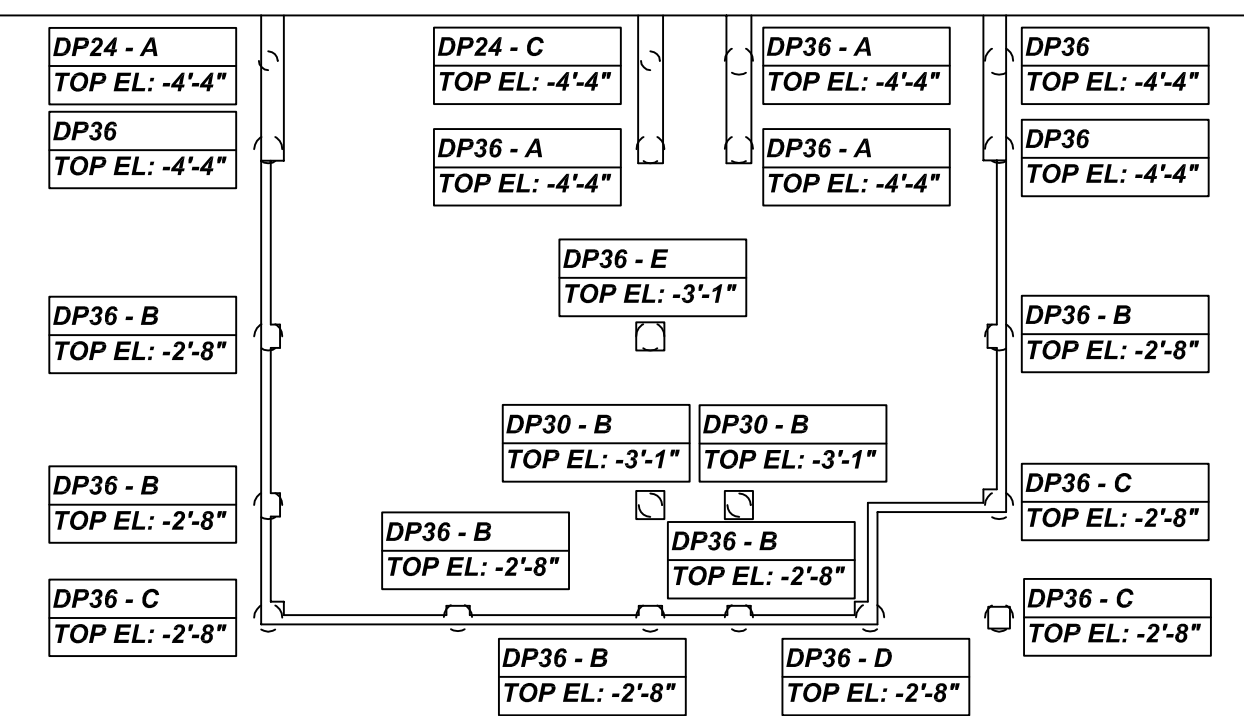


A/E PLEASE VERIFY THE COVER DETAILS

LAP SCHEDULE		
SIZE	3000 PSI	
	TOP	OTHERS
#3	28"	22"
#4	37"	29"
#5	47"	36"
#6	56"	43"
#7	81"	63"
#8	93"	72"
#9	105"	81"
#10	118"	91"
#11	131"	101"

TYPICAL REINFORCING BAR CLEARANCE TABLE	
LOCATION	MIN. COVER
DRILLED PIER BOTTOM & SIDE	3" CLR
DRILLED PIER TOP	2" CLR

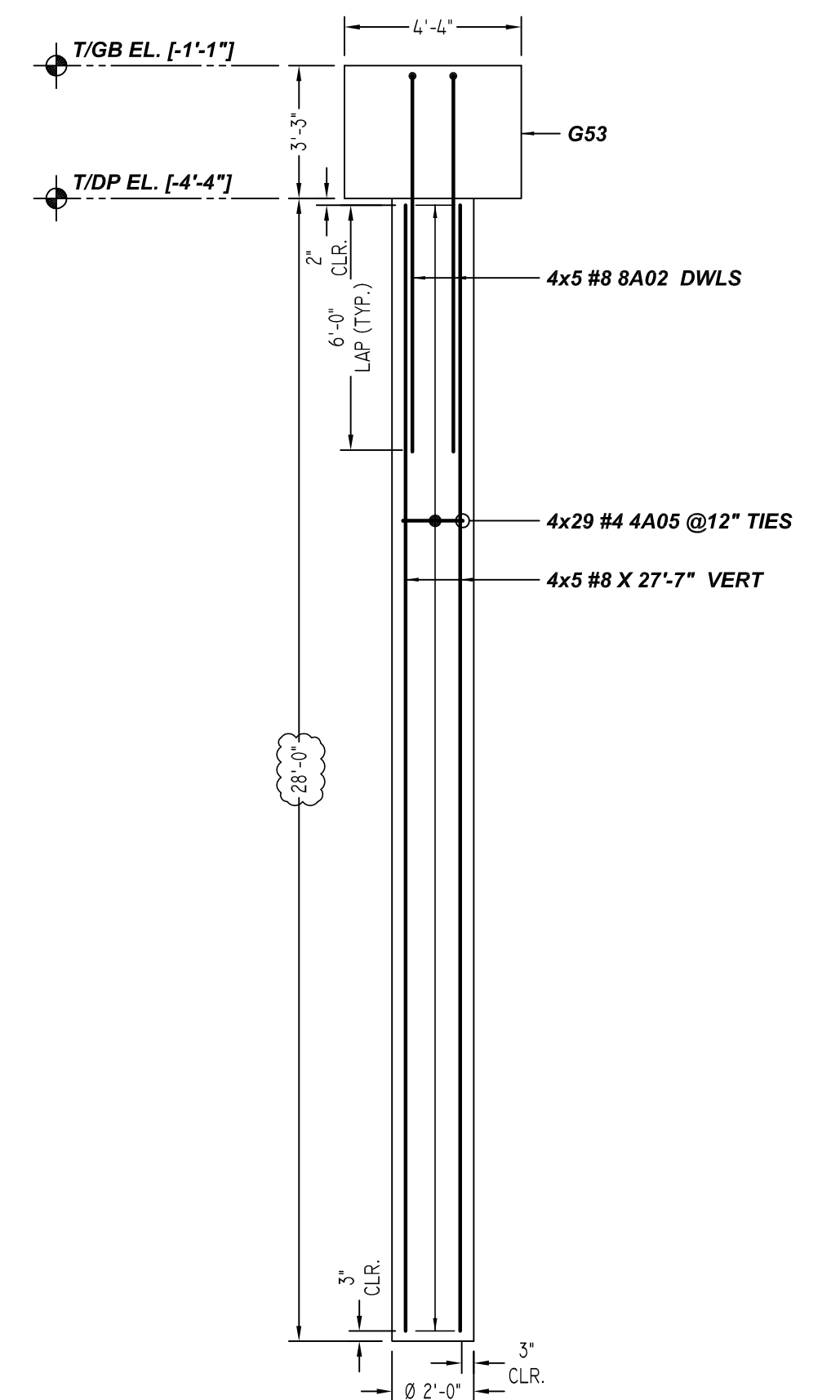
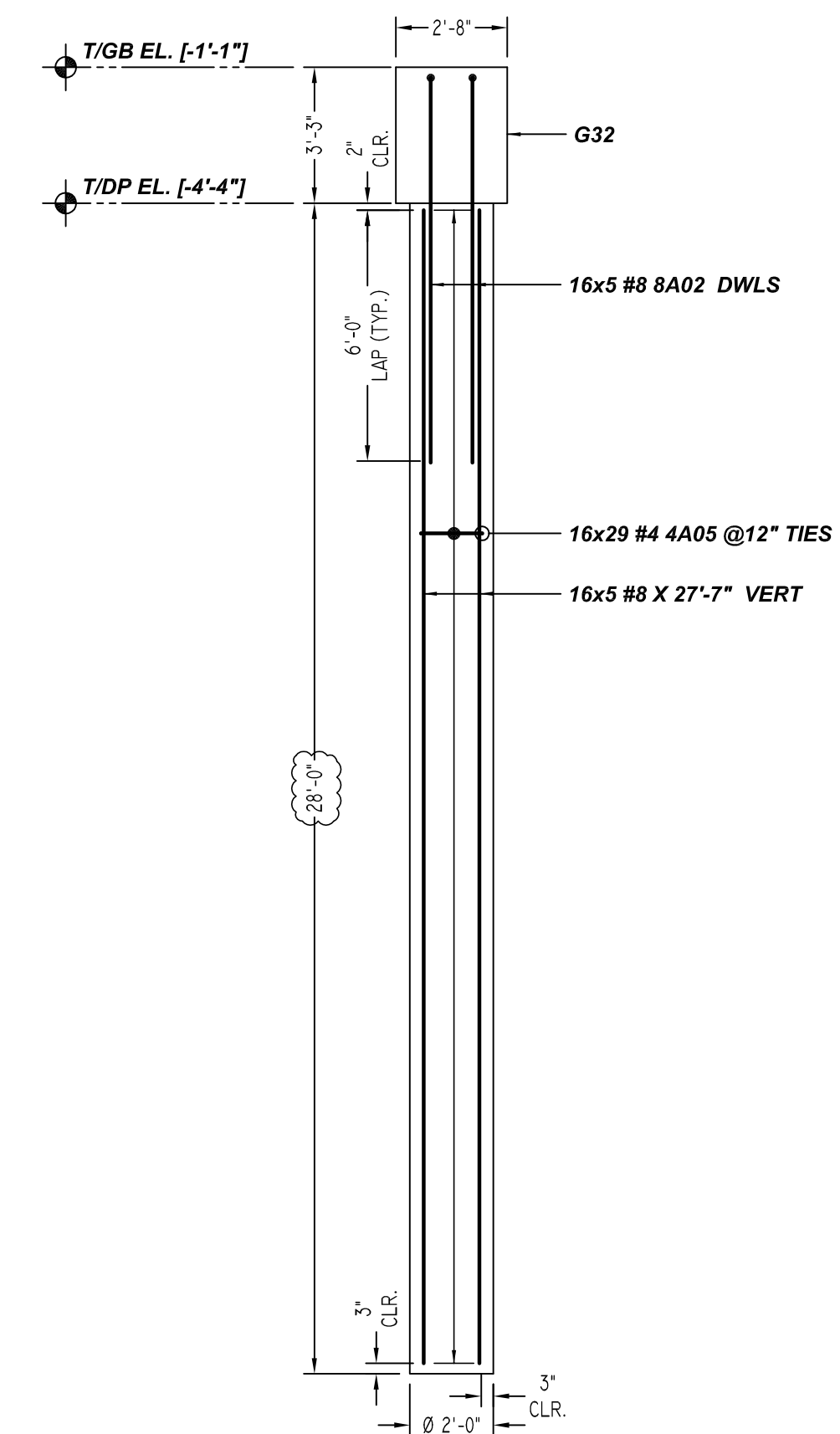
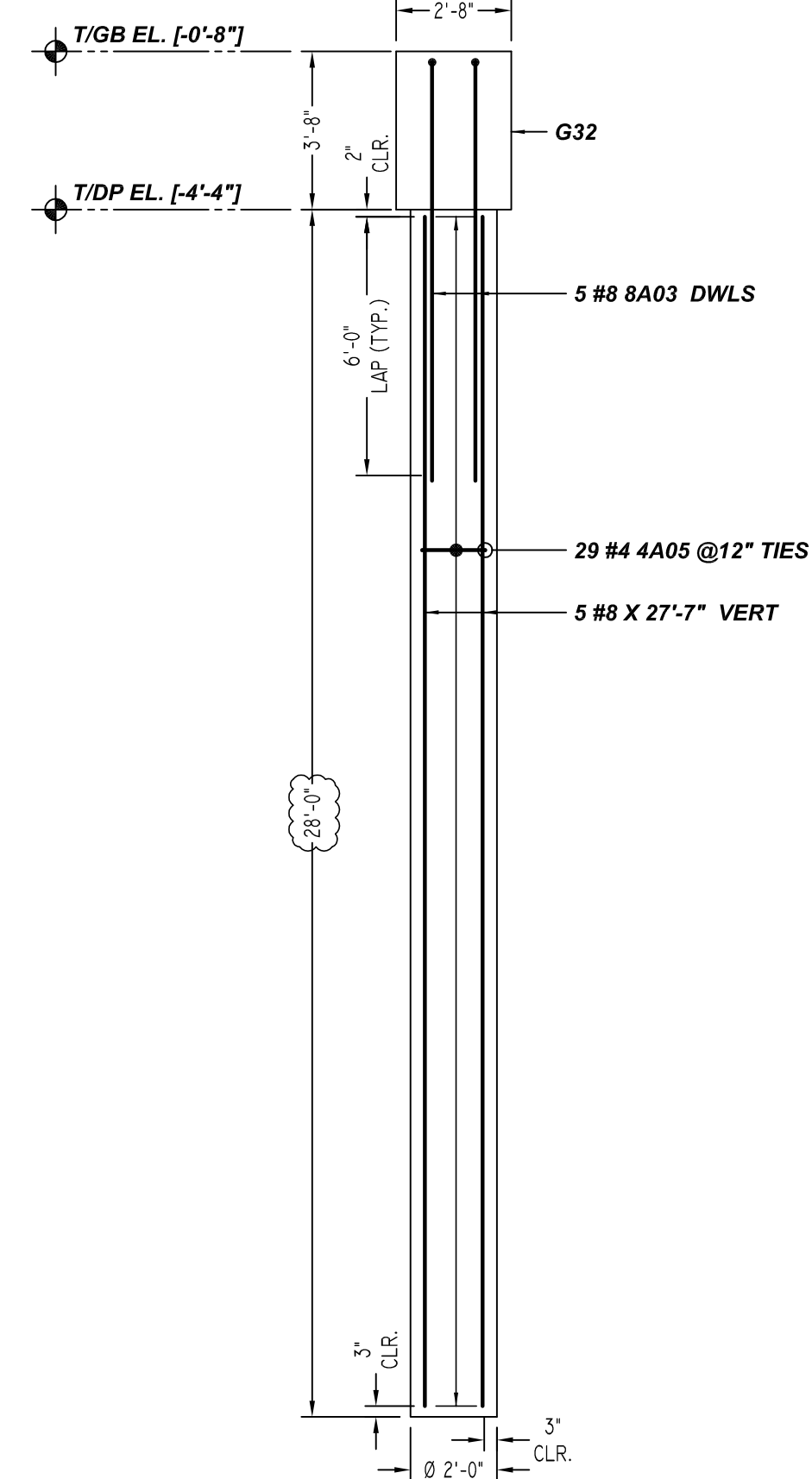
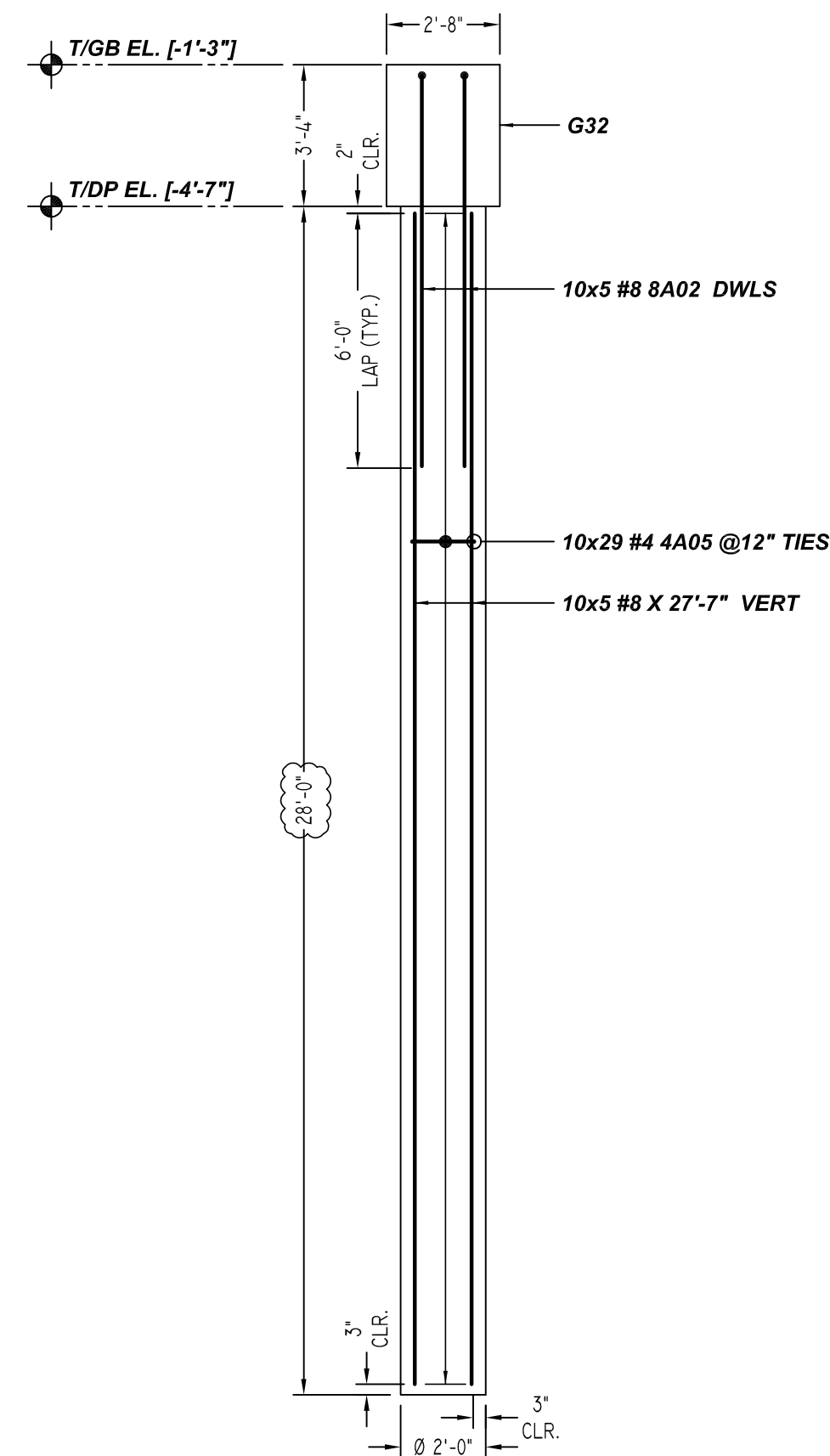
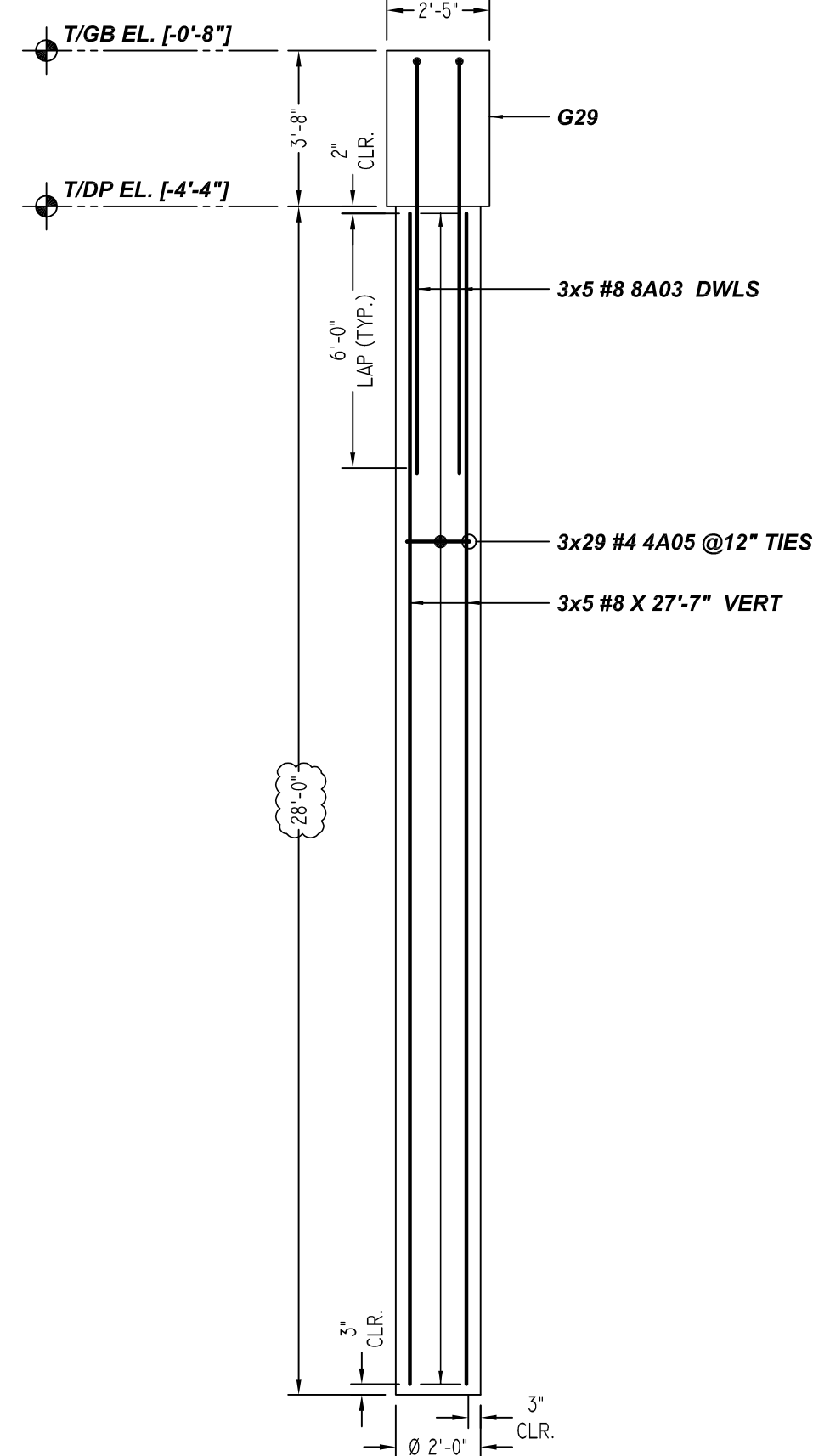
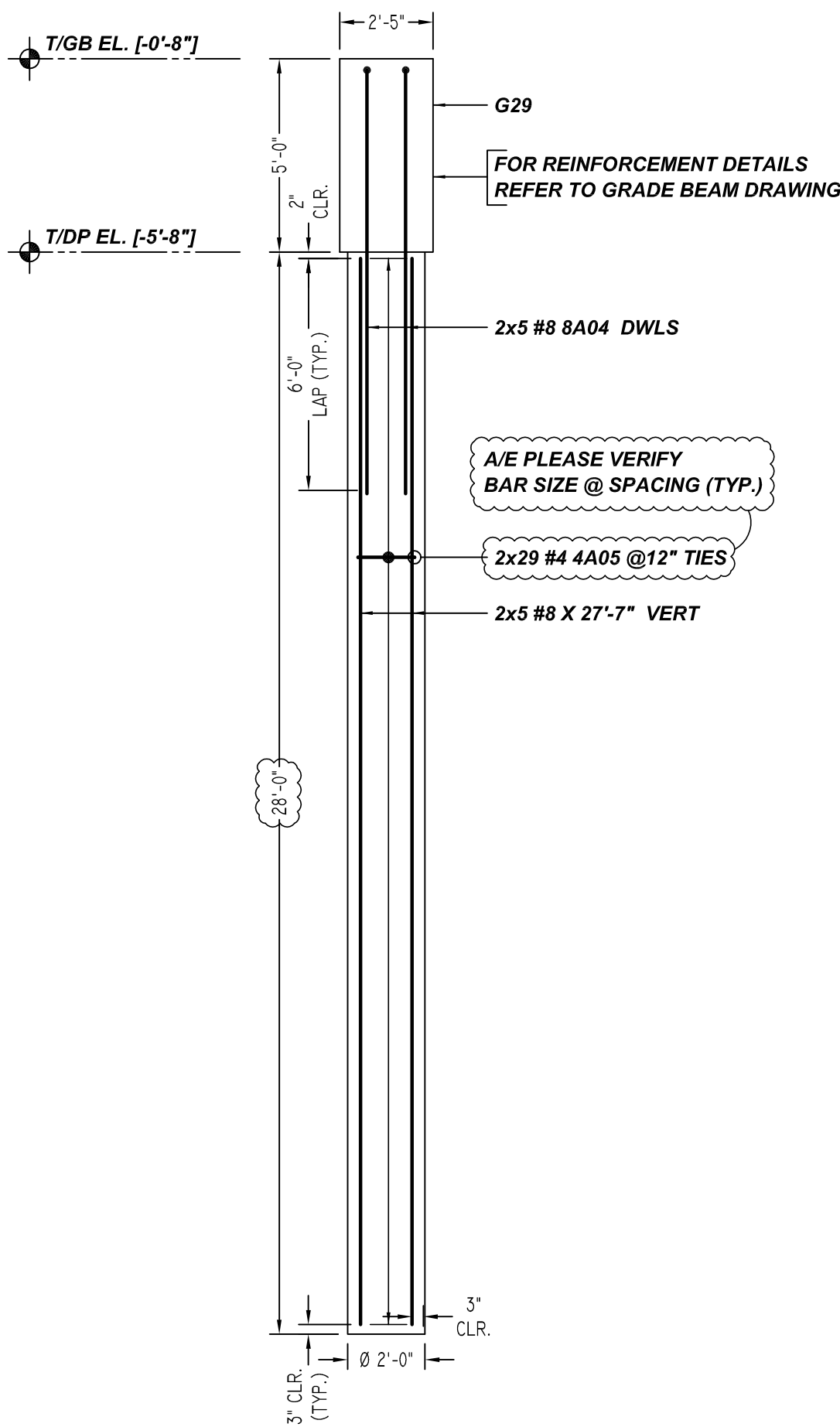
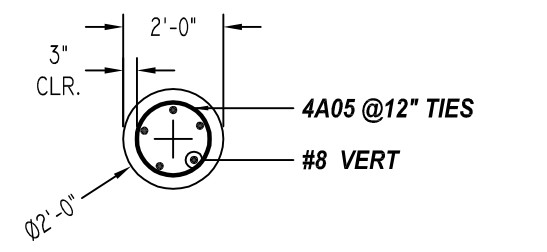
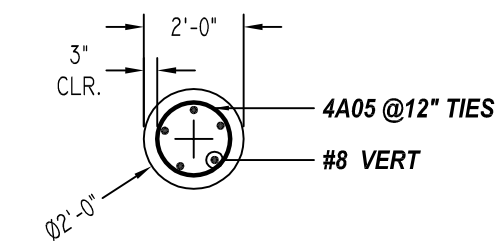
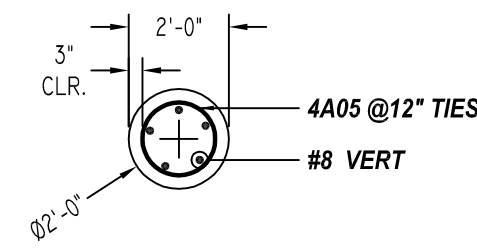
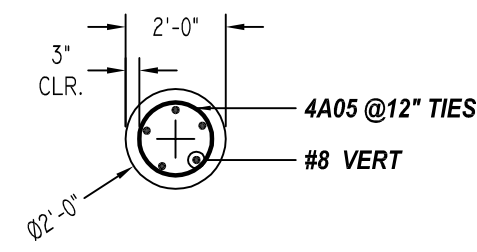
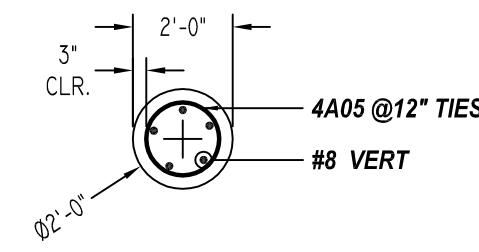
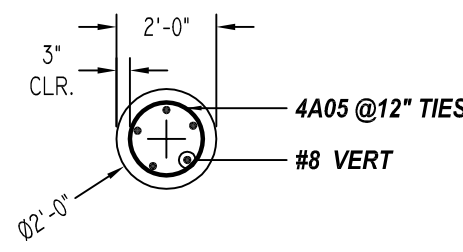
**ALL BARS IN THIS DRAWING
ASTM A615 GRADE 60
BLACK UNCOATED**



DRILLED PIER REINFORCEMENT DETAILS
SCALE - NTS.
REF: S1.1 & S4.1

aSa
APPLIED SYSTEMS ASSOCIATES, INC.
5270 LOGAN FERRY RD
MURRYSVILLE, PA 15668
PHONE: (412) 733-8700
FAX: (412) 325-5553

GRADE	60 A615		
PREFIX			
BAR LIST NOS.			
MK	REVISION	DATE	PRINT RECORD
0	FOR APPROVAL	08/05/21	NO. TO FOR DATE
PRAIRIE DOG PROCESSING ABILENE, TX 79603 DRILLED PIER REINFORCEMENT DETAILS			
CUSTOMER BONTKE BROTHERS			
ARCHT. PRIMUS BUILDERS, INC.			
ENGR. ANTHONY D. OOTEN, P.E.			
DRAWN	CHECKED	DATE	CONTR. NO.
MET/BCS	BCS	08/05/2021	A1-2117
			DWG. NO.
			R1.001



(@ 2 LOCATIONS)
DRILLED PIER - DP24
 SCALE - 1/4"=1'-0"
 REF:S1.1 & S4.1
 GRID: F/1.1x2

(@ 3 LOCATIONS)
DRILLED PIER - DP24 - A
 SCALE - 1/4"=1'-0"
 REF:S1.1 & S4.1
 GRID: (F/10.9x2) & Z.9/3.7

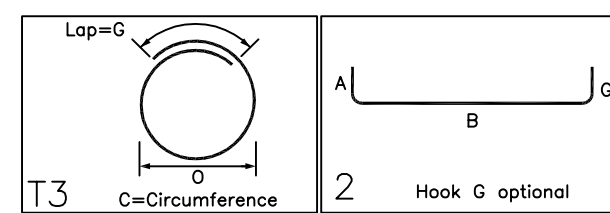
(@ 10 LOCATIONS)
DRILLED PIER - DP24 - B
 SCALE - 1/4"=1'-0"
 REF:S1.1 & S4.1
 GRID: (F/2.3x2), (F/2.8x2), (F/3.4x2)
 (F/3.9x2) & (F/4.4x2)

(@ 16 LOCATIONS)
DRILLED PIER - DP24 - D
 SCALE - 1/4"=1'-0"
 REF:S1.1 & S4.1
 GRID: (F/5.6x2), (F/6.2x2), (F/6.7x2)
 (F/7.6x2), (F/7.9x2), (F/8.6x2)
 (F/10x2) & (F/9.8x2)

(@ 4 LOCATIONS)
DRILLED PIER - DP24 - E
 SCALE - 1/4"=1'-0"
 REF:S1.1 & S4.1
 GRID: (F/8.8, 8.9x2) & (F/9.6, 9.7x2)

Release Number: R1.002

Bar Mark	Qty	Size	Total Length	Type	X'	Y'	Z'	X''	Y''	Z''	X'''	Y'''	Z'''
4A05	1044	#4	6'-8.8"	13			4'-8.8"						2'-0"
8A02	150	#8	10'-7"	2	1'-4"	9'-3"							1'-8"
8A03	20	#8	11'-1"	2	1'-4"	9'-9"							
8A4	10	#8	12'-4"	2	1'-4"	11'-0"							

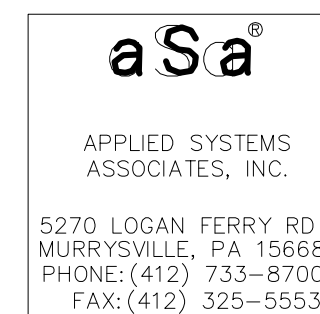


SIZE	3000 PSI	
	TOP	OTHERS
#3	28"	22"
#4	37"	29"
#5	47"	36"
#6	56"	43"
#7	81"	63"
#8	93"	72"
#9	105"	81"
#10	118"	91"
#11	131"	101"

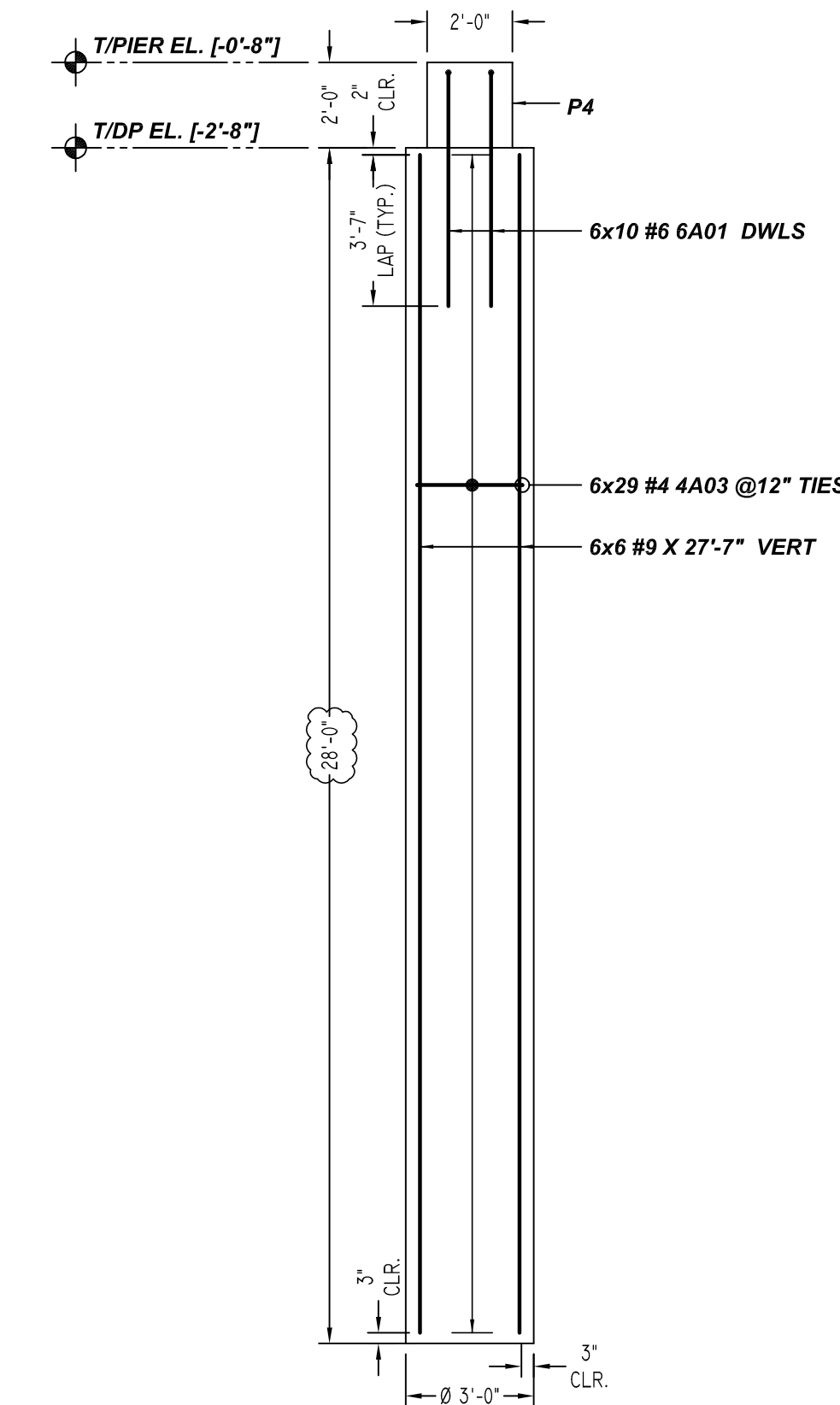
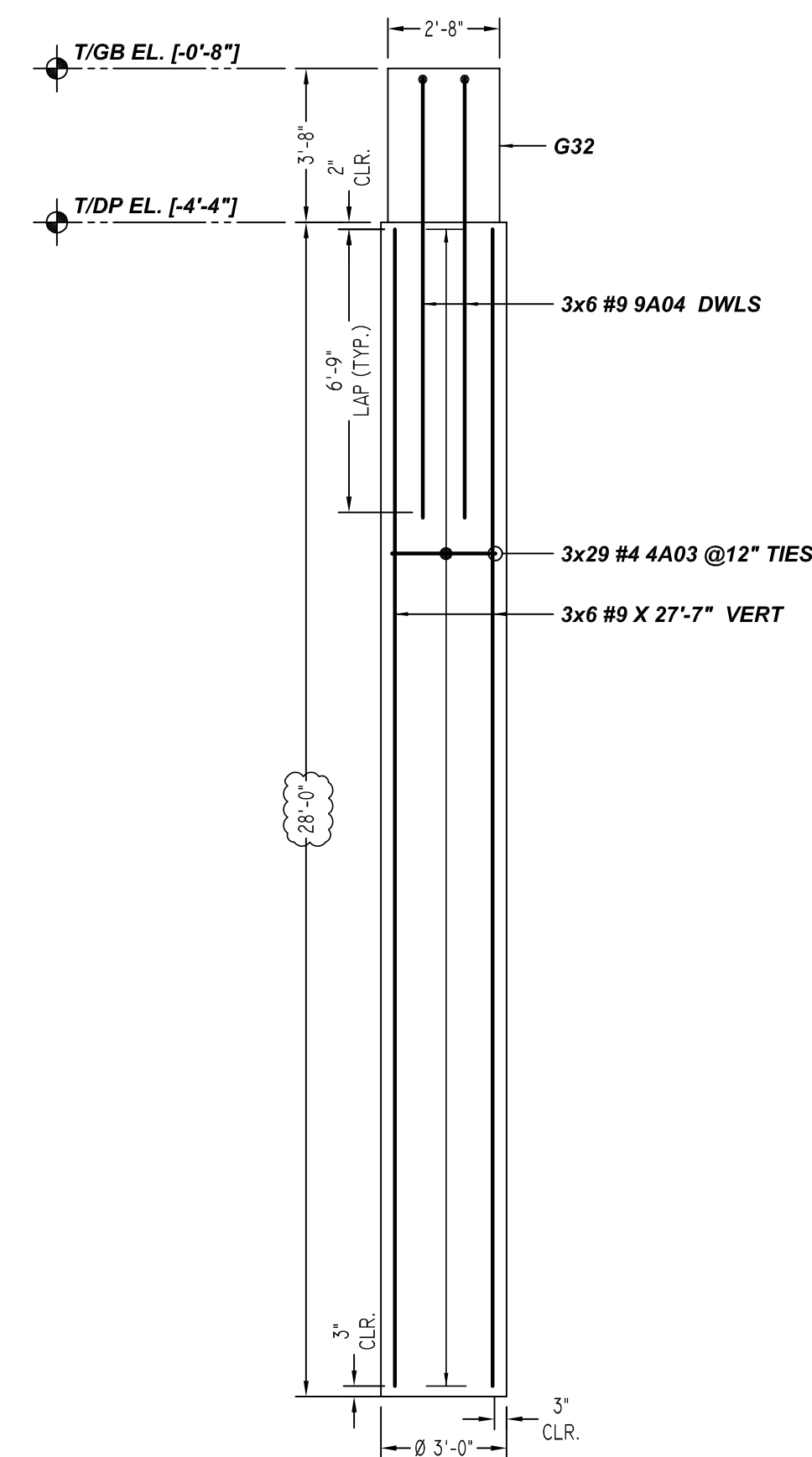
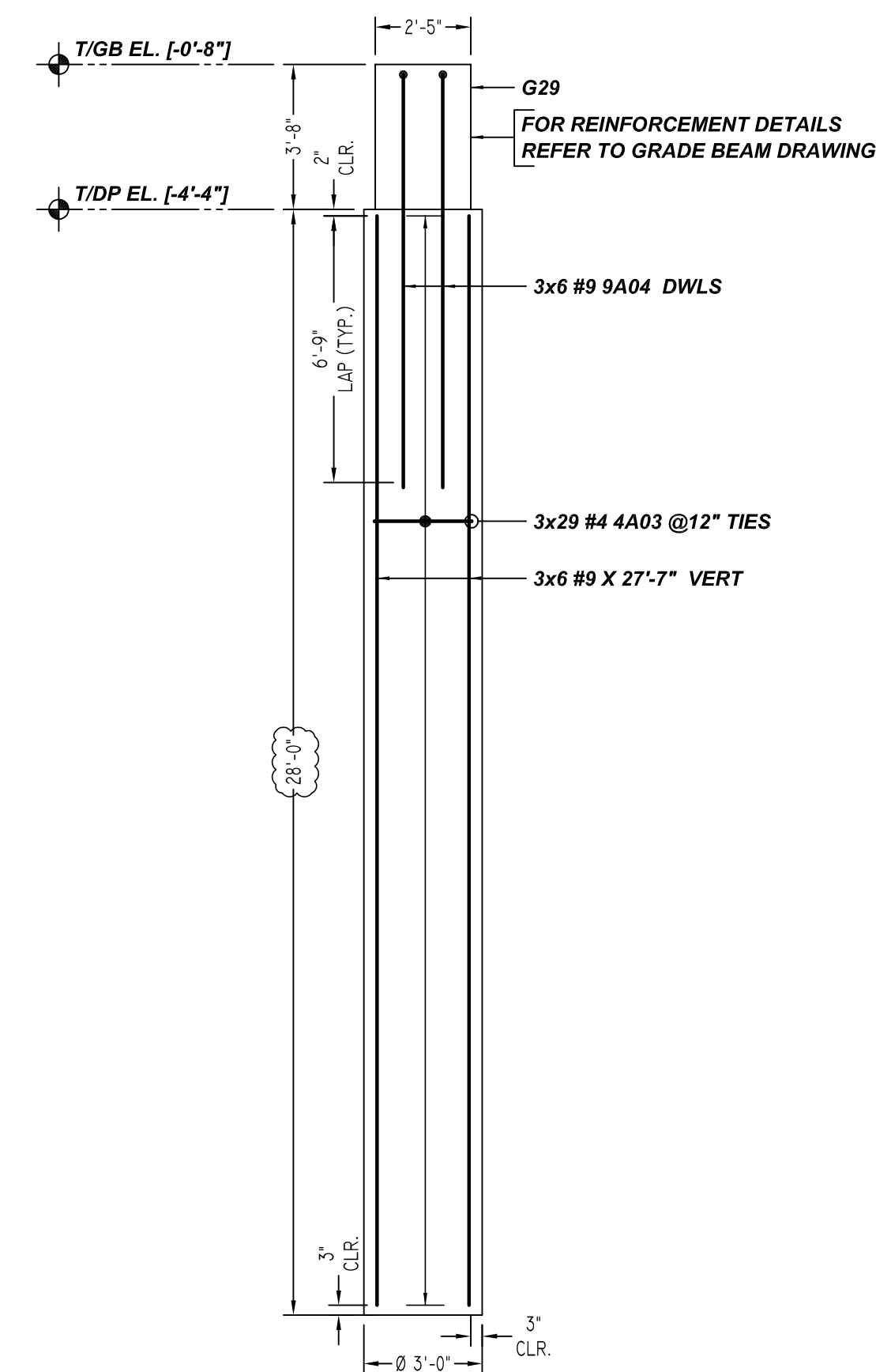
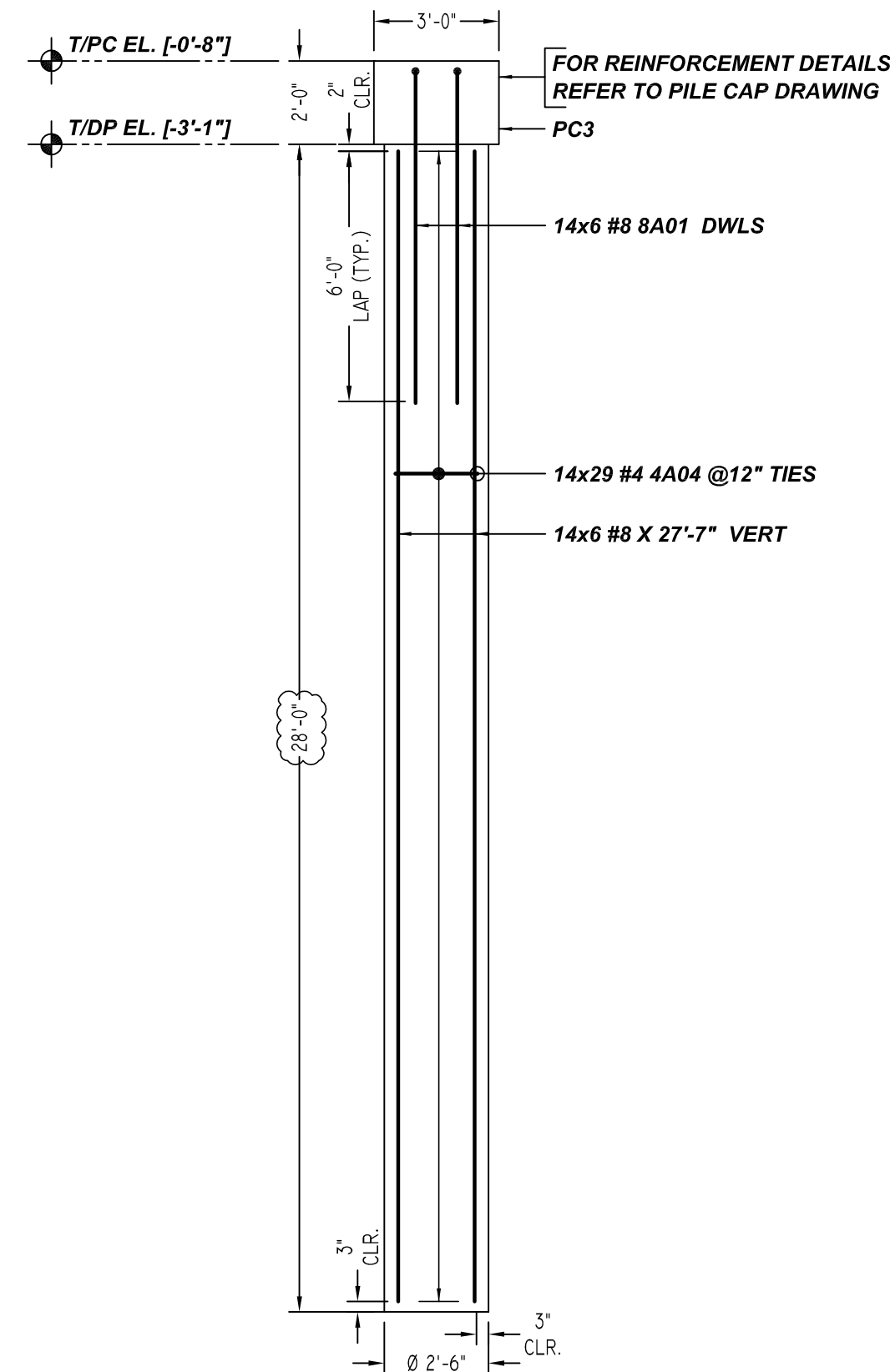
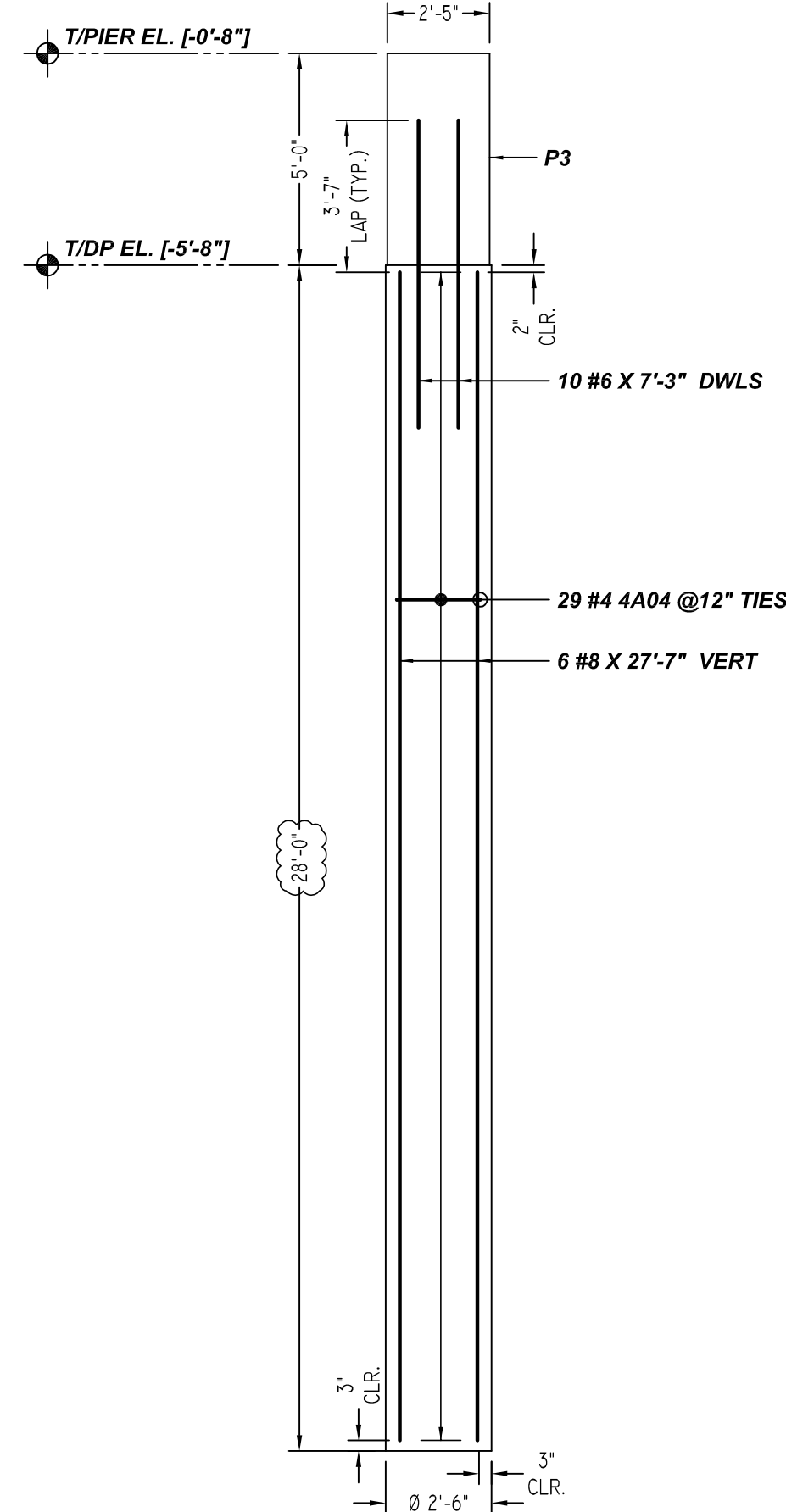
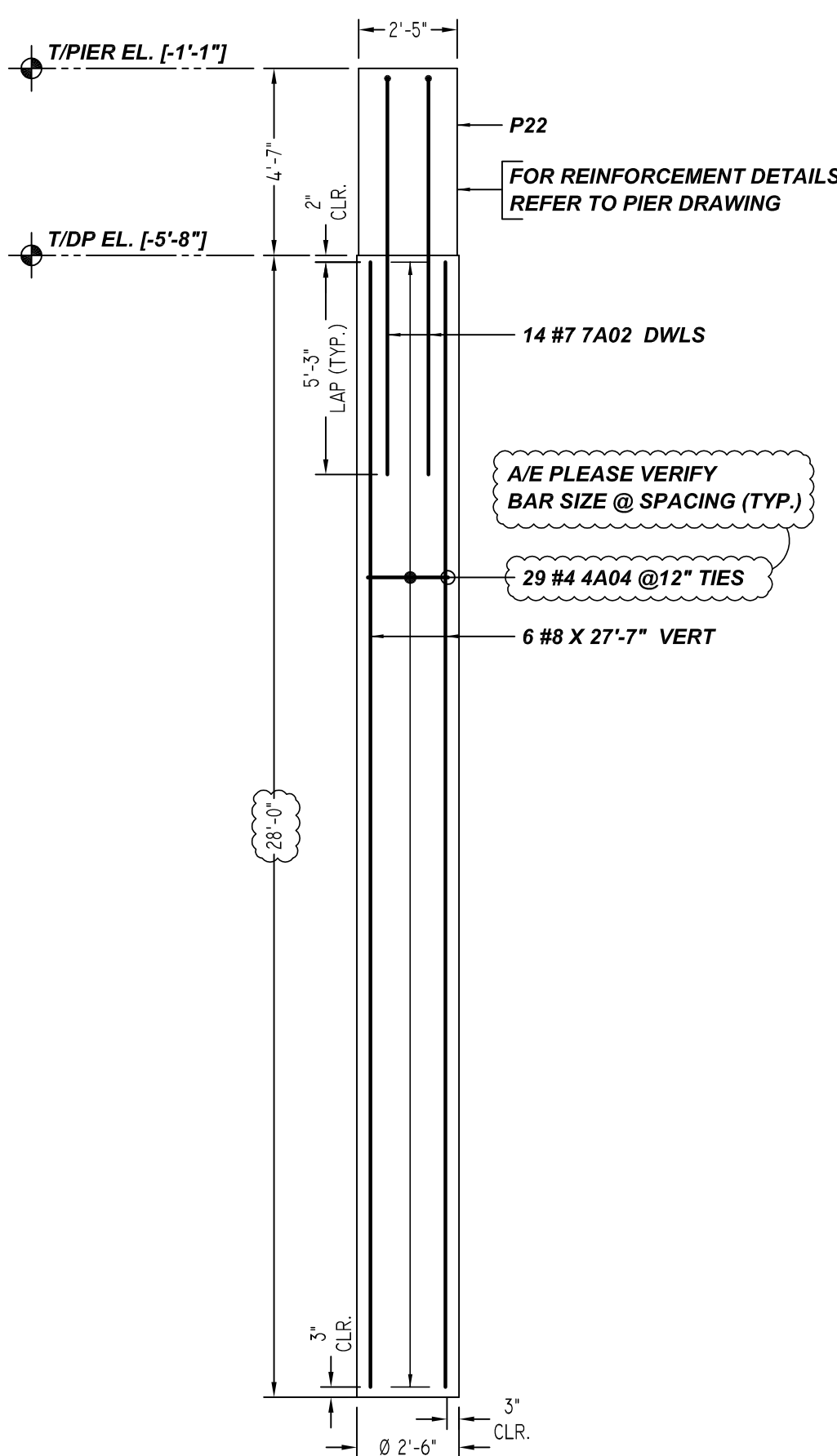
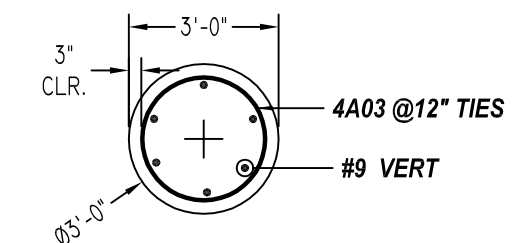
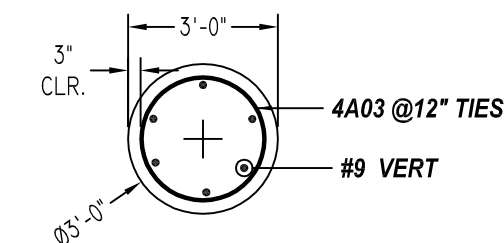
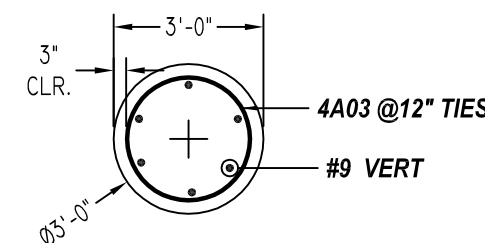
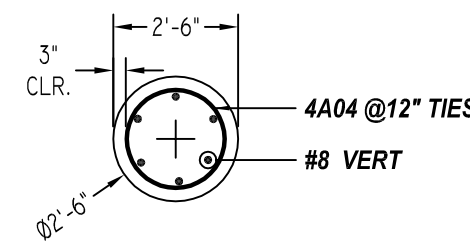
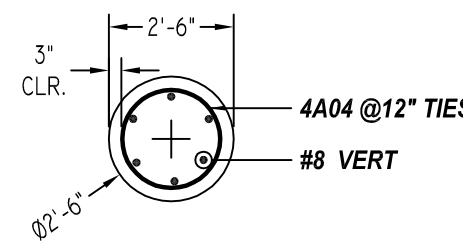
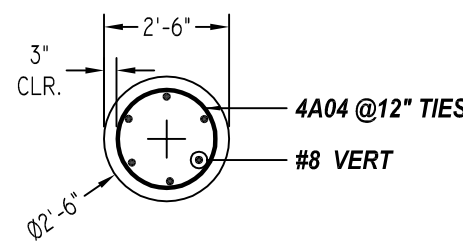
**ALL BARS IN THIS DRAWING
 ASTM A615 GRADE 60
 BLACK UNCOATED**

TYPICAL REINFORCING BAR CLEARANCE TABLE	
LOCATION	MIN. COVER
DRILLED PIER BOTTOM & SIDE	3" CLR
DRILLED PIER TOP	2" CLR

A/E PLEASE VERIFY THE COVER DETAILS



GRADE	60 A615		
PREFIX			
BAR LIST NOS.			
MK	REVISION	DATE	PRINT RECORD
0	FOR APPROVAL	08/05/21	NO. TO FOR DATE
PRAIRIE DOG PROCESSING ABILENE, TX 79603 DRILLED PIER REINFORCEMENT DETAILS			
CUSTOMER BONTKE BROTHERS			
ARCHT. PRIMUS BUILDERS, INC.			
ENGR. ANTHONY D. OOTEN, P.E.			
DRAWN	CHECKED	DATE	CONTR. NO. DWG. NO.
MET/BCS	BCS	08/05/2021	A1-2117 R1.002



DRILLED PIER - DP30

SCALE - 1/4"=1'-0"
REF:S1.1 & S4.1
GRID: J.5/8.9

DRILLED PIER - DP30 - A

SCALE - 1/4"=1'-0"
REF:S1.1 & S4.1
GRID: J.7/6

DRILLED PIER - DP30 - B

SCALE - 1/4"=1'-0"
REF:S1.1 & S4.1
GRID: (J/8.35), (H/5.6), (H/6), (H/6.7), (H/7.6), (H/8.35), (H/1.7, 1.8), (G/5.6), (G/6), (G/6.7), (G/7.6), (G/8.35), (X/4.3) & (X/4.6)

DRILLED PIER - DP36

SCALE - 1/4"=1'-0"
REF:S1.1 & S4.1
GRID: (Z/3.7), (Z/5.3x2)

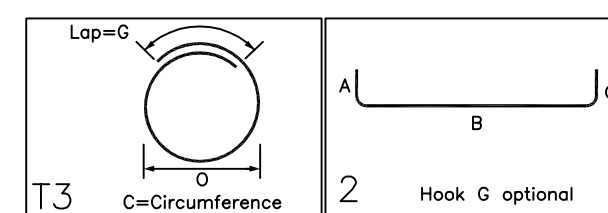
DRILLED PIER - DP36 - A

SCALE - 1/4"=1'-0"
REF:S1.1 & S4.1
GRID: (Z/4.6x2) & (Z/4.3)

DRILLED PIER - DP36 - B

SCALE - 1/4"=1'-0"
REF:S1.1 & S4.1
GRID: (Y/3.7), (Y/5.3), (X/3.7), (W/4.2), (W/4.3) & (W/4.6)

Bar Mark	Qty	Size	Total Length	Type	X	Y	Z	W	V	U	T	S	R	Q	P
4A03	348	#4	9'-10 X	T3											
4A04	464	#4	8'-3 X	T3											
6A01	80	#6	6'-10 1/2	2	1'-4"	5'-6"									
7A02	14	#7	11'-1 1/2	2	1'-4"	9'-9"									
8A01	84	#8	9'-4 1/2	2	1'-4"	8'-0"									
9A04	36	#9	11'-10 1/2	2	1'-4"	10'-6"									



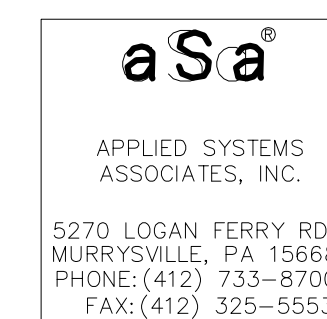
LAP SCHEDULE

SIZE	3000 PSI	
	TOP	OTHERS
#3	28"	22"
#4	37"	29"
#5	47"	36"
#6	56"	43"
#7	81"	63"
#8	93"	72"
#9	105"	81"
#10	118"	91"
#11	131"	101"

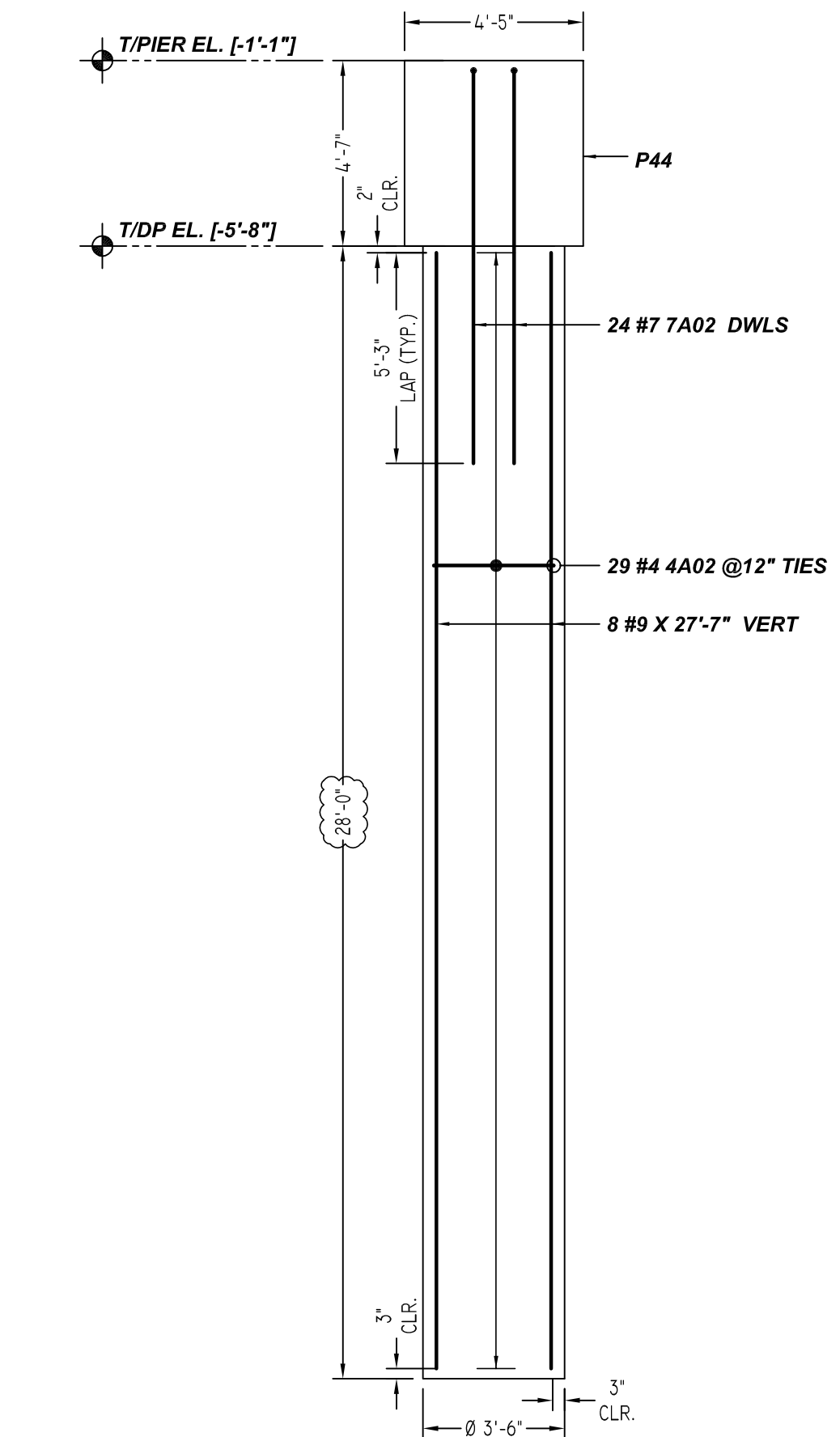
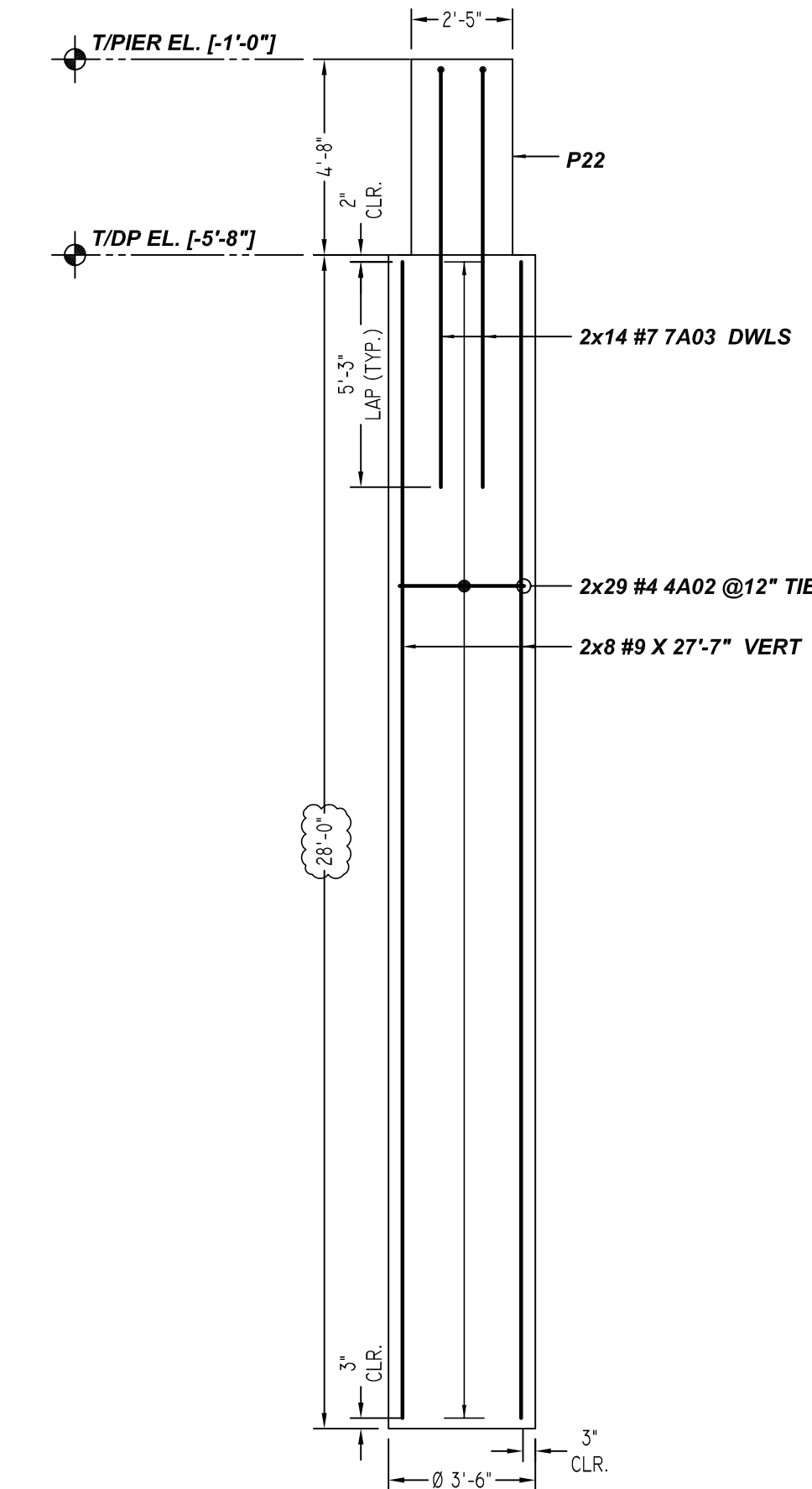
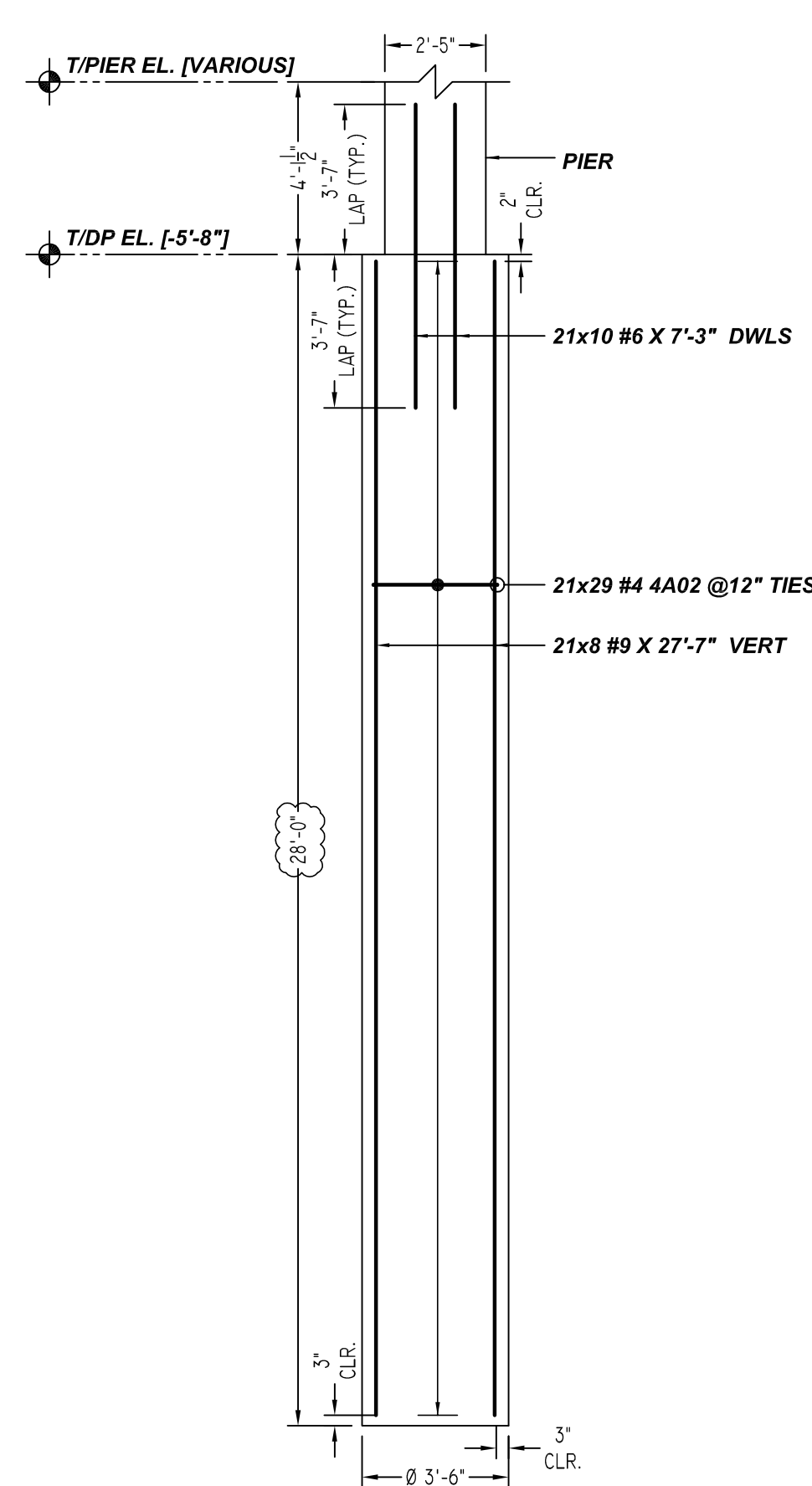
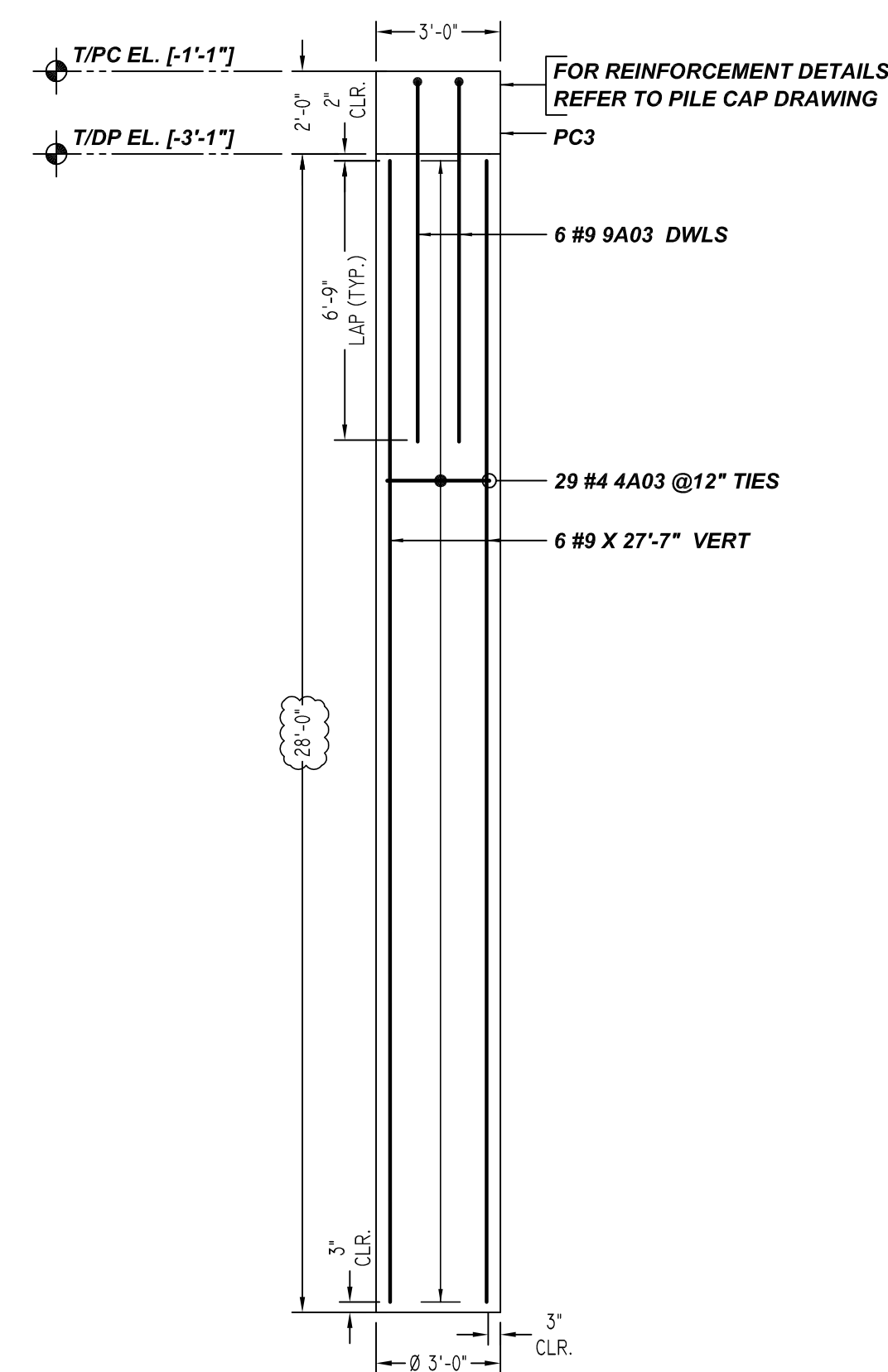
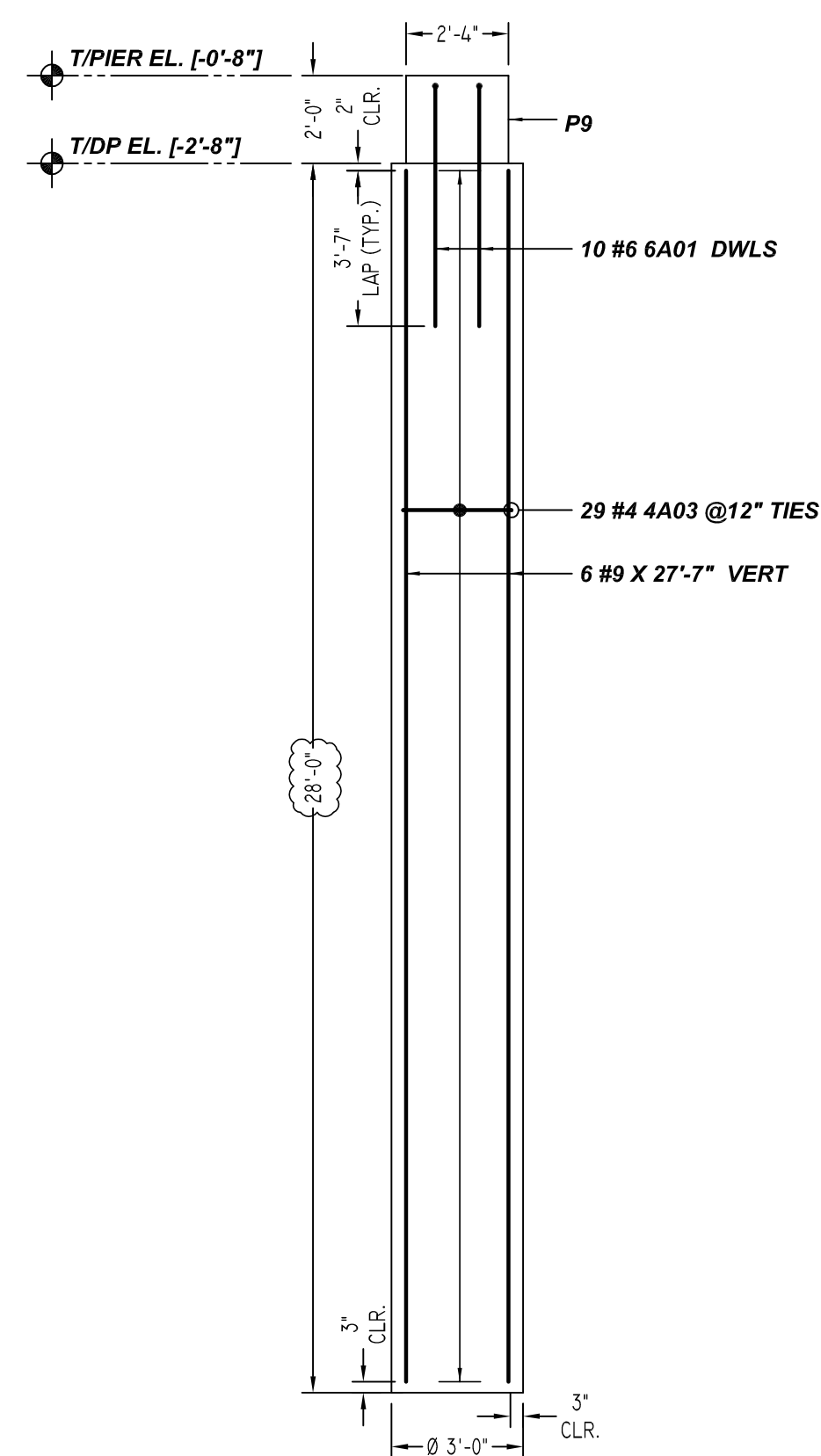
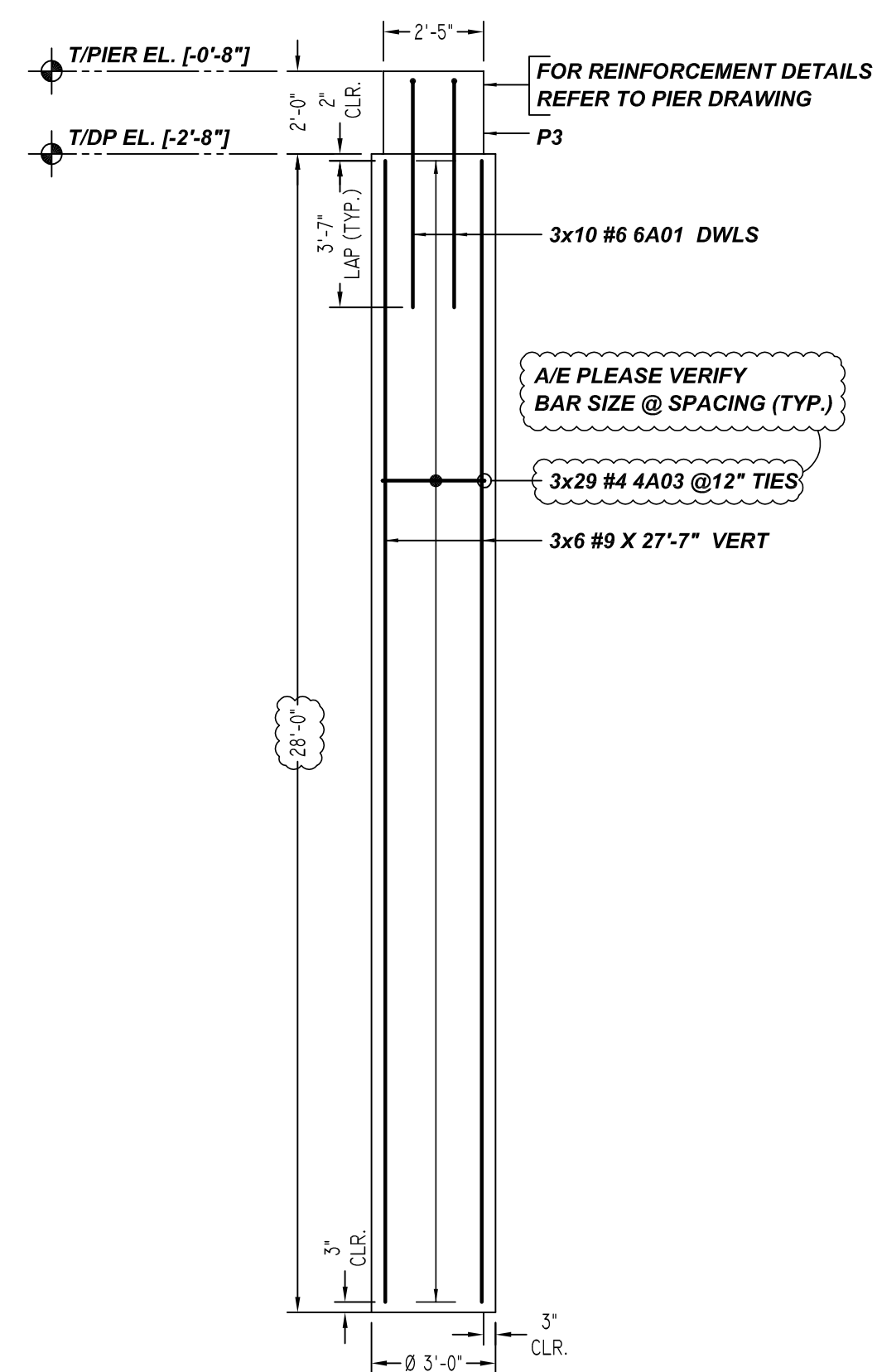
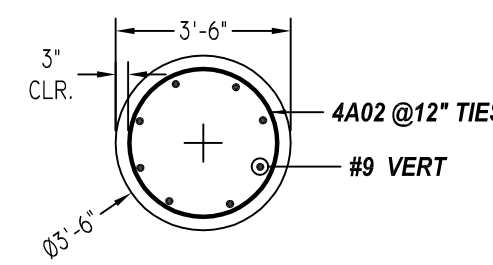
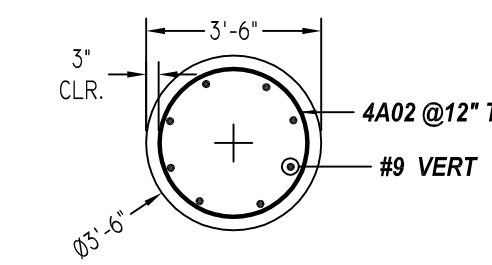
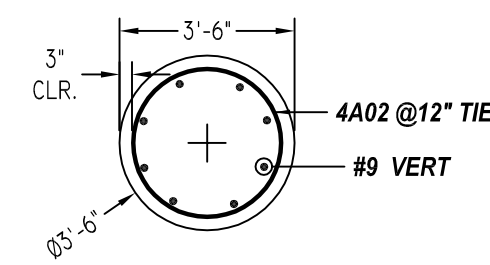
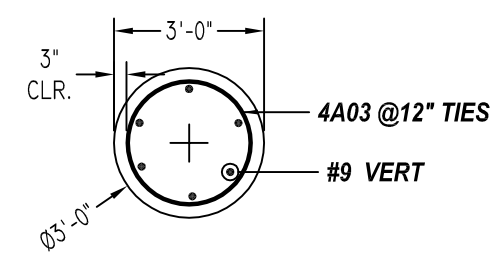
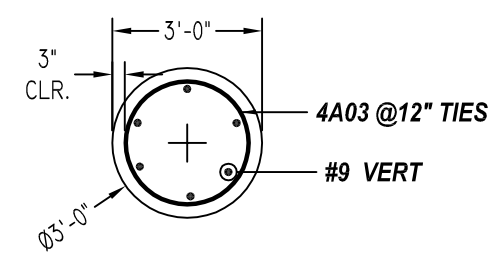
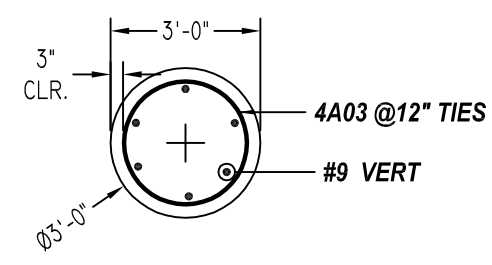
**ALL BARS IN THIS DRAWING
ASTM A615 GRADE 60
BLACK UNCOATED**

TYPICAL REINFORCING BAR CLEARANCE TABLE	
LOCATION	MIN. COVER
DRILLED PIER BOTTOM & SIDE	3" CLR
DRILLED PIER TOP	2" CLR

A/E PLEASE VERIFY THE COVER DETAILS



GRADE	60 A615		
PREFIX			
BAR LIST NOS.			
MK	REVISION	DATE	PRINT RECORD
0	FOR APPROVAL	08/05/21	NO. TO FOR DATE
PRAIRIE DOG PROCESSING ABILENE, TX 79603 DRILLED PIER REINFORCEMENT DETAILS			
CUSTOMER BONTKE BROTHERS			
ARCHT. PRIMUS BUILDERS, INC.			
ENGR. ANTHONY D. OOTEN, P.E.			
DRAWN	CHECKED	DATE	CONTR. NO. DWG. NO.
MET/BCS	BCS	08/05/2021	A1-2117 R1.003



(@ 3 LOCATIONS)
DRILLED PIER - DP36 - C
SCALE - 1/4"=1'-0"
REF:S1.1 & S4.1
GRID: (W5.3), (W3.7), (X/5.3)

DRILLED PIER - DP36 - D
SCALE - 1/4"=1'-0"
REF:S1.1 & S4.1
GRID: (W4.8)

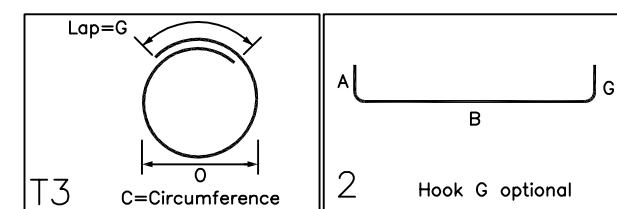
DRILLED PIER - DP36 - E
SCALE - 1/4"=1'-0"
REF:S1.1 & S4.1
GRID: (Y/4.3)

(@ 21 LOCATIONS)
DRILLED PIER - DP42
SCALE - 1/4"=1'-0"
REF:S1.1 & S4.1
GRID: (J/1.1), (J/6/5.2), (J/6/5.8), (J/2.3), (J/2.9), (J/3.4), (J/3.9), (J/4.4), (J/5.8), (J/6), (J/6.7), (J/7.1), (F/7.1.1), (K/7.6), (K/8.8), (K/8.3), (H/4/10.9), (G/5/10.9), (F/6/10.9), (G/7.1.1) & (H/7.1.1)

(@ 2 LOCATIONS)
DRILLED PIER - DP42 - A
SCALE - 1/4"=1'-0"
REF:S1.1 & S4.1
GRID: (J/1.7) & (J/5.1)

DRILLED PIER - DP42 - B
SCALE - 1/4"=1'-0"
REF:S1.1 & S4.1
GRID: (J/5/9.6)

Bar Mark	Qty	Size	Total Length	Type	X'	Y'	Z'	U'	V'	W'	X'	Y'	Z'	U'	V'	W'
4A02	696	#4	11'-5"	T3												
4A03	145	#4	9'-10"	T3												
6A01	40	#6	6'-10"	2	1'-4"	5'-6"										
7A02	24	#7	11'-1"	2	1'-4"	9'-9"										
7A03	28	#7	11'-4"	2	1'-4"	10'-0"										
9A03	8	#9	10'-1"	2	1'-4"	8'-9"										

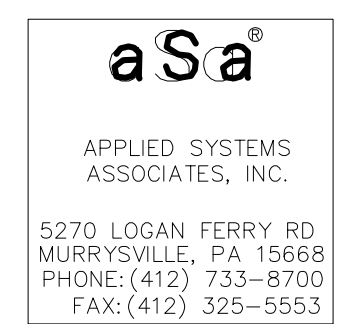


SIZE	3000 PSI	
	TOP	OTHERS
#3	28"	22"
#4	37"	29"
#5	47"	36"
#6	56"	43"
#7	81"	63"
#8	93"	72"
#9	105"	81"
#10	118"	91"
#11	131"	101"

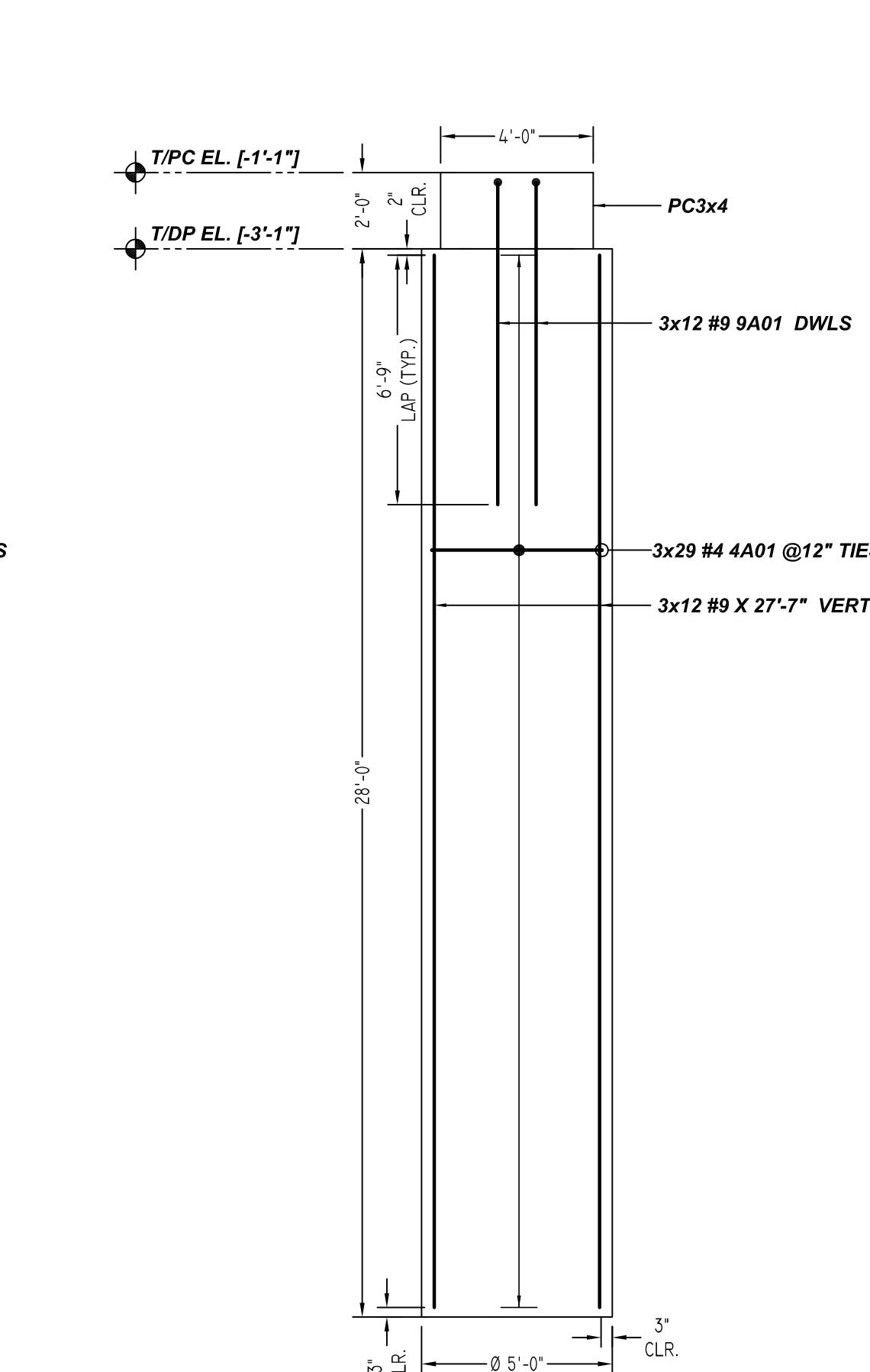
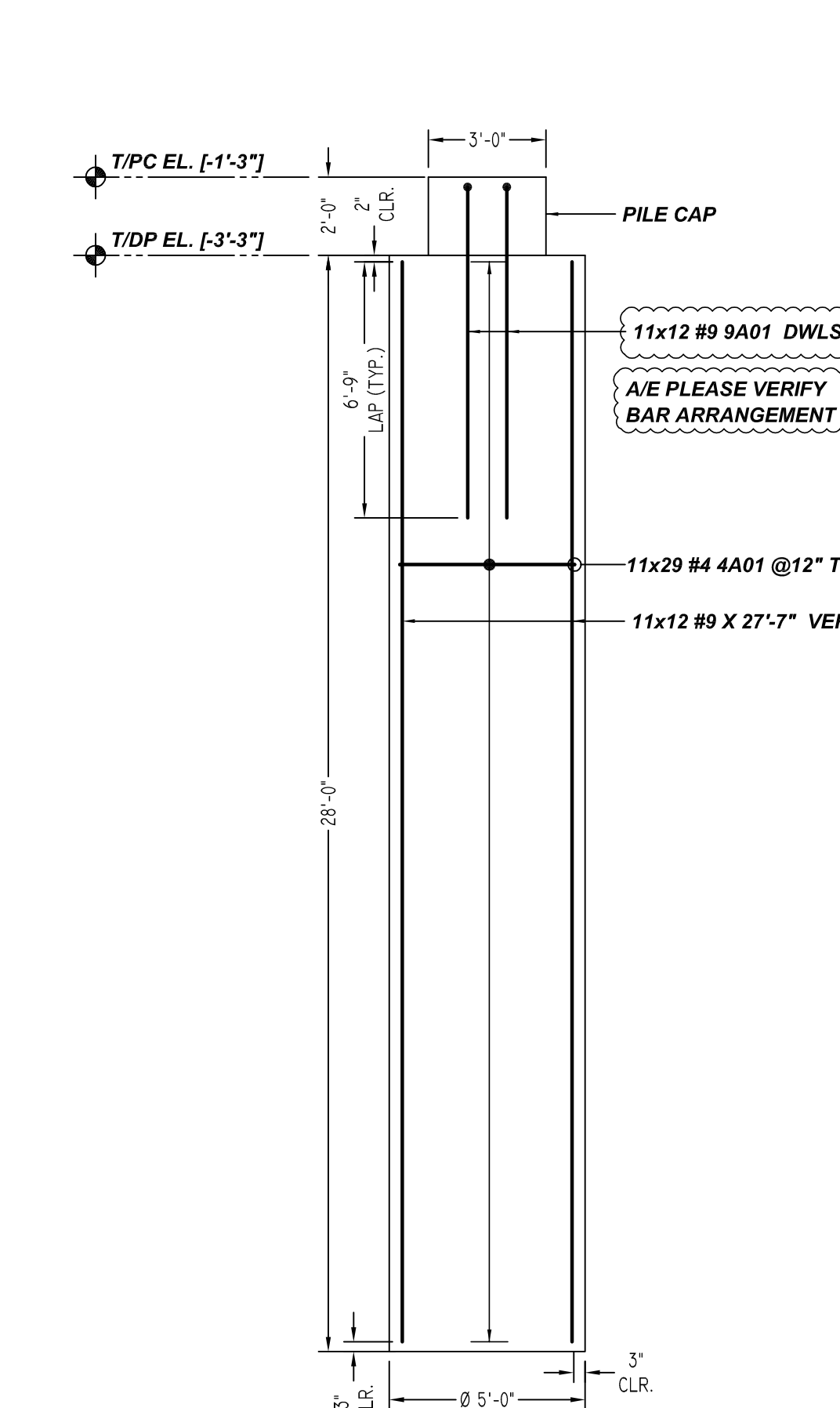
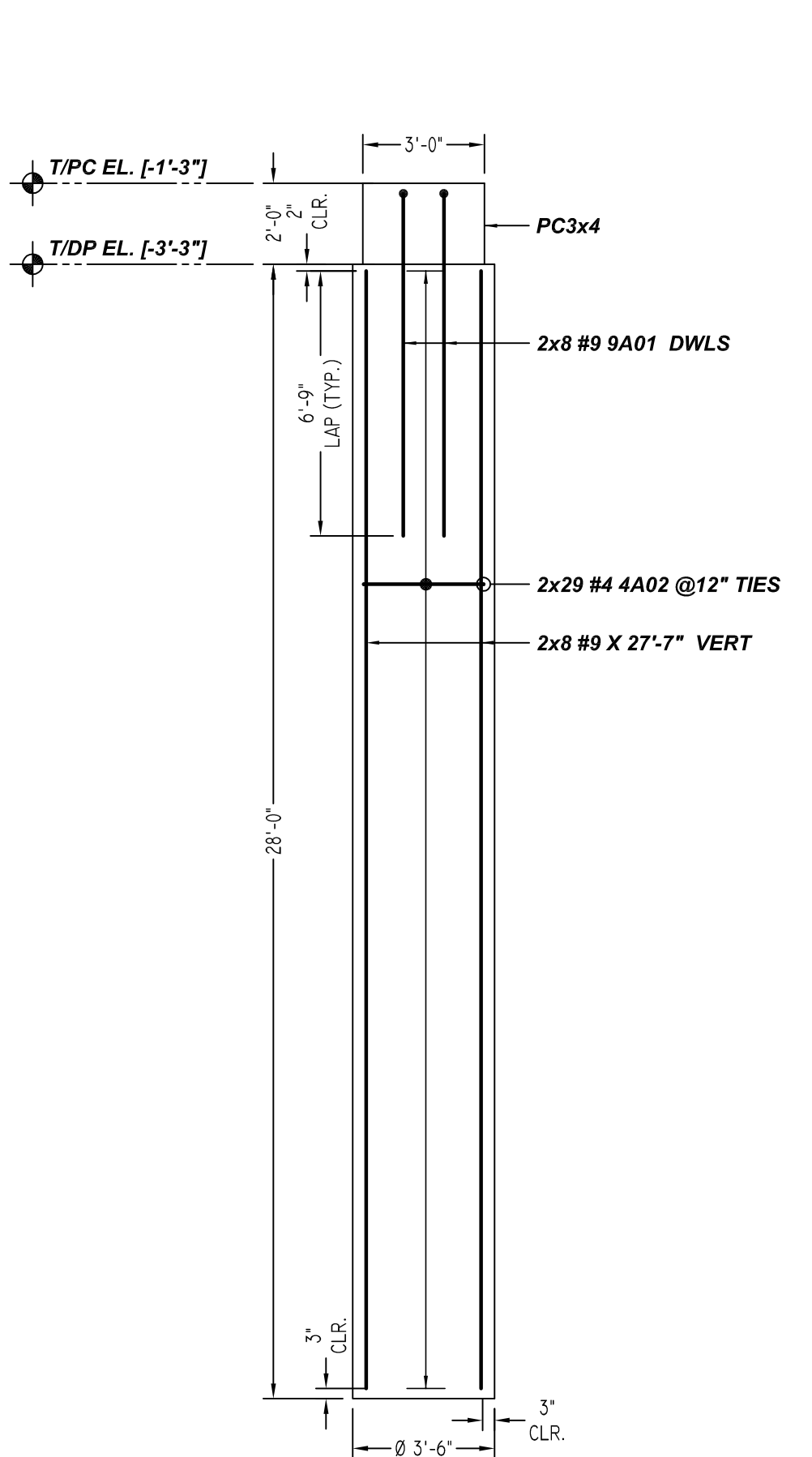
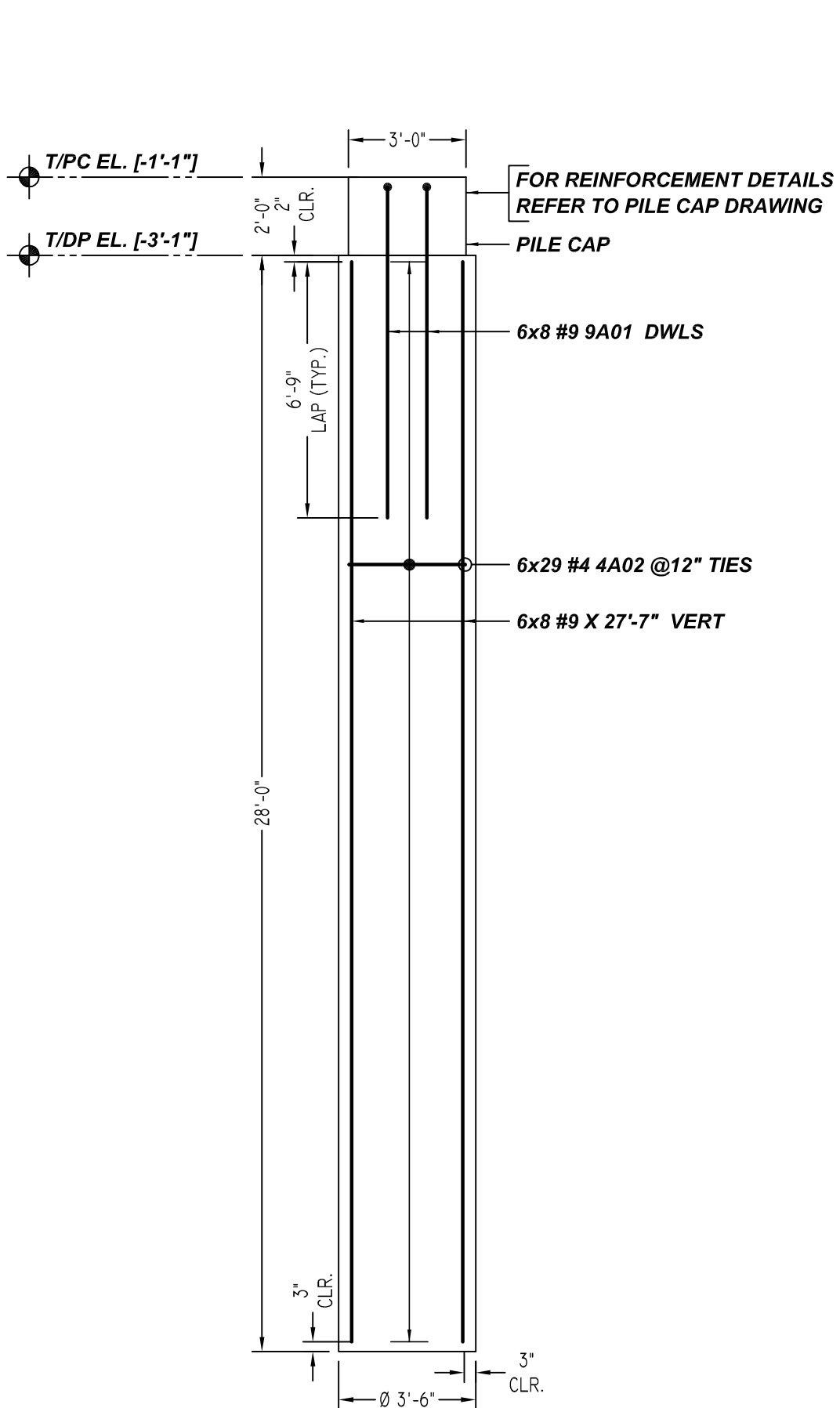
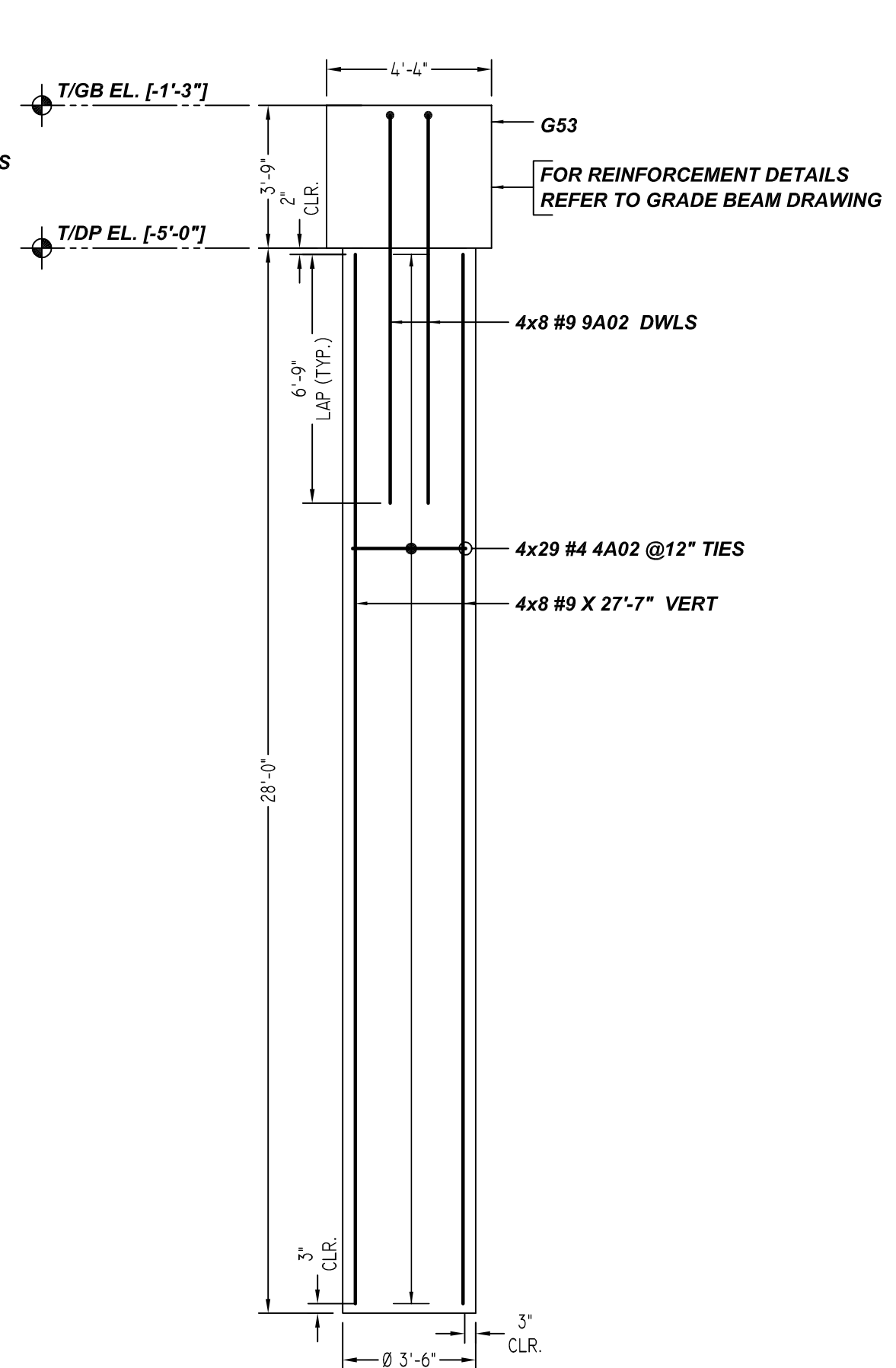
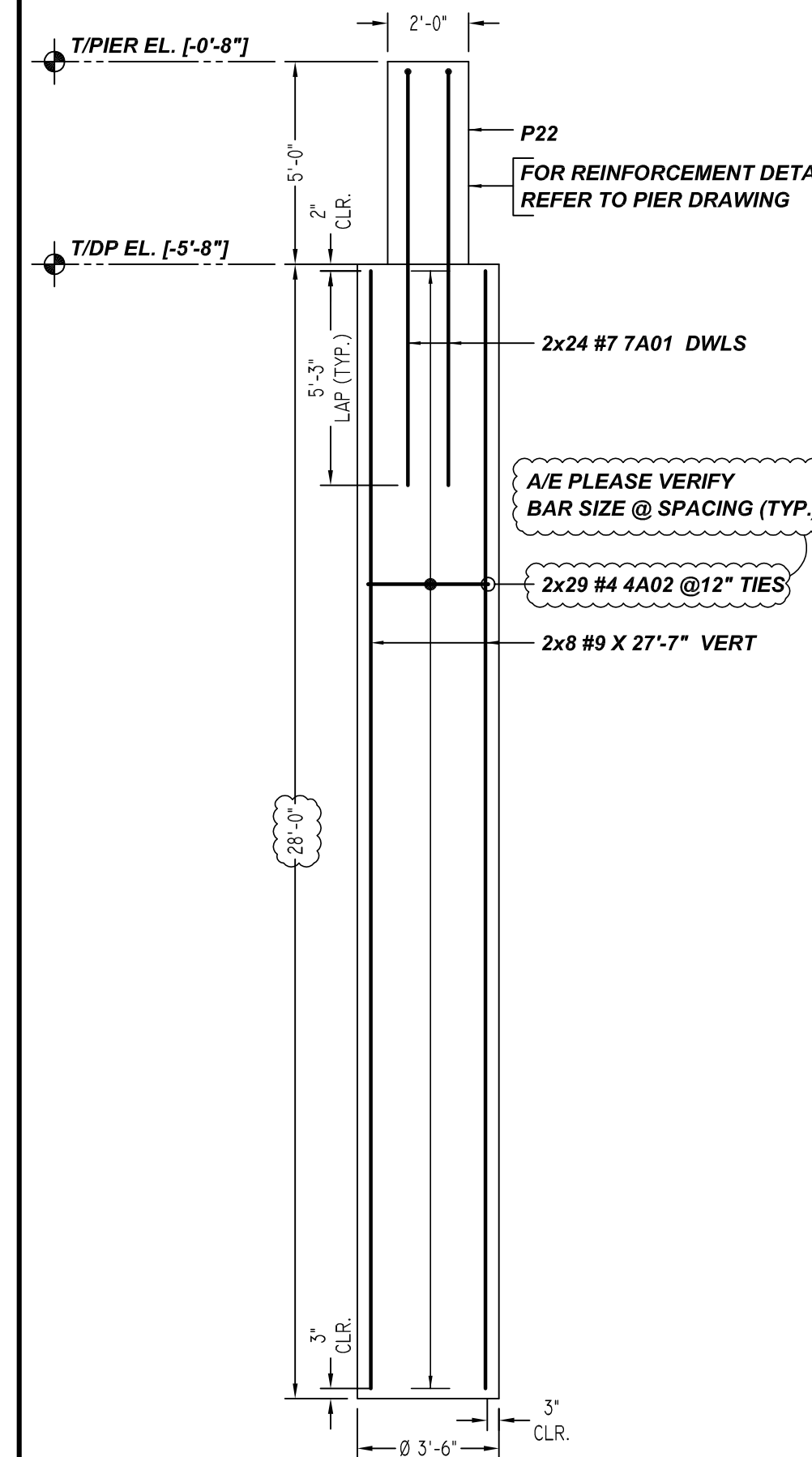
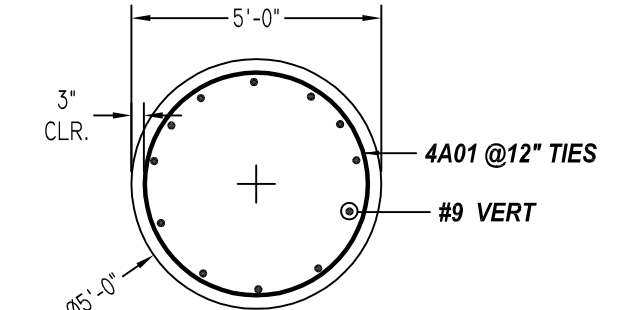
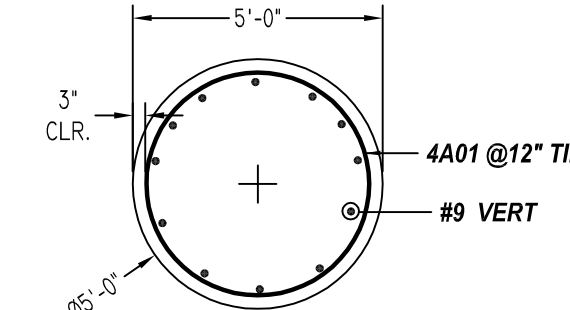
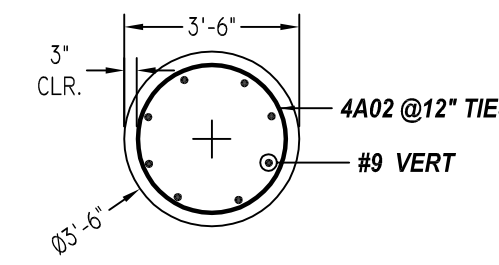
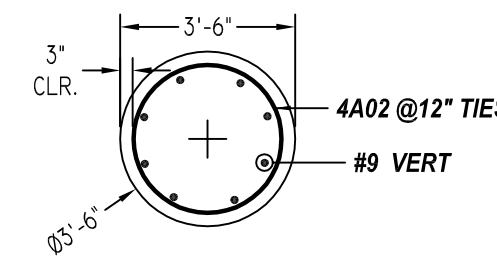
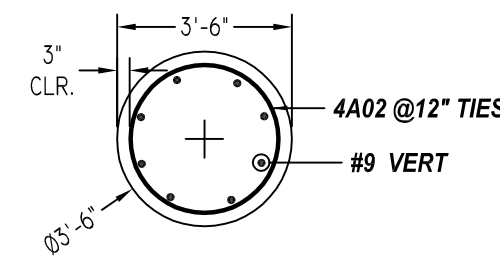
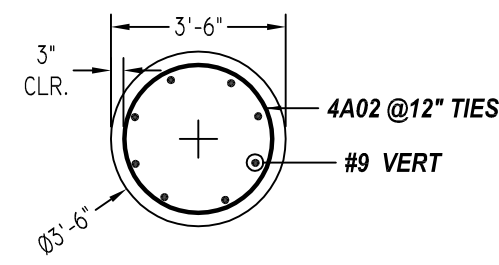
**ALL BARS IN THIS DRAWING
ASTM A615 GRADE 60
BLACK UNCOATED**

TYPICAL REINFORCING BAR CLEARANCE TABLE	
LOCATION	MIN. COVER
DRILLED PIER BOTTOM & SIDE	3" CLR
DRILLED PIER TOP	2" CLR

A/E PLEASE VERIFY THE COVER DETAILS



GRADE	60 A615					
PREFIX						
BAR LIST NOS.						
MK	REVISION	DATE	NO.	TO	FOR	DATE
0	FOR APPROVAL	08/05/21				
PRINT RECORD PRAIRIE DOG PROCESSING ABILENE, TX 79603 DRILLED PIER REINFORCEMENT DETAILS CUSTOMER BONTKE BROTHERS ARCHT. PRIMUS BUILDERS, INC. ENGR. ANTHONY D. OOTEN, P.E. DRAWN [] CHECKED [] DATE [] CONTR.NO. [] DWG. NO. [] MET/BCS BCS 08/05/2021 A1-2117 R1.004						



(@ 2 LOCATIONS)
DRILLED PIER - DP42 - C
SCALE - 1/4"=1'-0"
REF:S1.1 & S4.1
GRID: (J.5/10.2) & (J.5/10.9)

(@ 4 LOCATIONS)
DRILLED PIER - DP42 - D
SCALE - 1/4"=1'-0"
REF:S1.1 & S4.1
GRID: (F1.7x2) & (F1.5x2)

(@ 6 LOCATIONS)
DRILLED PIER - DP42 - E
SCALE - 1/4"=1'-0"
REF:S1.1 & S4.1
GRID: (H.4/9.6), (G.5/9.6), (F.6/9.6), (H.4/10.2), (G.5/10.2) & (F.6/10.2)

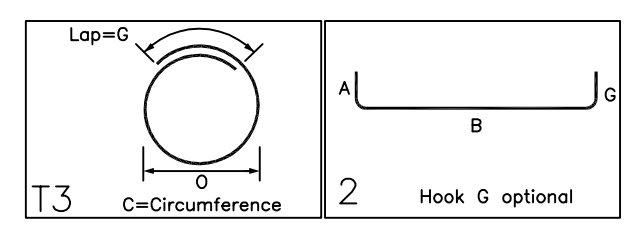
(@ 2 LOCATIONS)
DRILLED PIER - DP42 - F
SCALE - 1/4"=1'-0"
REF:S1.1 & S4.1
GRID: (H/5.1) & (G/5.1)

(@ 11 LOCATIONS)
DRILLED PIER - DP60
SCALE - 1/4"=1'-0"
REF:S1.1 & S4.1
GRID: (H/2.3), (H/2.8), (H/3.4), (H/3.9), (H/4.4), (G/2.3), (G/2.8), (G/3.4), (G/3.9), (G/4.4) (G/1.7)

(@ 3 LOCATIONS)
DRILLED PIER - DP60 - A
SCALE - 1/4"=1'-0"
REF:S1.1 & S4.1
GRID: (J/8.8), (H/8.8) & (G/8.8)

Release Number: R1.005

Bar Mark	Qty	Size	Total Length	Type	X'	Y'	Z'	X''	Y''	Z''	X'''	Y'''	Z'''
4A01	406	#4	16'-1"	T3			14'-1"			2'-0"			4'-6"
4A02	406	#4	11'-5"	T3			9'-5"			2'-0"			3'-0"
7A01	48	#7	11'-7"	2	1'-4"		10'-5"						
9A01	232	#9	9'-10"	2	1'-4"		8'-5"						
9A02	32	#9	11'-7"	2	1'-4"		10'-5"						



LAP SCHEDULE

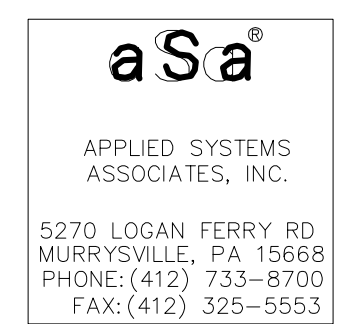
SIZE	3000 PSI	
	TOP	OTHERS
#3	28"	22"
#4	37"	29"
#5	47"	36"
#6	56"	43"
#7	81"	63"
#8	93"	72"
#9	105"	81"
#10	118"	91"
#11	131"	101"

**ALL BARS IN THIS DRAWING
ASTM A615 GRADE 60
BLACK UNCOATED**

TYPICAL REINFORCING BAR CLEARANCE TABLE

LOCATION	MIN. COVER
DRILLED PIER BOTTOM & SIDE	3" CLR
DRILLED PIER TOP	2" CLR

A/E PLEASE VERIFY THE COVER DETAILS



GRADE	60 A615		
PREFIX			
BAR LIST NOS.			
MK	REVISION	DATE	PRINT RECORD
0	FOR APPROVAL	08/05/21	NO. TO FOR DATE
PRAIRIE DOG PROCESSING ABILENE, TX 79603 DRILLED PIER REINFORCEMENT DETAILS			
CUSTOMER BONTKE BROTHERS ARCHT. PRIMUS BUILDERS, INC. ENGR. ANTHONY D. OOTEN, P.E.			
DRAWN	CHECKED	DATE	CONTR. NO. DWG. NO.
ME/T/BCS	BCS	08/05/2021	A1-2117 R1.005