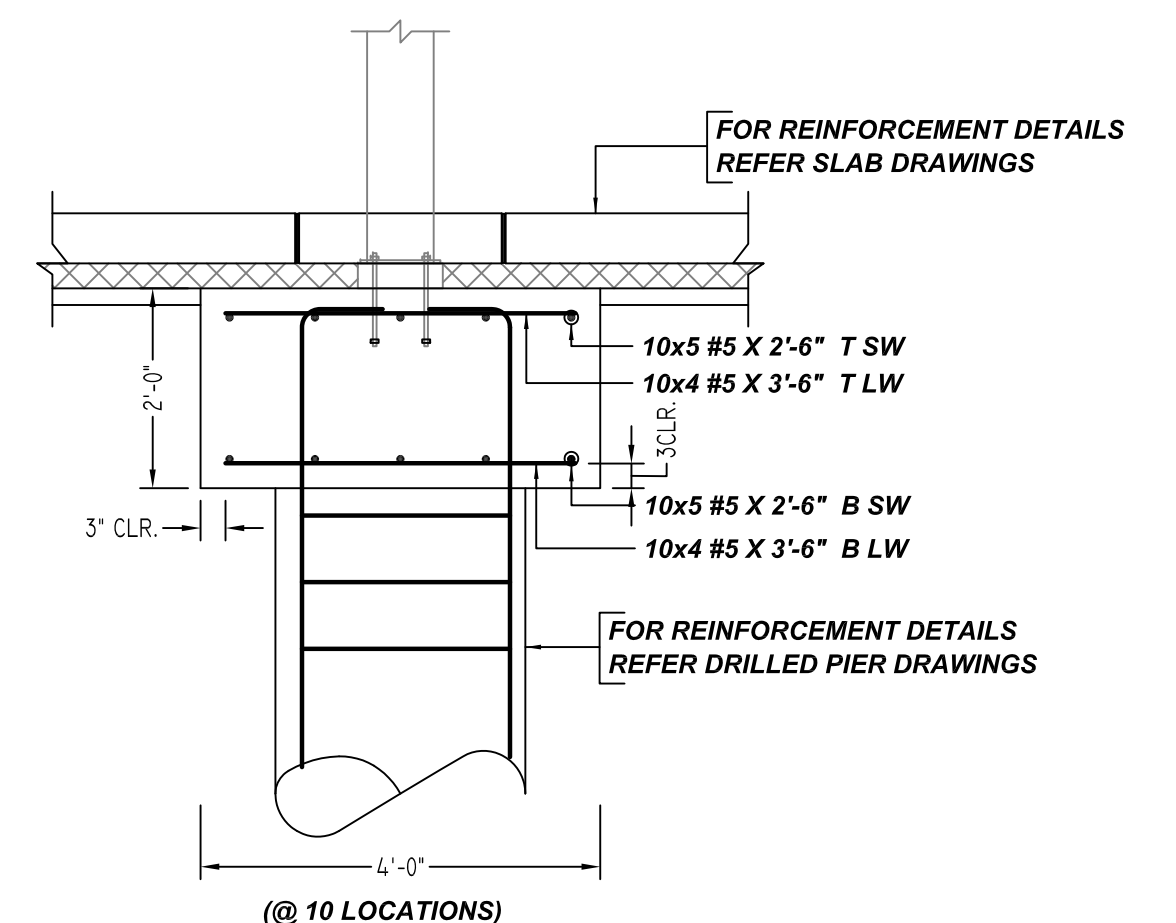


(@ 27 LOCATIONS)
PIER CAP - PC3
 SCALE - 1/2"=1'-0"
 REF: S1.1 & S4.1
 (GRID : J/8.35, H/2.3, H/2.8, H/3.4, H/3.9,
 H/4.4, H/5.6, H/6.7, H/7.6, H/8.35, H/4/10.2,
 G/2.3, G/2.8, G/3.4, G/3.9, G/4.4, G/5.6, G/6.7,
 G/7.6, G/8.35, G/5/10.2, F/6/10.2, Y/4.3, X/4.3, X/4.6)



(@ 10 LOCATIONS)
PIER CAP - PC3X4
 SCALE - 1/2"=1'-0"
 REF: S1.1 & S4.1
 (GRID : H/1.8, H/5.2, H/8.9, H/4/9.7, G/1.8,
 G/5.2, G/6.9, G/5/9.7, F/6/9.7, J/8.9)

K
J.6
J.5
J.4
J
H.4
H.7
H
G.5
G.7
G
F.7
F.6
F.1
F
E

A
Z.9
Z
Y
X
W

1.1 1.7 1.8 2 2.3 2.8 3 3.4 3.5 3.7 3.9 4 4.2 4.3 4.4 4.6 4.8 5.1 5.2 5.3 5.4 5.6 5.8 6 6.7 7 7.2 7.6 8 8.3 8.8 8.9 9.3 9.6 9.7 10.2 10.9

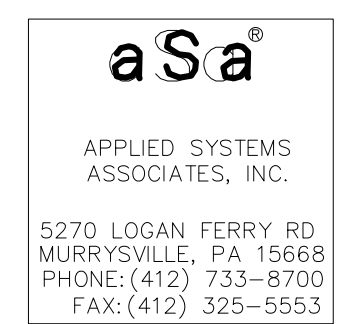
A/E PLEASE VERIFY THE CF1 REINFORCEMENT DETAILS

PILE CAP REINFORCEMENT DETAILS
 SCALE - NTS.
 REF: S1.1 & S4.1

LEGEND	
PCx	PILE CAP MARK
TOP EL: x'-x"	TOP OF PILE CAP ELEVATION

TYPICAL REINFORCING BAR CLEARANCE TABLE	
LOCATION	MIN. COVER
PILE CAP BOTTOM & TOP	3" CLR
PILE CAP SIDE	3" CLR

A/E PLEASE VERIFY THE COVER DETAILS (TYP.)



GRADE	60 A615	PRINT RECORD		PRAIRIE DOG PROCESSING ABILENE, TX 79603 PILE CAP REINFORCEMENT DETAILS
PREFIX		NO.	TO FOR DATE	
BAR LIST NOS.		MK	REVISION DATE	CUSTOMER BONTKE BROTHERS ARCHT. PRIMUS BUILDERS, INC. ENGR. ANTHONY D. OOTEN, P.E.
		D	FOR APPROVAL 08/05/21	
		DRAWN	CHECKED	DATE
		CONTR. NO.	DWG. NO.	
		MET/BCS	BCS	08/05/2021 A1-2117 R2.001