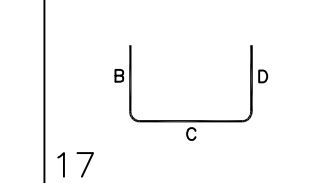


AREA-D CMU WALL REINFORCEMENT DETAILS

REF: S1.14 & A1.03
SCALE: 1/8" = 1'-0"

Release Number: M01

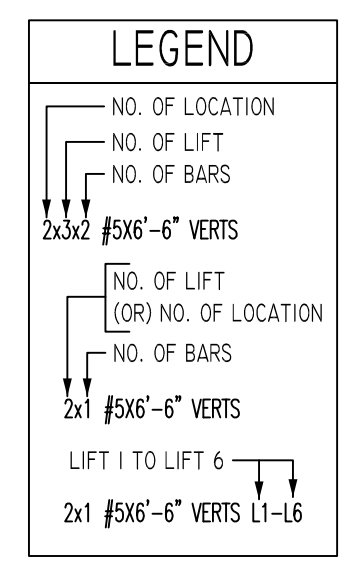
Bar Mark	Qty	Size	Total Length	Type	X	Y	Z	W	V	U	T	S	R	Q	P
4A02	80	#4	3'-6"	17											



A/E PLEASE VERIFY LAP VALUE

LAP SCHEDULE
2000 PSI
(@8" CMU WALL)

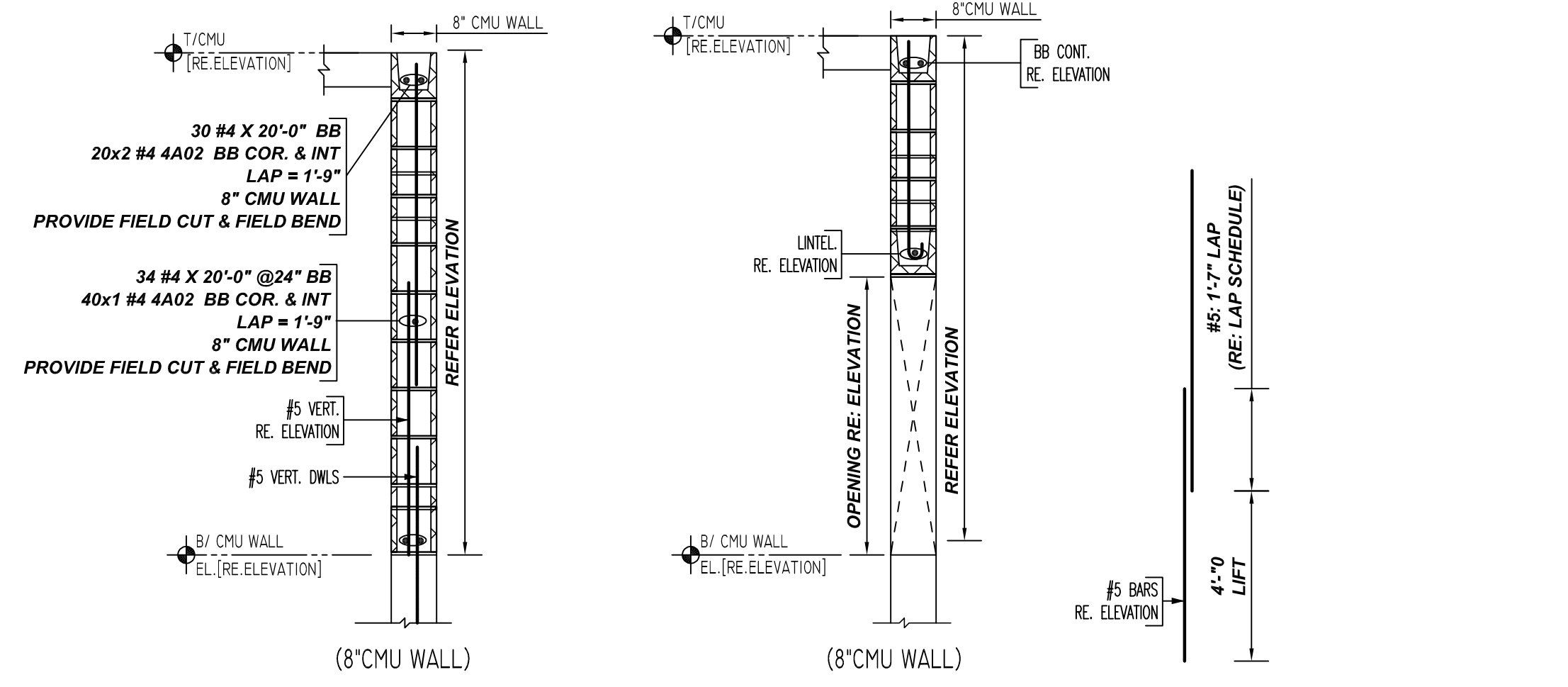
BAR#	CENTER	EDGE
#3	1'-0"	1'-0"
#4	1'-0"	1'-9"
#5	1'-7"	2'-9"
#6	3'-1"	4'-6"
#7	4'-3"	5'-3"
#8	6'-0"	6'-0"
#9	NP	NP



TYPICAL REINFORCING BAR CLEARANCE TABLE

LOCATION	MIN. COVER
CMU WALL TOP	2 CLR

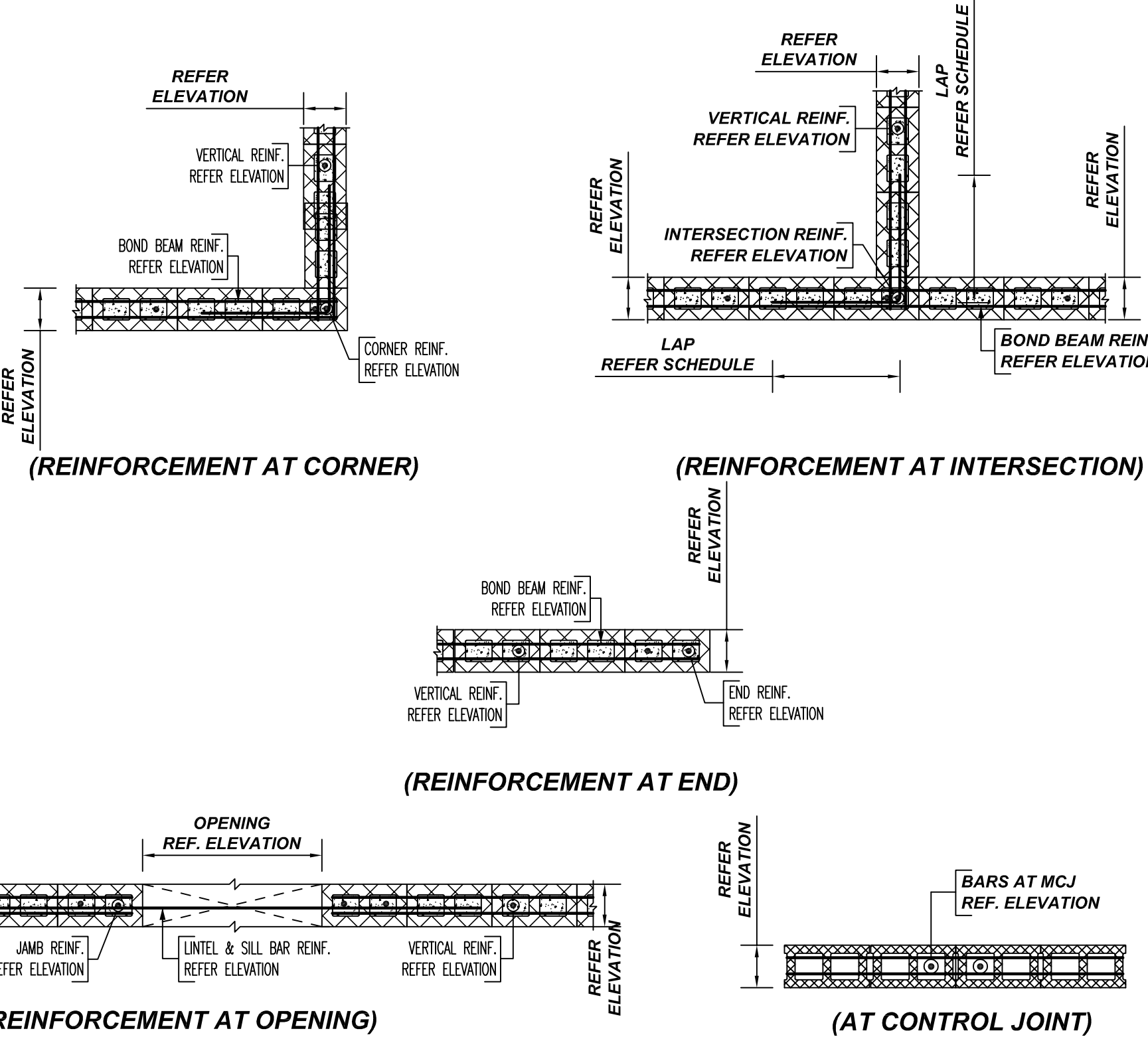
**ALL BARS IN THIS DRAWING
ASTM A615 GRADE 60
BLACK UNCOATED**



TYPICAL CMU WALL SECTION DETAILS

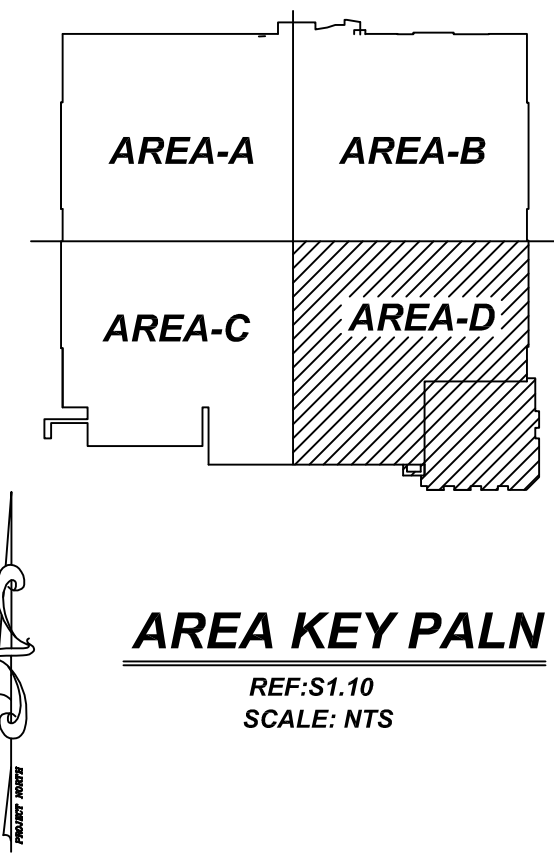
SCALE: 1/2" = 1'-0"

TYPICAL BAR LAPPING DETAIL



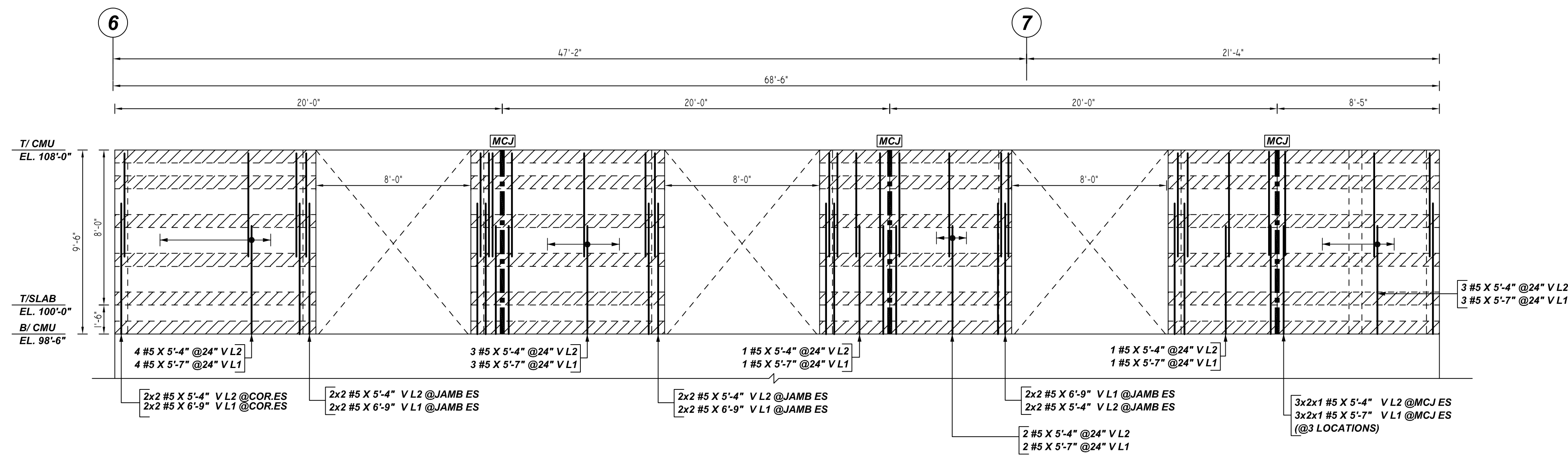
TYPICAL CMU WALL REINFORCEMENT DETAILS

REF: S2.0
SCALE: 1/2" = 1'-0"

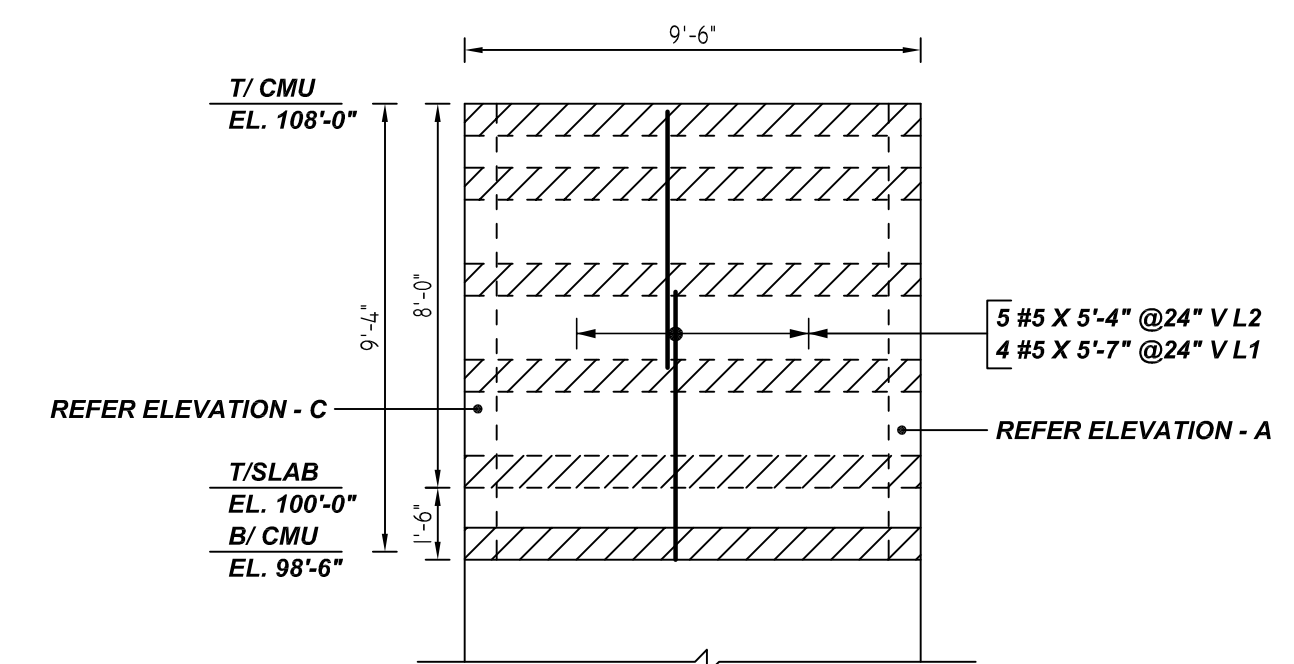


FOR APPROVAL

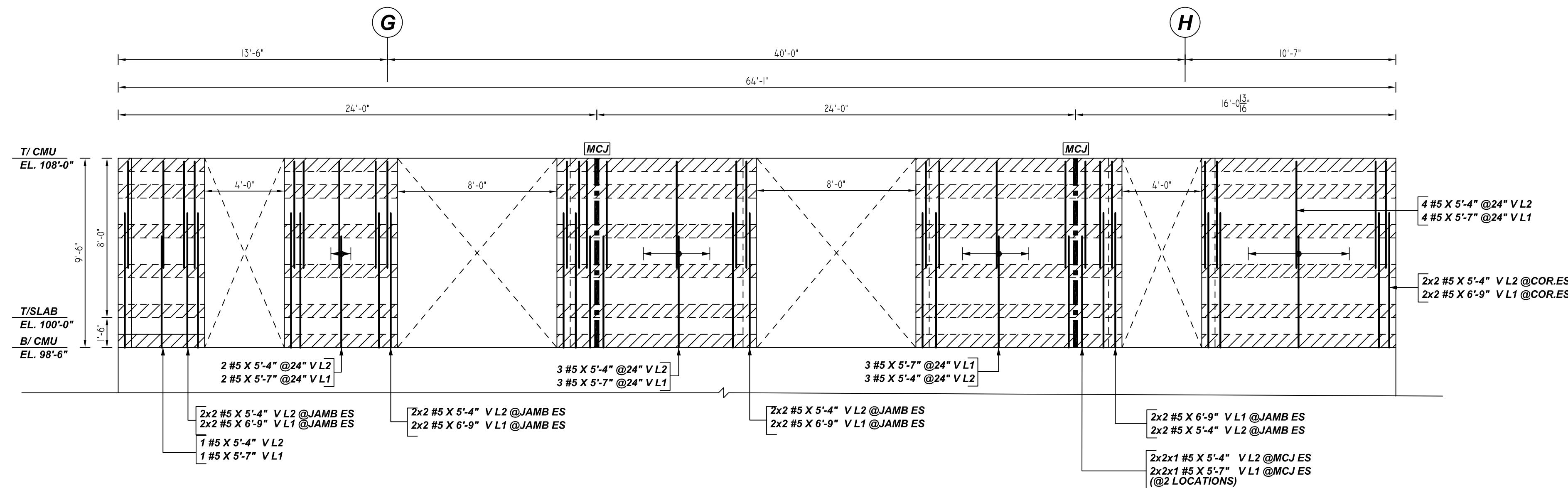
GRADE	A615/60(UNO)		
PREFIX	A		
BAR LIST NOS.			
REV	DESCRIPTION	ISSUED DATE	ISSUED FOR
0	IFA	11/03/2022	APPROVAL
STRUCTURE	AREA-D CMU WALL REINFORCEMENT DETAILS		
FLOOR	FOUNDATION		
JOB NO.			
CUSTOMER	TIBURON		
JOB	T-MOBILE CORE & SHELL UNLV TECH PARK		
LOCATION	LAS VEGAS, NEVADA		
DRAWN	DATE	CONTROL CODE	DWS. NO.
MRS	11/03/2022	-	M01



A ELEVATION
 REF: S1.14, A1.91, A1.03 & A5.02
 SCALE: 1/4" = 1'-0"



B ELEVATION
 REF: S1.14, A1.91, A1.03 & A5.02
 SCALE: 1/4" = 1'-0"



C ELEVATION
 REF: S1.14, A1.91, A1.03 & A5.02
 SCALE: 1/4" = 1'-0"

A/E PLEASE VERIFY LAP VALUE

LEGEND

- NO. OF LOCATION
- NO. OF LIFT
- NO. OF BARS
- NO. OF LIFT (OR) NO. OF LOCATION
- NO. OF BARS
- LIFT 1 TO LIFT 6

LAP SCHEDULE
 2000 PSI (@8" CMU WALL)

BAR#	LENGTHS	
	CENTER	EDGE
#3	1'-0"	1'-0"
#4	1'-0"	1'-9"
#5	1'-7"	2'-9"
#6	3'-1"	4'-6"
#7	4'-3"	5'-3"
#8	6'-0"	6'-0"
#9	NP	NP

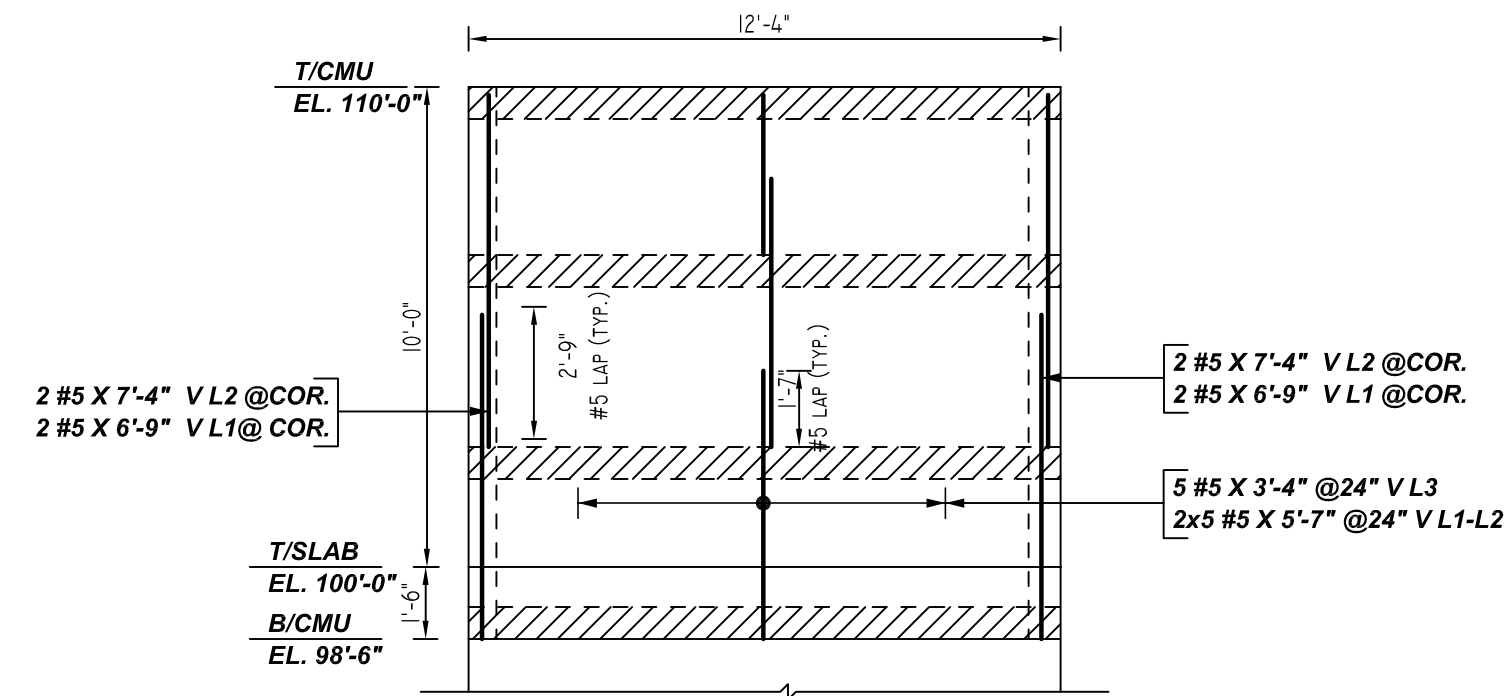
TYPICAL REINFORCING BAR CLEARANCE TABLE

LOCATION	MIN. COVER
CMU WALL TOP	2 CLR

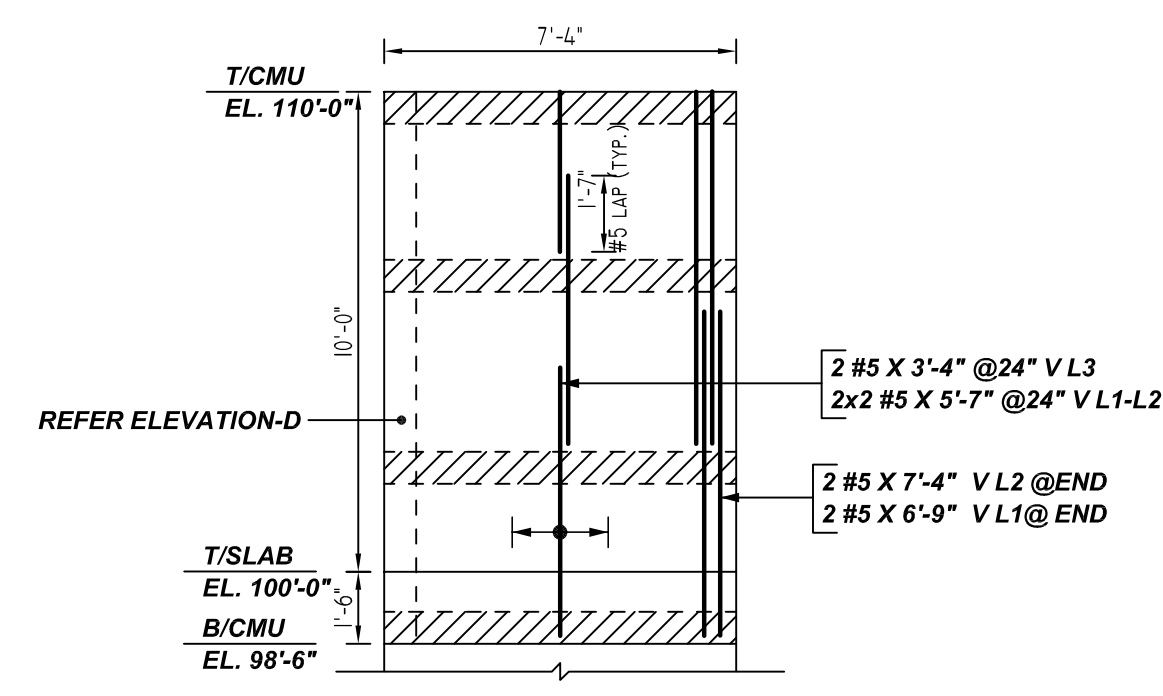
**ALL BARS IN THIS DRAWING
 ASTM A615 GRADE 60
 BLACK UNCOATED**

FOR APPROVAL

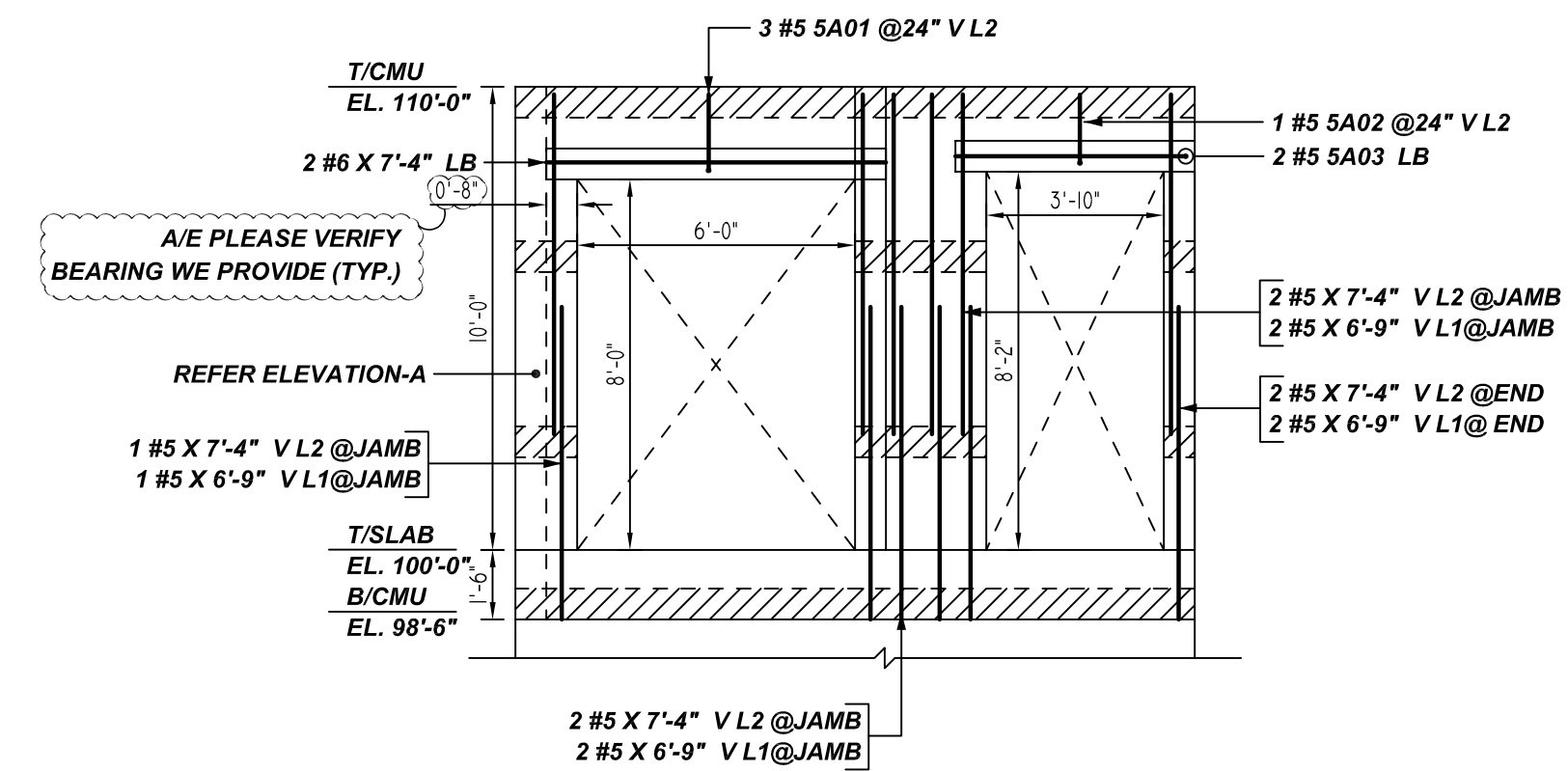
GRADE	A615/60(UNO)				
PREFIX	A				
BAR LIST NOS.					
REV	DESCRIPTION	ISSUED DATE	ISSUED FOR	STRUCTURE	AREA-D CMU WALL REINFORCEMENT DETAILS
0	IFA	11/03/2022	APPROVAL	FLOOR	FOUNDATION
				JOB NO	
				CUSTOMER	TIBURON
				JOB	T-MOBILE CORE & SHELL UNLV TECH PARK
				LOCATION	LAS VEGAS, NEVADA
				DRAWN	DATE
				MRS	11/03/2022
				CONTROL CODE	
				DWS. NO.	M02



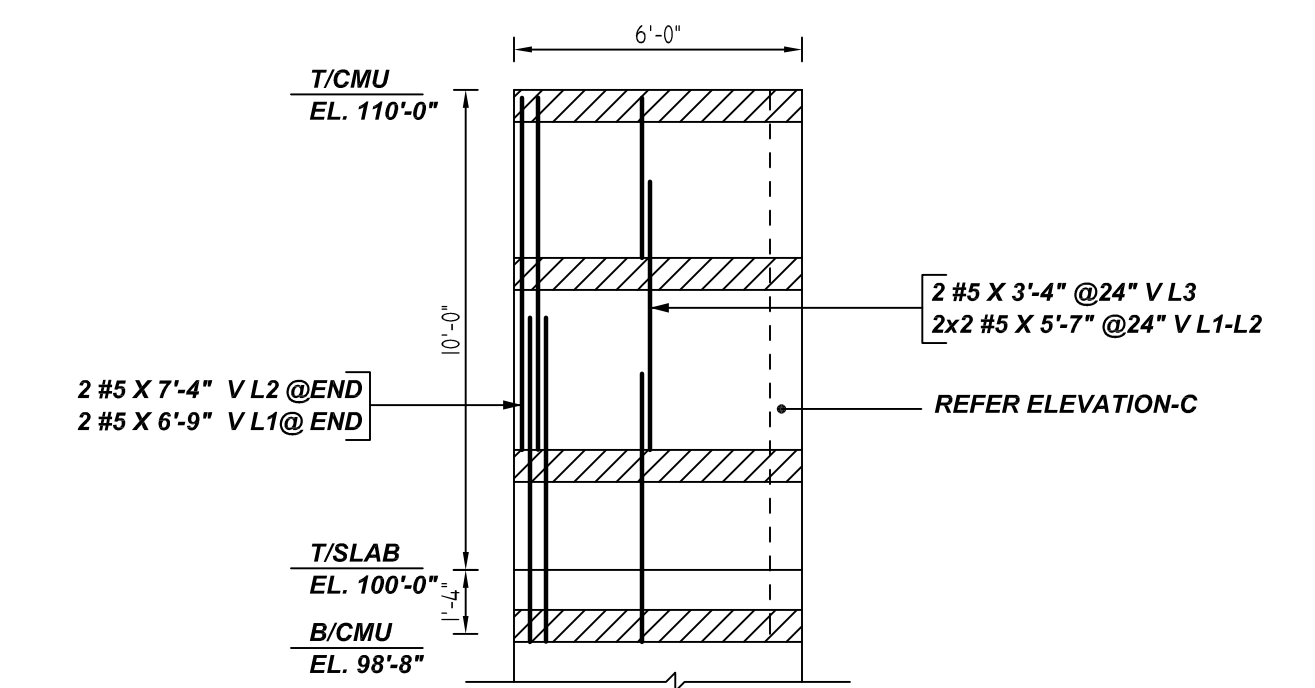
D ELEVATION
 REF: A1.03, 13/A6.11 & S5.60
 SCALE: 1/4" = 1'-0"



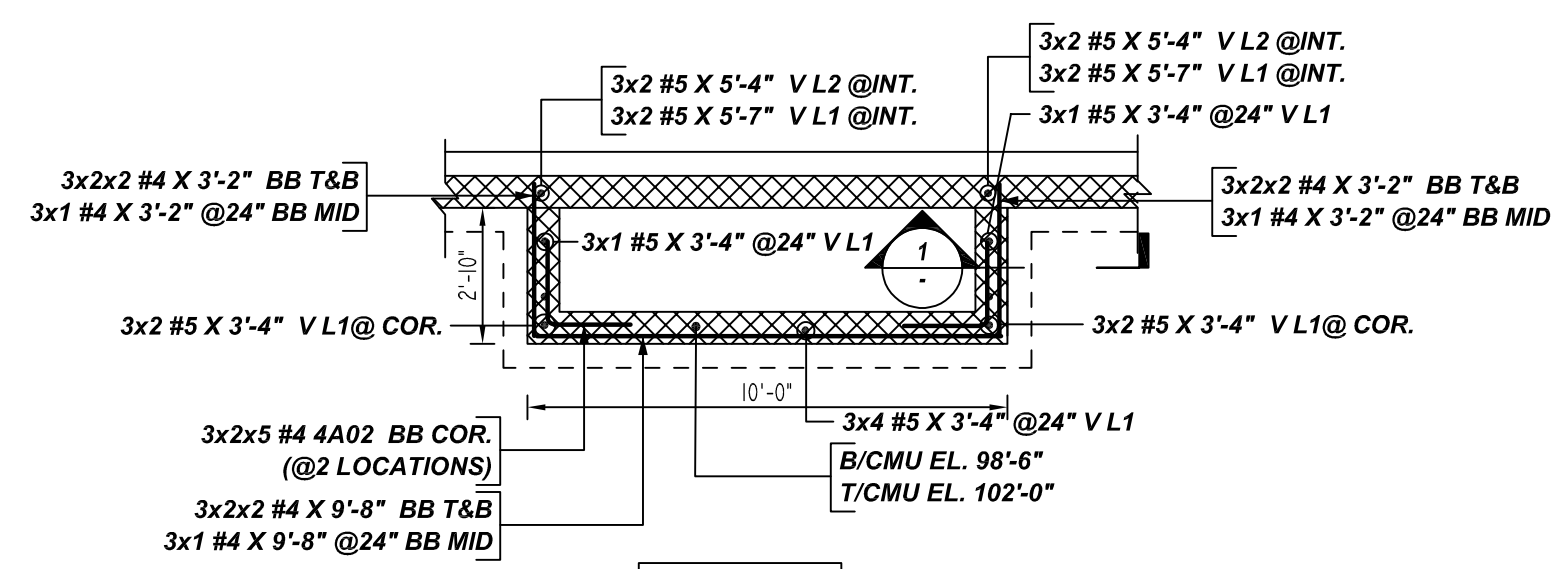
E ELEVATION
 REF: A1.03, 13/A6.11 & S5.60
 SCALE: 1/4" = 1'-0"



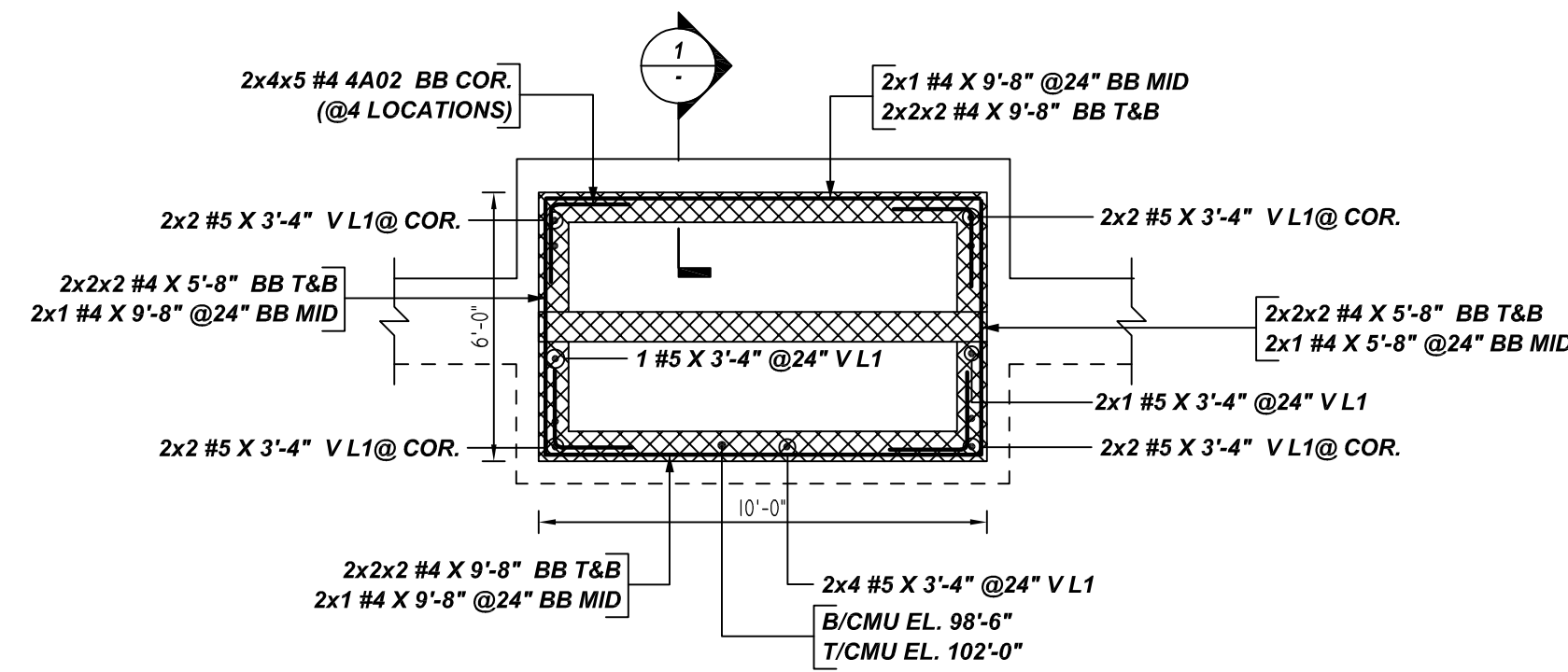
F ELEVATION
 REF: A1.03, 13/A6.11 & S5.60
 SCALE: 1/4" = 1'-0"



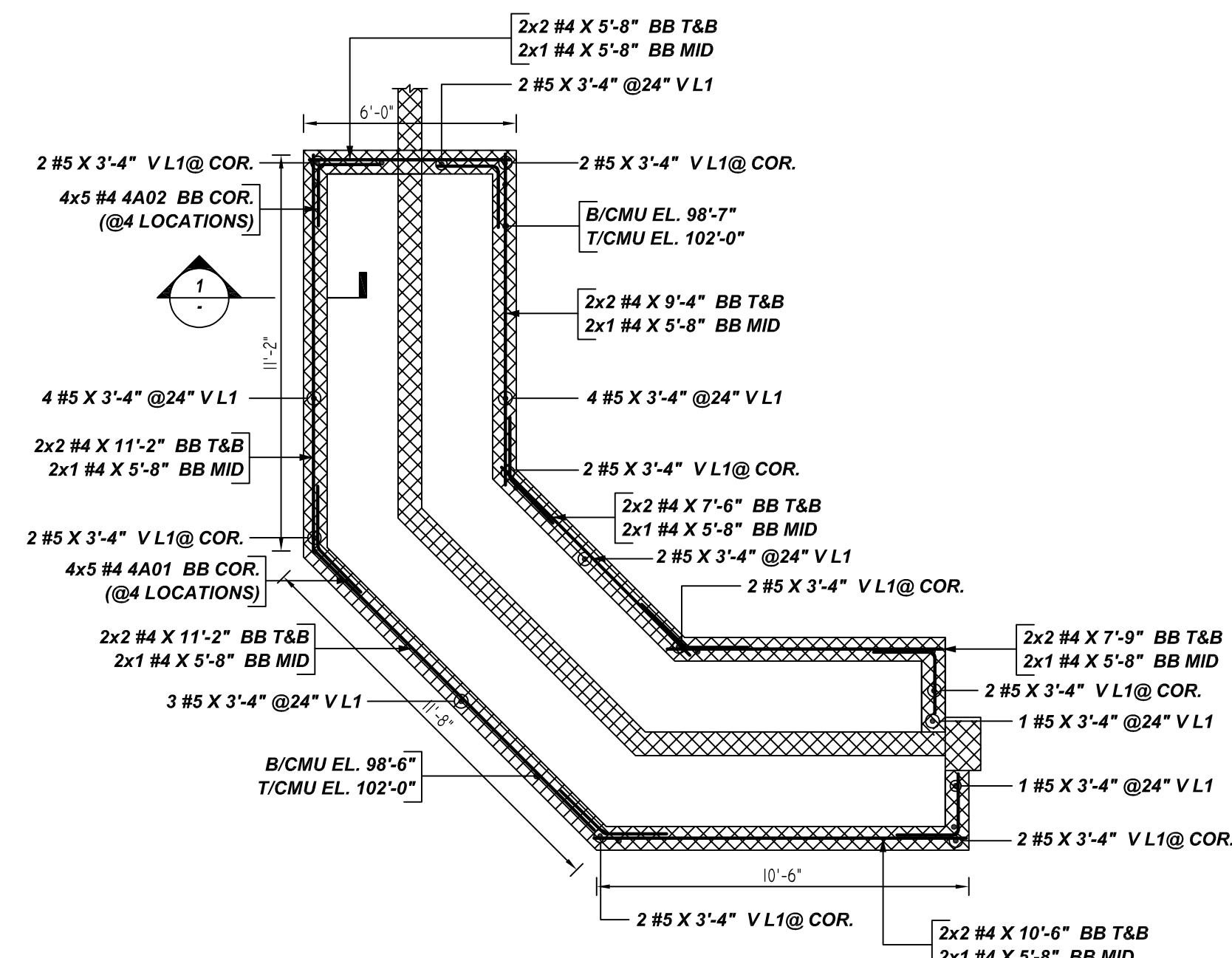
G ELEVATION
 REF: A1.03, 13/A6.11 & S5.60
 SCALE: 1/4" = 1'-0"



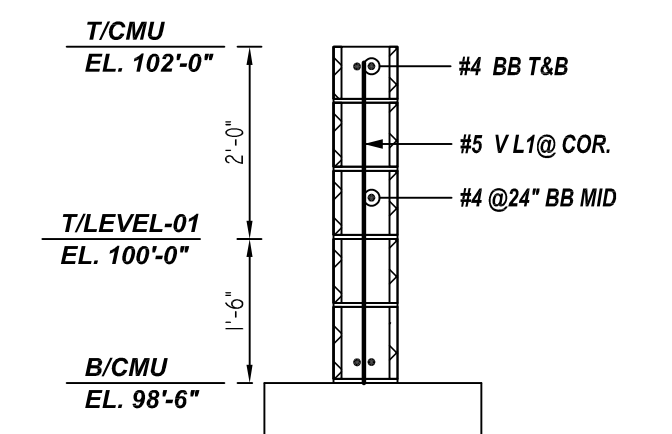
DETAIL -A
 REF: A1.91
 SCALE: 1/4" = 1'-0"
 (@3 LOCATIONS)



DETAIL -B
 REF: A1.91
 SCALE: 1/4" = 1'-0"
 (@2 LOCATIONS)



DETAIL -C
 REF: A1.91
 SCALE: 1/4" = 1'-0"
 (@2 LOCATIONS)



1 SECTION
 REF: A1.91 & S5.60
 SCALE: 1/2" = 1'-0"

A/E PLEASE VERIFY LAP VALUE

LEGEND

- NO. OF LOCATION
- NO. OF LIFT
- NO. OF BARS
- 2x3x2 #5x6'-6" VERTS
- NO. OF LIFT (COR) NO. OF LOCATION
- NO. OF BARS
- 2x1 #5x6'-6" VERTS
- LIFT 1 TO LIFT 6
- 2x1 #5x6'-6" VERTS L1-L6

LAP SCHEDULE

BAR#	LENGTHS	
	CENTER	EDGE
#3	1'-0"	1'-0"
#4	1'-0"	1'-9"
#5	1'-7"	2'-9"
#6	3'-1"	4'-6"
#7	4'-3"	5'-3"
#8	6'-0"	6'-0"
#9	NP	NP

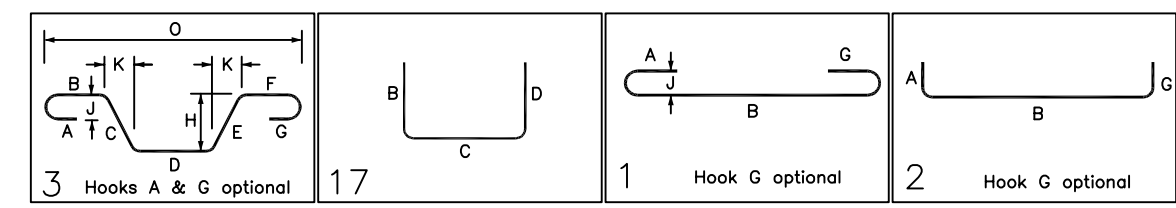
TYPICAL REINFORCING BAR CLEARANCE TABLE

LOCATION	MIN. COVER
CMU WALL TOP	2 CLR

**ALL BARS IN THIS DRAWING
 ASTM A615 GRADE 60
 BLACK UNCOATED**

Release Number: M03

Bar Mark	Qty	Size	Total Length	Type	X	Y	Z	W	V	U	T	S	R	Q	P	O	N	M	L	K	J	I	H	G	F	E	D	C	B	A
4001	20	#4	5'-5 3/4"	3																										
4002	90	#4	3'-6"	17																										
5001	3	#5	2'-3"	1	0'-7"																									
5002	1	#5	2'-11"	1	0'-7"																									
5003	2	#5	5'-10"	2	0'-10"																									



FOR APPROVAL

GRADE	A615/60(UNO)				
PREFIX	A				
BAR LIST NOS.					
REV	DESCRIPTION	ISSUED DATE	ISSUED FOR	STRUCTURE	AREA-D CMU WALL REINFORCEMENT DETAILS
0	IFA	11/03/2022	APPROVAL	FLOOR	FOUNDATION
				JOB NO	
				CUSTOMER	TIBURON
				JOB	T-MOBILE CORE & SHELL UNLV TECH PARK
				LOCATION	LAS VEGAS, NEVEDA
	DRAWN	DATE	CONTROL CODE	DWS. NO.	
	MRS	11/03/2022	-	M03	