

ALL BARS IN THIS DRAWING
ASTM A615 GRADE 60
BLACK UNCOATED

LEGEND

NO. OF LOCATION	NO. OF LIFT	NO. OF BARS
2x2x1	2x2x1	#5x6'-6" VERT.
NO. OF LIFT (OR) NO. OF LOCATION	NO. OF BARS	2x1
		#5x6'-6" VERT.

PLEASE VERIFY
COVER WE FOLLOWED (TYP.)

TYPICAL BAR CLEARANCE TABLE

CMU WALL	TOP: 2"	SIDE: 2"
----------	---------	----------

REBAR GRADE 60 ASTM A-615

SPLICES USED

CLASS B 5,000 psi UNO

TOP BARS	OTHER BARS
#3	#3
#4	#4
#5	#5
#6	#6
#7	#7
#8	#8
#9	#9
#10	#10
#11	#11
#14	#14

ABBREVIATIONS

ADD.	= Additional
B.O.W.	= Bottom of wall
C.B.	= Corner Bars
DIAG.	= Diagonal
D.O.	= Door Opening
DWLS.	= Dowels
E.F.	= Each Face
E.S.	= Each Side
E.W.	= Each Way
FTG.	= Footing
F.F.	= Far Face
HORIZ.	= Horizontal
I.F.	= Inside Face
INTERS.	= Intersection
L.W.	= long Way
N.F.	= Near Face
O.F.	= Outside Face
S.W.	= Short Way
T&B	= Top & Bottom
T.O.W.	= Top of Wall
Trans.	= Transverse
VERT.	= Vertical

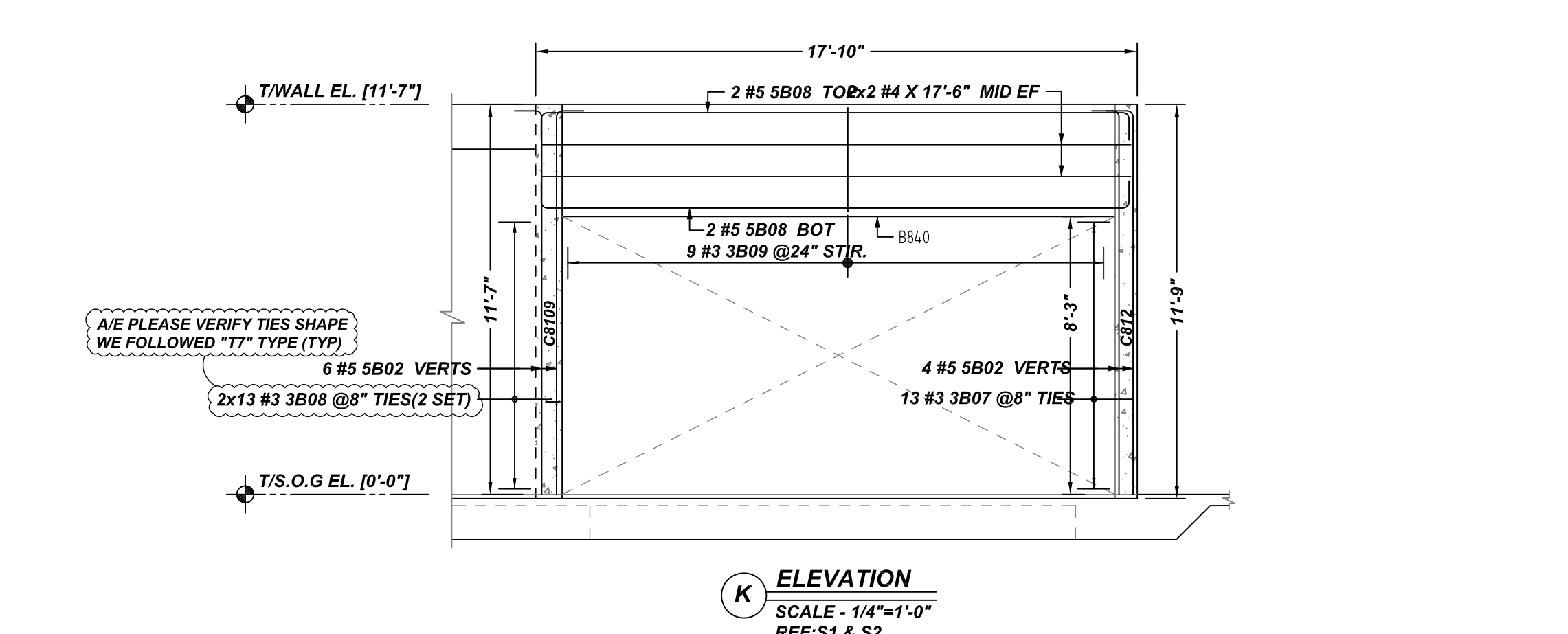
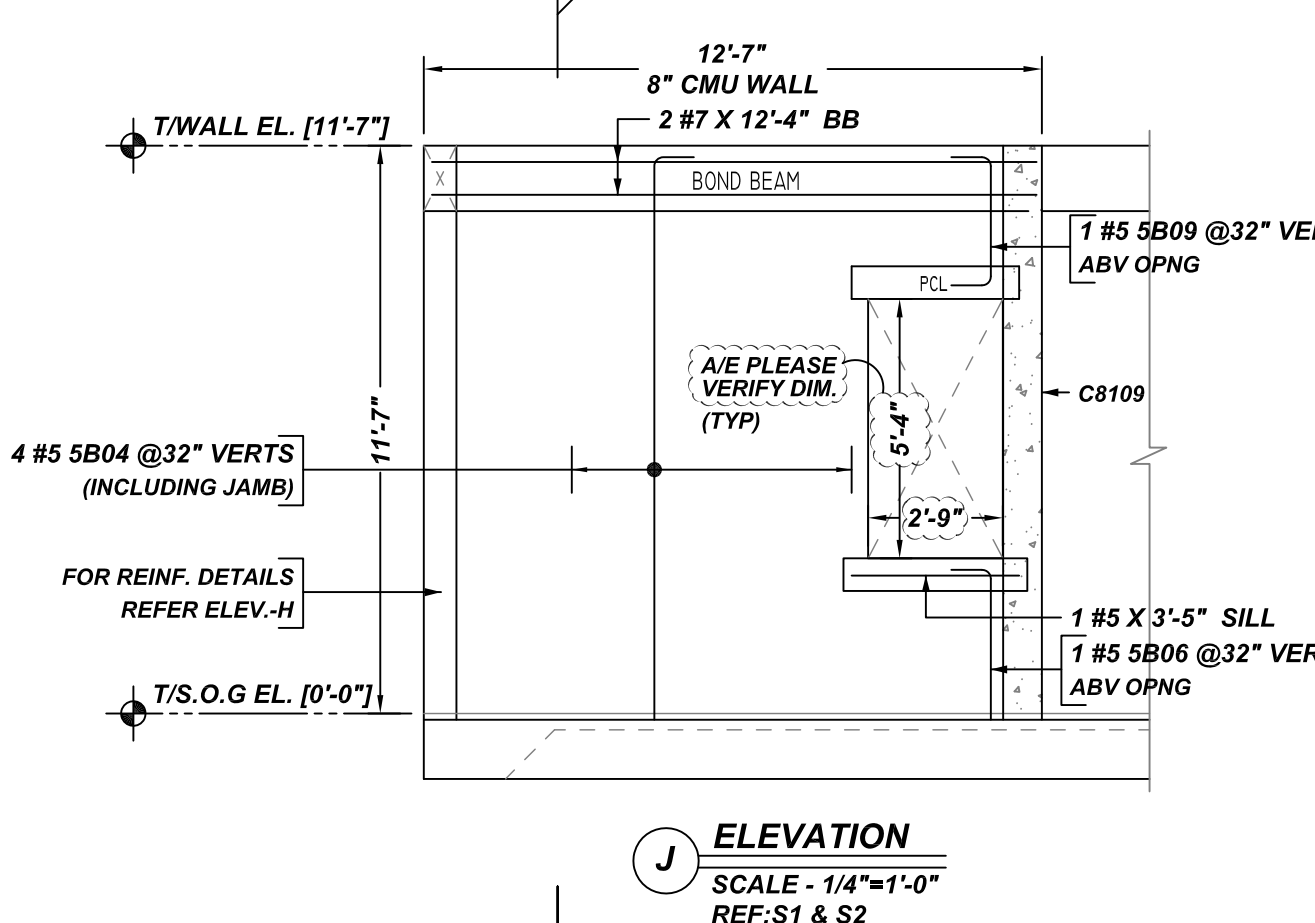
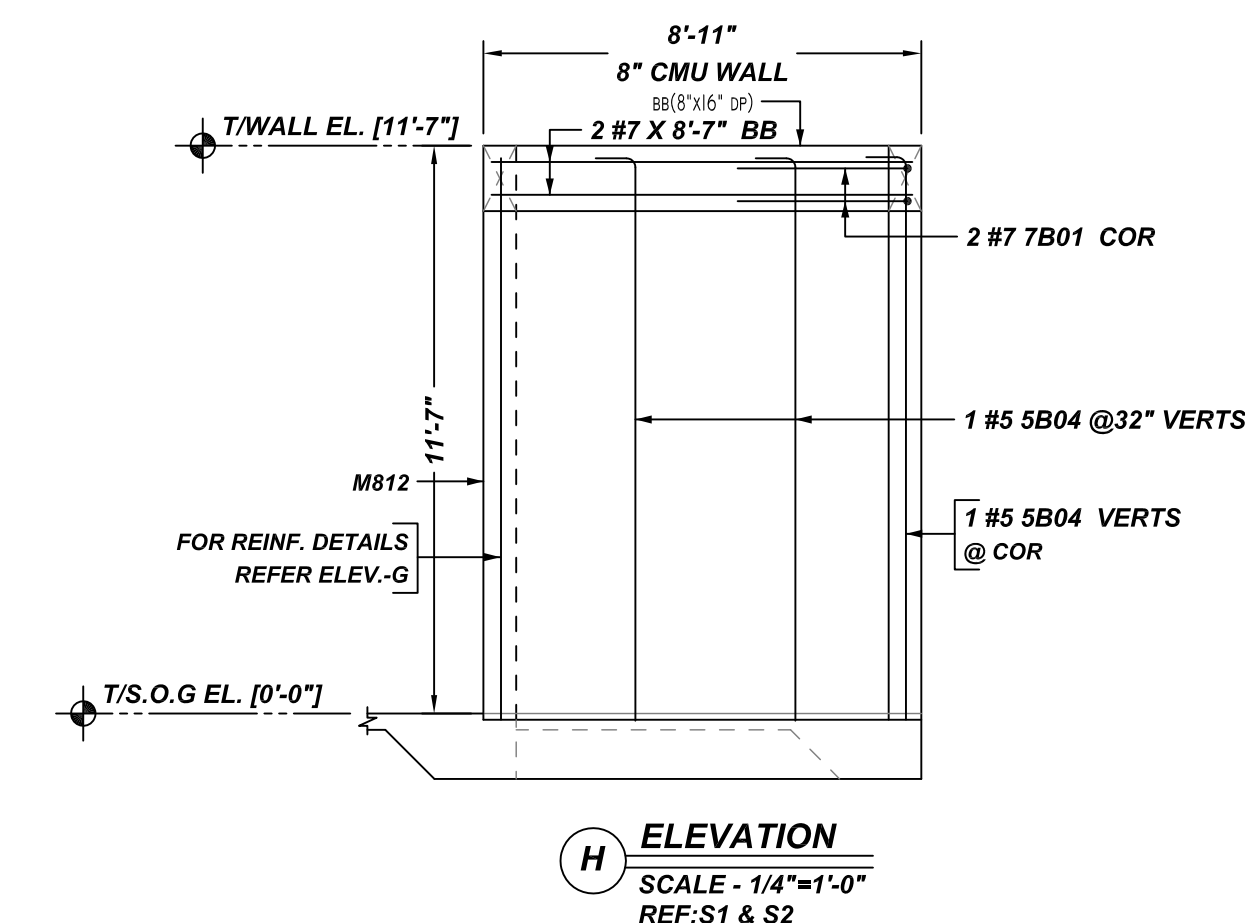
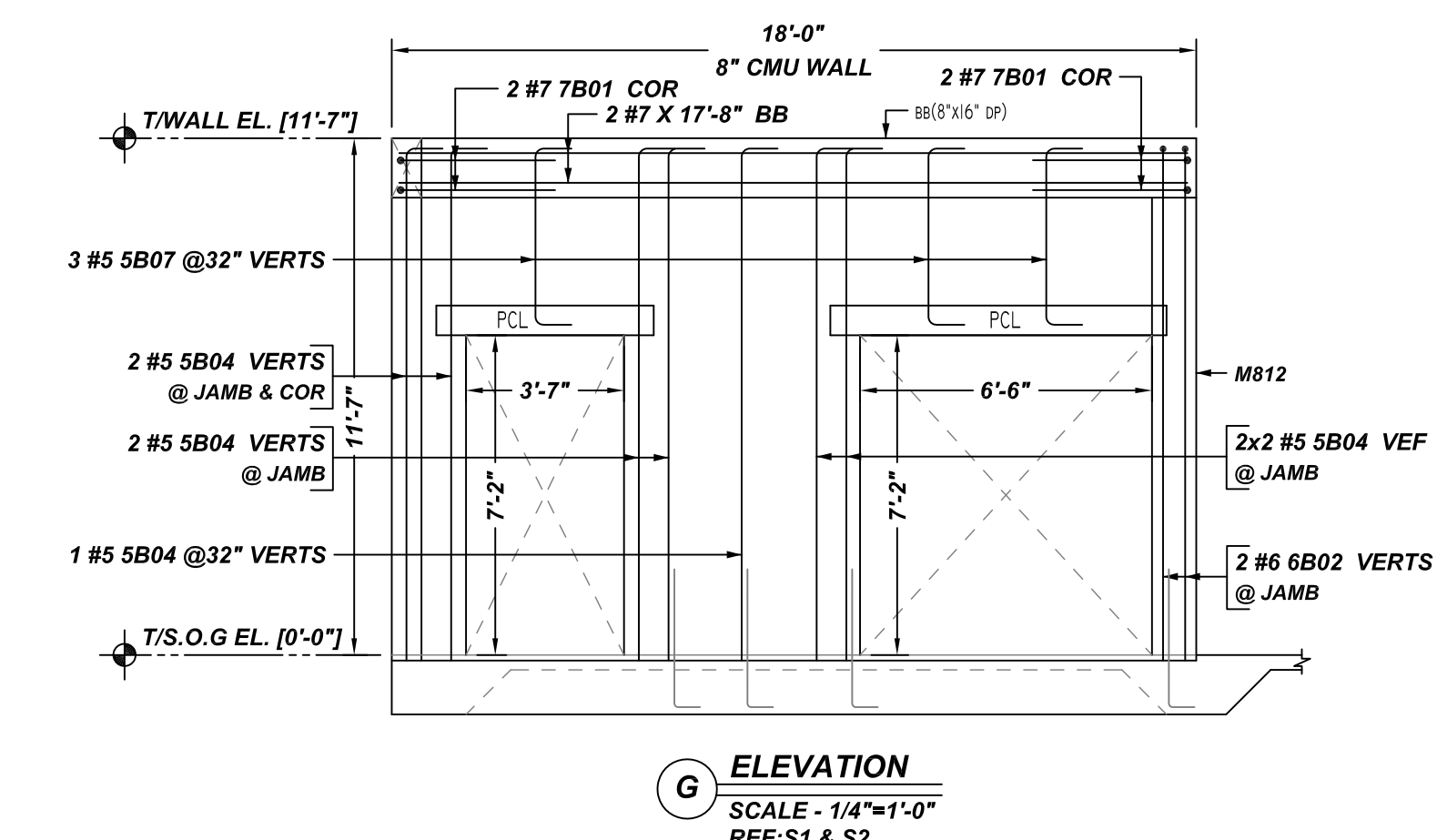
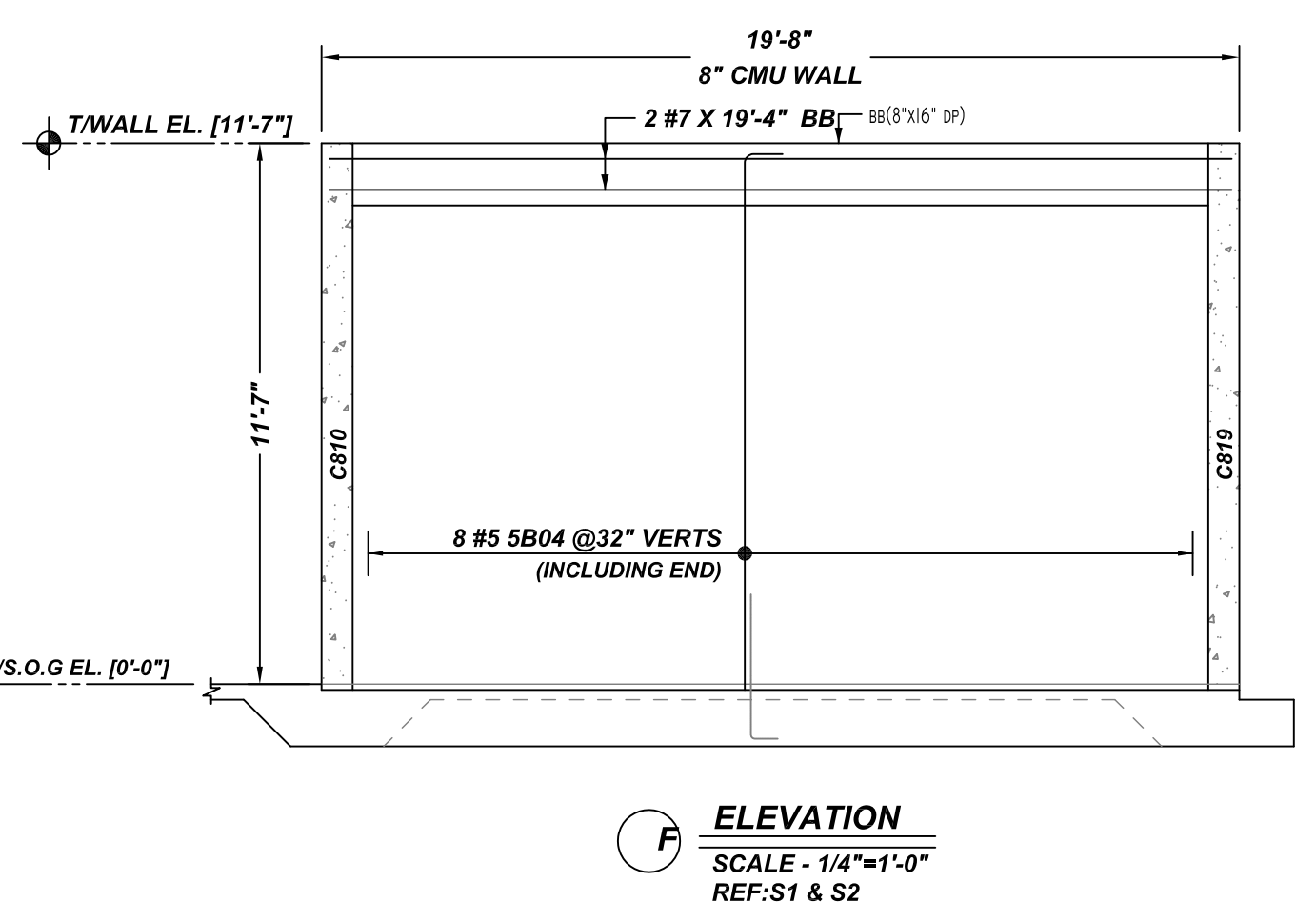
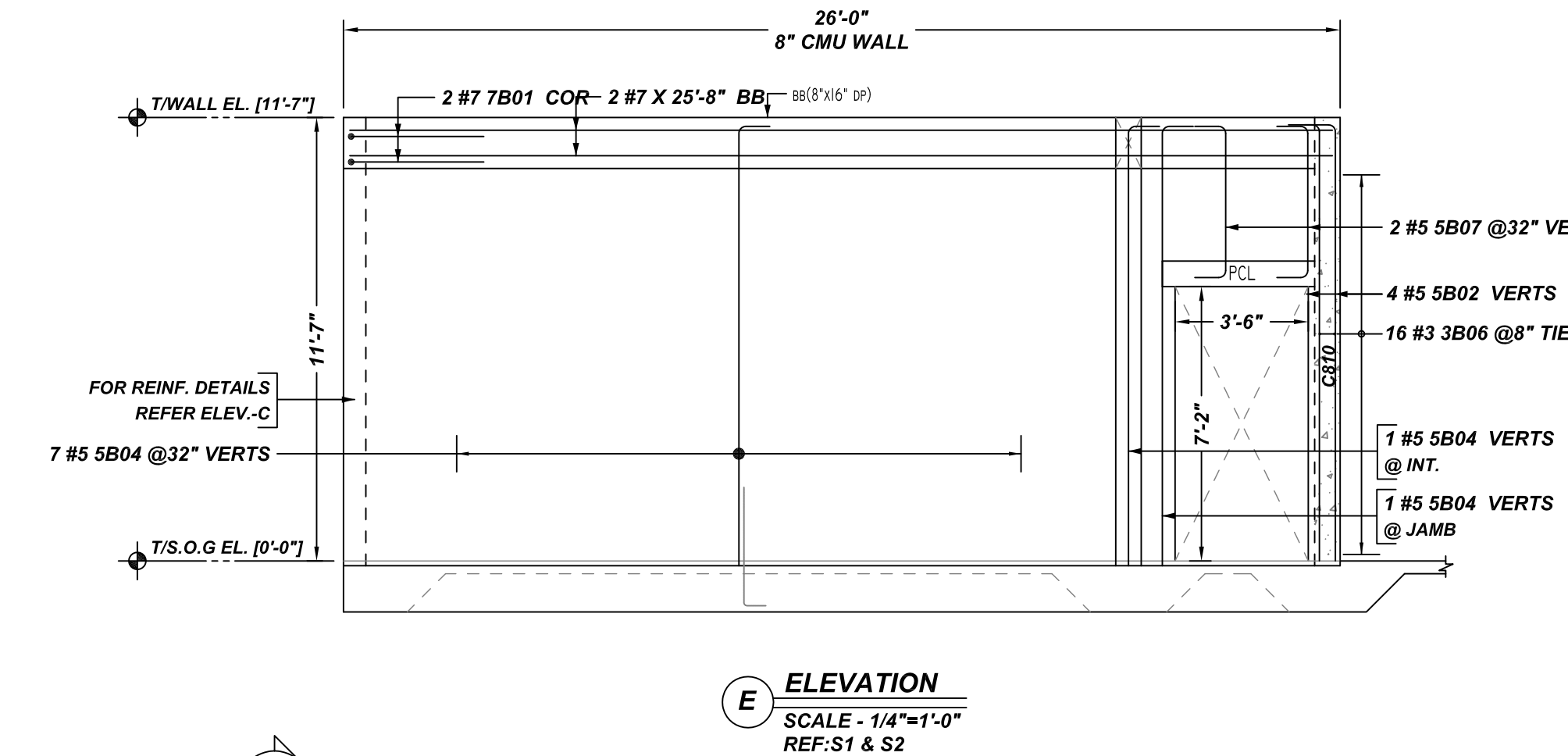
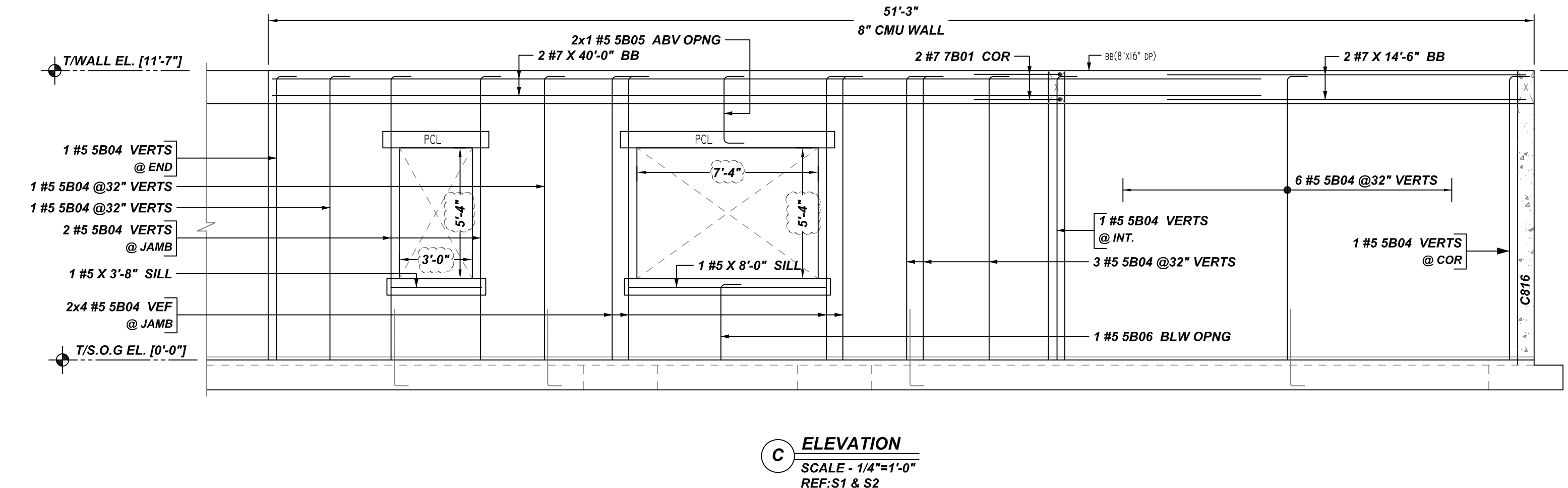
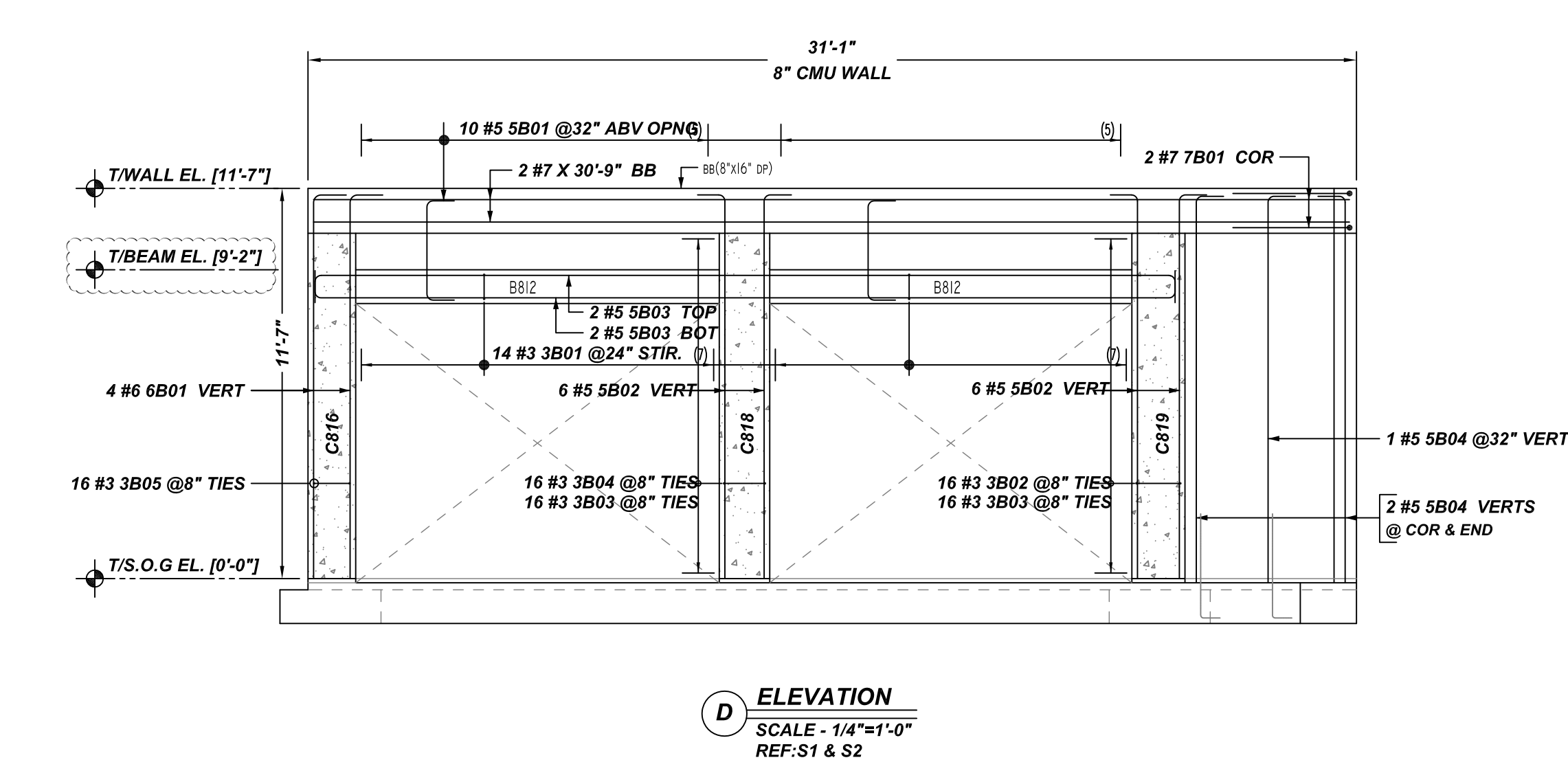
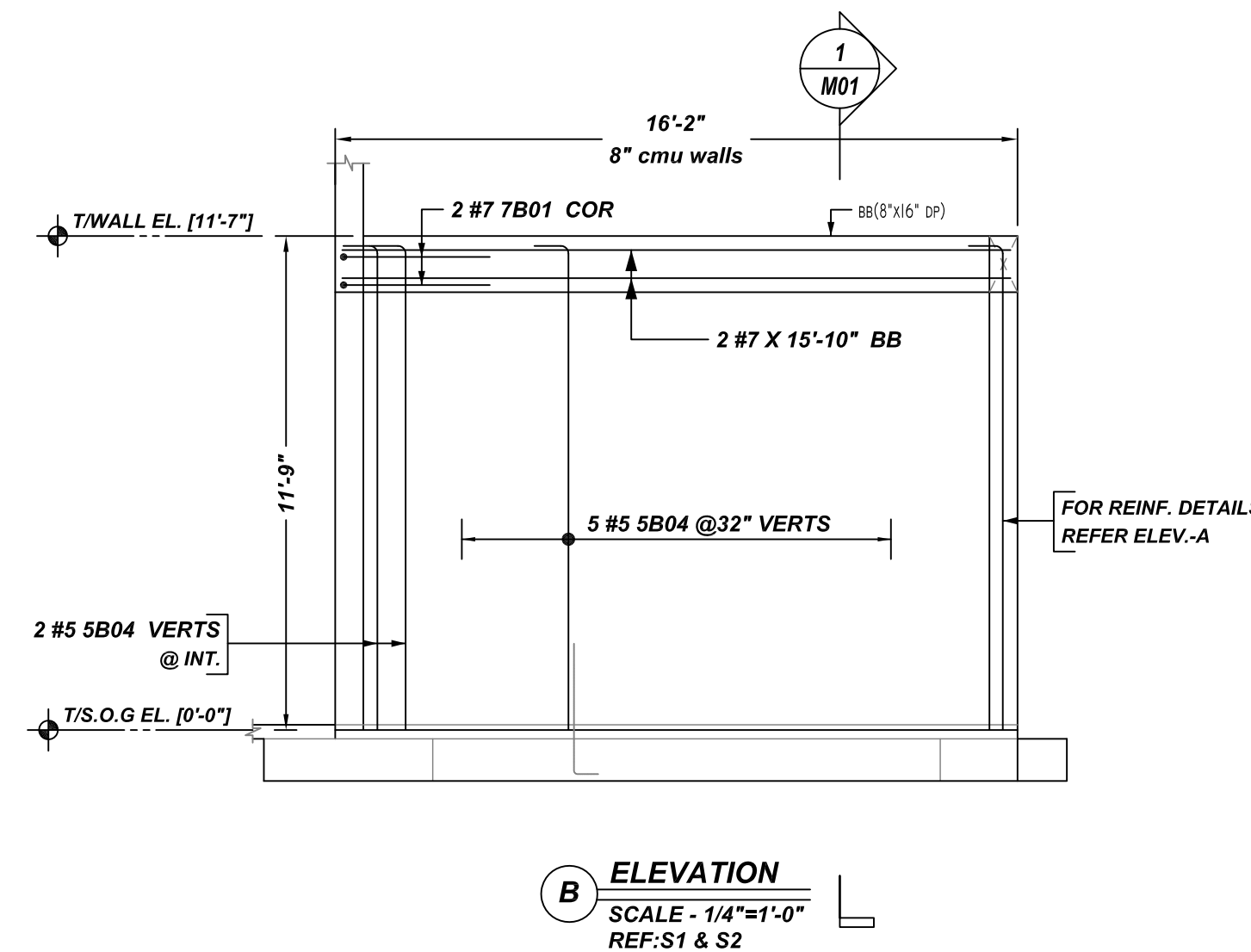
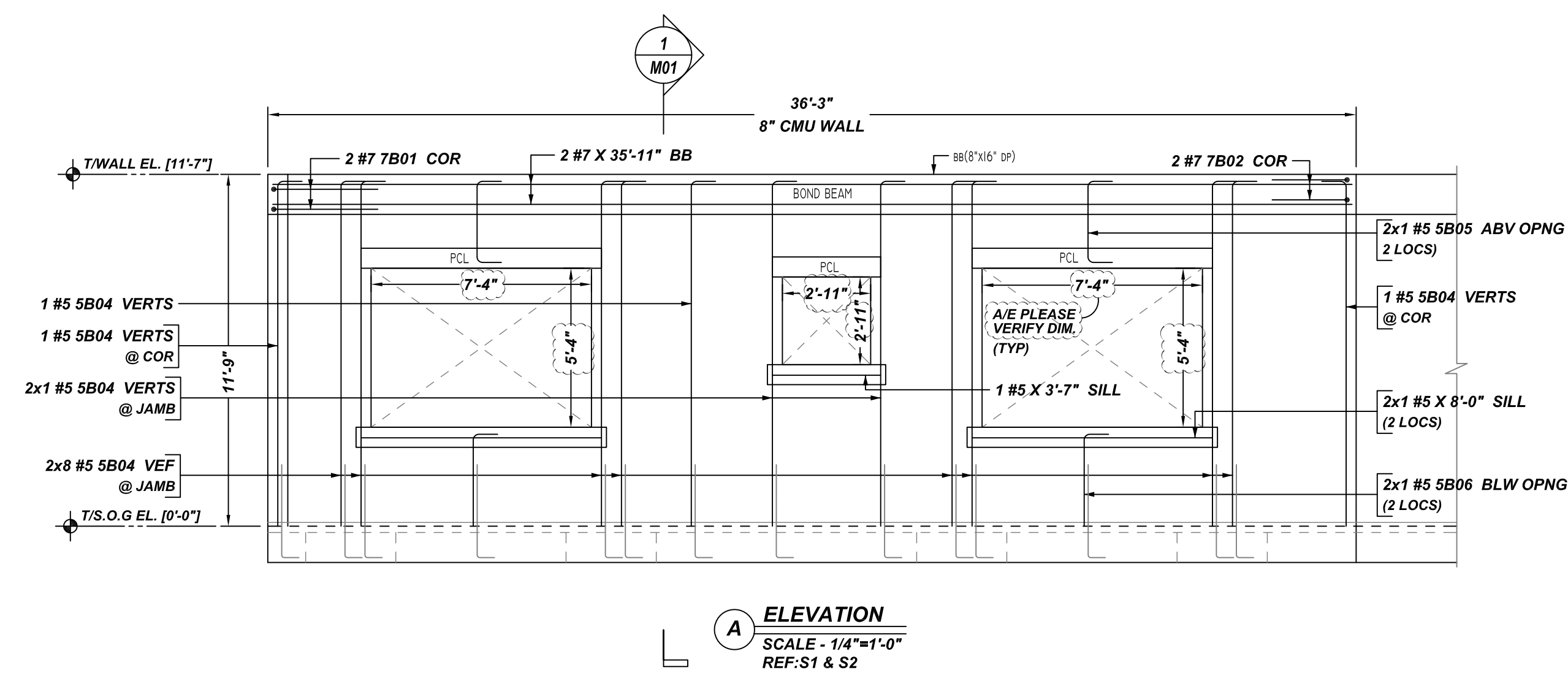
BAR MARK SIZE EQUIVALENT

Imperial	Soft Metric
#3	#10
#4	#13
#5	#16
#6	#19
#7	#22
#8	#25
#9	#29
#10	#32
#11	#36

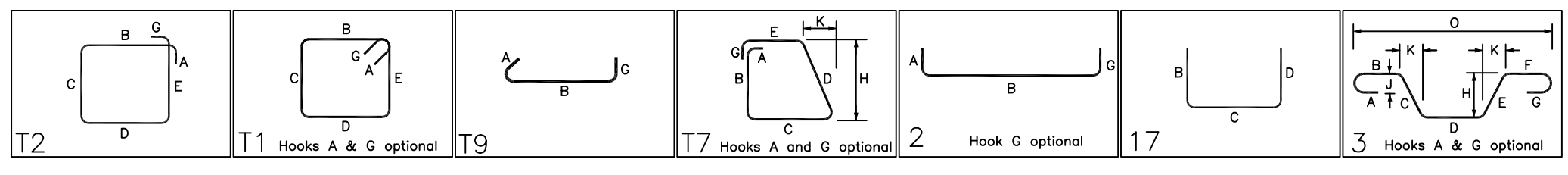
JAFCO RESIDENCE
CMU WALL REINFORCEMENT DETAILS
SUNRISE, FLORIDA

CUSTOMER: -			
DESIGNER: -	M01		
DRAWN BY	DATE	JOB NO	SHEET NO.
GOW/MET	07.20.21	-	M01

REV NO	DATE	SENT FOR	REV NO	DATE	SENT FOR
0	07.20.21	APPROVAL			



Rebar Mark	Qty	Size	Total Length	Type	X	Y	Z	W	V	U	T	S	R	Q	P	O	N	M	L	K	J	I	H	G	F	E	D	C	B	A	
3901	14	#3	3'-0"	32	0'-4"	0'-5"	0'-5"	0'-5"	0'-5"	0'-5"	0'-5"	0'-5"	0'-5"	0'-5"	0'-5"	0'-5"	0'-5"	0'-5"	0'-5"	0'-5"	0'-5"	0'-5"	0'-5"	0'-5"	0'-5"	0'-5"	0'-5"	0'-5"	0'-5"	0'-5"	
3902	16	#3	4'-2"	11	0'-4"	0'-5"	1'-4"	0'-5"	1'-4"	0'-5"	1'-4"	0'-5"	1'-4"	0'-5"	1'-4"	0'-5"	1'-4"	0'-5"	1'-4"	0'-5"	1'-4"	0'-5"	1'-4"	0'-5"	1'-4"	0'-5"	1'-4"	0'-5"	1'-4"	0'-5"	
3903	32	#3	1'-1"	19	0'-4"	0'-5"	0'-5"	0'-5"	0'-5"	0'-5"	0'-5"	0'-5"	0'-5"	0'-5"	0'-5"	0'-5"	0'-5"	0'-5"	0'-5"	0'-5"	0'-5"	0'-5"	0'-5"	0'-5"	0'-5"	0'-5"	0'-5"	0'-5"	0'-5"	0'-5"	
3904	16	#3	4'-0"	11	0'-4"	0'-5"	1'-3"	0'-5"	1'-3"	0'-5"	1'-3"	0'-5"	1'-3"	0'-5"	1'-3"	0'-5"	1'-3"	0'-5"	1'-3"	0'-5"	1'-3"	0'-5"	1'-3"	0'-5"	1'-3"	0'-5"	1'-3"	0'-5"	1'-3"	0'-5"	
3905	16	#3	3'-8"	11	0'-4"	0'-5"	1'-1"	0'-5"	1'-1"	0'-5"	1'-1"	0'-5"	1'-1"	0'-5"	1'-1"	0'-5"	1'-1"	0'-5"	1'-1"	0'-5"	1'-1"	0'-5"	1'-1"	0'-5"	1'-1"	0'-5"	1'-1"	0'-5"	1'-1"	0'-5"	
3906	16	#3	2'-8"	11	0'-4"	0'-5"	0'-7"	0'-5"	0'-7"	0'-5"	0'-7"	0'-5"	0'-7"	0'-5"	0'-7"	0'-5"	0'-7"	0'-5"	0'-7"	0'-5"	0'-7"	0'-5"	0'-7"	0'-5"	0'-7"	0'-5"	0'-7"	0'-5"	0'-7"	0'-5"	
3907	13	#3	3'-0"	11	0'-4"	0'-5"	0'-9"	0'-5"	0'-9"	0'-5"	0'-9"	0'-5"	0'-9"	0'-5"	0'-9"	0'-5"	0'-9"	0'-5"	0'-9"	0'-5"	0'-9"	0'-5"	0'-9"	0'-5"	0'-9"	0'-5"	0'-9"	0'-5"	0'-9"	0'-5"	
3908	26	#3	2'-7"	17	0'-4"	0'-5"	0'-8"	0'-4"	0'-5"	0'-8"	0'-4"	0'-5"	0'-8"	0'-4"	0'-5"	0'-8"	0'-4"	0'-5"	0'-8"	0'-4"	0'-5"	0'-8"	0'-4"	0'-5"	0'-8"	0'-4"	0'-5"	0'-8"	0'-4"	0'-5"	
3909	3	#3	7'-8"	11	0'-4"	0'-5"	3'-1"	0'-5"	3'-1"	0'-5"	3'-1"	0'-5"	3'-1"	0'-5"	3'-1"	0'-5"	3'-1"	0'-5"	3'-1"	0'-5"	3'-1"	0'-5"	3'-1"	0'-5"	3'-1"	0'-5"	3'-1"	0'-5"	3'-1"	0'-5"	
5901	10	#5	4'-8"	2	0'-10"	3'-0"	0'-10"	3'-0"	0'-10"	3'-0"	0'-10"	3'-0"	0'-10"	3'-0"	0'-10"	3'-0"	0'-10"	3'-0"	0'-10"	3'-0"	0'-10"	3'-0"	0'-10"	3'-0"	0'-10"	3'-0"	0'-10"	3'-0"	0'-10"	3'-0"	0'-10"
5902	26	#5	12'-3"	2	0'-10"	11'-5"	0'-10"	11'-5"	0'-10"	11'-5"	0'-10"	11'-5"	0'-10"	11'-5"	0'-10"	11'-5"	0'-10"	11'-5"	0'-10"	11'-5"	0'-10"	11'-5"	0'-10"	11'-5"	0'-10"	11'-5"	0'-10"	11'-5"	0'-10"	11'-5"	0'-10"
5903	4	#5	2'-3"	2	0'-10"	25'-7"	0'-10"	25'-7"	0'-10"	25'-7"	0'-10"	25'-7"	0'-10"	25'-7"	0'-10"	25'-7"	0'-10"	25'-7"	0'-10"	25'-7"	0'-10"	25'-7"	0'-10"	25'-7"	0'-10"	25'-7"	0'-10"	25'-7"	0'-10"	25'-7"	0'-10"
5904	8	#5	12'-4"	2	0'-10"	11'-6"	0'-10"	11'-6"	0'-10"	11'-6"	0'-10"	11'-6"	0'-10"	11'-6"	0'-10"	11'-6"	0'-10"	11'-6"	0'-10"	11'-6"	0'-10"	11'-6"	0'-10"	11'-6"	0'-10"	11'-6"	0'-10"	11'-6"	0'-10"	11'-6"	0'-10"
5905	4	#5	4'-5"	2	0'-10"	2'-9"	0'-10"	2'-9"	0'-10"	2'-9"	0'-10"	2'-9"	0'-10"	2'-9"	0'-10"	2'-9"	0'-10"	2'-9"	0'-10"	2'-9"	0'-10"	2'-9"	0'-10"	2'-9"	0'-10"	2'-9"	0'-10"	2'-9"	0'-10"	2'-9"	0'-10"
5906	4	#5	3'-11"	2	0'-10"	3'-1"	0'-10"	3'-1"	0'-10"	3'-1"	0'-10"	3'-1"	0'-10"	3'-1"	0'-10"	3'-1"	0'-10"	3'-1"	0'-10"	3'-1"	0'-10"	3'-1"	0'-10"	3'-1"	0'-10"	3'-1"	0'-10"	3'-1"	0'-10"	3'-1"	0'-10"
5907	3	#5	5'-8"	2	0'-10"	4'-0"	0'-10"	4'-0"	0'-10"	4'-0"	0'-10"	4'-0"	0'-10"	4'-0"	0'-10"	4'-0"	0'-10"	4'-0"	0'-10"	4'-0"	0'-10"	4'-0"	0'-10"	4'-0"	0'-10"	4'-0"	0'-10"	4'-0"	0'-10"	4'-0"	0'-10"
5908	4	#5	19'-2"	2	0'-10"	17'-6"	0'-10"	17'-6"	0'-10"	17'-6"	0'-10"	17'-6"	0'-10"	17'-6"	0'-10"	17'-6"	0'-10"	17'-6"	0'-10"	17'-6"	0'-10"	17'-6"	0'-10"	17'-6"	0'-10"	17'-6"	0'-10"	17'-6"	0'-10"	17'-6"	0'-10"
5909	1	#5	4'-4"	2	0'-10"	2'-8"	0'-10"	2'-8"	0'-10"	2'-8"	0'-10"	2'-8"	0'-10"	2'-8"	0'-10"	2'-8"	0'-10"	2'-8"	0'-10"	2'-8"	0'-10"	2'-8"	0'-10"	2'-8"	0'-10"	2'-8"	0'-10"	2'-8"	0'-10"	2'-8"	0'-10"
6601	4	#6	12'-5"	2	1'-0"	11'-5"	1'-0"	11'-5"	1'-0"	11'-5"	1'-0"	11'-5"	1'-0"	11'-5"	1'-0"	11'-5"	1'-0"	11'-5"	1'-0"	11'-5"	1'-0"	11'-5"	1'-0"	11'-5"	1'-0"	11'-5"	1'-0"	11'-5"	1'-0"	11'-5"	1'-0"
6602	2	#6	12'-6"	2	1'-0"	11'-6"	1'-0"	11'-6"	1'-0"	11'-6"	1'-0"	11'-6"	1'-0"	11'-6"	1'-0"	11'-6"	1'-0"	11'-6"	1'-0"	11'-6"	1'-0"	11'-6"	1'-0"	11'-6"	1'-0"	11'-6"	1'-0"	11'-6"	1'-0"	11'-6"	1'-0"
7601	18	#7	7'-0"	17	2'-6"	3'-6"	2'-6"	3'-6"	2'-6"	3'-6"	2'-6"	3'-6"	2'-6"	3'-6"	2'-6"	3'-6"	2'-6"	3'-6"	2'-6"	3'-6"	2'-6"	3'-6"	2'-6"	3'-6"	2'-6"	3'-6"	2'-6"	3'-6"	2'-6"	3'-6"	2'-6"
7602	2	#7	6'-11"	3	3'-6"	5'-5"	3'-6"	5'-5"	3'-6"	5'-5"	3'-6"	5'-5"	3'-6"	5'-5"	3'-6"	5'-5"	3'-6"	5'-5"	3'-6"	5'-5"	3'-6"	5'-5"	3'-6"	5'-5"	3'-6"	5'-5"	3'-6"	5'-5"	3'-6"	5'-5"	3'-6"



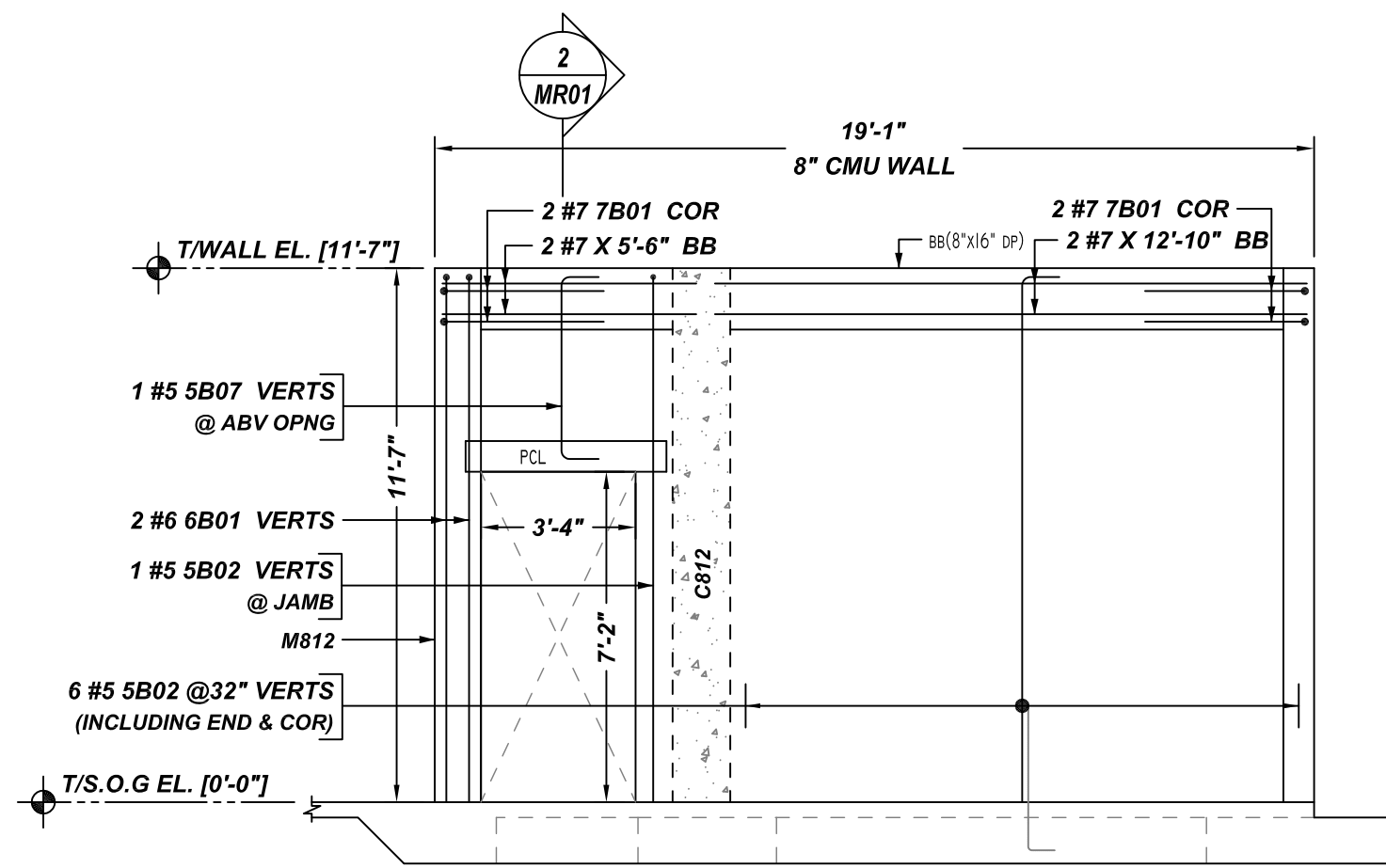
REBAR GRADE 60 ASTM A-615			
SPLICES USED			
CLASS B, 4,000 psi UNO		ABBREVIATIONS	
TOP BARS	OTHER BARS	BAR MARK SIZE EQUIVALENT	
#3 -	#3 -	#3	#10
#4 -	#4 -	#4	#13
#5 -	#5 -	#5	#16
#6 -	#6 -	#6	#19
#7 -	#7 -	#7	#22
#8 -	#8 -	#8	#25
#9 -	#9 -	#9	#29
#10 -	#10 -	#10	#32
#11 -	#11 -	#11	#36
#14 -	#14 -		

JAFCO RESIDENCE
CMU WALL REINFORCEMENT DETAILS
SUNRISE, FLORIDA

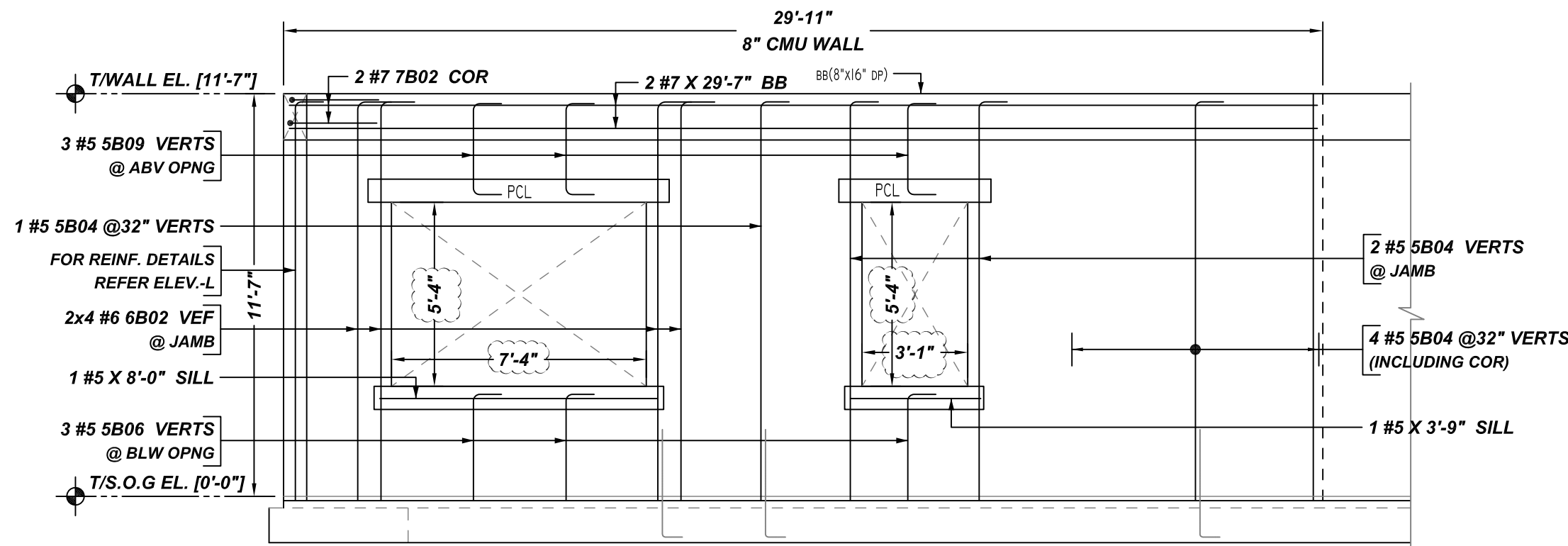
CUSTOMER: -
DESIGNER: -

0	07.20.21	APPROVAL			
REV NO	DATE	SENT FOR	REV NO	DATE	SENT FOR

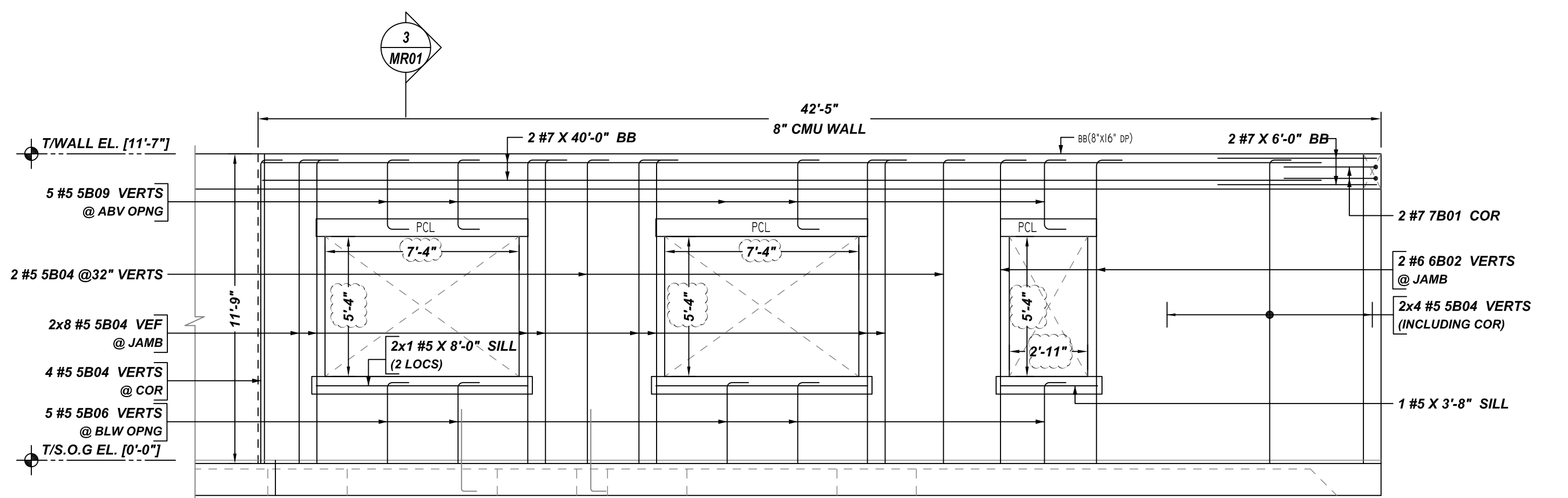
DRAWN BY	DATE	JOB NO	SHEET NO.
GOW/MET	07.20.21	-	M02



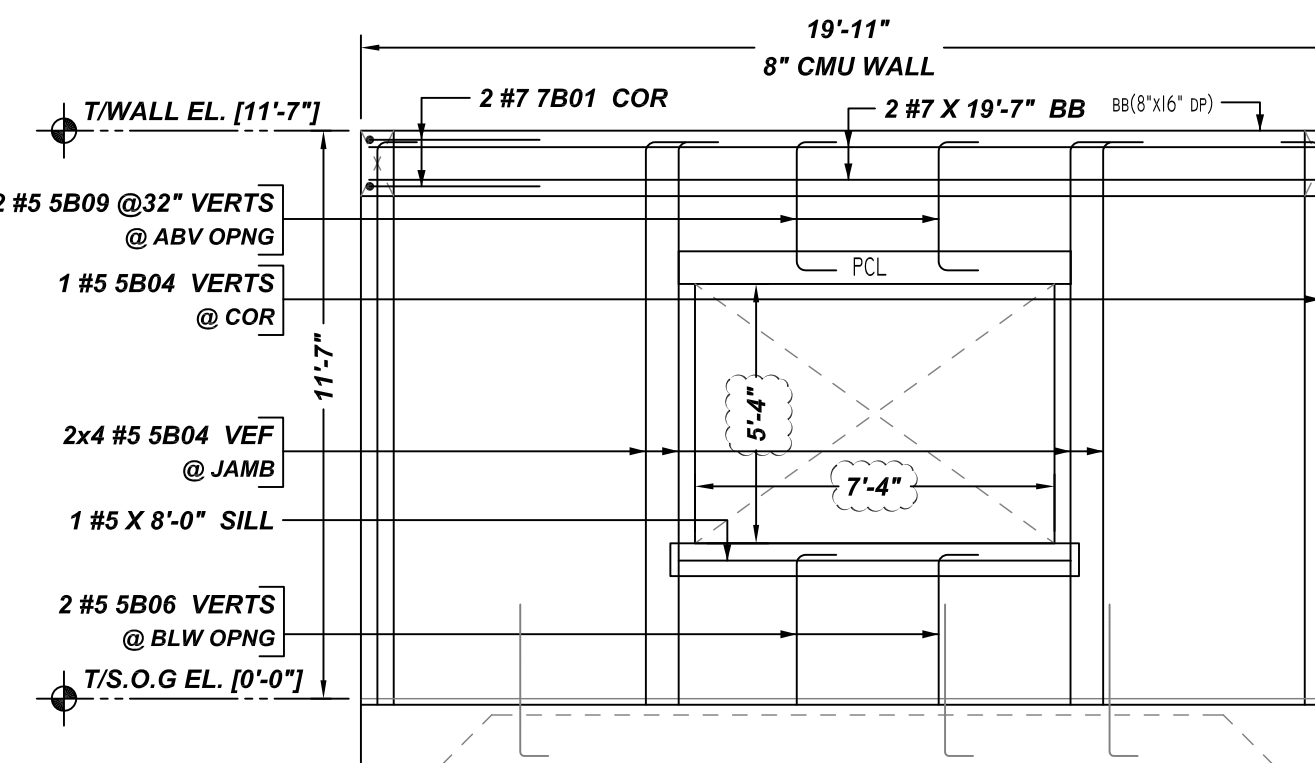
L ELEVATION
SCALE - 1/4"=1'-0"
REF:S1 & S2



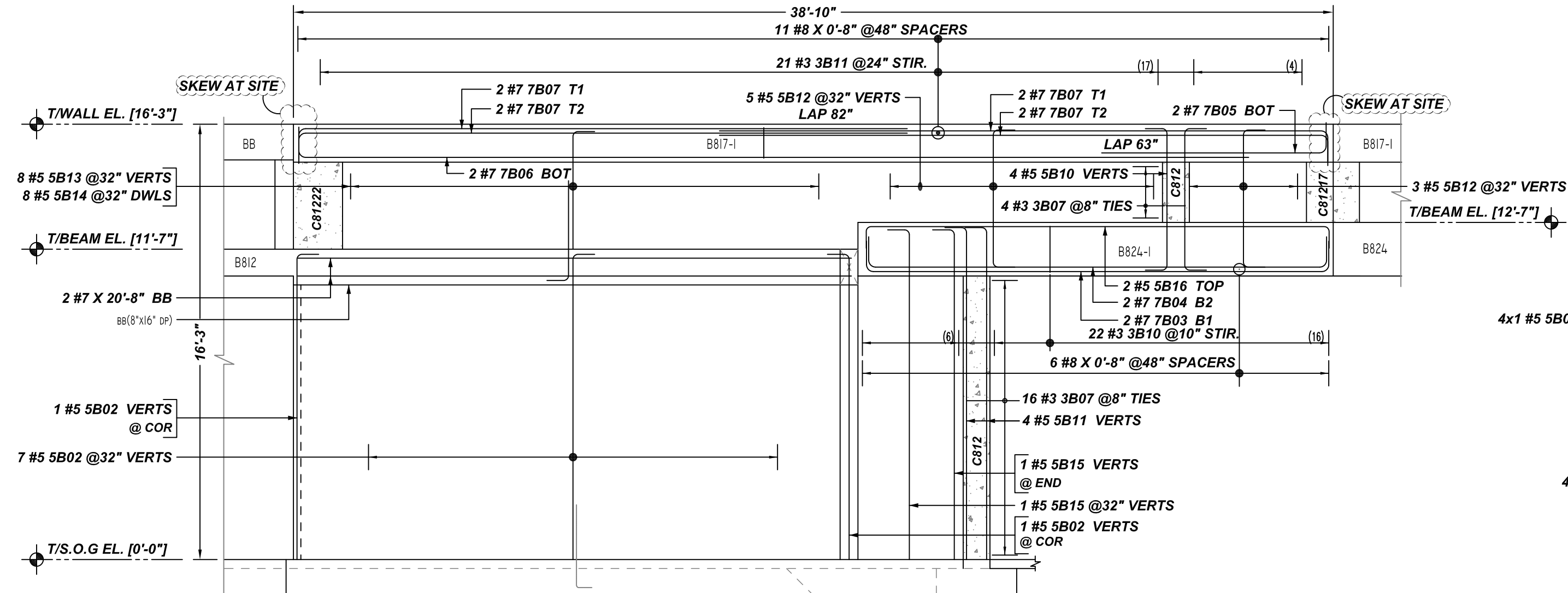
M ELEVATION
SCALE - 1/4"=1'-0"
REF:S1 & S2



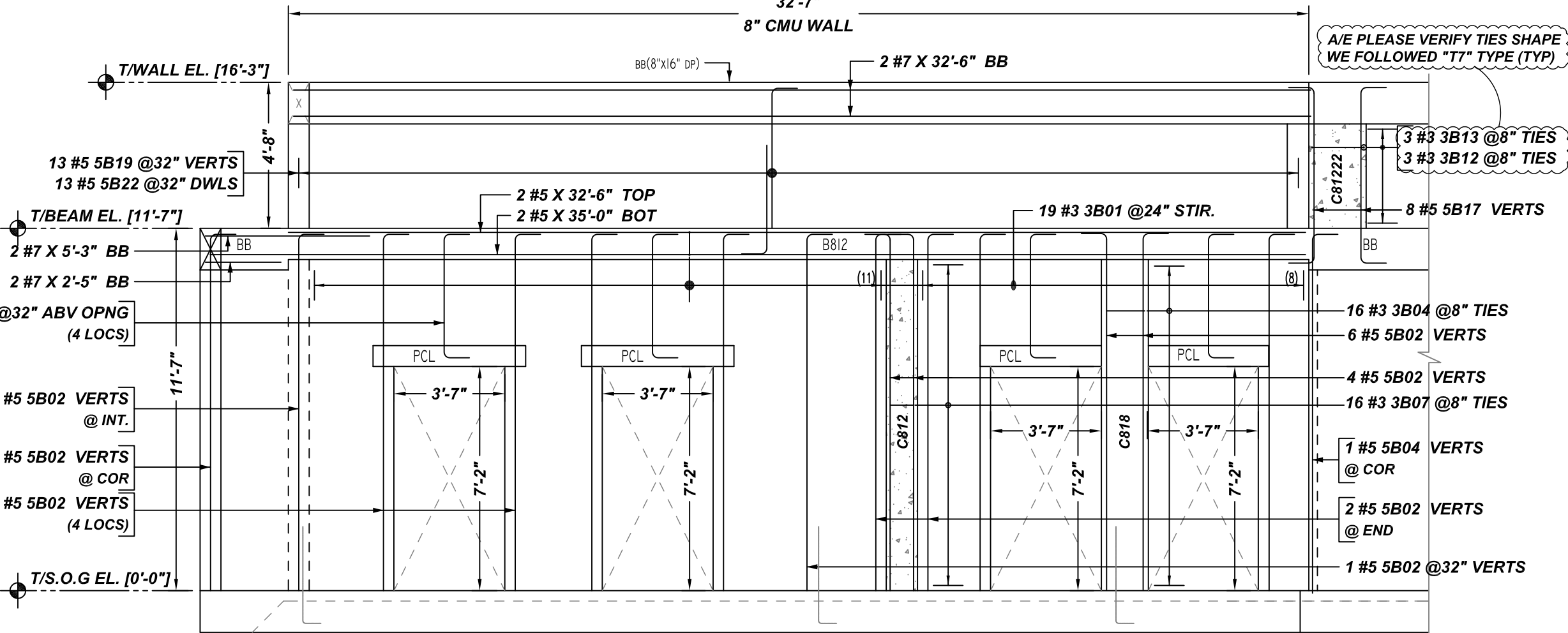
N ELEVATION
SCALE - 1/4"=1'-0"
REF:S1 & S2



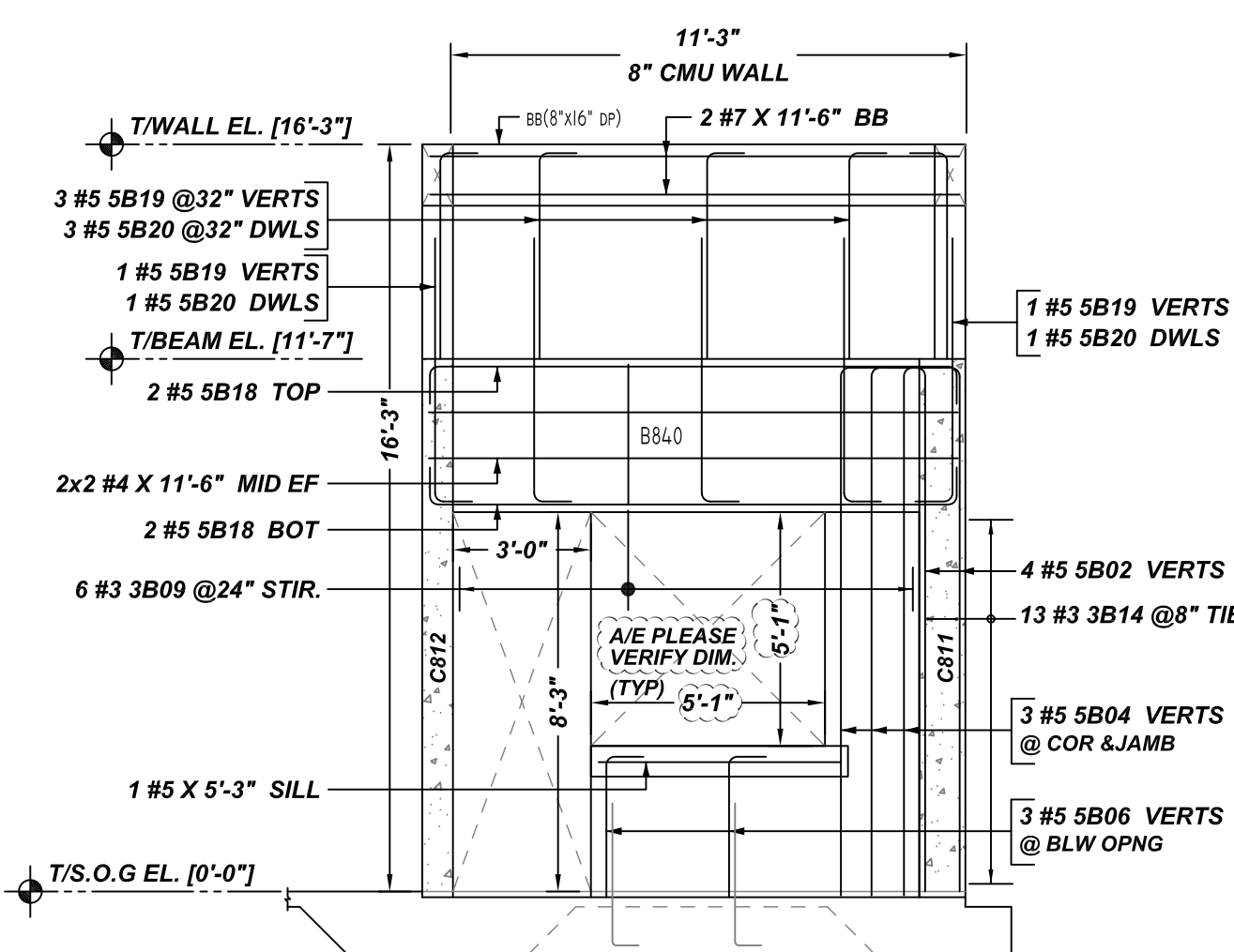
P ELEVATION
SCALE - 1/4"=1'-0"
REF:S1 & S2



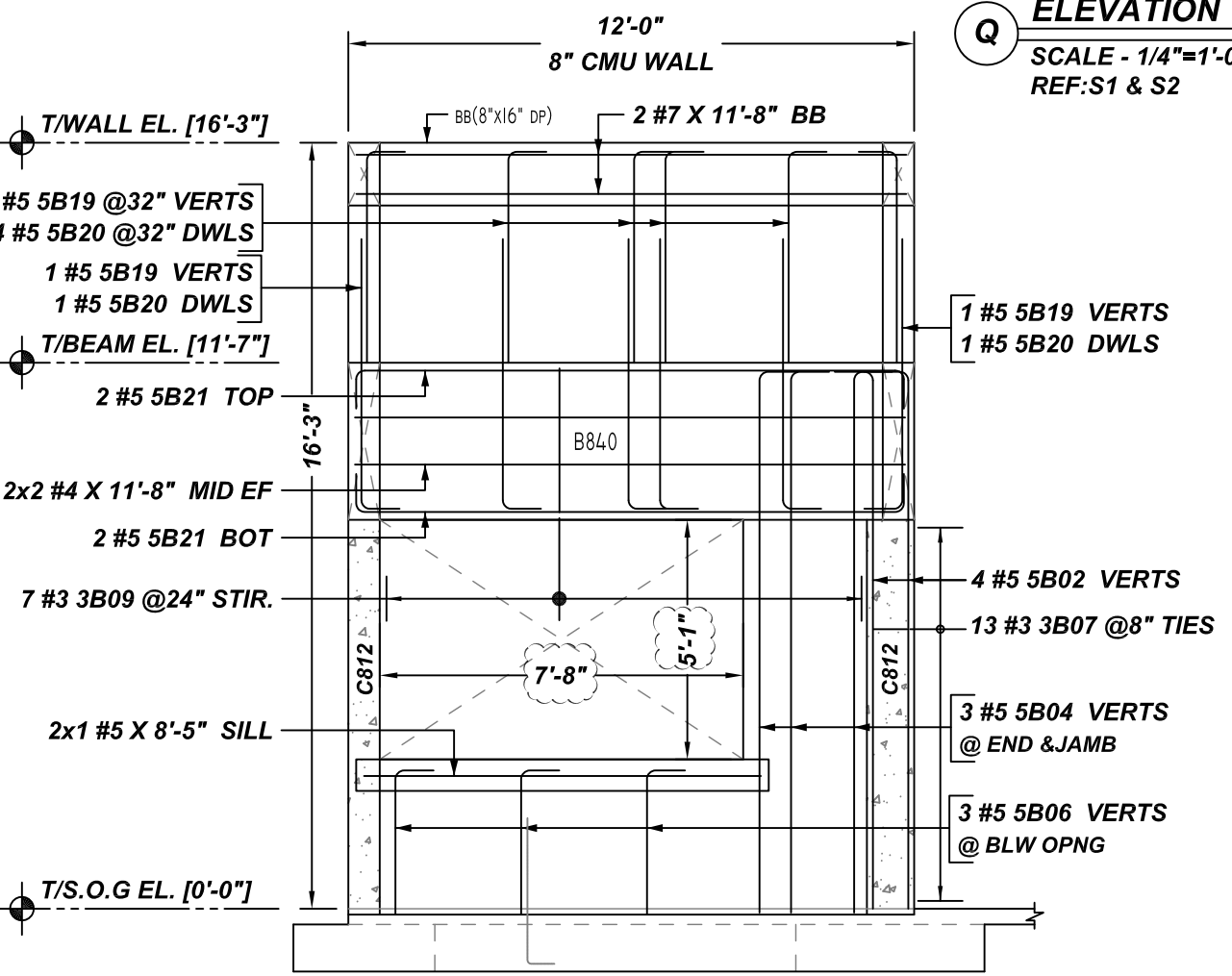
Q ELEVATION
SCALE - 1/4"=1'-0"
REF:S1 & S2



R ELEVATION
SCALE - 1/4"=1'-0"
REF:S1 & S2

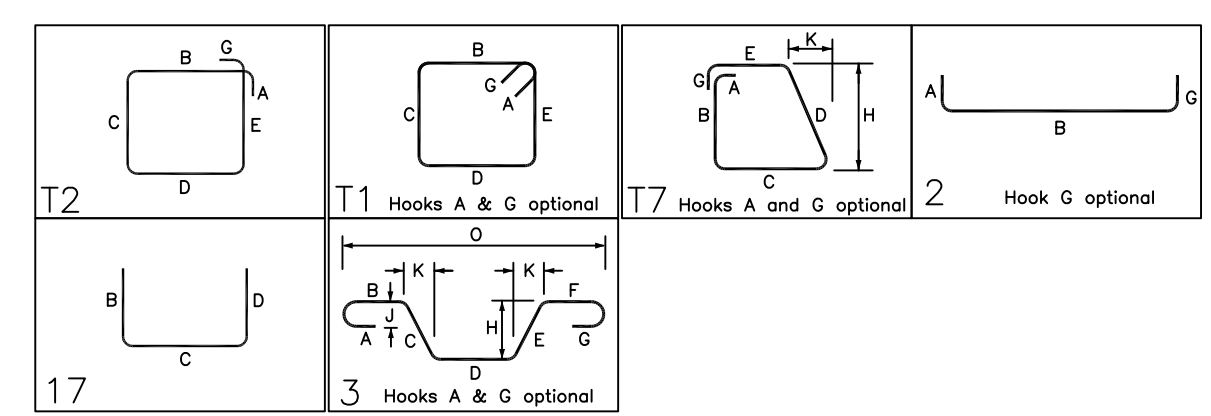


U ELEVATION
SCALE - 1/4"=1'-0"
REF:S1 & S2



T ELEVATION
SCALE - 1/4"=1'-0"
REF:S1 & S2

Bar Mark	Qty	Size	Total Length	Type	X	Y	Z	U	V	W	X	Y	Z	U	V	W	X	Y	Z
3801	18	#3	3'-07"	STB	0'-4"	0'-4"	0'-4"	0'-4"	0'-4"	0'-4"	0'-4"	0'-4"	0'-4"	0'-4"	0'-4"	0'-4"	0'-4"	0'-4"	0'-4"
3804	16	#3	4'-0 X	T1	0'-4 X	0'-5"	1'-3"	0'-5"	1'-3"	0'-4 X	0'-4 X	0'-4 X	0'-4 X	0'-4 X	0'-4 X	0'-4 X	0'-4 X	0'-4 X	0'-4 X
3807	48	#3	3'-0 X	T1	0'-4 X	0'-5"	0'-9"	0'-5"	0'-9"	0'-4 X	0'-4 X	0'-4 X	0'-4 X	0'-4 X	0'-4 X	0'-4 X	0'-4 X	0'-4 X	0'-4 X
3809	13	#3	7'-8 X	T1	0'-4 X	3'-1"	0'-5"	3'-1"	0'-5"	0'-4 X	0'-4 X	0'-4 X	0'-4 X	0'-4 X	0'-4 X	0'-4 X	0'-4 X	0'-4 X	0'-4 X
3810	22	#3	5'-0 X	T1	0'-4 X	1'-9"	0'-5"	1'-9"	0'-5"	0'-4 X	0'-4 X	0'-4 X	0'-4 X	0'-4 X	0'-4 X	0'-4 X	0'-4 X	0'-4 X	0'-4 X
3811	21	#3	3'-10 X	T1	0'-4 X	1'-2"	0'-5"	1'-2"	0'-5"	0'-4 X	0'-4 X	0'-4 X	0'-4 X	0'-4 X	0'-4 X	0'-4 X	0'-4 X	0'-4 X	0'-4 X
3812	3	#3	4'-8 X	T1	0'-4"	0'-5"	1'-8 X	0'-4 X	1'-8 X	0'-4"	0'-5"	0'-4"	0'-5"	0'-4"	0'-5"	0'-4"	0'-5"	0'-4"	0'-5"
3813	9	#3	2'-11 X	T1	0'-4"	0'-5"	0'-10"	0'-4 X	0'-5"	0'-4"	0'-5"	0'-4"	0'-5"	0'-4"	0'-5"	0'-4"	0'-5"	0'-4"	0'-5"
3814	13	#3	2'-10 X	T1	0'-4 X	0'-5"	0'-8"	0'-5"	0'-8"	0'-4 X	0'-4 X	0'-4 X	0'-4 X	0'-4 X	0'-4 X	0'-4 X	0'-4 X	0'-4 X	0'-4 X
5802	47	#5	12'-3	2	0'-10"	11'-5"													
5804	53	#5	12'-4	2	0'-10"	11'-6"													
5806	16	#5	3'-11	2	0'-10"	3'-1"													
5807	3	#5	5'-8	2	0'-10"	4'-0"													
5809	10	#5	4'-4	2	0'-10"	2'-8"													
5810	4	#5	7'-0	2	0'-10"	5'-4"													
5811	4	#5	13'-3	2	0'-10"	12'-5"													
5812	8	#5	6'-10	2	0'-10"	5'-2"													
5813	8	#5	5'-3	2	0'-10"	4'-5"													
5814	8	#5	4'-7	2	0'-10"	3'-9"													
5815	2	#5	13'-2	2	0'-10"	12'-4"													
5816	2	#5	19'-0	2	0'-10"	17'-4"													
5817	8	#5	7'-4	2	0'-10"	5'-8"													
5818	4	#5	13'-2	2	0'-10"	11'-5"													
5819	24	#5	5'-4	2	0'-10"	4'-6"													
5820	11	#5	6'-7	2	0'-10"	5'-9"													
5821	4	#5	13'-4	2	0'-10"	11'-8"													
5822	13	#5	4'-4	2	0'-10"	3'-6"													
6801	2	#6	12'-5	2	1'-0"	11'-5"													
6802	10	#6	12'-5	2	1'-0"	11'-5"													
7801	8	#7	7'-0	1	1'-2"	3'-6"													
7802	2	#7	6'-11 X	3	1'-2"	3'-5"													
7803	2	#7	19'-8	2	1'-2"	17'-4"													
7804	2	#7	19'-6	2	1'-2"	17'-2"													
7805	2	#7	9'-7	2	1'-2"	8'-5"													
7806	2	#7	36'-8	2	1'-2"	35'-6"													
7807	8	#7	23'-11	2	1'-2"	22'-9"													



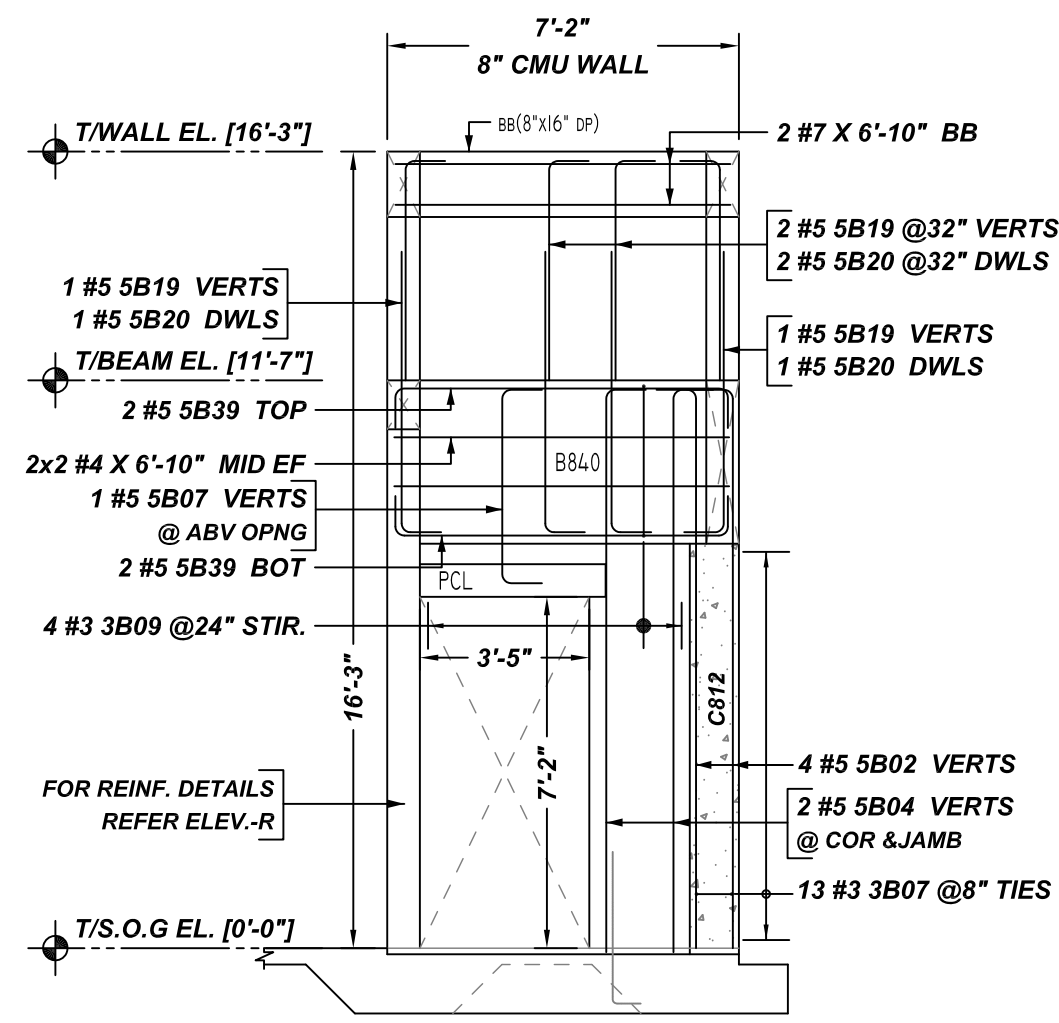
REBAR GRADE 60 ASTM A-615		
SPLICES USED		
CLASS B 4,000 psi UNO	ABBREVIATIONS	BAR MARK SIZE EQUIVALENT
TOP BARS	ADD. = Additional	Imperial
#3 -	B.O.W. = Bottom of wall	Soft Metric
#4 -	C.B. = Corner Bars	#3 #10
#5 -	DIAG. = Diagonal	#4 #13
#6 -	D.O. = Door Opening	#5 #16
#7 -	DWLS. = Dowels	#6 #19
#8 -	E.F. = Each Face	#7 #22
#9 -	E.S. = Each Side	#8 #25
#10 -	E.W. = Each Way	#9 #29
#11 -	FTG. = Footing	#10 #32
#14 -	F.F. = Far Face	#11 #36
	HORIZ. = Horizontal	
	I.F. = Inside Face	
	INTERS. = Intersection	
	L.W. = long Way	
	N.F. = Near Face	
	O.F. = Outside Face	
	S.W. = Short Way	
	T&B = Top & Bottom	
	T.O.W. = Top of Wall	
	Trans. = Transverse	
	VERT. = Vertical	

JAFCO RESIDENCE
CMU WALL REINFORCEMENT DETAILS
SUNRISE, FLORIDA

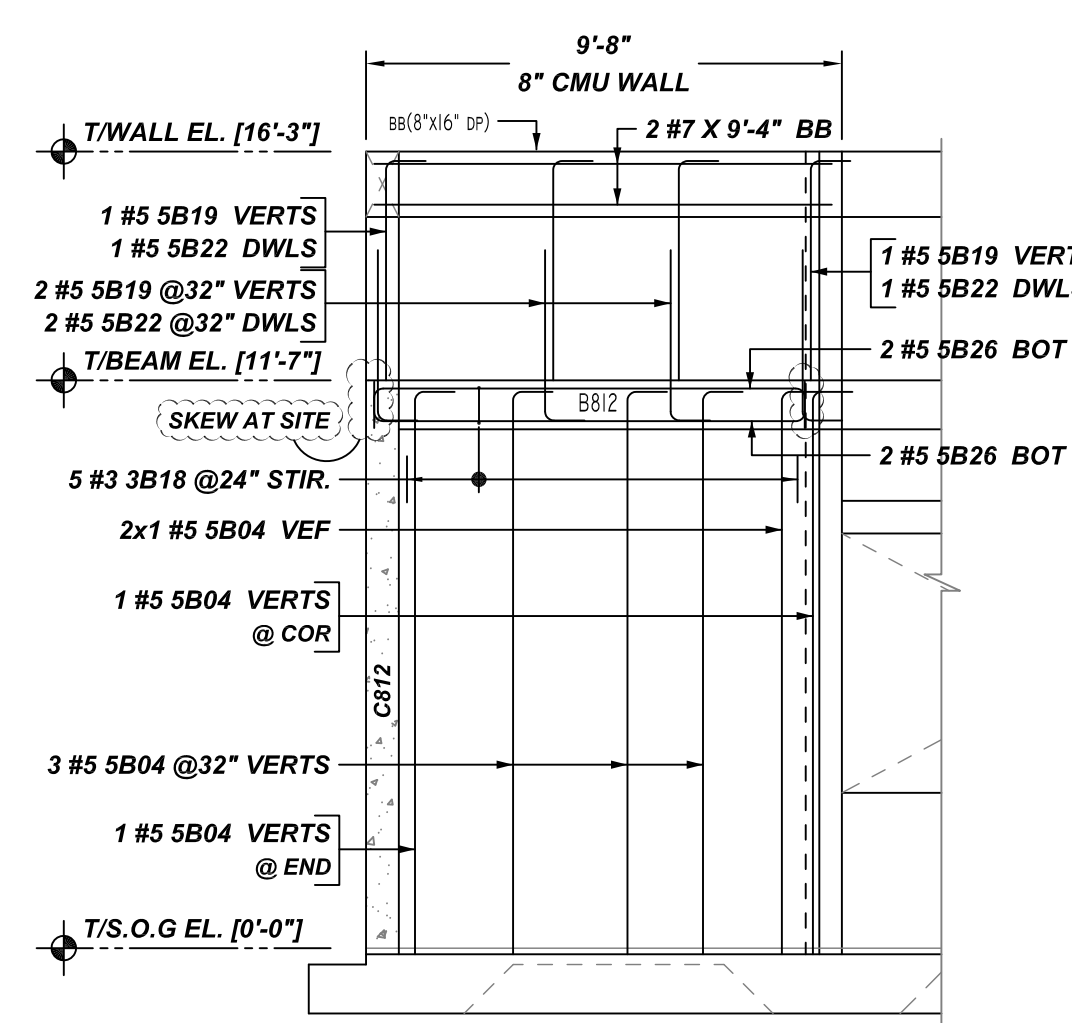
CUSTOMER: -
DESIGNER: -

0	07.20.21	APPROVAL			
REV NO	DATE	SENT FOR	REV NO	DATE	SENT FOR

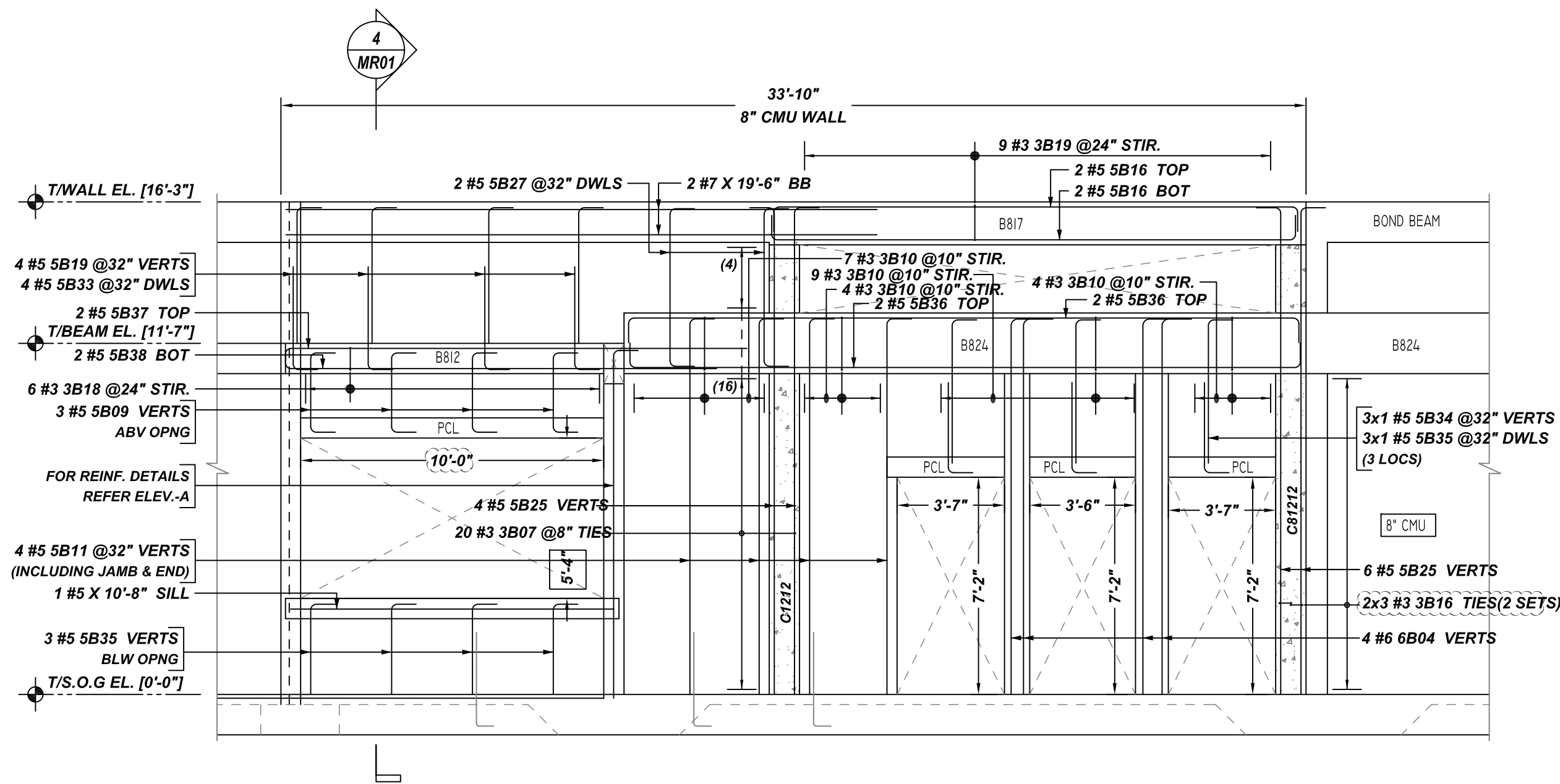
DRAWN BY	DATE	JOB NO	SHEET NO.
GOW/MET	07.20.21	-	M03



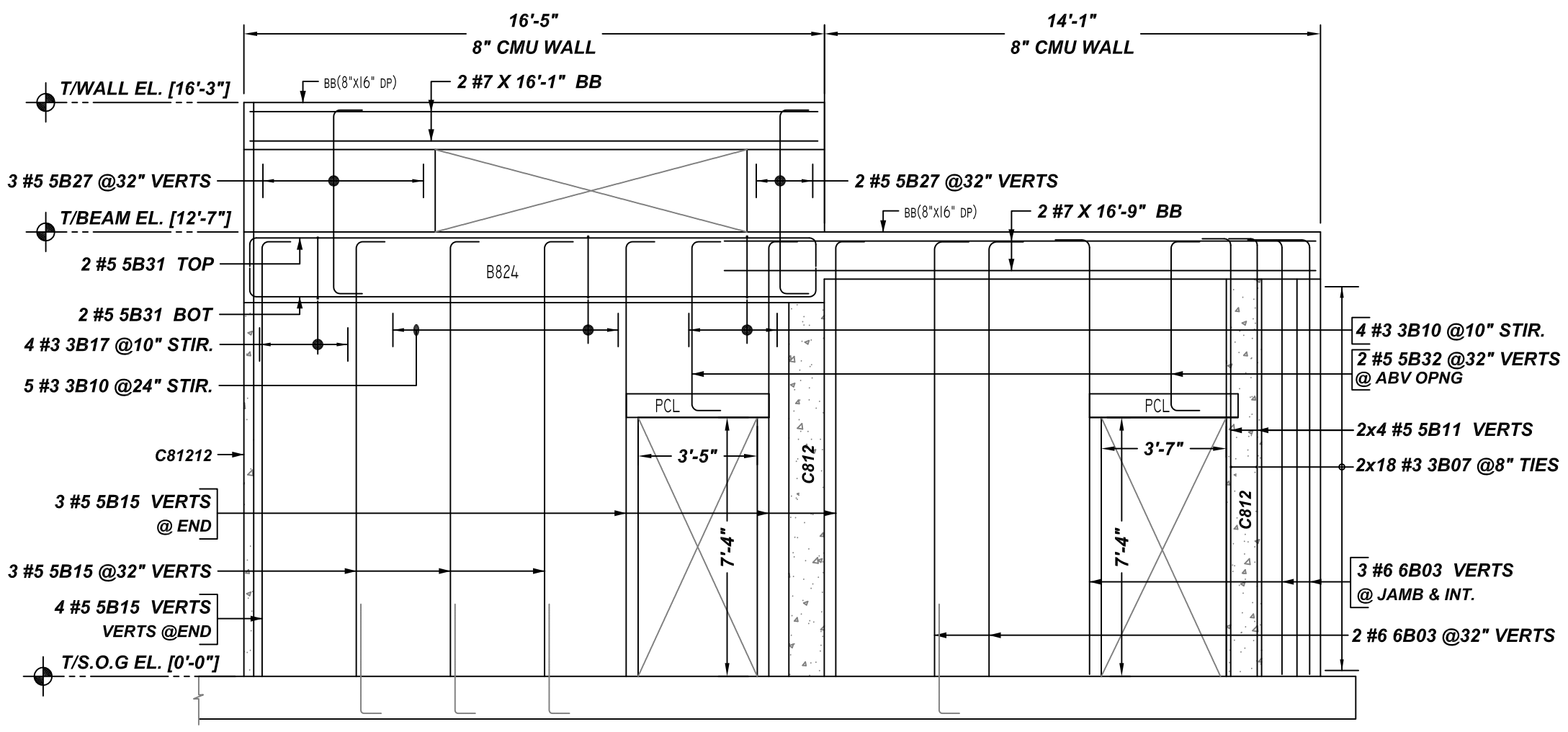
S ELEVATION
SCALE - 1/4"=1'-0"
REF: S1 & S2



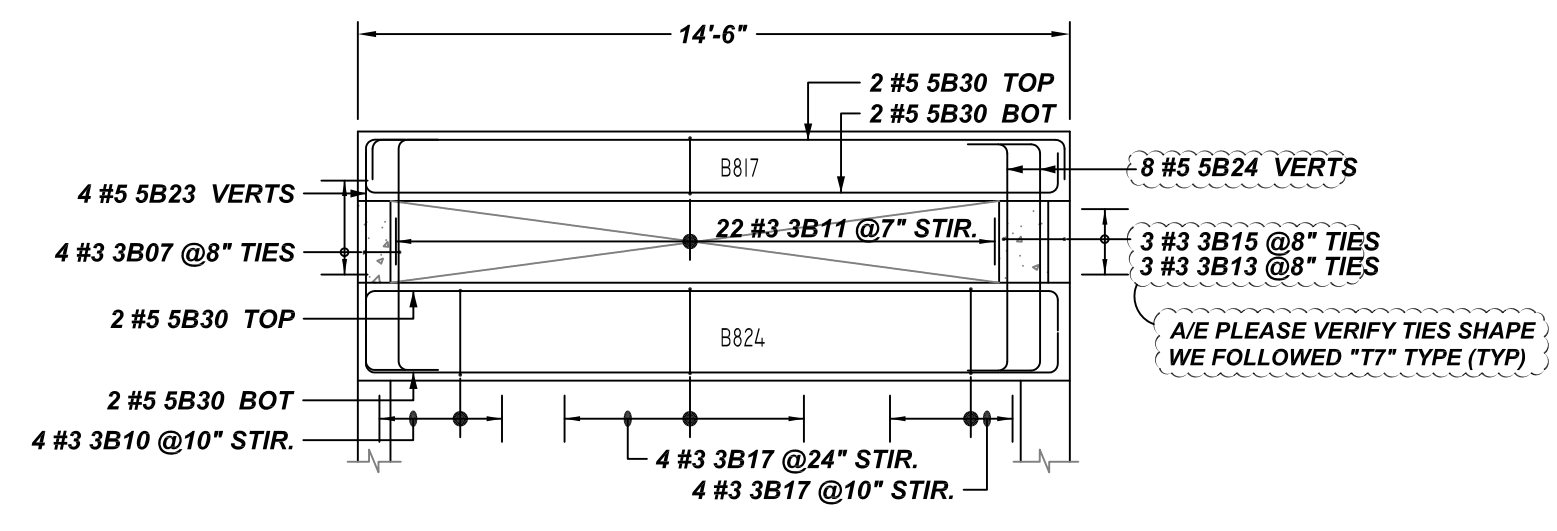
V ELEVATION
SCALE - 1/4"=1'-0"
REF: S1 & S2



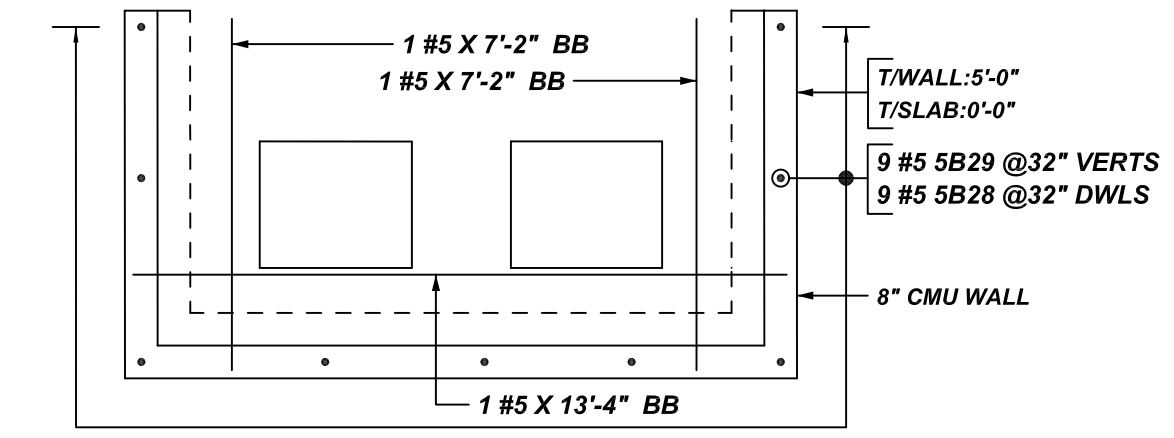
W ELEVATION
SCALE - 1/4"=1'-0"
REF: S1 & S2



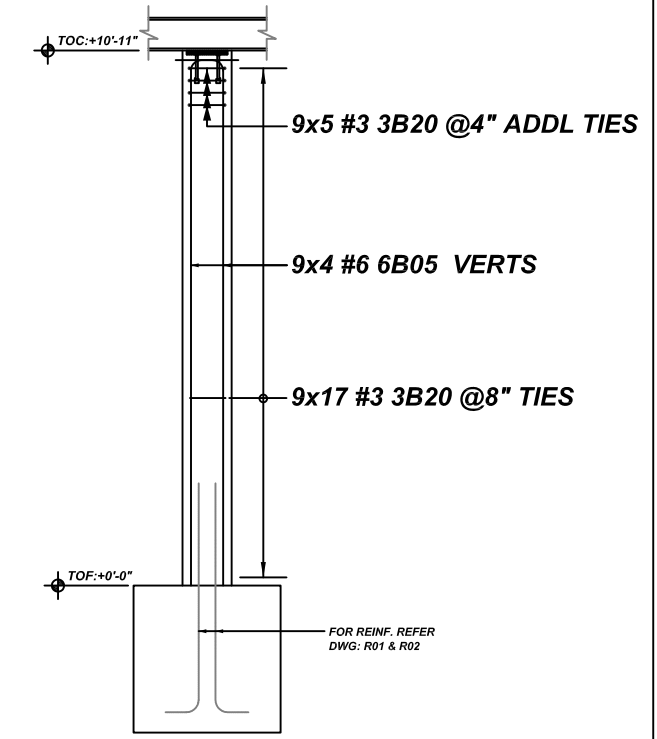
Y ELEVATION
SCALE - 1/4"=1'-0"
REF: S1 & S2



Z ELEVATION
SCALE - 1/4"=1'-0"
REF: S1 & S2

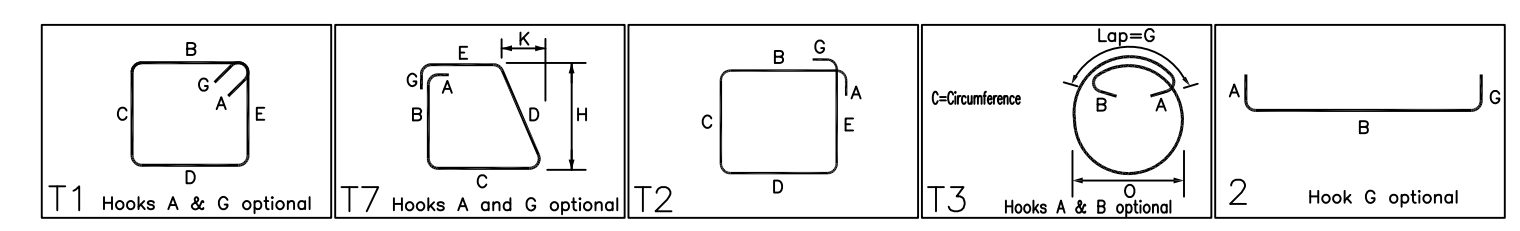


DETAIL-A
REF: S1 & S2
SCALE - 1/4"=1'-0"



CC12
REF: S1 & S2
SCALE - 1/4"=1'-0"
@ 9 LOCATIONS

Release Number: M04	Bar Mark	Qty	Size	Total Length	Type	BENDING DETAILS																			
						X	Y	Z	1'	2'	3'	4'	5'	6'	7'	8'	9'	10'	11'	12'	13'	14'	15'	16'	
3807	13	1	3'-0" X 11	0'-4" X	11	0'-4" X	0'-5"	0'-9"	0'-5"	0'-9"	0'-4" X														
3809	4	1	7'-8" X 11	0'-4" X	11	0'-4" X	3'-1"	0'-5"	3'-1"	0'-5"	0'-4" X														
3810	37	1	5'-0" X 11	0'-4" X	11	0'-4" X	1'-9"	0'-5"	1'-9"	0'-5"	0'-4" X														
3811	22	1	3'-10" X 11	0'-4" X	11	0'-4" X	1'-2"	0'-5"	1'-2"	0'-5"	0'-4" X														
3813	3	1	2'-11" X 17	0'-4" X	17	0'-4" X	0'-5"	0'-10"	0'-4" X	0'-8"	0'-4" X														
3815	3	1	3'-10" X 17	0'-4" X	17	0'-4" X	0'-5"	1'-3" X	0'-4" X	1'-1" X	0'-4" X														
3816	1	1	3'-1" X 17	0'-4" X	17	0'-4" X	0'-5"	0'-11"	0'-4" X	0'-9"	0'-4" X														
3817	11	1	5'-0" X 17	0'-4" X	17	0'-4" X	1'-9"	0'-5"	1'-9"	0'-5"	0'-4" X														
3818	11	1	3'-0" X 11	0'-4" X	11	0'-4" X	0'-9"	0'-5"	0'-9"	0'-5"	0'-4" X														
3819	9	1	3'-10" X 17	0'-4" X	17	0'-4" X	1'-2"	0'-5"	1'-2"	0'-5"	0'-4" X														
3820	198	1	3'-4" X 13	0'-4" X	13	0'-4" X	2'-4" X				1'-0"														
5802	4	1	12'-3" X 2	0'-10"	2	0'-10"	11'-5"																		
5804	8	1	12'-4" X 2	0'-10"	2	0'-10"	11'-6"																		
5807	1	1	3'-8" X 2	0'-10"	2	0'-10"	4'-0"				0'-10"														
5809	1	1	4'-4" X 2	0'-10"	2	0'-10"	2'-8"				0'-10"														
5811	10	1	13'-3" X 2	0'-10"	2	0'-10"	12'-5"																		
5815	10	1	13'-2" X 2	0'-10"	2	0'-10"	12'-4"																		
5816	4	1	19'-0" X 2	0'-10"	2	0'-10"	17'-4"				0'-10"														
5819	10	1	5'-4" X 2	0'-10"	2	0'-10"	4'-6"																		
5820	4	1	6'-7" X 2	0'-10"	2	0'-10"	5'-9"																		
5822	4	1	4'-4" X 2	0'-10"	2	0'-10"	3'-6"																		
5823	4	1	6'-5" X 2	0'-10"	2	0'-10"	4'-9"				0'-10"														
5824	10	1	6'-4" X 2	0'-10"	2	0'-10"	4'-8"				0'-10"														
5825	10	1	16'-11" X 2	0'-10"	2	0'-10"	16'-1"																		
5826	4	1	10'-8" X 2	0'-10"	2	0'-10"	8'-10"				0'-10"														
5827	7	1	6'-11" X 2	0'-10"	2	0'-10"	5'-3"				0'-10"														
5828	8	1	4'-6" X 2	0'-10"	2	0'-10"	3'-8"																		
5829	8	1	5'-8" X 2	0'-10"	2	0'-10"	4'-10"																		
5830	8	1	15'-10" X 2	0'-10"	2	0'-10"	14'-2"				0'-10"														
5831	4	1	17'-9" X 2	0'-10"	2	0'-10"	16'-1"				0'-10"														
5832	3	1	6'-5" X 2	0'-10"	2	0'-10"	4'-10"				0'-10"														
5833	4	1	4'-3" X 2	0'-10"	2	0'-10"	3'-5"																		
5834	3	1	5'-7" X 2	0'-10"	2	0'-10"	4'-9"																		
5835	8	1	3'-10" X 2	0'-10"	2	0'-10"	3'-0"																		
5836	4	1	25'-10" X 2	0'-10"	2	0'-10"	22'-2"				0'-10"														
5837	2	1	16'-1" X 2	0'-10"	2	0'-10"	15'-3"																		
5838	2	1	15'-1" X 2	0'-10"	2	0'-10"	14'-3"																		
6839	1	1	6'-4" X 2	0'-10"	2	0'-10"	4'-10"				0'-10"														
6843	3	1	13'-4" X 2	1'-0"	2	1'-0"	12'-4"																		
6844	4	1	13'-5" X 2	1'-0"	2	1'-0"	12'-5"																		
6845	3	1	11'-9" X 2	1'-0"	2	1'-0"	10'-9"																		



REBAR GRADE 60 ASTM A-615				
SPLICES USED				
CLASS B 4,000 psi UNO				
TOP BARS	OTHER BARS	ABBREVIATIONS		
#3 -	#3 -	ADD. = Additional	BAR MARK SIZE EQUIVALENT	
#4 -	#4 -	B.O.W. = Bottom of wall	Imperial	Soft Metric
#5 -	#5 -	C.B. = Corner Bars	#3	#10
#6 -	#6 -	DIAG. = Diagonal	#4	#13
#7 -	#7 -	D.O. = Door Opening	#5	#16
#8 -	#8 -	D.W.L.S. = Dowels	#6	#19
#9 -	#9 -	E.F. = Each Face	#7	#22
#10 -	#10 -	E.S. = Each Side	#8	#25
#11 -	#11 -	E.W. = Each Way	#9	#29
#14 -	#14 -	FTG. = Footing	#10	#32
		F.F. = Far Face	#11	#36
		HORIZ. = Horizontal		
		I.F. = Inside Face		
		INTERS. = Intersection		
		L.W. = long Way		
		N.F. = Near Face		
		O.F. = Outside Face		
		S.W. = Short Way		
		T&B = Top & Bottom		
		T.O.W. = Top of Wall		
		Trans. = Transverse		
		VERT. = Vertical		

JAFCO RESIDENCE
CMU WALL REINFORCEMENT DETAILS
SUNRISE, FLORIDA

CUSTOMER: -
DESIGNER: -

0	07.20.21	APPROVAL		
REV NO	DATE	SENT FOR	REV NO	DATE

DRAWN BY: GOW/MET DATE: 07.20.21 JOB NO: - SHEET NO. **M04**