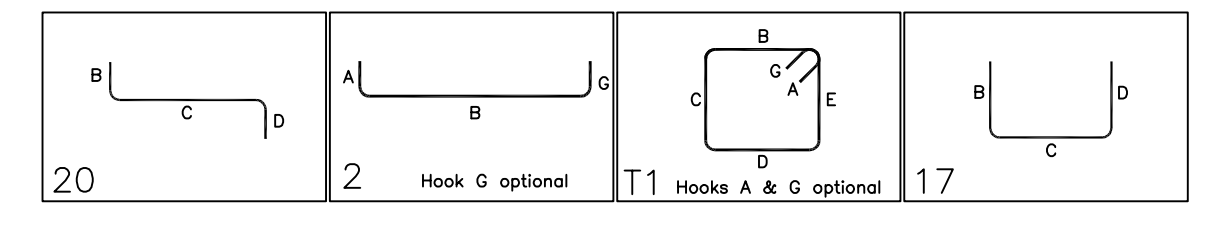


Release Number: R01

Bar Mark	Qty	Size	Total Length	Type	X	Y	Z	W	V	U	T	S	R	Q	P	O	N	M	L	K	J	I	H	G	F	E	D	C	B	A
4A06	15	#4	6'-8"	20																										
4A08	274	#4	5'-2"	2	0'-8"	4'-6"																								
4A10	38	#4	7'-5"	11	0'-4"	1'-8"	1'-8"	1'-8"	1'-8"	0'-4"																				
4A11	105	#4	3'-1"	2	0'-8"	2'-5"																								
4A17	12	#4	6'-2"	17																										
R01	8	#6	5'-5"	2	1'-4"	4'-1"																								
R02	8	#6	4'-11"	2	1'-4"	3'-7"																								
R03	8	#6	4'-10"	2	1'-4"	3'-6"																								



FOOTING SCHEDULE					
MARK	QTY	SIZE	GRID LOCATION	REINFORCING	REMARK
CF2.5	12	2'-6"X2'-6"X1'-0"	0.1/A, 1.0, 1/A, 2.0, 1/A, 3, 0.1/A, 4.0, 1/B, 1, 1/B, 0.1/A, 1, 2/B, 2, 1/B, 2, 2/B, 2.3/B, 3.1/B & 3.2/B	12x2x3 #4 X 2'-0" B EW	REFER SECTION-4
CF4	2	4'-0"X4'-0"X1'-0"	1/A & 7/A	2x2x4 #4 X 3'-6" B EW	REFER SECTION-1
CF5	9	5'-0"X5'-0"X1'-2"	2/A, 3/A, 4/A, 5/A, 6/A, 3.3/C, 4.1/C, 3.3/A, 8 & 4.1/A, 8	9x2x5 #5 X 4'-6" B EW	REFER SECTION-1
TS6.5	8	6'-6"X6'-6"X2'-0"	-	8x2x8 #6 X 6'-0" B EW	REFER SECTION-1

PIER SCHEDULE						
MARK	QTY	SIZE	GRID LOCATION	VERTS	TIES & ADD'L TIES	REMARK
P1	2	2'-0"X2'-0"X1'-0"	A/1 & A/7	2x4 #8 8A03 D/V	2x3 #4 4A10 @2" T TIES 2x3 #4 4A10 @12" TIES	REFER SECTION-2
P2	2	2'-0"X2'-0"X1'-2"	A, 8/3, 3 & A, 8/4, 1	2x4 #8 8A02 D/V	2x3 #4 4A10 @2" T TIES 2x3 #4 4A10 @12" TIES	REFER SECTION-2
P3	2	2'-0"X2'-0"X1'-2"	C/3, 3 & C, 4, 1	2x4 #8 8A01 D/V	2x3 #4 4A10 @2" T TIES 2x4 #4 4A10 @12" TIES	REFER SECTION-2

LAP SCHEDULE
3000 PSI (CLASS-B) CASE - 1
Per ACI 318 (12.2.2)

BAR#	LENGTHS	
	TOP	OTHERS
#3	2'-4"	1'-10"
#4	3'-1"	2'-5"
#5	3'-11"	3'-0"
#6	4'-8"	3'-7"
#7	6'-9"	5'-3"
#8	7'-9"	6'-0"
#9	8'-9"	6'-9"
#10	9'-10"	7'-7"
#11	10'-11"	8'-5"

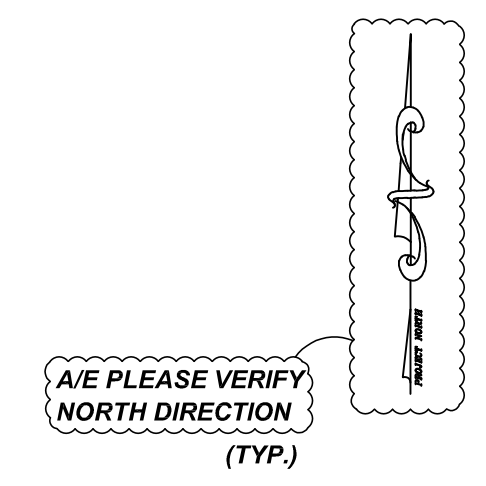
**ALL BARS IN THIS DRAWING
ASTM A615 GRADE 60
BLACK UNCOATED**

TYPICAL REINFORCING BAR CLEARANCE TABLE	
LOCATION	MIN. COVER
FOOTING (ALL SIDE)	3" CLR
PIER	2" CLR

ALL TOP BARS ARE DEFINED AS HORIZ BARS WITH MORE THAN 12" OF CONCRETE BELOW BARS.

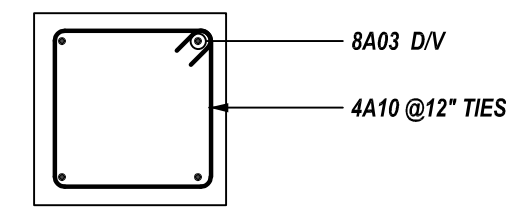
FOUNDATION REINFORCEMENT DETAILS

REF: S101, S301 & S502
SCALE: 1/8" = 1'-0"

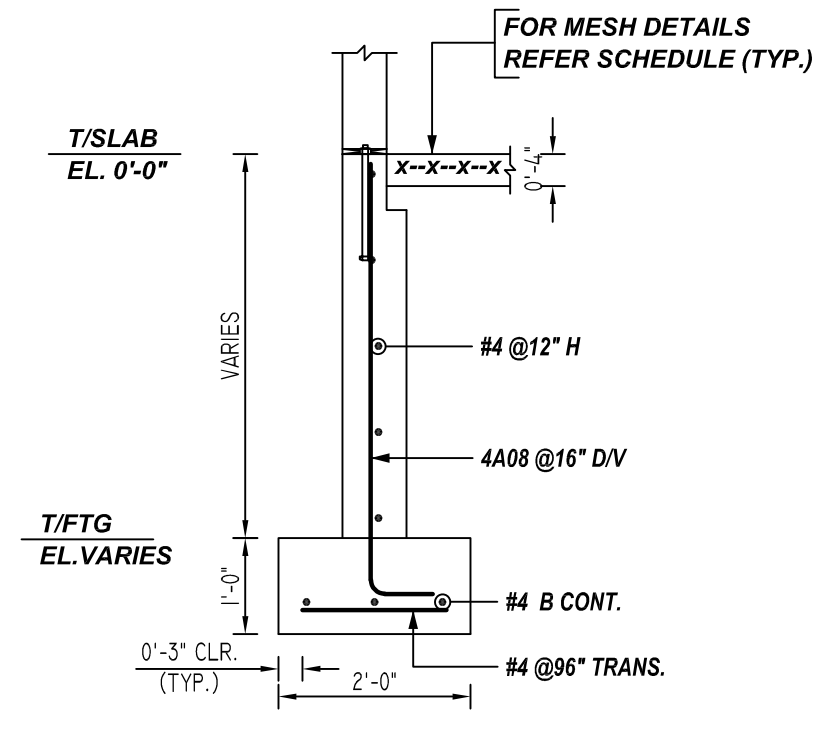


FOR APPROVAL

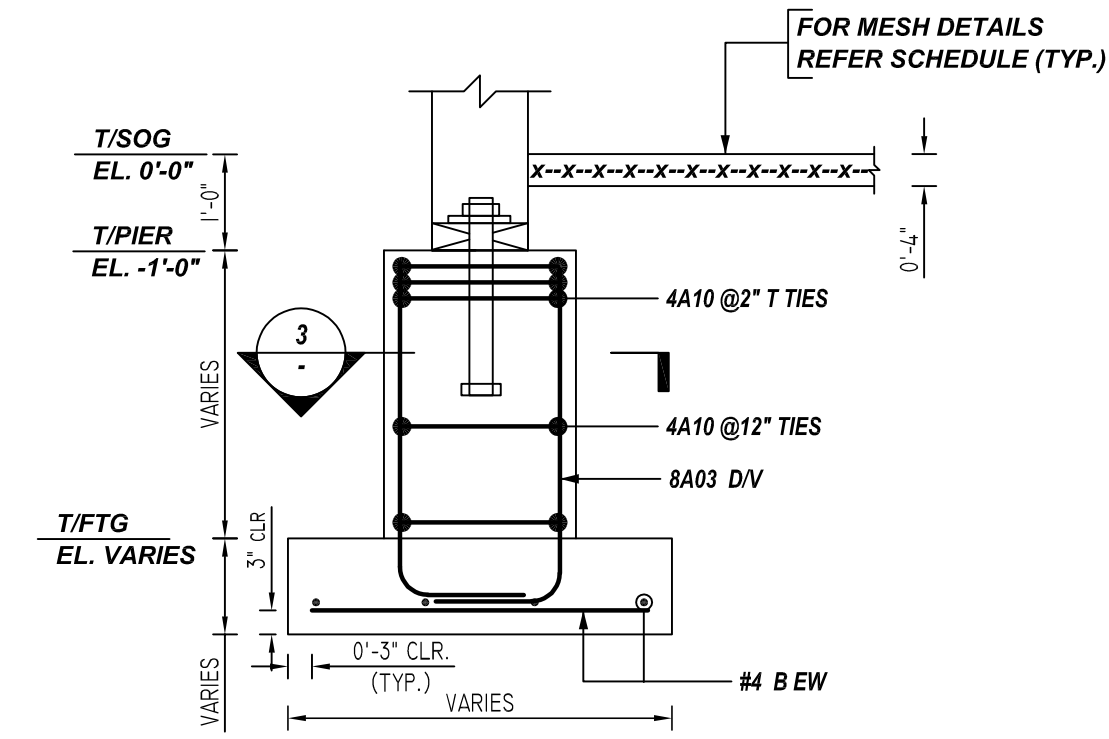
GRADE	A615/60(UNO)				
PREFIX	A				
BAR LIST NOS.					
REV	DESCRIPTION	ISSUED DATE	ISSUED FOR	STRUCTURE	FOUNDATION REINFORCEMENT DETAILS
0	IFA	10/07/2022	APPROVAL	FLOOR	FOUNDATION
				JOB NO	-
				CUSTOMER	GRADE INDUSTRIAL
				JOB	EASTDALE-DUTCHESS ASC
				LOCATION	325 FOUNDERS WAY, NEW YORK 12603
	DRAWN	DATE	CONTROL CODE	DWG. NO.	
	MRS	10/07/2022	-	R01	



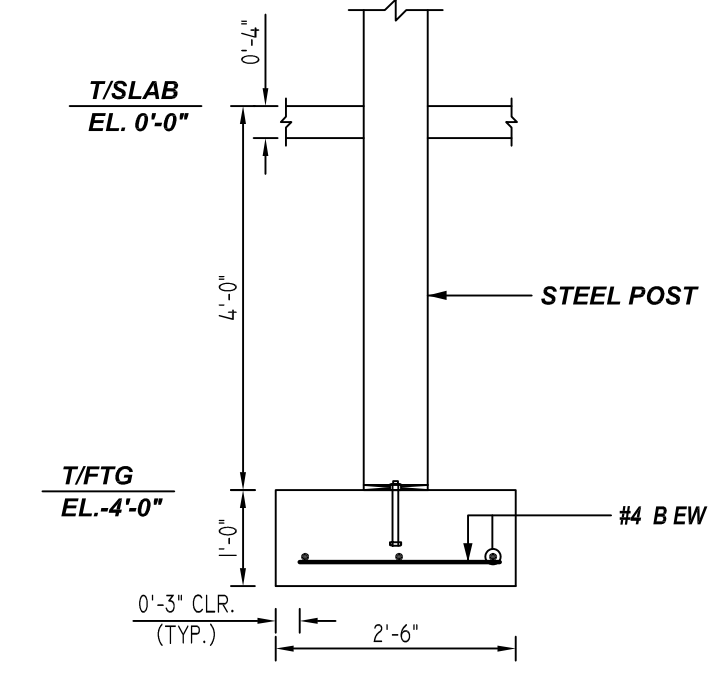
3 SECTION
REF: S502
SCALE: 1/2" = 1'-0"



1 SECTION
REF: 1/S301
SCALE: 1/2" = 1'-0"

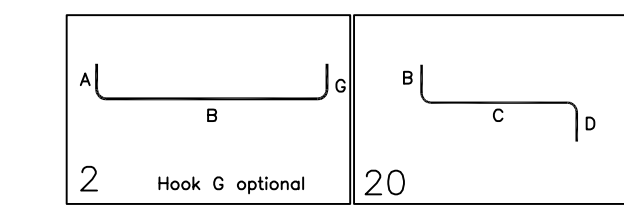


2 SECTION
REF: S502
SCALE: 1/2" = 1'-0"



4 SECTION
REF: 1/S301
SCALE: 1/2" = 1'-0"

Bar Mark	Qty	Size	Total Length	Type	X'	Y'	Z'	W'	V'	U'	T'	S'	R'	Q'	P'	O'	N'	M'	L'	K'	J'	I'	H'	G'	F'	E'	D'	C'	B'	A'
4A07	7	#4	4'-0"	2	0'-8"	3'-4"																								
4A08	1	#4	5'-2"	2	0'-8"	4'-8"																								
4A09	24	#4	6'-5"	20	0'-8"	2'-8"	1'-8"	2'-0"																						
4A12	3	#4	4'-4"	2	0'-8"	3'-8"																								
4A13	3	#4	6'-8"	20	0'-8"	2'-8"	1'-8"	2'-5"																						
4A14	3	#4	2'-2"	2	0'-8"	1'-8"																								
4A15	3	#4	5'-4"	20	0'-8"	2'-8"	1'-8"	1'-1"																						
4A16	24	#4	2'-2"	2	0'-8"	2'-8"																								
4A18	7	#4	5'-3"	2	0'-8"	4'-7"																								



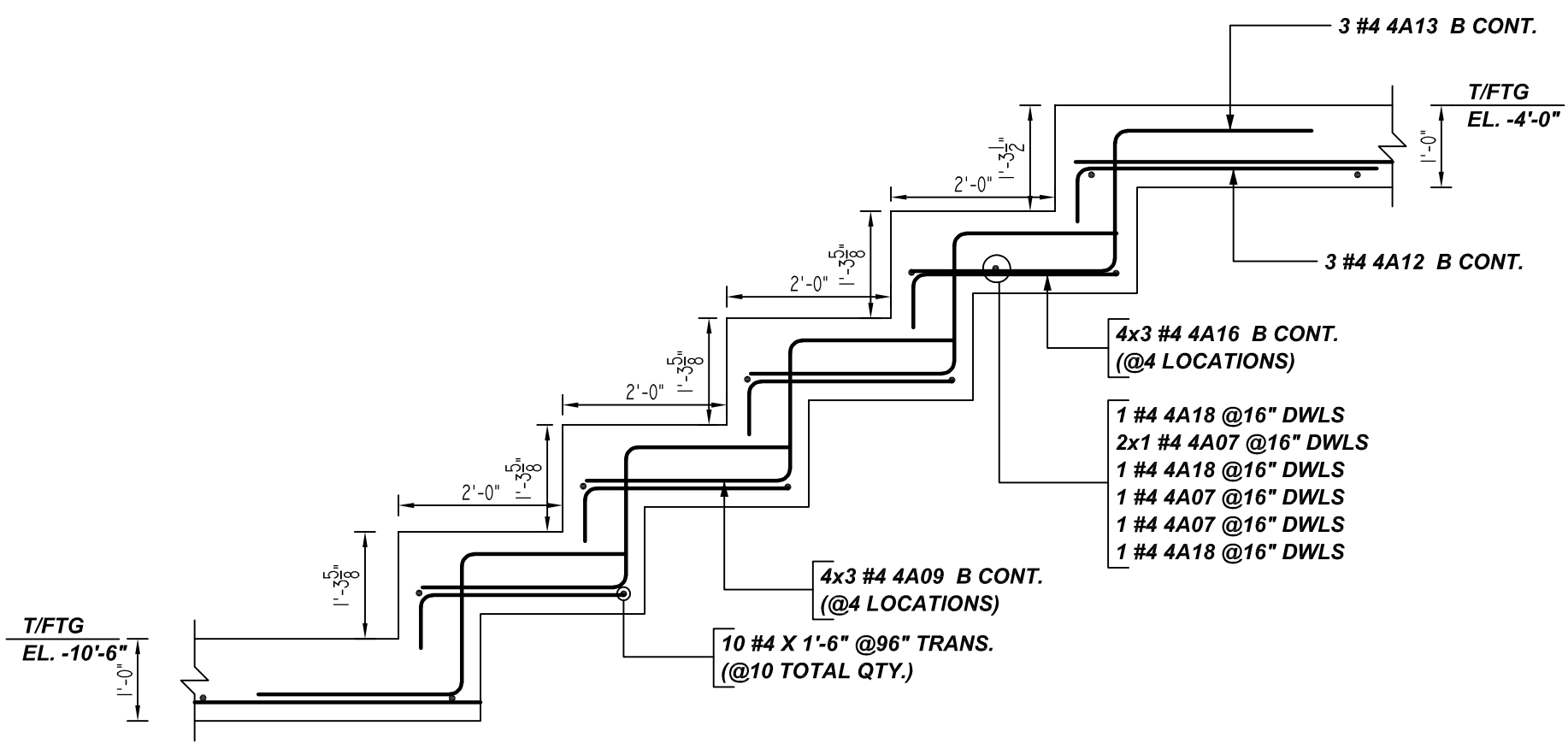
LAP SCHEDULE
3000 PSI (CLASS-B) CASE - 1
Per ACI 318 (12.2.2)

BAR#	LENGTHS	
	TOP	OTHERS
#3	2'-4"	1'-10"
#4	3'-1"	2'-5"
#5	3'-11"	3'-0"
#6	4'-8"	3'-7"
#7	6'-9"	5'-3"
#8	7'-9"	6'-0"
#9	8'-9"	6'-9"
#10	9'-10"	7'-7"
#11	10'-11"	8'-5"

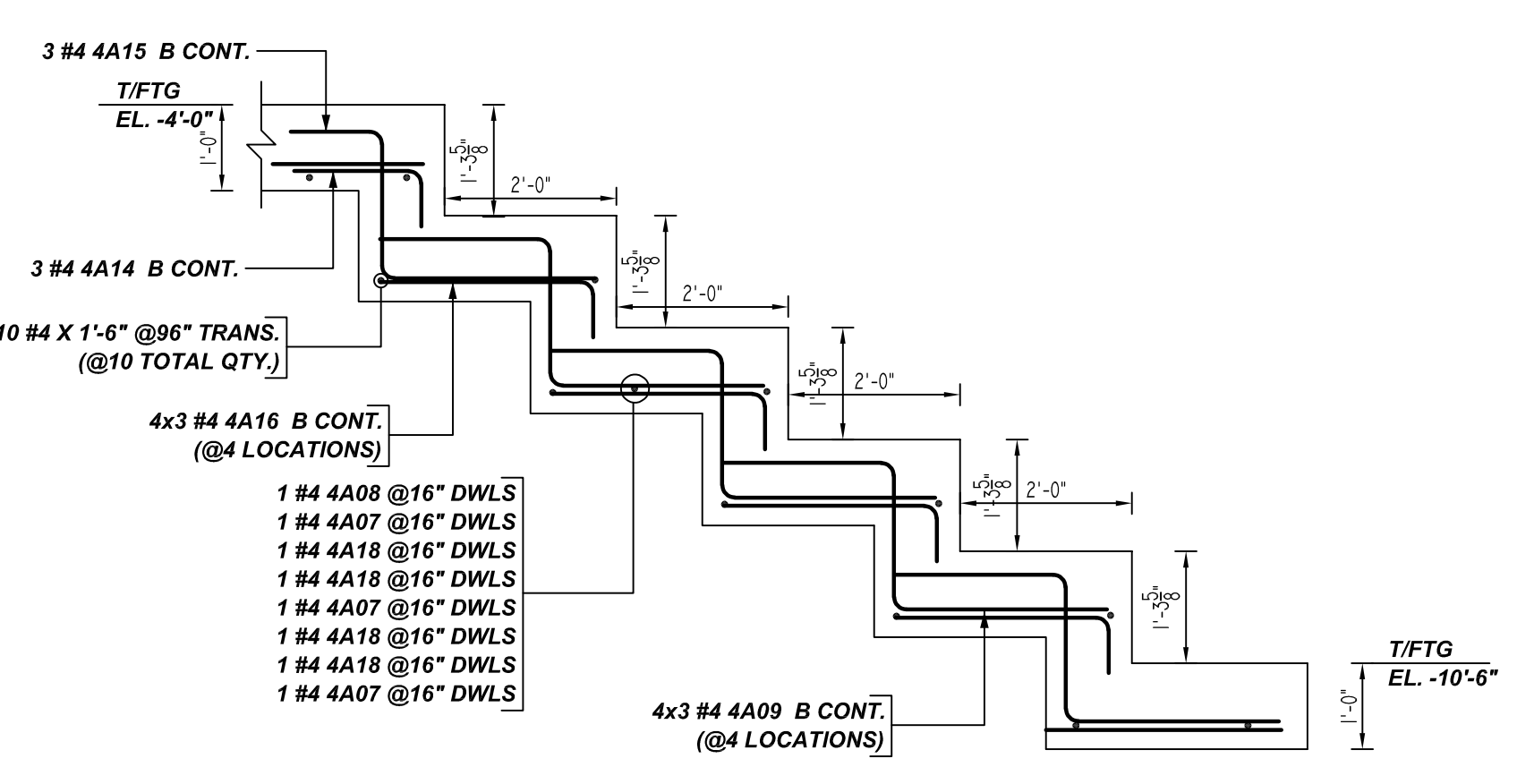
**ALL BARS IN THIS DRAWING
ASTM A615 GRADE 60
BLACK UNCOATED**

TYPICAL REINFORCING BAR CLEARANCE TABLE	
LOCATION	MIN. COVER
FOOTING (ALL SIDE)	3" CLR
PIER	2" CLR

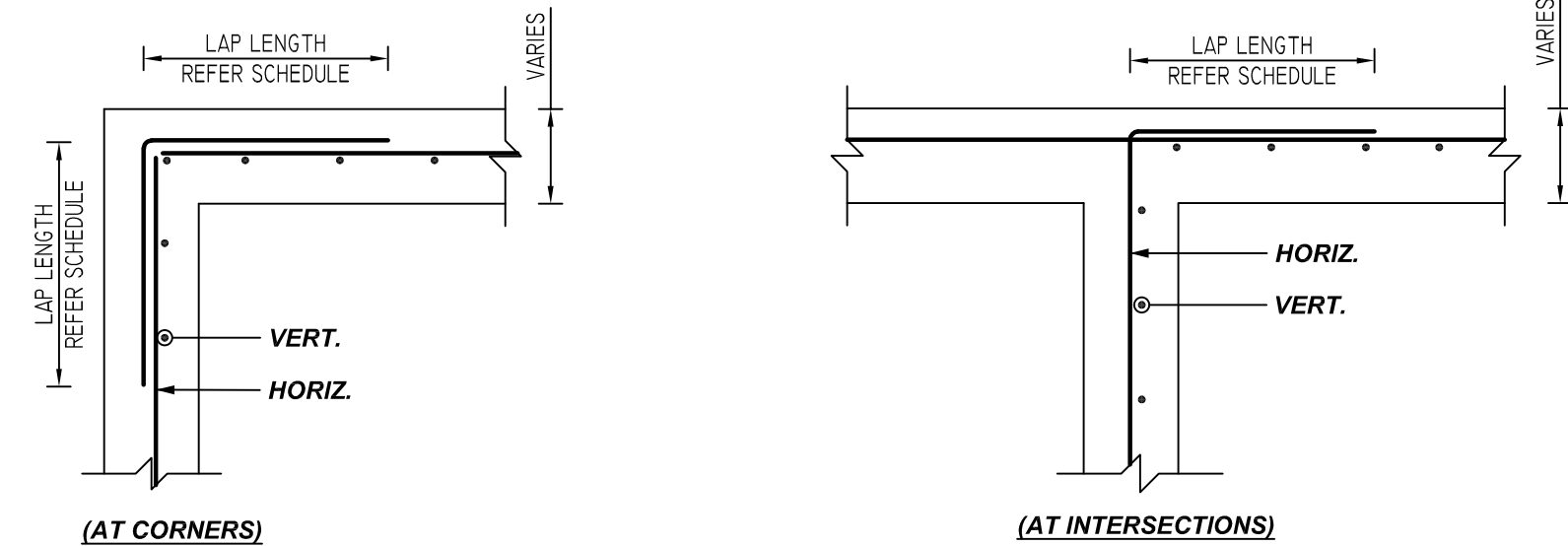
ALL TOP BARS ARE DEFINED AS HORIZ BARS WITH MORE THAN 12" OF CONCRETE BELOW BARS.



DETAIL - A
REF: S101 & S501
SCALE: 1/2" = 1'-0"



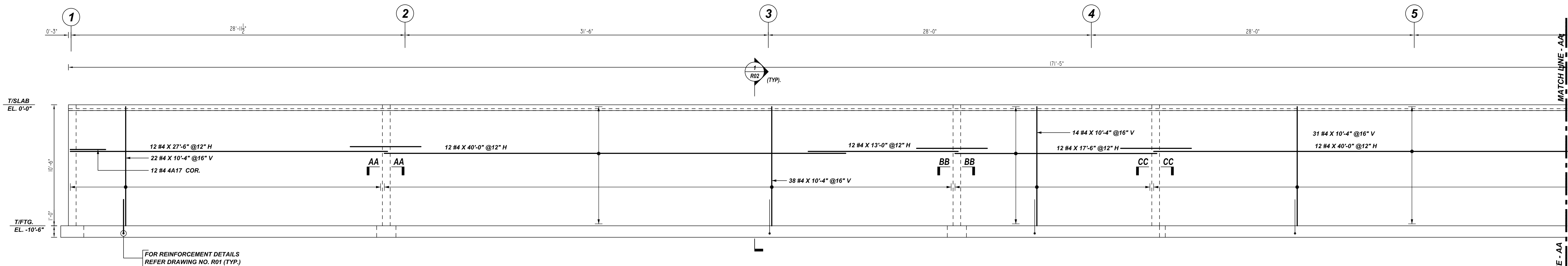
DETAIL - B
REF: S101 & S501
SCALE: 1/2" = 1'-0"



TYPICAL CORNER DETAILS
REF: S-302
SCALE: 1/2" = 1'-0"

FOR APPROVAL

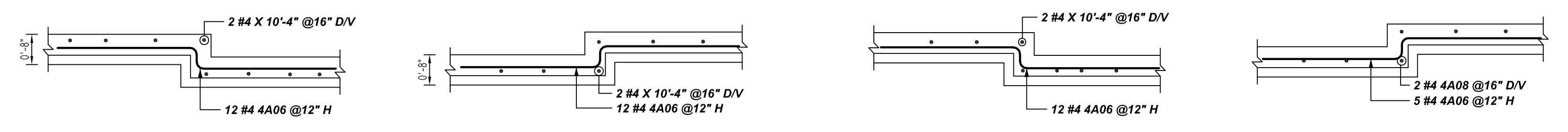
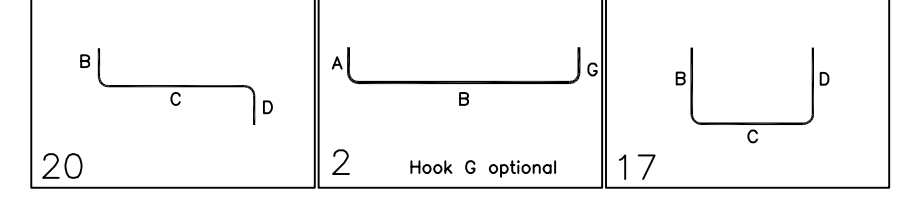
GRADE	A615/60(UNO)				
PREFIX	A				
BAR LIST NOS.					
REV	DESCRIPTION	ISSUED DATE	ISSUED FOR	STRUCTURE	FOUNDATION REINFORCEMENT DETAILS
0	IFA	10/07/2022	APPROVAL	FLOOR	FOUNDATION
				JOB NO	-
				CUSTOMER	GRADE INDUSTRIAL
				JOB	EASTDALE-DUTCHESS ASC
				LOCATION	325 FOUNDERS WAY, NEW YORK 12603
	DRAWN	DATE	CONTROL CODE	DWS. NO.	
	MRS	10/07/2022	-	R02	



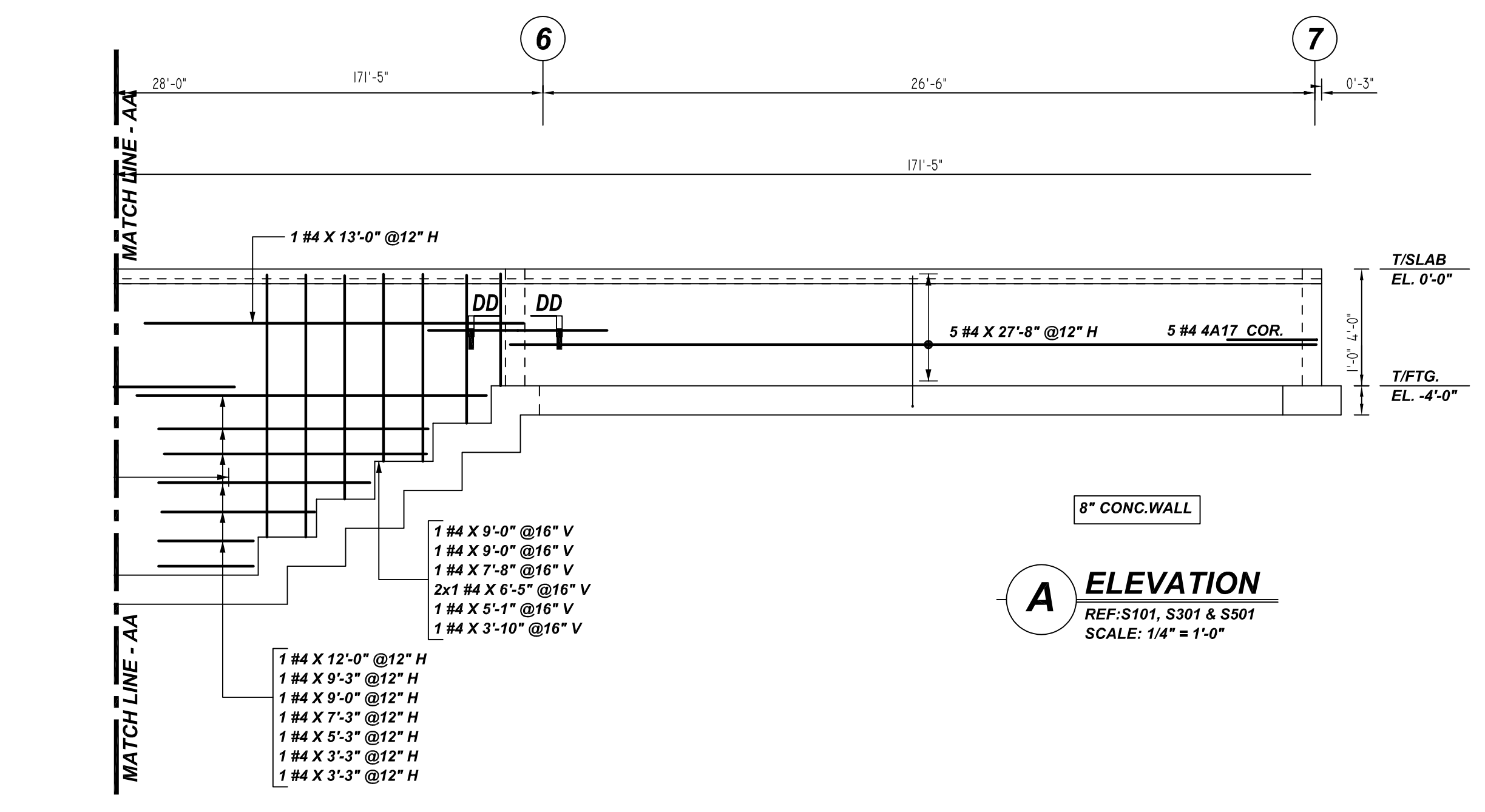
8" CONC.WALL
A ELEVATION
 REF:S101, S301 & S501
 SCALE: 1/4" = 1'-0"

Release Number: R03

Bar Mark	Qty	Size	Total Length	Type	X	Y	Z	Y	Y	Y	Y	Y	Y	Y
4A05	14	#4	6'-3"	20		3'-1"	0'-6"	3'-1"						
4A06	2	#4	5'-2"	2		0'-8"	4'-6"							
4A17	17	#4	6'-2"	17		3'-1"	3'-1"							

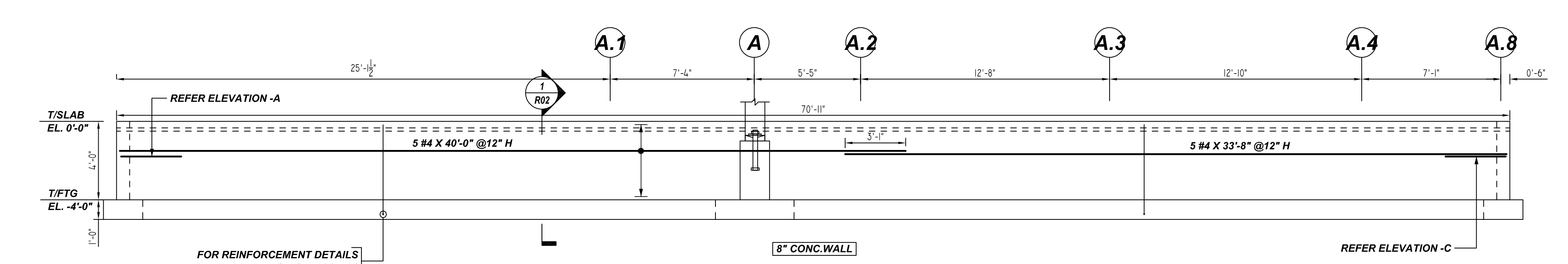


PLAN VIEW - AA REF:S101, S301 & S501 SCALE: 1/2" = 1'-0"
PLAN VIEW - BB REF:S101, S301 & S501 SCALE: 1/2" = 1'-0"
PLAN VIEW - CC REF:S101, S301 & S501 SCALE: 1/2" = 1'-0"
PLAN VIEW - DD REF:S101, S301 & S501 SCALE: 1/2" = 1'-0"



8" CONC.WALL
A ELEVATION
 REF:S101, S301 & S501
 SCALE: 1/4" = 1'-0"

FOR APPROVAL



8" CONC.WALL
B ELEVATION
 REF:S101, S301 & S501
 SCALE: 1/4" = 1'-0"

LAP SCHEDULE
 3000 PSI (CLASS-B) CASE - 1
 Per ACI 318 (12.2.2)

BAR#	LENGTHS	
	TOP	OTHERS
#3	2'-4"	1'-10"
#4	3'-1"	2'-5"
#5	3'-11"	3'-0"
#6	4'-8"	3'-7"
#7	6'-9"	5'-3"
#8	7'-9"	6'-0"
#9	8'-9"	6'-9"
#10	9'-10"	7'-7"
#11	10'-11"	8'-5"

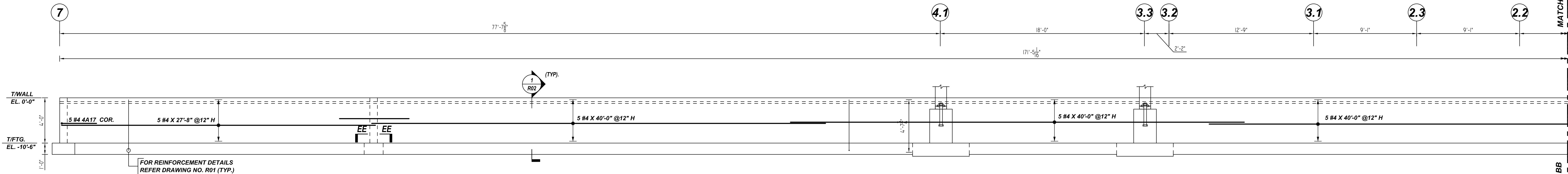
ALL TOP BARS ARE DEFINED AS HORIZ BARS WITH MORE THAN 12" OF CONCRETE BELOW BARS.

**ALL BARS IN THIS DRAWING
 ASTM A615 GRADE 60
 BLACK UNCOATED**

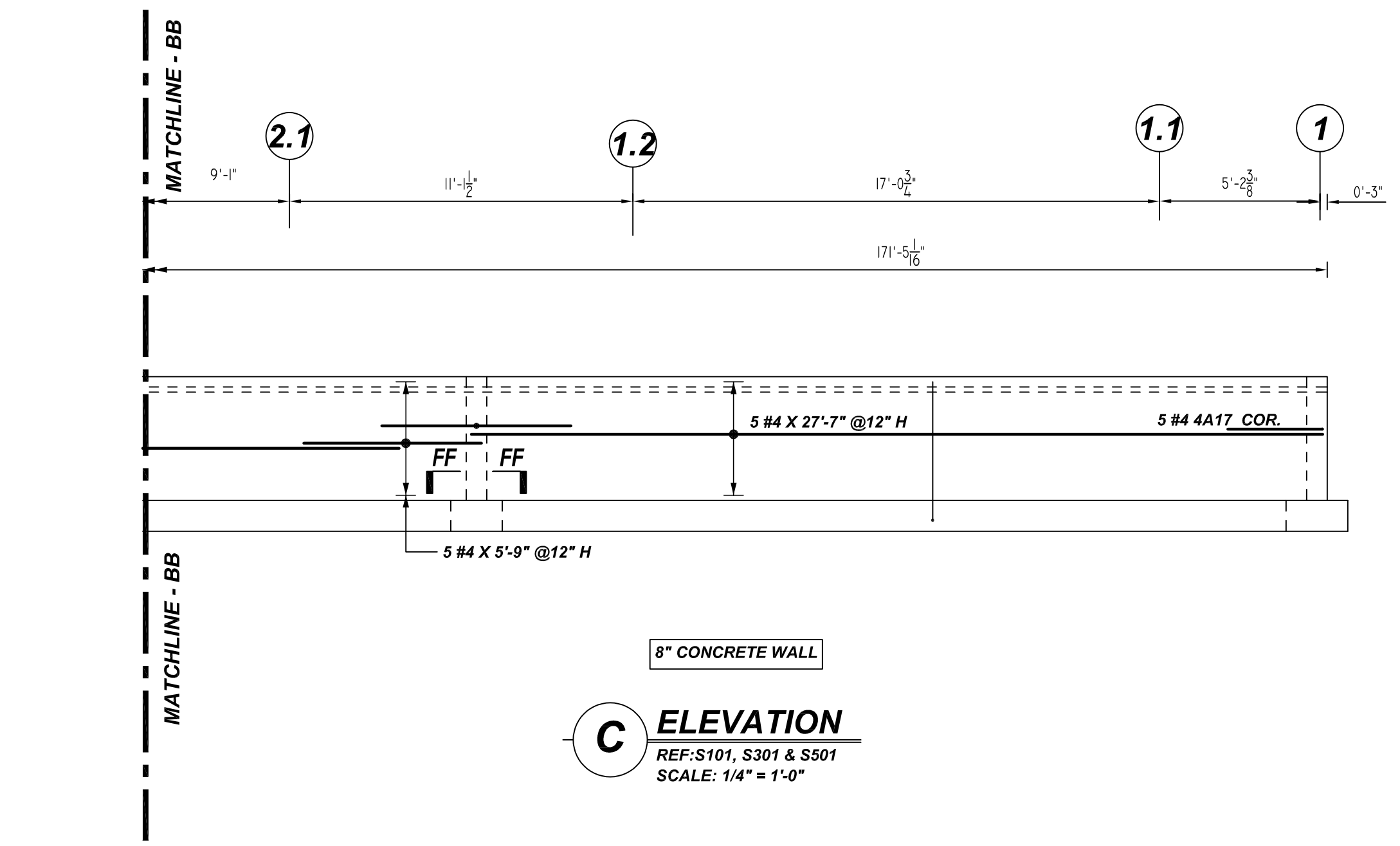
TYPICAL REINFORCING BAR CLEARANCE TABLE

LOCATION	MIN. COVER
WALL TOP & BOTTOM	2" CLR
WALL SIDE	2" CLR

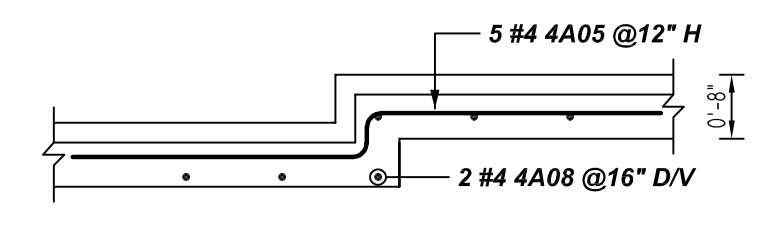
GRADE	A615/60(UNO)		
PREFIX	A		
BAR LIST NOS.			
REV	DESCRIPTION	ISSUED DATE	ISSUED FOR
0	IFA	10/07/2022	APPROVAL
STRUCTURE	WALL REINFORCEMENT DETAILS		
FLOOR	WALL FOUNDATION		
JOB NO.	-		
CUSTOMER	GRADE INDUSTRIAL		
JOB	EASTDALE-DUTCHESS ASC		
LOCATION	325 FOUNDERS WAY, NEW YORK 12603		
DRAWN	DATE	CONTROL CODE	DWG. NO.
MRS	10/07/2022	-	R03



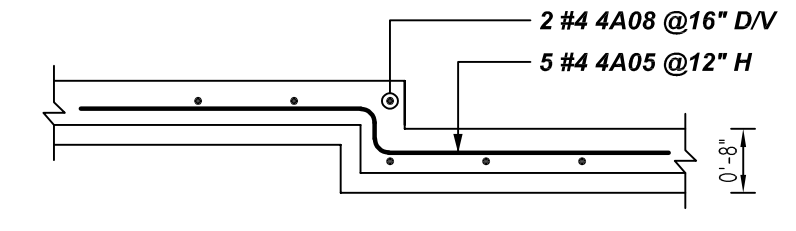
C ELEVATION
 REF: S101, S301 & S501
 SCALE: 1/4" = 1'-0"



C ELEVATION
 REF: S101, S301 & S501
 SCALE: 1/4" = 1'-0"

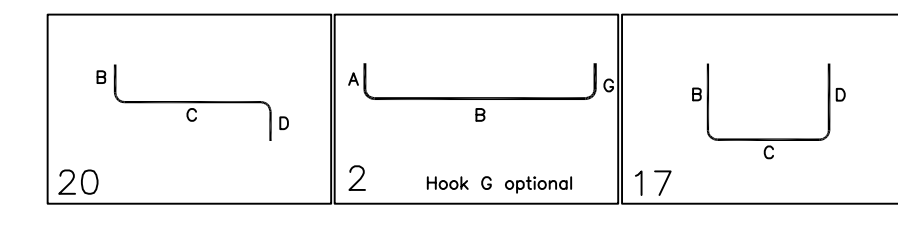


PLAN VIEW - EE
 REF: S101, S301 & S501
 SCALE: 1/2" = 1'-0"



PLAN VIEW - FF
 REF: S101, S301 & S501
 SCALE: 1/2" = 1'-0"

Bar Mark	Qty	Size	Total Length	Type	X	Y	Z	W	V	U	T	S	R	Q	P	O	N	M	L	K	J	I	H	G	F	E	D	C	B	A
4A05	10	#4	6'-3"	20																										
4A08	4	#4	5'-2"	2	0'-3"	3'-1"	0'-5"	3'-1"																						
4A17	10	#4	6'-2"	17																										



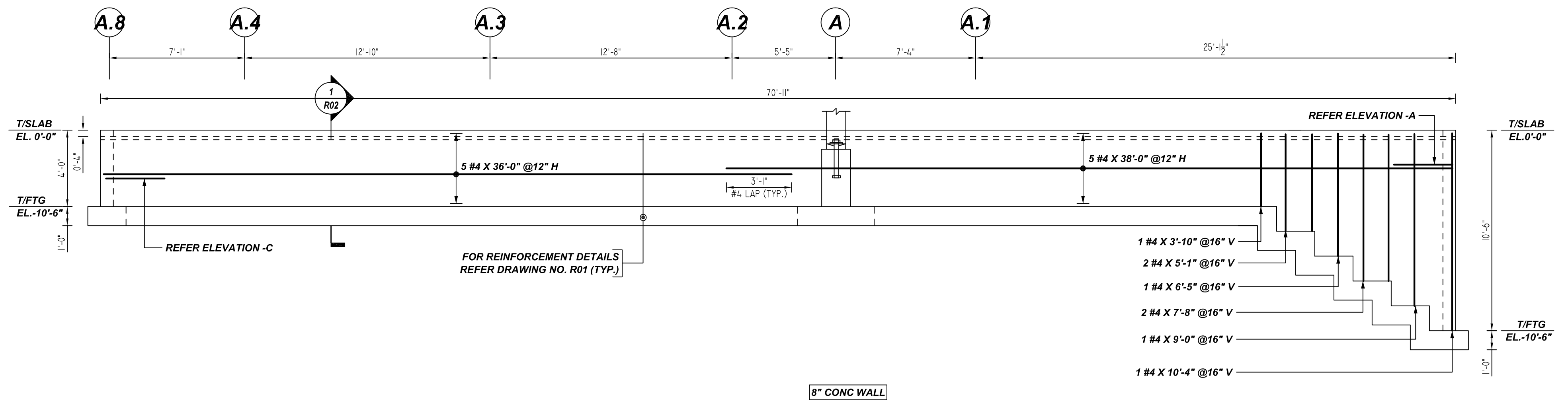
LAP SCHEDULE
 3000 PSI (CLASS-B) CASE - 1
 Per ACI: 318 (12.2.2)

BAR#	LENGTHS	
	TOP	OTHERS
#3	2'-4"	1'-10"
#4	3'-1"	2'-5"
#5	3'-11"	3'-0"
#6	4'-8"	3'-7"
#7	6'-9"	5'-3"
#8	7'-9"	6'-0"
#9	8'-9"	6'-9"
#10	9'-10"	7'-7"
#11	10'-11"	8'-5"

**ALL BARS IN THIS DRAWING
 ASTM A615 GRADE 60
 BLACK UNCOATED**

TYPICAL REINFORCING BAR CLEARANCE TABLE	
LOCATION	MIN. COVER
WALL TOP & BOTTOM	2" CLR
WALL SIDE	2" CLR

ALL TOP BARS ARE DEFINED AS HORIZ BARS WITH MORE THAN 12" OF CONCRETE BELOW BARS.

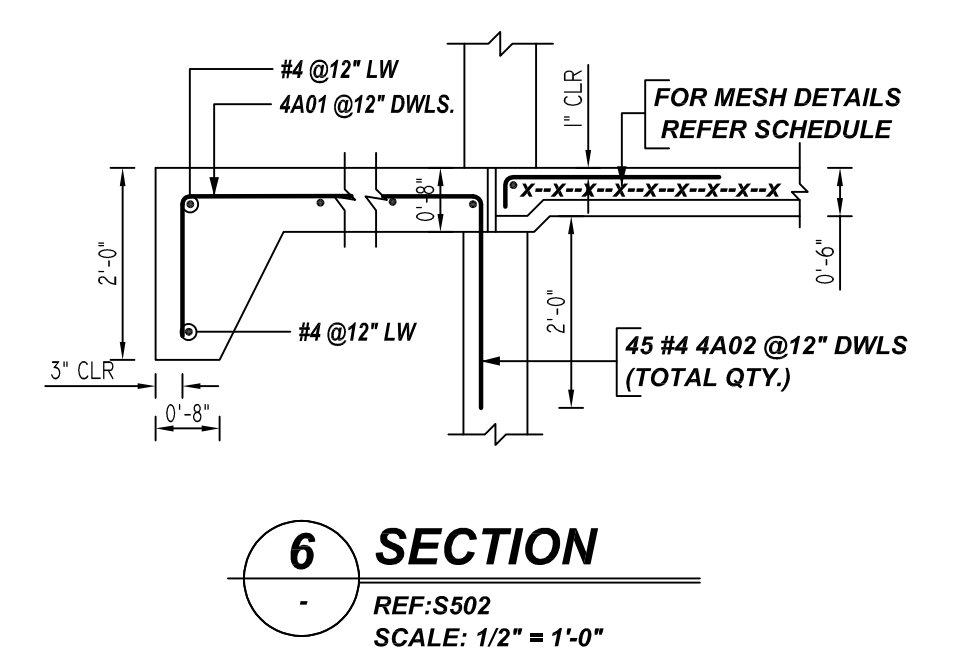
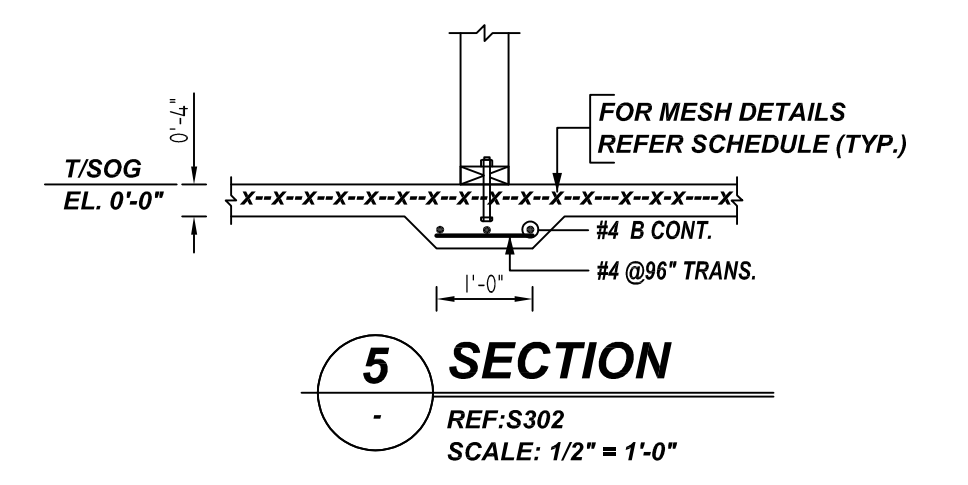
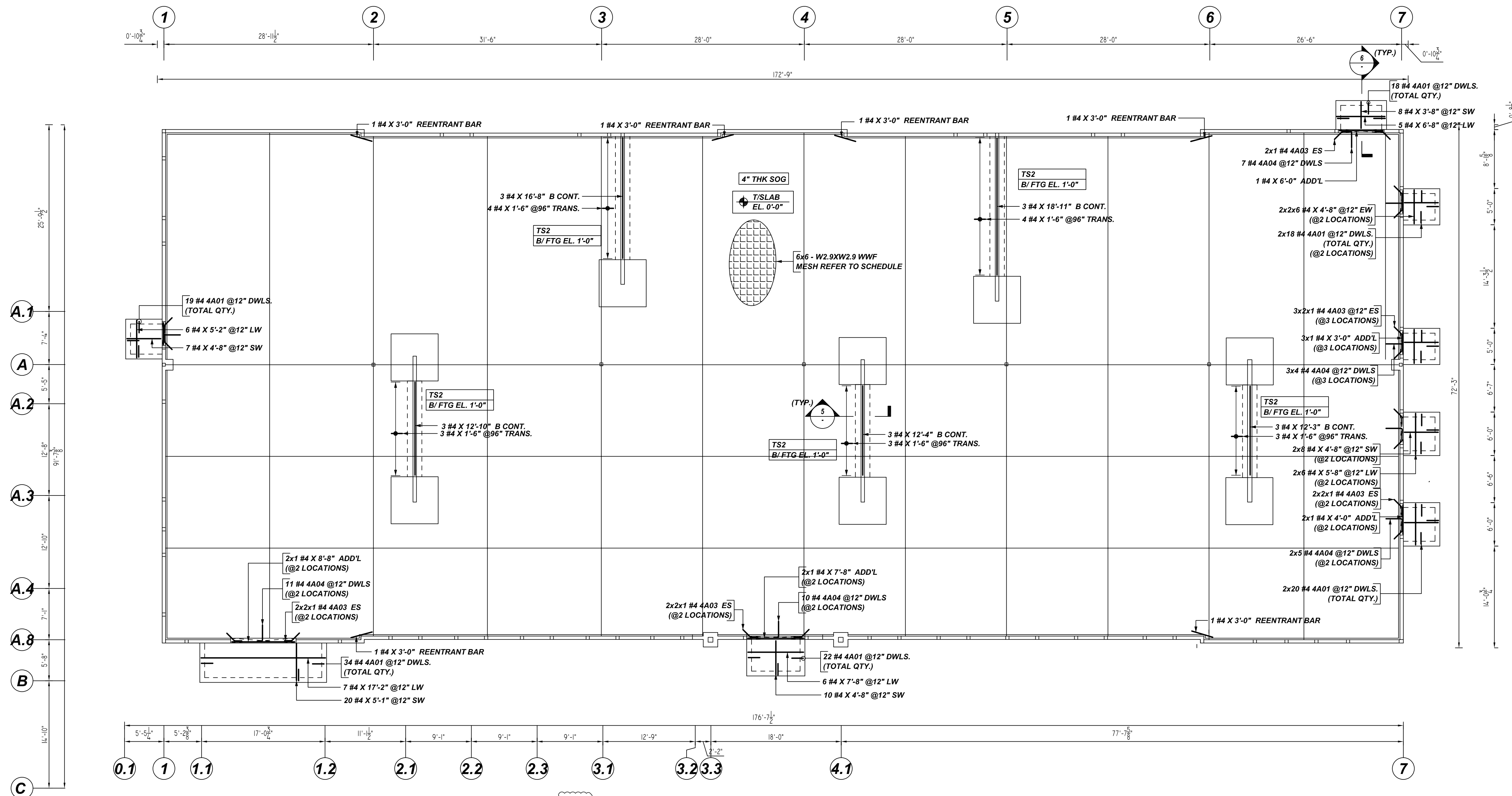


D ELEVATION
 REF: S101, S301 & S501
 SCALE: 1/4" = 1'-0"

- 1 #4 X 3'-10" @16" V
- 2 #4 X 5'-1" @16" V
- 1 #4 X 6'-5" @16" V
- 2 #4 X 7'-8" @16" V
- 1 #4 X 9'-0" @16" V
- 1 #4 X 10'-4" @16" V

FOR APPROVAL

GRADE	A615/60(UNO)				
PREFIX	A				
BAR LIST NOS.					
REV	DESCRIPTION	ISSUED DATE	ISSUED FOR	STRUCTURE	WALL REINFORCEMENT DETAILS
0	IFA	10/07/2022	APPROVAL	FLOOR	WALL FOUNDATION
				JOB NO.	-
				CUSTOMER	GRADE INDUSTRIAL
				JOB	EASTDALE-DUTCHESS ASC
				LOCATION	325 FOUNDERS WAY, NEW YORK 12603
	DRAWN	DATE	CONTROL CODE	DWG. NO.	
	MRS	10/07/2022	-	R04	

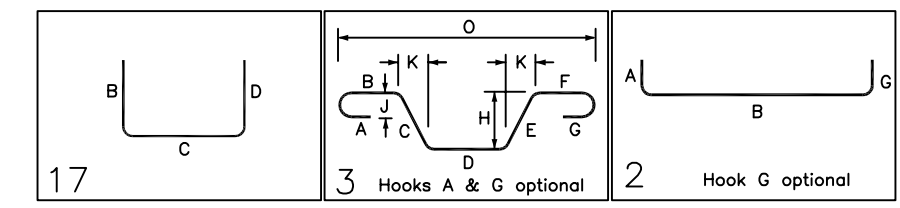


SLAB ON GRADE REINFORCEMENT DETAILS

REF:S101
SCALE: 1/8" = 1'-0"

A/E PLEASE VERIFY NORTH DIRECTION (TYP.)

Bar Mark	Qty	Size	Total Length	Type	X	Y	Z	W	V	U	T	S	R	Q	P	O	N	M	L	K	J	I	H	G	F	E	D	C	B	A	
4A01	168	#4	4'-0"	17			1'-3"	2'-5"																							
4A02	45	#4	4'-10"	17			2'-5"	2'-5"																							
4A03	20	#4	2'-5 1/2"	3			1'-0"	1'-5 1/2"					1'-1"		1'-9 1/2"	2'-0 1/2"															
4A04	50	#4	2'-11"	2			0'-8"	2'-3"																							



LAP SCHEDULE

3000 PSI (CLASS-B) CASE - 1
Per ACI :318 (12.2.2)

BAR#	LENGTHS	
	TOP	OTHERS
#3	2'-4"	1'-10"
#4	3'-1"	2'-5"
#5	3'-11"	3'-0"
#6	4'-8"	3'-7"
#7	6'-9"	5'-3"
#8	7'-9"	6'-0"
#9	8'-9"	6'-9"
#10	9'-10"	7'-7"
#11	10'-11"	8'-5"

ALL TOP BARS ARE DEFINED AS HORIZ BARS WITH MORE THAN 12" OF CONCRETE BELOW BARS.

TYPICAL REINFORCING BAR CLEARANCE TABLE	
LOCATION	MIN. COVER
SLAB	2" CLR

**ALL BARS IN THIS DRAWING
ASTM A615 GRADE 60
BLACK UNCOATED**

ACCESSORIES DETAILS				
S. NO	ELEMENT	DESCRIPTION	PCS	REMARK
1	4" THK SOG	2" HT SB @4'-0" C/C	-	3300 FOR MESH SUPPORT (@ BOTTOM)

MESH DETAILS				
S. NO	ELEMENT	MESH SIZE	SHEETS	REMARK
1	4" THK SLAB ON GRADE	6x6 - W2.1XW2.1 WWF	120	12300 SQ.FT 8'-0 X 15'-0" SHEET SIZE (15% LAP ADDED)

FOR APPROVAL

GRADE	A615/60(UNO)		
PREFIX	A		
BAR LIST NOS.			
REV	DESCRIPTION	ISSUED DATE	ISSUED FOR
0	IFA	10/07/2022	APPROVAL
STRUCTURE	SOG REINFORCEMENT DETAILS		
FLOOR	SLAB ON GRADE		
JOB NO			
CUSTOMER	GRADE INDUSTRIAL		
JOB	EASTDALE-DUTCHESS ASC		
LOCATION	325 FOUNDERS WAY, NEW YORK 12603		
DRAWN	DATE	CONTROL CODE	DWG. NO.
MRS	10/07/2022	-	R05