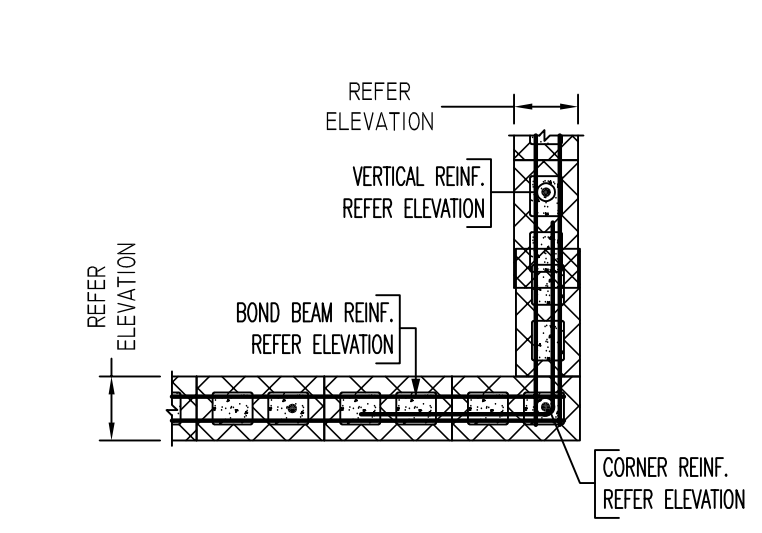
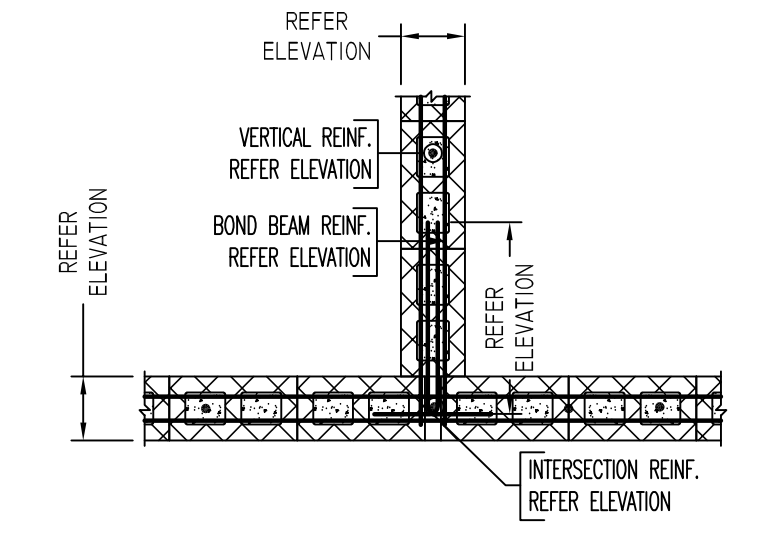


TYPICAL CMU WALL SECTION DETAILS
SCALE: 1/2" = 1'-0"

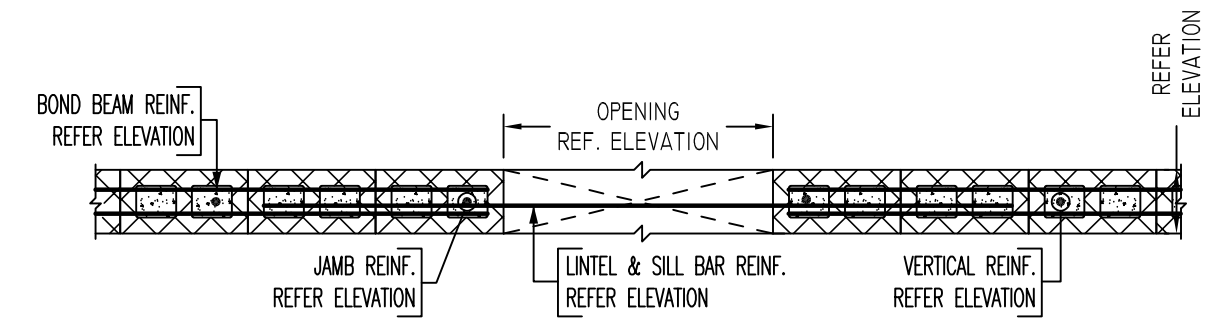
TYPICAL VERTICAL BAR LAPPING DETAIL



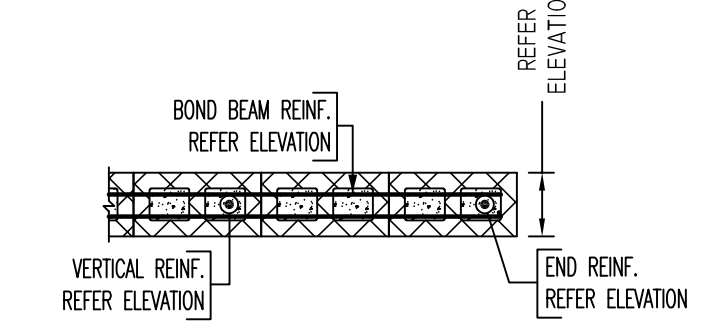
(REINFORCEMENT AT CORNER)



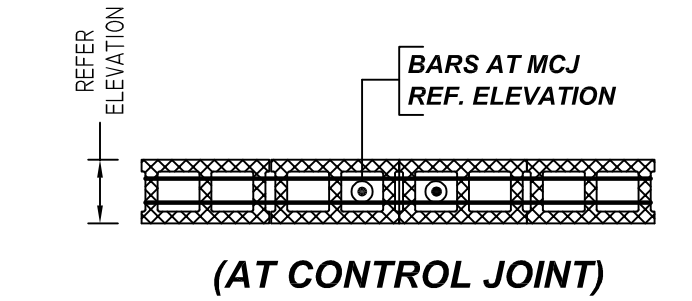
(REINFORCEMENT AT INTERSECTION)



(REINFORCEMENT AT OPENING)



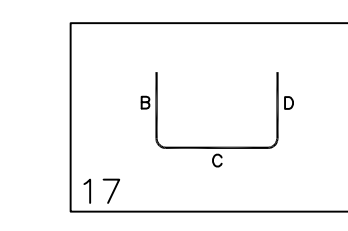
(REINFORCEMENT AT END)



(AT CONTROL JOINT)

TYPICAL CMU WALL REINFORCEMENT DETAILS
REF: S2.0
SCALE: 1/2" = 1'-0"

Release Number: M01		BENDING DETAILS											
Bar Mark	Qty	Size	Total Length	Type	X'	Y'	Z'	Y'	Y'	Y'	Y'	Y'	Y'
4B01	15	#4	3'-6"	17		1'-9"	1'-9"						
5B02	58	#5	4'-8"	17		2'-3"	2'-3"						



FOR APPROVAL

AREA 4 - CMU WALL LAYOUT
REF: A205&S202
SCALE: 1/4" = 1'-0"

TYPICAL REINFORCING BAR CLEARANCE TABLE	
LOCATION	MIN. COVER
WALL	2" CLR

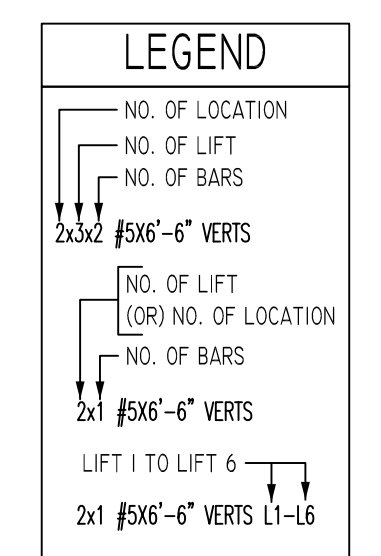
**ALL BARS IN THIS DRAWING
ASTM A615 GRADE 60
BLACK UNCOATED**

LAP SCHEDULE
8" CMU WALL

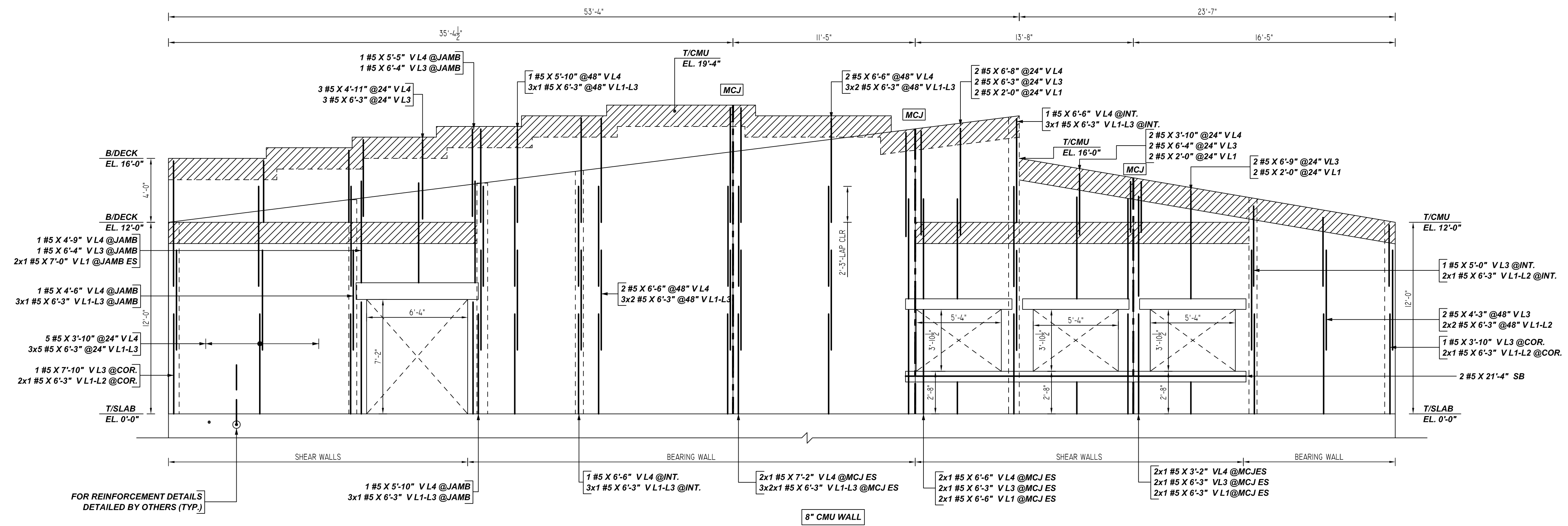
BAR #	LENGTH
#3	16"
#4	21"
#5	27"
#6	51"
#7	63"
#8	72"

LAP SCHEDULE
6" CMU WALL

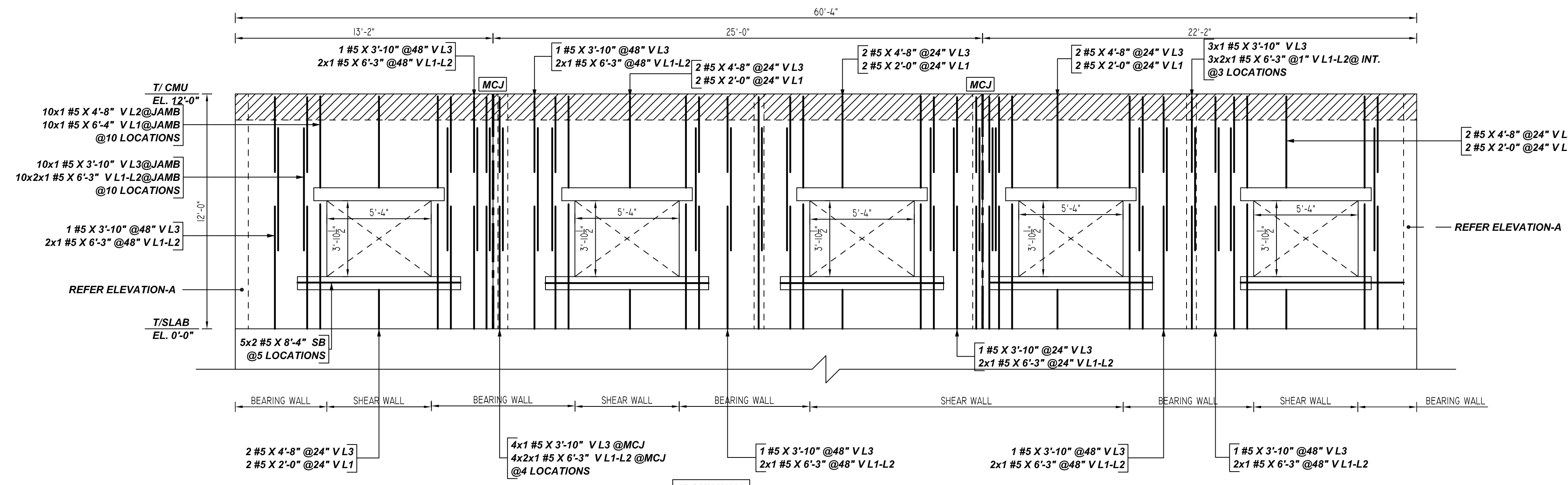
BAR #	LENGTH
#3	16"
#4	25"
#5	40"



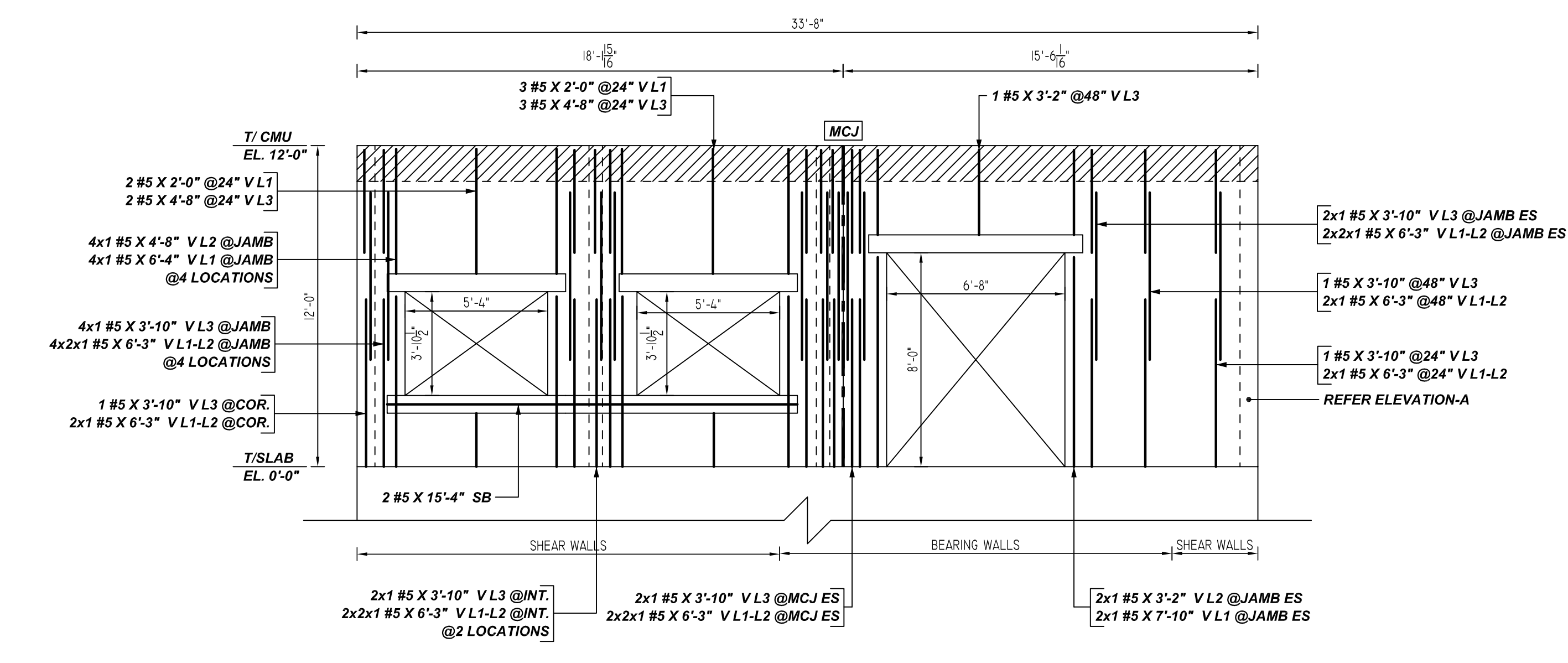
GRADE	A615/60(UNO)		
PREFIX			
BAR LIST NOS.			
REV	DESCRIPTION	ISSUED DATE	ISSUED FOR
0	IFA	09/21/2022	APPROVAL
STRUCTURE CMU WALL REINFORCEMENT DETAILS			
FLOOR FOUNDATION			
JOB NO. -			
CUSTOMER GRADE INDUSTRIAL			
JOB VAILS GATE ELEMENTARY			
LOCATION -			
DRAWN	DATE	CONTROL CODE	DWG. NO.
MRS	09/21/2022	-	M01



A ELEVATION
 REF: S202, A205 & A402
 SCALE: 1/4" = 1'-4"



B ELEVATION
 REF: S202, A205 & A402
 SCALE: 1/4" = 1'-0"



C ELEVATION
 REF: S202, A205 & A402
 SCALE: 1/4" = 1'-0"

FOR APPROVAL

TYPICAL REINFORCING BAR CLEARANCE TABLE

LOCATION	MIN. COVER
WALL	2" CLR

**ALL BARS IN THIS DRAWING
 ASTM A615 GRADE 60
 BLACK UNCOATED**

LAP SCHEDULE

8" CMU WALL

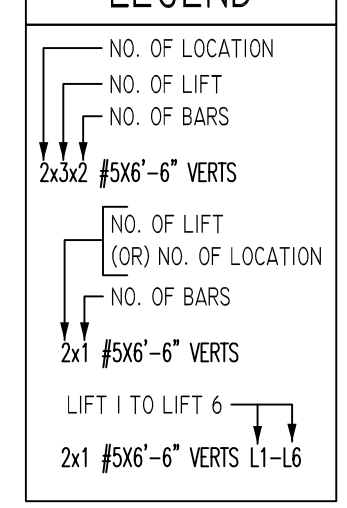
BAR #	LENGTH
#3	16"
#4	21"
#5	27"
#6	51"
#7	63"
#8	72"

LAP SCHEDULE

6" CMU WALL

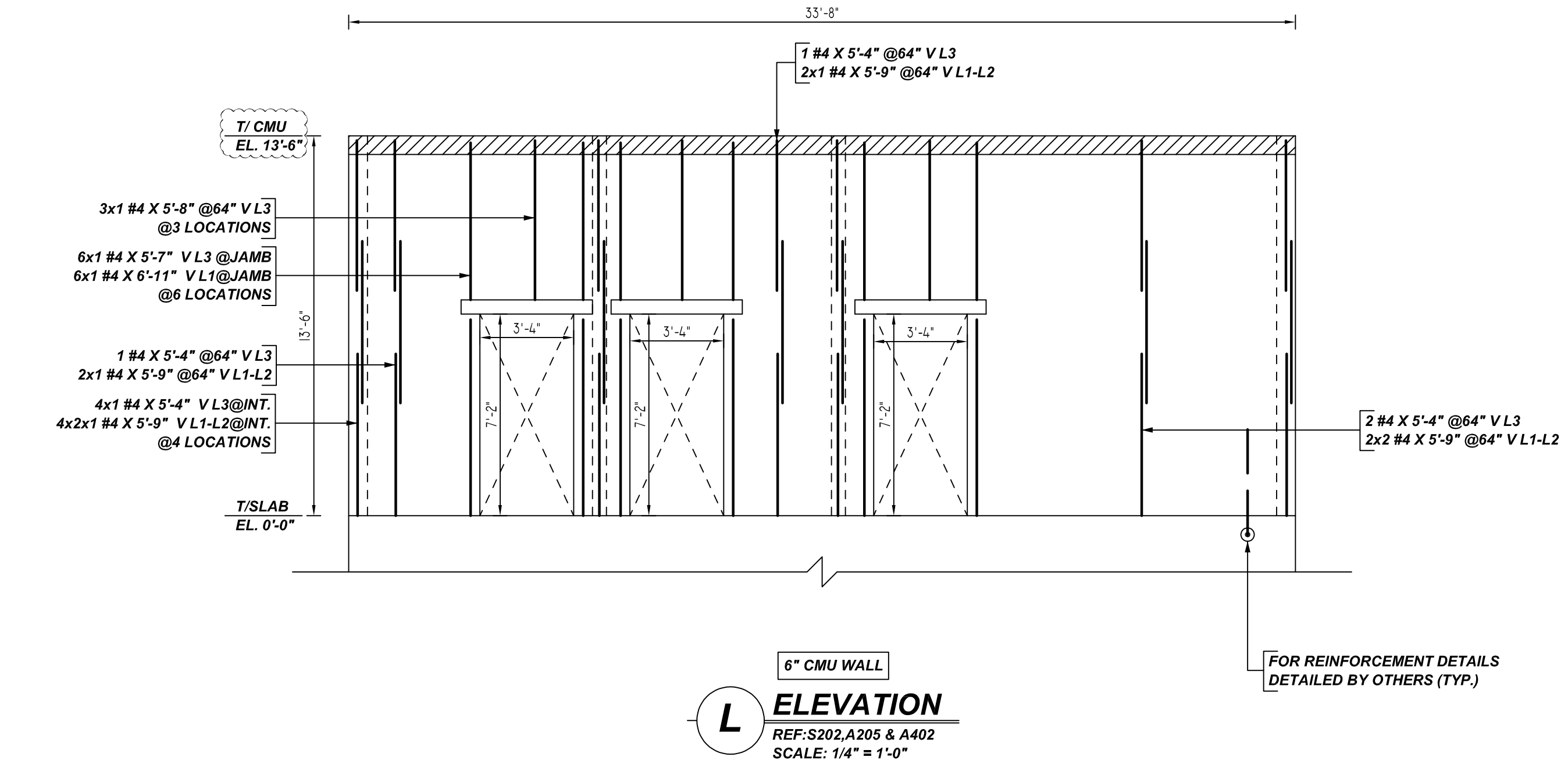
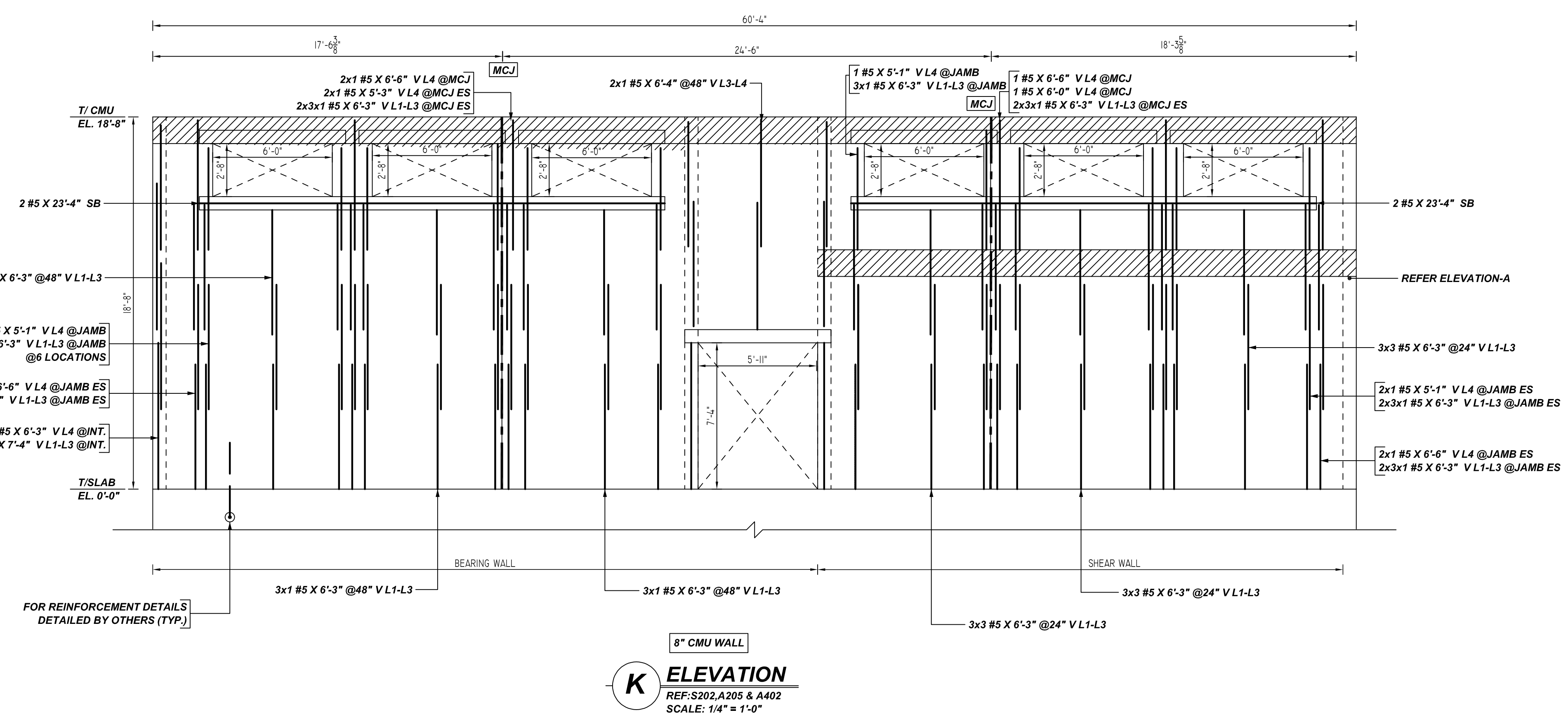
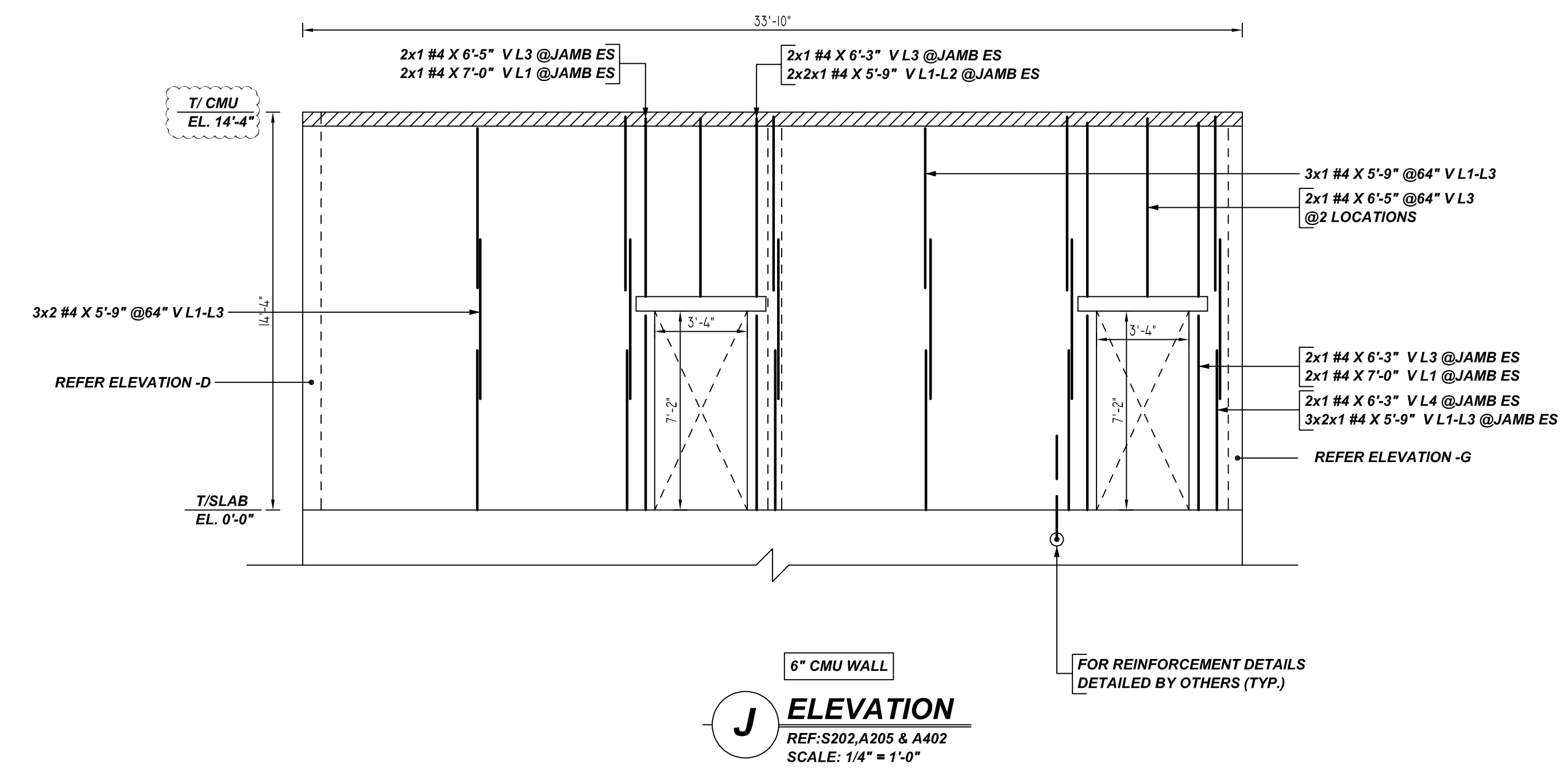
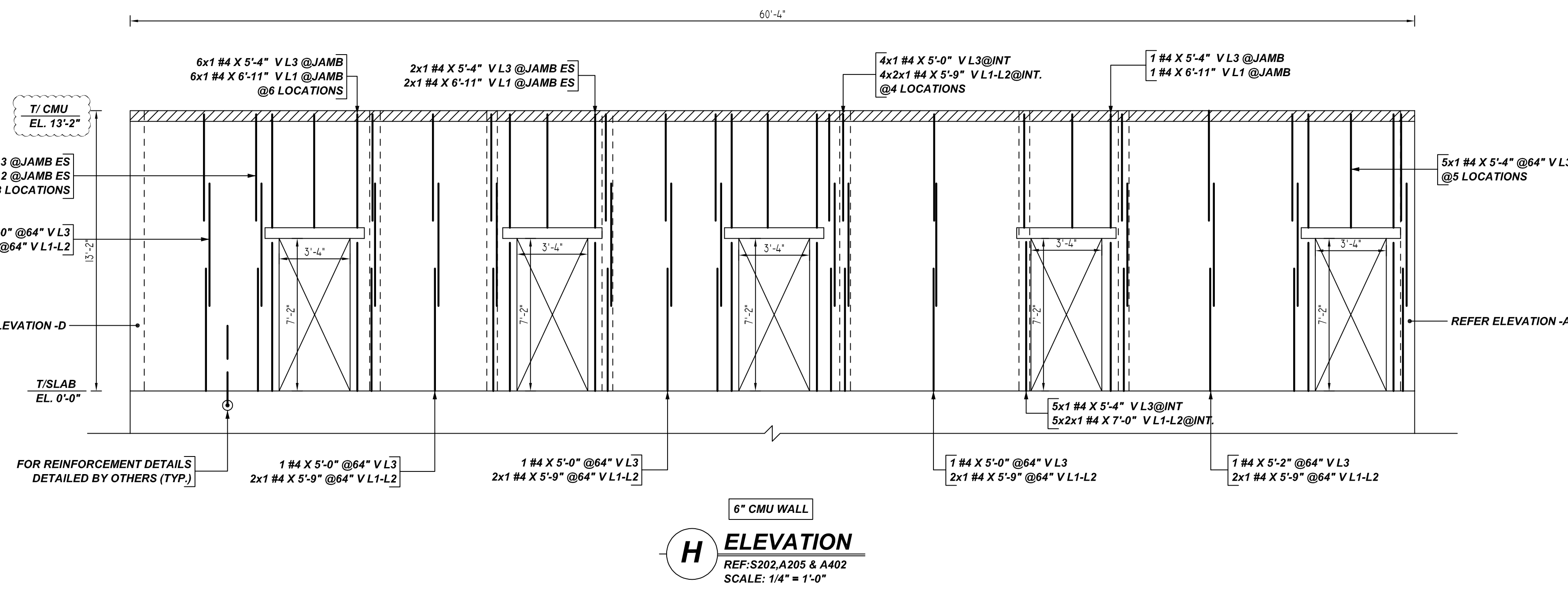
BAR #	LENGTH
#3	16"
#4	25"
#5	40"

LEGEND



GRADE	A615/60(UNO)		
PREFIX			
BAR LIST NOS.			
REV	DESCRIPTION	ISSUED DATE	ISSUED FOR
0	IFA	09/21/2022	APPROVAL

STRUCTURE	CMU WALL REINFORCEMENT DETAILS		
FLOOR	FOUNDATION		
JOB NO.	-		
CUSTOMER	GRADE INDUSTRIAL		
JOB	VAILS GATE ELEMENTARY		
LOCATION	-		
DRAWN	DATE	CONTROL CODE	DWG. NO.
MRS	09/21/2022	-	M02



TYPICAL REINFORCING BAR CLEARANCE TABLE

LOCATION	MIN. COVER
WALL	2" CLR

**ALL BARS IN THIS DRAWING
 ASTM A615 GRADE 60
 BLACK UNCOATED**

LAP SCHEDULE

8" CMU WALL

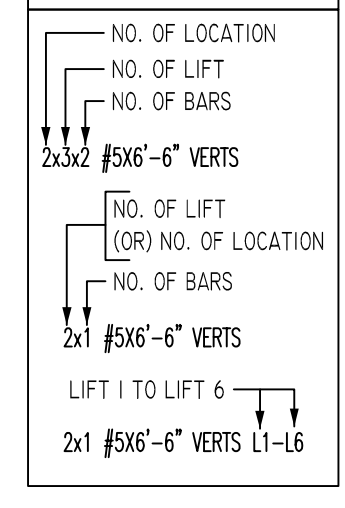
BAR #	LENGTH
#3	16"
#4	21"
#5	27"
#6	51"
#7	63"
#8	72"

LAP SCHEDULE

6" CMU WALL

BAR #	LENGTH
#3	16"
#4	25"
#5	40"

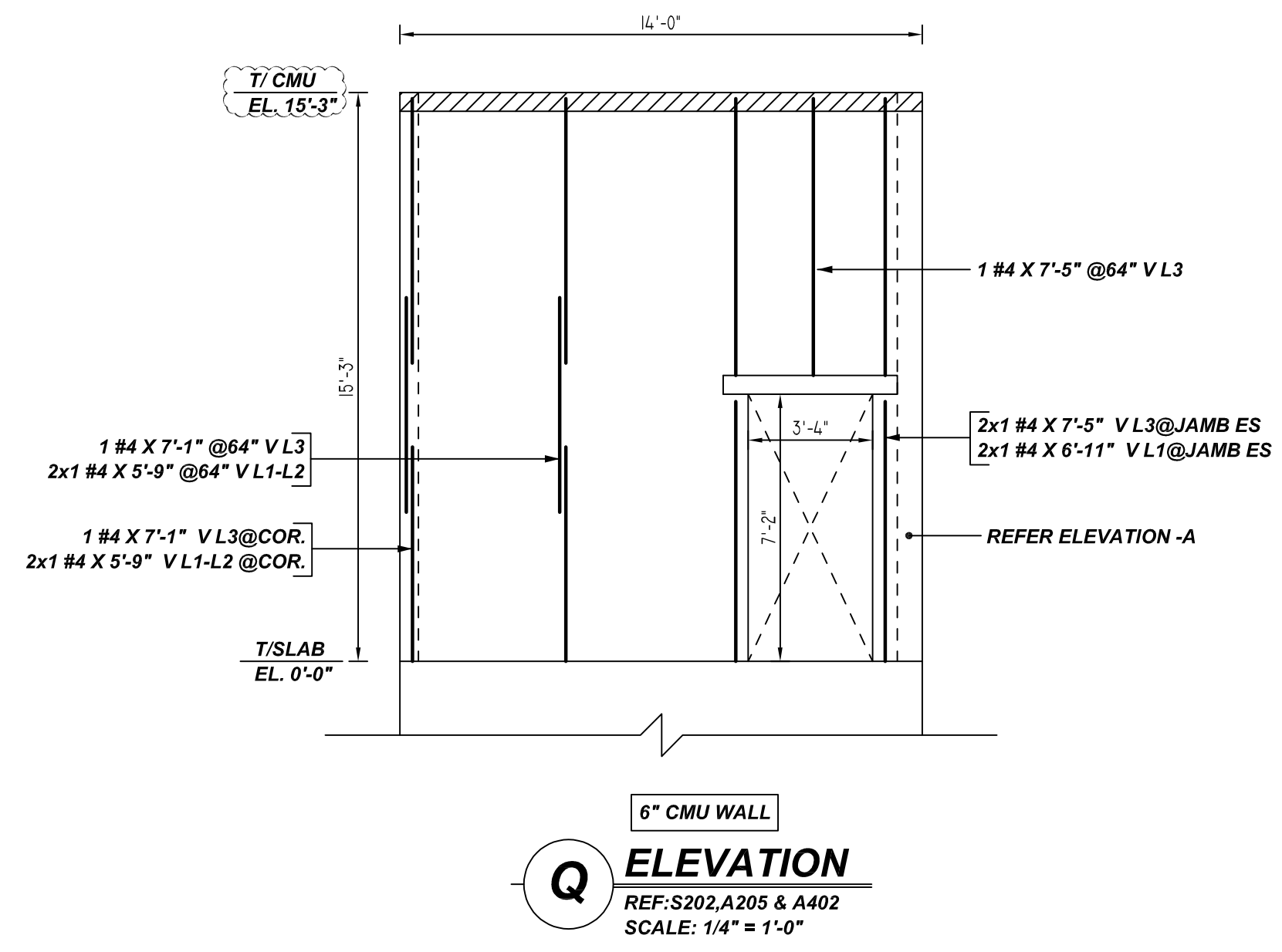
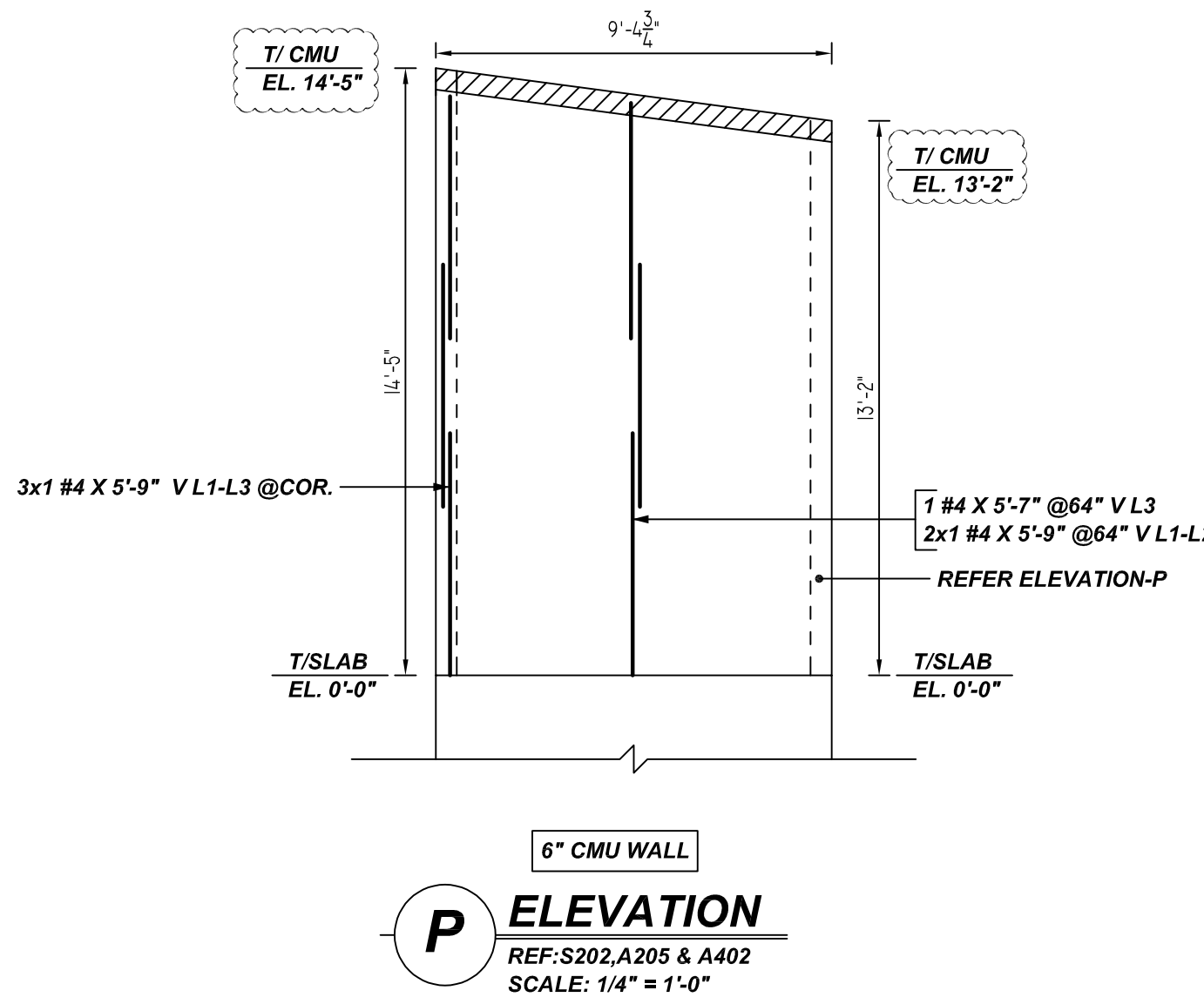
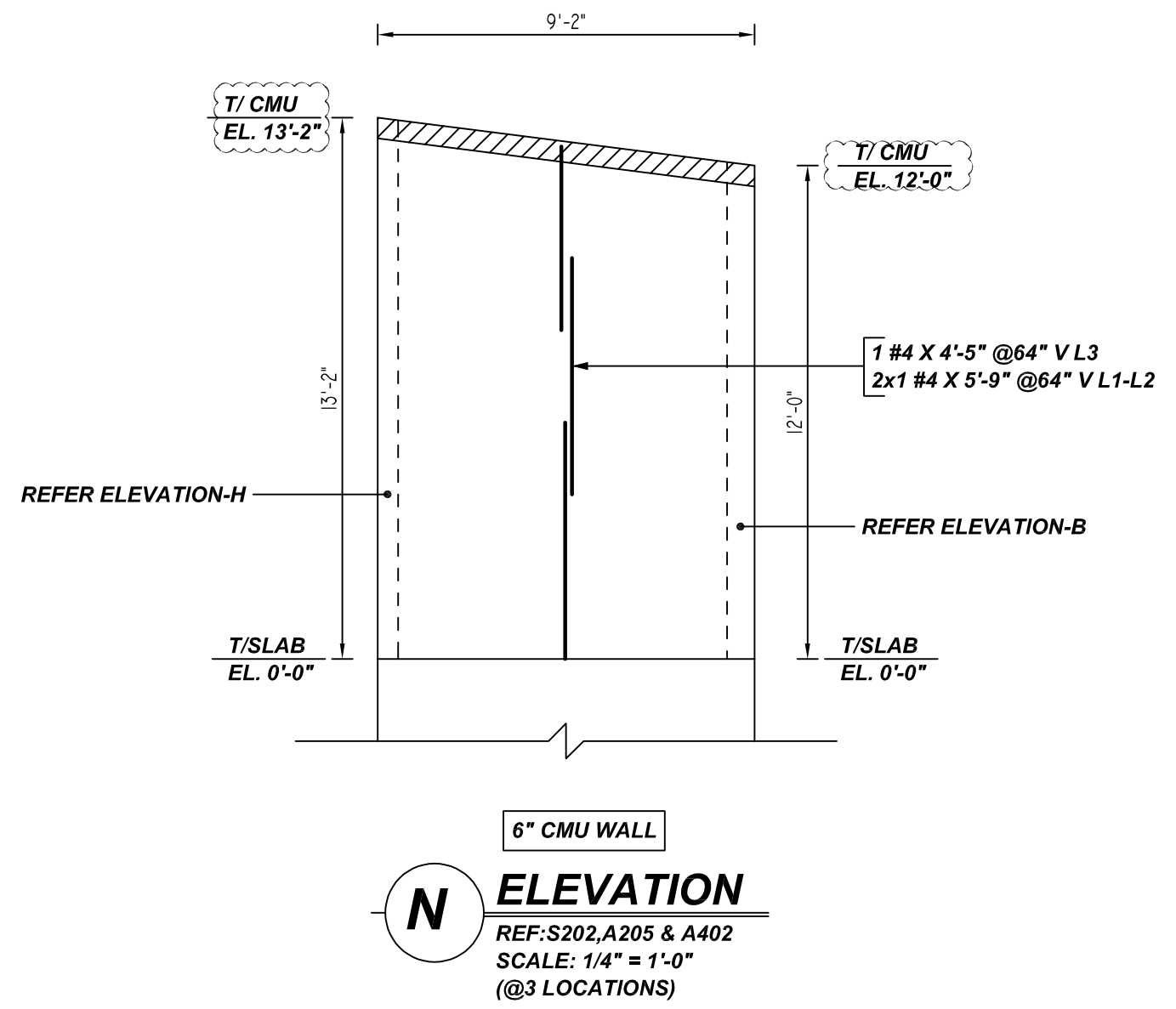
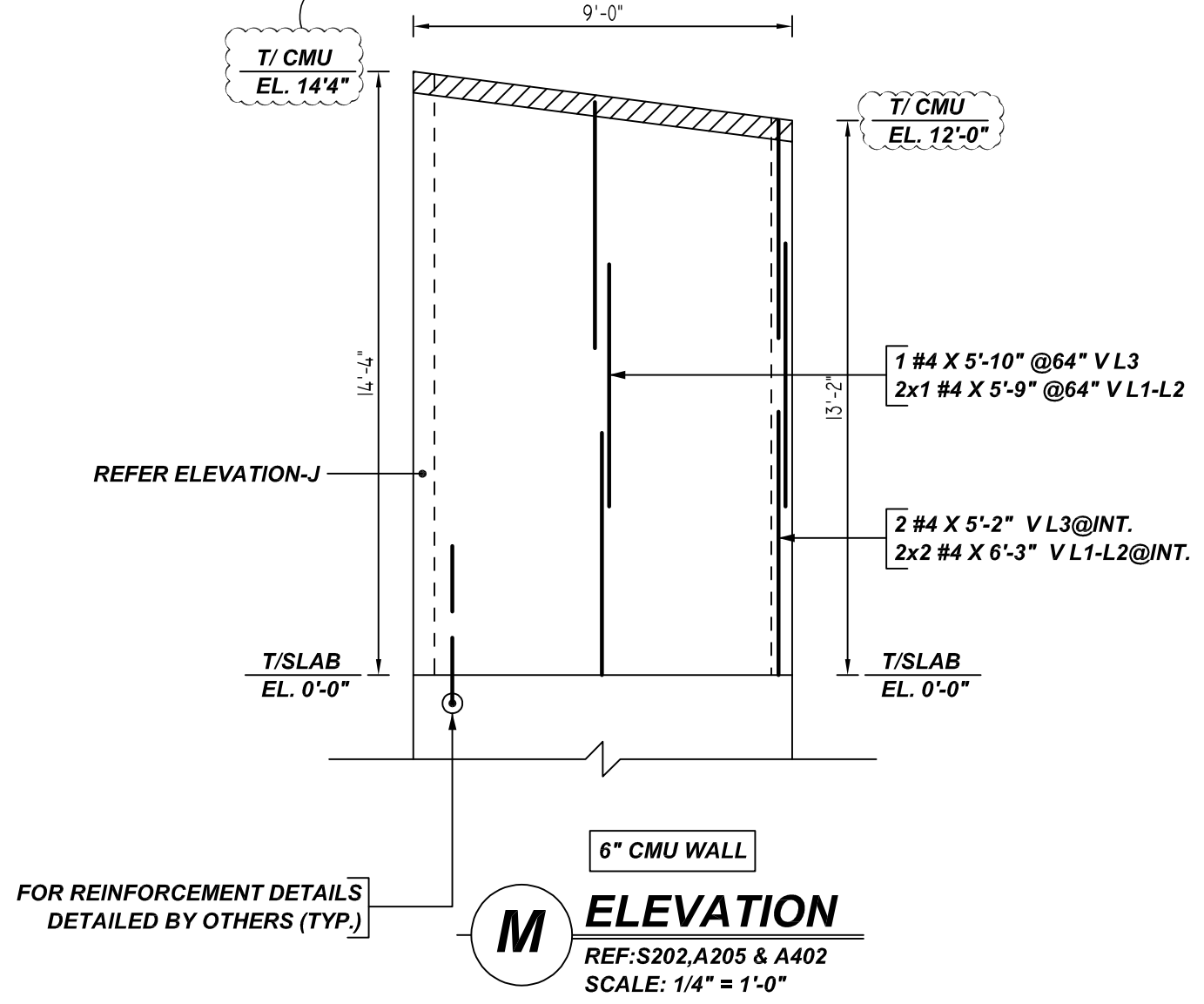
LEGEND



FOR APPROVAL

GRADE	A615/60(UNO)		
PREFIX			
BAR LIST NOS.			
REV	DESCRIPTION	ISSUED DATE	ISSUED FOR
0	IFA	09/21/2022	APPROVAL
STRUCTURE	CMU WALL REINFORCEMENT DETAILS		
FLOOR	FOUNDATION		
JOB NO	-		
CUSTOMER	GRADE INDUSTRIAL		
JOB	VAILS GATE ELEMENTARY		
LOCATION	-		
DRAWN	DATE	CONTROL CODE	DWG. NO.
MRS	09/21/2022	-	M04

A/E PLEASE VERIFY ELEVATION LEVEL (TYP.)



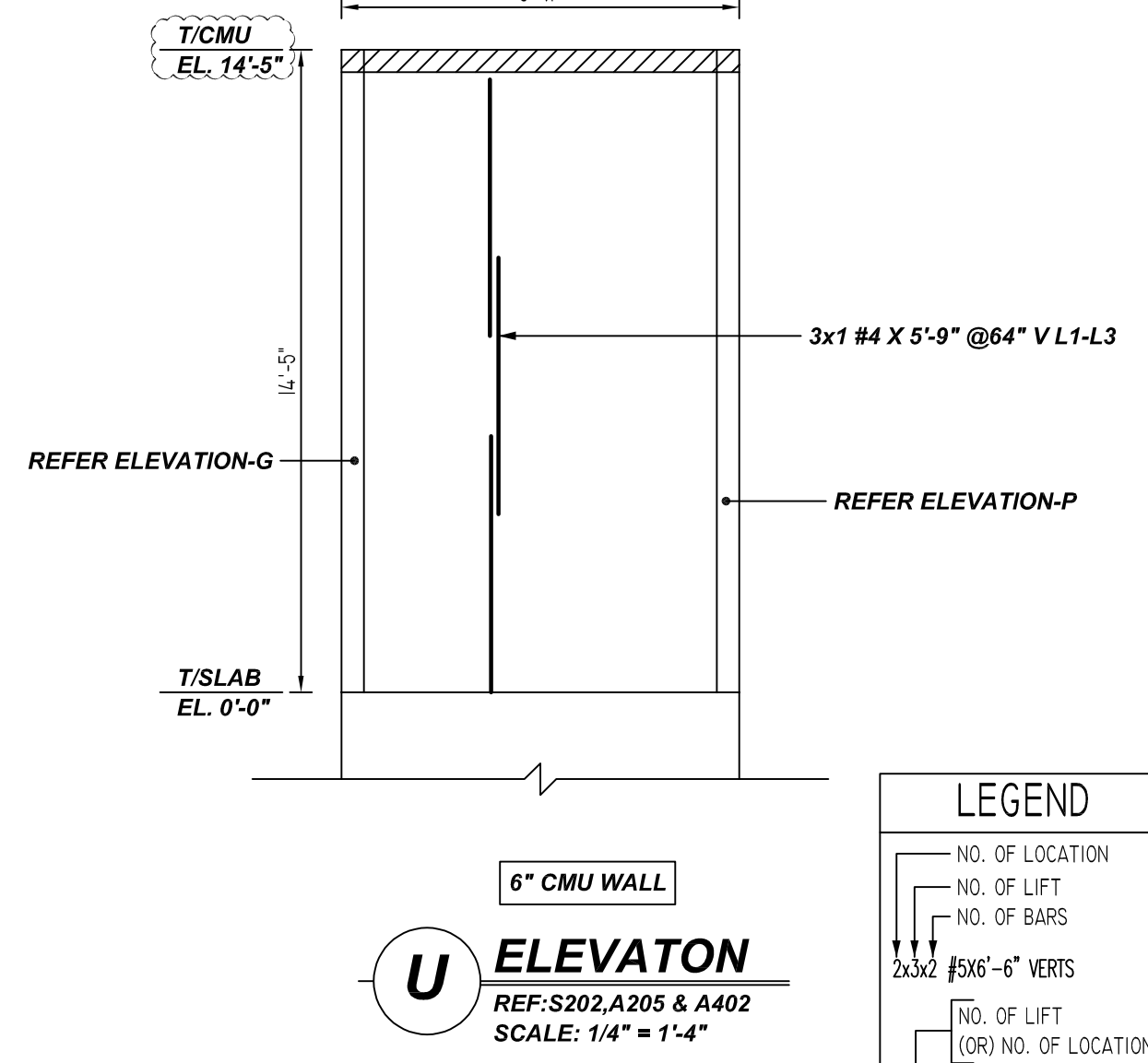
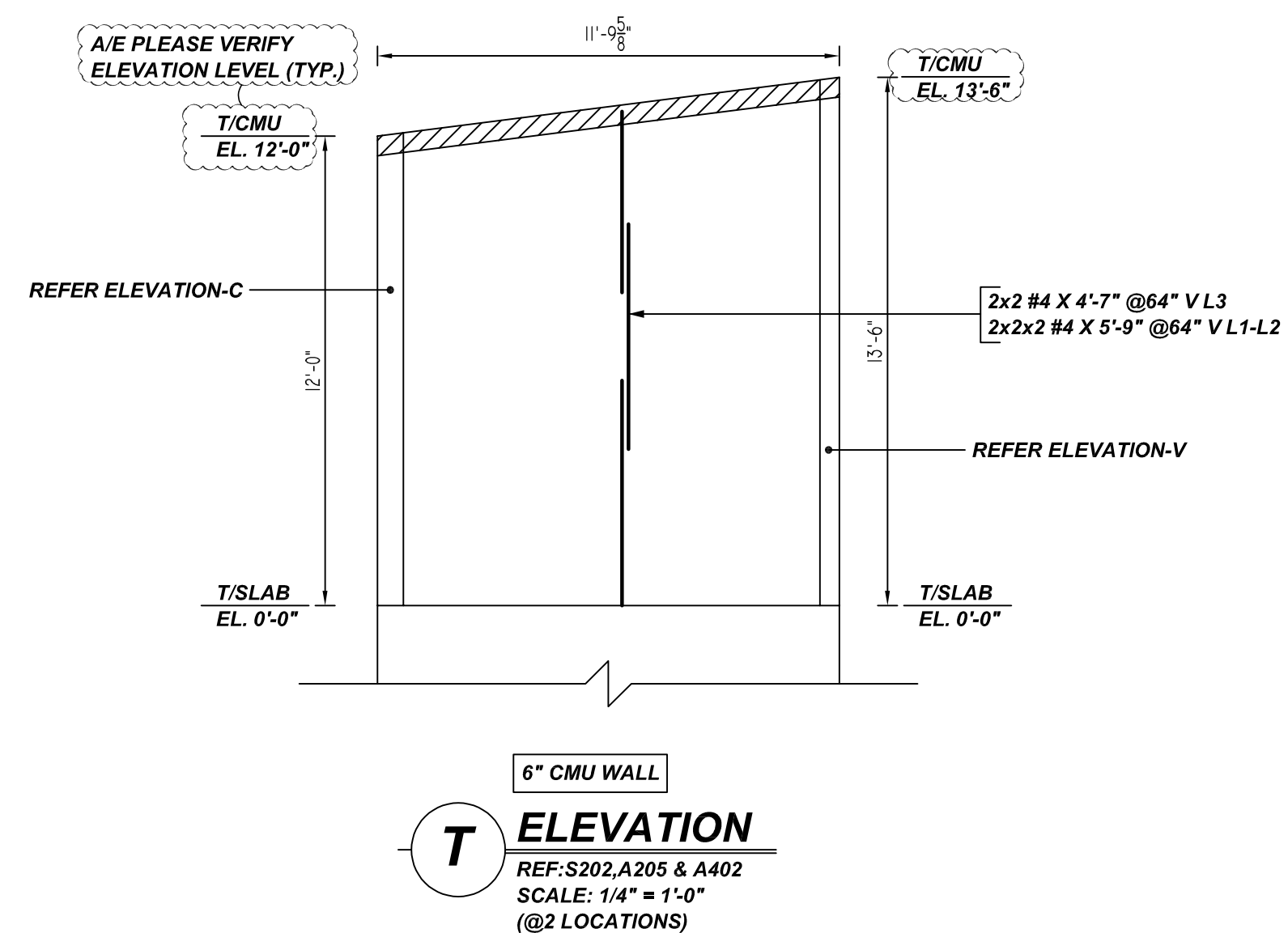
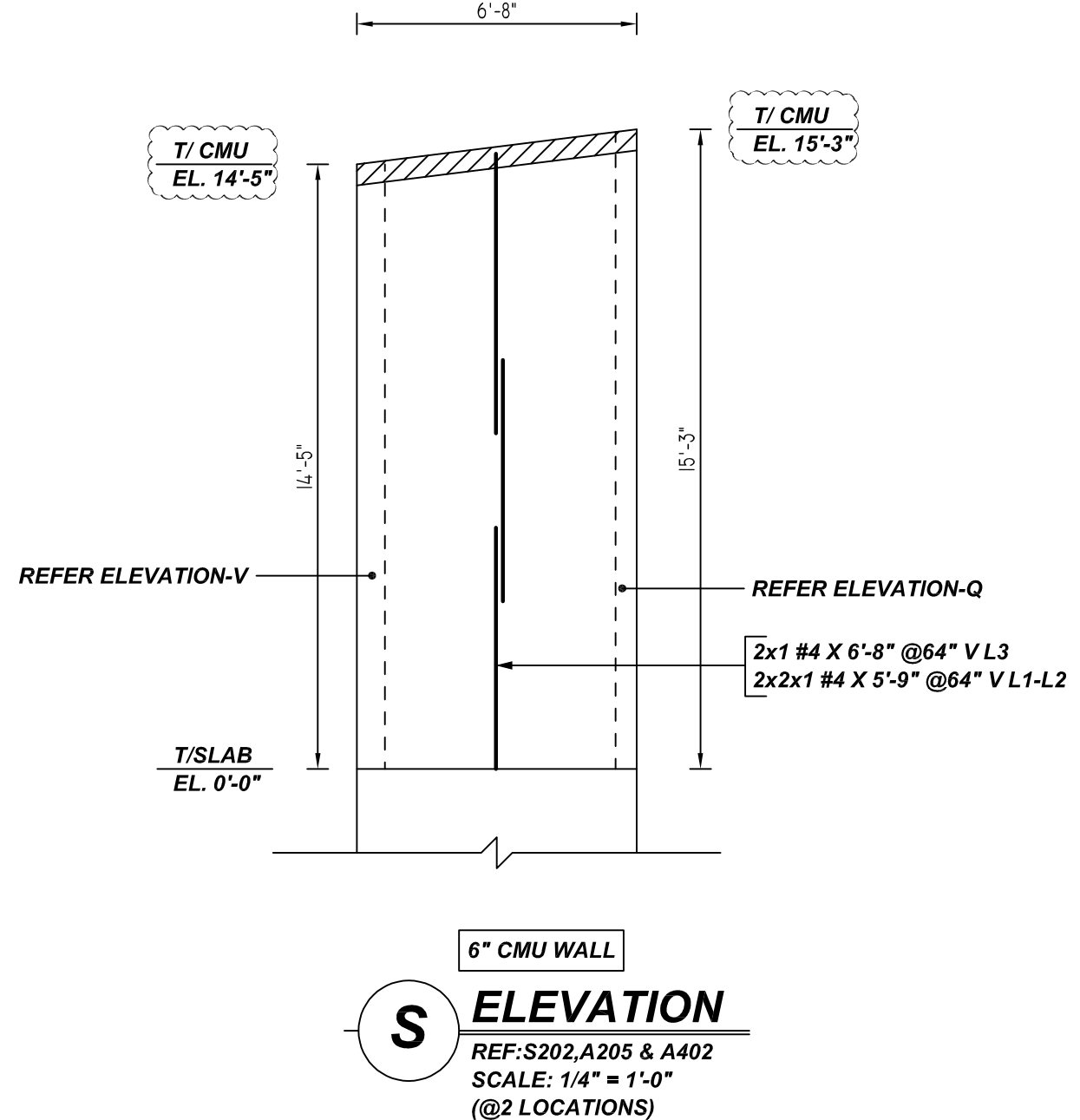
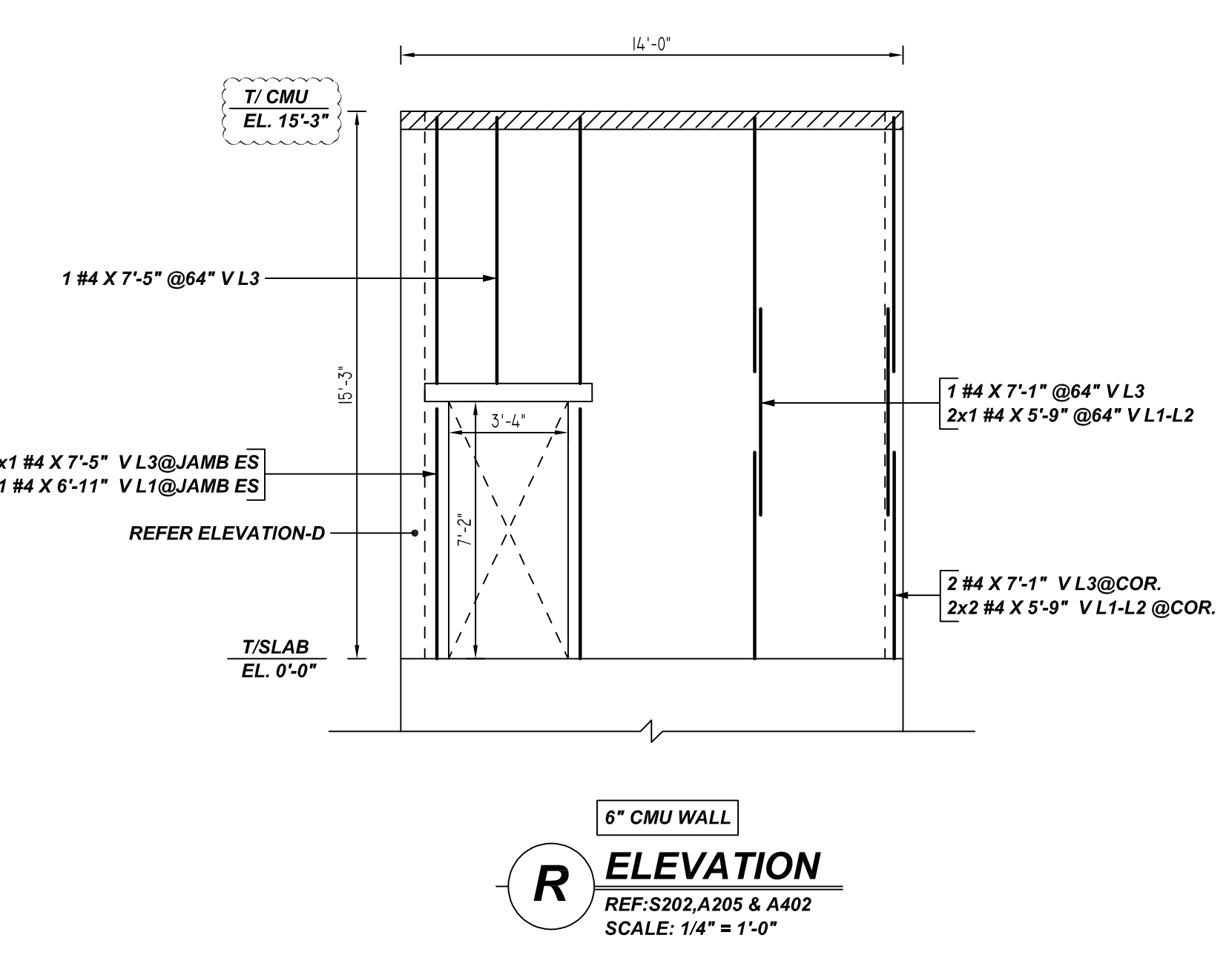
FOR REINFORCEMENT DETAILS DETAILED BY OTHERS (TYP.)

M ELEVATION
REF: S202, A205 & A402
SCALE: 1/4" = 1'-0"

N ELEVATION
REF: S202, A205 & A402
SCALE: 1/4" = 1'-0"
(@3 LOCATIONS)

P ELEVATION
REF: S202, A205 & A402
SCALE: 1/4" = 1'-0"

Q ELEVATION
REF: S202, A205 & A402
SCALE: 1/4" = 1'-0"



R ELEVATION
REF: S202, A205 & A402
SCALE: 1/4" = 1'-0"

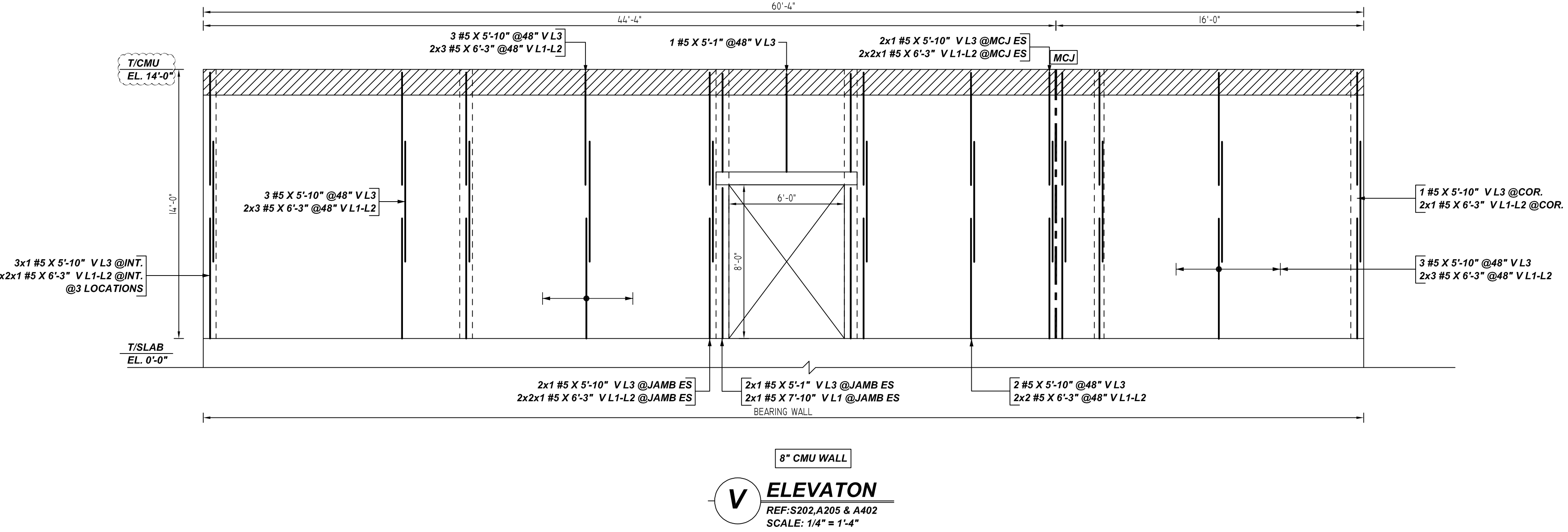
S ELEVATION
REF: S202, A205 & A402
SCALE: 1/4" = 1'-0"
(@2 LOCATIONS)

T ELEVATION
REF: S202, A205 & A402
SCALE: 1/4" = 1'-0"
(@2 LOCATIONS)

U ELEVATION
REF: S202, A205 & A402
SCALE: 1/4" = 1'-4"

LEGEND

- NO. OF LOCATION
- NO. OF LIFT
- NO. OF BARS
- 2x1 #5x6'-6" VERTS
- NO. OF LIFT (OR) NO. OF LOCATION
- NO. OF BARS
- 2x1 #5x6'-6" VERTS
- LIFT 1 TO LIFT 6
- 2x1 #5x6'-6" VERTS L1-L6



V ELEVATION
REF: S202, A205 & A402
SCALE: 1/4" = 1'-4"

TYPICAL REINFORCING BAR CLEARANCE TABLE

LOCATION	MIN. COVER
WALL	2" CLR

**ALL BARS IN THIS DRAWING
ASTM A615 GRADE 60
BLACK UNCOATED**

LAP SCHEDULE

8" CMU WALL

BAR #	LENGTH
#3	16"
#4	21"
#5	27"
#6	51"
#7	63"
#8	72"

LAP SCHEDULE

6" CMU WALL

BAR #	LENGTH
#3	16"
#4	25"
#5	40"

FOR APPROVAL

GRADE	A615/60(UNO)			STRUCTURE	CMU WALL REINFORCEMENT DETAILS
PREFIX					
BAR LIST NOS.				JOB NO	
REV	DESCRIPTION	ISSUED DATE	ISSUED FOR	CUSTOMER	GRADE INDUSTRIAL
0	IFA	09/21/2022	APPROVAL	JOB	VAILE GATE ELEMENTARY
				LOCATION	
				DRAWN	
				DATE	09/21/2022
				CONTROL CODE	-
				DWG. NO.	M05