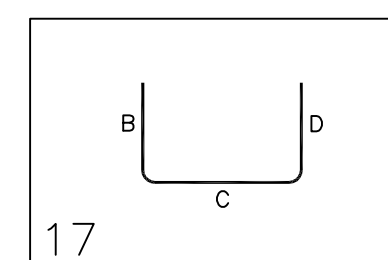
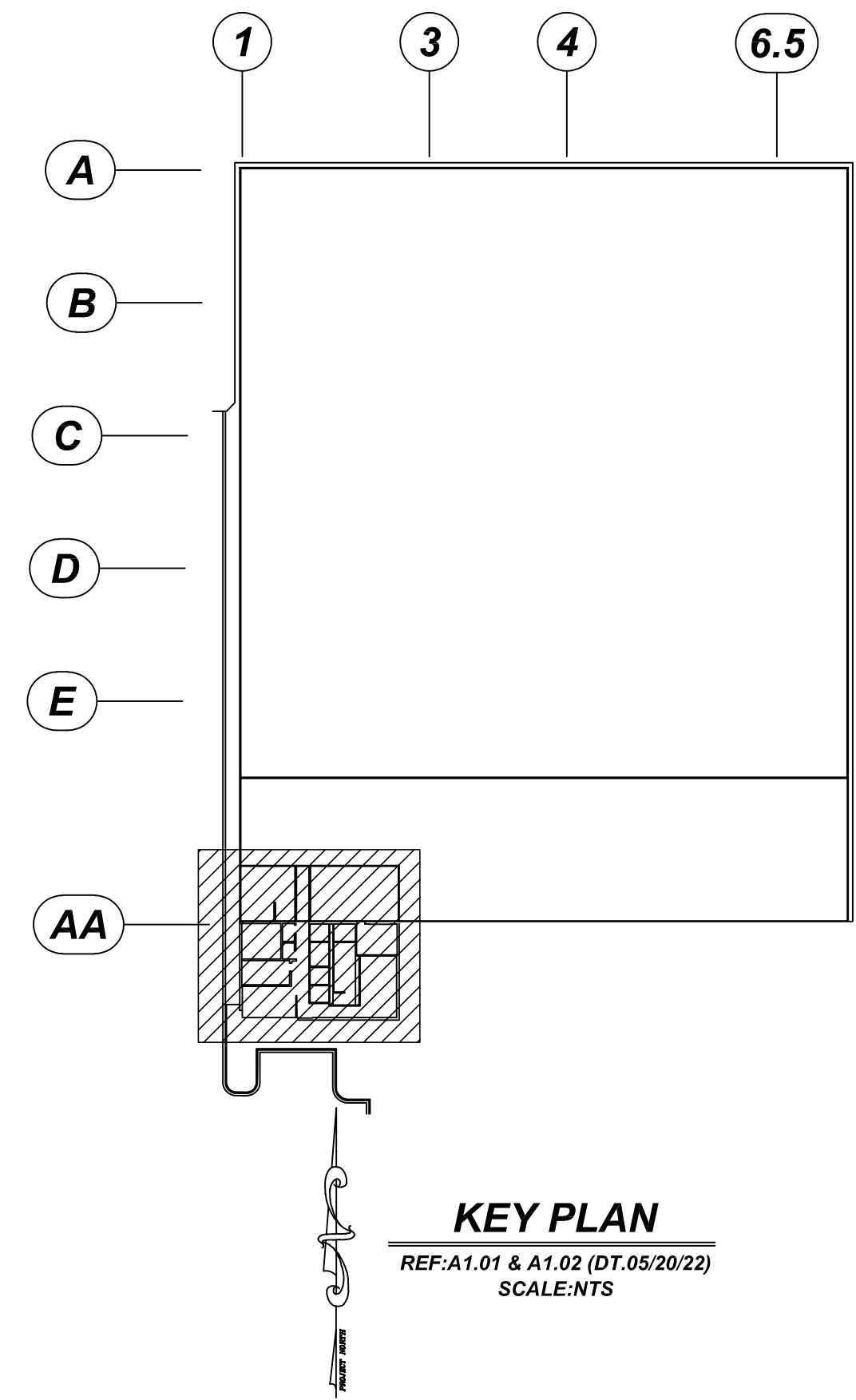
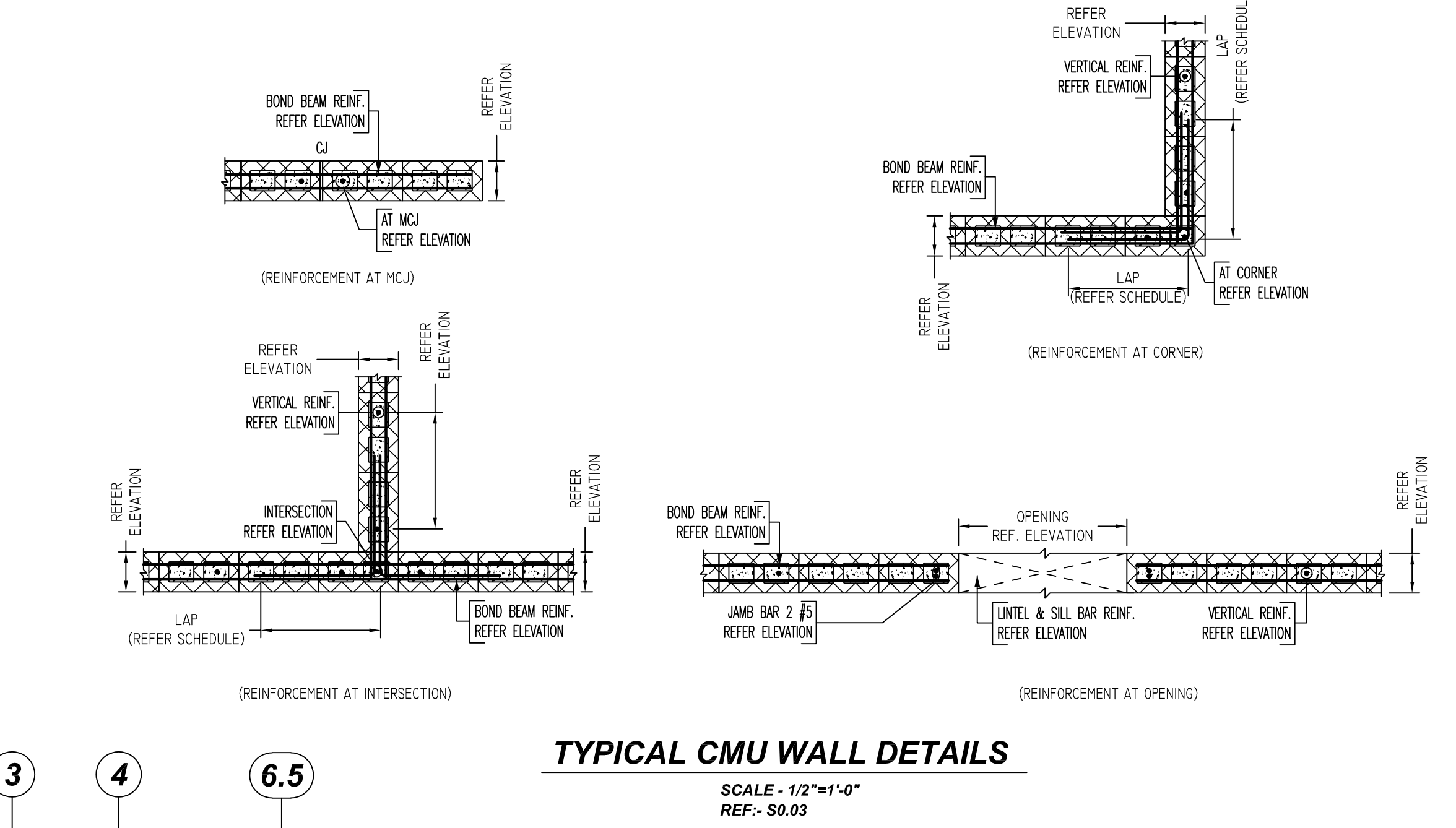
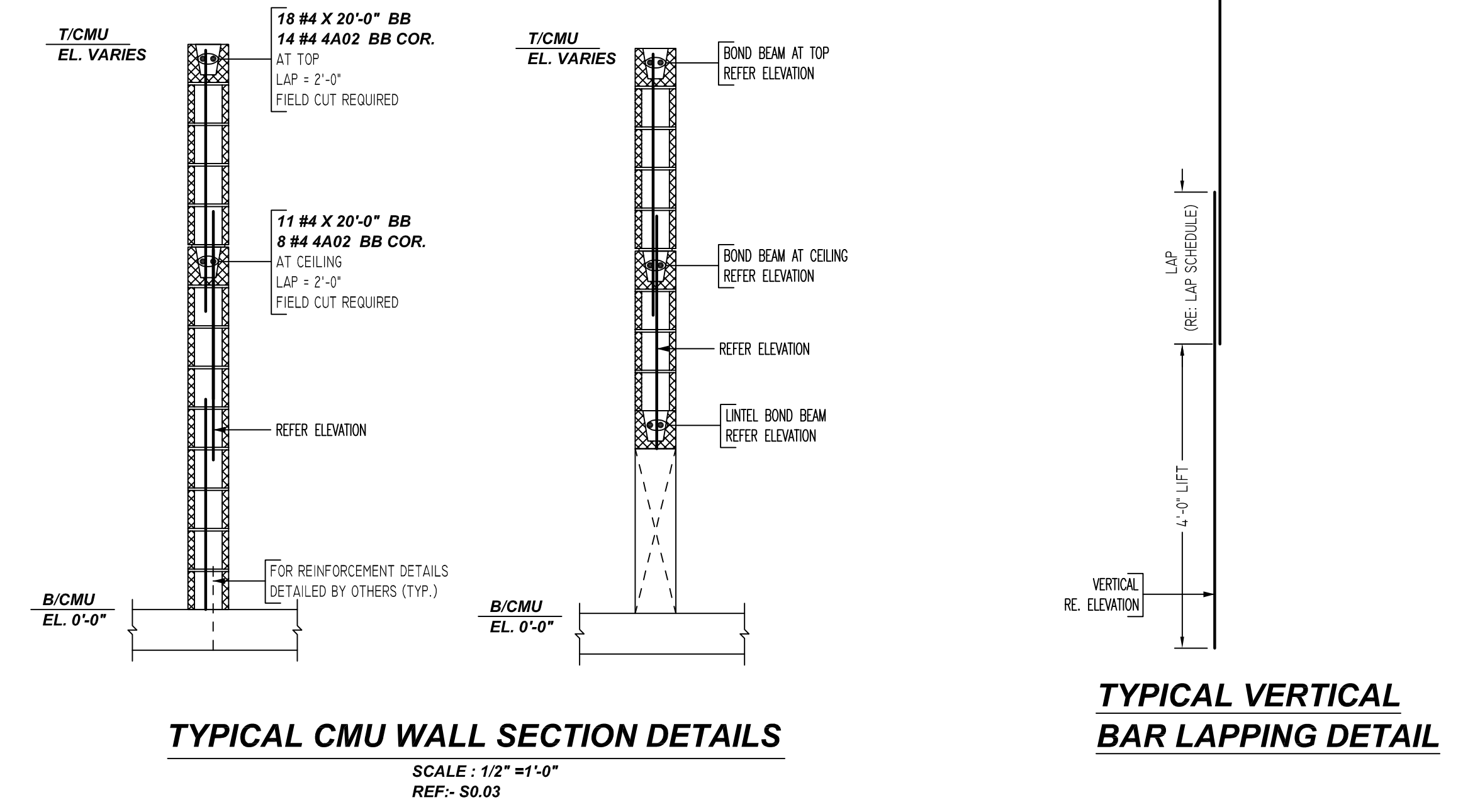


**CMU WALL LAYOUT**  
 REF: A1.01 & A1.02 (DT.05/20/22)  
 SCALE: 3/16" = 1'-0"

Release Number: M01		BENDING DETAILS												
Bar Mark	Qty	Size	Total Length	Type	X'	Y'	Z'	U'	V'	W'	X'	Y'	Z'	U'
4A02	22	#4	4'-0"	17		2'-0"	2'-0"							



17

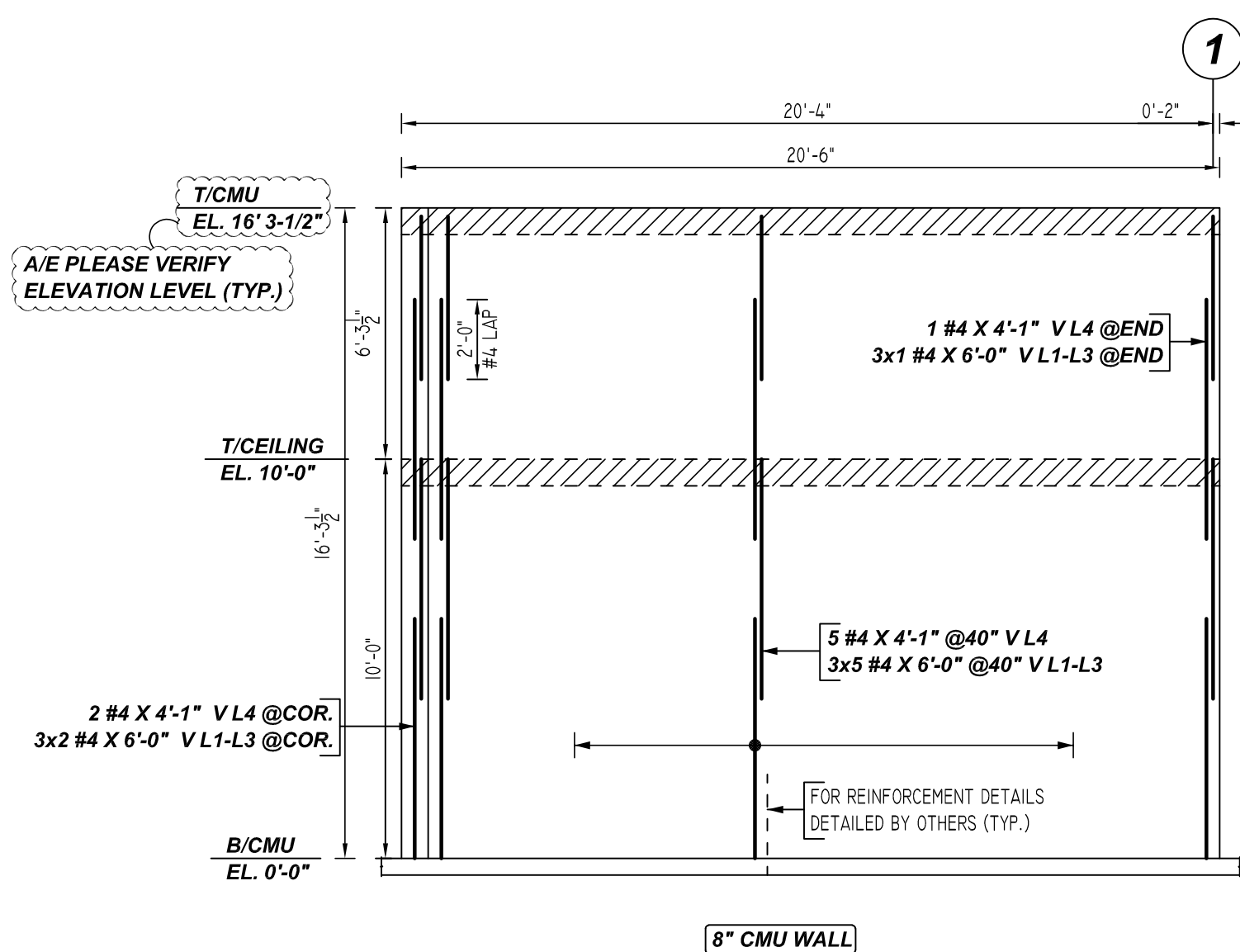


FOR APPROVAL

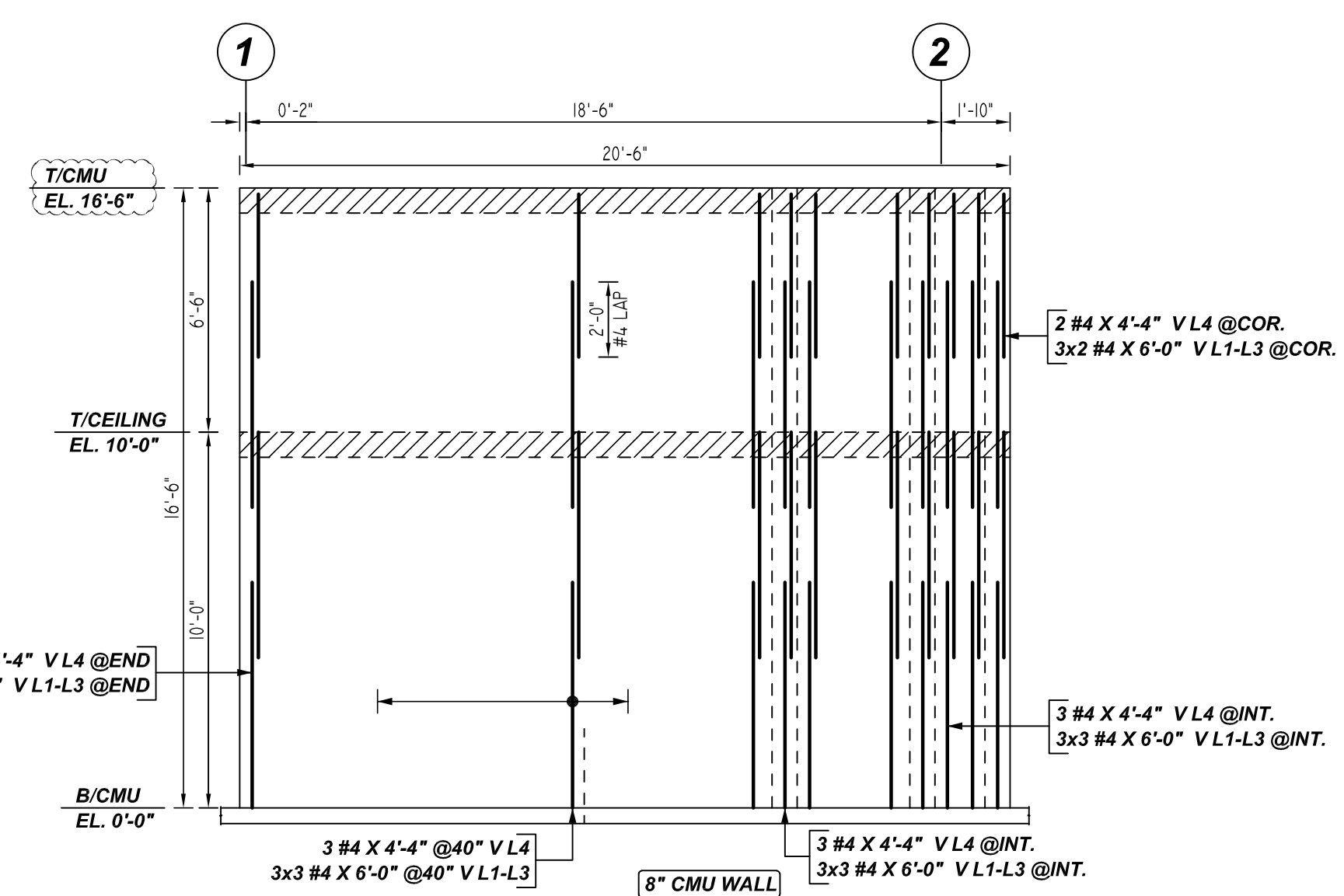
LEGEND		LAP SCHEDULE		TYPICAL REINFORCING BAR CLEARANCE TABLE	
NO. OF LOCATION	NO. OF LIFT	BAR#	LENGTHS	LOCATION	MIN. COVER
2x3x2		#3	1'-6"	WALL TOP & SIDE	2" CLR
		#4	2'-0"		
		#5	2'-6"		
		#6	3'-0"		
		#7	3'-6"		
		#8	4'-0"		
		#9	4'-7"		
		#10	5'-1"		
		#11	5'-8"		

**ALL BARS IN THIS DRAWING  
 ASTM A615 GRADE 60  
 BLACK UNCOATED**

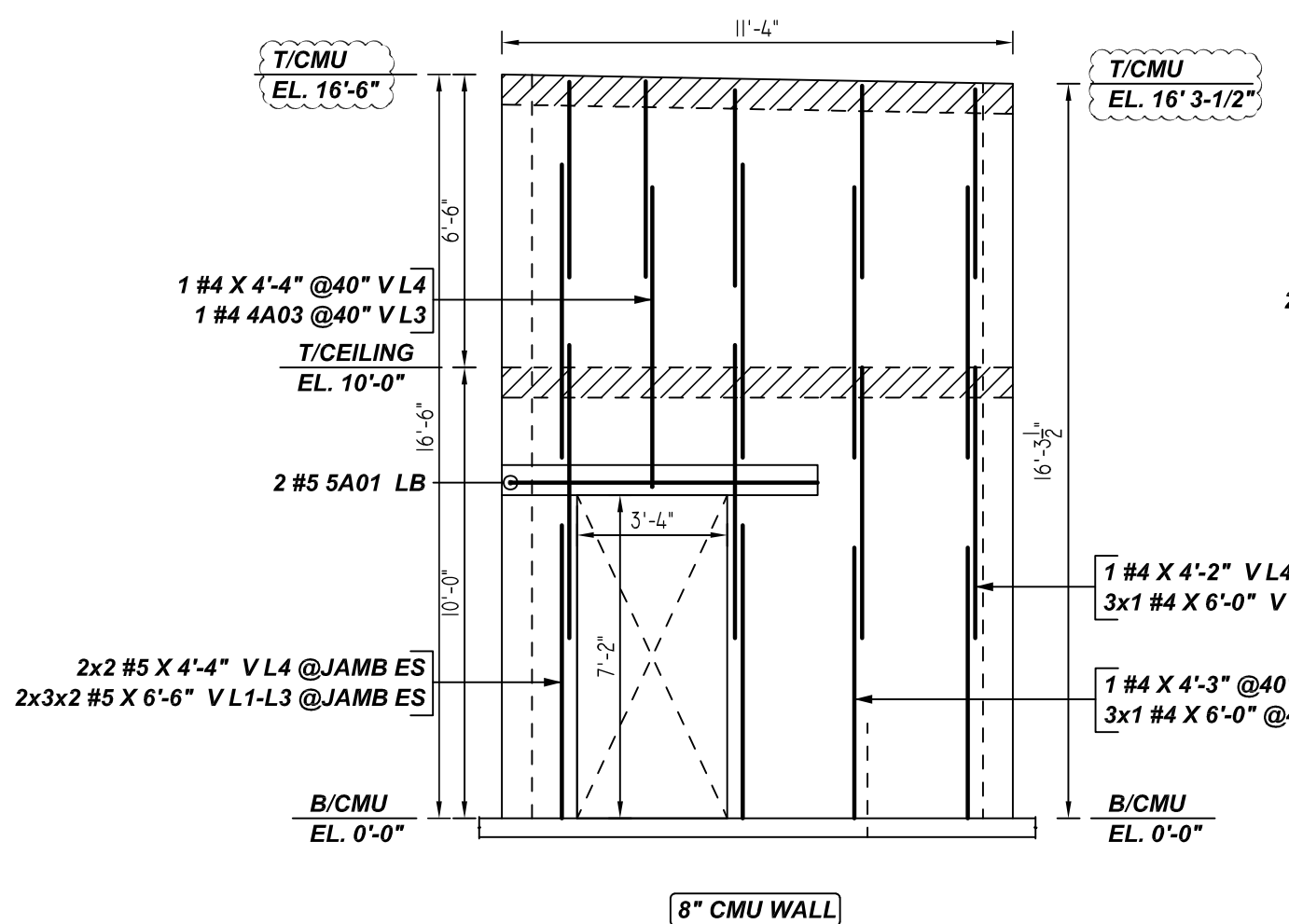
GRADE	A615/60(UNO)		
PREFIX	A		
BAR LIST NOS.	-		
REV	DESCRIPTION	ISSUED DATE	ISSUED FOR
0	IFA	08/19/2022	APPROVAL
STRUCTURE	CMU WALL LAYOUT		
FLOOR	1ST FLOOR TO CEILING		
JOB NO	-		
CUSTOMER	JIMMY Z MASONRY		
JOB	LOMBARD COLD STORAGE		
LOCATION	448 W. NORTH AVE LOMBARD, IL 60148		
DRAWN	DATE	CONTROL CODE	DWG. NO.
MRS	08/19/2022	-	M01



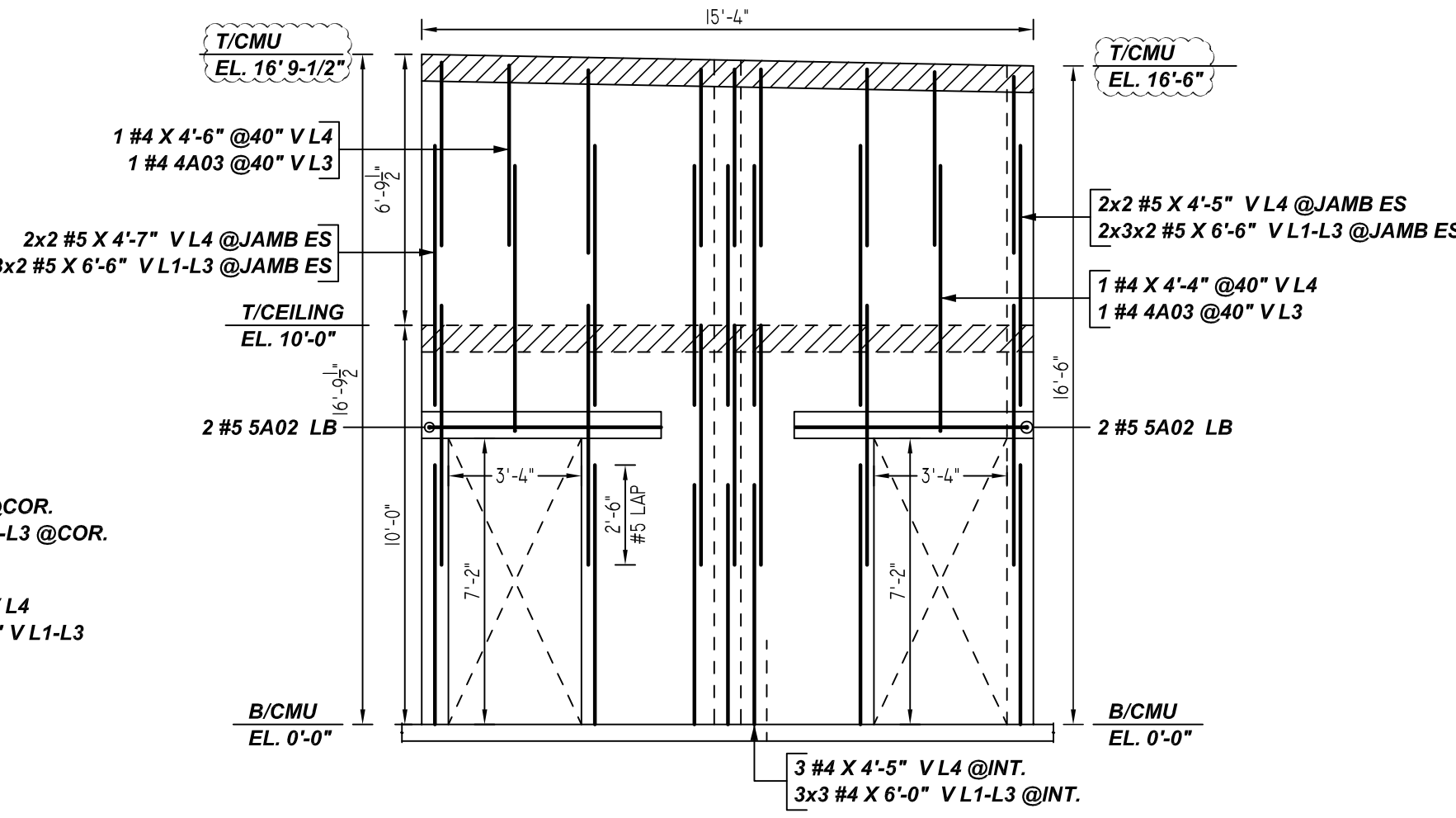
**A ELEVATION**  
 REF: S1.00, S2.00, A1.01 & A1.02  
 SCALE: 1/2" = 1'-0"



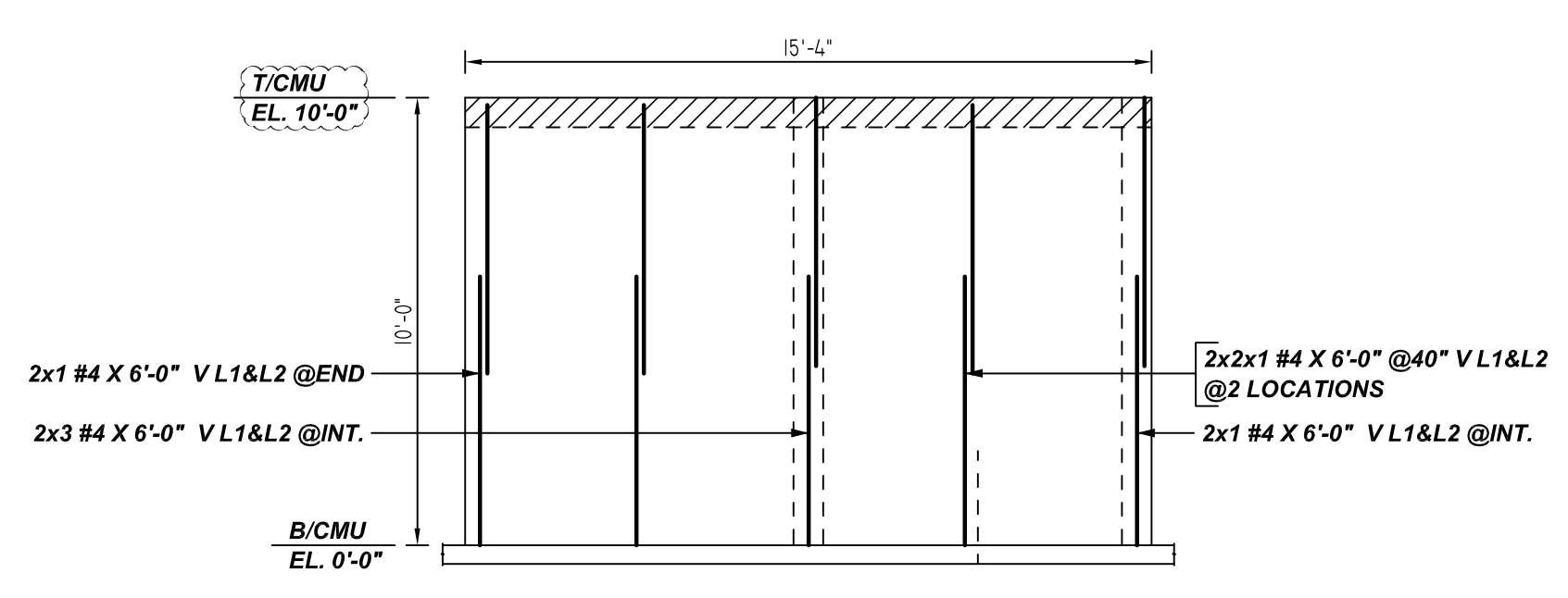
**B ELEVATION**  
 REF: S1.00, S2.00, A1.01 & A1.02  
 SCALE: 1/2" = 1'-0"



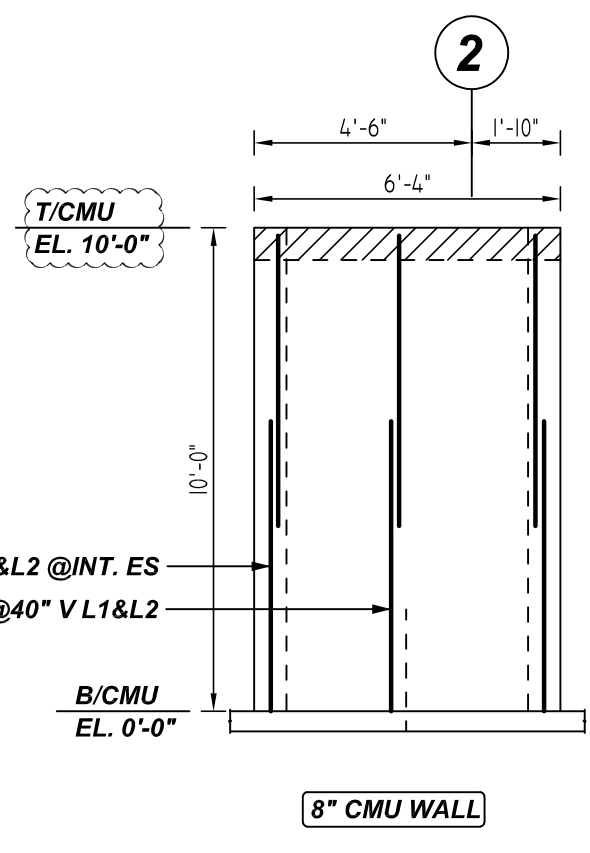
**C ELEVATION**  
 REF: S1.00, S2.00, A1.01 & A1.02  
 SCALE: 1/2" = 1'-0"



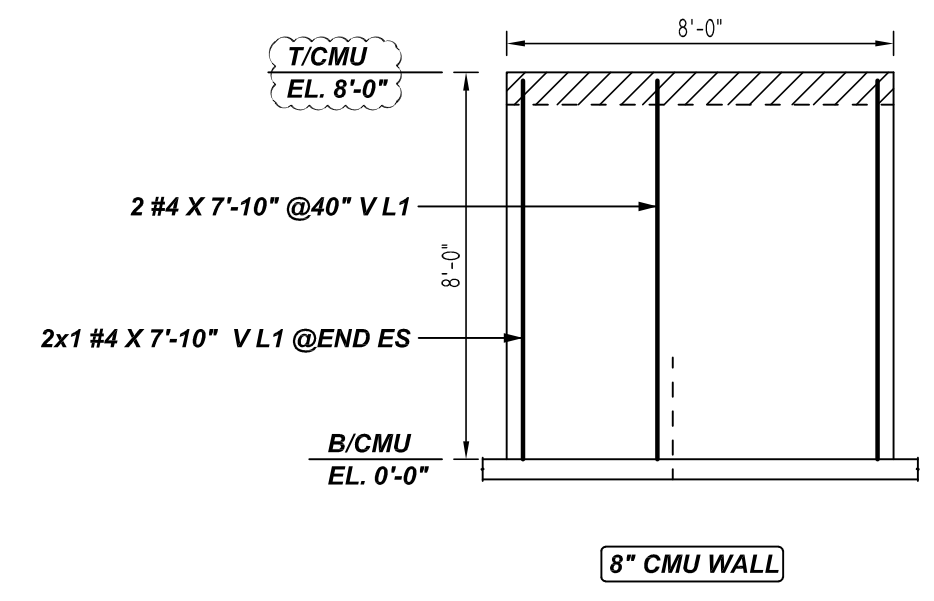
**D ELEVATION**  
 REF: S1.00, S2.00, A1.01 & A1.02  
 SCALE: 1/2" = 1'-0"



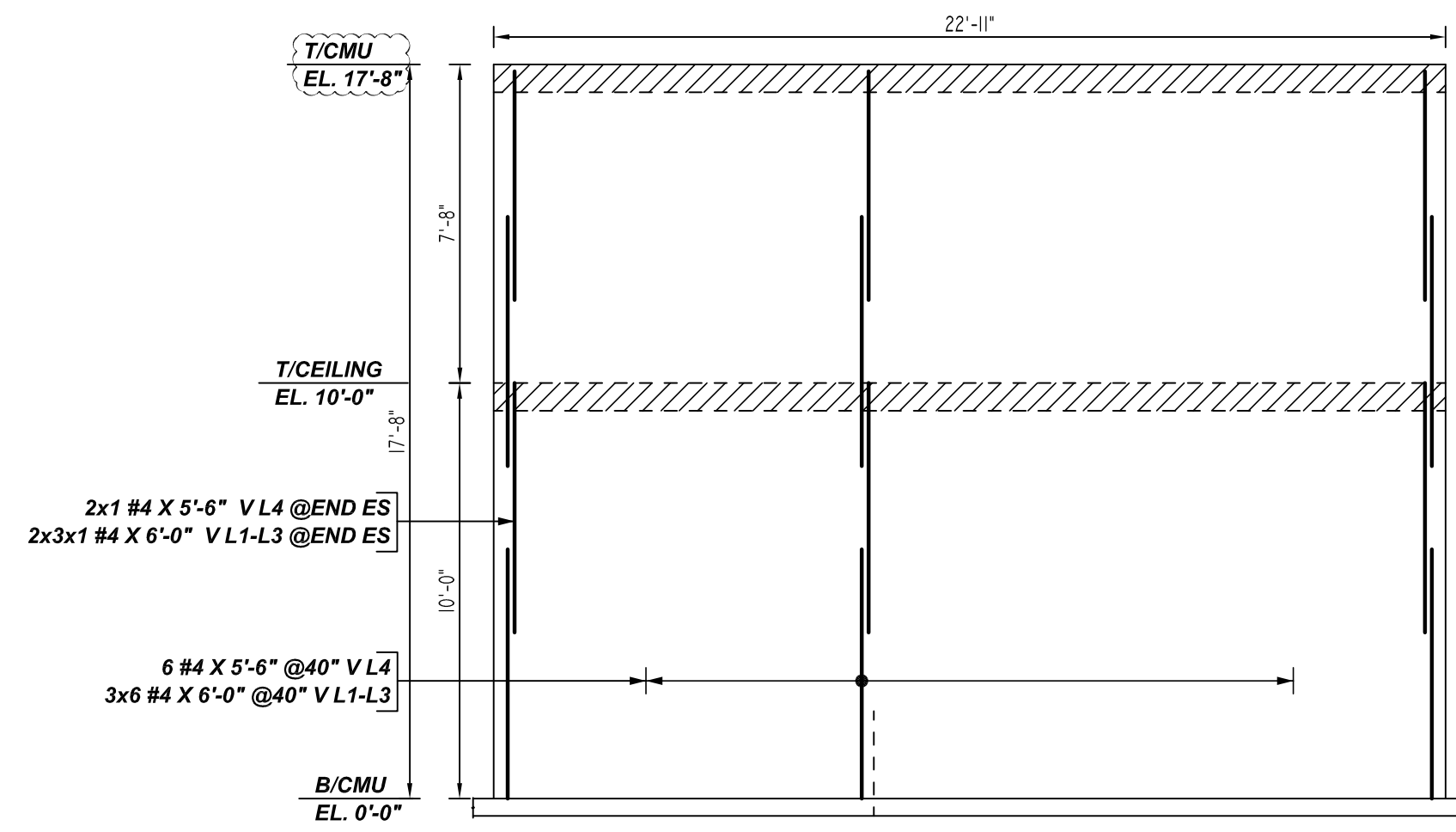
**E ELEVATION**  
 REF: S1.00, S2.00, A1.01 & A1.02  
 SCALE: 1/2" = 1'-0"



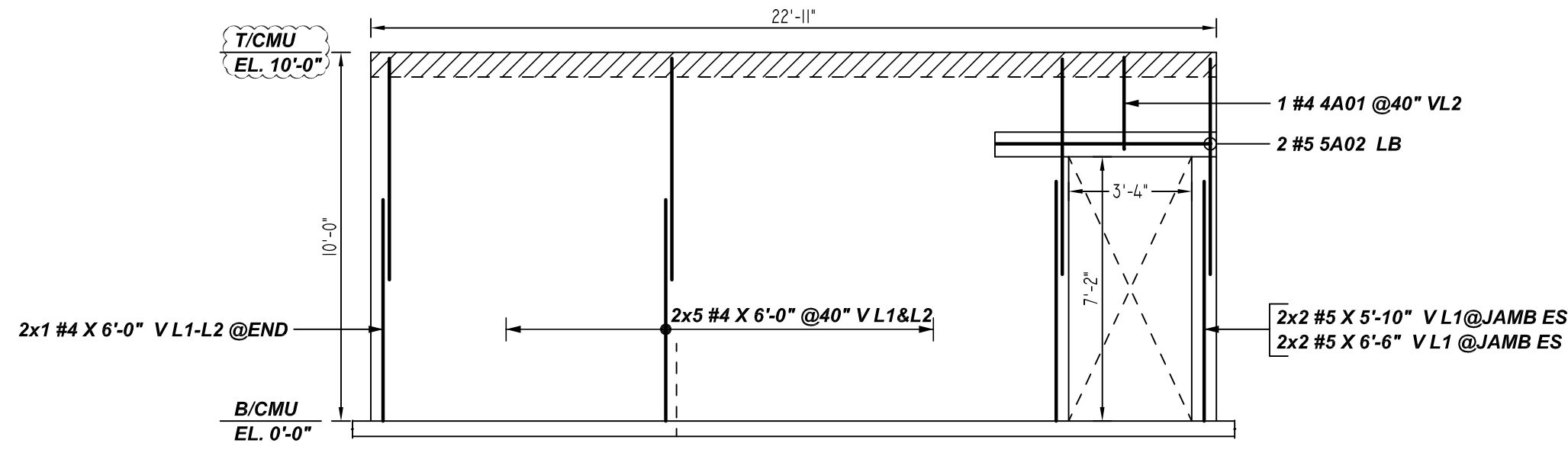
**F ELEVATION**  
 REF: S1.00, S2.00, A1.01 & A1.02  
 SCALE: 1/2" = 1'-0"



**G ELEVATION**  
 REF: S1.00, S2.00, A1.01 & A1.02  
 SCALE: 1/2" = 1'-0"



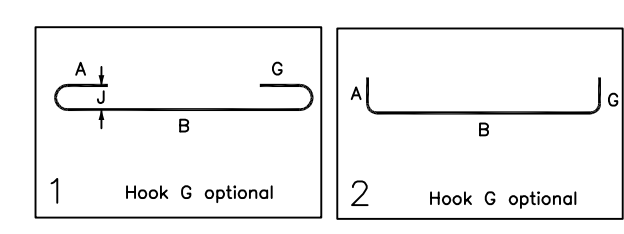
**H ELEVATION**  
 REF: S1.00, S2.00, A1.01 & A1.02  
 SCALE: 1/2" = 1'-0"



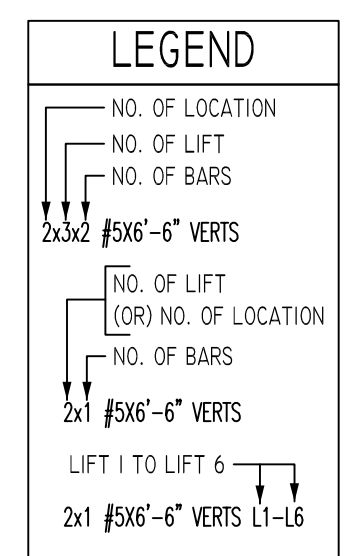
**J ELEVATION**  
 REF: S1.00, S2.00, A1.01 & A1.02  
 SCALE: 1/2" = 1'-0"

Rebar Number: M02

Bar Mark	Qty	Size	Total Length	Type	X	Y	Z	W	V	U	T	S	R	Q	P	O	N	M
4A01	1	#4	3'-0"	1	0'-6"	2'-6"												0'-4"
4A03	1	#4	7'-2"	1	0'-6"	6'-8"												0'-4"
5A01	2	#5	7'-8"	2	0'-10"	6'-10"												
5A02	2	#5	6'-8"	2	0'-10"	5'-10"												



FOR APPROVAL



**LAP SCHEDULE**

Per ACI 318 (12.2.2)

BAR#	LENGTHS
#3	1'-6"
#4	2'-0"
#5	2'-6"
#6	3'-0"
#7	3'-6"
#8	4'-0"
#9	4'-7"
#10	5'-1"
#11	5'-8"

TYPICAL REINFORCING BAR CLEARANCE TABLE

LOCATION	MIN. COVER
WALL TOP & SIDE	2" CLR

**ALL BARS IN THIS DRAWING  
 ASTM A615 GRADE 60  
 BLACK UNCOATED**

GRADE	A615/60(UNO)		
PREFIX	A		
BAR LIST NOS.	-		
REV	DESCRIPTION	ISSUED DATE	ISSUED FOR
0	IFA	08/19/2022	APPROVAL
STRUCTURE	CMU WALL REINFORCEMENT DETAILS		
FLOOR	1ST FLOOR TO CEILING		
JOB NO.	-		
CUSTOMER	JIMMY Z MASONRY		
JOB	LOMBARD COLD STORAGE		
LOCATION	448 W. NORTH AVE LOMBARD, IL 60148		
DRAWN	DATE	CONTROL CODE	DWG. NO.
MRS	08/19/2022	-	M02