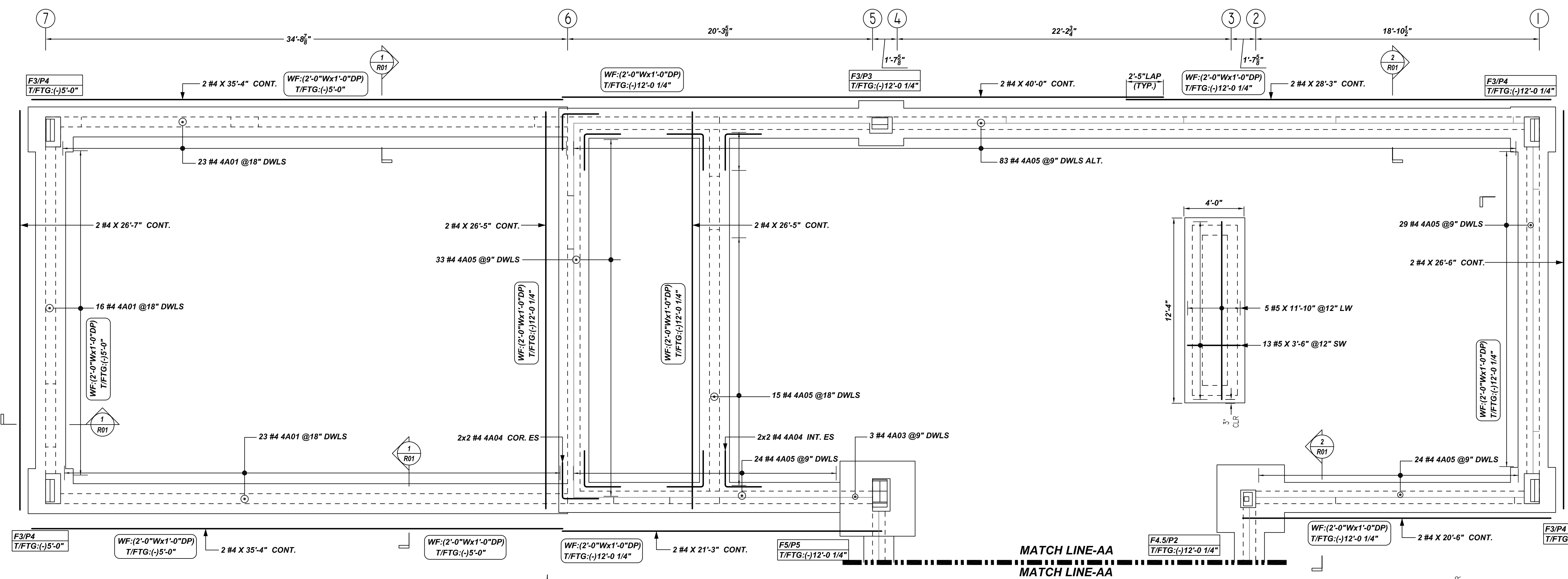


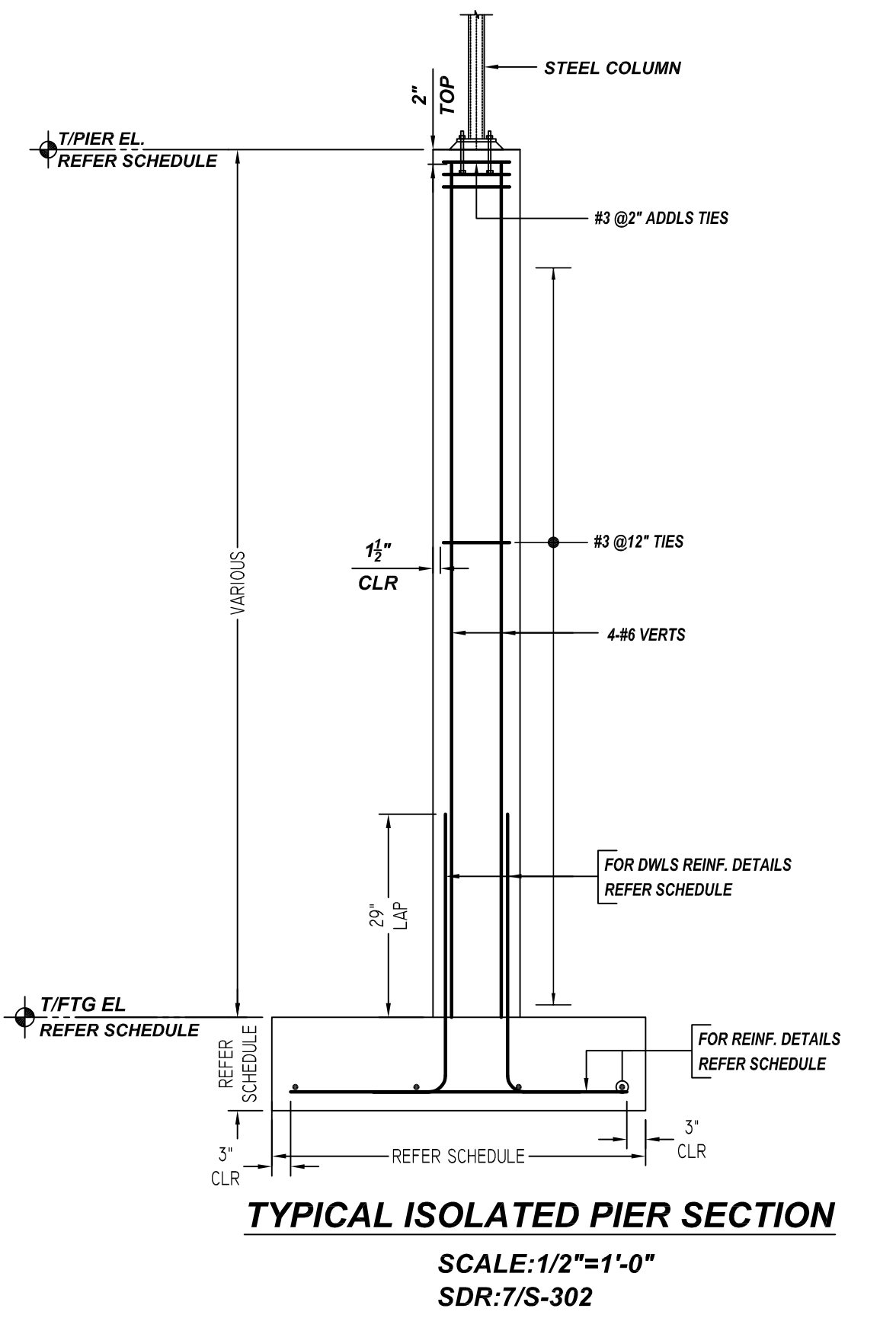
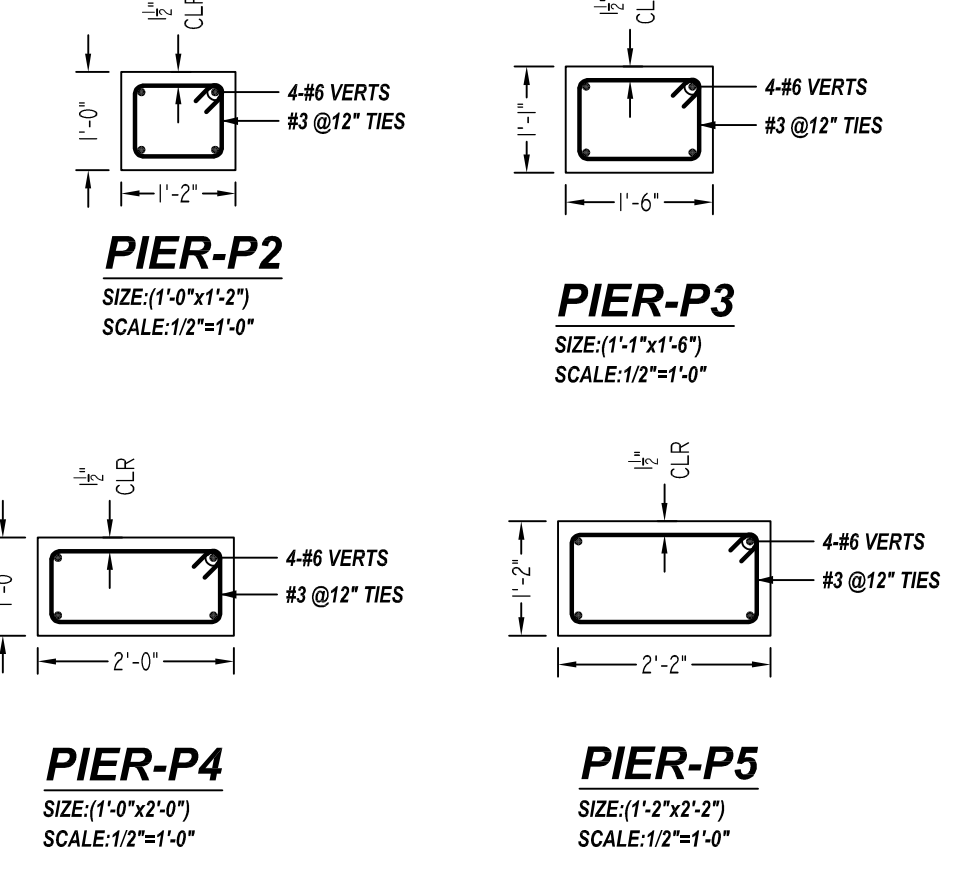
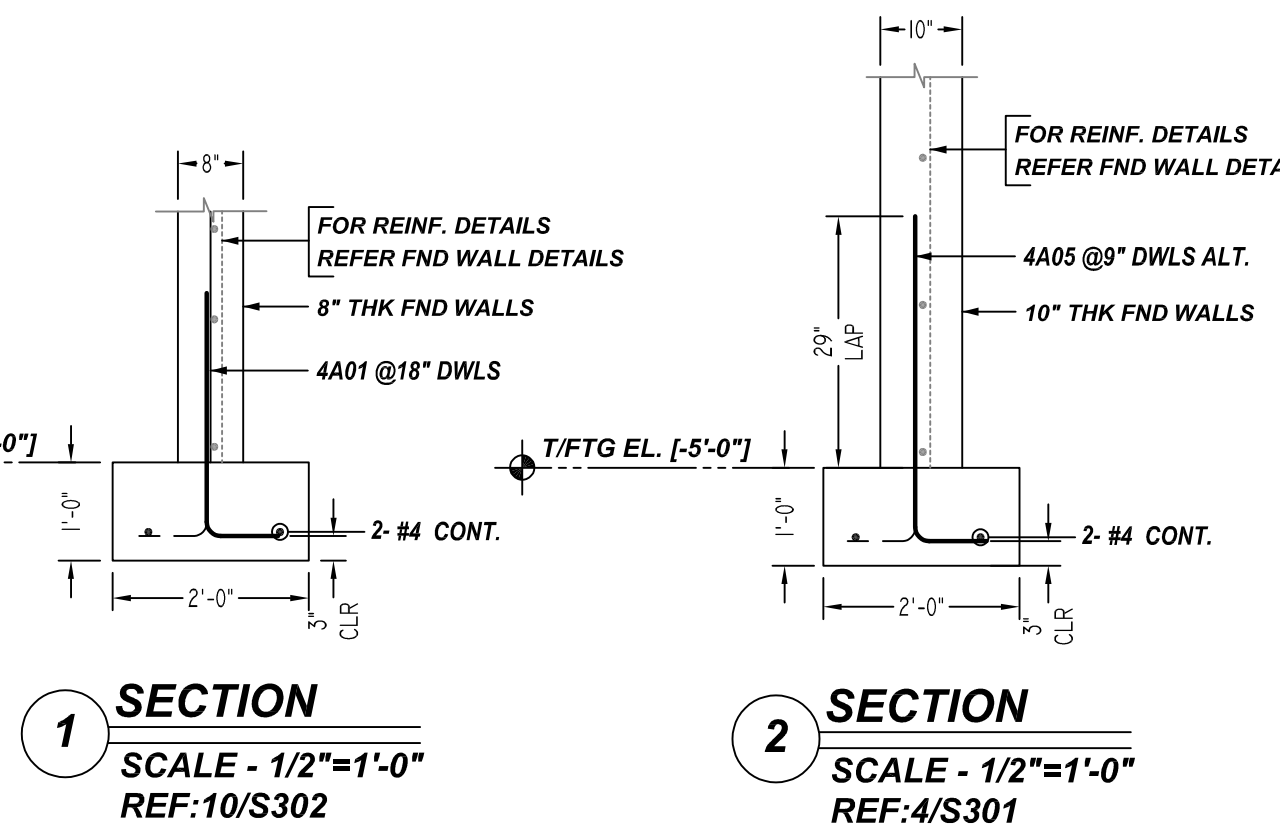
NOTICE
 SHORTAGES, IMPROPER FABRICATION OR CLAIMS FOR ANY OTHER REASON MUST BE REPORTED TO THIS COMPANY WITHIN 10 DAYS FROM ORIGINAL DELIVERY. THIS COMPANY ALSO RESERVES THE RIGHT TO FIELD INSPECT MATERIALS PRIOR TO REPLACEMENT OR RECONDITIONING OF MATERIALS AND WILL NOT BE LIABLE FOR CHARGES FROM WORK DONE IN THE FIELD WITHOUT PRIOR AUTHORIZATION FROM THIS COMPANY.

REINFORCING STEEL PLACING DRAWING ONLY. USE IN CONJUNCTION WITH CONTRACT DRAWINGS & SPECIFICATIONS. ELEVATIONS & DIMENSIONS SHOWN ON DRAWING ARE FOR DETAILING PURPOSES ONLY AND SHOULD NOT BE USED FOR CONSTRUCTION UNLESS VERIFIED BY ENGINEER OR CONTRACTOR.



FOOTING AND DOWEL REINFORCEMENT DETAILS - PART A

SCALE: 1/4"=1'-0"
 REF: S-100 & S-101



FOOTING SCHEDULE

MARK	QTY	SIZE(LxWxD)	GRID LOCATION	REINFORCING	REMARK
F3	5	3'-0"X3'-0"X1'-0"	A/1,A/5,A/7,B/1 & B/7	5x2x3 #4 X 2'-6" EW	-
F4.5	1	4'-6"X4'-6"X1'-0"	B/2	2x4 #5 X 4'-0" EW	-
F5.0	1	5'-0"X5'-0"X1'-3"	B/5	2x4 #5 X 4'-6" EW	-

PIER SCHEDULE

MARK	QTY	SIZE	GRID LOCATION	T/FTG	T/PIER	VERTS	TIES & ADD'L TIES	REMARK
P2	1	1'-2"x1'-0"	B/2	(-)12'-0 1/4"	(-)0'-4 3/4"	4 #6 6A03 DWLS 4 #6 X 11'-5" VERTS	11 #3 3A02 @12" TIES 3 #3 3A02 @2" ADDLS TIES	-
P3	1	1'-6"x1'-1"	A/5	(-)12'-0 1/4"	(-)0'-4 7/8"	4 #6 6A03 DWLS 4 #6 X 11'-5" VERTS	11 #3 3A03 @12" TIES 3 #3 3A03 @2" ADDLS TIES	-
P4	2	2'-0"x1'-0"	A/7 & B/7	(-)5'-0"	0'-6"	2x4 #6 6A02 DIV	5 #3 3A04 @12" TIES 3 #3 3A02 @2" ADDLS TIES	-
P4	2	2'-0"x1'-0"	A/1 & B/1	(-)12'-0 1/4"	(-)0'-4 7/8"	2x4 #6 6A03 DWLS 2x4 #6 X 11'-5" VERTS	11 #3 3A04 @12" TIES 3 #3 3A02 @2" ADDLS TIES	-
P5	1	2'-2"x1'-2"	B/5	(-)12'-0 1/4"	(-)0'-4 7/8"	4 #6 6A03 DWLS 4 #6 X 11'-5" VERTS	11 #3 3A05 @12" TIES 3 #3 3A05 @2" ADDLS TIES	-

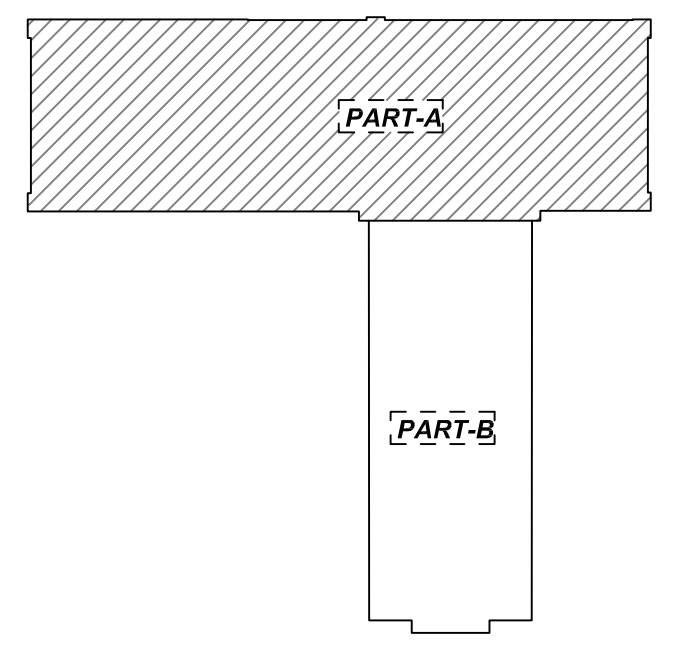
FOR PART-A FOOTING AND DOWEL REINFORCEMENT DETAILS REFER TO DRAWINGS R01
 FOR PART-B FOOTING AND DOWEL REINFORCEMENT DETAILS REFER TO DRAWINGS R02
 FOR PART-A&B FOUNDATION WALL REINFORCEMENT DETAILS REFER TO DRAWINGS R03 TO R06
 FOR SLAB ON GRADE REINFORCEMENT DETAILS REFER DRAWINGS R07

1. A/E PLEASE VERIFY THE ALL CLOUDED DIMENSIONS
2. A/E PLEASE VERIFY THE LAP VALUE WE FOLLOWED
3. A/E PLEASE VERIFY THE GRADE WE FOLLOWED (TYP.)

GC PLEASE VERIFY COVER WE FOLLOWED (TYP.)

TYPICAL BAR CLEARANCE TABLE

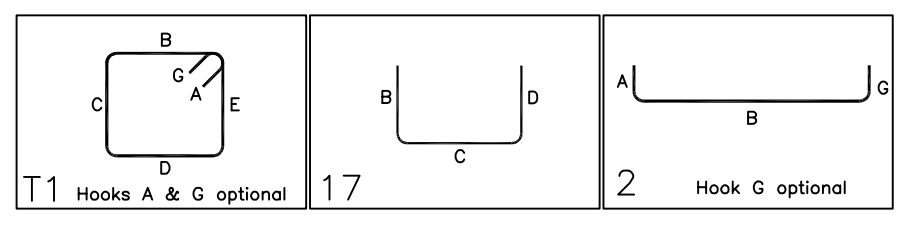
FOOTING:-	BOTTOM: 3"
FOOTING:-	SIDE: 3"
PIER:-	TIES: 1 1/2"



OVERALL KEY PLAN
 SCALE: N.T.S.
 REF: S-100 & S-101

Release Number: R01

Bar Mark	Qty	Size	Total Length	Type	X	Y	Z	W	V	U	T	S	R	Q	P	O	N	M	L	K	J	I	H	G	F	E	D	C	B	A
3A02	20	#3	2'-0"	T1	0'-4"	0'-11"	0'-9"	0'-11"	0'-9"																					
3A03	14	#3	4'-10"	T1	0'-4"	1'-3"	0'-10"	1'-3"	0'-10"																					
3A04	18	#3	5'-8"	T1	0'-4"	1'-9"	0'-9"	1'-9"	0'-9"																					
3A05	14	#3	6'-4"	T1	0'-4"	1'-11"	0'-11"	1'-11"	0'-11"																					
4A01	62	#4	3'-5"	T1	0'-4"	2'-8"	0'-9"																							
4A03	3	#4	4'-3"	2	0'-8"	3'-7"																								
4A04	8	#4	4'-10"	T1	0'-4"	2'-5"	2'-5"																							
4A05	208	#4	4'-11"	T1	0'-4"	0'-9"	3'-4"																							
6A02	8	#6	7'-0"	2	1'-0"	6'-0"																								
6A03	28	#6	4'-9"	2	1'-9"	3'-9"																								



REBAR GRADE 60 ASTM A-615

SPLICES USED

CLASS B 4,000 psi UNO

TOP BARS	OTHER BARS
#3 28"	#3 22"
#4 38"	#4 29"
#5 47"	#5 36"
#6 56"	#6 43"
#7 82"	#7 63"
#8 93"	#8 73"
#9 -	#9 -
#10 -	#10 -
#11 -	#11 -
#14 -	#14 -

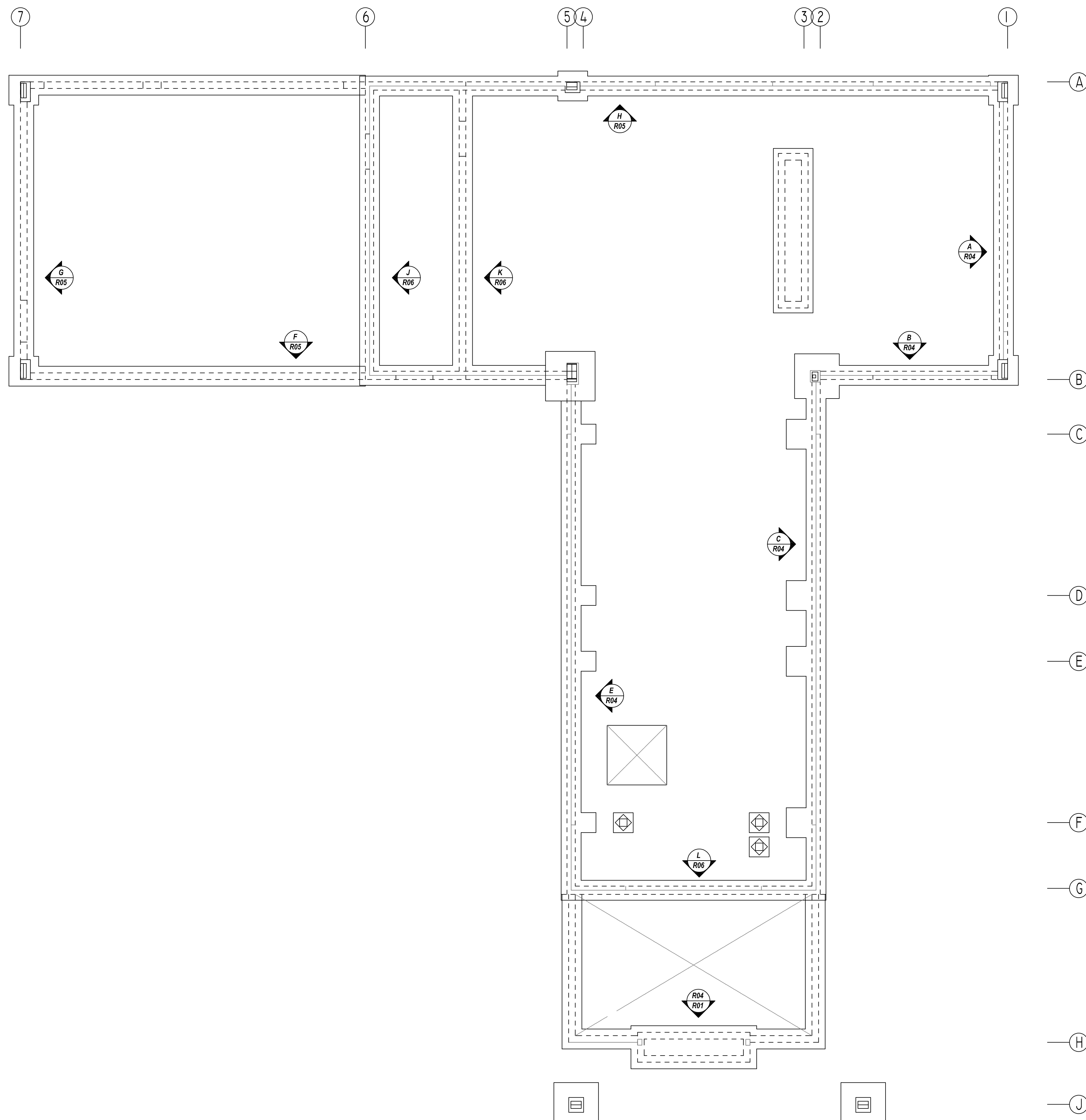
ABBREVIATIONS		BAR MARK SIZE EQUIVALENT	
ADD.	= Additional	Imperial	Soft Metric
B.O.W.	= Bottom of wall	#3	#10
C.B.	= Corner Bars	#4	#13
DIAG.	= Diagonal	#5	#16
D.O.	= Door Opening	#6	#19
DWLS.	= Dowels	#7	#22
E.F.	= Each Face	#8	#25
E.S.	= Each Side	#9	#29
E.W.	= Each Way	#10	#32
FTG.	= Footing	#11	#36
F.F.	= Far Face		
HORIZ.	= Horizontal		
I.F.	= Inside Face		
INTERS.	= Intersection		
L.W.	= Long Way		
N.F.	= Near Face		
O.F.	= Outside Face		
S.W.	= Short Way		
T&B	= Top & Bottom		
T.O.W.	= Top of Wall		
Trans.	= Transverse		
VERT.	= Vertical		

GREEN ACERS INITIATIVE
 FOOTING AND DOWEL REINFORCEMENT DETAILS
 RUPERT, VT

CUSTOMER: CROW HILL CONCRETE
 DESIGNER: ARTISAN ENGINEERS

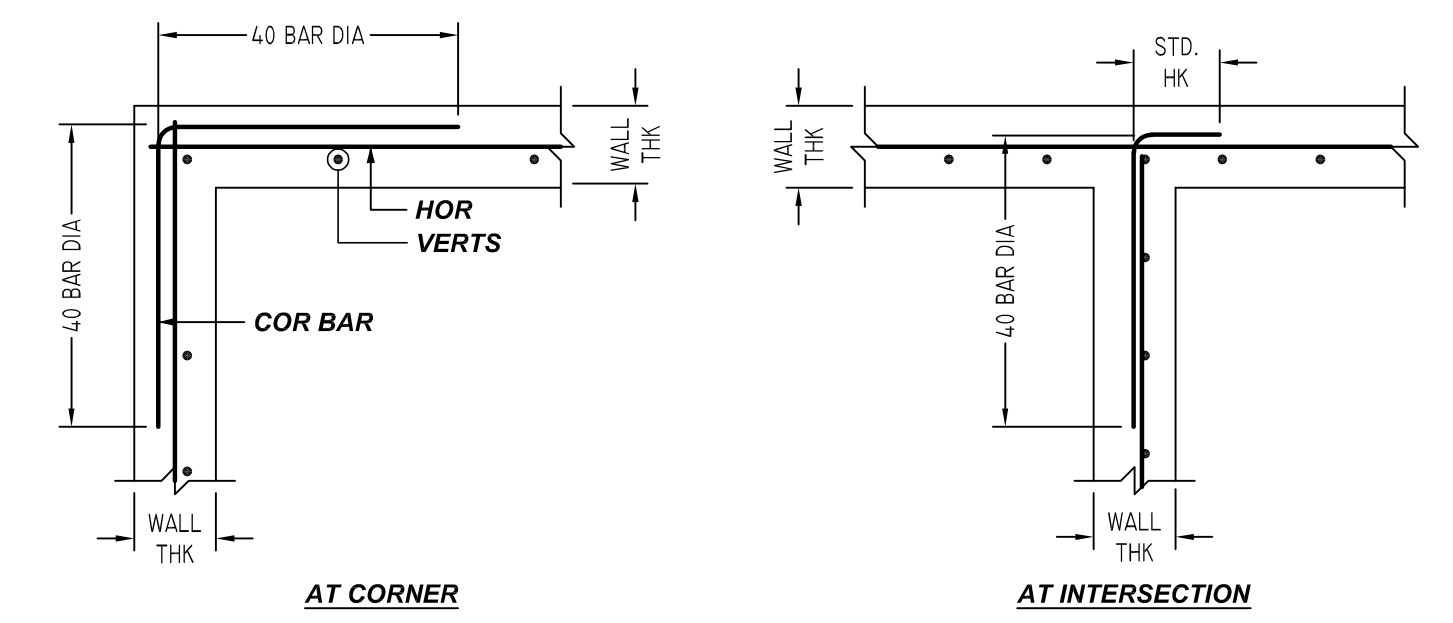
REV NO	DATE	APPROVAL	SENT FOR	REV NO	DATE	SENT FOR
0	06.29.21					

DRAWN BY	DATE	JOB NO	SHEET NO.
GOW / MET	06.29.21	M921P702	R01



NOTICE
 SHORTAGES, IMPROPER FABRICATION OR CLAIMS FOR ANY OTHER REASON MUST BE REPORTED TO THIS COMPANY WITHIN 10 DAYS FROM ORIGINAL DELIVERY. THIS COMPANY ALSO RESERVES THE RIGHT TO FIELD INSPECT MATERIALS PRIOR TO REPLACEMENT OR RECONDITIONING OF MATERIALS AND WILL NOT BE LIABLE FOR CHARGES FROM WORK DONE IN THE FIELD WITHOUT PRIOR AUTHORIZATION FROM THIS COMPANY.

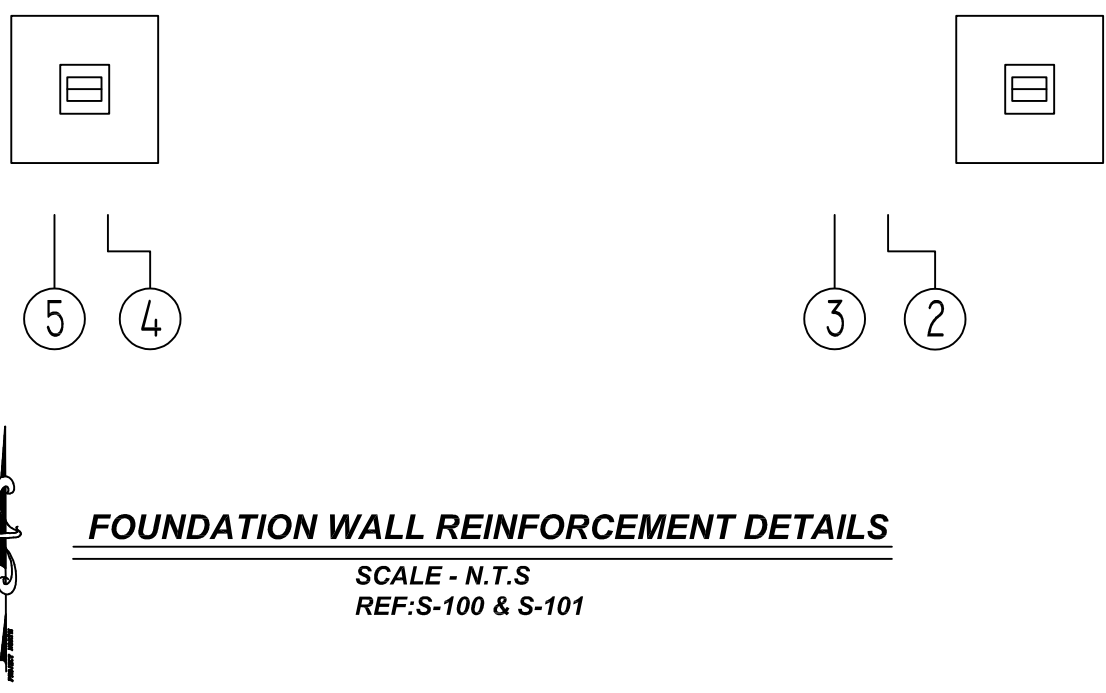
REINFORCING STEEL PLACING DRAWING ONLY. USE IN CONJUNCTION WITH CONTRACT DRAWINGS & SPECIFICATIONS. ELEVATIONS & DIMENSIONS SHOWN ON DRAWING ARE FOR DETAILING PURPOSES ONLY AND SHOULD NOT BE USED FOR CONSTRUCTION UNLESS VERIFIED BY ENGINEER OR CONTRACTOR.



TYPICAL WALL CORNER AND INTERSECTION DETAILS
 SCALE: 1/2"=1'-0"
 SDR: 7/S-302

FOR PART-A FOOTING AND DOWEL REINFORCEMENT DETAILS REFER TO DRAWINGS R01
 FOR PART-B FOOTING AND DOWEL REINFORCEMENT DETAILS REFER TO DRAWINGS R02
 FOR PART-A&B FOUNDATION WALL REINFORCEMENT DETAILS REFER TO DRAWINGS R03 TO R06
 FOR SLAB ON GRADE REINFORCEMENT DETAILS REFER DRAWINGS R07

- GC PLEASE VERIFY THE ALL CLOUDED DIMENSIONS
- GC PLEASE VERIFY THE LAP VALUE WE FOLLOWED



FOUNDATION WALL REINFORCEMENT DETAILS
 SCALE - N.T.S.
 REF: S-100 & S-101

REBAR GRADE 60 ASTM A-615			
SPLICES USED		ABBREVIATIONS	BAR MARK SIZE EQUIVALENT
CLASS B 4,000 psi UNO		ADD. = Additional	
		B.O.W. = Bottom of wall	
		C.B. = Corner Bars	
		DIAG. = Diagonal	
		D.O. = Door Opening	
		DWLS. = Dowels	
		E.F. = Each Face	#3 #10
		E.S. = Each Side	#4 #13
		E.W. = Each Way	#5 #16
		FTG. = Footing	#6 #19
		F.F. = Far Face	#7 #22
		HORIZ. = Horizontal	#8 #25
		I.F. = Inside Face	#9 #29
		INTERS. = Intersection	#10 #32
		L.W. = long Way	#11 #36
		N.F. = Near Face	
		O.F. = Outside Face	
		S.W. = Short Way	
		T&B = Top & Bottom	
		T.O.W. = Top of Wall	
		Trans. = Transverse	
		VERT. = Vertical	
TOP BARS	OTHER BARS		
#3 28"	#3 22"		
#4 38"	#4 29"		
#5 47"	#5 36"		
#6 56"	#6 43"		
#7 82"	#7 63"		
#8 93"	#8 73"		
#9 -	#9 -		
#10 -	#10 -		
#11 -	#11 -		
#14 -	#14 -		

GREEN ACERS INITIATIVE
 FOUNDATION WALL REINFORCEMENT DETAILS
 RUPERT, VT

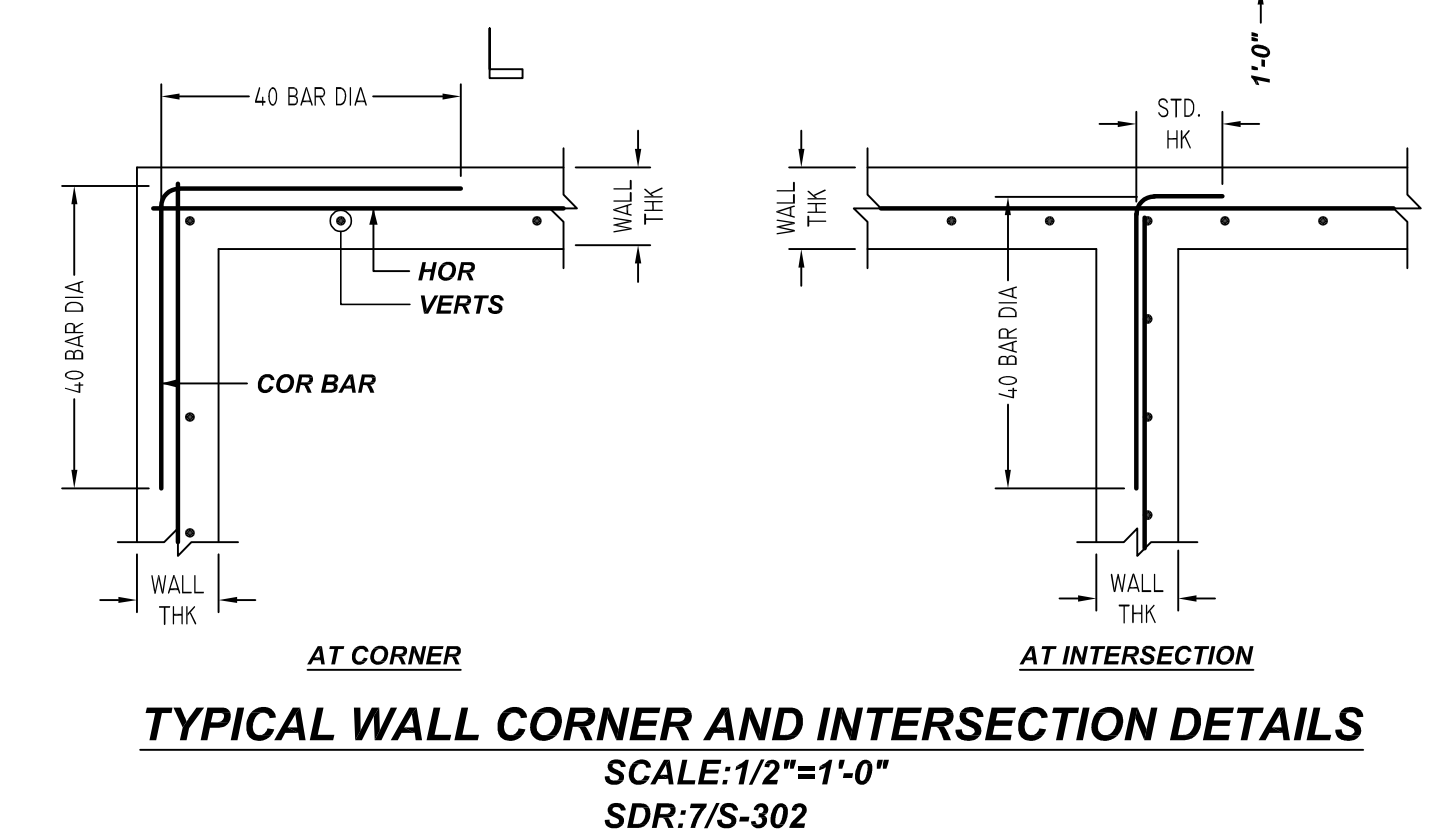
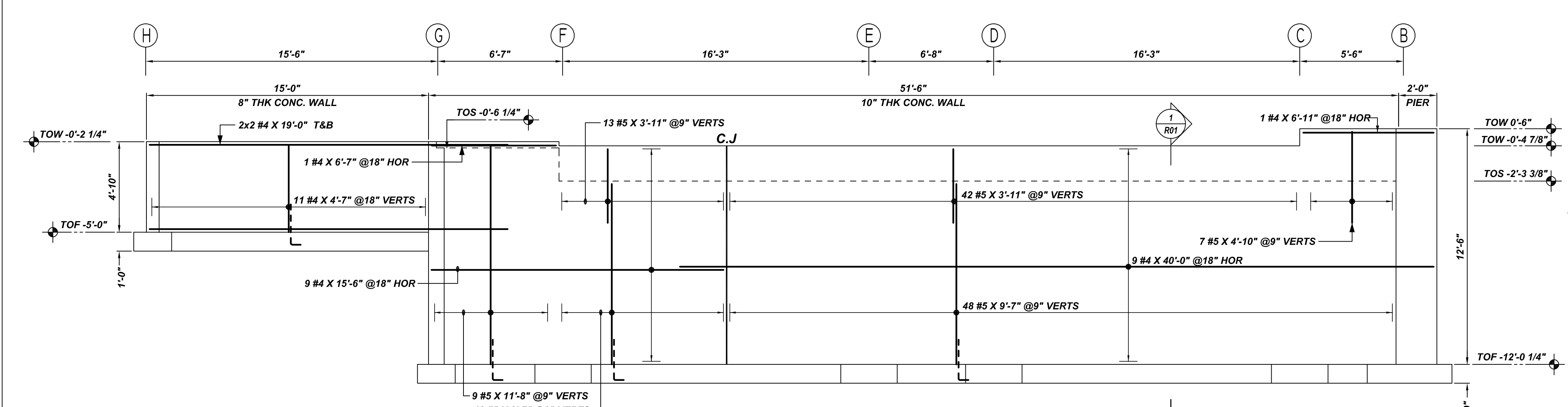
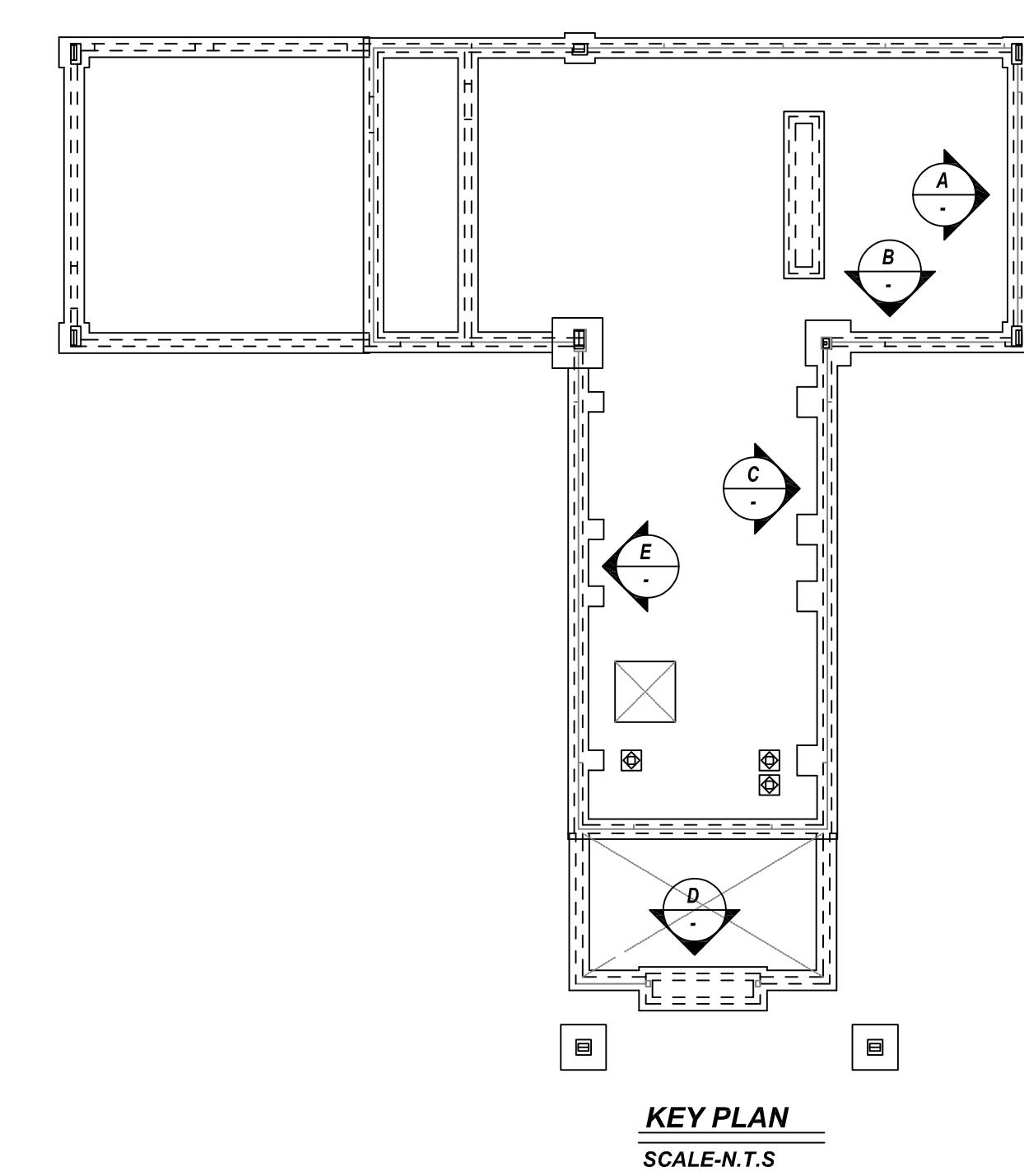
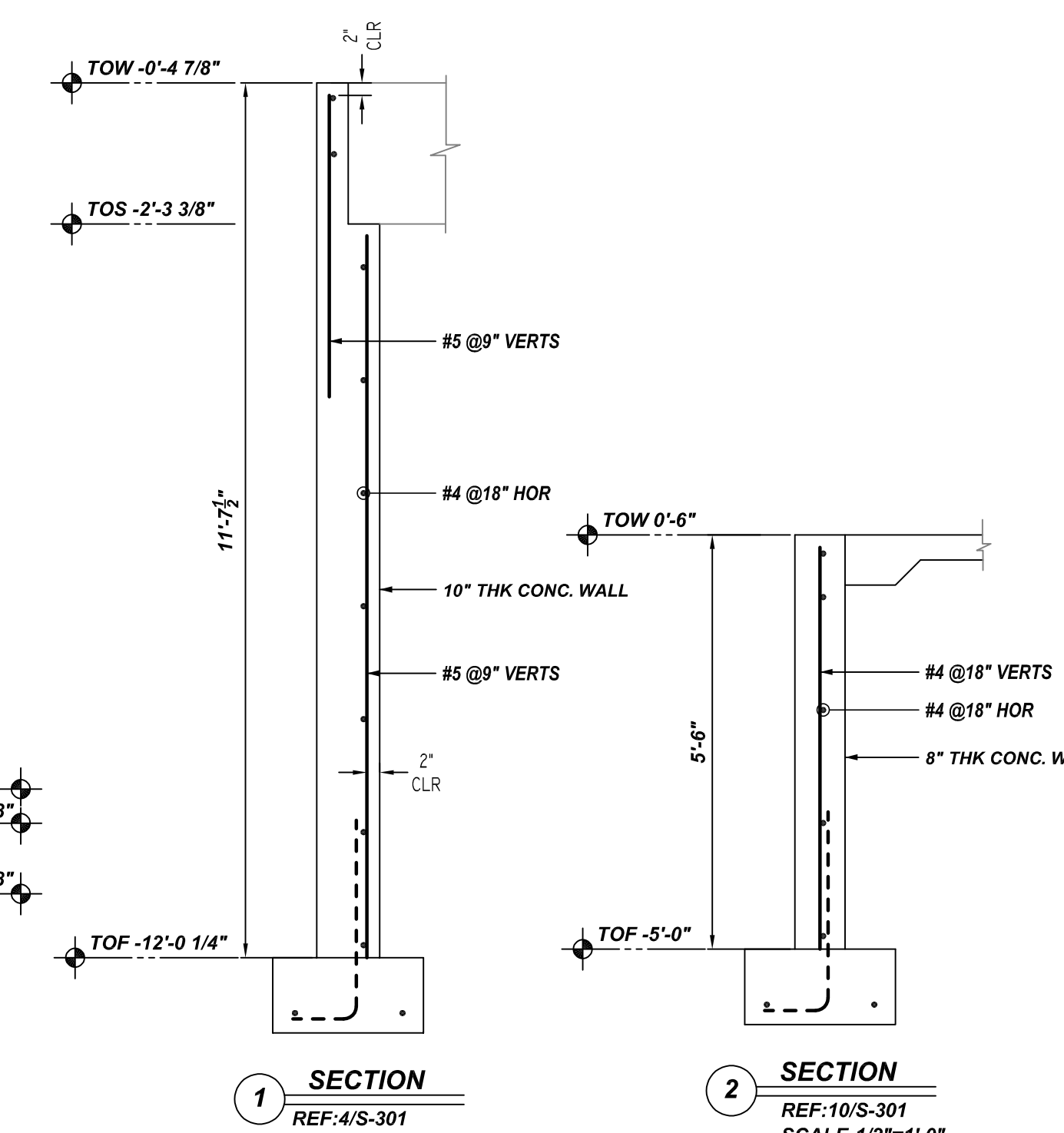
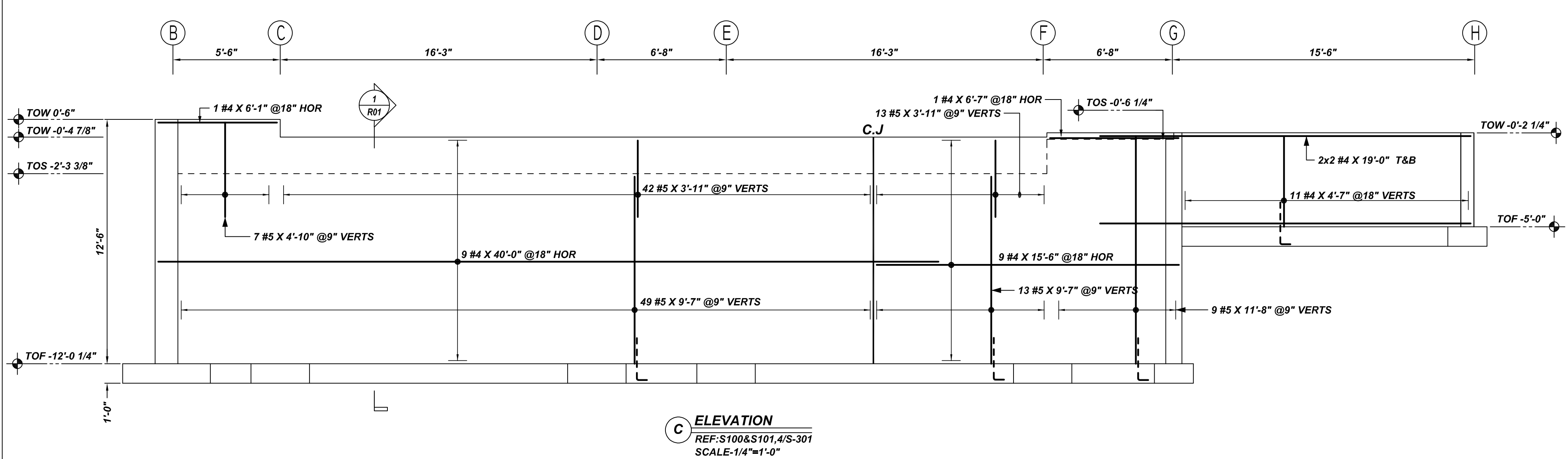
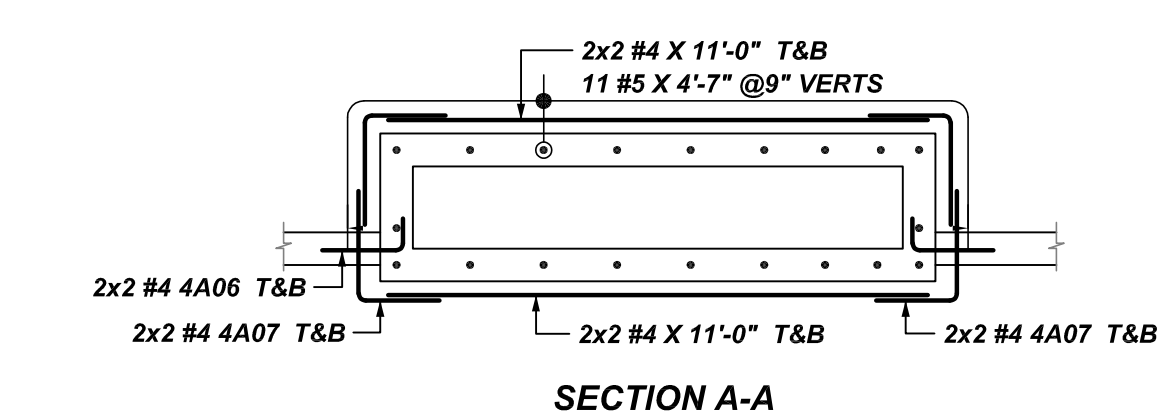
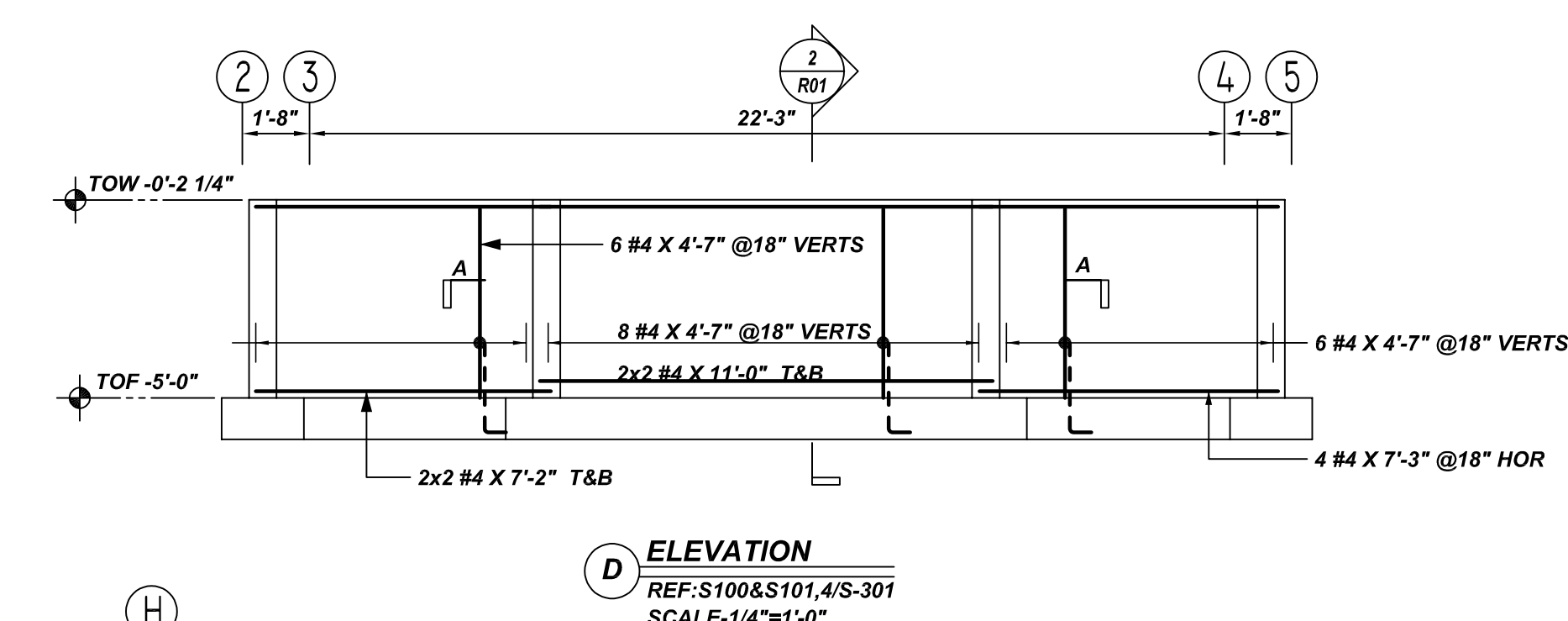
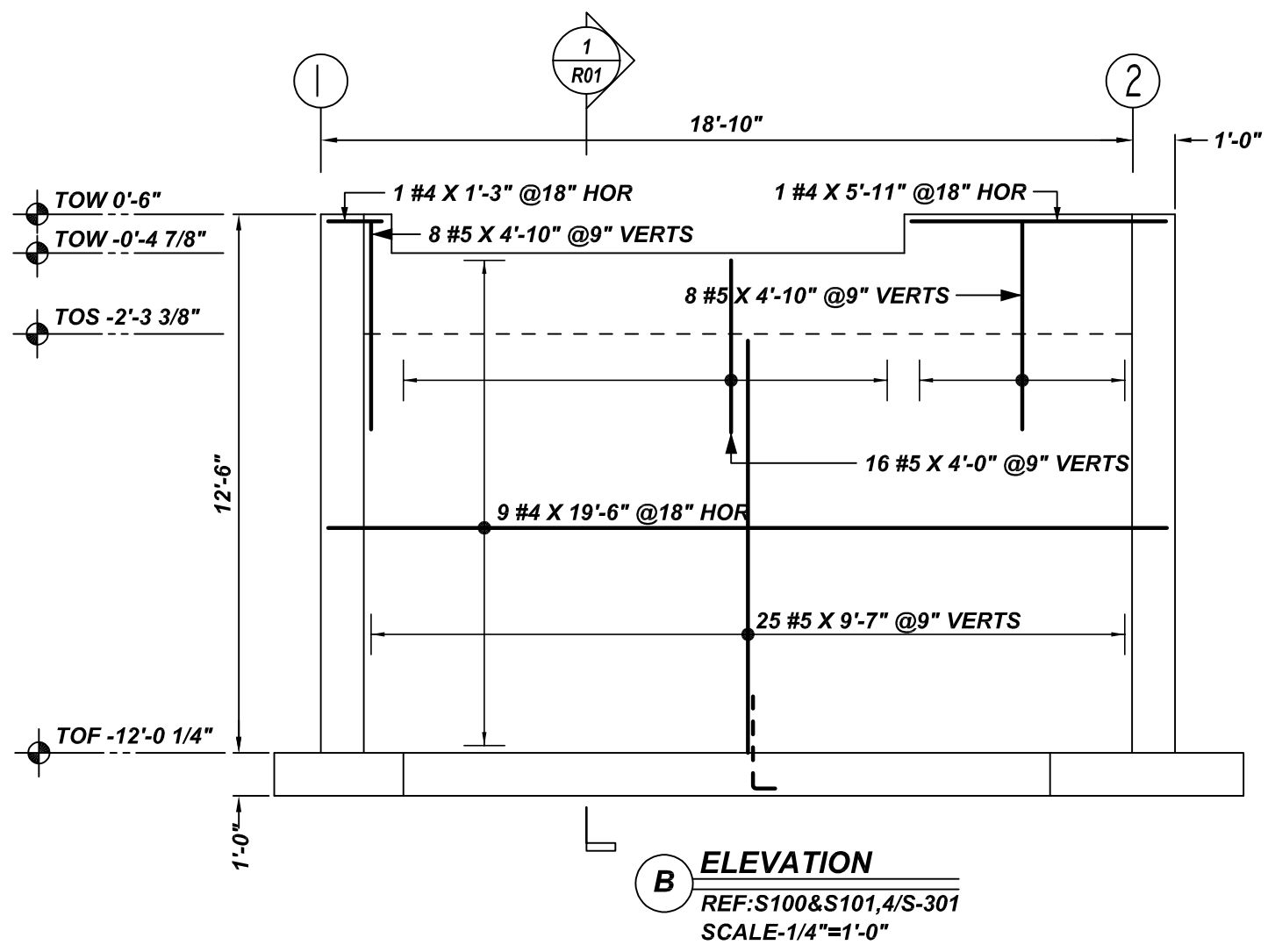
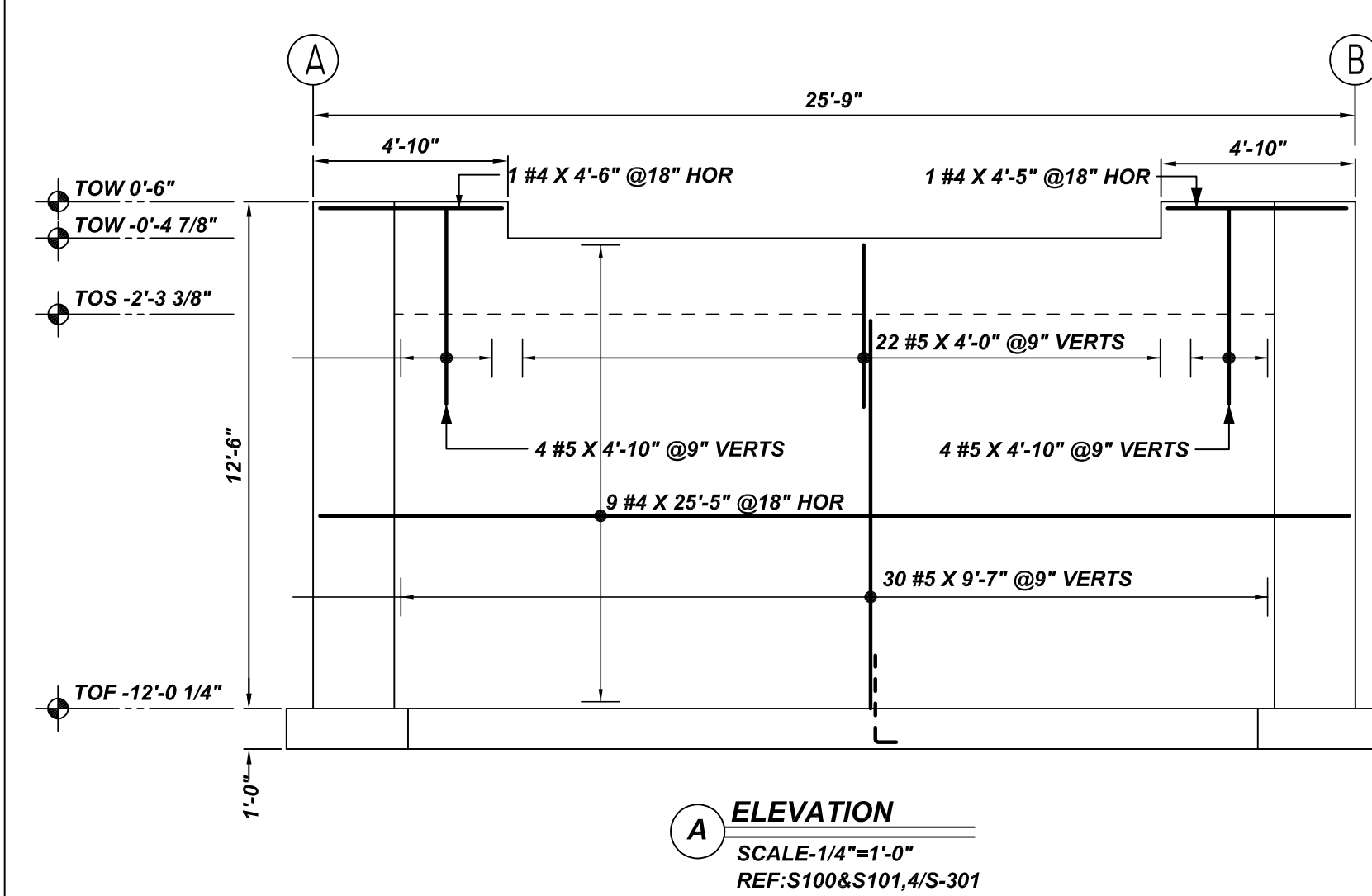
CUSTOMER: CROW HILL CONCRETE
 DESIGNER: ARTISAN ENGINEERS

0	06.29.21	APPROVAL				DRAWN BY	DATE	JOB NO	SHEET NO.
REV NO	DATE	SENT FOR	REV NO	DATE	SENT FOR	GOW / MET	06.29.21	M921P702	R03

NOTICE

SHORTAGES, IMPROPER FABRICATION OR CLAIMS FOR ANY OTHER REASON MUST BE REPORTED TO THIS COMPANY WITHIN 10 DAYS FROM ORIGINAL DELIVERY. THIS COMPANY ALSO RESERVES THE RIGHT TO FIELD INSPECT MATERIALS PRIOR TO REPLACEMENT OR RECONDITIONING OF MATERIALS AND WILL NOT BE LIABLE FOR CHARGES FROM WORK DONE IN THE FIELD WITHOUT PRIOR AUTHORIZATION FROM THIS COMPANY.

REINFORCING STEEL PLACING DRAWING ONLY. USE IN CONJUNCTION WITH CONTRACT DRAWINGS & SPECIFICATIONS. ELEVATIONS & DIMENSIONS SHOWN ON DRAWING ARE FOR DETAILING PURPOSES ONLY AND SHOULD NOT BE USED FOR CONSTRUCTION UNLESS VERIFIED BY ENGINEER OR CONTRACTOR.



Rebar Number: R04

Bar Mark	Qty	Size	Total Length	Type	X'	Y'	Z'	W'	V'	U'	T'	S'	R'	Q'	P'	O'	N'	M'	L'	K'	J'	I'	H'	G'	F'	E'	D'	C'	B'	A'
4A06	4	#4	2'-4"	2	0'-8"	1'-8"																								
4A07	8	#4	3'-11"	17	1'-8"	2'-3"																								

BENDING DETAILS

2 Hook G optional 17

REBAR GRADE 60 ASTM A-615

SPLICES USED

CLASS B 4,000 psi UNO

TOP BARS	OTHER BARS
#3 28"	#3 22"
#4 38"	#4 29"
#5 47"	#5 36"
#6 56"	#6 43"
#7 82"	#7 63"
#8 93"	#8 73"
#9 -	#9 -
#10 -	#10 -
#11 -	#11 -
#14 -	#14 -

ABBREVIATIONS		BAR MARK SIZE EQUIVALENT	
		Imperial	Soft Metric
ADD.	= Additional	#3	#10
B.O.W.	= Bottom of wall	#4	#13
C.B.	= Corner Bars	#5	#16
DIAG.	= Diagonal	#6	#19
D.O.	= Door Opening	#7	#22
DWLS.	= Dowels	#8	#25
E.F.	= Each Face	#9	#29
E.S.	= Each Side	#10	#32
E.W.	= Each Way	#11	#36
FTG.	= Footing		
F.F.	= Far Face		
HORIZ.	= Horizontal		
I.F.	= Inside Face		
INTERS.	= Intersection		
L.W.	= long Way		
N.F.	= Near Face		
O.F.	= Outside Face		
S.W.	= Short Way		
T&B	= Top & Bottom		
T.O.W.	= Top of Wall		
Trans.	= Transverse		
VERT.	= Vertical		

REV NO	DATE	APPROVAL	SENT FOR	REV NO	DATE	SENT FOR
0	06.29.21					

GREEN ACERS INITIATIVE
FOUNDATION WALL REINFORCEMENT DETAILS
RUPERT, VT

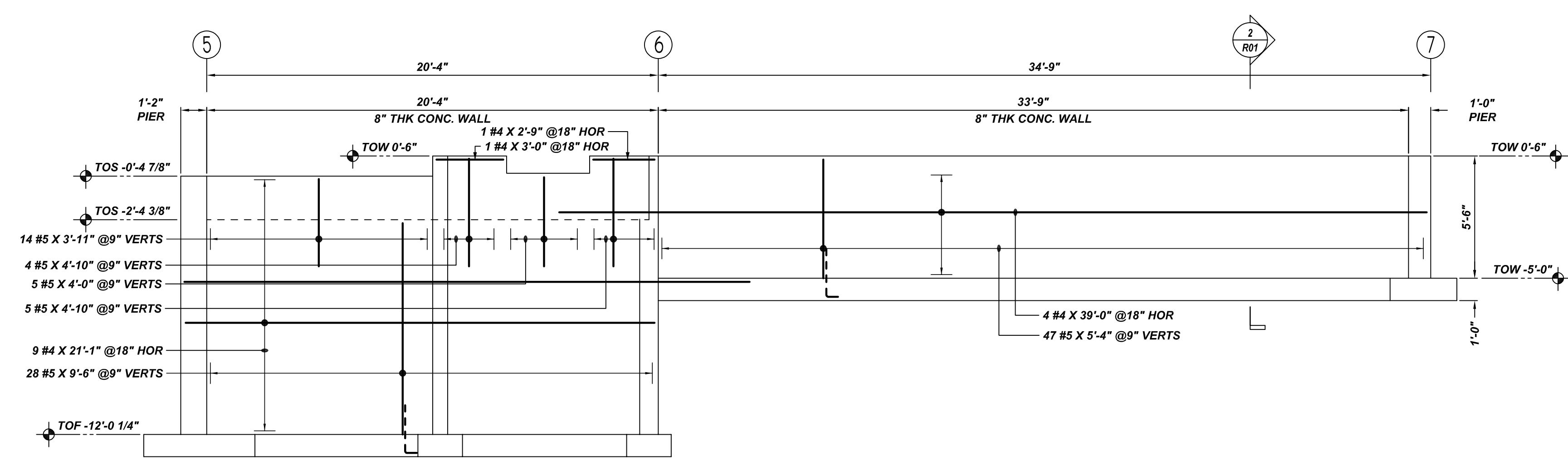
CUSTOMER: CROW HILL CONCRETE
DESIGNER: ARTISAN ENGINEERS

DRAWN BY	DATE	JOB NO	SHEET NO.
GOW / MET	06.29.21	M921P702	R04

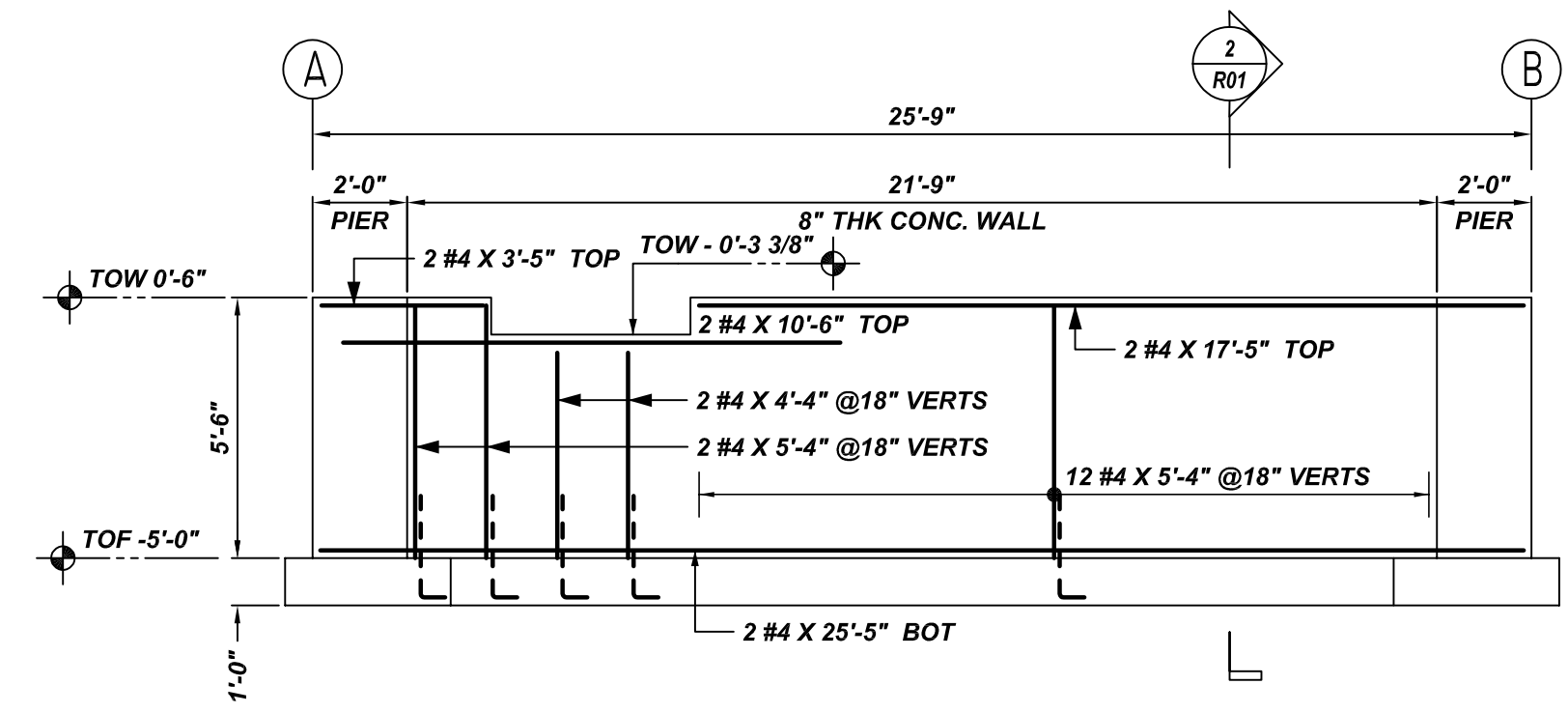
NOTICE

SHORTAGES, IMPROPER FABRICATION OR CLAIMS FOR ANY OTHER REASON MUST BE REPORTED TO THIS COMPANY WITHIN 10 DAYS FROM ORIGINAL DELIVERY. THIS COMPANY ALSO RESERVES THE RIGHT TO FIELD INSPECT MATERIALS PRIOR TO REPLACEMENT OR RECONDITIONING OF MATERIALS AND WILL NOT BE LIABLE FOR CHARGES FROM WORK DONE IN THE FIELD WITHOUT PRIOR AUTHORIZATION FROM THIS COMPANY.

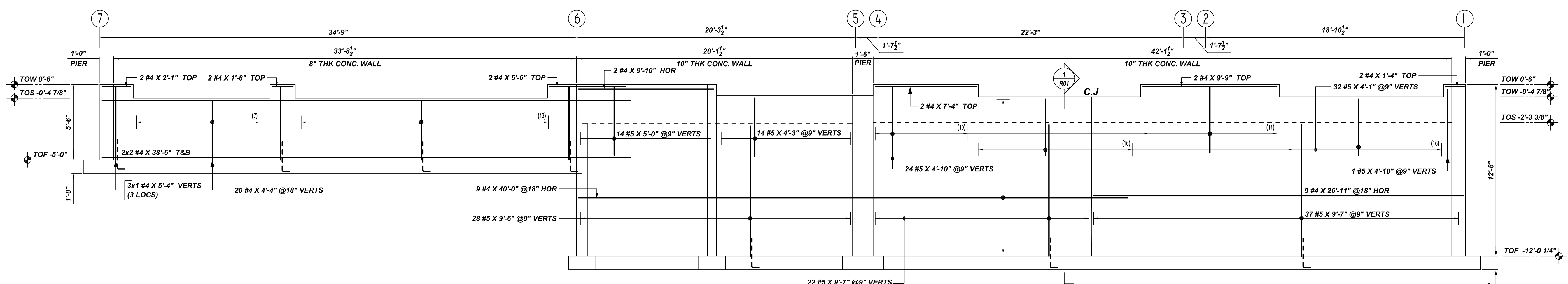
REINFORCING STEEL PLACING DRAWING ONLY. USE IN CONJUNCTION WITH CONTRACT DRAWINGS & SPECIFICATIONS. ELEVATIONS & DIMENSIONS SHOWN ON DRAWING ARE FOR DETAILING PURPOSES ONLY AND SHOULD NOT BE USED FOR CONSTRUCTION UNLESS VERIFIED BY ENGINEER OR CONTRACTOR.



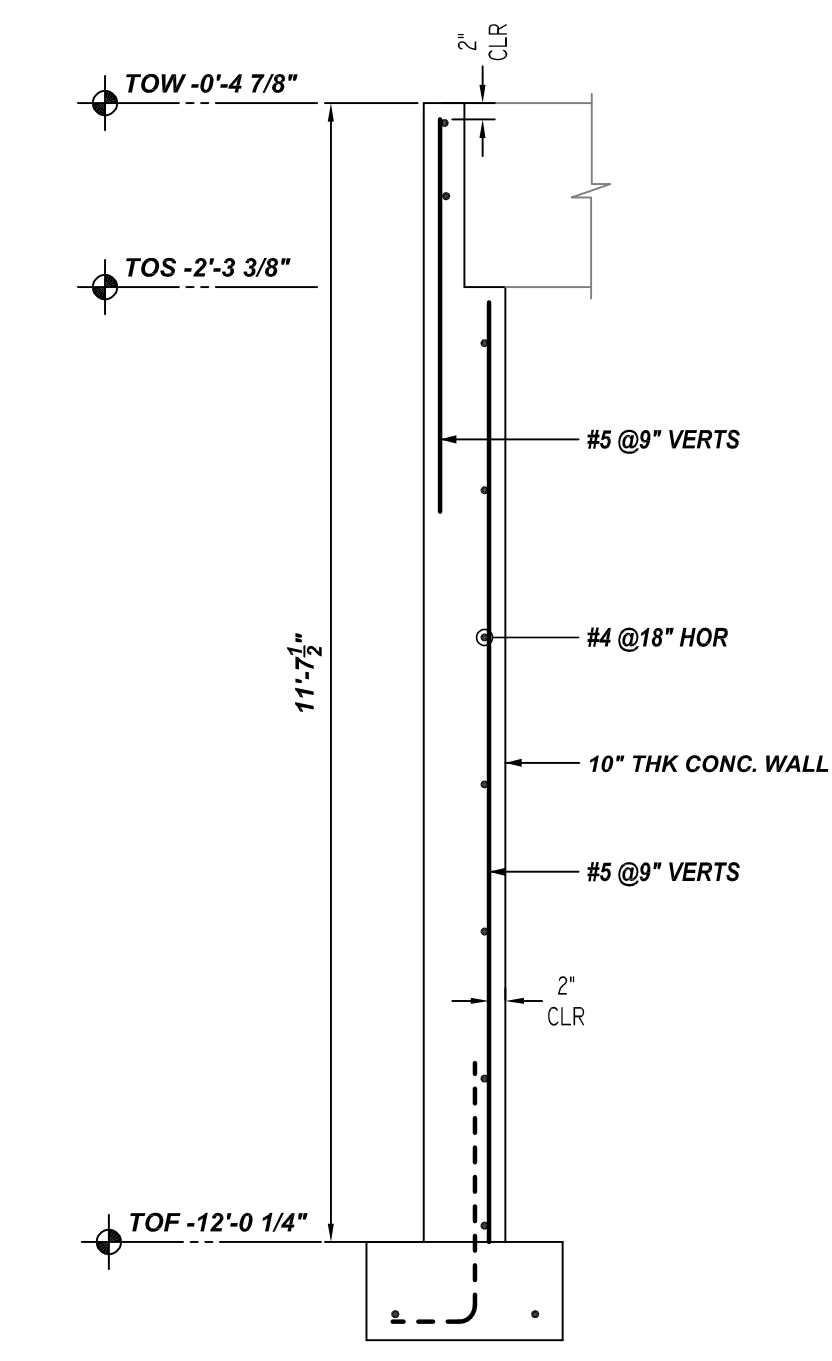
F ELEVATION
REF: S100&S101, 4/S-301
SCALE: 1/4"=1'-0"



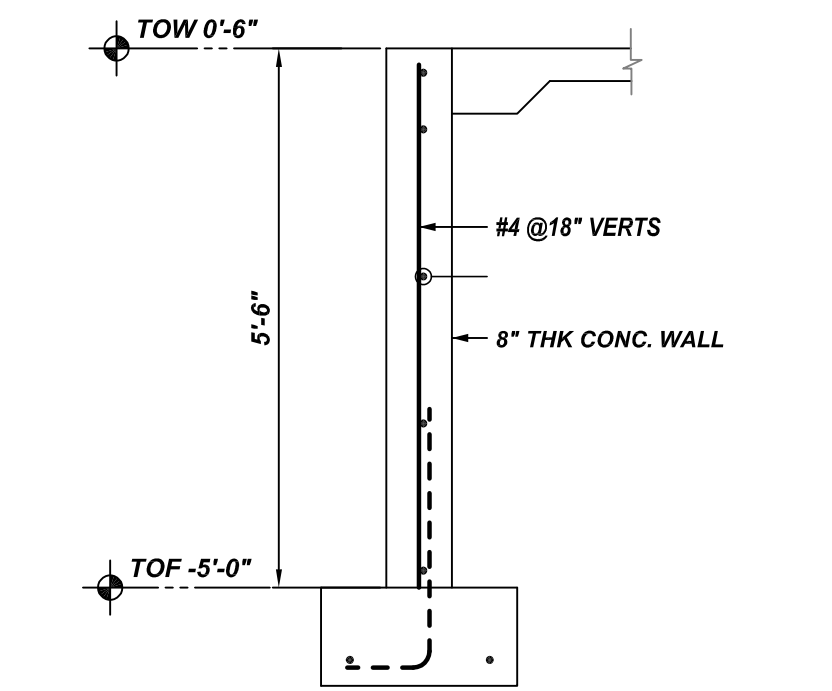
G ELEVATION
REF: S100&S101, 4/S-301
SCALE: 1/4"=1'-0"



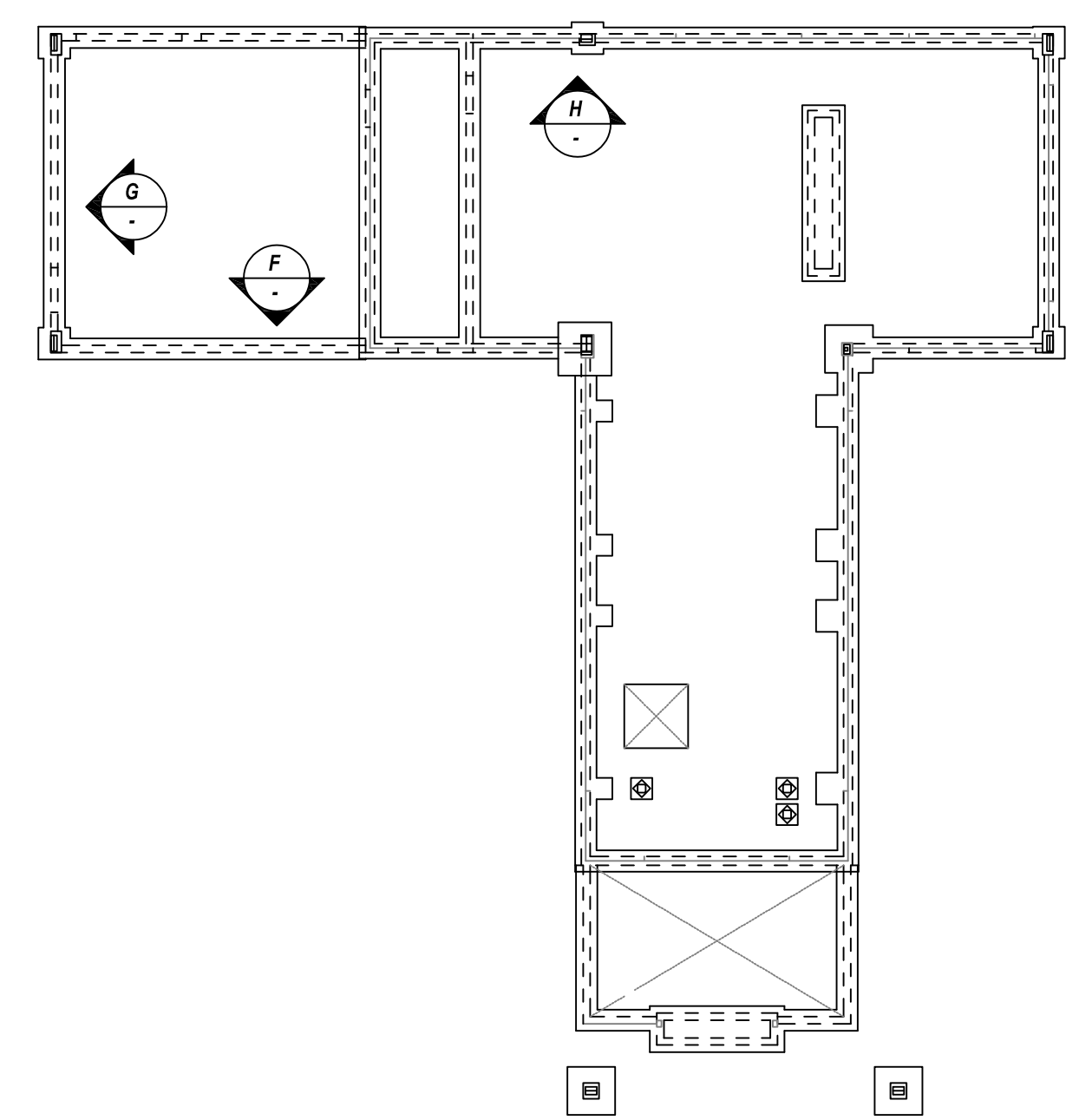
H ELEVATION
REF: S100&S101, 4/S-301
SCALE: 1/4"=1'-0"



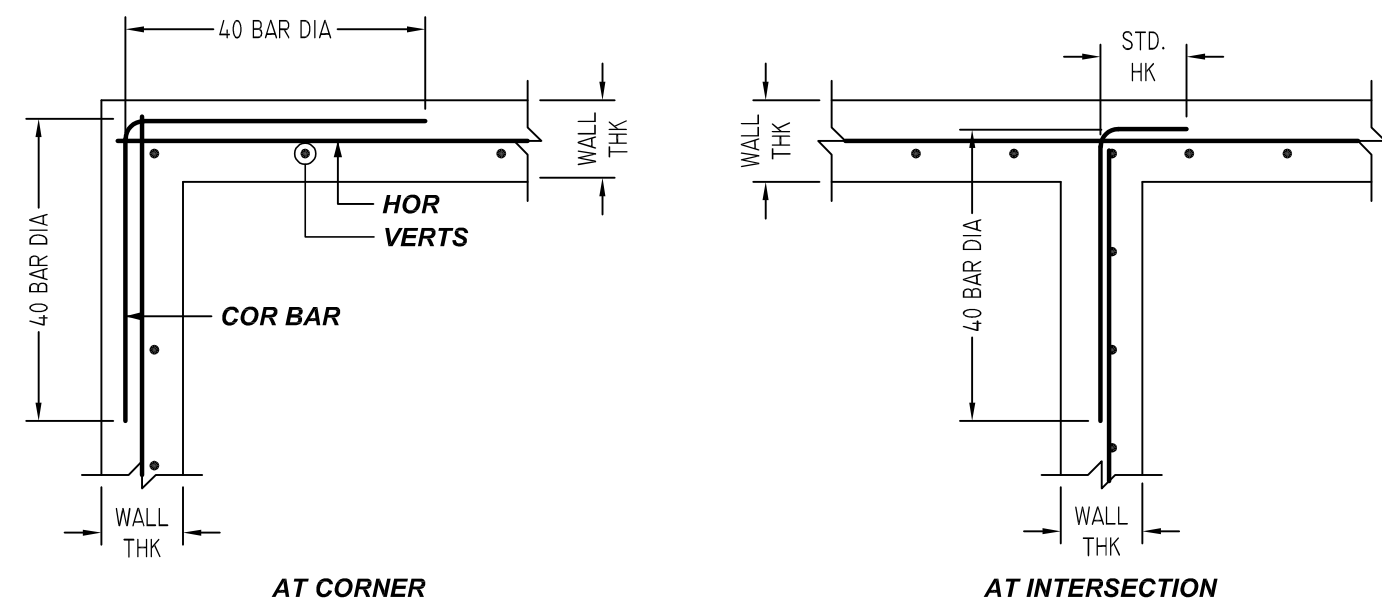
1 SECTION
REF: 4/S-301
SCALE: 1/2"=1'-0"



2 SECTION
REF: 10/S-301
SCALE: 1/2"=1'-0"



KEY PLAN
SCALE: N.T.S.
REF: S100&S101, 4/S-301



TYPICAL WALL CORNER AND INTERSECTION DETAILS
SCALE: 1/2"=1'-0"
SDR: 7/S-302

REBAR GRADE 60 ASTM A-615

SPLICES USED		ABBREVIATIONS		BAR MARK SIZE EQUIVALENT	
CLASS B 4,000 psi UNO				Imperial	Soft Metric
TOP BARS	OTHER BARS	ADD.	Additional	#3	#10
#3 28"	#3 22"	B.O.W.	Bottom of wall	#4	#13
#4 38"	#4 29"	C.B.	Corner Bars	#5	#16
#5 47"	#5 36"	DIAG.	Diagonal	#6	#19
#6 56"	#6 43"	D.O.	Door Opening	#7	#22
#7 82"	#7 63"	DWLS.	Dowels	#8	#25
#8 93"	#8 73"	E.F.	Each Face	#9	#29
#9 -	#9 -	E.S.	Each Side	#10	#32
#10 -	#10 -	E.W.	Each Way	#11	#36
#11 -	#11 -	FTG.	Footing		
#14 -	#14 -	F.F.	Far Face		
		HORIZ.	Horizontal		
		I.F.	Inside Face		
		INTERS.	Intersection		
		L.W.	Long Way		
		N.F.	Near Face		
		O.F.	Outside Face		
		S.W.	Short Way		
		T&B	Top & Bottom		
		T.O.W.	Top of Wall		
		Trans.	Transverse		
		VERT.	Vertical		

GREEN ACERS INITIATIVE
FOUNDATION WALL REINFORCEMENT DETAILS
RUPERT, VT

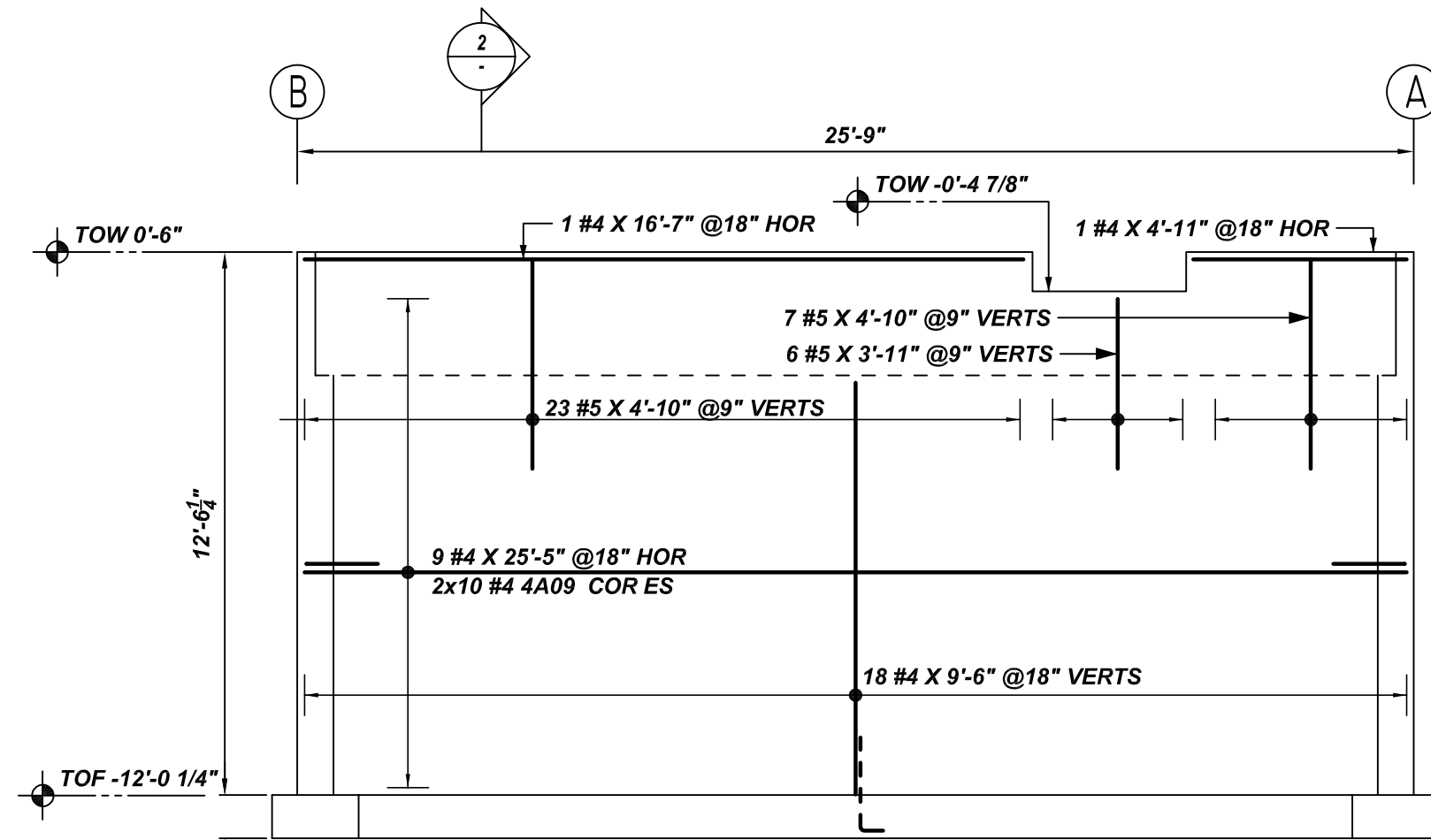
CUSTOMER: CROW HILL CONCRETE
DESIGNER: ARTISAN ENGINEERS

0	06.29.21	APPROVAL				DRAWN BY	DATE	JOB NO	SHEET NO.
REV NO	DATE	SENT FOR	REV NO	DATE	SENT FOR	GOW / MET	06.29.21	M921P702	R05

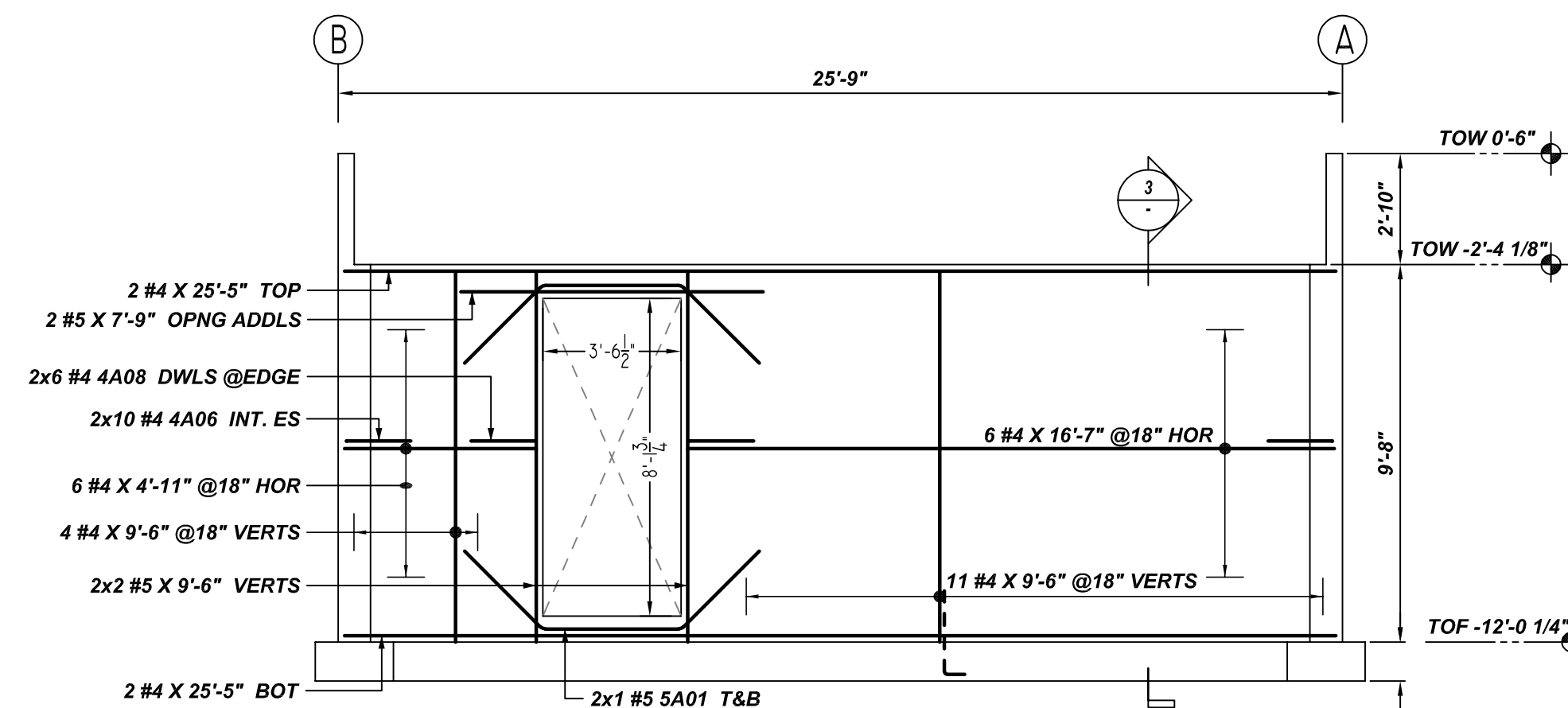
NOTICE

SHORTAGES, IMPROPER FABRICATION OR CLAIMS FOR ANY OTHER REASON MUST BE REPORTED TO THIS COMPANY WITHIN 10 DAYS FROM ORIGINAL DELIVERY. THIS COMPANY ALSO RESERVES THE RIGHT TO FIELD INSPECT MATERIALS PRIOR TO REPLACEMENT OR RECONDITIONING OF MATERIALS AND WILL NOT BE LIABLE FOR CHARGES FROM WORK DONE IN THE FIELD WITHOUT PRIOR AUTHORIZATION FROM THIS COMPANY.

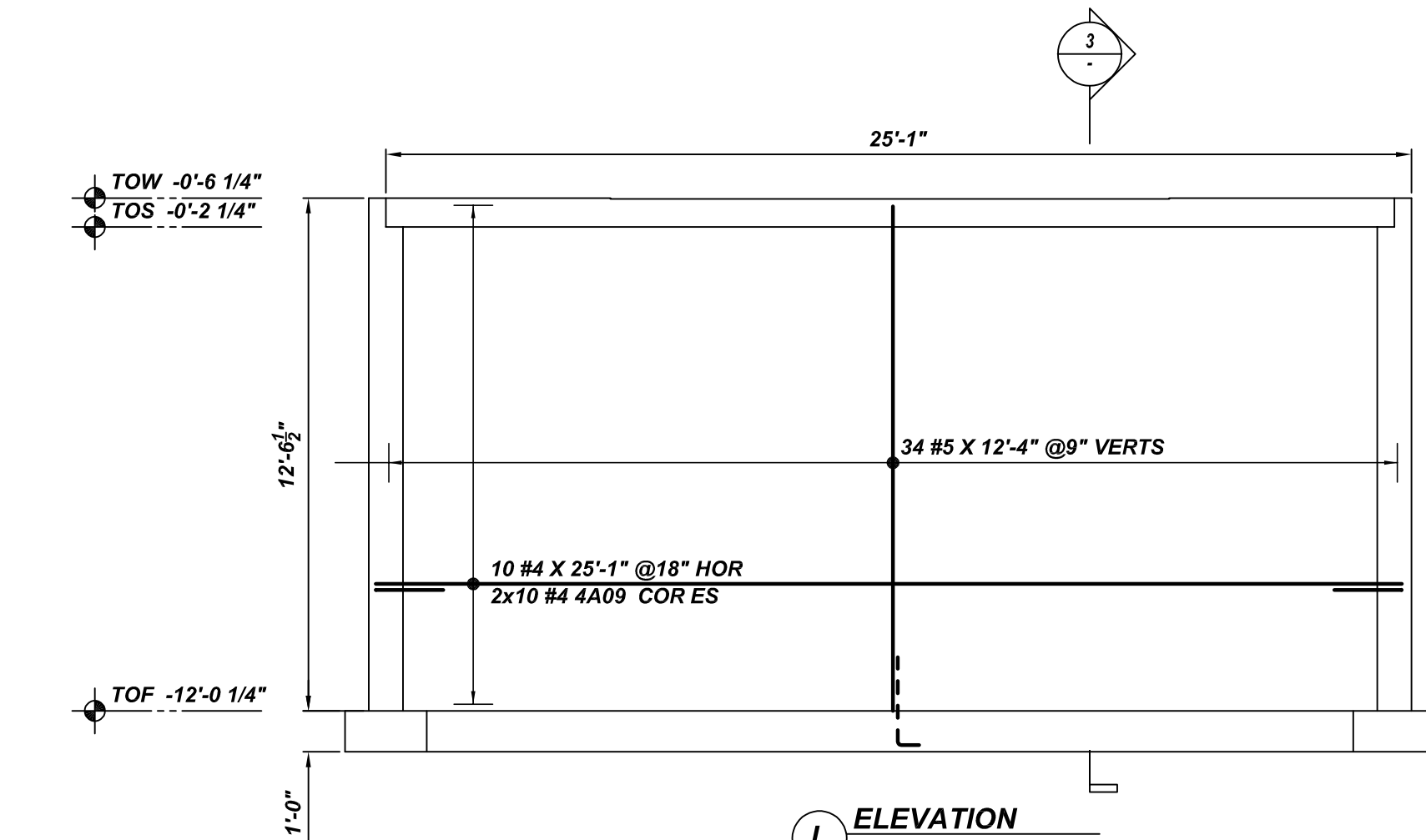
REINFORCING STEEL PLACING DRAWING ONLY. USE IN CONJUNCTION WITH CONTRACT DRAWINGS & SPECIFICATIONS. ELEVATIONS & DIMENSIONS SHOWN ON DRAWING ARE FOR DETAILING PURPOSES ONLY AND SHOULD NOT BE USED FOR CONSTRUCTION UNLESS VERIFIED BY ENGINEER OR CONTRACTOR.



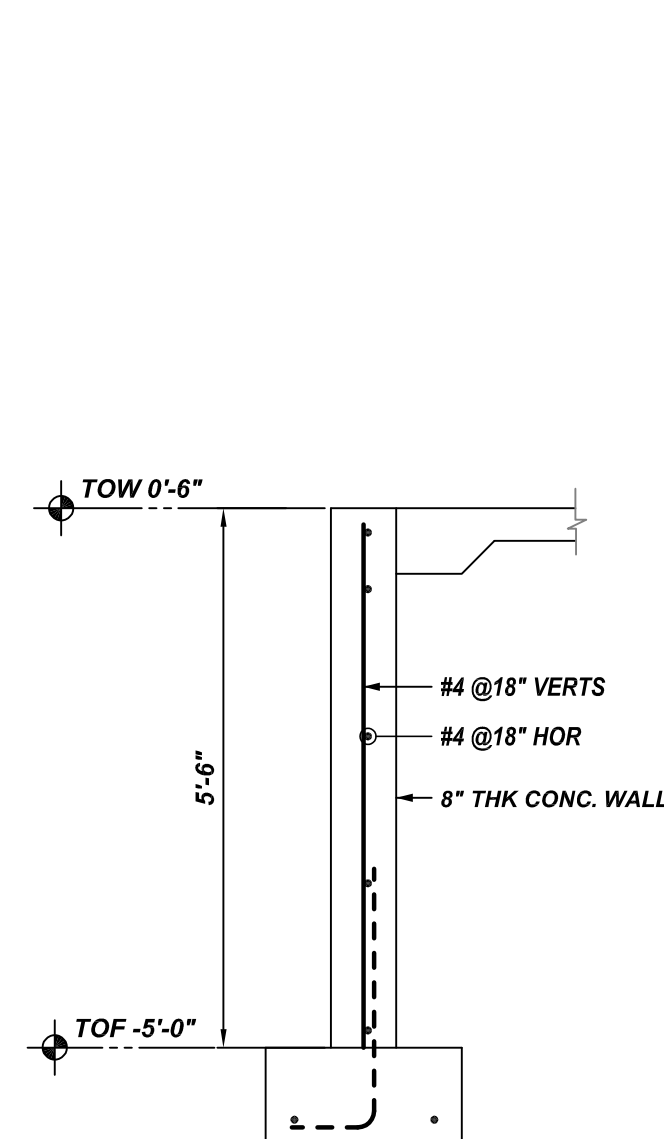
J ELEVATION
REF: S100&S101,4/S-301
SCALE: 1/4"=1'-0"



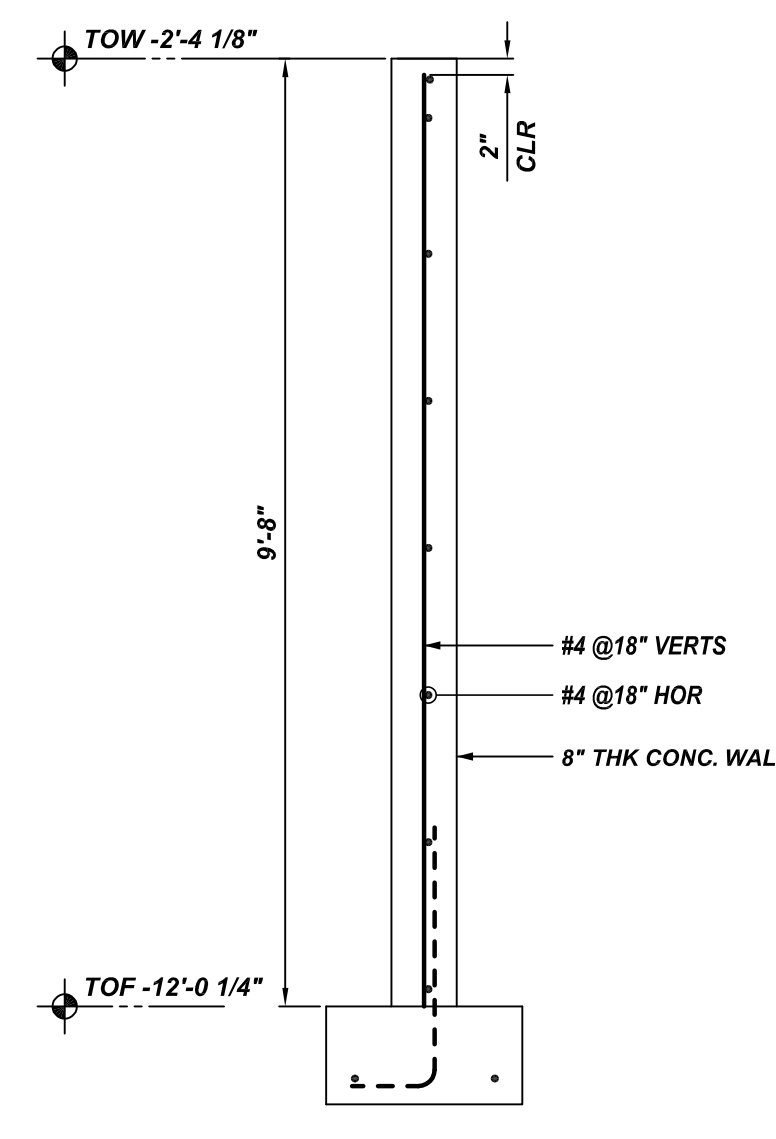
K ELEVATION
REF: S100&S101,4/S-301
SCALE: 1/4"=1'-0"



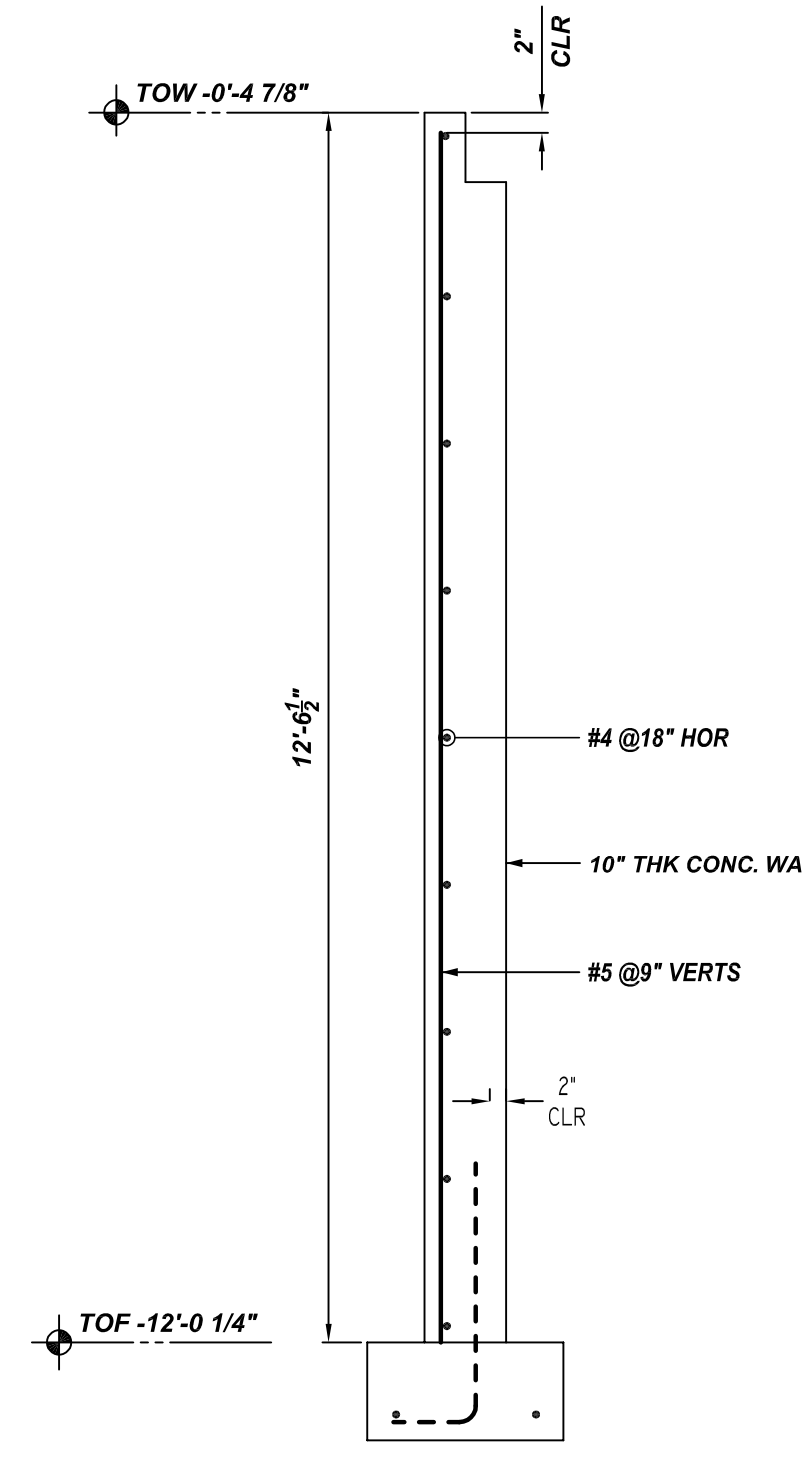
L ELEVATION
REF: S100&S101,4/S-301
SCALE: 1/4"=1'-0"



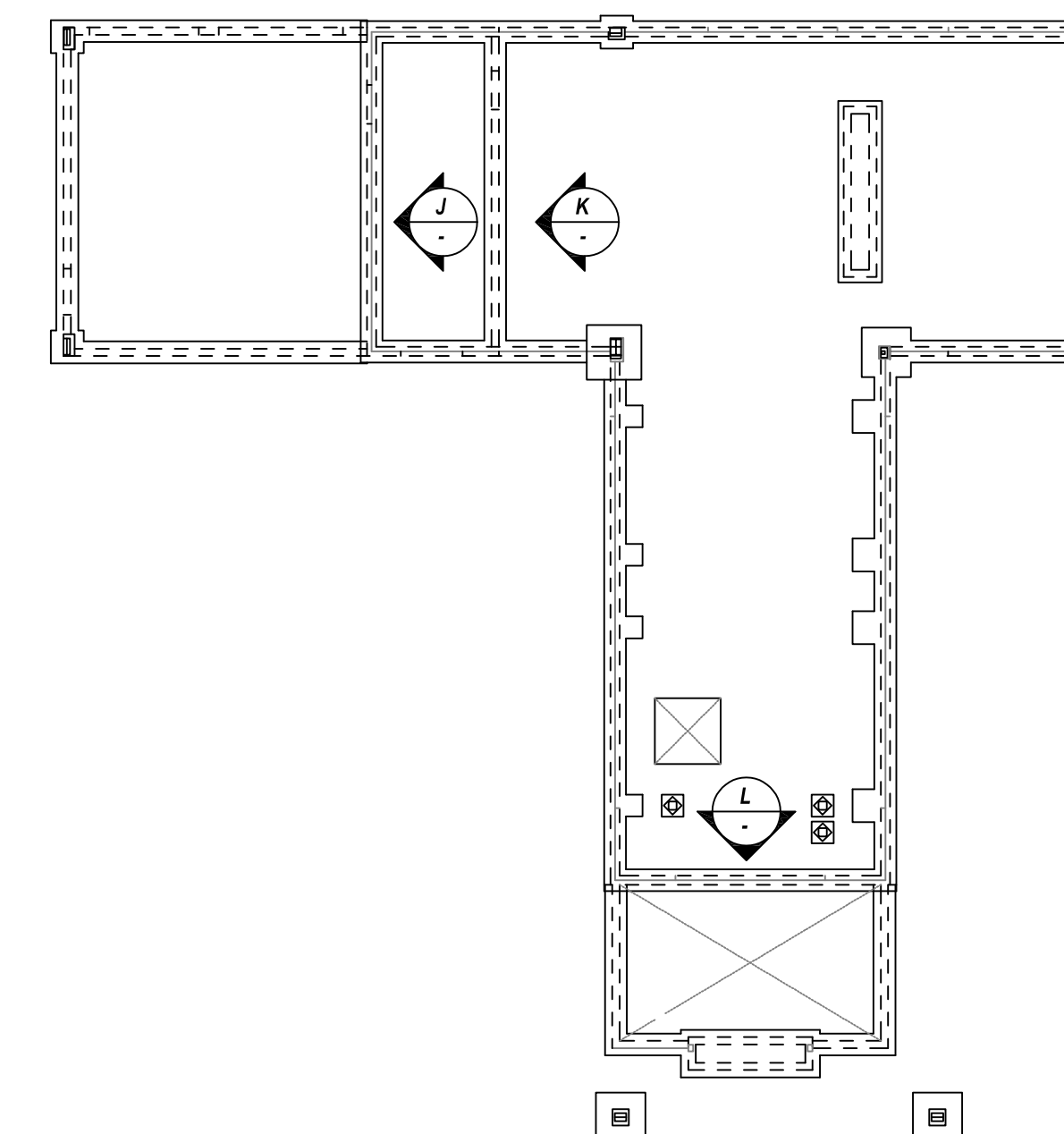
2 SECTION
REF: 10/S-301
SCALE: 1/2"=1'-0"



3 SECTION
REF: 10/S-301
SCALE: 1/2"=1'-0"

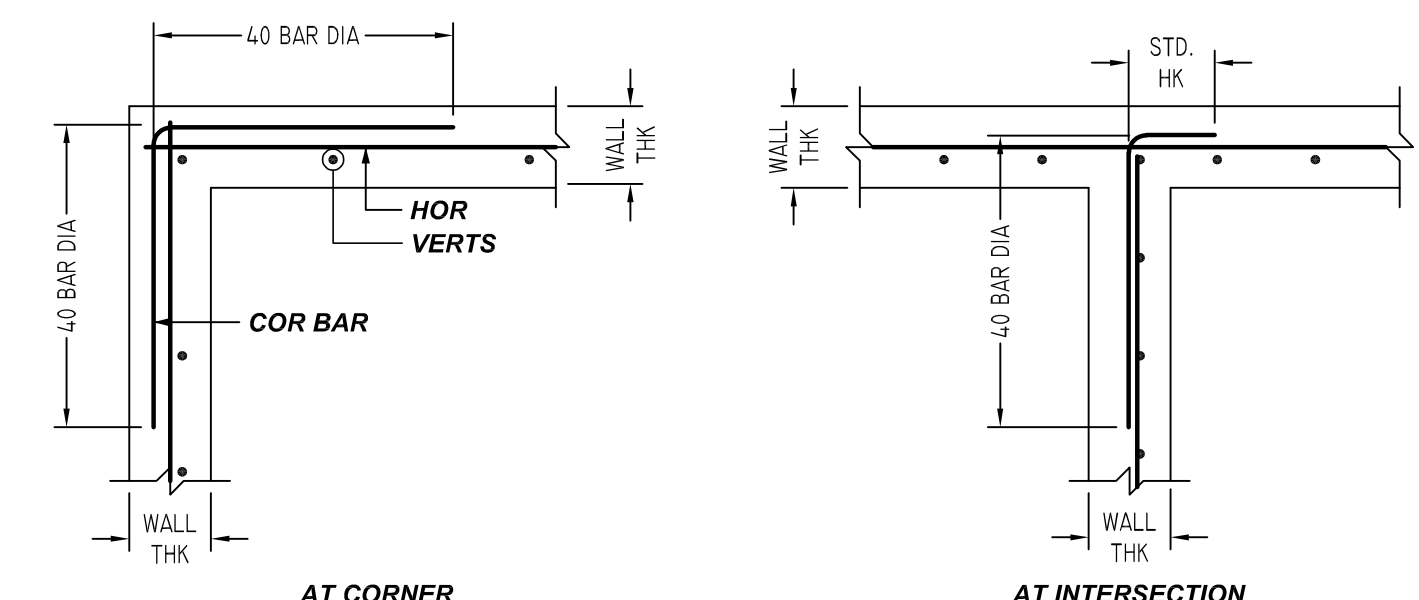
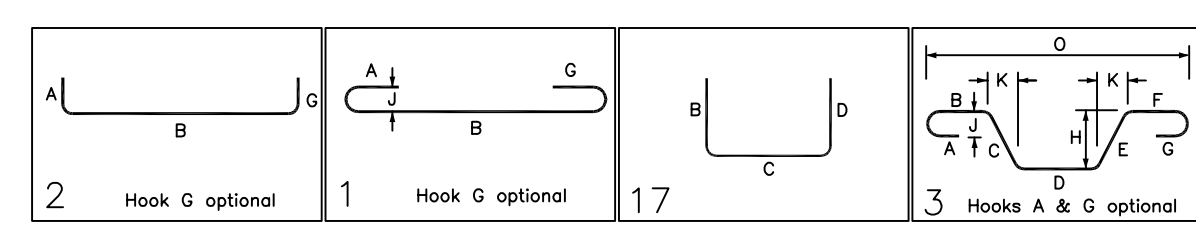


4 SECTION
REF: 4/S-301
SCALE: 1/2"=1'-0"



KEY PLAN
SCALE: N.T.S.
REF: S100&S101,4/S-301

Bar Mark	Qty	Size	Total Length	Type	X	Y	Z	W	V	U	T	S	R	Q	P	O	N	M	L	K	J	I	H	G	F	E	D	C	B	A
4A06	20	#4	2'-4"	2	0'-8"	1'-8"																								
4A08	12	#4	2'-2"	1	0'-8"	1'-8"																								
4A09	40	#4	3'-4"	17	1'-8"	1'-8"																								
5A01	2	#5	9'-2 1/2"	3	2'-9 1/2"	3'-7"	2'-9 1/2"																							



TYPICAL WALL CORNER AND INTERSECTION DETAILS
SCALE: 1/2"=1'-0"
SDR: 7/S-302

REBAR GRADE 60 ASTM A-615

SPLICES USED		ABBREVIATIONS		BAR MARK SIZE EQUIVALENT	
CLASS B 4,000 psi UNO		ADD. = Additional	B.O.W. = Bottom of wall	Imperial	Soft Metric
TOP BARS	OTHER BARS	C.B. = Corner Bars	DIAG. = Diagonal	#3	#10
#3 28"	#3 22"	D.O. = Door Opening	D.W.L.S. = Dowels	#4	#13
#4 38"	#4 29"	E.F. = Each Face	E.S. = Each Side	#5	#16
#5 47"	#5 36"	E.W. = Each Way	FTG. = Footing	#6	#19
#6 56"	#6 43"	F.F. = Far Face	HORIZ. = Horizontal	#7	#22
#7 82"	#7 63"	I.F. = Inside Face	INTERS. = Intersection	#8	#25
#8 93"	#8 73"	L.W. = long Way	N.F. = Near Face	#9	#29
#9 -	#9 -	O.F. = Outside Face	S.W. = Short Way	#10	#32
#10 -	#10 -	T&B = Top & Bottom	T.O.W. = Top of Wall	#11	#36
#11 -	#11 -	Trans. = Transverse	VERT. = Vertical		
#14 -	#14 -				

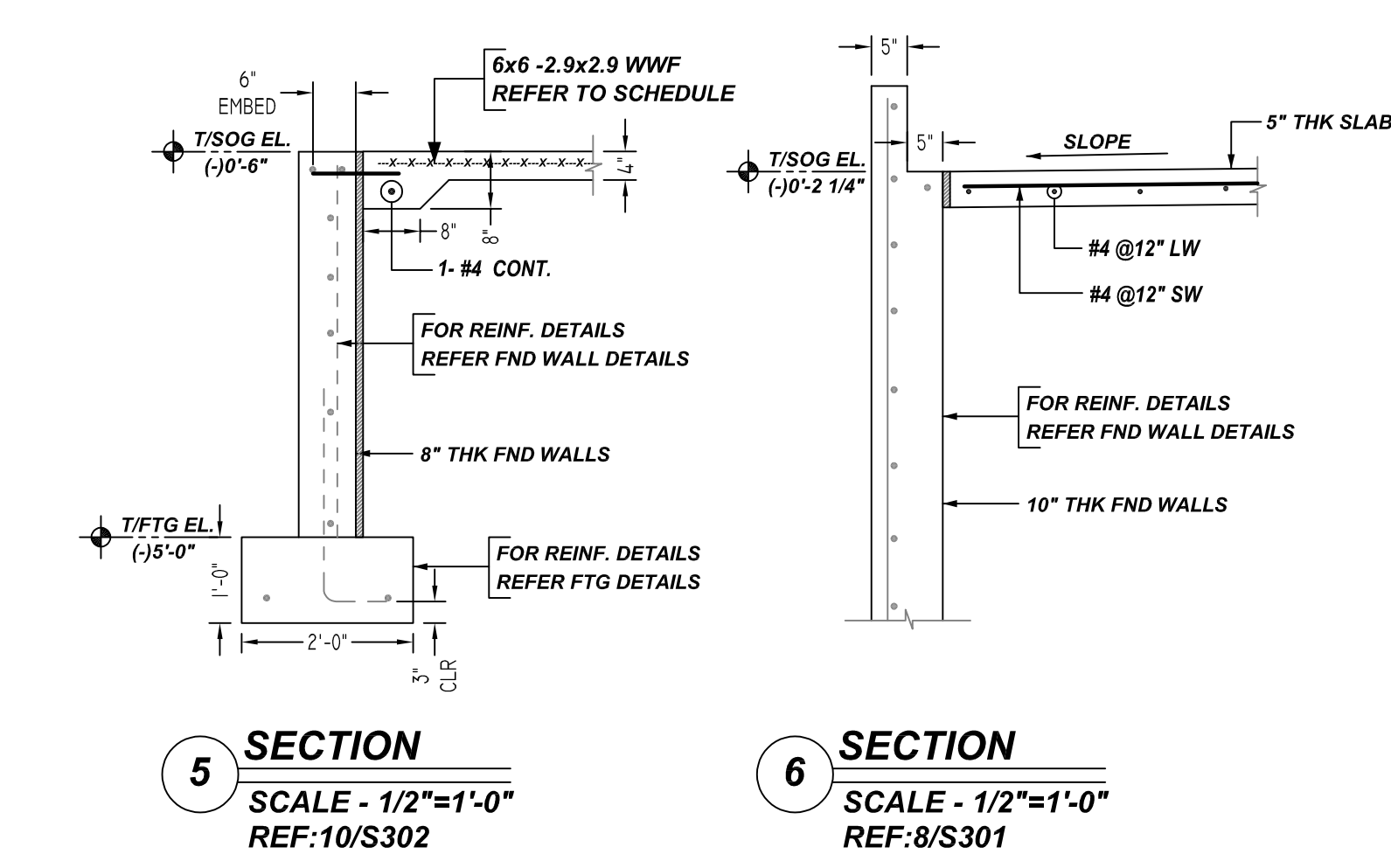
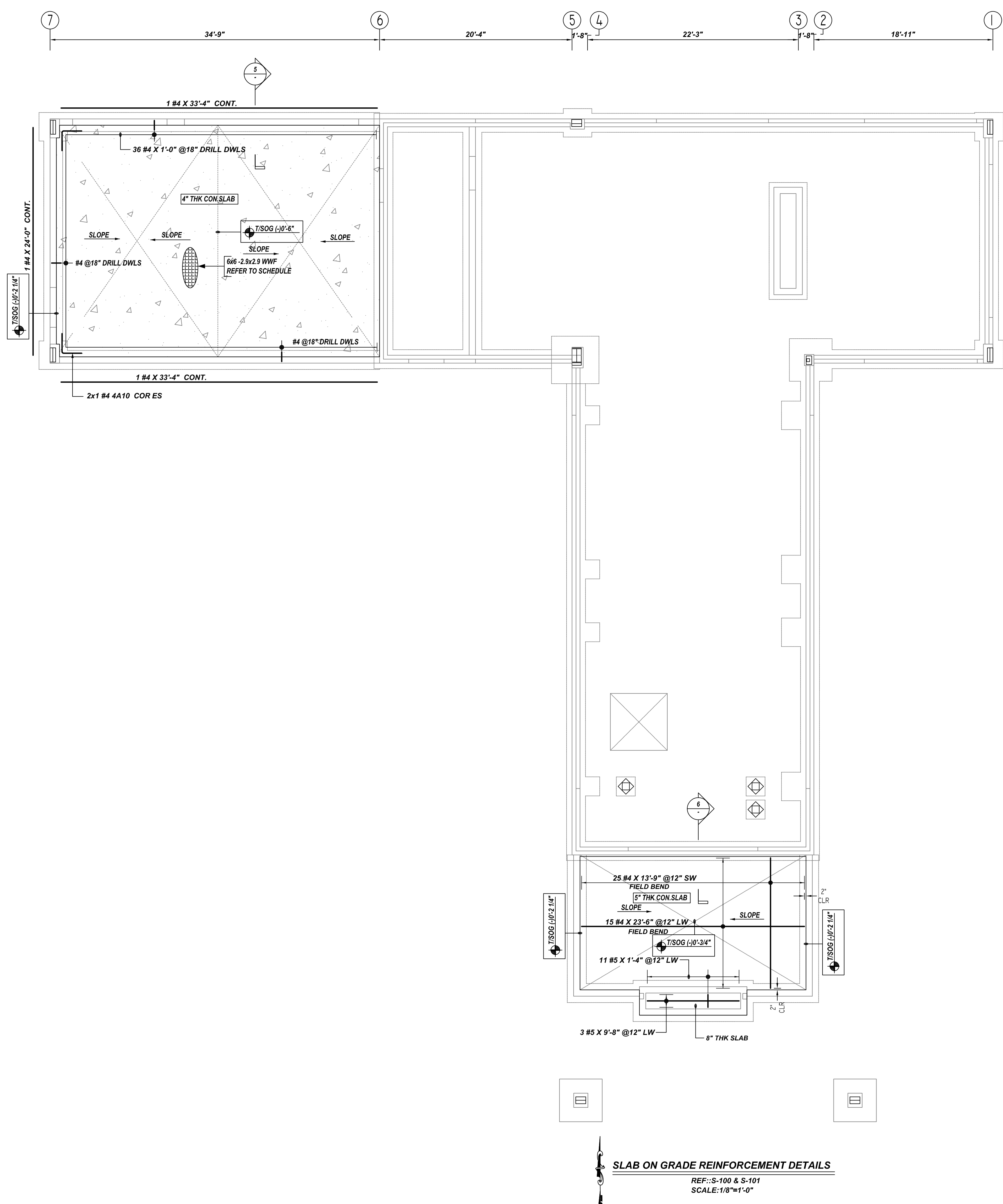
GREEN ACERS INITIATIVE
FOUNDATION WALL REINFORCEMENT DETAILS
RUPERT, VT

CUSTOMER: CROW HILL CONCRETE
DESIGNER: ARTISAN ENGINEERS

REV NO	DATE	SENT FOR	REV NO	DATE	SENT FOR	DRAWN BY	DATE	JOB NO	SHEET NO.
0	06.29.21	APPROVAL				GOW / MET	06.29.21	M921P702	R05

NOTICE
 SHORTAGES, IMPROPER FABRICATION OR CLAIMS FOR ANY OTHER REASON MUST BE REPORTED TO THIS COMPANY WITHIN 10 DAYS FROM ORIGINAL DELIVERY. THIS COMPANY ALSO RESERVES THE RIGHT TO FIELD INSPECT MATERIALS PRIOR TO REPLACEMENT OR RECONDITIONING OF MATERIALS AND WILL NOT BE LIABLE FOR CHARGES FROM WORK DONE IN THE FIELD WITHOUT PRIOR AUTHORIZATION FROM THIS COMPANY.

REINFORCING STEEL PLACING DRAWING ONLY. USE IN CONJUNCTION WITH CONTRACT DRAWINGS & SPECIFICATIONS. ELEVATIONS & DIMENSIONS SHOWN ON DRAWING ARE FOR DETAILING PURPOSES ONLY AND SHOULD NOT BE USED FOR CONSTRUCTION UNLESS VERIFIED BY ENGINEER OR CONTRACTOR.



MESH DETAILS				
ELEMENT	MESH SIZE	SHEETS	AREA	REMARK
4" THK SLAB ON GRADE	6x6-2.9x2.9 WWF	07	830 SQ. FT.	8'-0" X 20'-0" SHEET SIZE (15% LAP ADDED)

BENDING DETAILS									
Bar Mark	Qty	Size	Total Length	Type	X	Y	Z	V	W
4A10	2	#4	4'-2"	17			2'-1"	2'-1"	

REBAR GRADE 60 ASTM A-615			
SPLICES USED		ABBREVIATIONS	
CLASS B 4,000 psi UNO		ADD. = Additional	BAR MARK SIZE EQUIVALENT
TOP BARS	OTHER BARS	B.O.W. = Bottom of wall	Imperial
#3 28"	#3 22"	C.B. = Corner Bars	Soft Metric
#4 38"	#4 29"	DIAG. = Diagonal	#3 #10
#5 47"	#5 36"	D.O. = Door Opening	#4 #13
#6 56"	#6 43"	DWLS. = Dowels	#5 #16
#7 82"	#7 63"	E.F. = Each Face	#6 #19
#8 93"	#8 73"	E.S. = Each Side	#7 #22
#9 -	#9 -	E.W. = Each Way	#8 #25
#10 -	#10 -	FTG. = Footing	#9 #29
#11 -	#11 -	F.F. = Far Face	#10 #32
#14 -	#14 -	HORIZ. = Horizontal	#11 #36
		I.F. = Inside Face	
		INTERS. = Intersection	
		L.W. = long Way	
		N.F. = Near Face	
		O.F. = Outside Face	
		S.W. = Short Way	
		T&B = Top & Bottom	
		T.O.W. = Top of Wall	
		Trans. = Transverse	
		VERT. = Vertical	

GREEN ACERS INITIATIVE
 SLAB ON GRADE REINFORCEMENT DETAILS
 RUPERT, VT

CUSTOMER: CROW HILL CONCRETE
 DESIGNER: ARTISAN ENGINEERS

REV NO	DATE	SENT FOR	REV NO	DATE	SENT FOR
0	06.29.21	APPROVAL			

DRAWN BY	DATE	JOB NO	SHEET NO.
GOW / MET	06.29.21	M921P702	R07