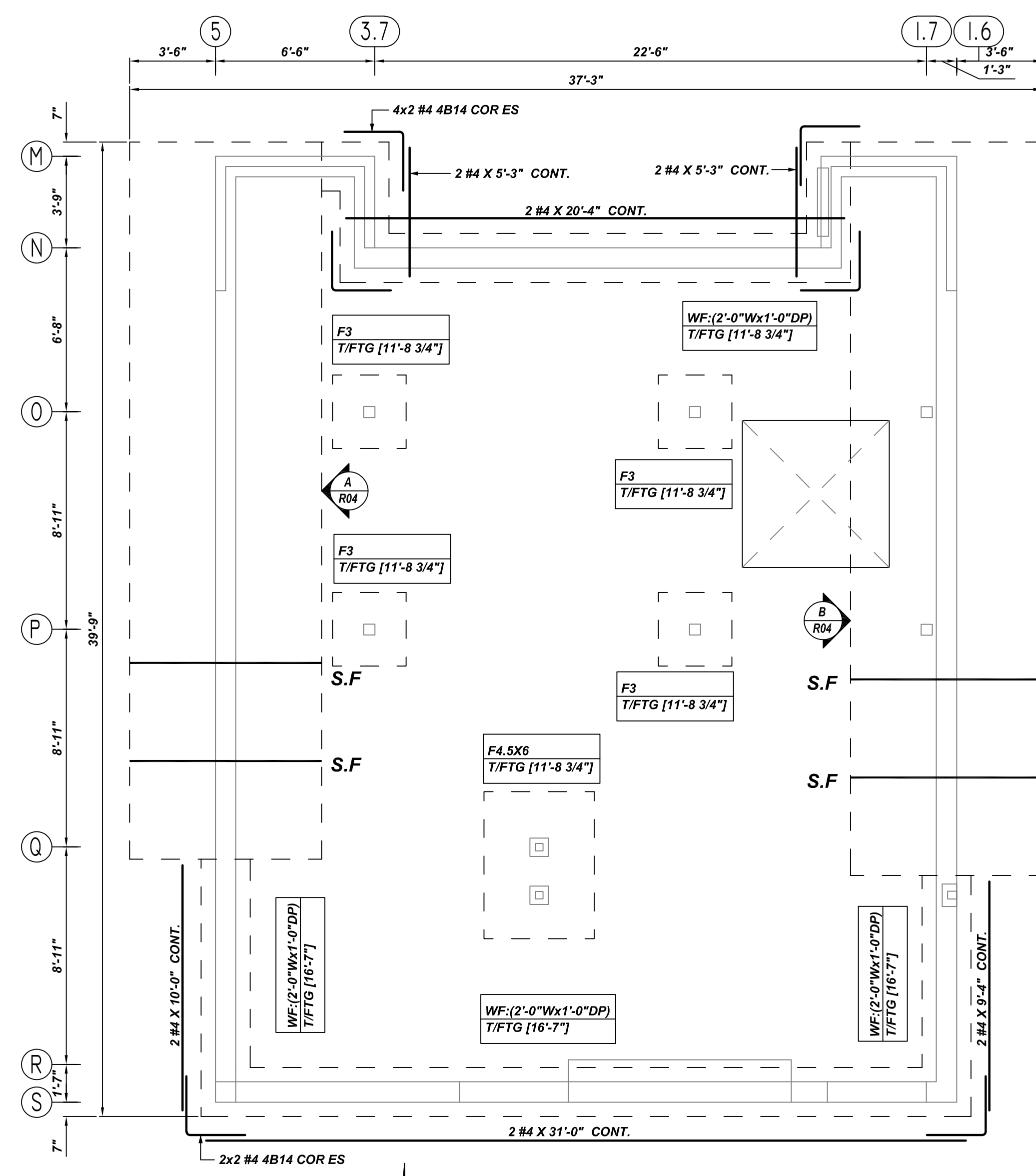


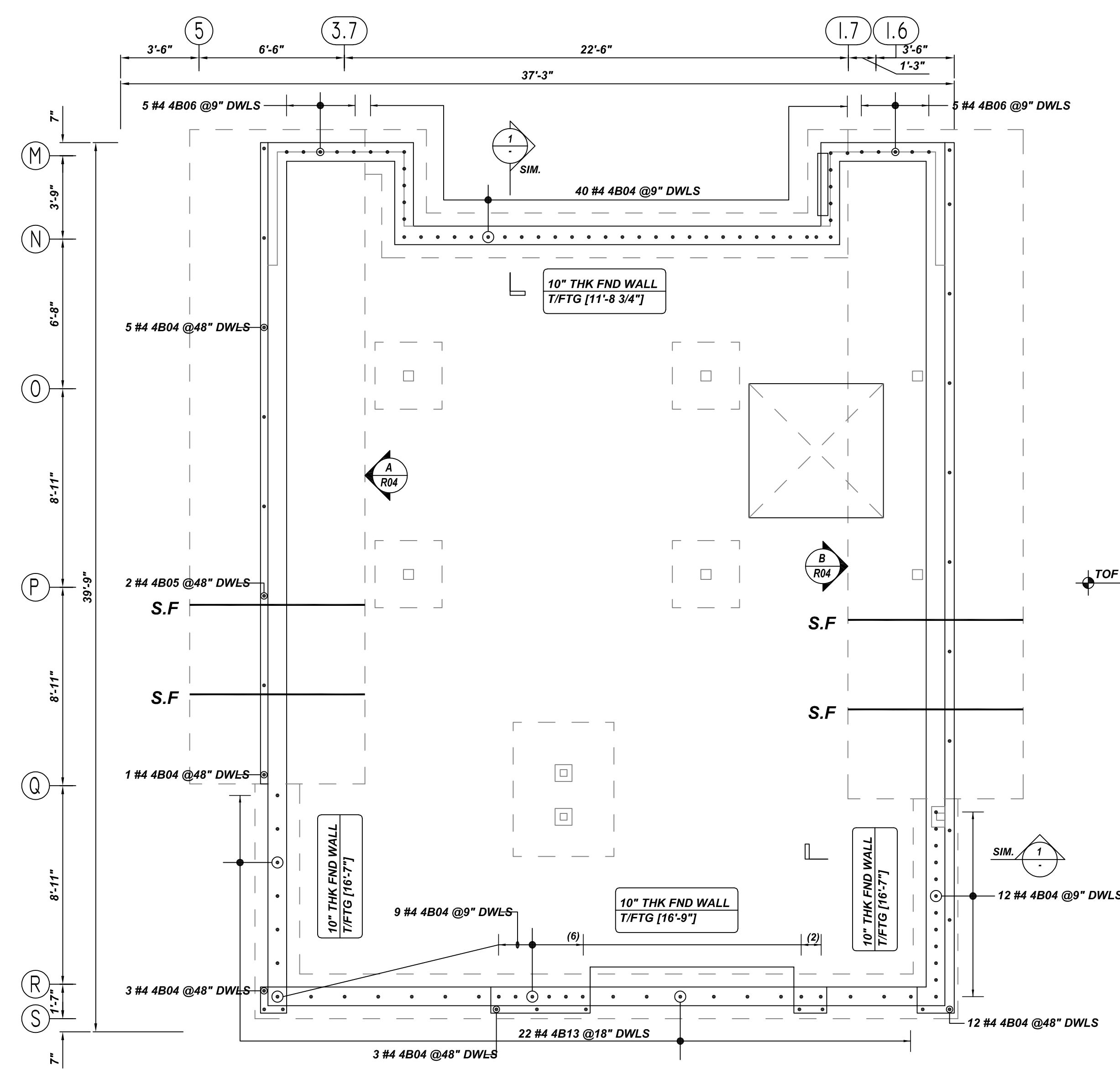
**NOTICE**

SHORTAGES, IMPROPER FABRICATION OR CLAIMS FOR ANY OTHER REASON MUST BE REPORTED TO THIS COMPANY WITHIN 10 DAYS FROM ORIGINAL DELIVERY. THIS COMPANY ALSO RESERVES THE RIGHT TO FIELD INSPECT MATERIALS PRIOR TO REPLACEMENT OR RECONDITIONING OF MATERIALS AND WILL NOT BE LIABLE FOR CHARGES FROM WORK DONE IN THE FIELD WITHOUT PRIOR AUTHORIZATION FROM THIS COMPANY.

REINFORCING STEEL PLACING DRAWING ONLY. USE IN CONJUNCTION WITH CONTRACT DRAWINGS & SPECIFICATIONS. ELEVATIONS & DIMENSIONS SHOWN ON DRAWING ARE FOR DETAILING PURPOSES ONLY AND SHOULD NOT BE USED FOR CONSTRUCTION UNLESS VERIFIED BY ENGINEER OR CONTRACTOR.

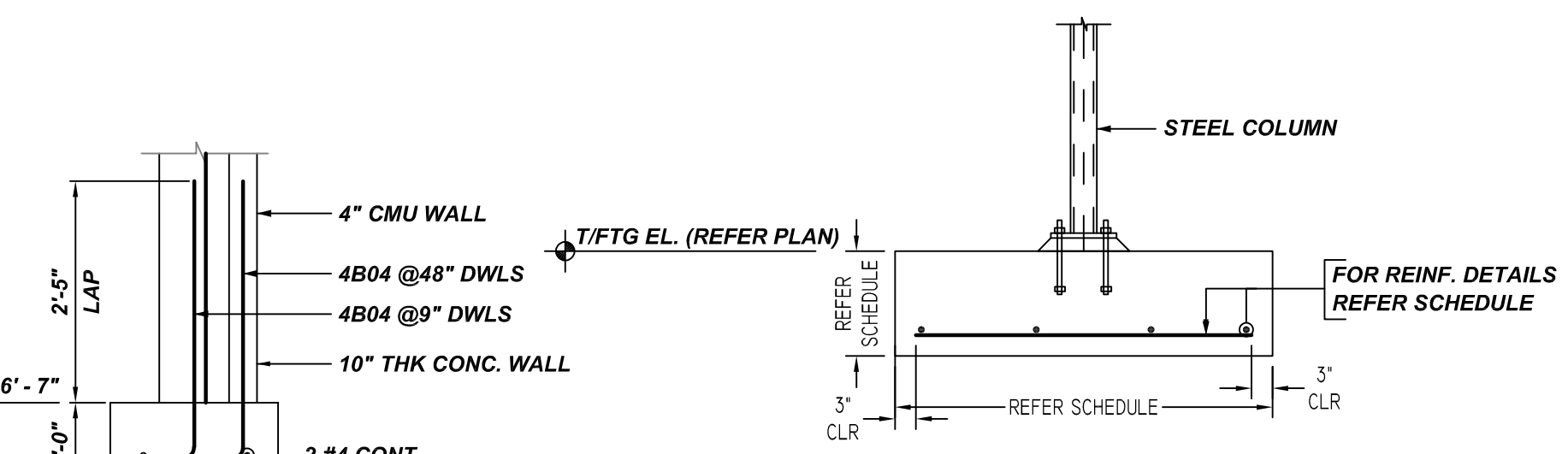


**FOOTING AND DOWEL REINFORCEMENT DETAILS**  
REF: S-100 & S-101  
SCALE: 1/4"=1'-0"



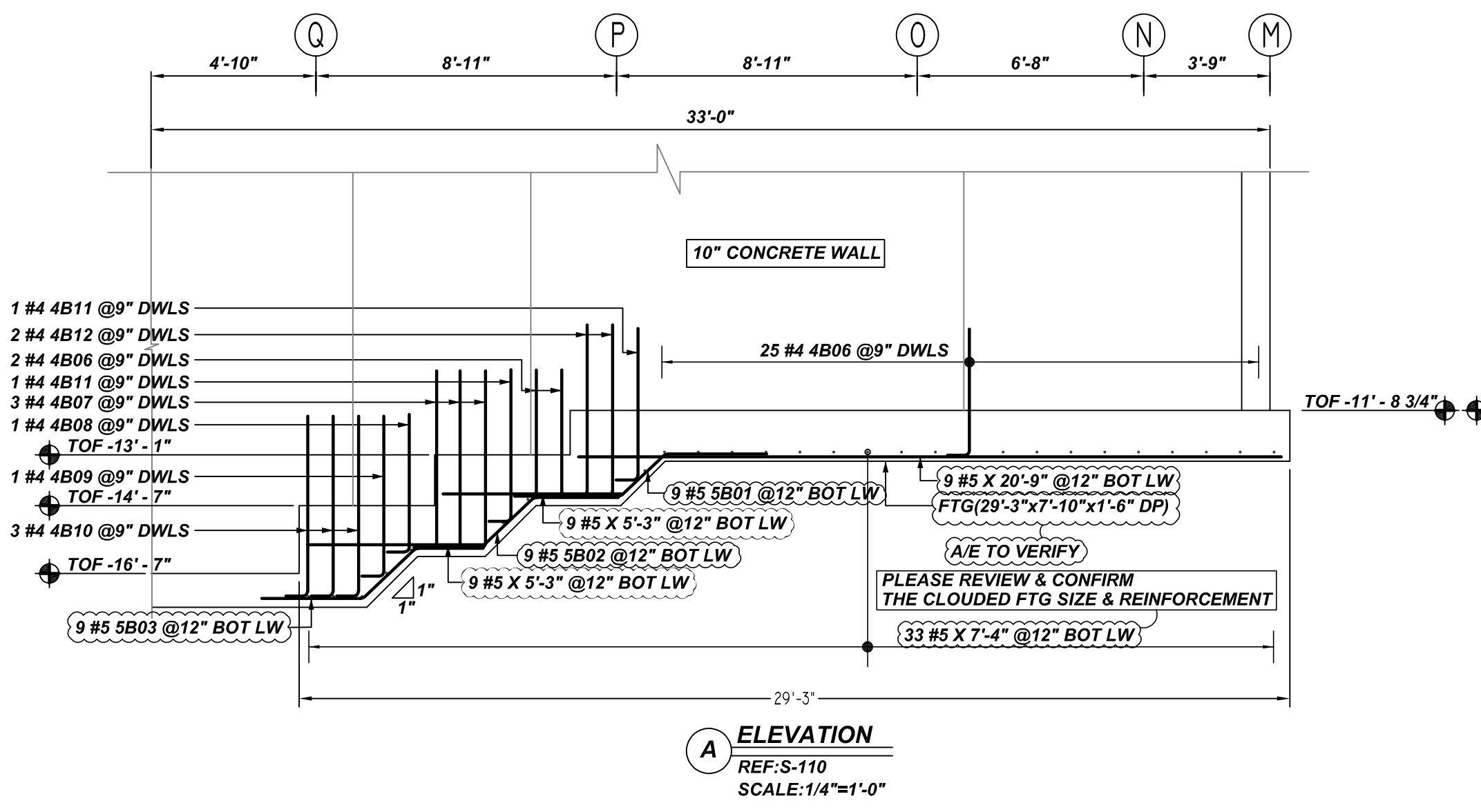
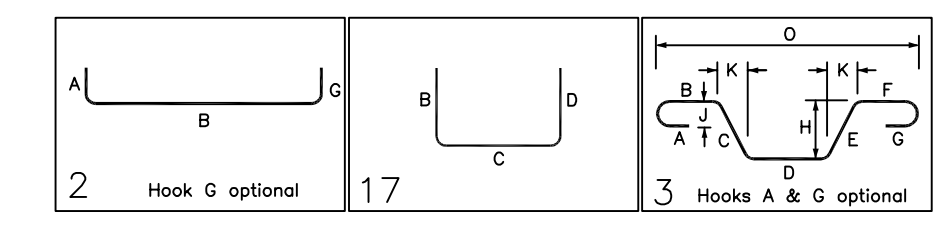
**FOOTING AND DOWEL REINFORCEMENT DETAILS**  
REF: S-100 & S-101  
SCALE: 1/4"=1'-0"

FOOTING SCHEDULE					
MARK	QTY	SIZE(LxBxD)	GRID LOCATION	REINFORCING	REMARK
F3	4	3'-0"X3'-0"X1'-0"	3.7/0,1.7/P,3.7-1.7/O&P	4x2x3 #4 X 2'-6" EW	-
F4.5	1	6'-0"X4'-6"X1'-2"	Q/3.7-1.7	8 #5 X 4'-0" SW 6 #5 X 5'-6" LW	-

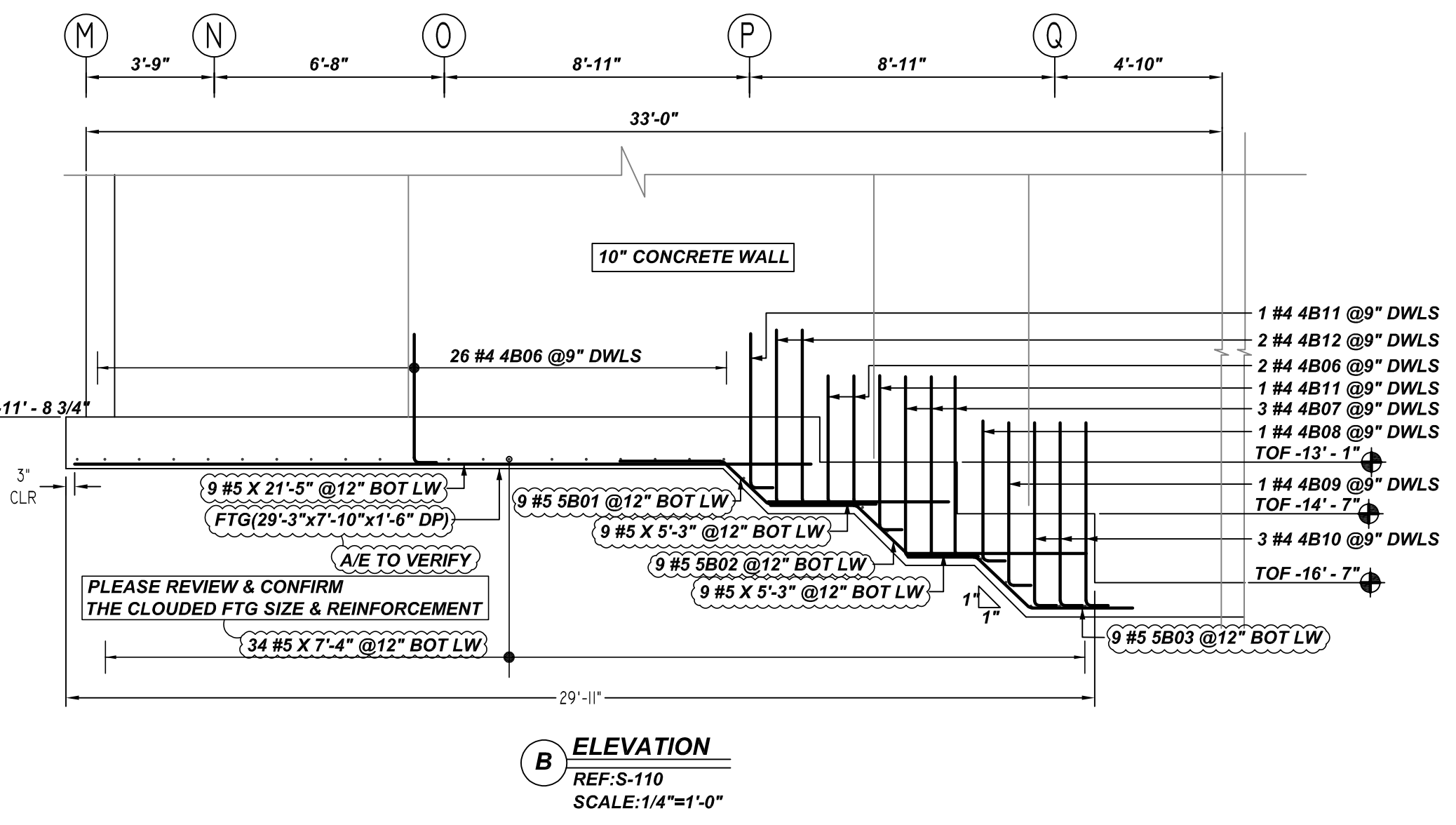


**TYPICAL ISOLATED FTG SECTION**  
SCALE - 1/2"=1'-0"  
REF: 7/S-302

Bar Work	Qty	Size	Total Length	Type	X	Y	Z	W	V	U	T	S	R	Q	P	O	N	M	L	K	J	I	H	G	F	E	D	C	B	A
4B04	85	#4	4'-0"	2	0'-8"	3'-4"																								
4B05	2	#4	5'-0"	2	0'-8"	4'-4"																								
4B06	65	#4	4'-5"	2	0'-8"	3'-9"																								
4B07	8	#4	5'-11"	2	0'-8"	5'-3"																								
4B08	2	#4	4'-5"	2	0'-8"	4'-1"																								
4B09	2	#4	5'-5"	2	0'-8"	4'-9"																								
4B10	6	#4	6'-0"	2	0'-8"	5'-4"																								
4B11	4	#4	5'-2"	2	0'-8"	4'-6"																								
4B12	4	#4	5'-9"	2	0'-8"	5'-1"																								
4B13	22	#4	3'-5"	17	2'-6"	0'-9"																								
4B14	12	#4	4'-8"	12	2'-5"	2'-5"																								
5B01	18	#5	7'-3"	3	3'-0"	1'-9"																								
5B02	18	#5	6'-7"	3	2'-6"	2'-1"																								
5B03	18	#5	7'-1"	3	2'-0"	2'-1"																								



**ELEVATION A**  
REF: S-110  
SCALE: 1/4"=1'-0"



**ELEVATION B**  
REF: S-110  
SCALE: 1/4"=1'-0"

**REBAR GRADE 60 ASTM A-615**

**SPLICES USED**

CLASS B 4,000 psi UNO	
TOP BARS	OTHER BARS
#3 28"	#3 22"
#4 38"	#4 29"
#5 47"	#5 36"
#6 56"	#6 43"
#7 82"	#7 63"
#8 93"	#8 73"
#9 -	#9 -
#10 -	#10 -
#11 -	#11 -
#14 -	#14 -

ABBREVIATIONS		BAR MARK SIZE EQUIVALENT	
		Imperial	Soft Metric
ADD.	= Additional	#3	#10
B.O.W.	= Bottom of wall	#4	#13
C.B.	= Corrus Bars	#5	#16
DIAG.	= Diagonal	#6	#19
D.O.	= Door Opening	#7	#22
DWLS.	= Dowels	#8	#25
E.F.	= Each Face	#9	#29
E.S.	= Each Side	#10	#32
E.W.	= Each Way	#11	#36
FTG.	= Footing		
F.F.	= Far Face		
HORIZ.	= Horizontal		
I.F.	= Inside Face		
INTERS.	= Intersection		
L.W.	= long Way		
N.F.	= Near Face		
O.F.	= Outside Face		
S.W.	= Short Way		
T&B	= Top & Bottom		
T.O.W.	= Top of Wall		
Trans.	= Transverse		
VERT.	= Vertical		

**GREEN ACERS INITIATIVE**  
FOOTING AND DOWEL REINFORCEMENT DETAILS  
**RUPERT, VT**

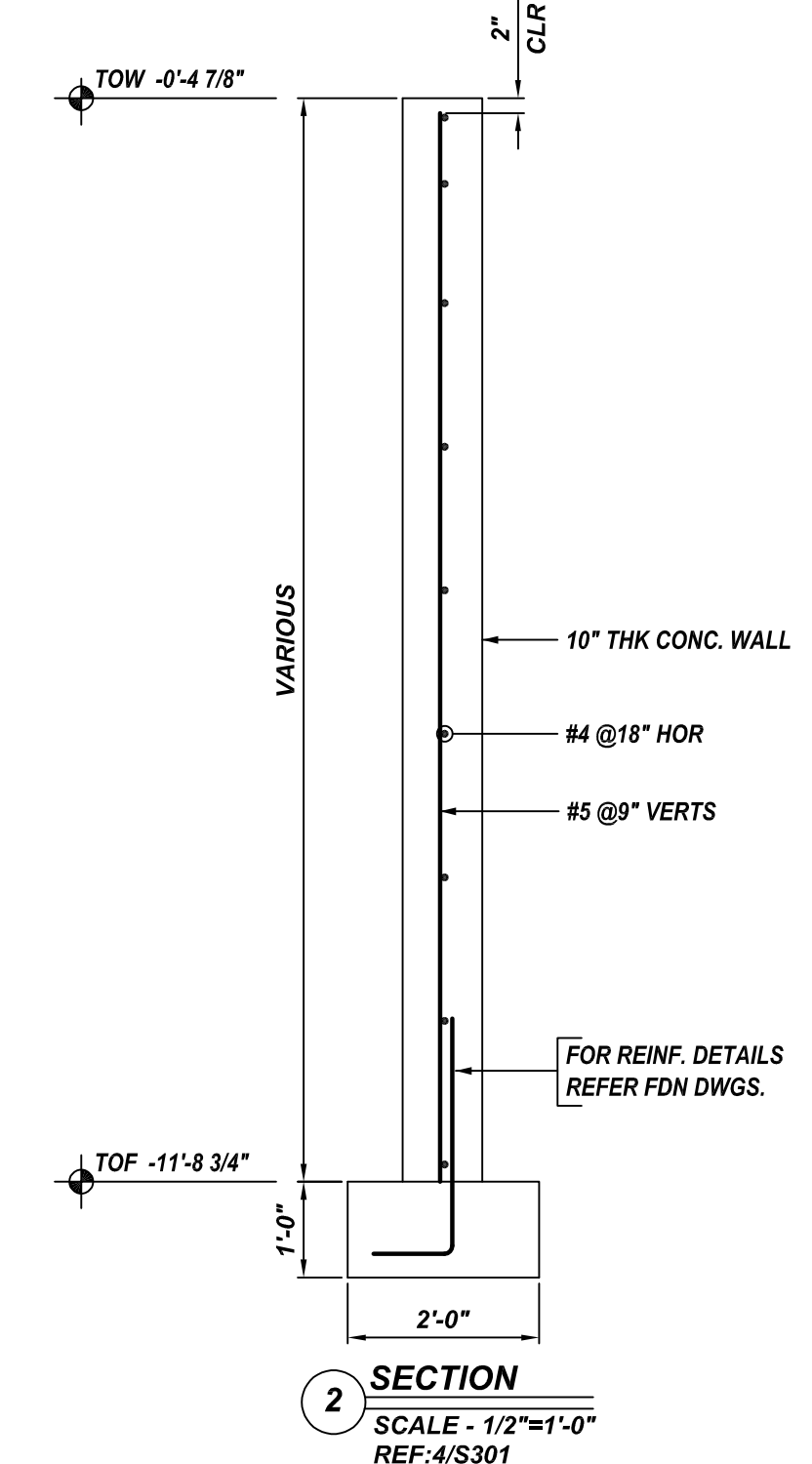
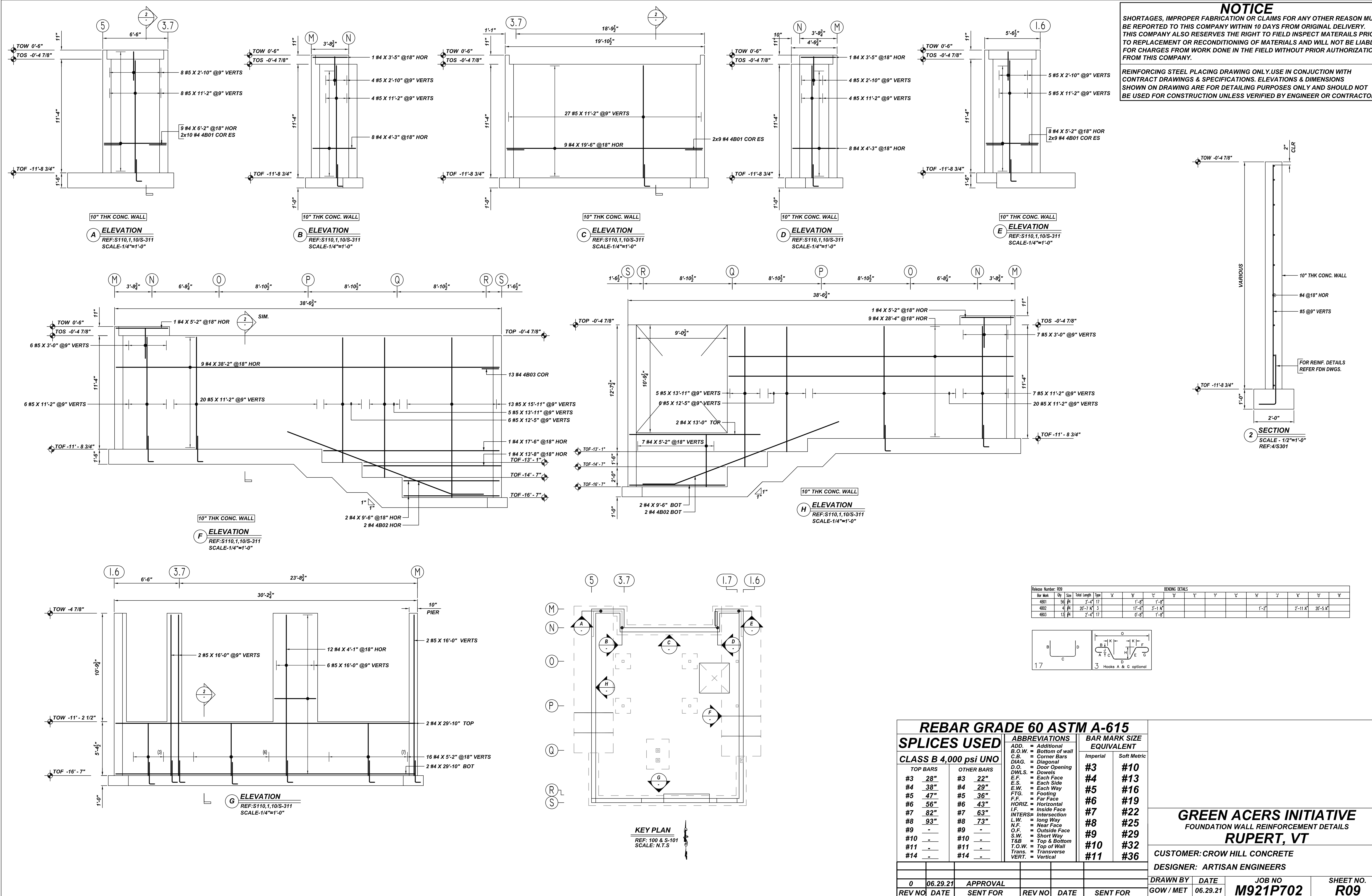
CUSTOMER: CROW HILL CONCRETE  
DESIGNER: ARTISAN ENGINEERS

REV NO	DATE	APPROVAL	REV NO	DATE	SENT FOR	DRAWN BY	DATE	JOB NO	SHEET NO.
0	06.29.21					GOW / MET	06.29.21	M921P702	R08

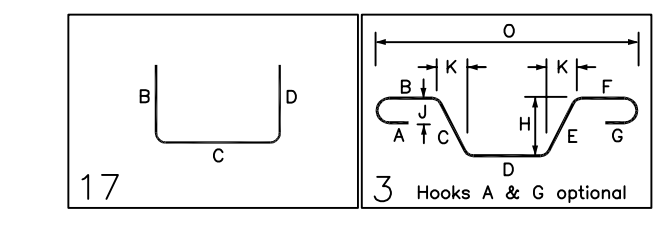
**NOTICE**

SHORTAGES, IMPROPER FABRICATION OR CLAIMS FOR ANY OTHER REASON MUST BE REPORTED TO THIS COMPANY WITHIN 10 DAYS FROM ORIGINAL DELIVERY. THIS COMPANY ALSO RESERVES THE RIGHT TO FIELD INSPECT MATERIALS PRIOR TO REPLACEMENT OR RECONDITIONING OF MATERIALS AND WILL NOT BE LIABLE FOR CHARGES FROM WORK DONE IN THE FIELD WITHOUT PRIOR AUTHORIZATION FROM THIS COMPANY.

REINFORCING STEEL PLACING DRAWING ONLY. USE IN CONJUNCTION WITH CONTRACT DRAWINGS & SPECIFICATIONS. ELEVATIONS & DIMENSIONS SHOWN ON DRAWING ARE FOR DETAILING PURPOSES ONLY AND SHOULD NOT BE USED FOR CONSTRUCTION UNLESS VERIFIED BY ENGINEER OR CONTRACTOR.



Rebar Number	Qty	Size	Total Length	Splice	X	Y	Z	BENDING DETAILS														
4801	56	#4	3'-4"	17			1'-8"	1'-8"														
4802	4	#4	20'-3"	3			17'-6"	3'-1"								1'-2"			2'-11"			20'-5"
4803	13	#4	2'-4"	17			0'-8"	1'-8"														



REBAR GRADE 60 ASTM A-615		
SPLICES USED		
CLASS B 4,000 psi UNO		BAR MARK SIZE EQUIVALENT
TOP BARS	OTHER BARS	Imperial / Soft Metric
#3 28"	#3 22"	#3 #10
#4 38"	#4 29"	#4 #13
#5 47"	#5 36"	#5 #16
#6 56"	#6 43"	#6 #19
#7 82"	#7 63"	#7 #22
#8 93"	#8 73"	#8 #25
#9 -	#9 -	#9 #29
#10 -	#10 -	#10 #32
#11 -	#11 -	#11 #36
#14 -	#14 -	

**GREEN ACERS INITIATIVE**  
FOUNDATION WALL REINFORCEMENT DETAILS  
**RUPERT, VT**

CUSTOMER: CROW HILL CONCRETE  
DESIGNER: ARTISAN ENGINEERS

DRAWN BY	DATE	JOB NO	SHEET NO.
GOW / MET	06.29.21	M921P702	R09

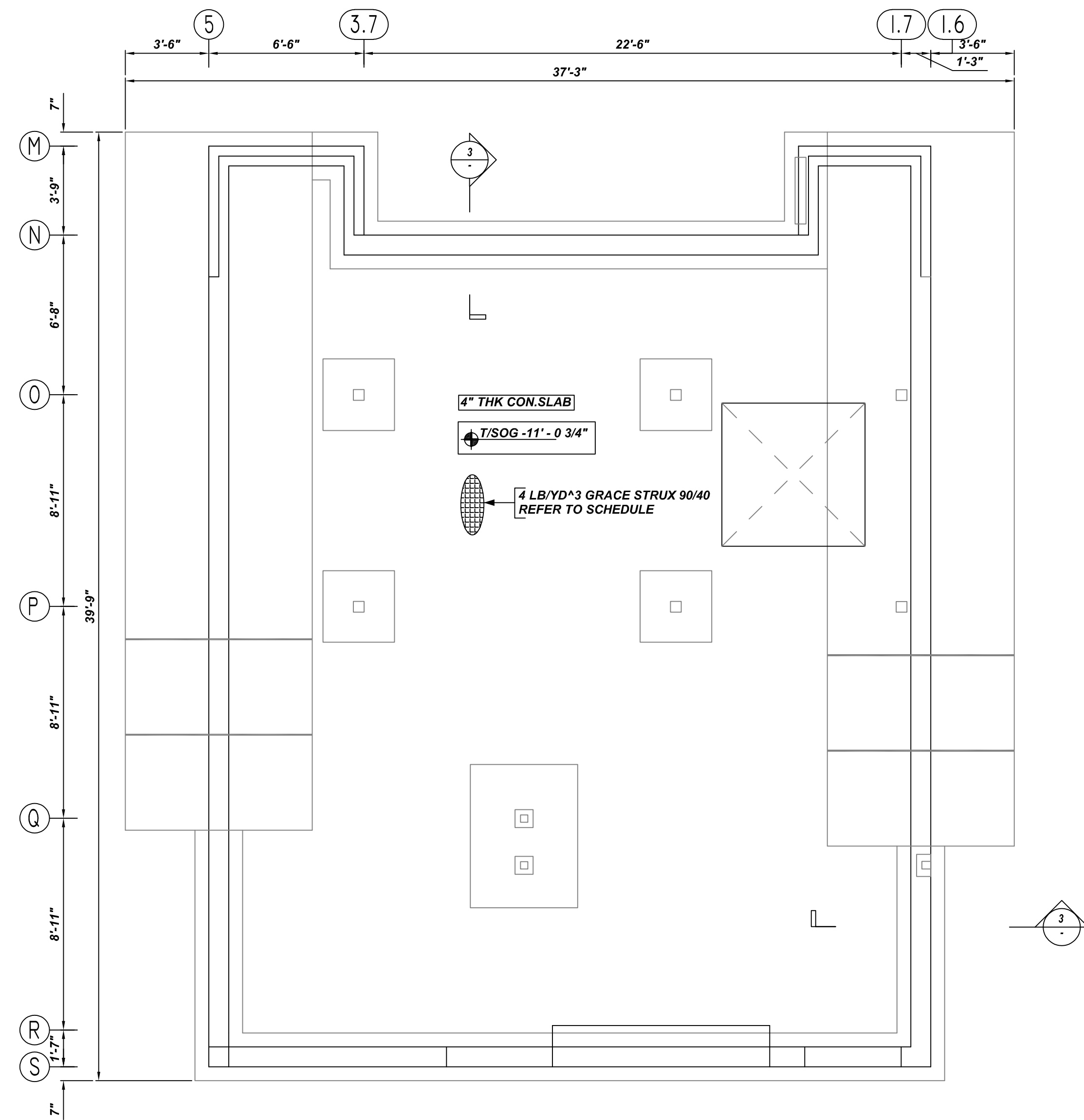
REV NO	DATE	APPROVAL	REV NO	DATE	SENT FOR
0	06.29.21				

**KEY PLAN**  
REF: 100 & S-101  
SCALE: N.T.S.

**NOTICE**

SHORTAGES, IMPROPER FABRICATION OR CLAIMS FOR ANY OTHER REASON MUST BE REPORTED TO THIS COMPANY WITHIN 10 DAYS FROM ORIGINAL DELIVERY. THIS COMPANY ALSO RESERVES THE RIGHT TO FIELD INSPECT MATERIALS PRIOR TO REPLACEMENT OR RECONDITIONING OF MATERIALS AND WILL NOT BE LIABLE FOR CHARGES FROM WORK DONE IN THE FIELD WITHOUT PRIOR AUTHORIZATION FROM THIS COMPANY.

REINFORCING STEEL PLACING DRAWING ONLY. USE IN CONJUNCTION WITH CONTRACT DRAWINGS & SPECIFICATIONS. ELEVATIONS & DIMENSIONS SHOWN ON DRAWING ARE FOR DETAILING PURPOSES ONLY AND SHOULD NOT BE USED FOR CONSTRUCTION UNLESS VERIFIED BY ENGINEER OR CONTRACTOR.



**SLAB ON GRADE REINFORCEMENT DETAILS**

REF: S-100 & S-101  
SCALE: 1/4"=1'-0"

MESH DETAILS				
ELEMENT	MESH SIZE	SHEETS	AREA	REMARK
6" THK SLAB ON GRADE	4 LB/YD³ GRACE STRUX 90/40	8	1100 SQ.FT	8'-0 X 20'-0" SHEET SIZE (15% LAP ADDED)

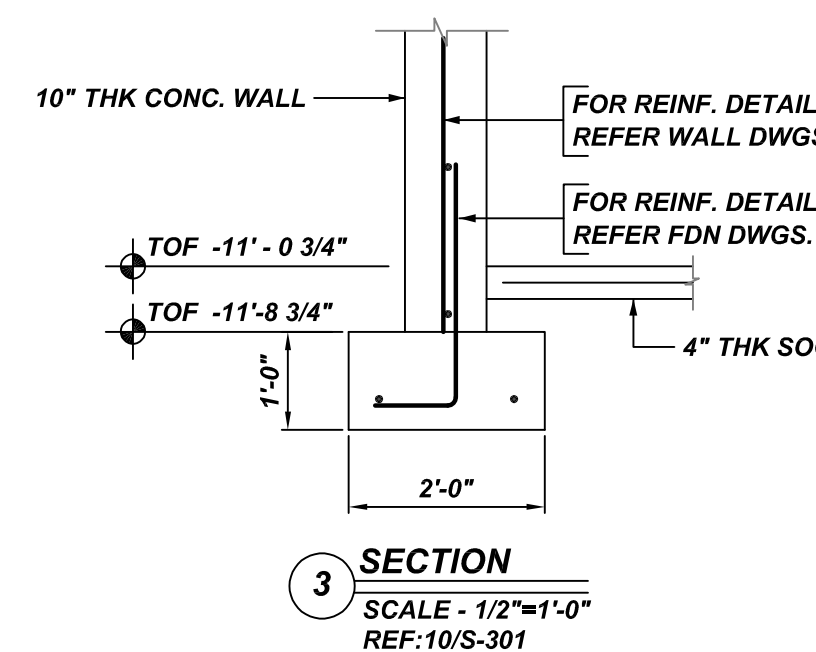
FOR FOUNDATION REINFORCEMENT DETAILS REFER DRAWINGS R01  
FOR FOUNDATION WALL REINFORCEMENT DETAILS REFER DRAWINGS R02  
FOR SLAB ON GRADE REINFORCEMENT DETAILS REFER DRAWINGS R03

- GC PLEASE VERIFY THE ALL CLOUDED DIMENSIONS
- GC PLEASE VERIFY THE LAP VALUE WE FOLLOWED

**TYPICAL BAR CLEARANCE TABLE**

FOOTING:-  
BOTTOM : 3"  
SIDE : 3"  
PIER:-  
TIES : 1 1/2"

GC PLEASE VERIFY COVER WE FOLLOWED (TYP.)



**REBAR GRADE 60 ASTM A-615**

SPLICES USED		ABBREVIATIONS		BAR MARK SIZE EQUIVALENT	
CLASS B 4,000 psi UNO				Imperial	Soft Metric
TOP BARS	OTHER BARS	ADD. = Additional		#3	#10
#3 28"	#3 22"	B.O.W. = Bottom of wall		#4	#13
#4 38"	#4 29"	C.B. = Corner Bars		#5	#16
#5 47"	#5 36"	DIAG. = Diagonal		#6	#19
#6 56"	#6 43"	D.O. = Door Opening		#7	#22
#7 82"	#7 63"	DWLS. = Dowels		#8	#25
#8 93"	#8 73"	E.F. = Each Face		#9	#29
#9 -	#9 -	E.S. = Each Side		#10	#32
#10 -	#10 -	E.W. = Each Way		#11	#36
#11 -	#11 -	FTG. = Footing			
#14 -	#14 -	F.F. = Far Face			
		HORIZ. = Horizontal			
		I.F. = Inside Face			
		INTERS. = Intersection			
		L.W. = long Way			
		N.F. = Near Face			
		O.F. = Outside Face			
		S.W. = Short Way			
		T&B = Top & Bottom			
		T.O.W. = Top of Wall			
		Trans. = Transverse			
		VERT. = Vertical			

**GREEN ACERS INITIATIVE**  
SLAB ON GRADE REINFORCEMENT DETAILS  
**RUPERT, VT**

CUSTOMER: CROW HILL CONCRETE

DESIGNER: ARTISAN ENGINEERS

0	06.29.21	APPROVAL				DRAWN BY	DATE	JOB NO	SHEET NO.
REV NO	DATE	SENT FOR	REV NO	DATE	SENT FOR	GOW / MET	06.29.21	M921P702	R10