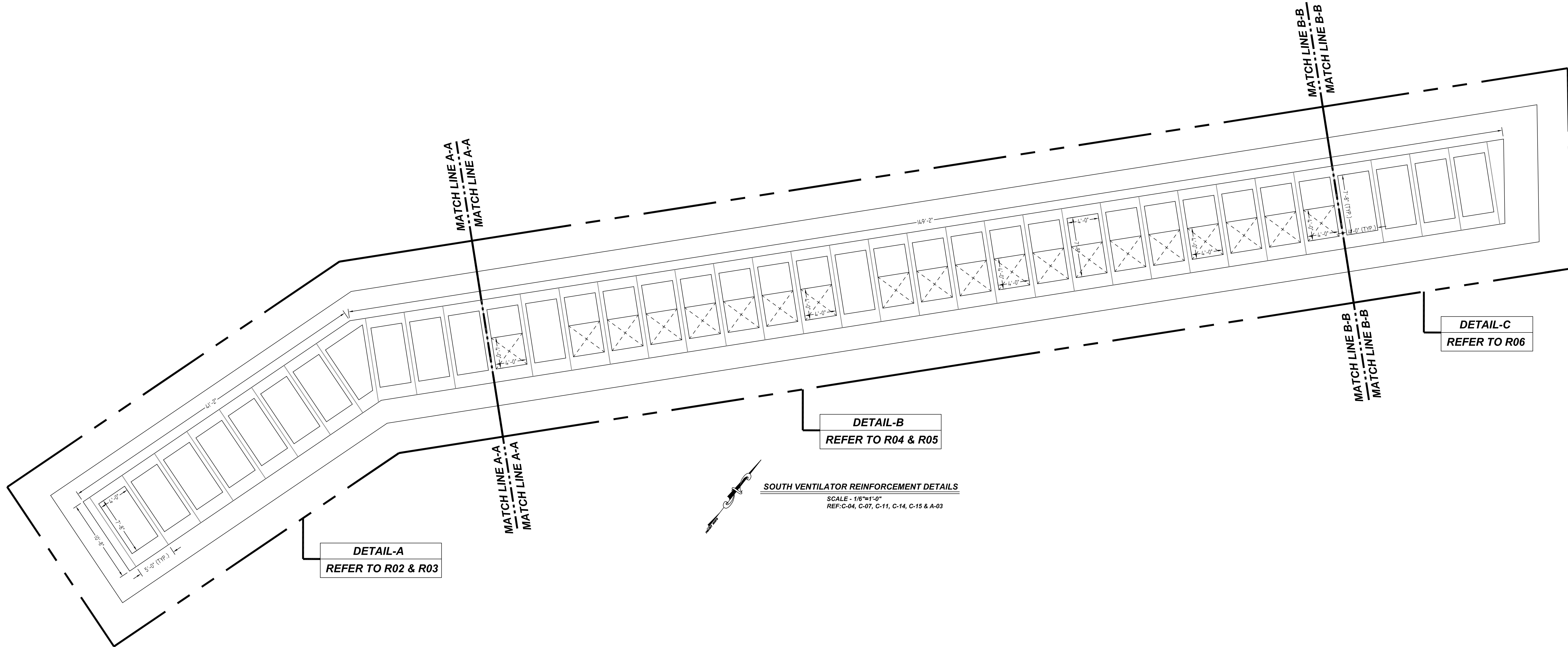


NOTICE

SHORTAGES, IMPROPER FABRICATION OR CLAIMS FOR ANY OTHER REASON MUST BE REPORTED TO THIS COMPANY WITHIN 10 DAYS FROM ORIGINAL DELIVERY. THIS COMPANY ALSO RESERVES THE RIGHT TO FIELD INSPECT MATERIALS PRIOR TO REPLACEMENT OR RECONDITIONING OF MATERIALS AND WILL NOT BE LIABLE FOR CHARGES FROM WORK DONE IN THE FIELD WITHOUT PRIOR AUTHORIZATION FROM THIS COMPANY.

REINFORCING STEEL PLACING DRAWING ONLY. USE IN CONJUNCTION WITH CONTRACT DRAWINGS & SPECIFICATIONS. ELEVATIONS & DIMENSIONS SHOWN ON DRAWING ARE FOR DETAILING PURPOSES ONLY AND SHOULD NOT BE USED FOR CONSTRUCTION UNLESS VERIFIED BY ENGINEER OR CONTRACTOR.



DETAIL-A
REFER TO R02 & R03

DETAIL-B
REFER TO R04 & R05

DETAIL-C
REFER TO R06

SOUTH VENTILATOR REINFORCEMENT DETAILS
SCALE - 1/8"=1'-0"
REF: C-04, C-07, C-11, C-14, C-15 & A-03

TYPICAL REINFORCING BAR CLEARANCE TABLE

LOCATION	MIN. COVER
SLAB TOP & BOTTOM	1 1/2" CLR
SLAB EDGE	2" CLR
WALL	3" CLR

PLEASE VERIFY CLEAR COVER (TYP.)

**ALL BARS IN THIS DRAWING
ASTM A615 GRADE 60
BLACK UNCOATED**

REBAR GRADE 60 ASTM A-615

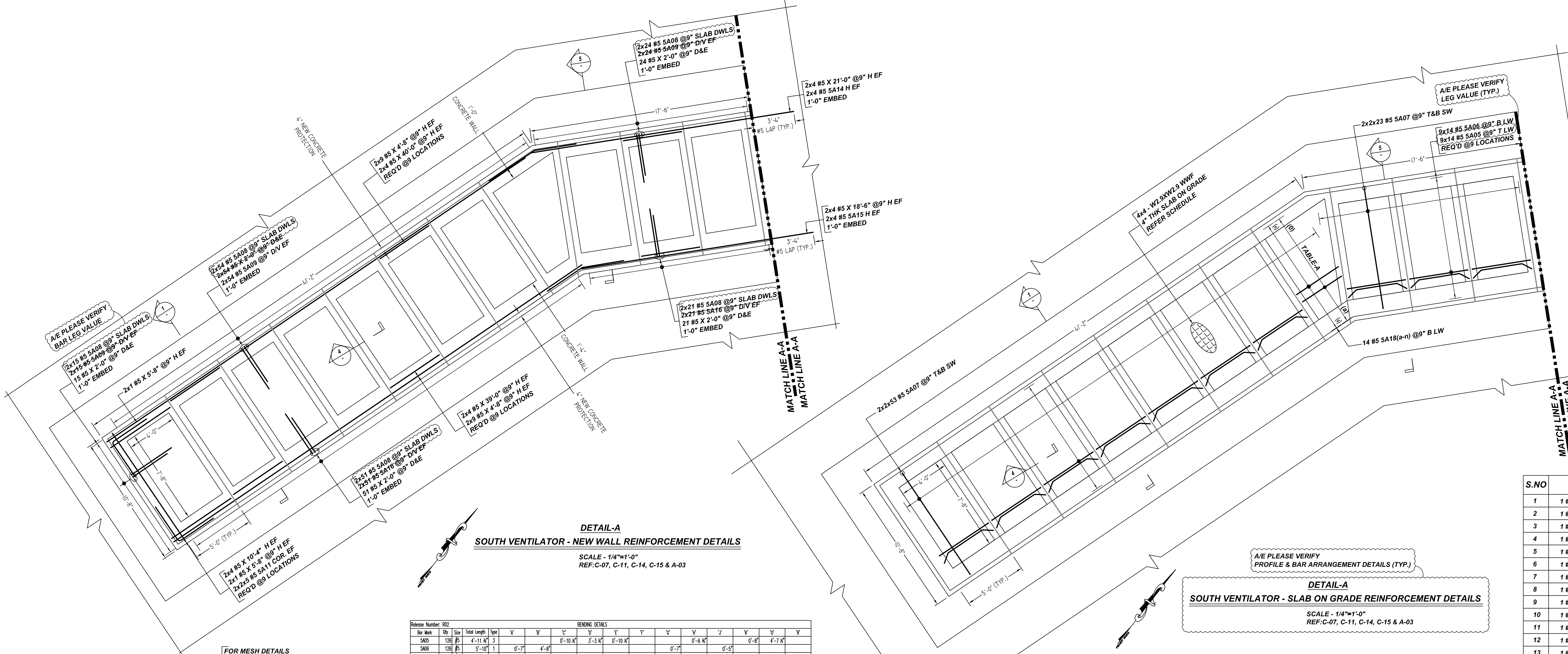
SPLICES USED		ABBREVIATIONS		BAR MARK SIZE EQUIVALENT	
CLASS B 4,000 psi UNO				Imperial	Soft Metric
TOP BARS	OTHER BARS	ADD. = Additional	B.O.W. = Bottom of wall	#3	#10
#3 24"	#3 19"	C.B. = Corner Bars	DIAG. = Diagonal	#4	#13
#4 32"	#4 25"	D.O. = Door Opening	D.W.L.S. = Dowels	#5	#16
#5 40"	#5 31"	E.F. = Each Face	E.S. = Each Side	#6	#19
#6 48"	#6 37"	E.W. = Each Way	FTG. = Footing	#7	#22
#7 70"	#7 54"	F.F. = Far Face	HORIZ. = Horizontal	#8	#25
#8 80"	#8 62"	I.F. = Inside Face	INTERS. = Intersection	#9	#29
#9 91"	#9 70"	L.W. = long Way	N.F. = Near Face	#10	#32
#10 102"	#10 79"	O.F. = Outside Face	S.W. = Short Way	#11	#36
#11 113"	#11 87"	T&B = Top & Bottom	T.O.W. = Top of Wall		
#14 -	#14 -	Trans. = Transverse	VERT. = Vertical		

NYCTA A 37671
SOUTH VENTILATOR REINFORCEMENT DETAILS
NEW YORK

CUSTOMER: M.BHUIYAN CONSTRUCTION
DESIGNER: DEPARTMENT OF CAPITAL PROGRAM MANAGEMENT

REV NO	DATE	SENT FOR	REV NO	DATE	SENT FOR
0	07.30.21	APPROVAL			

DRAWN BY	DATE	JOB NO	SHEET NO.
RAJ/MET	07.30.21	M921P745	R01

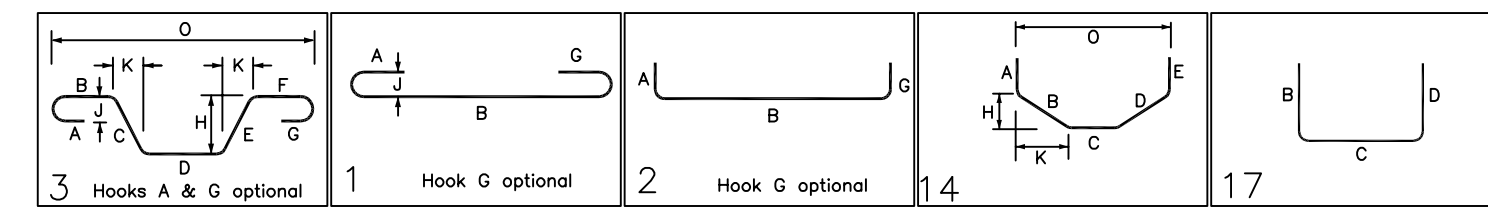


DETAIL-A
SOUTH VENTILATOR - NEW WALL REINFORCEMENT DETAILS
 SCALE - 1/4"=1'-0"
 REF: C-07, C-11, C-14, C-15 & A-03

DETAIL-A
SOUTH VENTILATOR - SLAB ON GRADE REINFORCEMENT DETAILS
 SCALE - 1/4"=1'-0"
 REF: C-07, C-11, C-14, C-15 & A-03

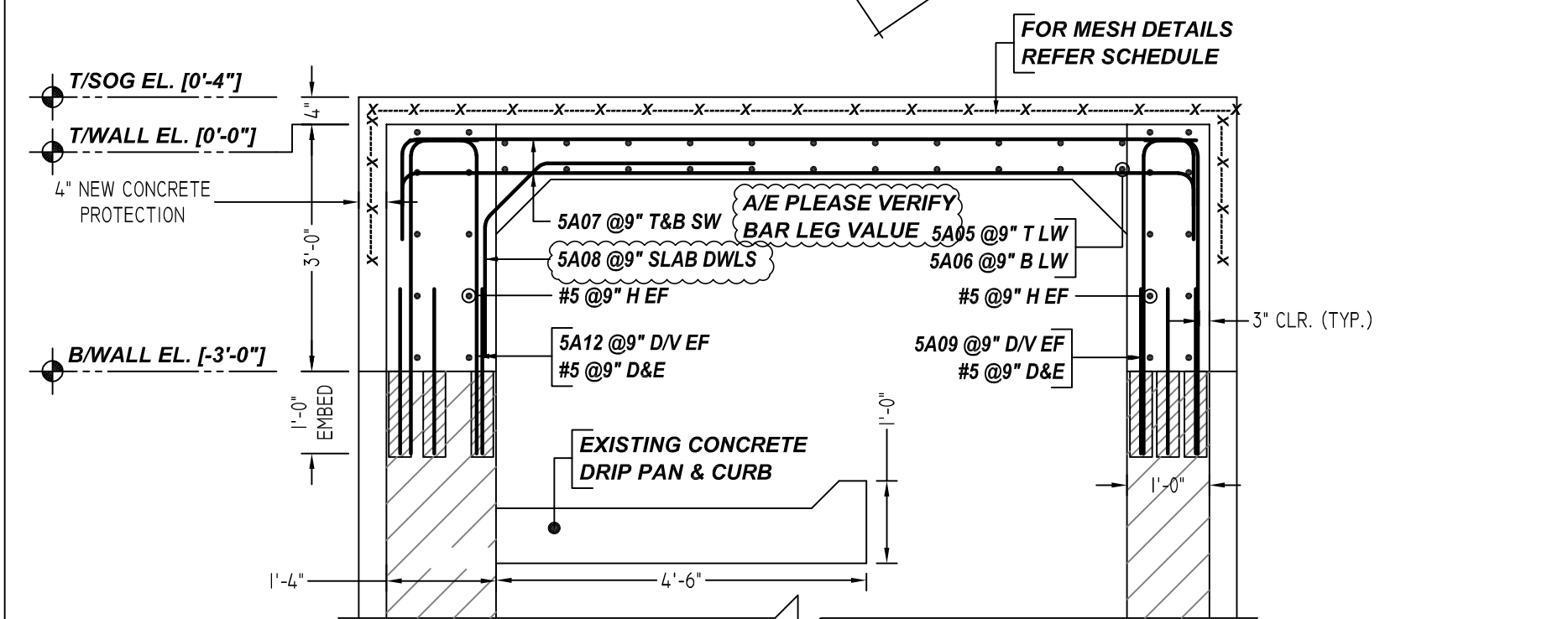
S.NO	TABLE-A
1	1 #5 SA19 T LW (a)
2	1 #5 SA20 T LW
3	1 #5 SA21 T LW
4	1 #5 SA22 T LW
5	1 #5 SA23 T LW
6	1 #5 SA23 T LW
7	1 #5 SA24 T LW
8	1 #5 SA25 T LW
9	1 #5 SA26 T LW
10	1 #5 SA27 T LW
11	1 #5 SA28 T LW
12	1 #5 SA29 T LW
13	1 #5 SA30 T LW
14	1 #5 SA31 T LW
15	1 #5 SA32 T LW (o)

Bar Mark	Qty	Size	Total Length	Type	Y	X	Y	X	Y	X	Y	X	Y	X	
SA05	126	#5	4'-11 1/2"	3			0'-10 1/2"	3'-3 1/2"	0'-10 1/2"				0'-8 1/2"	0'-5"	4'-7 1/2"
SA06	126	#5	5'-10 1/2"	1	0'-7"		4'-8"				0'-7"		0'-6 1/2"	0'-5"	
SA07	304	#5	11'-4 1/2"	2	0'-10 1/2"		9'-8"				0'-10 1/2"		0'-8 1/2"	0'-8"	3'-3 1/2"
SA08	330	#5	5'-3 1/2"	14	1'-8"		1'-0"	2'-7"			0'-8 1/2"		0'-8 1/2"	3'-3 1/2"	
SA09	186	#5	4'-6 1/2"	17	0'-8"		3'-10 1/2"				0'-8 1/2"		0'-8"	0'-5"	
SA11	24	#5	6'-5 1/2"	17	3'-4"		3'-4"				1'-10 1/2"		3'-10 1/2"	7'-2 1/2"	
SA14	8	#5	7'-7 1/2"	3	3'-4"		4'-3 1/2"				1'-10 1/2"		3'-10 1/2"	7'-2 1/2"	
SA15	8	#5	6'-7 1/2"	3	3'-4"		3'-3 1/2"				1'-5 1/2"		3'-0"	6'-4"	
SA16	144	#5	4'-8 1/2"	17	0'-10 1/2"		3'-10 1/2"				0'-8 1/2"		0'-8 1/2"	0'-5"	
SA18a	1	#5	10'-10 1/2"	1	0'-7"		9'-8"				0'-7"		0'-5"		
SA18b	1	#5	10'-3 1/2"	1	0'-7"		9'-1 1/2"				0'-7"		0'-5"		
SA18c	1	#5	9'-8 1/2"	1	0'-7"		8'-6 1/2"				0'-7"		0'-5"		
SA18d	1	#5	9'-2 1/2"	1	0'-7"		8'-0 1/2"				0'-7"		0'-5"		
SA18e	1	#5	8'-7 1/2"	1	0'-7"		7'-3 1/2"				0'-7"		0'-5"		
SA18f	1	#5	8'-1 1/2"	1	0'-7"		6'-11 1/2"				0'-7"		0'-5"		
SA18g	1	#5	7'-6 1/2"	1	0'-7"		6'-4 1/2"				0'-7"		0'-5"		
SA18h	1	#5	7'-0 1/2"	1	0'-7"		5'-10 1/2"				0'-7"		0'-5"		
SA18i	1	#5	6'-5 1/2"	1	0'-7"		5'-3 1/2"				0'-7"		0'-5"		
SA18j	1	#5	5'-11 1/2"	1	0'-7"		4'-9"				0'-7"		0'-5"		
SA18k	1	#5	5'-4 1/2"	1	0'-7"		4'-2 1/2"				0'-7"		0'-5"		
SA18l	1	#5	4'-10 1/2"	1	0'-7"		3'-8"				0'-7"		0'-5"		
SA18m	1	#5	4'-3 1/2"	1	0'-7"		3'-1 1/2"				0'-7"		0'-5"		
SA18n	1	#5	3'-9 1/2"	1	0'-7"		2'-7"				0'-7"		0'-5"		
SA19	1	#5	2'-1 1/2"	3	0'-10 1/2"		0'-5"	0'-10 1/2"			0'-6 1/2"		0'-8"	1'-9"	
SA20	1	#5	2'-4 1/2"	3	0'-10 1/2"		0'-8"	0'-10 1/2"			0'-6 1/2"		0'-8"	2'-0"	
SA21	1	#5	2'-8 1/2"	3	0'-10 1/2"		1'-0"	0'-10 1/2"			0'-6 1/2"		0'-8"	2'-4"	
SA22	1	#5	3'-0 1/2"	3	0'-10 1/2"		1'-4"	0'-10 1/2"			0'-6 1/2"		0'-8"	2'-8"	
SA23	2	#5	3'-5"	3	0'-10 1/2"		1'-8 1/2"	0'-10 1/2"			0'-6 1/2"		0'-8"	3'-0 1/2"	
SA24	1	#5	3'-9 1/2"	3	0'-10 1/2"		2'-1"	0'-10 1/2"			0'-6 1/2"		0'-8"	3'-5"	
SA25	1	#5	4'-1 1/2"	3	0'-10 1/2"		2'-5"	0'-10 1/2"			0'-6 1/2"		0'-8"	4'-9"	
SA26	1	#5	4'-5 1/2"	3	0'-10 1/2"		2'-9"	0'-10 1/2"			0'-6 1/2"		0'-8"	4'-1"	
SA27	1	#5	4'-9 1/2"	3	0'-10 1/2"		3'-1 1/2"	0'-10 1/2"			0'-6 1/2"		0'-8"	4'-5 1/2"	
SA28	1	#5	5'-1 1/2"	3	0'-10 1/2"		3'-5"	0'-10 1/2"			0'-6 1/2"		0'-8"	4'-9"	
SA29	1	#5	5'-6 1/2"	3	0'-10 1/2"		3'-10 1/2"	0'-10 1/2"			0'-6 1/2"		0'-8"	5'-2"	
SA30	1	#5	5'-10 1/2"	3	0'-10 1/2"		4'-2"	0'-10 1/2"			0'-6 1/2"		0'-8"	5'-6"	
SA31	1	#5	6'-2 1/2"	3	0'-10 1/2"		4'-6"	0'-10 1/2"			0'-6 1/2"		0'-8"	5'-10"	
SA32	1	#5	6'-6 1/2"	3	0'-10 1/2"		4'-10"	0'-10 1/2"			0'-6 1/2"		0'-8"	6'-2"	

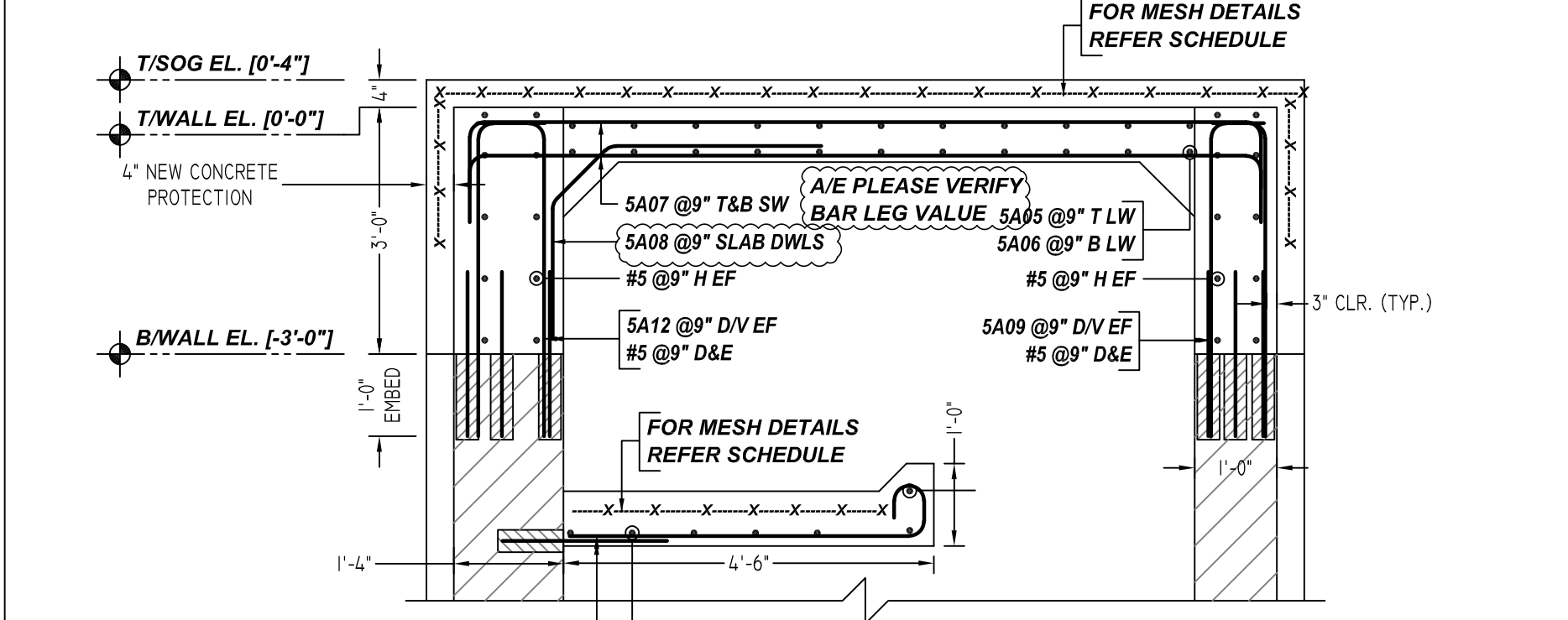


S. NO	ELEMENT	MESH SIZE	SHEETS	AREA	REMARK
1	4" THK SLAB ON GRADE	4x4 - W2.X2.9 WWF	6	600 SQ.FT	8'-0 X 15'-0" SHEET SIZE (15% LAP ADDED)

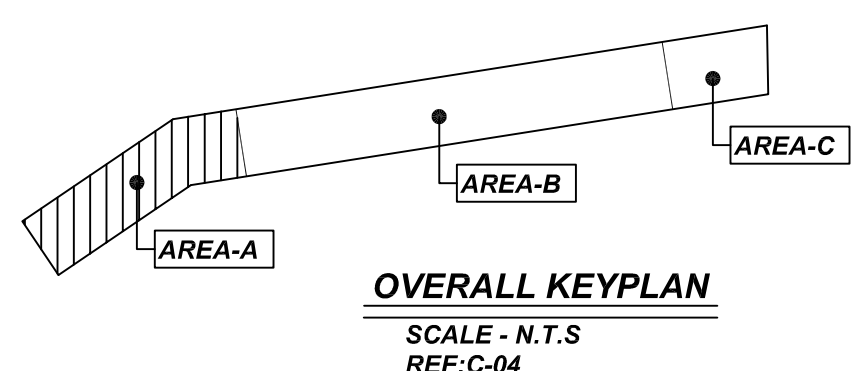
MESH DETAILS



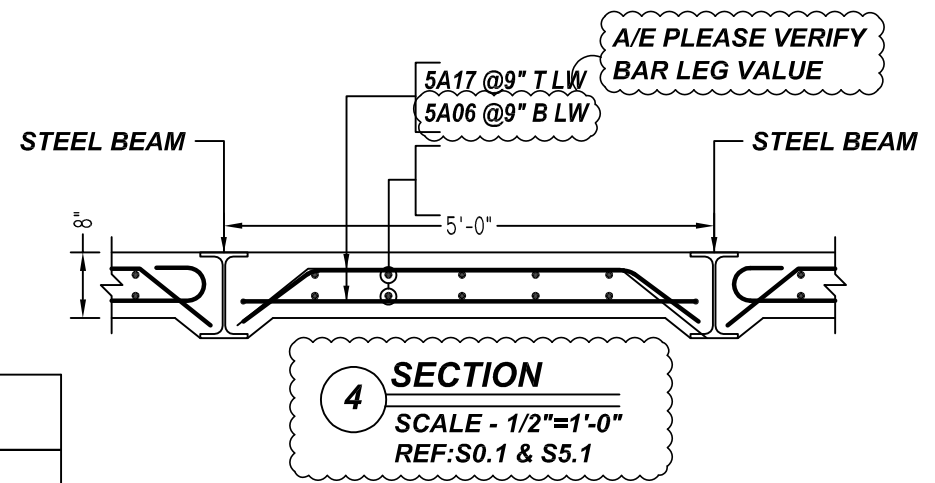
5 SECTION
 SCALE - 1/2"=1'-0"
 REF: C-09, C-10 & A-03



1 SECTION
 SCALE - 1/2"=1'-0"
 REF: C-07, C-08 & A-03



OVERALL KEYPLAN
 SCALE - N.T.S
 REF: C-04



4 SECTION
 SCALE - 1/2"=1'-0"
 REF: S0.1 & S5.1

REBAR GRADE 60 ASTM A-615		ABBREVIATIONS		BAR MARK SIZE EQUIVALENT	
SPLICES USED		ADD. = Additional	B.O.W. = Bottom of wall	Imperial	Soft Metric
CLASS B 4,000 psi UNO		C.B. = Corner Bars	DIAG. = Diagonal	D.O. = Door Opening	D.WLS. = Dowels
TOP BARS	OTHER BARS	E.F. = Each Face	E.S. = Each Side	E.W. = Each Way	FTG. = Footing
#3 24"	#3 19"	F.F. = Far Face	HORIZ. = Horizontal	I.F. = Inside Face	INTERS. = Intersection
#4 32"	#4 25"	L.W. = long Way	N.F. = Near Face	T.O.W. = Top of Wall	T&B = Top & Bottom
#5 40"	#5 31"	O.F. = Outside Face	S.W. = Short Way	T.O.W. = Top of Wall	Trans. = Transverse
#6 48"	#6 37"	VERT. = Vertical			
#7 70"	#7 54"				
#8 80"	#8 62"				
#9 91"	#9 70"				
#10 102"	#10 79"				
#11 113"	#11 87"				
#14 -	#14 -				

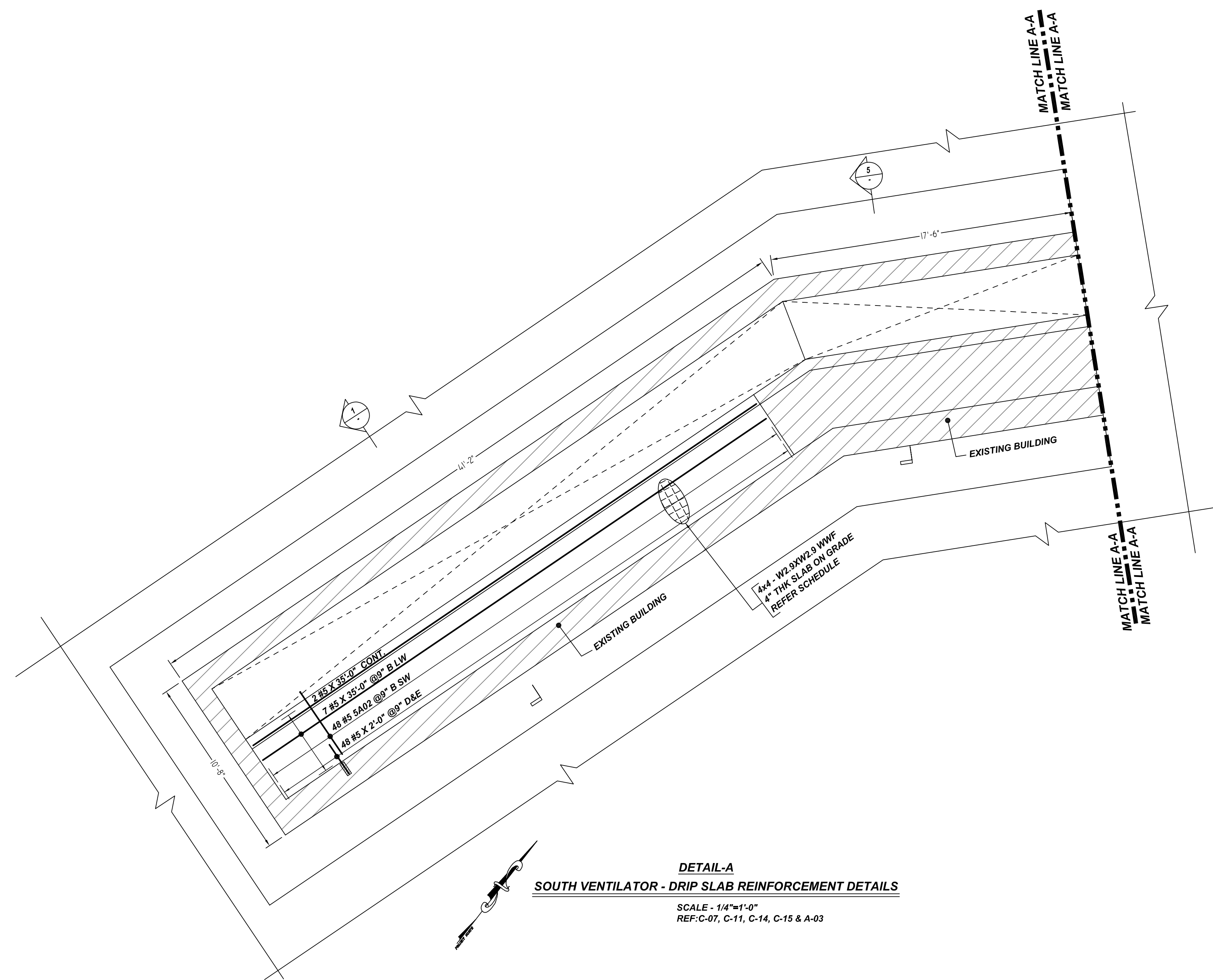
NOTICE
 SHORTAGES, IMPROPER FABRICATION OR CLAIMS FOR ANY OTHER REASON MUST BE REPORTED TO THIS COMPANY WITHIN 10 DAYS FROM ORIGINAL DELIVERY. THIS COMPANY ALSO RESERVES THE RIGHT TO FIELD INSPECT MATERIALS PRIOR TO REPLACEMENT OR RECONDITIONING OF MATERIALS AND WILL NOT BE LIABLE FOR CHARGES FROM WORK DONE IN THE FIELD WITHOUT PRIOR AUTHORIZATION FROM THIS COMPANY.

REINFORCING STEEL PLACING DRAWING ONLY USE IN CONJUNCTION WITH CONTRACT DRAWINGS & SPECIFICATIONS. ELEVATIONS & DIMENSIONS SHOWN ON DRAWING ARE FOR DETAILING PURPOSES ONLY AND SHOULD NOT BE USED FOR CONSTRUCTION UNLESS VERIFIED BY ENGINEER OR CONTRACTOR.

NYCTA A 37671
 SOUTH VENTILATOR - NEW WALL & SLAB ON GRADE REINFORCEMENT DETAILS
NEW YORK
 CUSTOMER: M. BHUIYAN CONSTRUCTION
 DESIGNER: DEPARTMENT OF CAPITAL PROGRAM MANAGEMENT

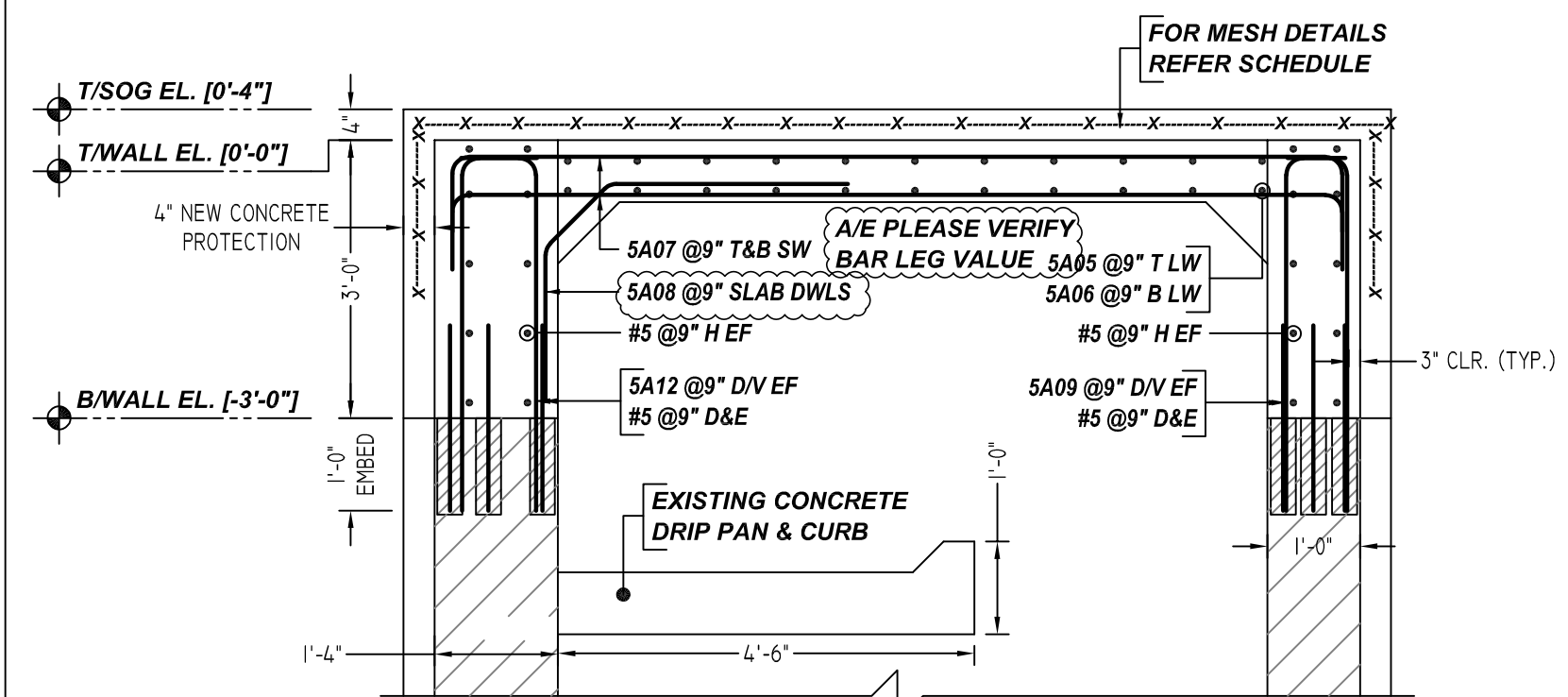
DRAWN BY	DATE	JOB NO	SHEET NO.
RAJ/MET	07.30.21	M921P745	R02

REV NO	DATE	APPROVAL	REV NO	DATE	SENT FOR
0	07.30.21				

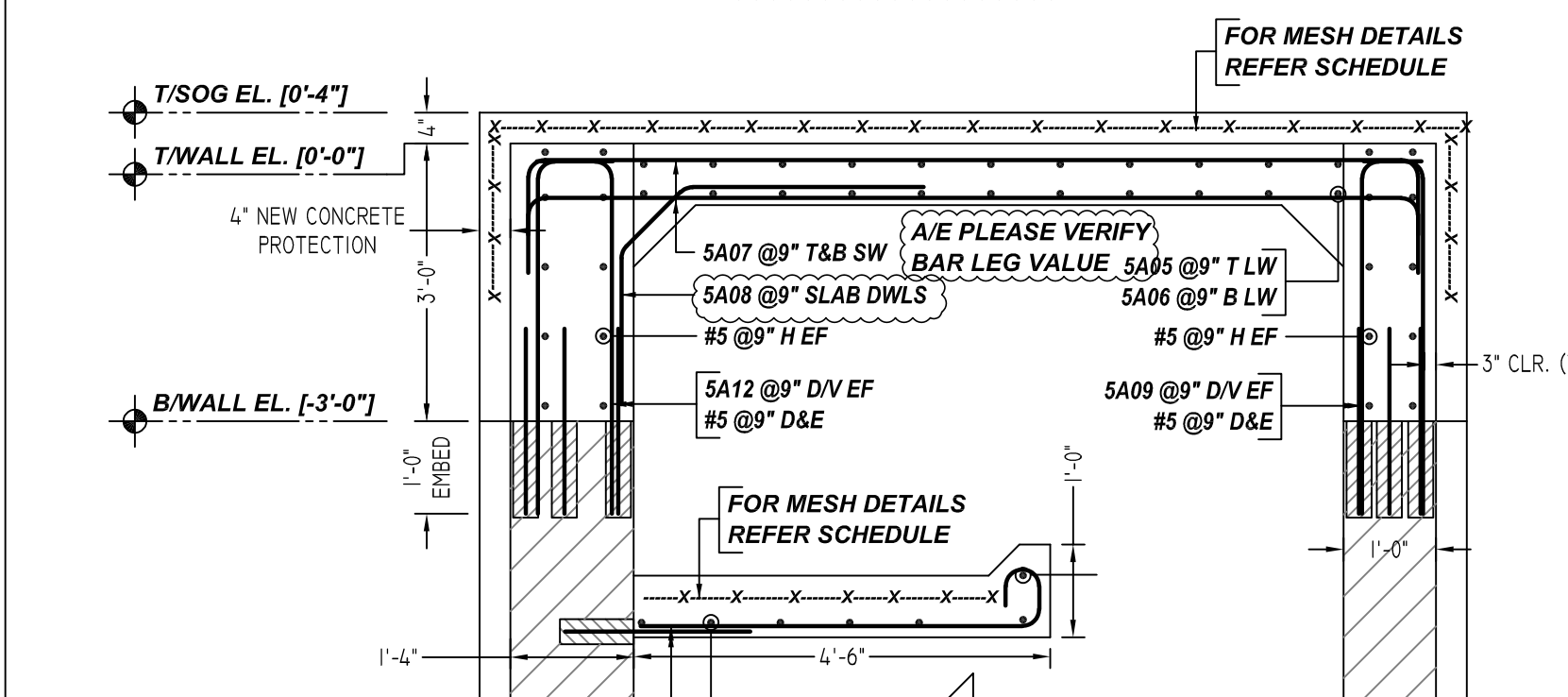


DETAIL-A
SOUTH VENTILATOR - DRIP SLAB REINFORCEMENT DETAILS

SCALE - 1/4"=1'-0"
REF: C-07, C-11, C-14, C-15 & A-03



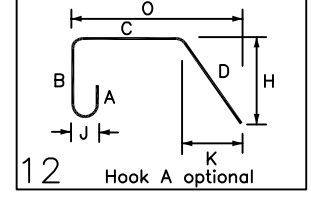
SECTION 5
SCALE - 1/2"=1'-0"
REF: C-09, C-10 & A-03



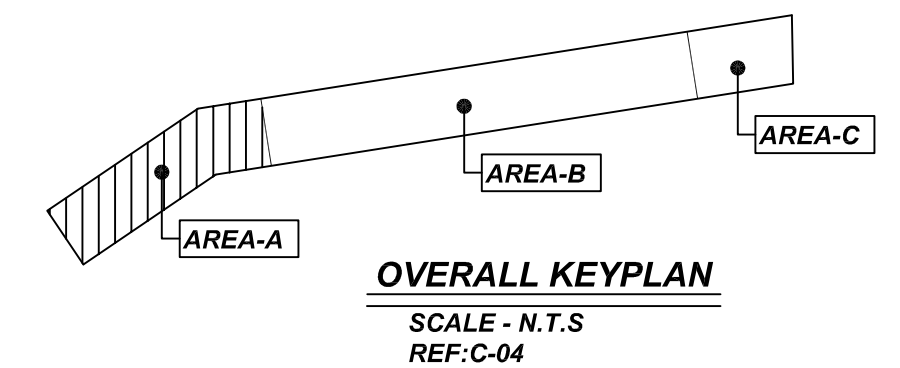
SECTION 1
SCALE - 1/2"=1'-0"
REF: C-07, C-08 & A-03

Release Number: R03

Bar Mark	Qty	Size	Total Length	Type	X	Y	Z	W	V	U	T	S	R	Q	P	O	N	M	L	K	J	I	H	G	F	E	D	C	B	A
5A02	48	#5	9'-7"	12	0'-7"	0'-8"	4'-4"																							



S. NO	ELEMENT	MESH SIZE	SHEETS	AREA	REMARK
2	8" THK DRIP SLAB	4x4 - W2.9XW2.9 WWF	3	240 SQ.FT	8'-0" X 15'-0" SHEET SIZE (15% LAP ADDED)



OVERALL KEYPLAN
SCALE - N.T.S.
REF: C-04

NOTICE
SHORTAGES, IMPROPER FABRICATION OR CLAIMS FOR ANY OTHER REASON MUST BE REPORTED TO THIS COMPANY WITHIN 10 DAYS FROM ORIGINAL DELIVERY. THIS COMPANY ALSO RESERVES THE RIGHT TO FIELD INSPECT MATERIALS PRIOR TO REPLACEMENT OR RECONDITIONING OF MATERIALS AND WILL NOT BE LIABLE FOR CHARGES FROM WORK DONE IN THE FIELD WITHOUT PRIOR AUTHORIZATION FROM THIS COMPANY.

REINFORCING STEEL PLACING DRAWING ONLY. USE IN CONJUNCTION WITH CONTRACT DRAWINGS & SPECIFICATIONS. ELEVATIONS & DIMENSIONS SHOWN ON DRAWING ARE FOR DETAILING PURPOSES ONLY AND SHOULD NOT BE USED FOR CONSTRUCTION UNLESS VERIFIED BY ENGINEER OR CONTRACTOR.

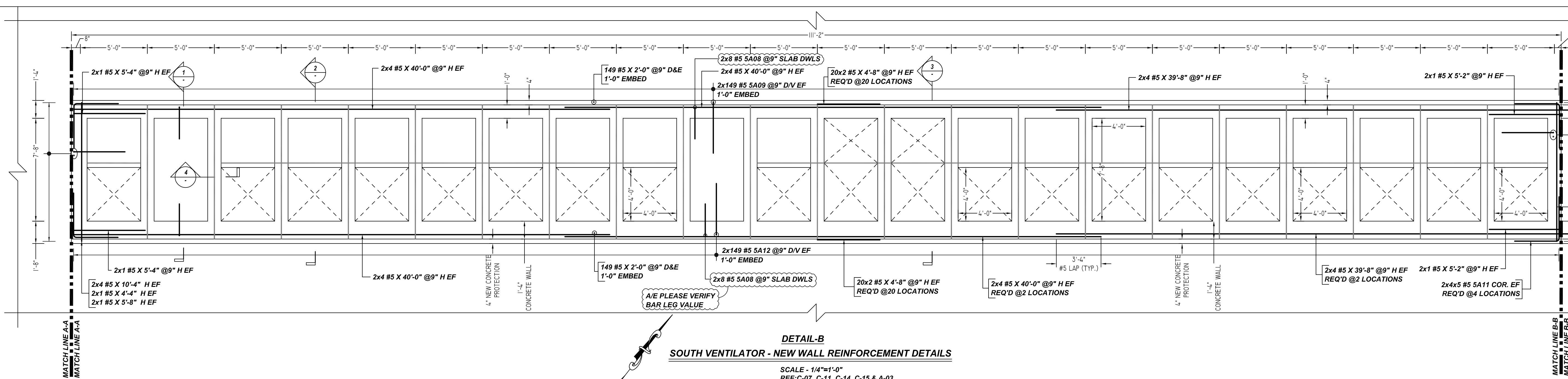
REBAR GRADE 60 ASTM A-615		SPLICES USED		ABBREVIATIONS		BAR MARK SIZE EQUIVALENT	
CLASS B 4,000 psi UNO		TOP BARS	OTHER BARS			Imperial	Soft Metric
#3	24"	#3	19"	ADD.	= Additional	#3	#10
#4	32"	#4	25"	B.O.W.	= Bottom of wall	#4	#13
#5	40"	#5	31"	C.B.	= Corros Bars	#5	#16
#6	48"	#6	37"	DIAG.	= Diagonal	#6	#19
#7	70"	#7	54"	D.O.	= Door Opening	#7	#22
#8	80"	#8	62"	DWLS.	= Dowels	#8	#25
#9	91"	#9	70"	E.F.	= Each Face	#9	#29
#10	102"	#10	79"	E.S.	= Each Side	#10	#32
#11	113"	#11	87"	E.W.	= Each Way	#11	#36
#14	-	#14	-	FTG.	= Footing		
				F.F.	= Far Face		
				HORIZ.	= Horizontal		
				I.F.	= Inside Face		
				INTERS.	= Intersection		
				L.W.	= long Way		
				N.F.	= Near Face		
				O.F.	= Outside Face		
				S.W.	= Short Way		
				T&B	= Top & Bottom		
				T.O.W.	= Top of Wall		
				Trans.	= Transverse		
				VERT.	= Vertical		

NYCTA A 37671
SOUTH VENTILATOR - DRIP SLAB REINFORCEMENT DETAILS
NEW YORK

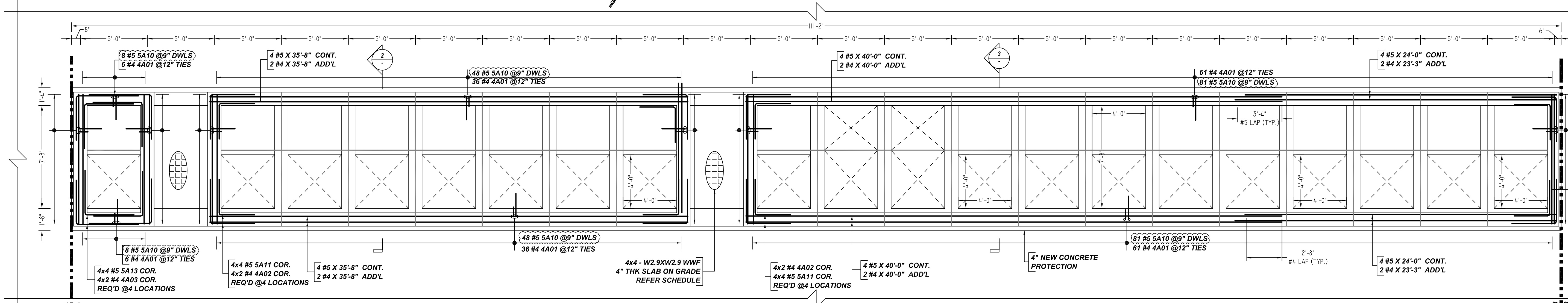
CUSTOMER: M. BHUIYAN CONSTRUCTION
DESIGNER: DEPARTMENT OF CAPITAL PROGRAM MANAGEMENT

DRAWN BY	DATE	JOB NO	SHEET NO.
RAJ/MET	07.30.21	M921P745	R03

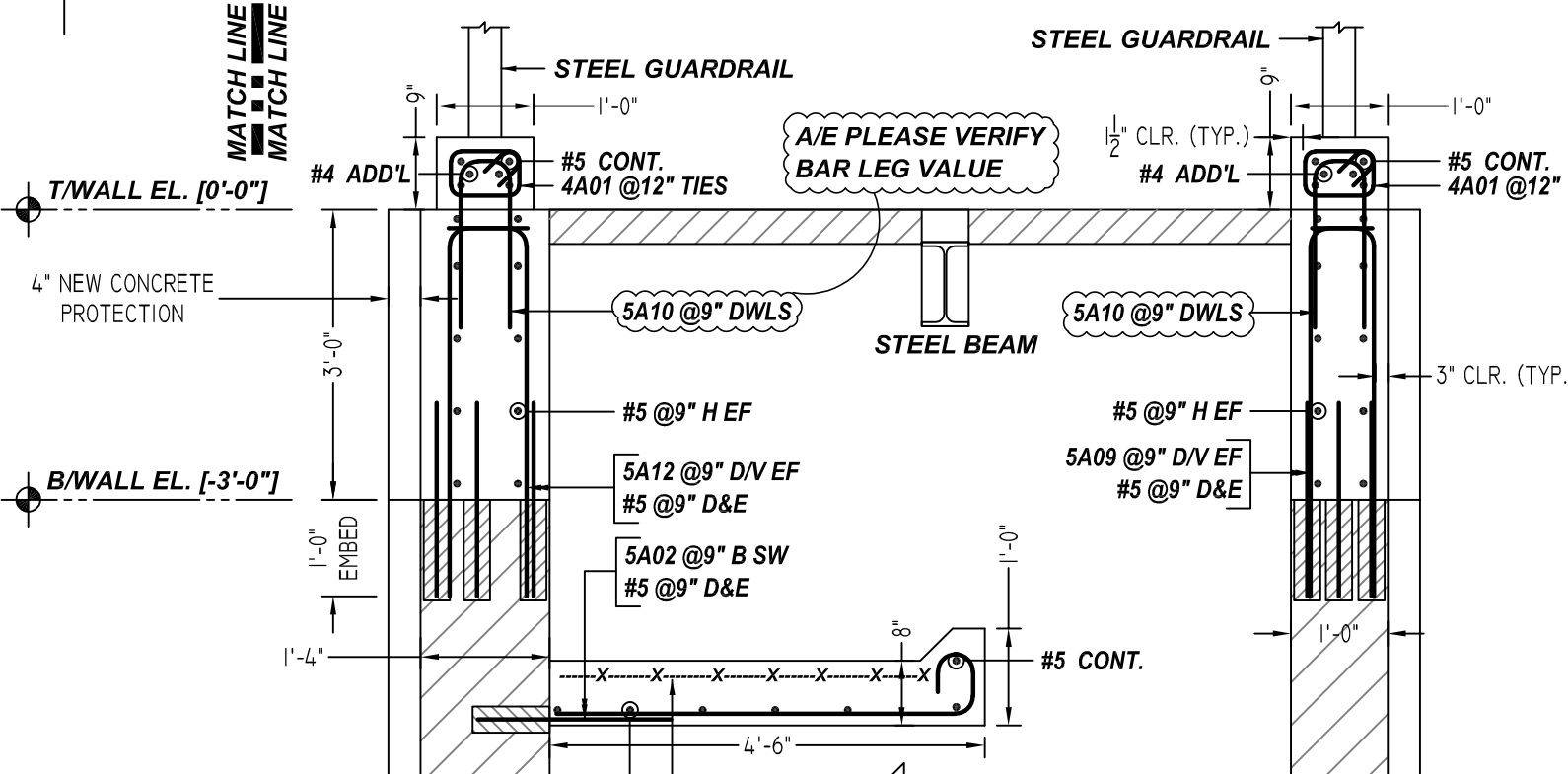
REV NO	DATE	APPROVAL	REV NO	DATE	SENT FOR
0	07.30.21				



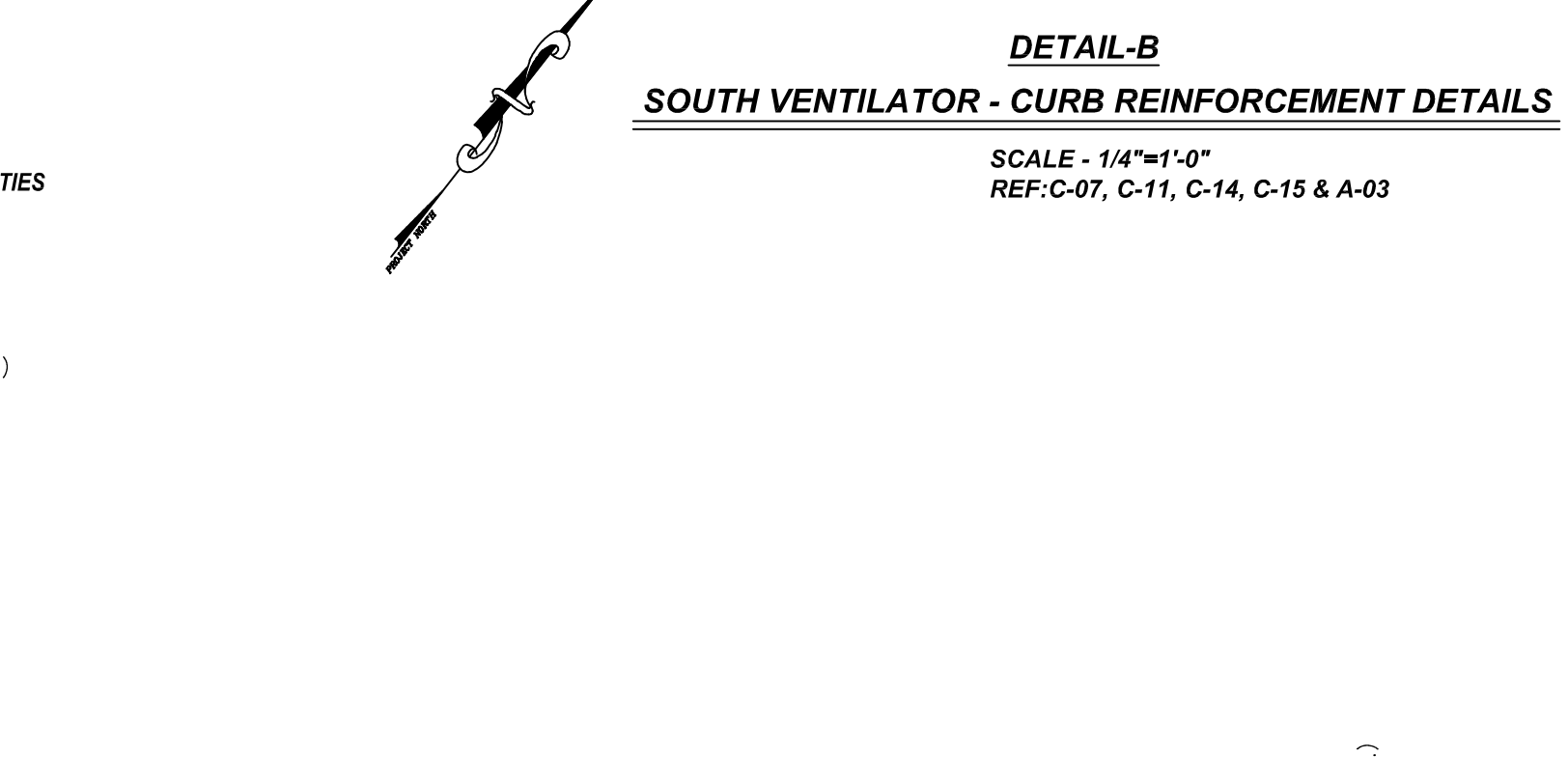
DETAIL-B
SOUTH VENTILATOR - NEW WALL REINFORCEMENT DETAILS
 SCALE - 1/4"=1'-0"
 REF: C-07, C-11, C-14, C-15 & A-03



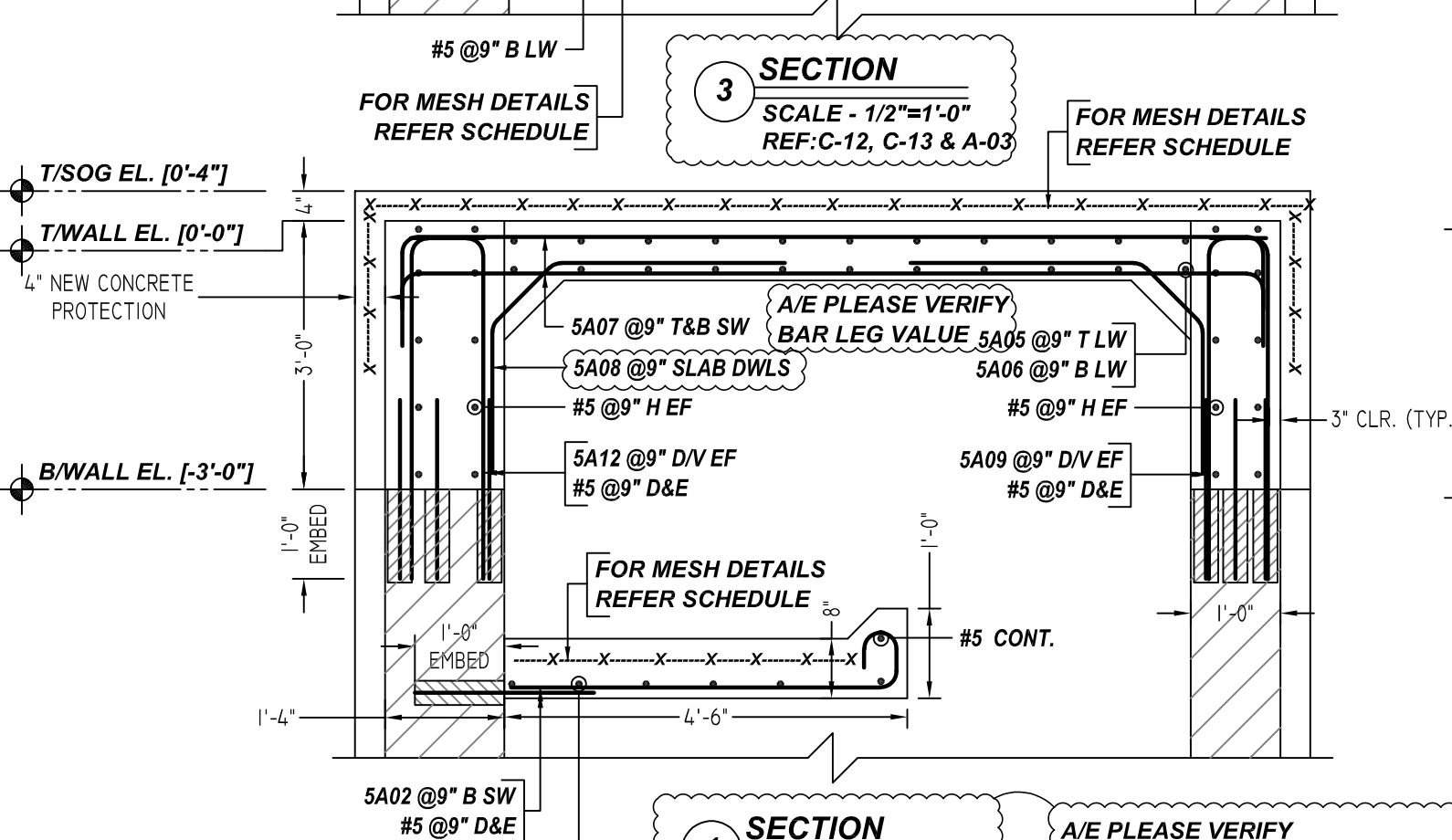
DETAIL-B
SOUTH VENTILATOR - CURB REINFORCEMENT DETAILS
 SCALE - 1/4"=1'-0"
 REF: C-07, C-11, C-14, C-15 & A-03



SECTION 1
 SCALE - 1/2"=1'-0"
 REF: C-07, C-08 & A-03



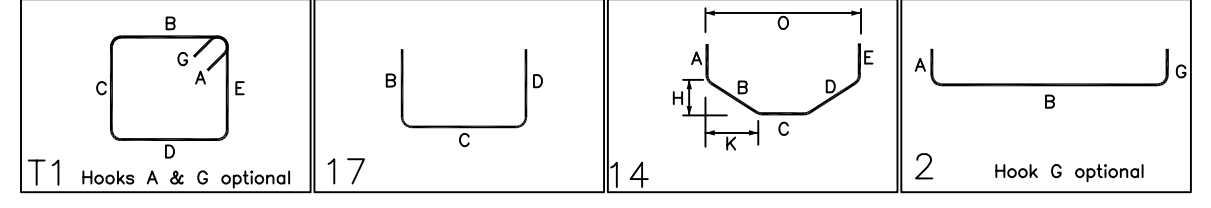
SECTION 2
 SCALE - 1/2"=1'-0"
 REF: C-10, C-11 & A-03



SECTION 3
 SCALE - 1/2"=1'-0"
 REF: C-12, C-13 & A-03

Release Number: 804

Bar Mark	Qty	Size	Total Length	Type	X'	Y'	Z'	X'	Y'	Z'	X'	Y'	Z'	X'	Y'	Z'
4A01	272	#4	3'-3"	11	0'-4 X	0'-6"	0'-5"	0'-5"	0'-8"	0'-4 X						
4A02	16	#4	5'-4"	17	0'-4 X	2'-8"	2'-8"									
4A03	8	#4	7'-0"	17	3'-8"	3'-4"										
5A08	32	#5	5'-3"	14	1'-8"	1'-0"	2'-7"			0'-8 X						
5A09	308	#5	4'-6"	17	0'-8"	0'-8"	3'-10"									
5A10	368	#5	4'-3"	17	1'-8"	0'-8 X	1'-8"									
5A11	72	#5	6'-2"	17	3'-4"	3'-4"										
5A12	298	#5	4'-8"	2	0'-10"	3'-10"	3'-4"									
5A13	16	#5	8'-0"	17	4'-8"	3'-4"										

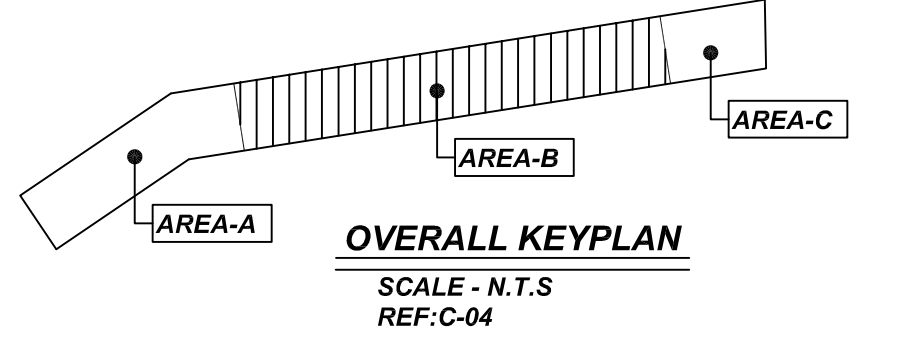


MESH DETAILS

S. NO	ELEMENT	MESH SIZE	SHEETS	AREA	REMARK
1	4" THK SLAB ON GRADE	4x4 - W2.9XW2.9 WWF	2	108 SQ.FT	8'-0 X 15'-0" SHEET SIZE (15% LAP ADDED)

NOTICE
 SHORTAGES, IMPROPER FABRICATION OR CLAIMS FOR ANY OTHER REASON MUST BE REPORTED TO THIS COMPANY WITHIN 10 DAYS FROM ORIGINAL DELIVERY. THIS COMPANY ALSO RESERVES THE RIGHT TO FIELD INSPECT MATERIALS PRIOR TO REPLACEMENT OR RECONDITIONING OF MATERIALS AND WILL NOT BE LIABLE FOR CHARGES FROM WORK DONE IN THE FIELD WITHOUT PRIOR AUTHORIZATION FROM THIS COMPANY.

REINFORCING STEEL PLACING DRAWING ONLY USE IN CONJUNCTION WITH CONTRACT DRAWINGS & SPECIFICATIONS. ELEVATIONS & DIMENSIONS SHOWN ON DRAWING ARE FOR DETAILING PURPOSES ONLY AND SHOULD NOT BE USED FOR CONSTRUCTION UNLESS VERIFIED BY ENGINEER OR CONTRACTOR.



ALL BARS IN THIS DRAWING
ASTM A615 GRADE 60
BLACK UNCOATED

REBAR GRADE 60 ASTM A-615

SPLICES USED

CLASS B 4,000 psi UNO

TOP BARS	OTHER BARS
#3 24"	#3 19"
#4 32"	#4 25"
#5 40"	#5 31"
#6 48"	#6 37"
#7 70"	#7 54"
#8 80"	#8 62"
#9 91"	#9 70"
#10 102"	#10 79"
#11 113"	#11 87"
#14 -	#14 -

ABBREVIATIONS

- ADD. = Additional
- B.O.W. = Bottom of wall
- C.B. = Corrus Bars
- DIAG. = Diagonal
- D.O. = Door Opening
- D.W.L.S. = Dowels
- E.F. = Each Face
- E.S. = Each Side
- E.W. = Each Way
- F.T.S. = Footing
- F.F. = Far Face
- HORIZ. = Horizontal
- I.F. = Inside Face
- INTERS. = Intersection
- L.W. = long Way
- N.F. = Near Face
- O.F. = Outside Face
- S.W. = Short Way
- T&B = Top & Bottom
- T.O.W. = Top of Wall
- Trans. = Transverse
- VERT. = Vertical

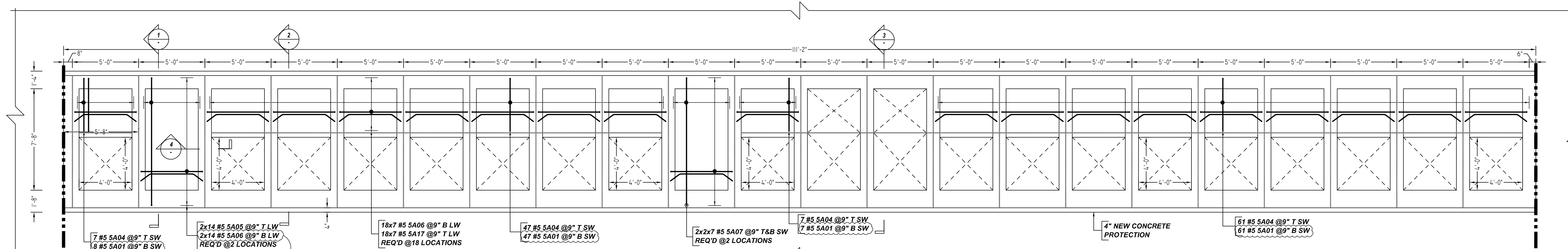
BAR MARK SIZE EQUIVALENT

Imperial	Soft Metric
#3	#10
#4	#13
#5	#16
#6	#19
#7	#22
#8	#25
#9	#29
#10	#32
#11	#36

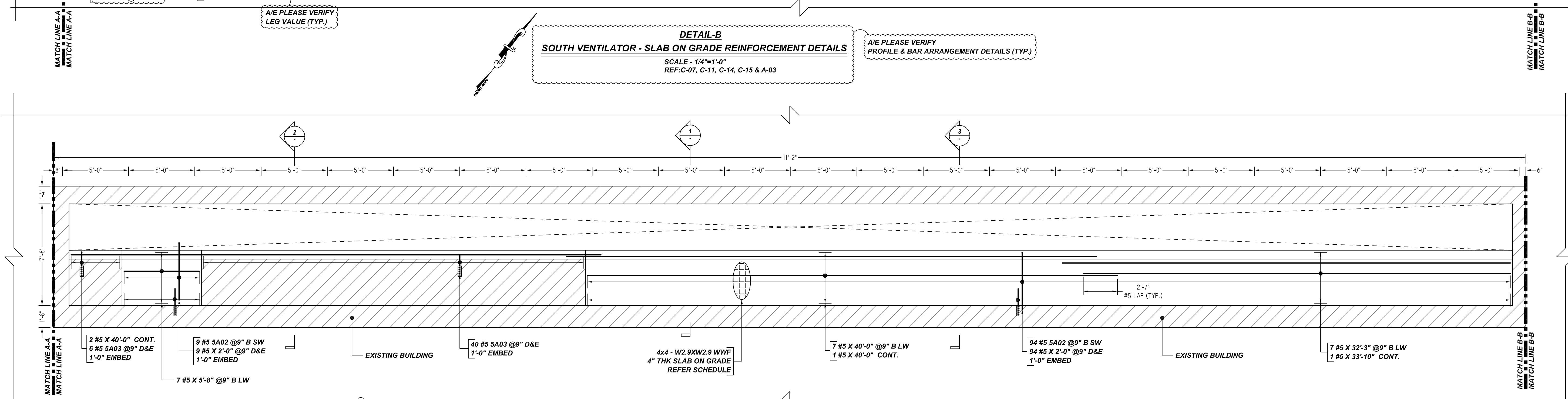
NYCTA A 37671
 SOUTH VENTILATOR - NEW WALL & SLAB ON GRADE REINFORCEMENT DETAILS
NEW YORK
 CUSTOMER: M. BHUIYAN CONSTRUCTION
 DESIGNER: DEPARTMENT OF CAPITAL PROGRAM MANAGEMENT

REV NO	DATE	APPROVAL	REV NO	DATE	SENT FOR
0	07.30.21				

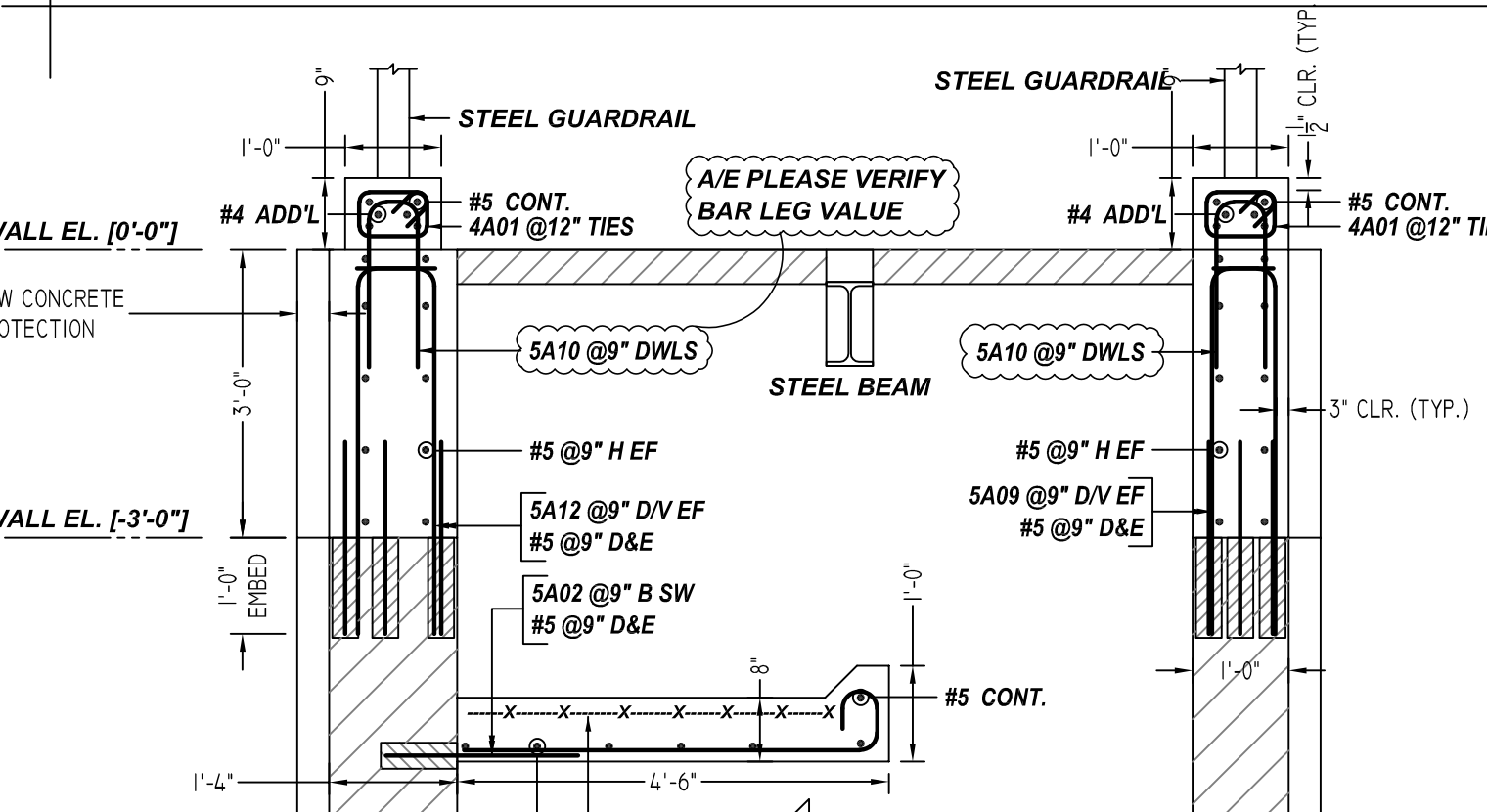
DRAWN BY	DATE	JOB NO	SHEET NO.
RAJ/MET	07.30.21	M921P745	R04



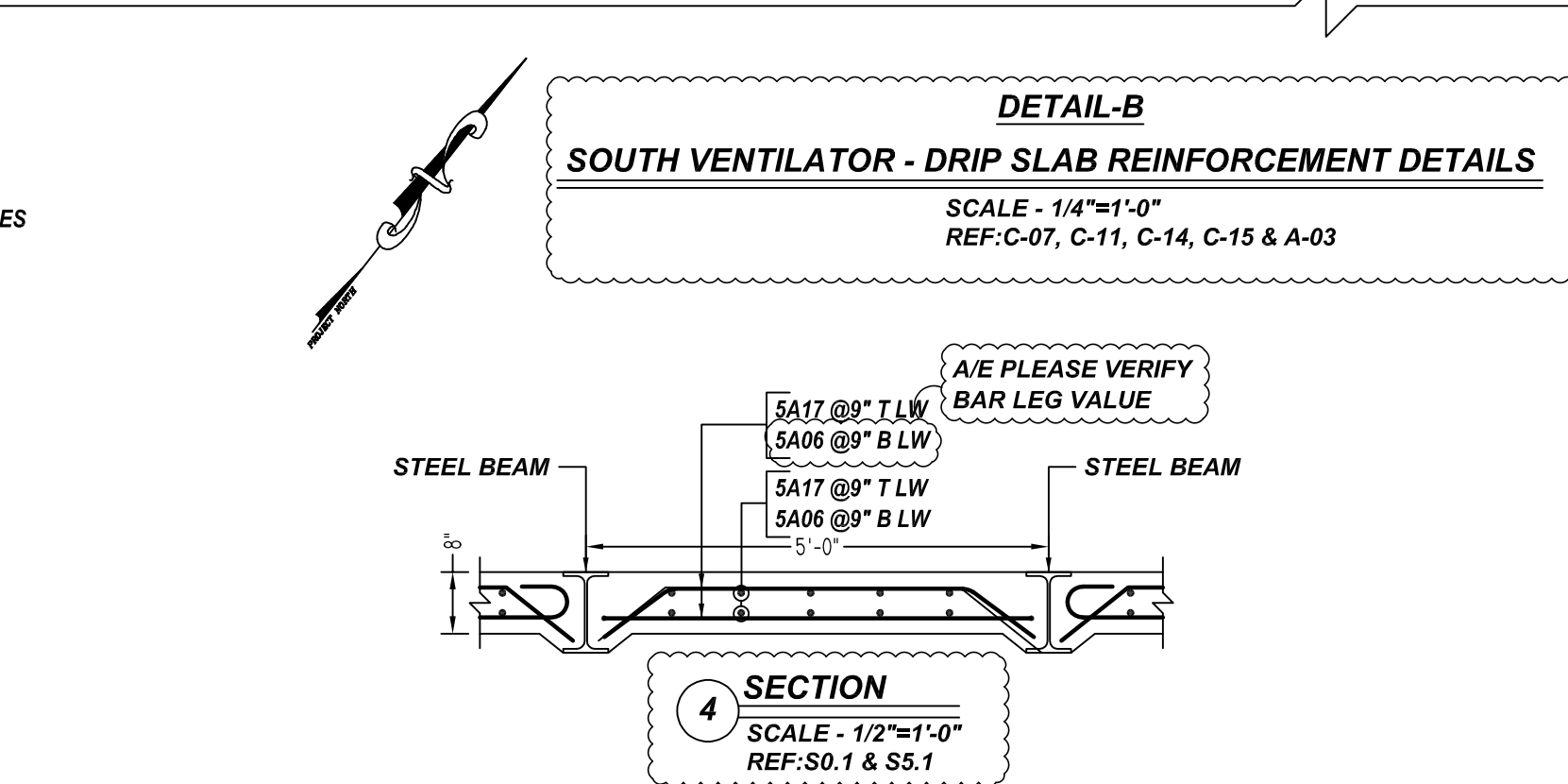
DETAIL-B
SOUTH VENTILATOR - SLAB ON GRADE REINFORCEMENT DETAILS
 SCALE - 1/4"=1'-0"
 REF: C-07, C-11, C-14, C-15 & A-03



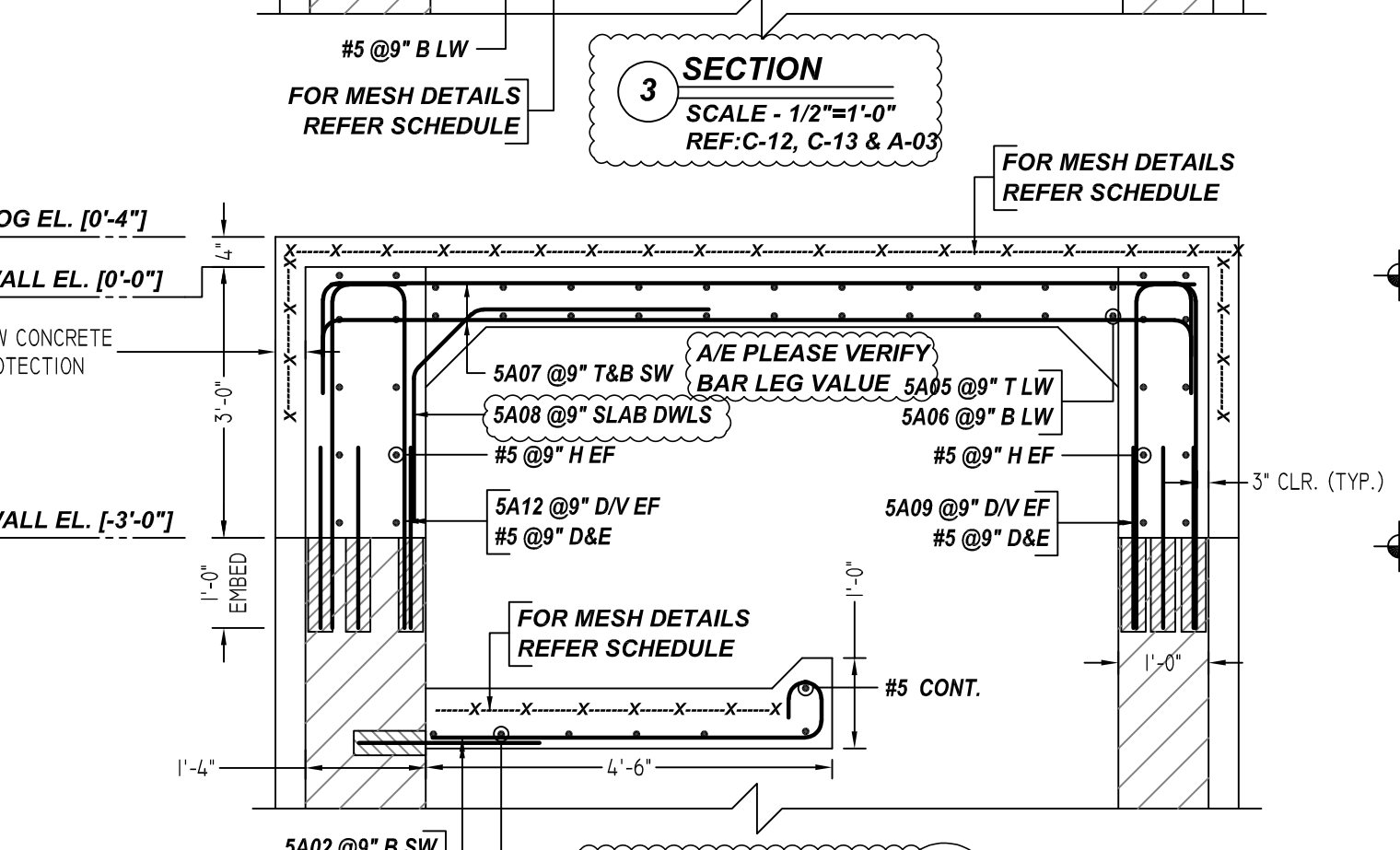
DETAIL-B
SOUTH VENTILATOR - DRIP SLAB REINFORCEMENT DETAILS
 SCALE - 1/4"=1'-0"
 REF: C-07, C-11, C-14, C-15 & A-03



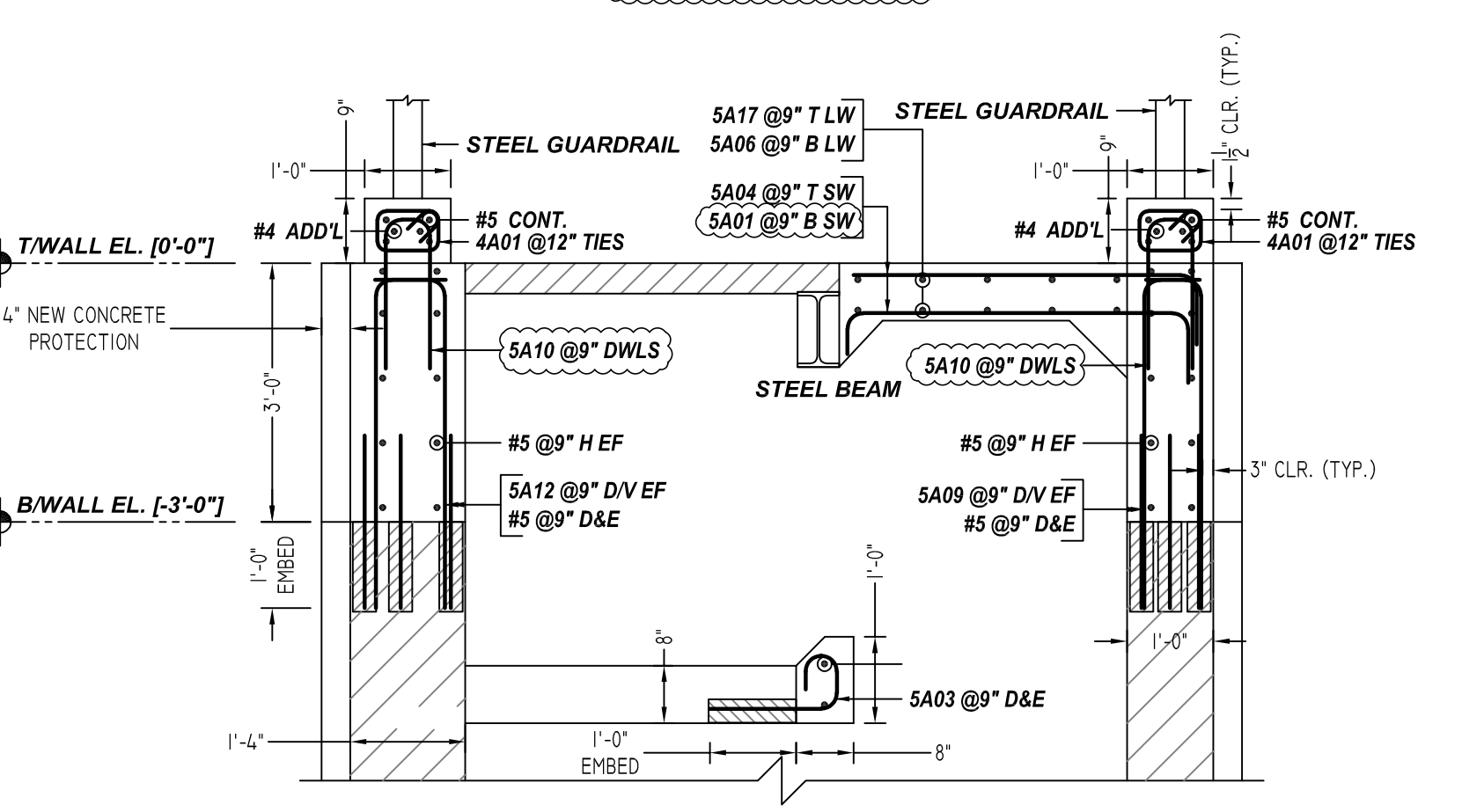
3 SECTION
 SCALE - 1/2"=1'-0"
 REF: C-12, C-13 & A-03



4 SECTION
 SCALE - 1/2"=1'-0"
 REF: S0.1 & S5.1



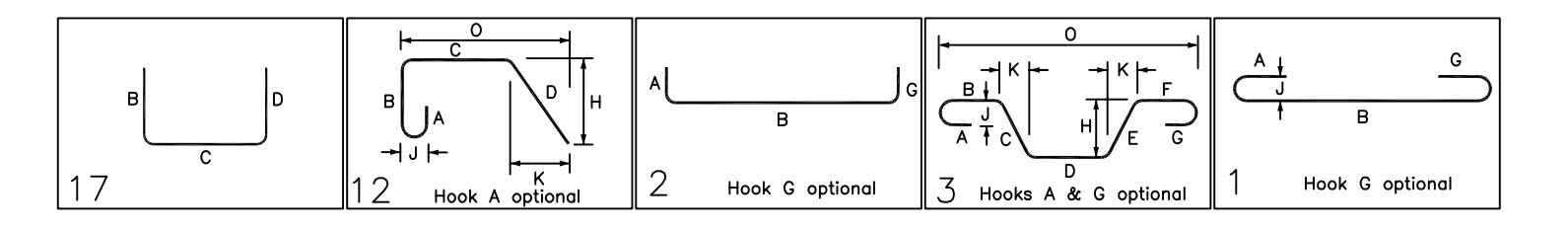
1 SECTION
 SCALE - 1/2"=1'-0"
 REF: C-07, C-08 & A-03



2 SECTION
 SCALE - 1/2"=1'-0"
 REF: C-10, C-11 & A-03

Rebar Number: R05

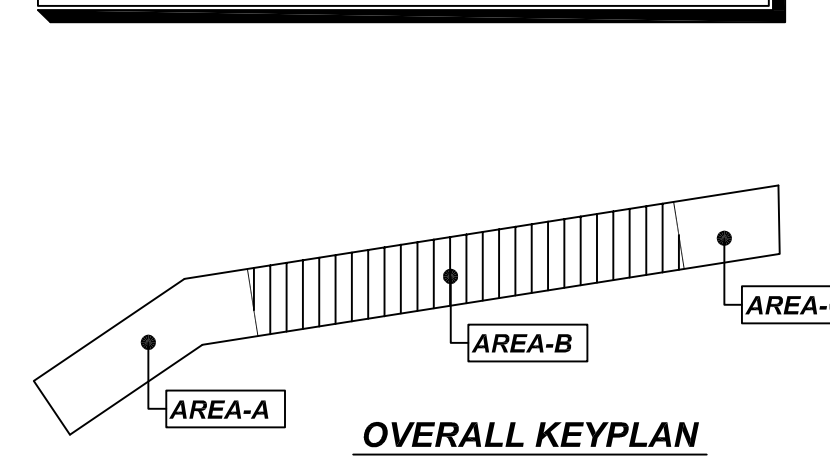
Bar Mark	Qty	Size	Total Length	Type	X	Y	Z	BENDING DETAILS
SA01	123	#5	5'-4"	17	0'-10"	4'-0"	0'-4"	
SA02	103	#5	5'-7"	12	0'-7"	0'-8"	4'-4"	
SA03	46	#5	2'-0"	12	0'-7"	0'-8"	1'-4"	
SA04	122	#5	4'-10"	2	0'-10"	4'-0"		
SA05	28	#5	4'-11"	3	0'-10"	0'-10"	3'-3"	0'-10"
SA06	154	#5	5'-10"	1	0'-7"	4'-8"		0'-7"
SA07	28	#5	11'-4"	2	0'-10"	9'-8"		0'-10"
SA08	128	#5	4'-11"	3	0'-10"	3'-5"	0'-10"	0'-6"



MESH DETAILS

S. NO	ELEMENT	MESH SIZE	SHEETS	AREA	REMARK
1	8" THK DRIP SLAB	4x4 - W2.9XW2.9 WWF	3	270 SQ.FT	8'-0" X 15'-0" SHEET SIZE (15% LAP ADDED)

ALL BARS IN THIS DRAWING
ASTM A615 GRADE 60
BLACK UNCOATED



OVERALL KEYPLAN
 SCALE - N.T.S
 REF: C-04

REBAR GRADE 60 ASTM A-615

SPLICES USED		ABBREVIATIONS		BAR MARK SIZE EQUIVALENT	
CLASS B 4,000 psi UNO				Imperial	Soft Metric
TOP BARS	OTHER BARS	ADD.	Additional	#3	#10
#3 24"	#3 19"	B.O.W.	Bottom of wall	#4	#13
#4 32"	#4 25"	C.B.	Center Bars	#5	#16
#5 40"	#5 31"	DIAG.	Diagonal	#6	#19
#6 48"	#6 37"	D.O.	Door Opening	#7	#22
#7 70"	#7 54"	D.W.L.S.	Dowels	#8	#25
#8 80"	#8 62"	E.F.	Each Face	#9	#29
#9 91"	#9 70"	E.S.	Each Side	#10	#32
#10 102"	#10 79"	E.W.	Each Way	#11	#36
#11 113"	#11 87"	F.F.	Far Face		
#14 -	#14 -	HORIZ.	Horizontal		
		I.F.	Inside Face		
		INTERS.	Intersection		
		L.W.	Long Way		
		N.F.	Near Face		
		O.F.	Outside Face		
		S.W.	Short Way		
		T&B	Top & Bottom		
		T.O.W.	Top of Wall		
		Trans.	Transverse		
		VERT.	Vertical		

NOTICE
 SHORTAGES, IMPROPER FABRICATION OR CLAIMS FOR ANY OTHER REASON MUST BE REPORTED TO THIS COMPANY WITHIN 10 DAYS FROM ORIGINAL DELIVERY. THIS COMPANY ALSO RESERVES THE RIGHT TO FIELD INSPECT MATERIALS PRIOR TO REPLACEMENT OR RECONDITIONING OF MATERIALS AND WILL NOT BE LIABLE FOR CHARGES FROM WORK DONE IN THE FIELD WITHOUT PRIOR AUTHORIZATION FROM THIS COMPANY.

REINFORCING STEEL PLACING DRAWING ONLY. USE IN CONJUNCTION WITH CONTRACT DRAWINGS & SPECIFICATIONS. ELEVATIONS & DIMENSIONS SHOWN ON DRAWING ARE FOR DETAILING PURPOSES ONLY AND SHOULD NOT BE USED FOR CONSTRUCTION UNLESS VERIFIED BY ENGINEER OR CONTRACTOR.

NYCTA A 37671
 SOUTH VENTILATOR - DRIP SLAB & SLAB ON GRADE REINFORCEMENT DETAILS
NEW YORK
 CUSTOMER: M. BHUIYAN CONSTRUCTION
 DESIGNER: DEPARTMENT OF CAPITAL PROGRAM MANAGEMENT

REV NO	DATE	APPROVAL	SENT FOR	REV NO	DATE	SENT FOR
0	07.30.21					

DRAWN BY	DATE	JOB NO	SHEET NO.
RAJ/MET	07.30.21	M921P745	R05

