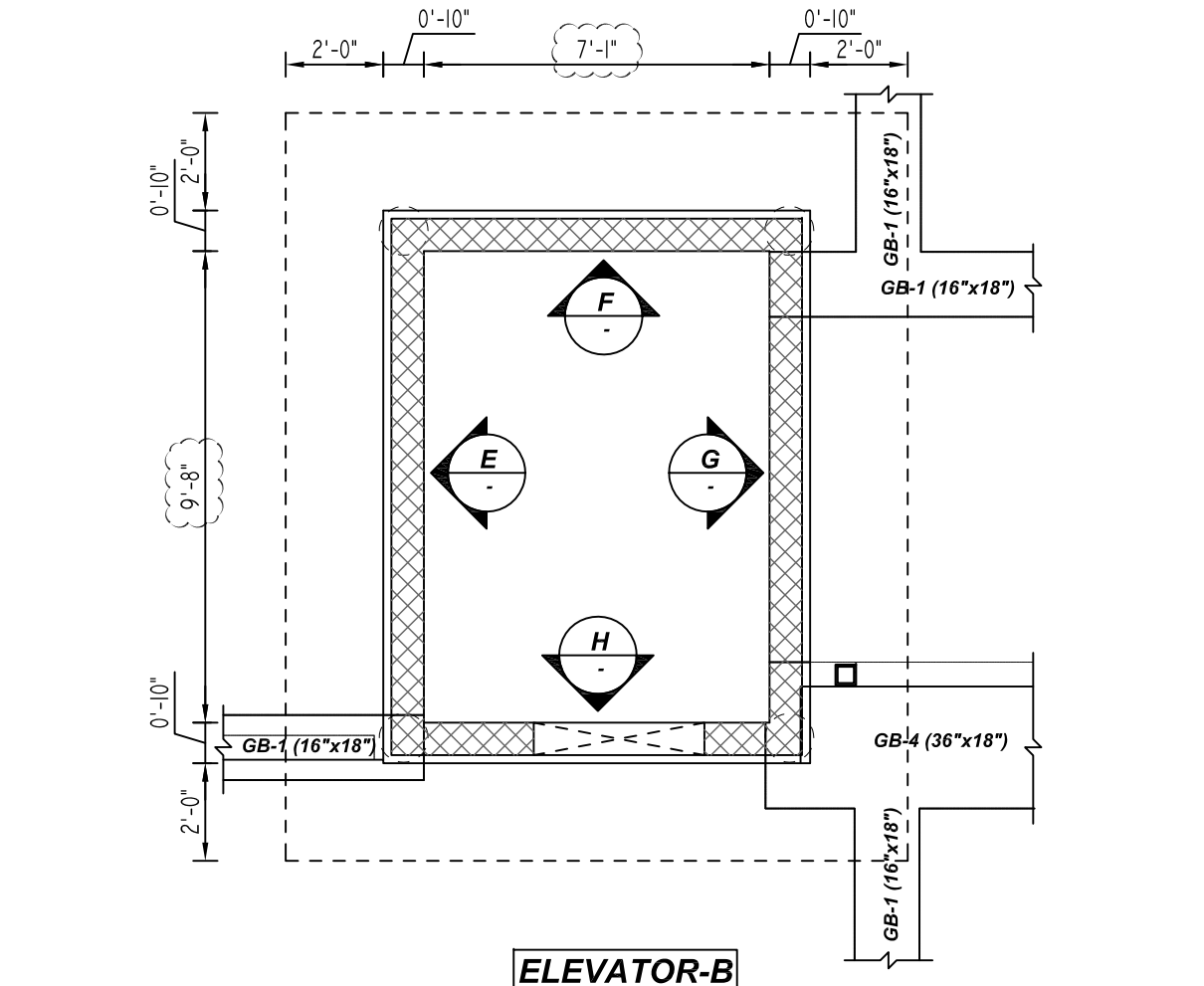
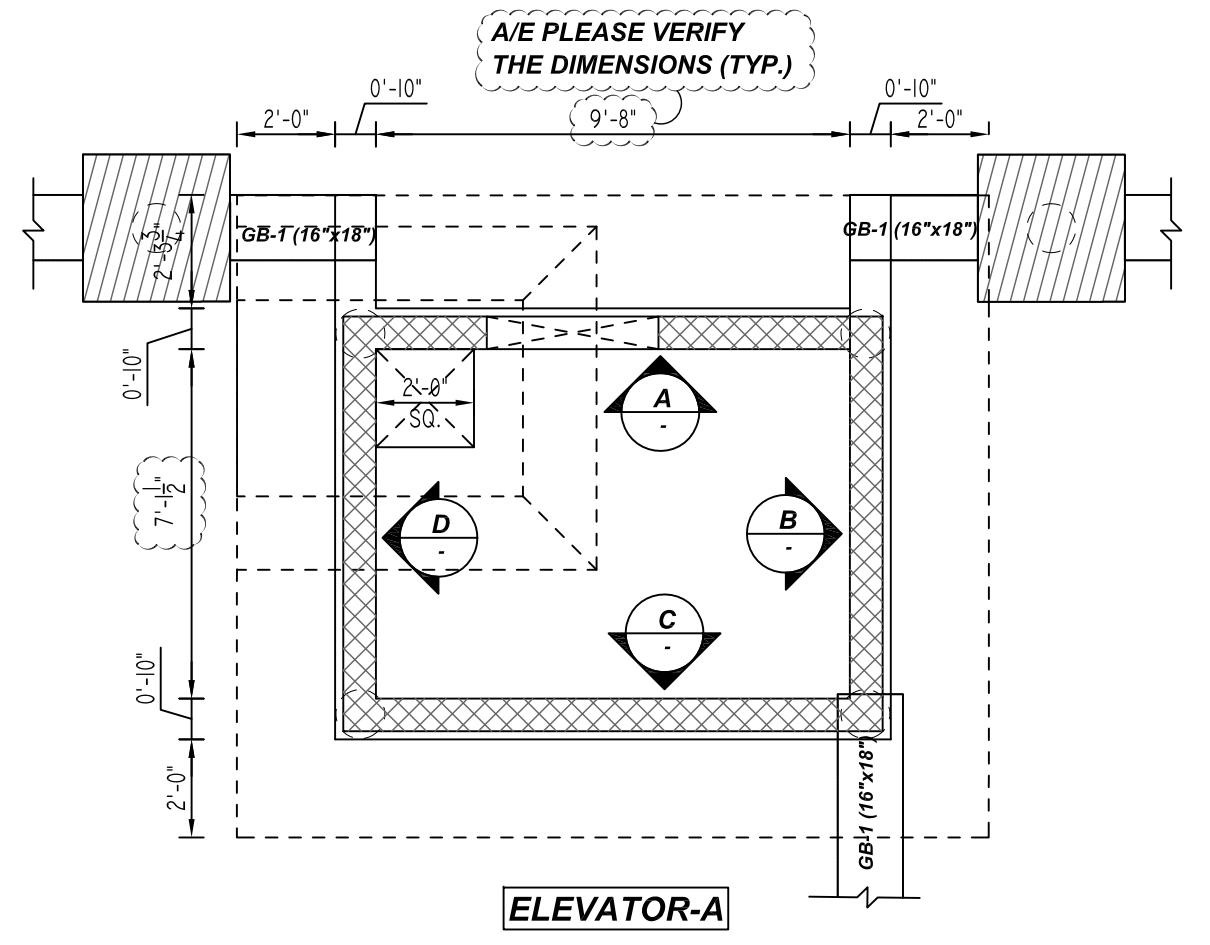
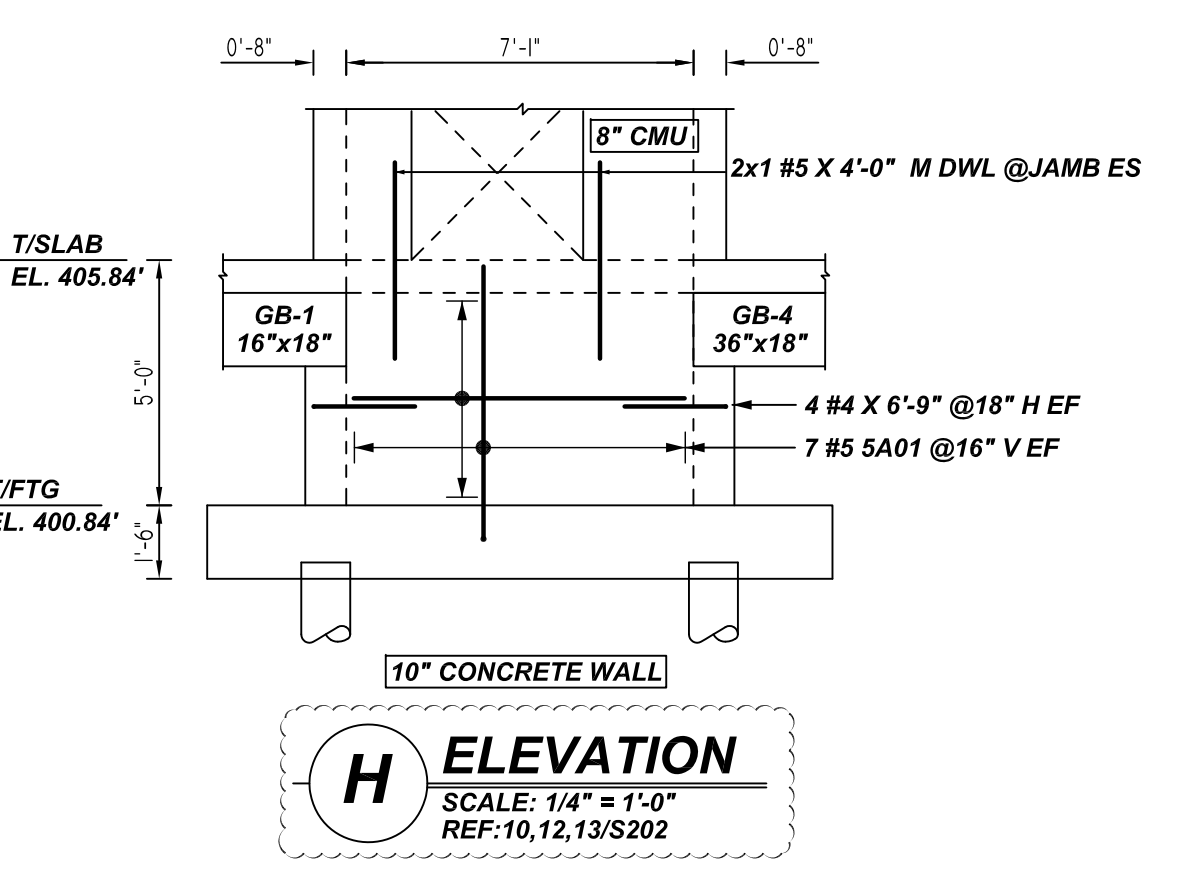
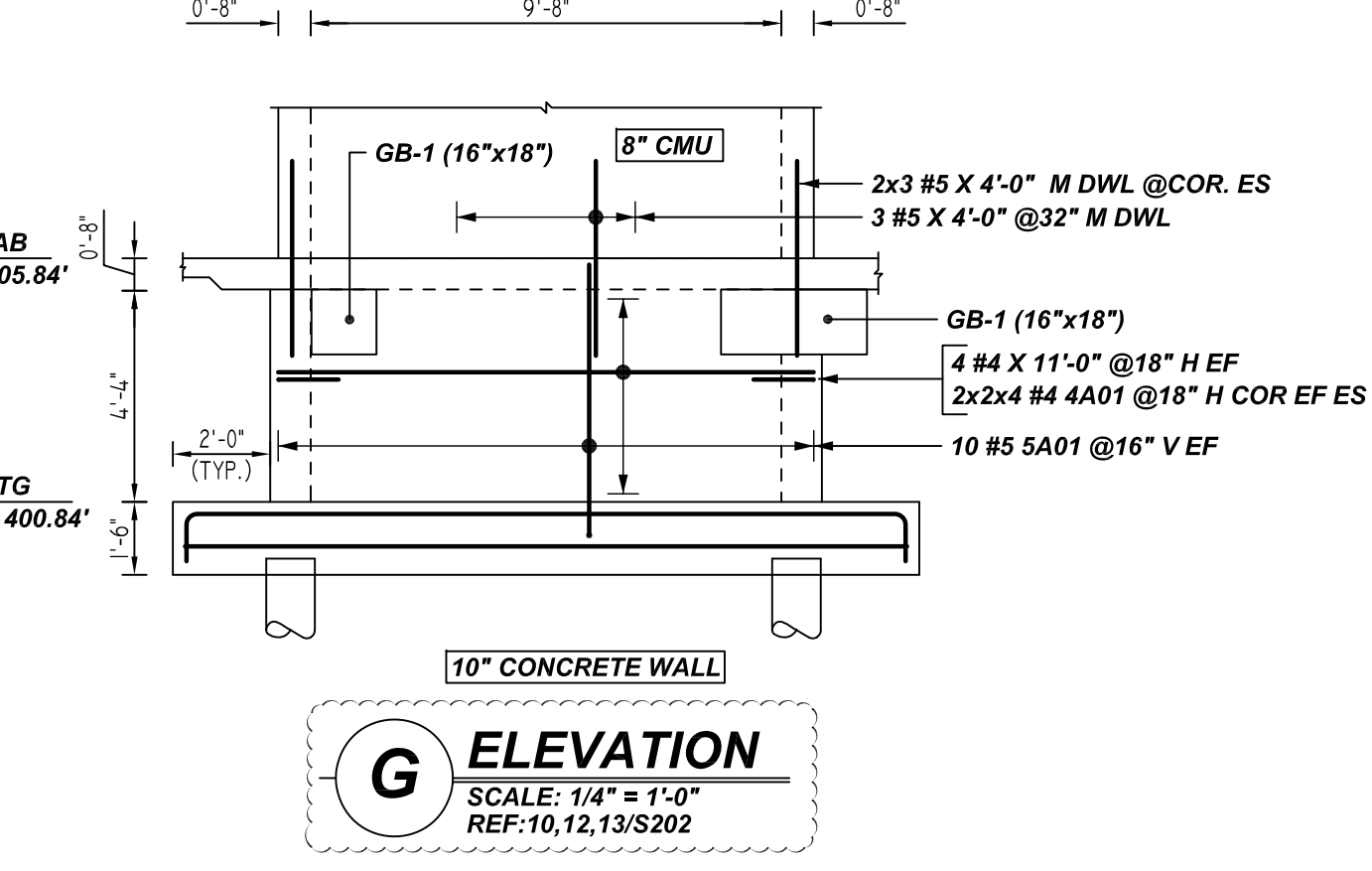
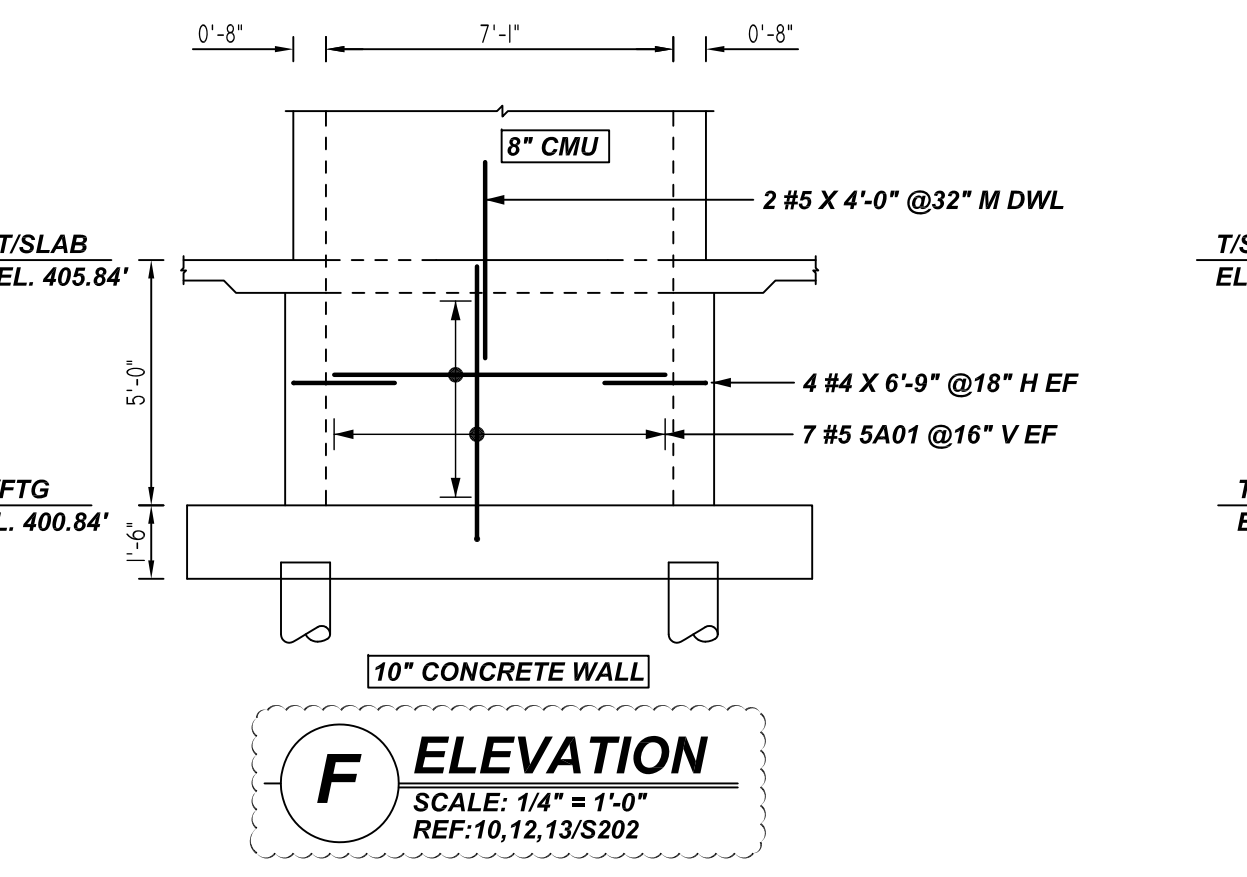
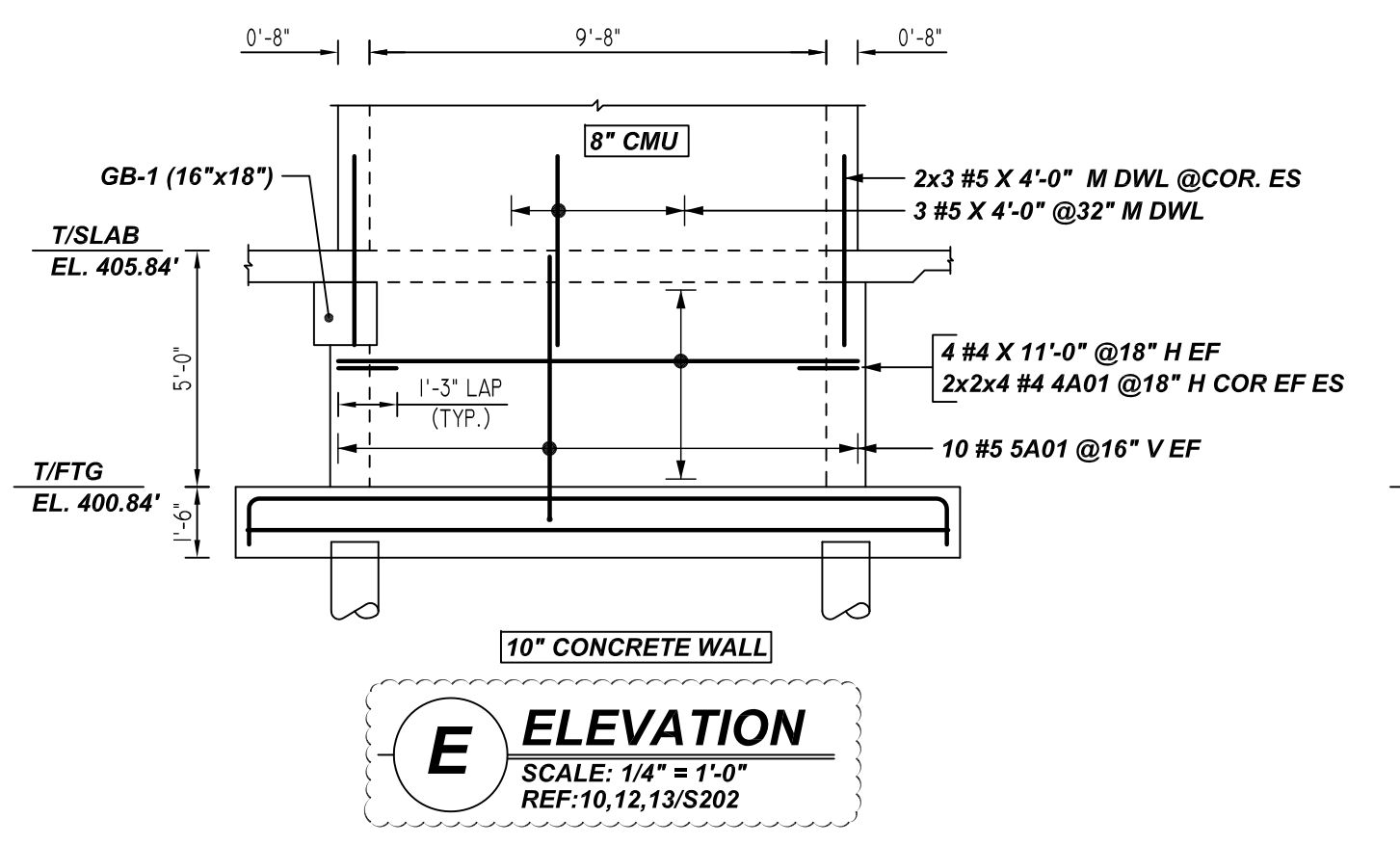
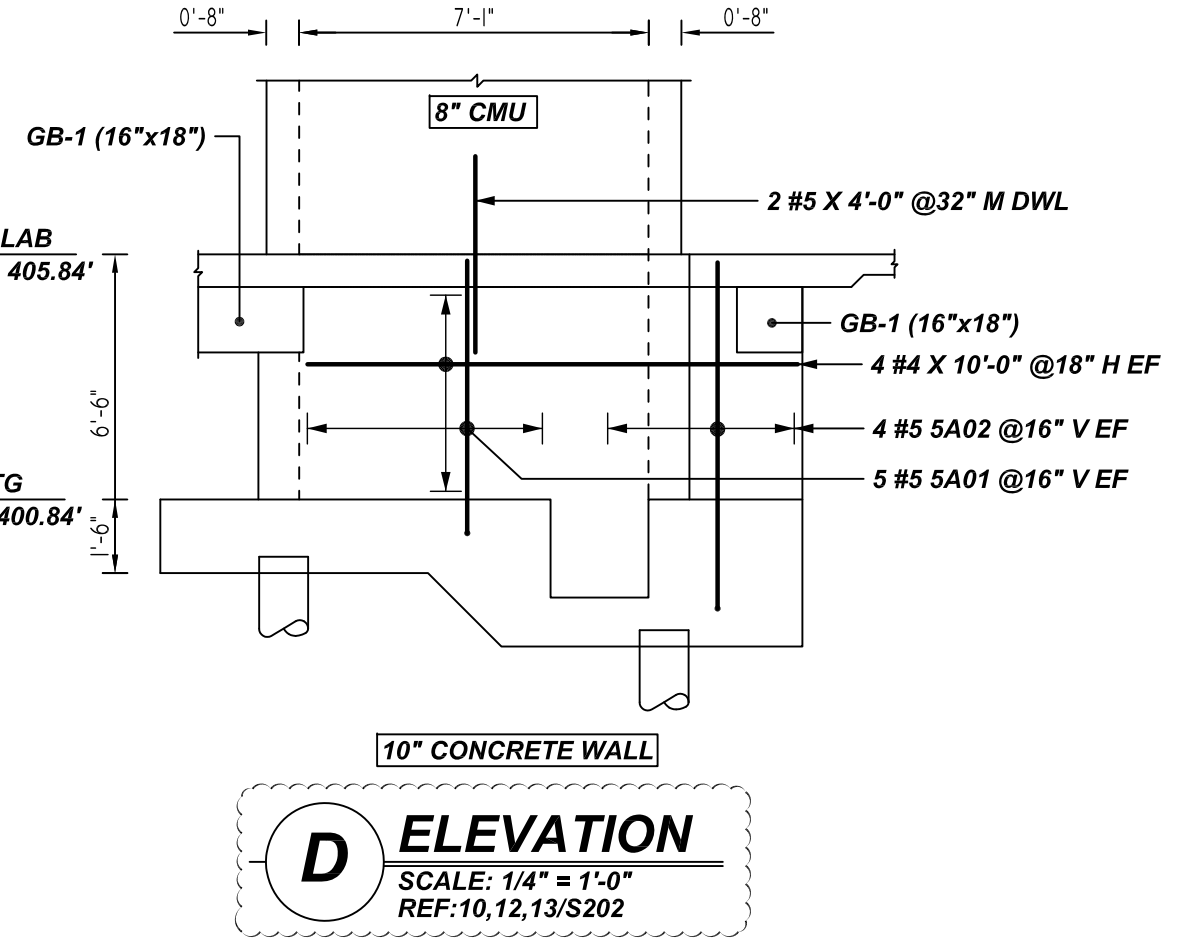
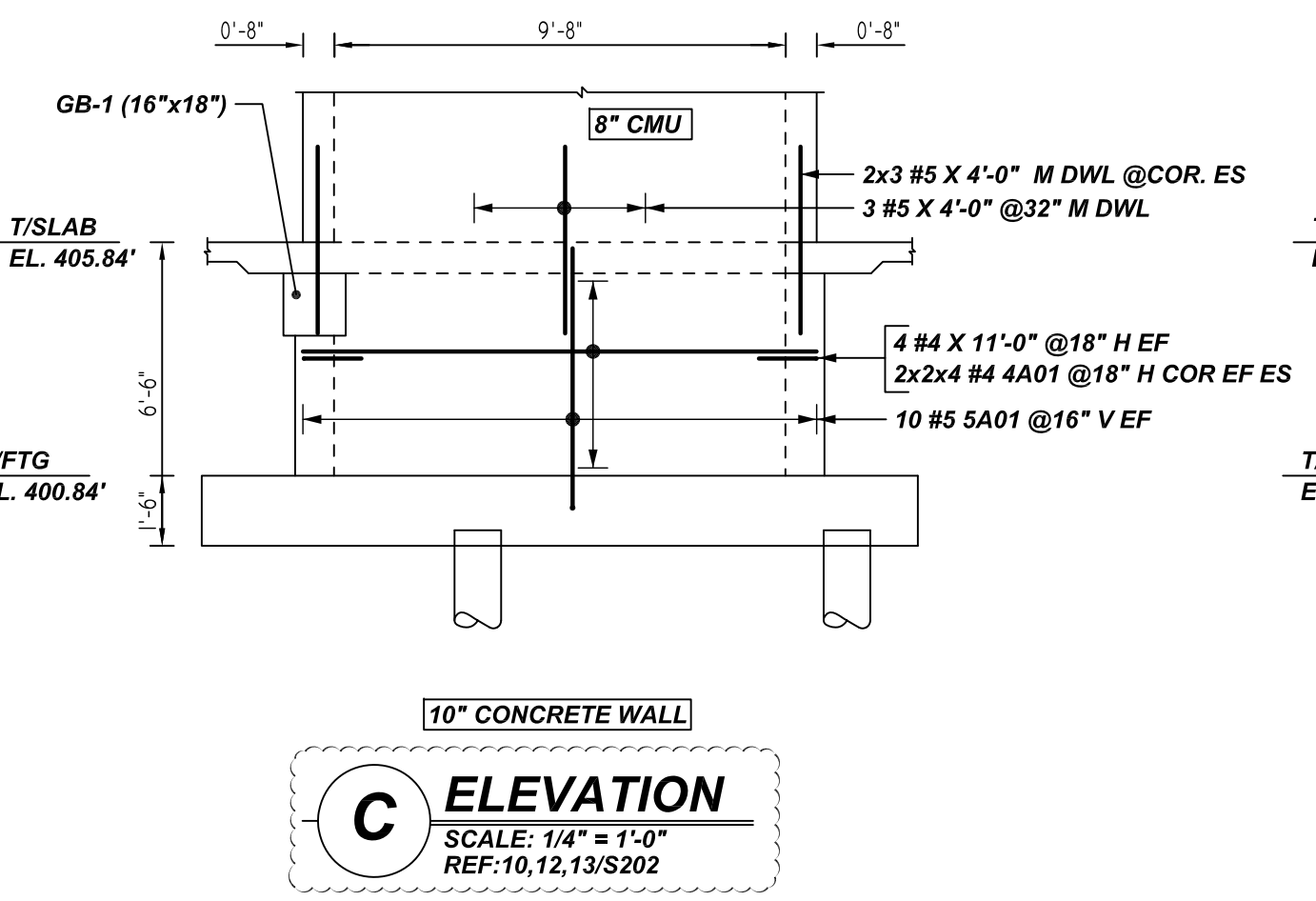
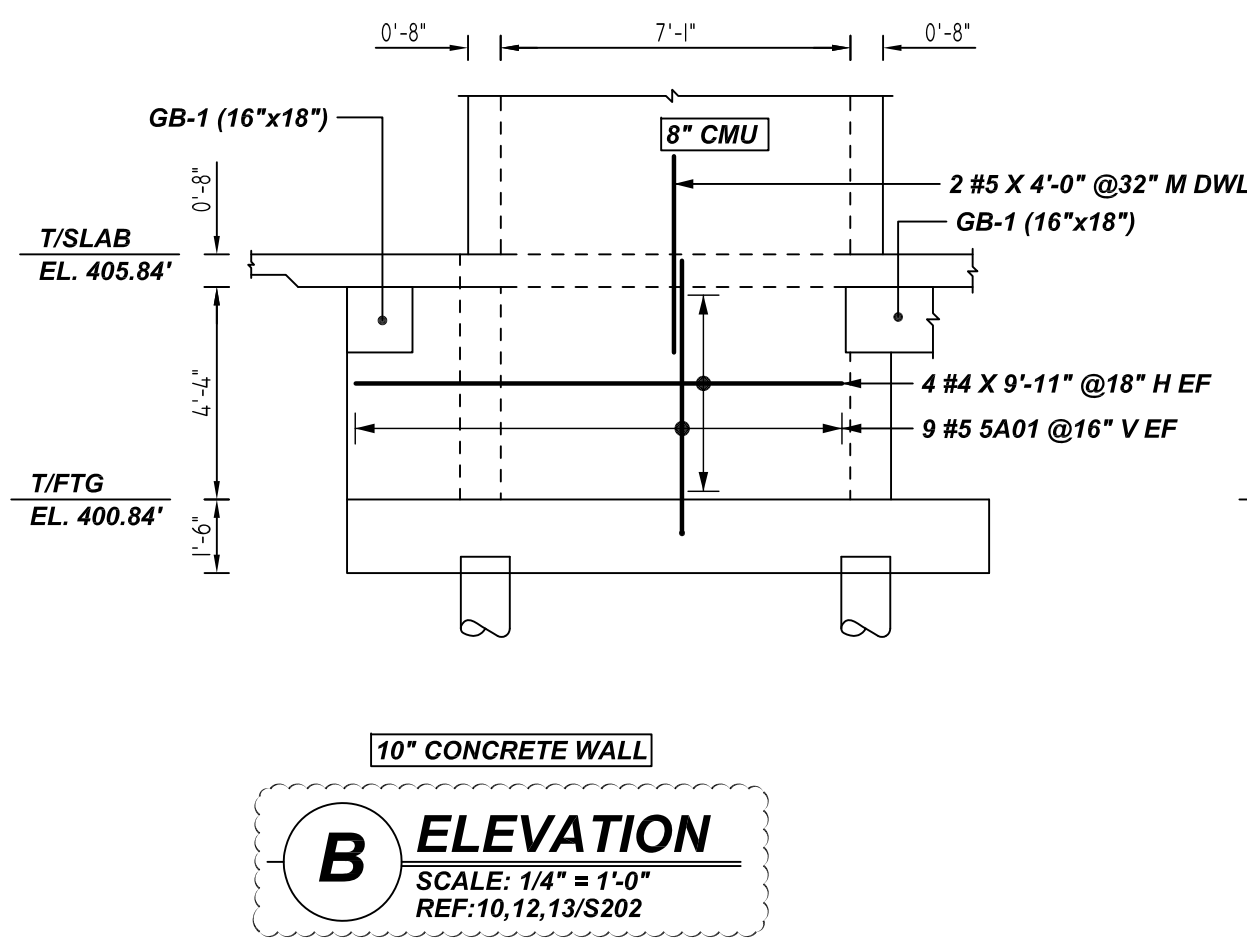
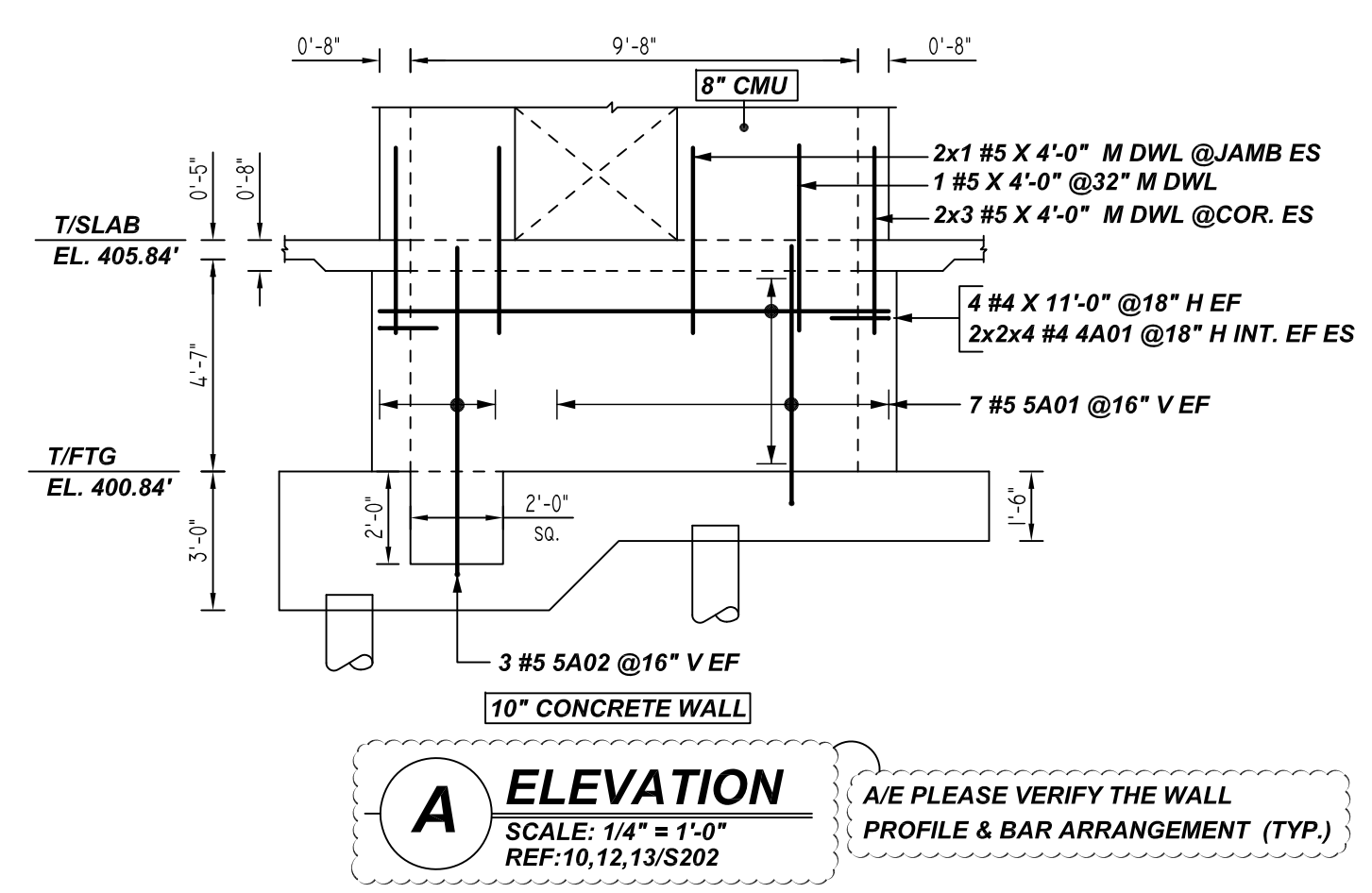


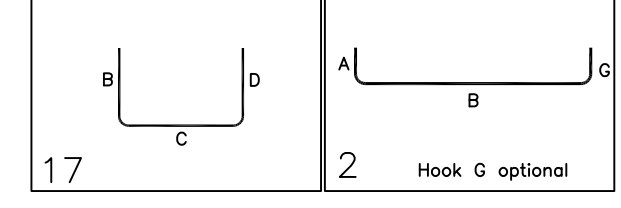


**NOTICE**  
 SHORTAGES, IMPROPER FABRICATION OR CLAIMS FOR ANY OTHER REASON MUST BE REPORTED TO THIS COMPANY WITHIN 10 DAYS FROM ORIGINAL DELIVERY. THIS COMPANY ALSO RESERVES THE RIGHT TO FIELD INSPECT MATERIALS PRIOR TO REPLACEMENT OR RECONDITIONING OF MATERIALS AND WILL NOT BE LIABLE FOR CHARGES FROM WORK DONE IN THE FIELD WITHOUT PRIOR AUTHORIZATION FROM THIS COMPANY.

REINFORCING STEEL PLACING DRAWING ONLY. USE IN CONJUNCTION WITH CONTRACT DRAWINGS & SPECIFICATIONS. ELEVATIONS & DIMENSIONS SHOWN ON DRAWING ARE FOR DETAILING PURPOSES ONLY AND SHOULD NOT BE USED FOR CONSTRUCTION UNLESS VERIFIED BY ENGINEER OR CONTRACTOR.



Bar Mark	Qty	Size	Total Length	Type	X	Y	Z	REINFORCING DETAILS															
4A01	64	#4	3'-4"	17		1'-3"	2'-1"																
5A01	65	#5	6'-5"	2	0'-10"	5'-7"																	
5A02	7	#5	7'-11"	2	0'-10"	7'-1"																	



**FOUNDATION LAP SCHEDULE WALL LAP SCHEDULE**

3000 PSI (CLASS-B) CASE - 1  
 Per ACI :318 (12.2.2)

BAR#	LENGTHS	
	TOP	OTHERS
#3	2'-4"	1'-10"
#4	3'-2"	2'-5"
#5	3'-11"	3'-0"
#6	4'-8"	3'-7"
#7	6'-9"	5'-3"
#8	7'-9"	6'-0"

Per ACI :318 (12.2.2)

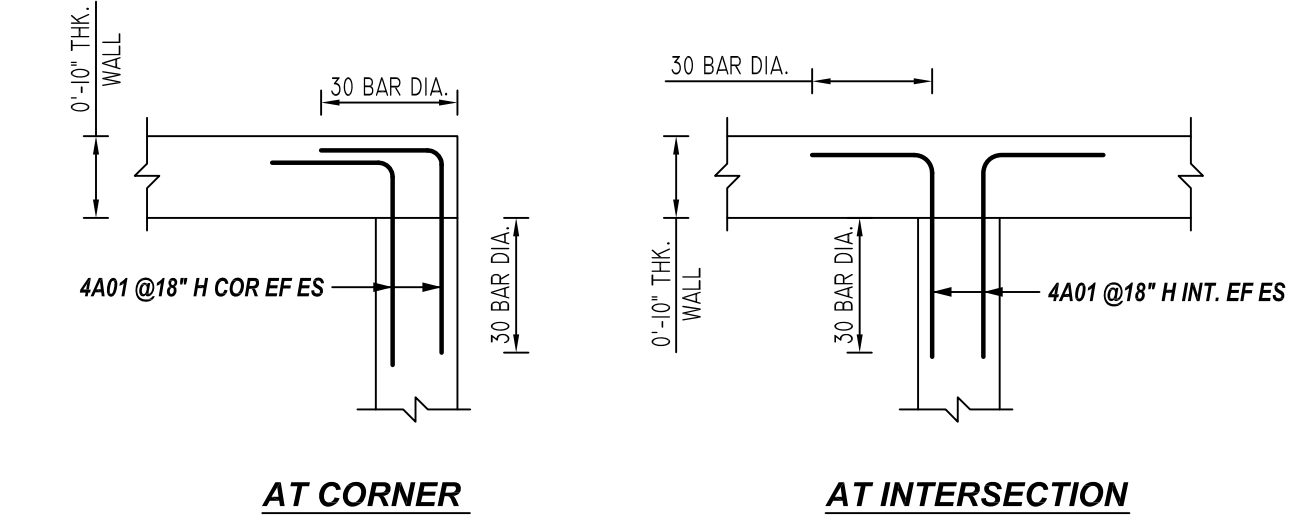
BAR#	LENGTHS	
	30 x BAR DIA	OTHERS
#3	1'-0"	
#4	1'-3"	
#5	1'-7"	
#6	1'-11"	
#7	2'-3"	
#8	2'-6"	

TYPICAL REINFORCING BAR CLEARANCE TABLE

LOCATION	MIN. COVER
FOOTING SIDE & BOTTOM	3" CLR
FOOTING TOP	2" CLR
WALL SIDE	2" CLR

A/E PLEASE VERIFY THE COVER

**ALL BARS IN THIS DRAWING  
 ASTM A615 GRADE 60  
 BLACK UNCOATED**



**TYPICAL WALL DETAILS**  
 REF: 12/S201 (DT. 08/06/21)  
 SCALE: 1/2" = 1'-0"

**REBAR GRADE 60 ASTM A-615**

**SPLICES USED**

CLASS B 4,000 psi UNO

TOP BARS	OTHER BARS	ABBREVIATIONS	BAR MARK SIZE EQUIVALENT	
#3	#3	ADD. = Additional	Imperial	Soft Metric
#4	#4	B.O.W. = Bottom of wall	#3	#10
#5	#5	C.B. = Corner Bars	#4	#13
#6	#6	DIAG. = Diagonal	#5	#16
#7	#7	D.O. = Door Opening	#6	#19
#8	#8	DWLS. = Dowels	#7	#22
#9	#9	E.F. = Each Face	#8	#25
#10	#10	E.S. = Each Side	#9	#29
#11	#11	E.W. = Each Way	#10	#32
#14	#14	F.T.G. = Footing	#11	#36
		F.F. = Far Face		
		HORIZ. = Horizontal		
		I.F. = Inside Face		
		INTERS. = Intersection		
		L.W. = Long Way		
		N.F. = Near Face		
		O.F. = Outside Face		
		S.W. = Short Way		
		T&B = Top & Bottom		
		T.O.W. = Top of Wall		
		Trans. = Transverse		
		VERT. = Vertical		

**COLD SPRING LANE**  
 ELEVATOR PIT REINFORCEMENT DETAILS  
**BALTIMORE, MD 21215**

CUSTOMER: CAMM CONCRETE  
 DESIGNER: -

REV NO	DATE	SENT FOR	REV NO	DATE	SENT FOR
0	09.20.22	APPROVAL			

DRAWN BY	DATE	JOB NO	SHEET NO.
RTP/SS	09.20.22	M9227-795P	R02