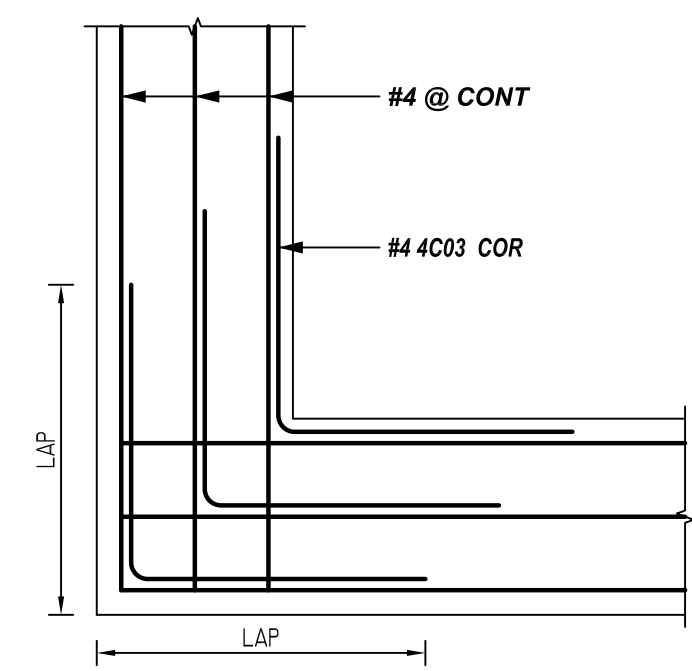
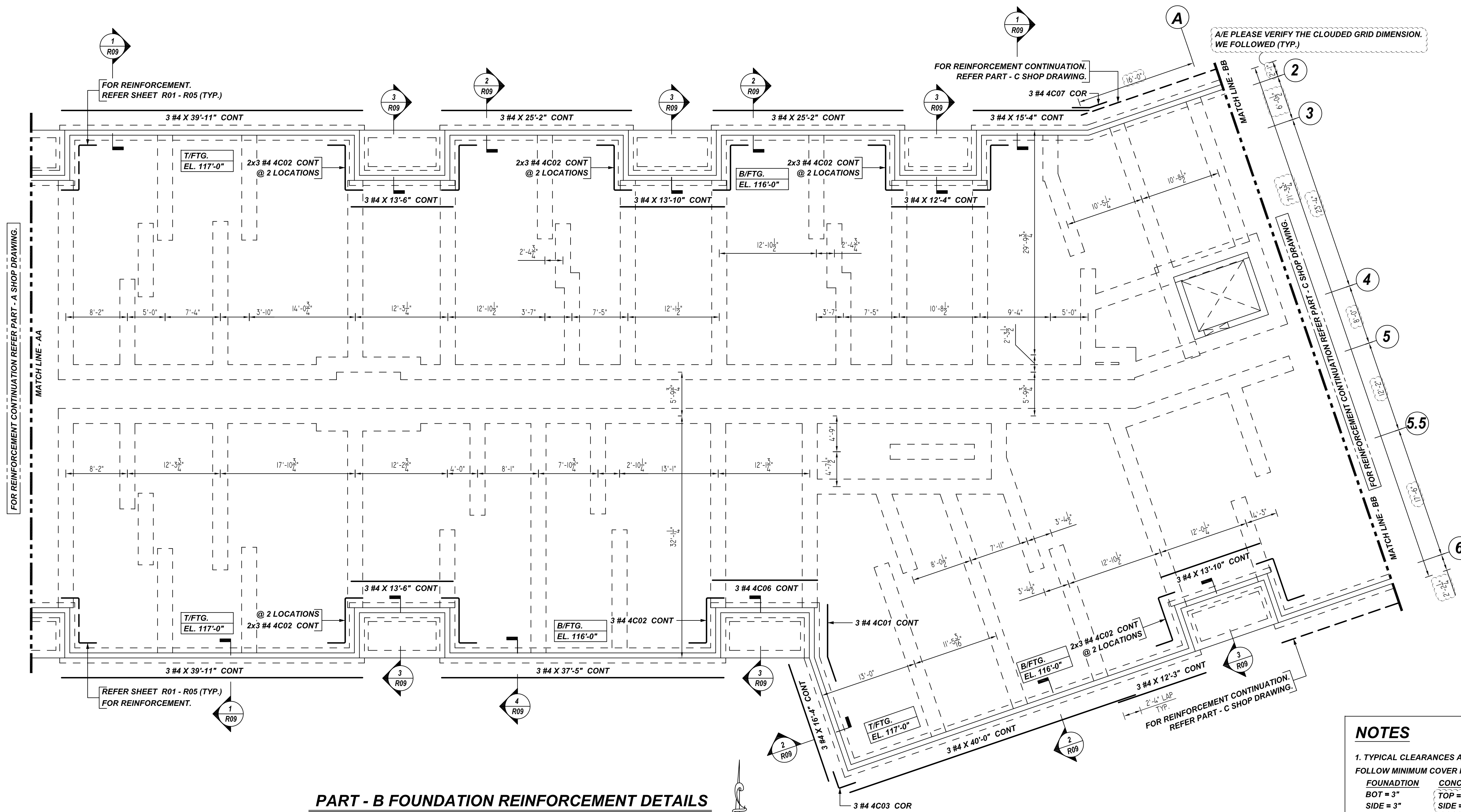


NOTICE

SHORTAGES, IMPROPER FABRICATION OR CLAIMS FOR ANY OTHER REASON MUST BE REPORTED TO THIS COMPANY WITHIN 10 DAYS FROM ORIGINAL DELIVERY. THIS COMPANY ALSO RESERVES THE RIGHT TO FIELD INSPECT MATERIALS PRIOR TO REPLACEMENT OR RECONDITIONING OF MATERIALS AND WILL NOT BE LIABLE FOR CHARGES FROM WORK DONE IN THE FIELD WITHOUT PRIOR AUTHORIZATION FROM THIS COMPANY.

REINFORCING STEEL PLACING DRAWING ONLY. USE IN CONJUNCTION WITH CONTRACT DRAWINGS & SPECIFICATIONS. ELEVATIONS & DIMENSIONS SHOWN ON DRAWING ARE FOR DETAILING PURPOSES ONLY AND SHOULD NOT BE USED FOR CONSTRUCTION UNLESS VERIFIED BY ENGINEER OR CONTRACTOR.



TYPICAL WALL FOOTING CORNER BAR DETAILS
REF: S1.00
SCALE: 1/2" = 1'-0"
A/E PLEASE VERIFY THE FOOTING CORNER AND INTER SECTION DETAILS. SINCE, IT IS NOT GIVEN IN THE STRUCTURAL DRAWINGS, WE FOLLOWED (TYP.)

LAP SCHEDULE @ FOUNDATION
3500 PSI (CLASS-B) CASE - 1
Per ACI 318 (12.2.2) @ WALL FTG.

BAR#	LENGTHS	
	TOP	OTHERS
#3	26"	21"
#4	36"	28"
#5	43"	34"
#6	52"	41"
#7	76"	59"
#8	86"	67"
#9	98"	76"
#10	110"	85"
#11	121"	94"

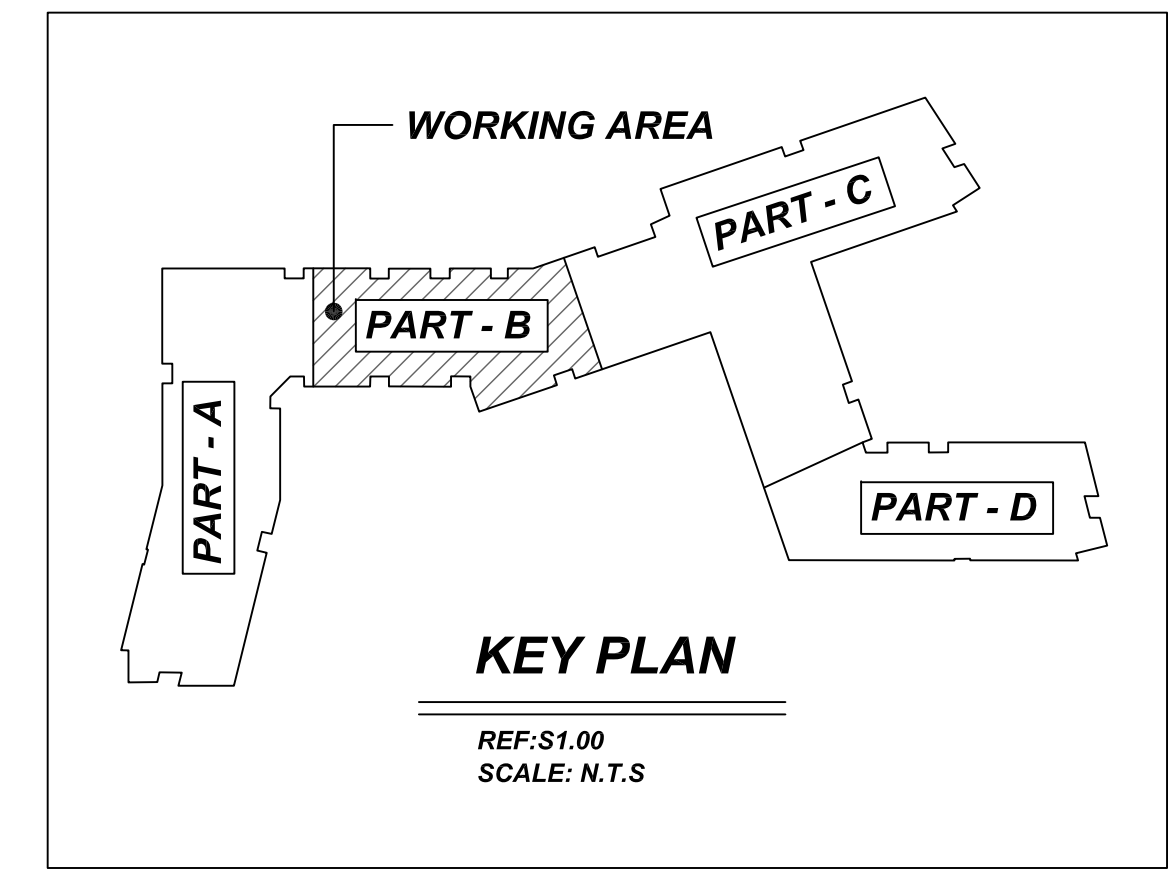
PART - B FOUNDATION REINFORCEMENT DETAILS

REF: S1.00B
SCALE: 1/8" = 1'-0"

- NOTES**
- TYPICAL CLEARANCES ARE AS FOLLOWS:
FOLLOW MINIMUM COVER IN ACCORDANCE WITH FOUNDATION CONC. WALL
BOT = 3" TOP = 2"
SIDE = 3" SIDE = 2"
TOP = 2"
 - ALL DIMENSIONS ARE FEET AND INCHES U.N.O
 - GC PLEASE VERIFY THE CLOUDED ITEMS

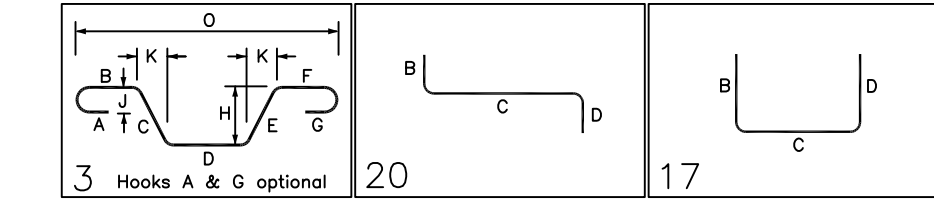
A/E PLEASE VERIFY COVER DETAILS

**ALL BARS IN THIS DRAWING
ASTM A615 GRADE 60
BLACK UNCOATED**



Release Number: R08

Bar Mark	Qty	Size	Total Length	Type	W	H	V	Y	Z	W	H	V	Y	Z	
4001	3	#4	10'-3 3/4"	3	6'-11"	3'-4 3/4"				1'-1 3/4"				3'-2 3/4"	10'-1 3/4"
4002	33	#4	10'-8 1/2"	20	2'-4"	6'-0"	2'-4"								
4003	3	#4	4'-8 1/2"	17	2'-4"	2'-4"									
4006	3	#4	17'-4 1/2"	17	3'-5"	15'-11"				0'-9 3/4"				2'-2 3/4"	4'-8 1/2"
4007	3	#4	4'-7 1/2"	3	2'-4"	2'-3 3/4"									



REBAR GRADE 60 ASTM A-615

SPLICES USED		ABBREVIATIONS		BAR MARK SIZE EQUIVALENT	
CLASS B 4,000 psi UNO		ADD.	= Additional	Imperial	Soft Metric
TOP BARS	OTHER BARS	B.O.W.	= Bottom of wall	#3	#10
#3	#3	C.B.	= Corner Bars	#4	#13
#4	#4	DIAG.	= Diagonal	#5	#16
#5	#5	D.O.	= Door Opening	#6	#19
#6	#6	DWLS.	= Dowels	#7	#22
#7	#7	E.F.	= Each Face	#8	#25
#8	#8	E.S.	= Each Side	#9	#29
#9	#9	E.W.	= Each Way	#10	#32
#10	#10	FTG.	= Footing	#11	#36
#11	#11	F.F.	= Far Face		
#14	#14	HORIZ.	= Horizontal		
		I.F.	= Inside Face		
		INTERS.	= Intersection		
		L.W.	= long Way		
		N.F.	= Near Face		
		O.F.	= Outside Face		
		S.W.	= Short Way		
		T&B	= Top & Bottom		
		T.O.W.	= Top of Wall		
		Trans.	= Transverse		
		VERT.	= Vertical		

SAUGUS RIDGE
PART - B FOUNDATION REINFORCEMENT DETAILS
MASSACHUSETTS 02184

CUSTOMER: CALLAHAN
DESIGNER: -

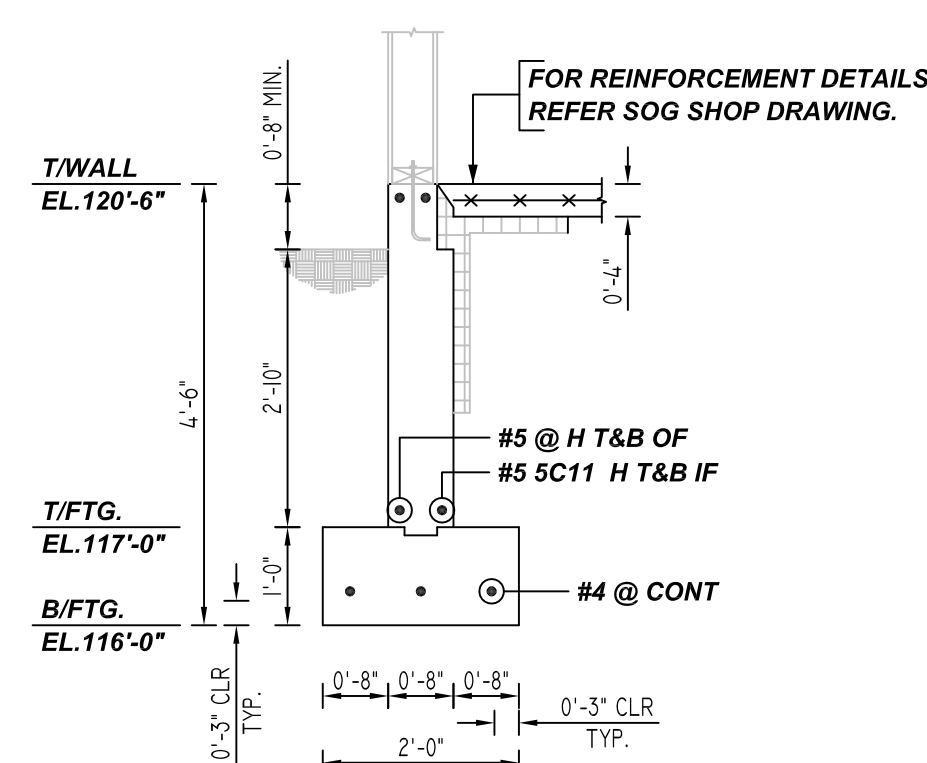
REV NO	DATE	APPROVAL	REV NO	DATE	SENT FOR
0	03.16.22				

JP/MET	DATE	JOB NO	SHEET NO.
	03.16.22	M92270187P	R08

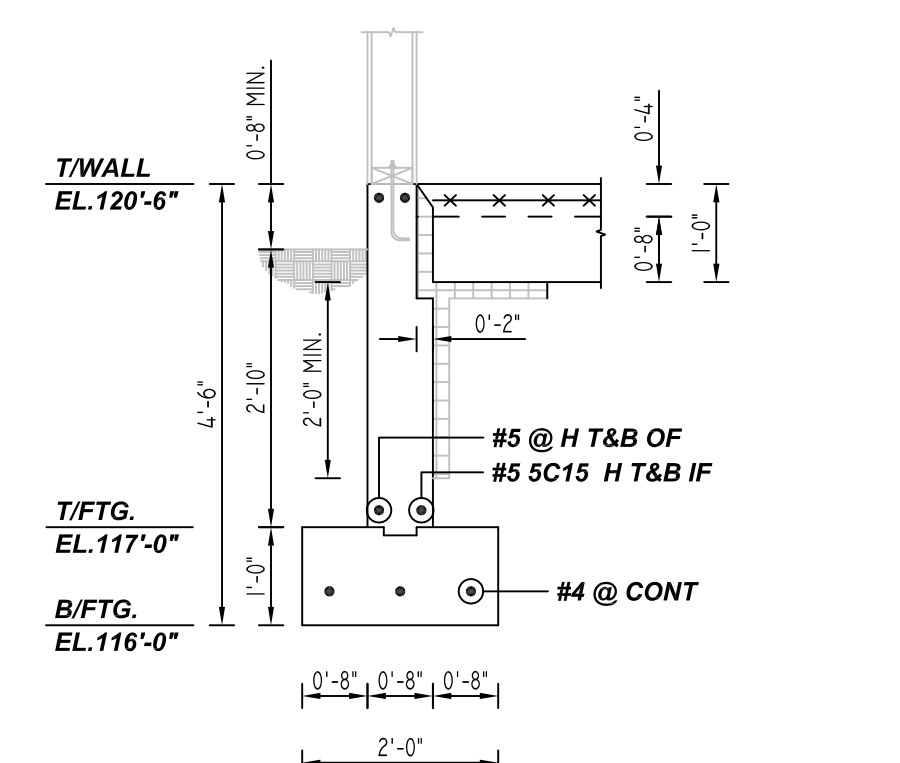
NOTICE

SHORTAGES, IMPROPER FABRICATION OR CLAIMS FOR ANY OTHER REASON MUST BE REPORTED TO THIS COMPANY WITHIN 10 DAYS FROM ORIGINAL DELIVERY. THIS COMPANY ALSO RESERVES THE RIGHT TO FIELD INSPECT MATERIALS PRIOR TO REPLACEMENT OR RECONDITIONING OF MATERIALS AND WILL NOT BE LIABLE FOR CHARGES FROM WORK DONE IN THE FIELD WITHOUT PRIOR AUTHORIZATION FROM THIS COMPANY.

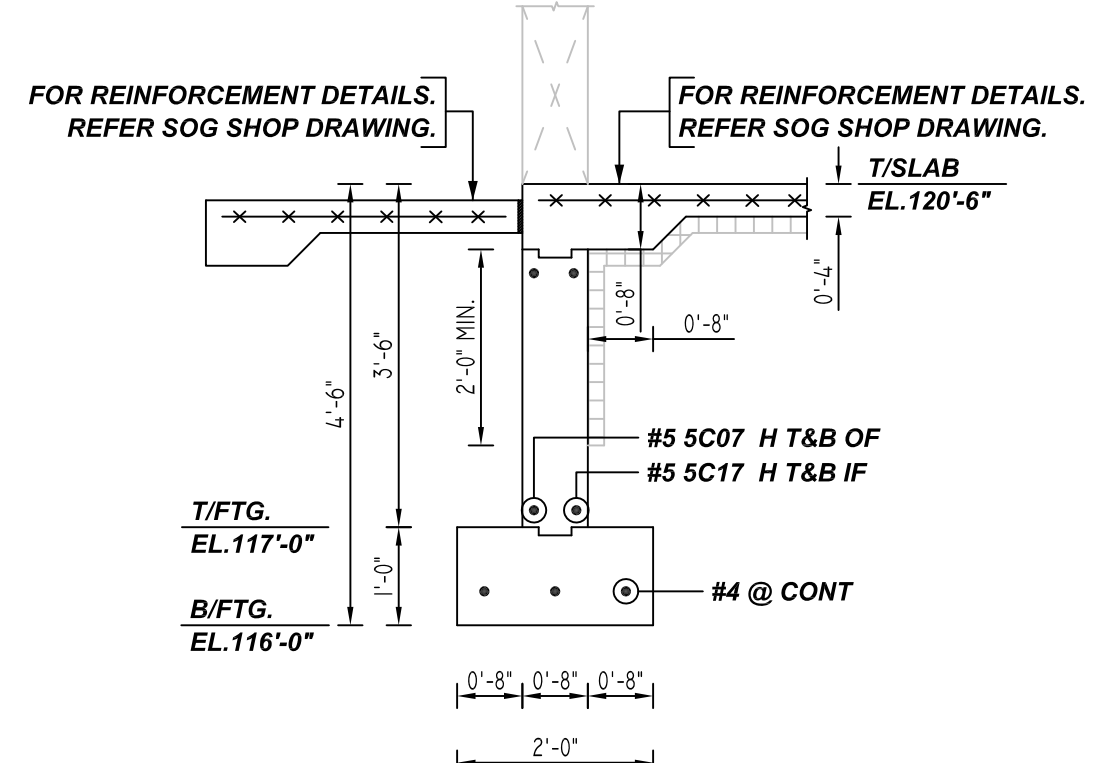
REINFORCING STEEL PLACING DRAWING ONLY. USE IN CONJUNCTION WITH CONTRACT DRAWINGS & SPECIFICATIONS. ELEVATIONS & DIMENSIONS SHOWN ON DRAWING ARE FOR DETAILING PURPOSES ONLY AND SHOULD NOT BE USED FOR CONSTRUCTION UNLESS VERIFIED BY ENGINEER OR CONTRACTOR.



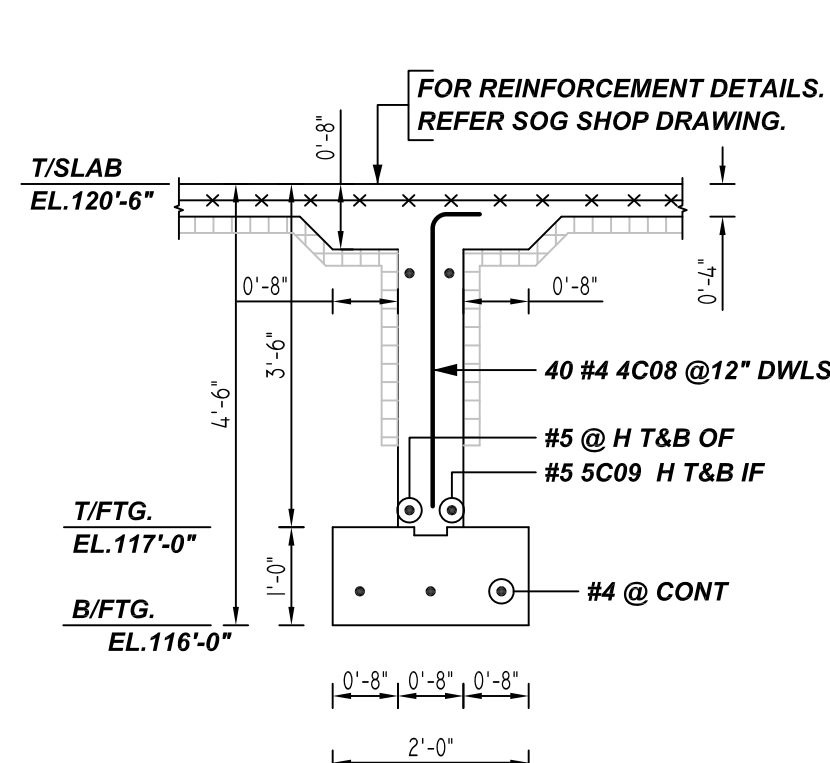
1 SECTION
REF: 7/S3.50
SCALE: 1/1" = 1'-0"



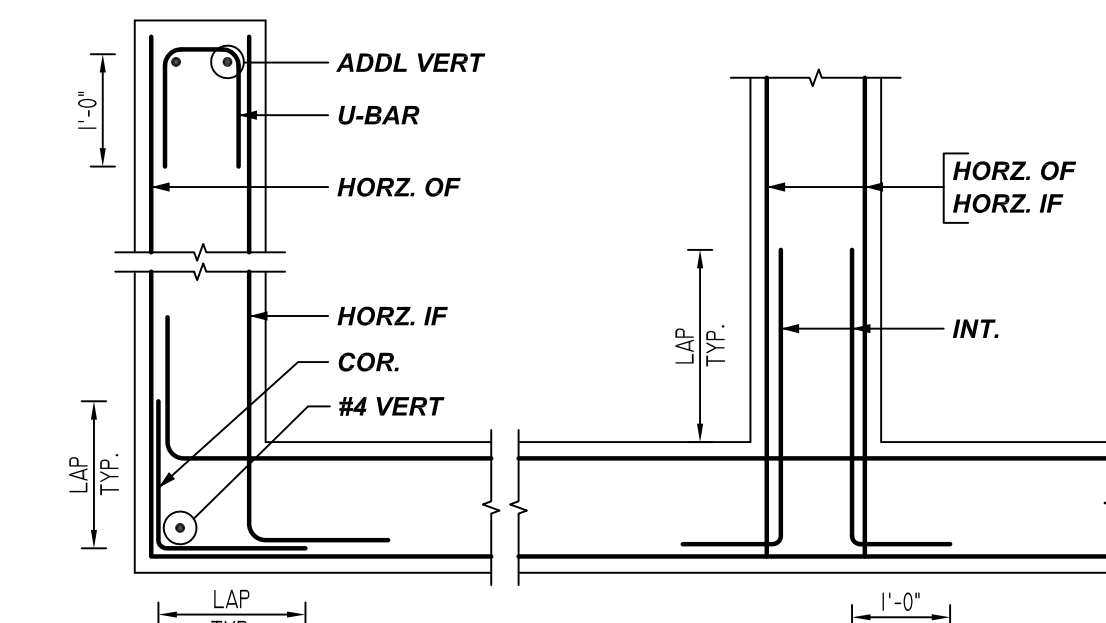
2 SECTION
REF: 8/S3.50
SCALE: 1/1" = 1'-0"



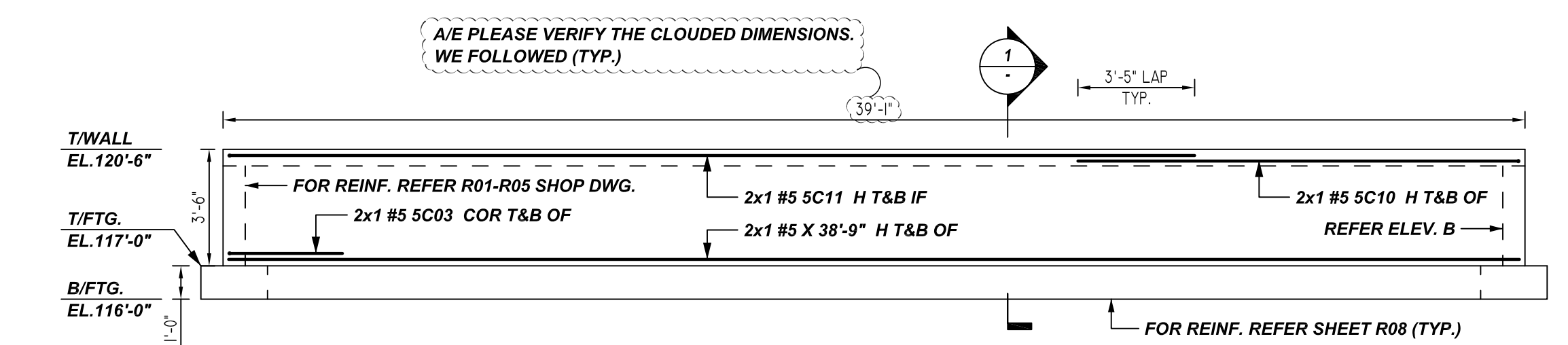
3 SECTION
REF: 4/S3.50
SCALE: 1/1" = 1'-0"



4 SECTION
REF: G/S3.31
SCALE: 1/1" = 1'-0"

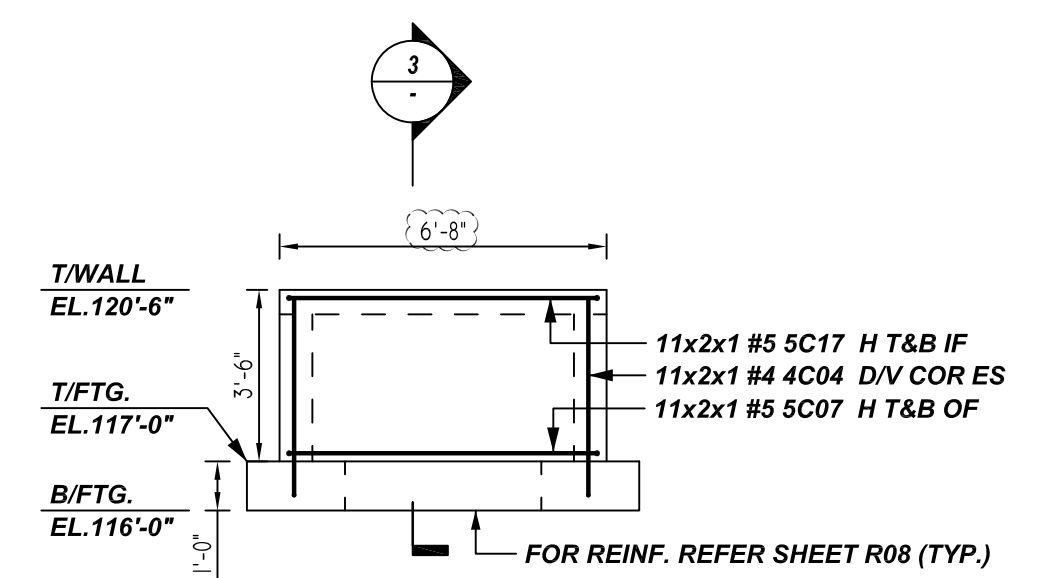


TYPICAL CONCRETE WALL CORNER, INTERSECTION & END DETAILS
REF: A&B/S3.31

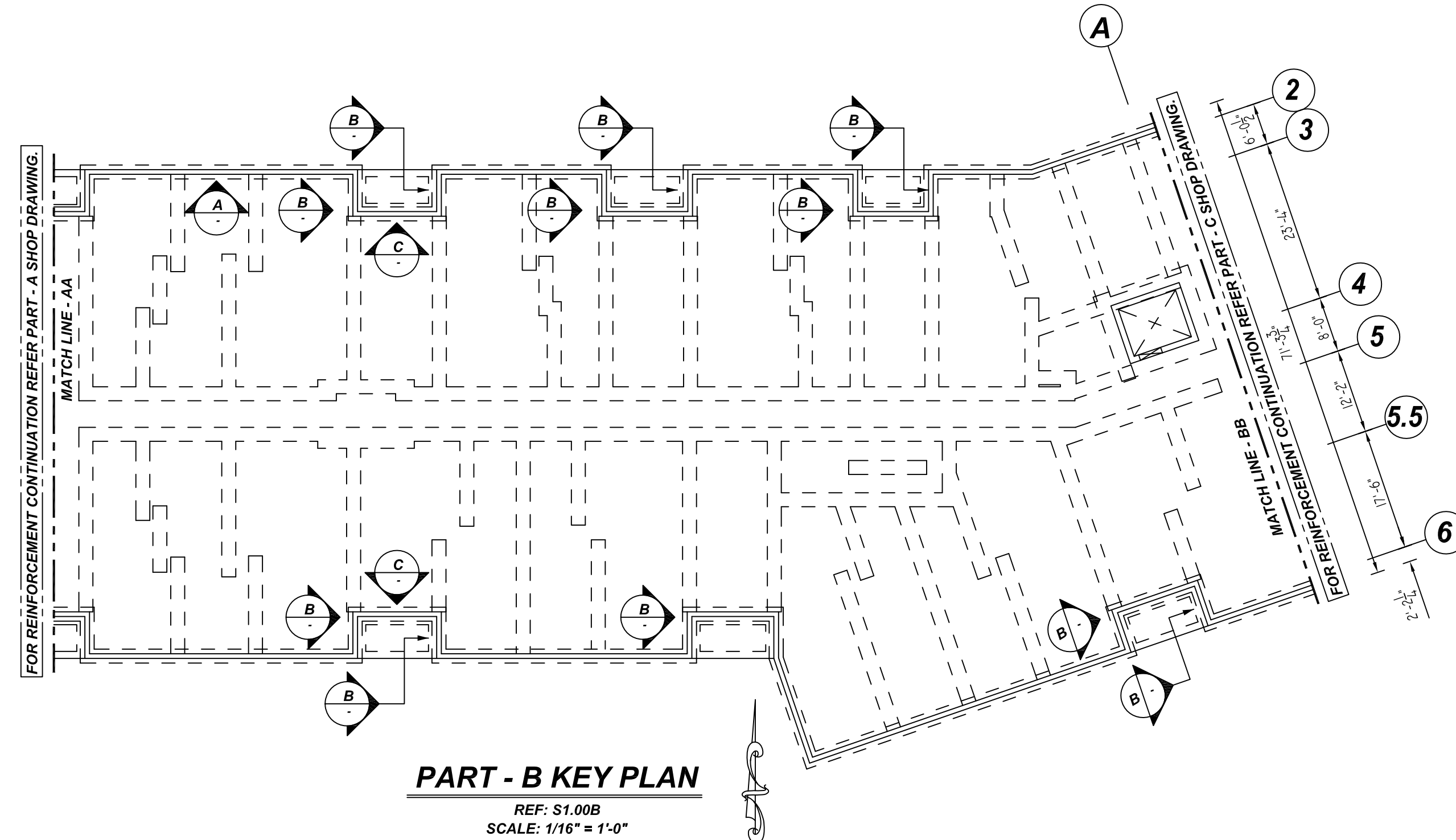


A ELEVATION
REF: 7/S3.50
SCALE: 1/4" = 1'-0"

A/E PLEASE VERIFY THE CLOUDED WALL HORIZONTAL REINFORCEMENTS. SINCE IT IS NOT GIVEN IN THE STRUCTURAL DRAWINGS. SO WE FOLLOWED WALL HORIZONTAL REINFORCEMENTS AS PER SECTION - 13/S3.50 DETAILS (TYP.)

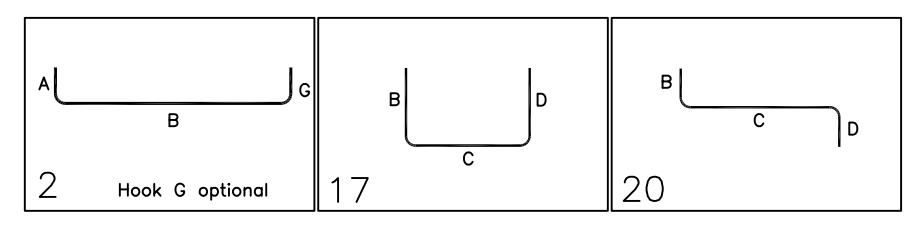


B ELEVATION
REF: 4/S3.50
SCALE: 1/4" = 1'-0"



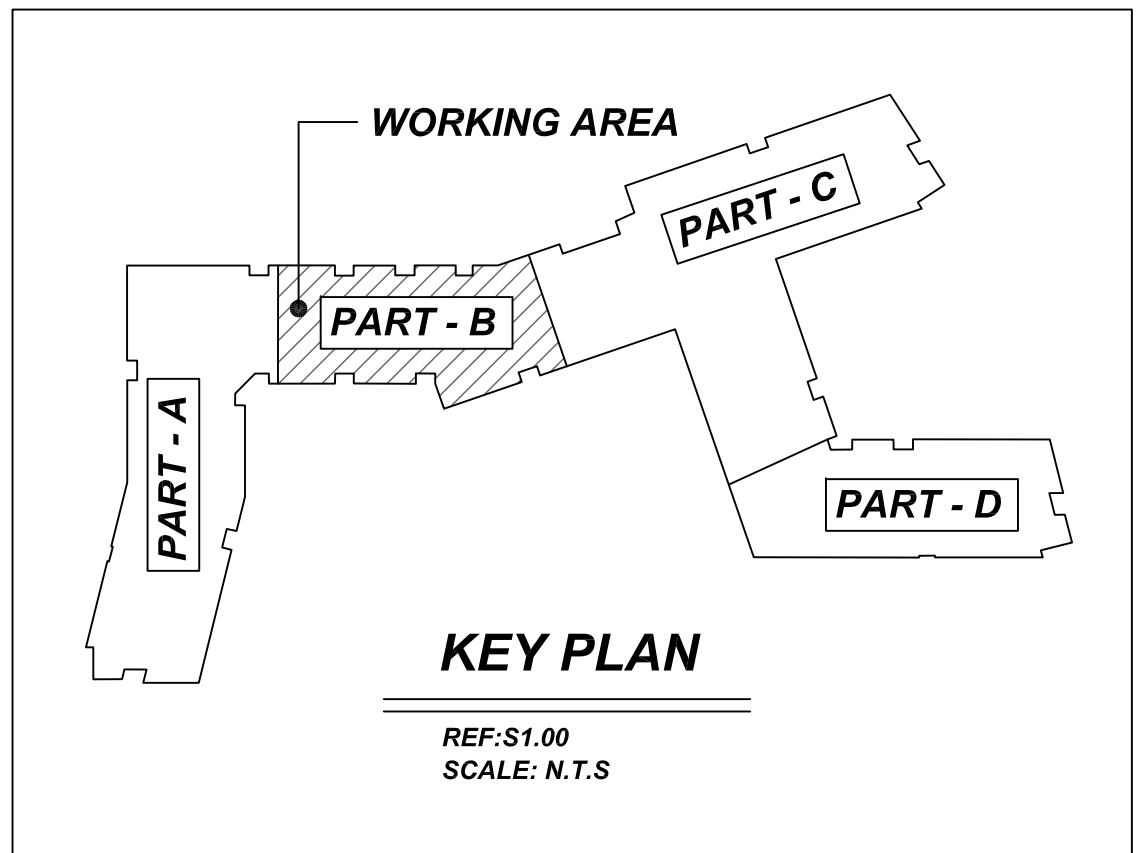
PART - B KEY PLAN
REF: S1.00B
SCALE: 1/16" = 1'-0"

Bar Mark	Qty	Size	Total Length	Type	X	Y	Z	BAR LIST
4204	22	#4	4'-3"	2	0'-8"	4'-4"		
4208	40	#4	3'-4"	17	0'-4"	3'-0"		
5203	2	#5	6'-10"	17	3'-4"	3'-5"		
5007	22	#5	13'-2"	20	3'-4"	6'-4"	3'-5"	
5C10	2	#5	14'-3"	17	1'-0"	13'-3"		
5C11	2	#5	30'-0"	17	1'-0"	29'-0"		
5C16	4	#5	14'-4"	17	1'-0"	12'-4"	1'-0"	
5C17	22	#5	8'-4"	20	1'-0"	6'-4"	1'-0"	



NOTES

- TYPICAL CLEARANCES ARE AS FOLLOWS:
FOLLOW MINIMUM COVER IN ACCORDANCE WITH FOUNDATION CONC. WALL
BOT = 3" TOP = 2"
SIDE = 3" SIDE = 2"
TOP = 2"
- ALL DIMENSIONS ARE FEET AND INCHES U.O
- GC PLEASE VERIFY THE CLOUDED ITEMS



LAP SCHEDULE @ CONC. WALL
4000 PSI (CLASS-B) CASE - 1
Per ACI-318 (12.2.2) @ CONC. WALL

BAR#	LENGTHS	
	TOP	OTHERS
#3	2'-1"	1'-8"
#4	2'-9"	2'-3"
#5	3'-5"	2'-8"
#6	4'-1"	3'-2"
#7	5'-11"	4'-7"
#8	6'-9"	5'-3"
#9	7'-8"	5'-11"
#10	8'-7"	6'-8"
#11	9'-6"	7'-4"

ALL BARS IN THIS DRAWING ASTM A615 GRADE 60 BLACK UNCOATED

REBAR GRADE 60 ASTM A-615

SPLICES USED		ABBREVIATIONS		BAR MARK SIZE EQUIVALENT	
CLASS B 4,000 psi UNO				Imperial	Soft Metric
TOP BARS	OTHER BARS	ADD.	Additional	#3	#10
#3	#3	B.O.W.	Bottom of wall	#4	#13
#4	#4	C.B.	Corner Bars	#5	#16
#5	#5	DIAG.	Diagonal	#6	#19
#6	#6	D.O.	Door Opening	#7	#22
#7	#7	DWLS.	Dowels	#8	#25
#8	#8	E.F.	Each Face	#9	#29
#9	#9	E.S.	Each Side	#10	#32
#10	#10	E.W.	Each Way	#11	#36
#11	#11	FTG.	Footing		
#14	#14	F.F.	Far Face		
		HORIZ.	Horizontal		
		I.F.	Inside Face		
		INTERS=	Intersection		
		L.W.	long Way		
		N.F.	Near Face		
		O.F.	Outside Face		
		S.W.	Short Way		
		T&B	Top & Bottom		
		T.O.W.	Top of Wall		
		Trans.	Transverse		
		VERT.	Vertical		

SAUGUS RIDGE
PART - B FOUNDATION REINFORCEMENT DETAILS
MASSACHUSETTS 02184

CUSTOMER: CALLAHAN
DESIGNER: -

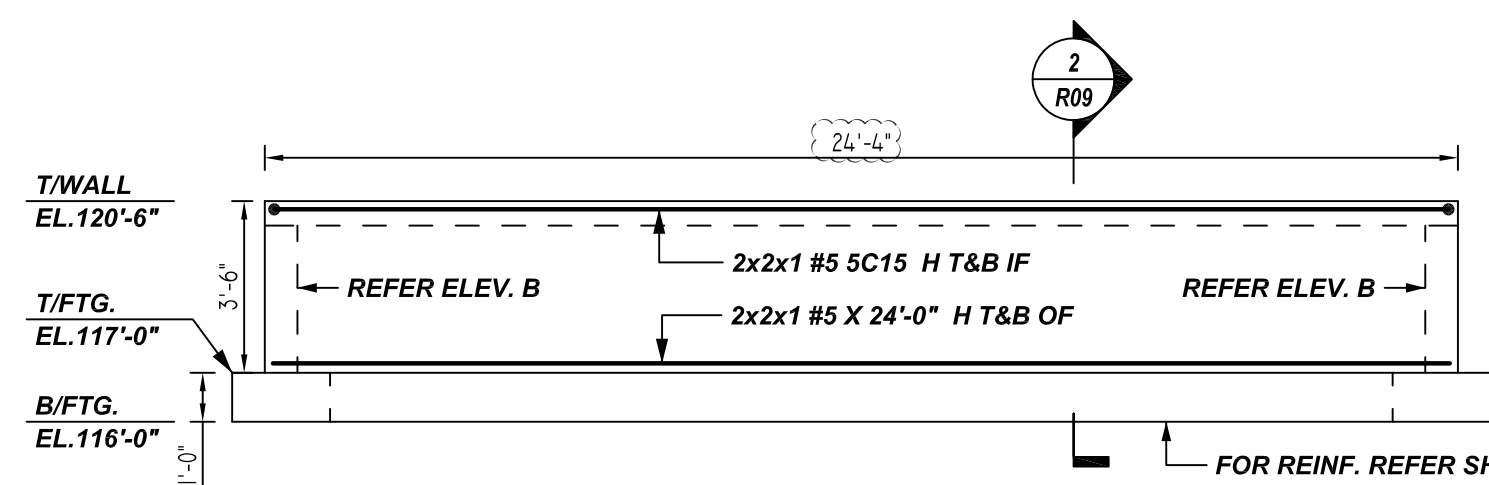
REV NO	DATE	APPROVAL	REV NO	DATE	SENT FOR
0	03.16.22				

DRAWN BY	DATE	JOB NO	SHEET NO.
JP/MET	03.16.22	M92270187P	R09

NOTICE

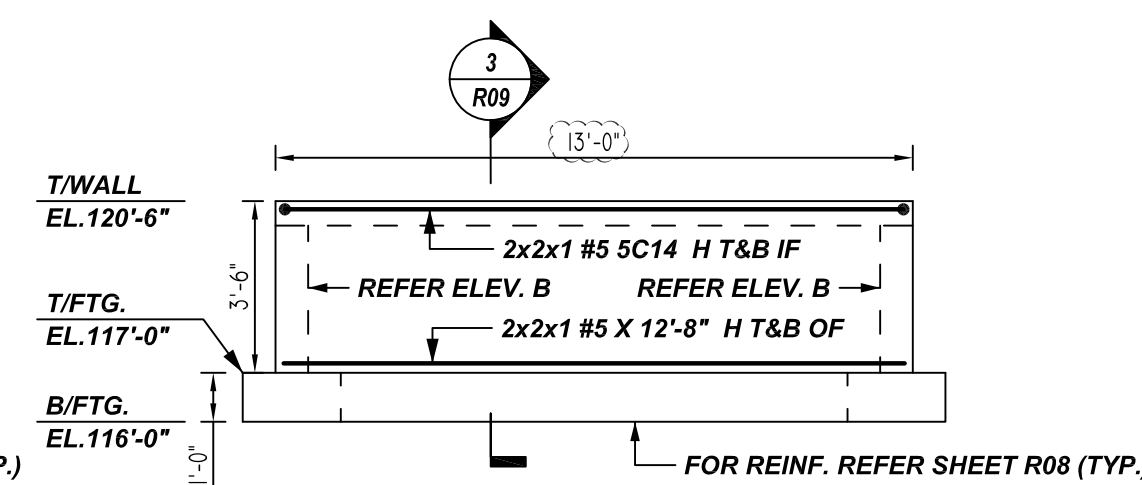
SHORTAGES, IMPROPER FABRICATION OR CLAIMS FOR ANY OTHER REASON MUST BE REPORTED TO THIS COMPANY WITHIN 10 DAYS FROM ORIGINAL DELIVERY. THIS COMPANY ALSO RESERVES THE RIGHT TO FIELD INSPECT MATERIALS PRIOR TO REPLACEMENT OR RECONDITIONING OF MATERIALS AND WILL NOT BE LIABLE FOR CHARGES FROM WORK DONE IN THE FIELD WITHOUT PRIOR AUTHORIZATION FROM THIS COMPANY.

REINFORCING STEEL PLACING DRAWING ONLY. USE IN CONJUNCTION WITH CONTRACT DRAWINGS & SPECIFICATIONS. ELEVATIONS & DIMENSIONS SHOWN ON DRAWING ARE FOR DETAILING PURPOSES ONLY AND SHOULD NOT BE USED FOR CONSTRUCTION UNLESS VERIFIED BY ENGINEER OR CONTRACTOR.

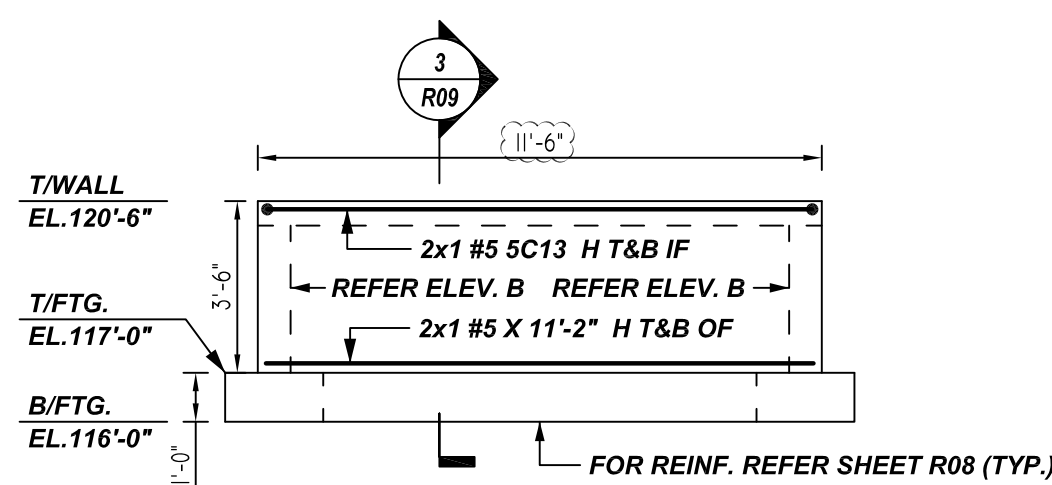


8" CONC. WALL
@ 2 LOCATIONS
D ELEVATION
REF: 8/S3.50
SCALE: 1/4" = 1'-0"

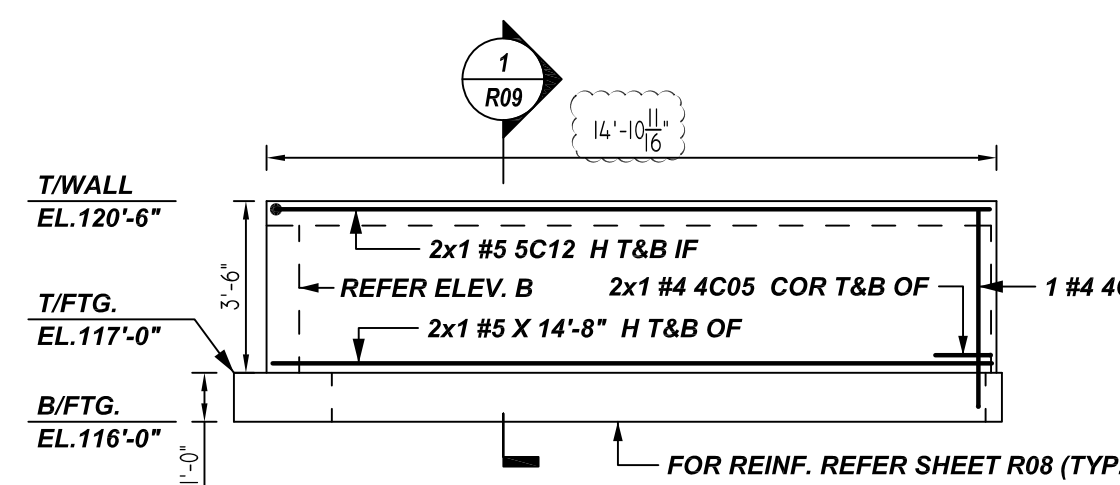
A/E PLEASE VERIFY THE CLOUDED WALL HORIZONTAL REINFORCEMENTS. SINCE IT IS NOT GIVEN IN THE STRUCTURAL DRAWINGS. SO WE FOLLOWED WALL HORIZONTAL REINFORCEMENTS AS PER SECTION - 13/S3.50 DETAILS (TYP.)



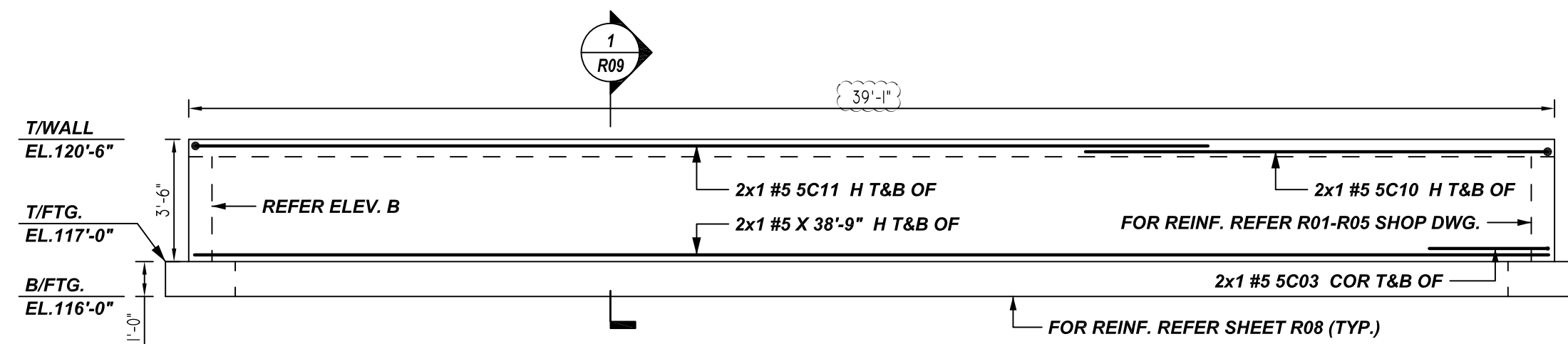
8" CONC. WALL
@ 2 LOCATIONS
E ELEVATION
REF: 4/S3.50
SCALE: 1/4" = 1'-0"



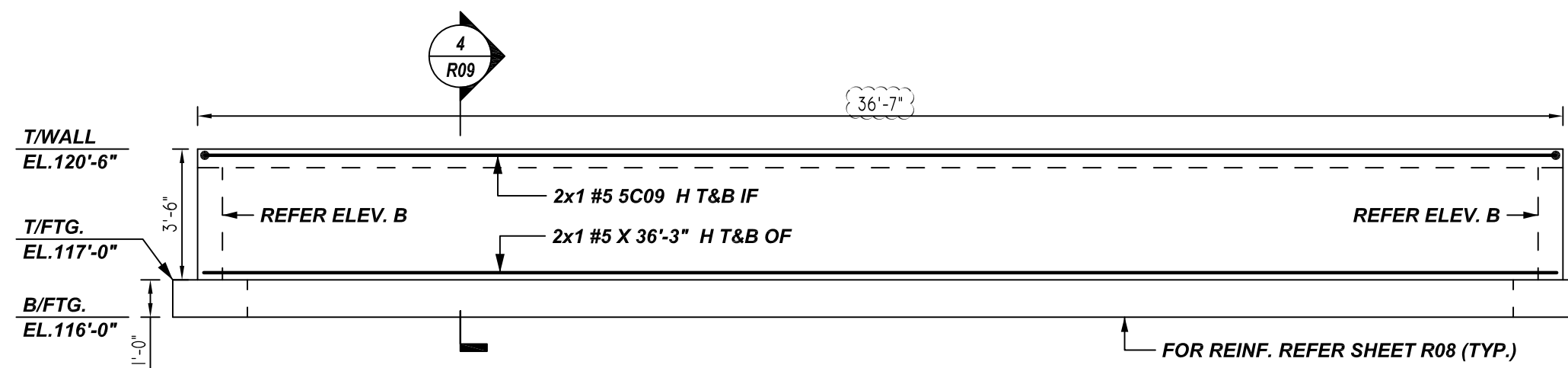
8" CONC. WALL
F ELEVATION
REF: 4/S3.50
SCALE: 1/4" = 1'-0"



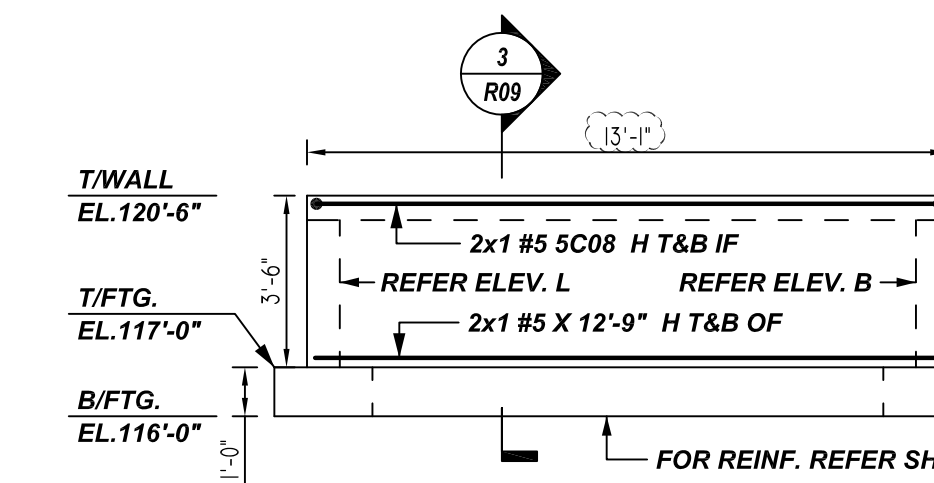
8" CONC. WALL
G ELEVATION
REF: 7/S3.50
SCALE: 1/4" = 1'-0"



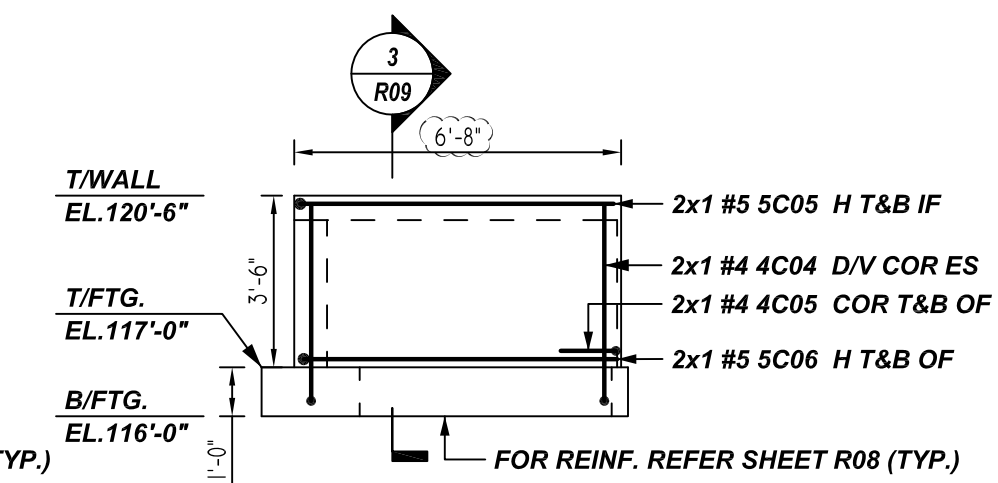
8" CONC. WALL
H ELEVATION
REF: 7/S3.50
SCALE: 1/4" = 1'-0"



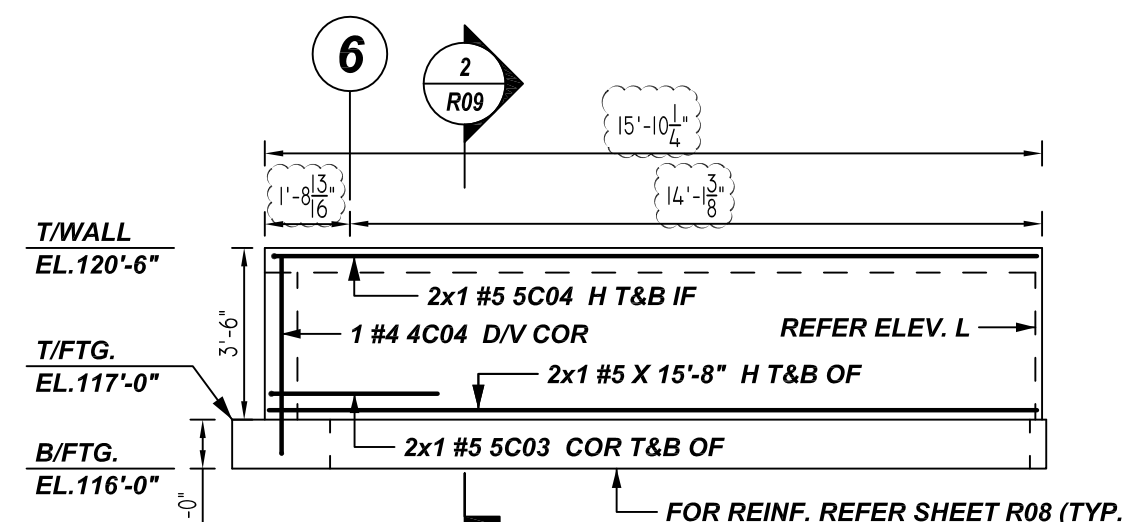
8" CONC. WALL
J ELEVATION
REF: G/S3.31
SCALE: 1/4" = 1'-0"



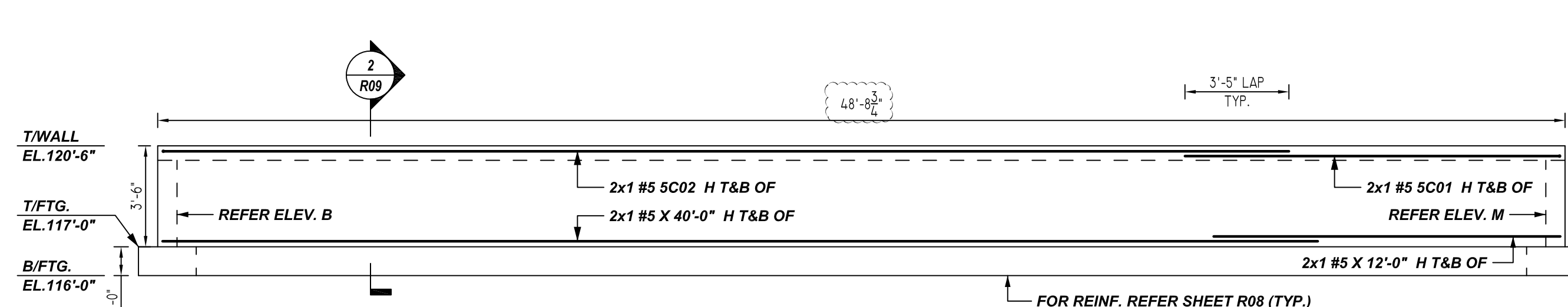
8" CONC. WALL
K ELEVATION
REF: 4/S3.50
SCALE: 1/4" = 1'-0"



8" CONC. WALL
L ELEVATION
REF: 4/S3.50
SCALE: 1/4" = 1'-0"

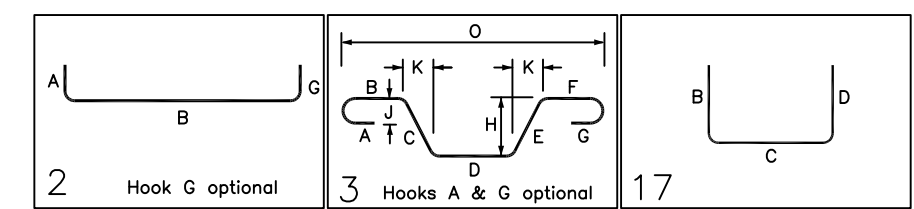


8" CONC. WALL
M ELEVATION
REF: 8/S3.50
SCALE: 1/4" = 1'-0"



8" CONC. WALL
N ELEVATION
REF: 8/S3.50
SCALE: 1/4" = 1'-0"

Bar Mark	Qty	Size	Total Length	Type	X	Y	Z	W	V	U	T	S	R	Q	P	O	N	M	L	K	J	I	H	G	F	E	D	C	B	A
4004	4	#4	4'-8"	2	0'-8"	4'-0"																								
4005	4	#4	6'-9"	3	3'-5"	3'-4"																								
5001	2	#5	14'-0"	17	1'-0"	13'-0"																								
5002	2	#5	40'-0"	17	1'-0"	39'-0"																								
5003	4	#5	6'-10"	17	3'-5"	3'-5"																								
5004	2	#5	16'-7"	17	1'-0"	15'-7"																								
5005	2	#5	7'-5"	17	1'-0"	6'-5"																								
5006	2	#5	9'-10"	17	3'-5"	6'-5"																								
5008	2	#5	14'-9"	17	1'-0"	12'-9"	1'-0"																							
5009	2	#5	36'-3"	17	1'-0"	36'-3"	1'-0"																							
5010	2	#5	14'-3"	17	1'-0"	13'-3"																								
5011	2	#5	30'-0"	17	1'-0"	29'-0"																								
5012	2	#5	15'-7"	17	1'-0"	14'-7"																								
5013	2	#5	13'-2"	17	1'-0"	11'-2"	1'-0"																							
5014	4	#5	14'-8"	17	1'-0"	12'-8"	1'-0"																							
5015	4	#5	26'-0"	17	1'-0"	24'-0"	1'-0"																							



LAP SCHEDULE @ CONC. WALL

4000 PSI (CLASS-B) CASE - 1
Per ACI 318 (12.2.2) @ CONC. WALL LENGTHS

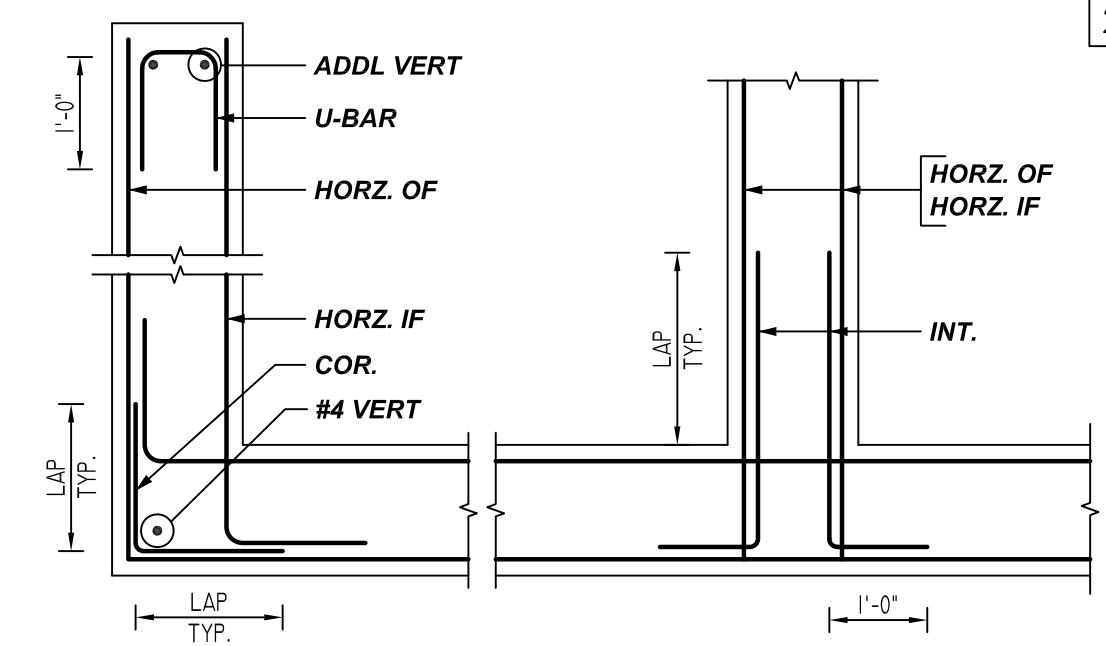
BAR#	TOP	OTHERS
#3	2'-1"	1'-8"
#4	2'-9"	2'-3"
#5	3'-5"	2'-8"
#6	4'-1"	3'-2"
#7	5'-11"	4'-7"
#8	6'-9"	5'-3"
#9	7'-8"	5'-11"
#10	8'-7"	6'-8"
#11	9'-6"	7'-4"

NOTES

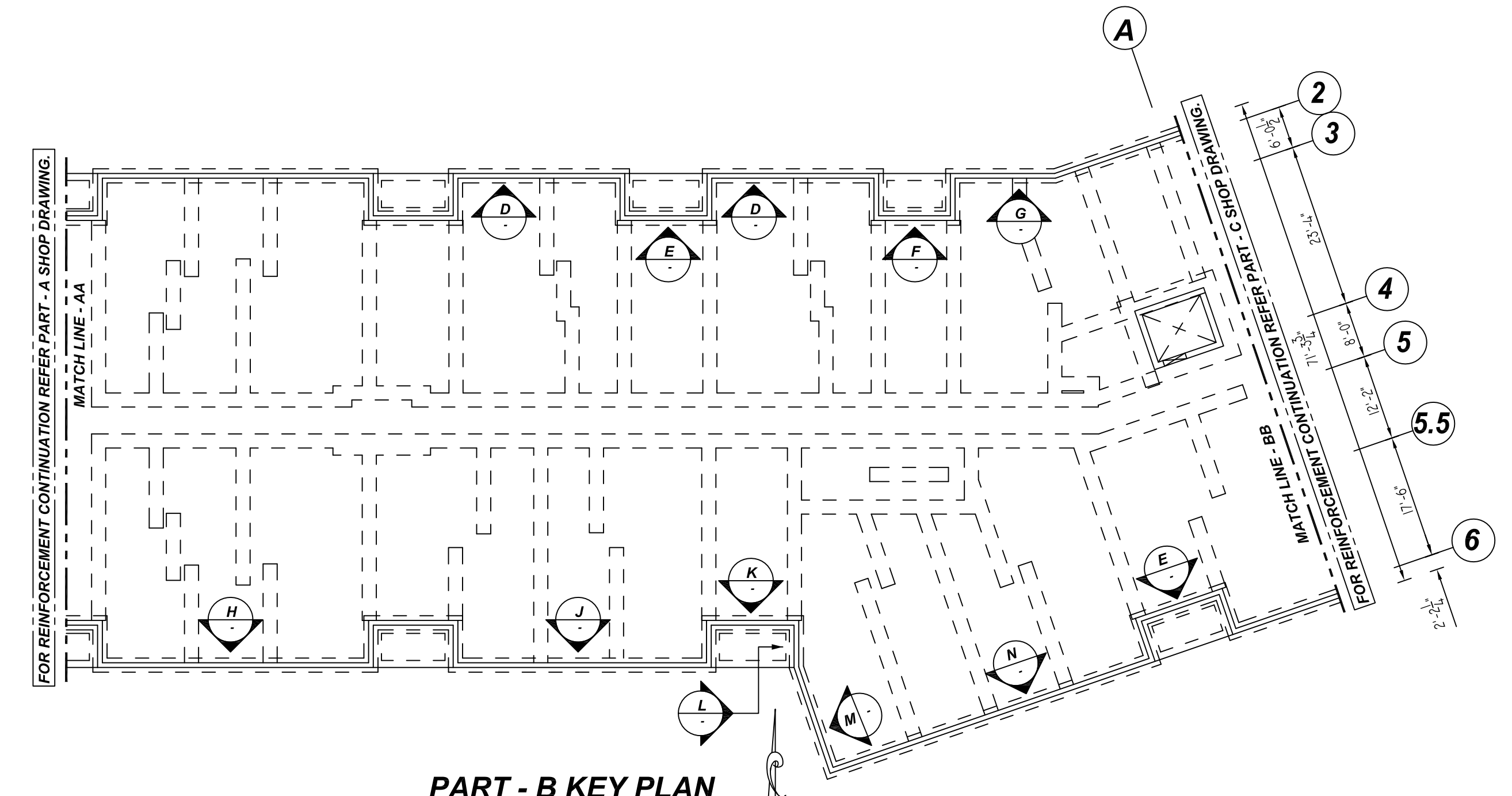
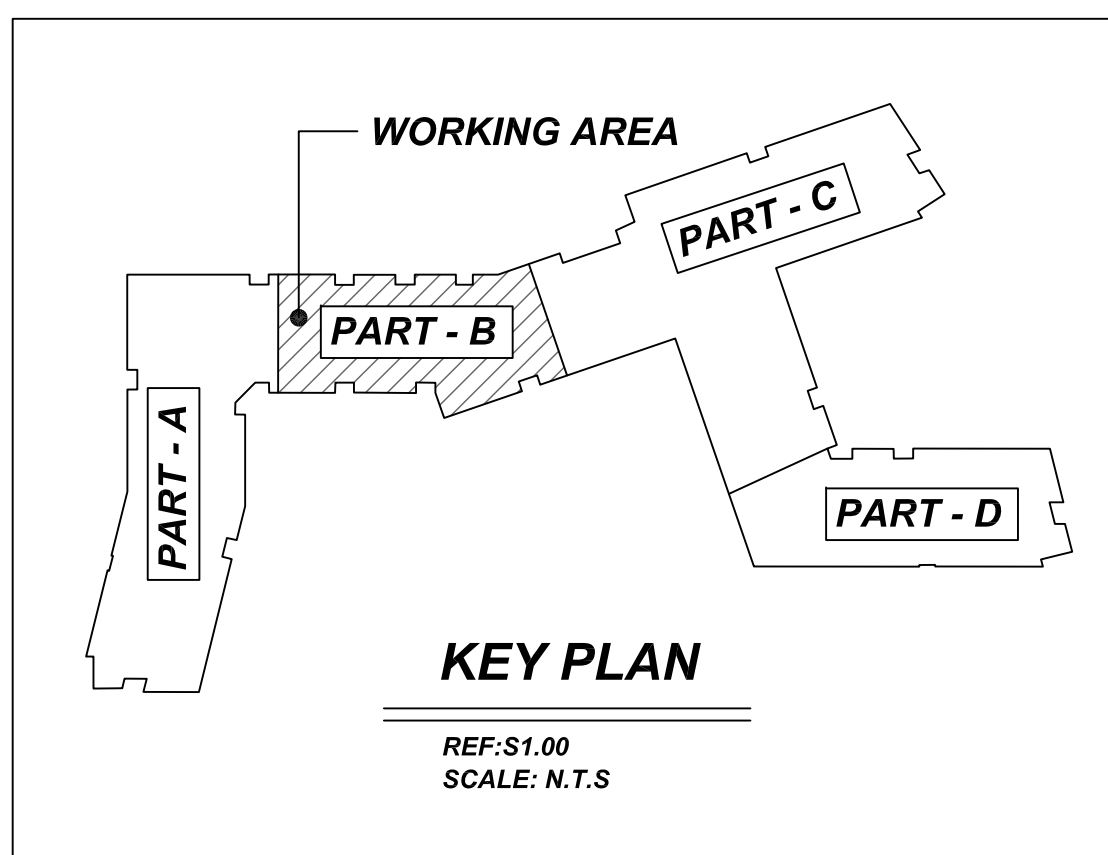
- TYPICAL CLEARANCES ARE AS FOLLOWS: FOLLOW MINIMUM COVER IN ACCORDANCE WITH FOUNDATION CONC. WALL
BOT = 3" TOP = 2" SIDE = 3" TOP = 2"
- ALL DIMENSIONS ARE FEET AND INCHES U.N.O
- GC PLEASE VERIFY THE CLOUDED ITEMS

A/E PLEASE VERIFY COVER DETAILS

ALL BARS IN THIS DRAWING ASTM A615 GRADE 60 BLACK UNCOATED



TYPICAL CONCRETE WALL CORNER, INTERSECTION & END DETAILS
REF: A&B/S3.31



REBAR GRADE 60 ASTM A-615

SPLICES USED		ABBREVIATIONS		BAR MARK SIZE EQUIVALENT	
CLASS B 4,000 psi UNO				Imperial Soft Metric	
TOP BARS	OTHER BARS			#3	#10
#3	#3	ADD.	Additional	#4	#13
#4	#4	B.O.W.	Bottom of wall	#5	#16
#5	#5	C.B.	Corner Bars	#6	#19
#6	#6	DIAG.	Diagonal	#7	#22
#7	#7	D.O.	Door Opening	#8	#25
#8	#8	D.WLS.	Dowels	#9	#29
#9	#9	E.F.	Each Face	#10	#32
#10	#10	E.S.	Each Side	#11	#36
#11	#11	E.W.	Each Way		
#14	#14	FTG.	Footing		
		F.F.	Far Face		
		HORIZ.	Horizontal		
		I.F.	Inside Face		
		INTERS.	Intersection		
		L.W.	long Way		
		N.F.	Near Face		
		O.F.	Outside Face		
		S.W.	Short Way		
		T&B	Top & Bottom		
		T.O.W.	Top of Wall		
		Trans.	Transverse		
		VERT.	Vertical		

SAUGUS RIDGE
PART - B FOUNDATION REINFORCEMENT DETAILS
MASSACHUSETTS 02184

CUSTOMER: CALLAHAN
DESIGNER: -

REV NO	DATE	APPROVAL	SENT FOR	REV NO	DATE	SENT FOR
0	03.16.22					

DRAWN BY	DATE	JOB NO	SHEET NO.
JP/MET	03.16.22	M92270187P	R10