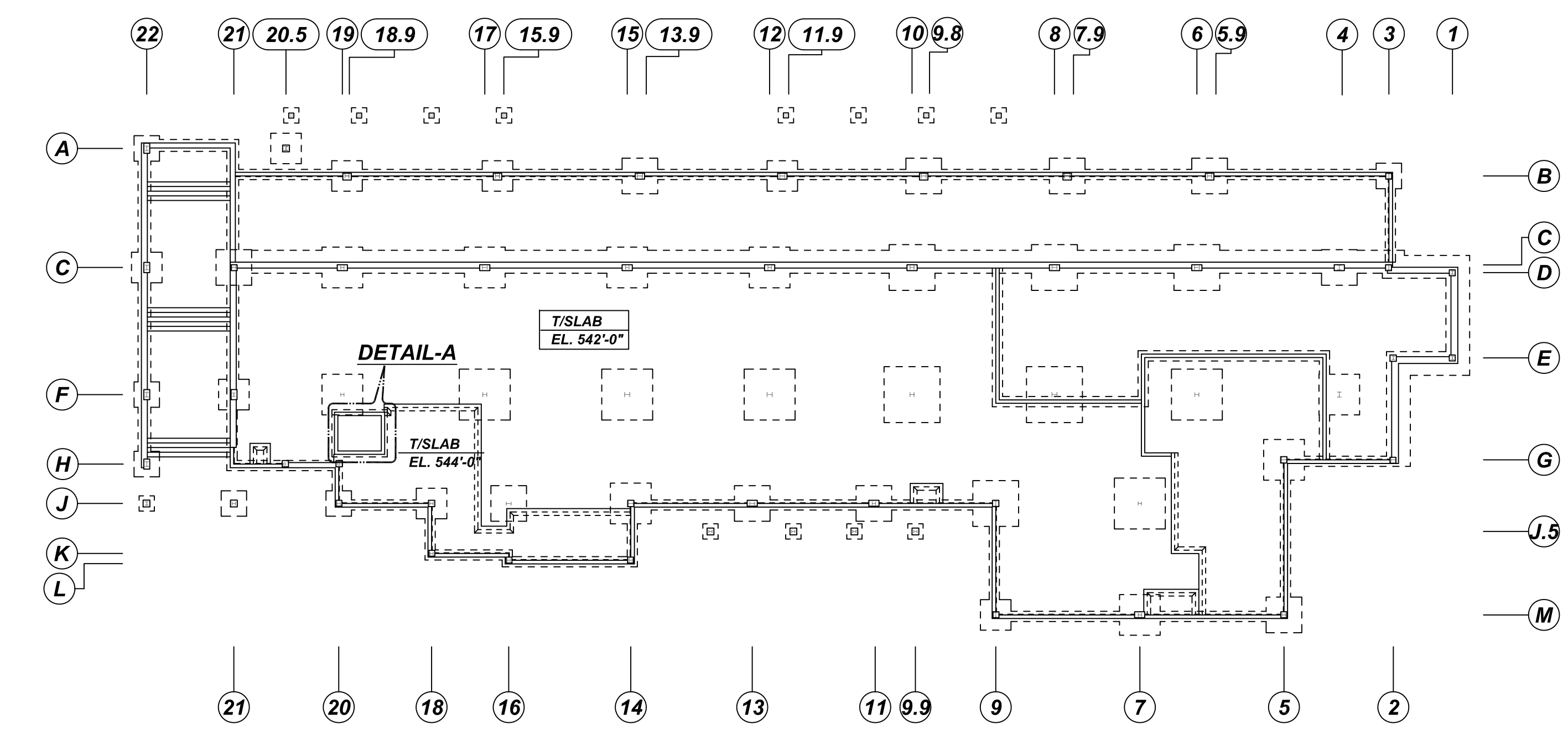
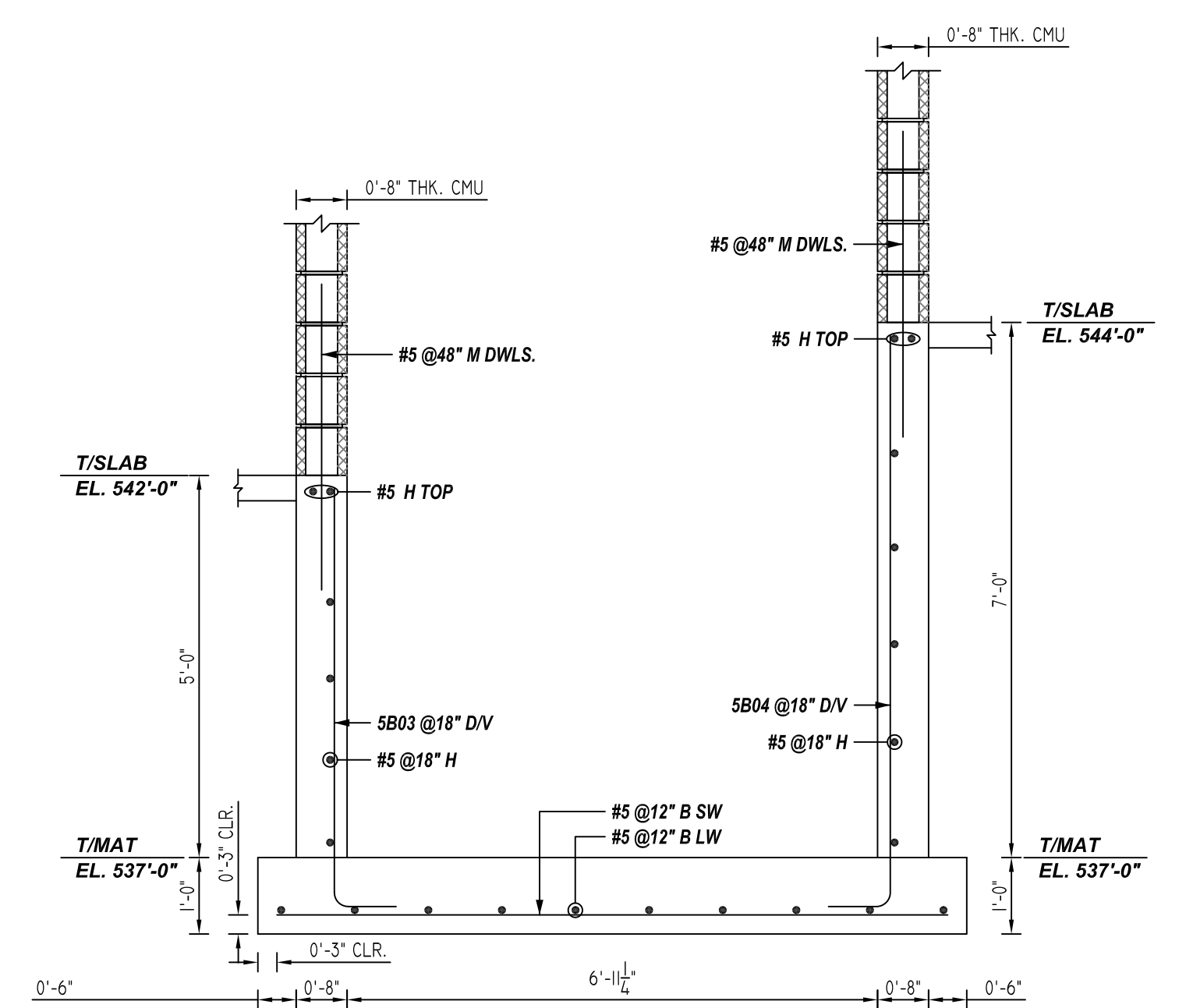
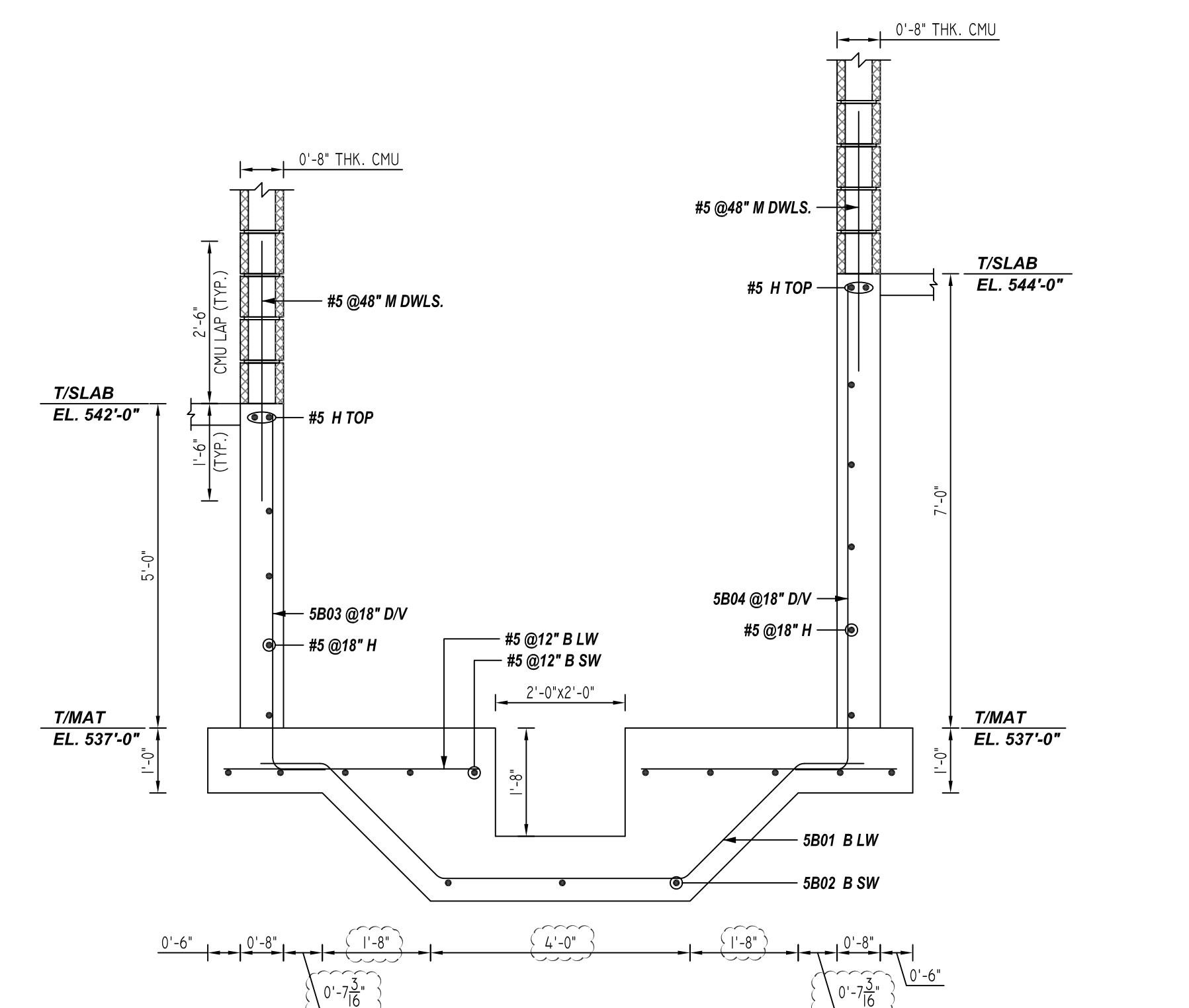
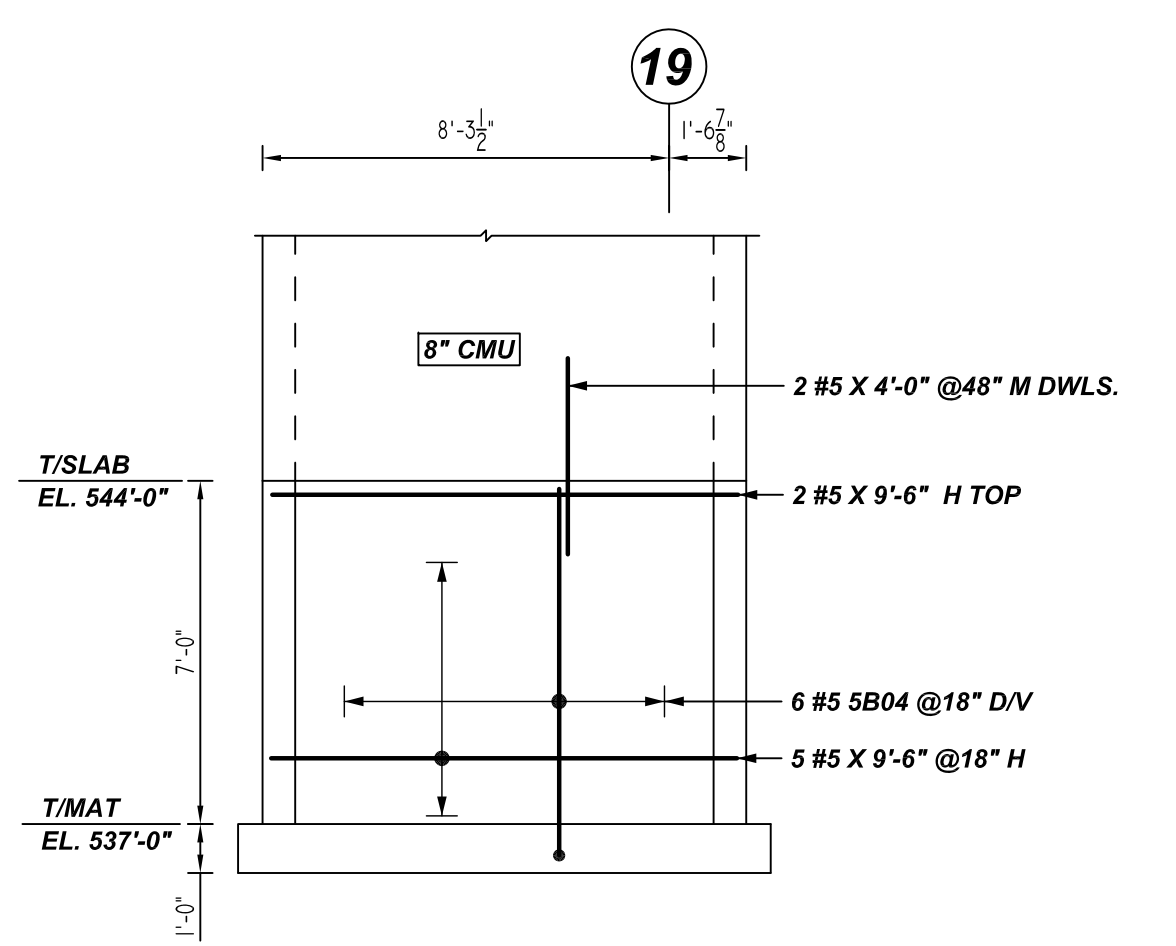
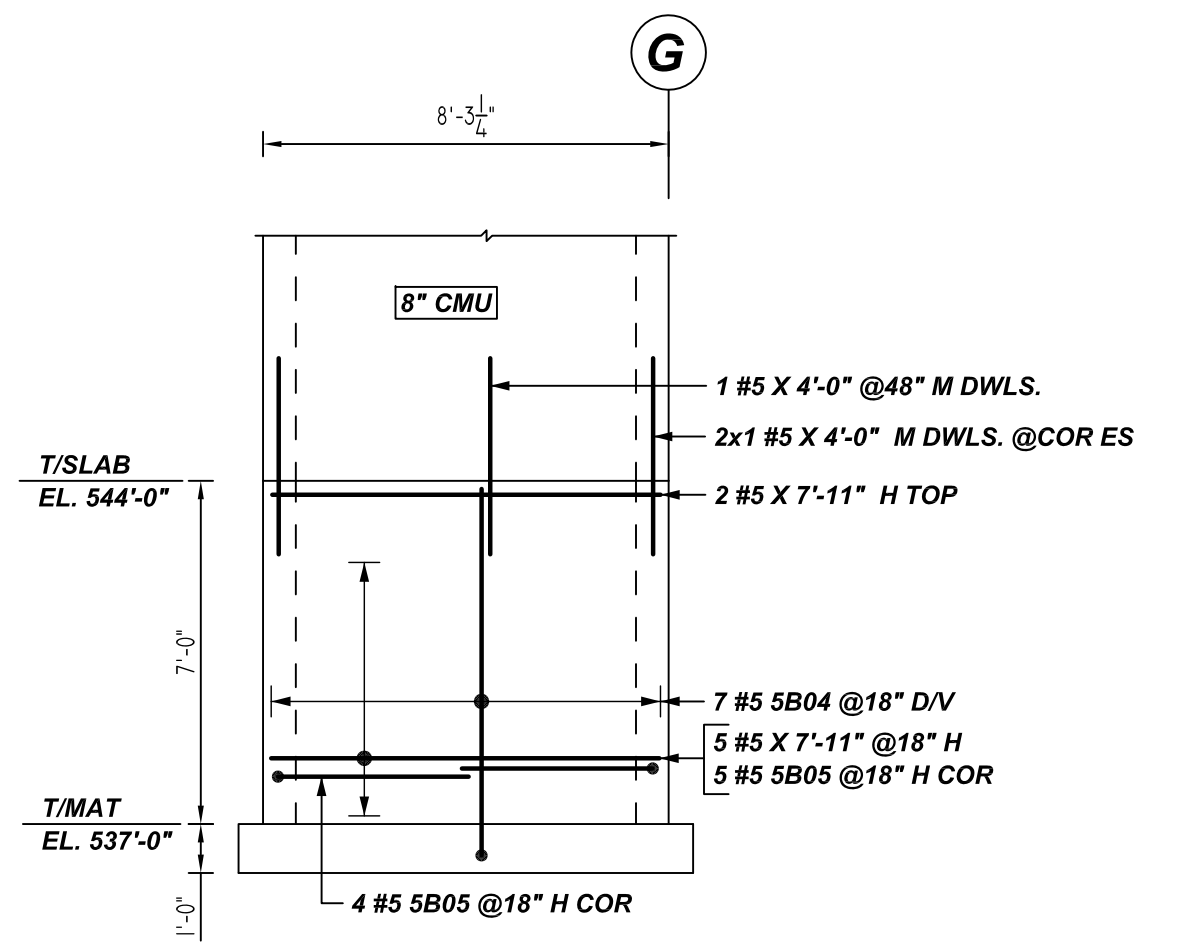
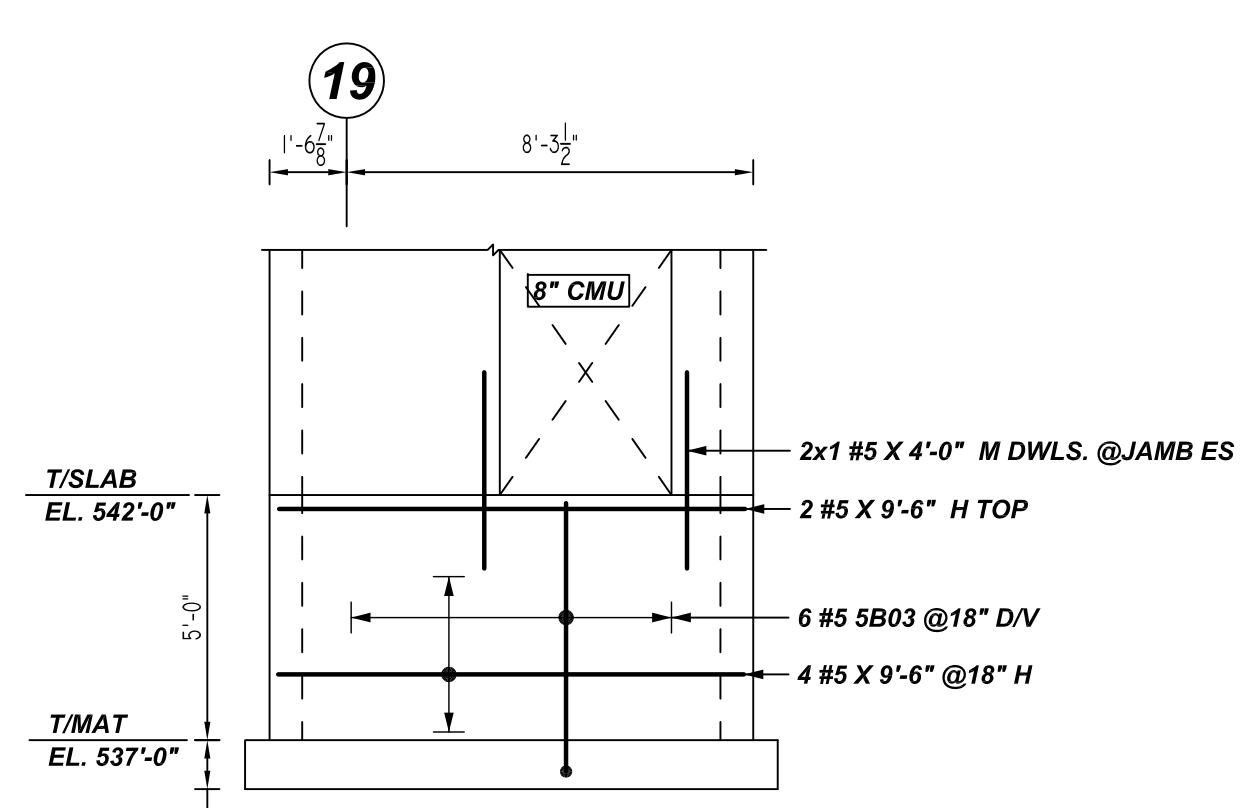
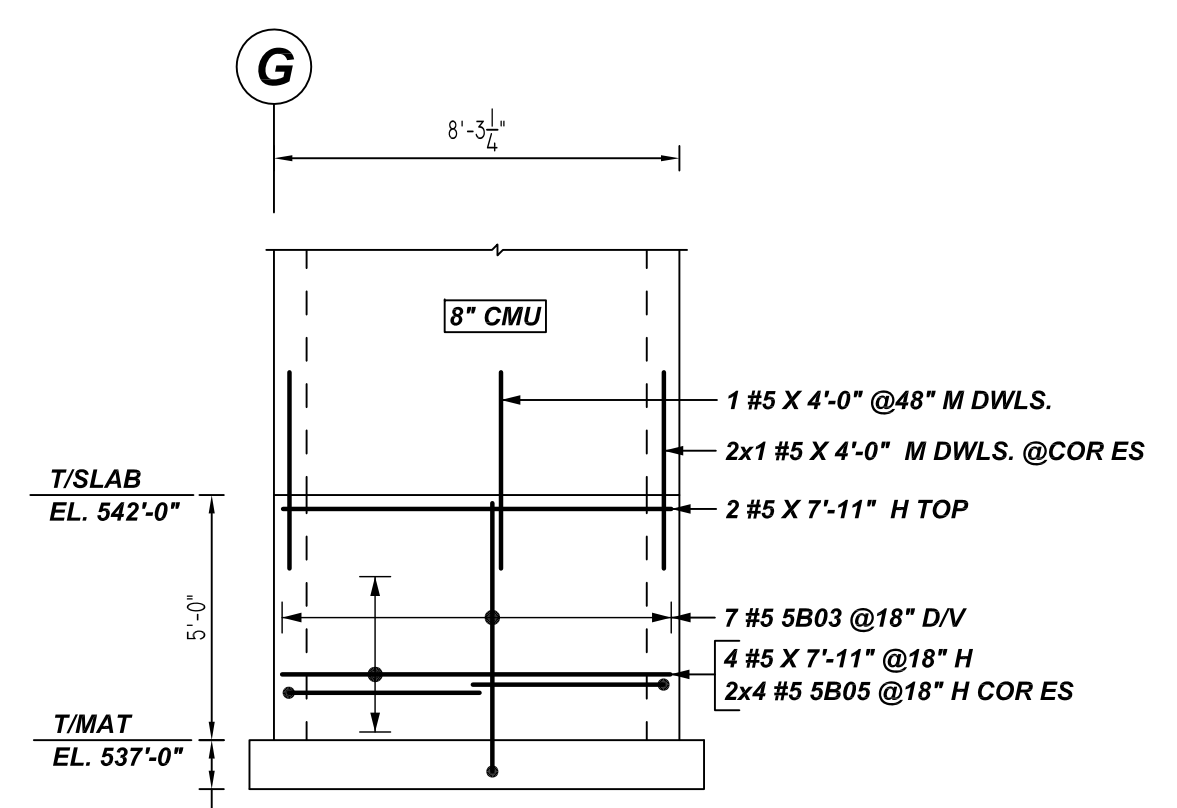
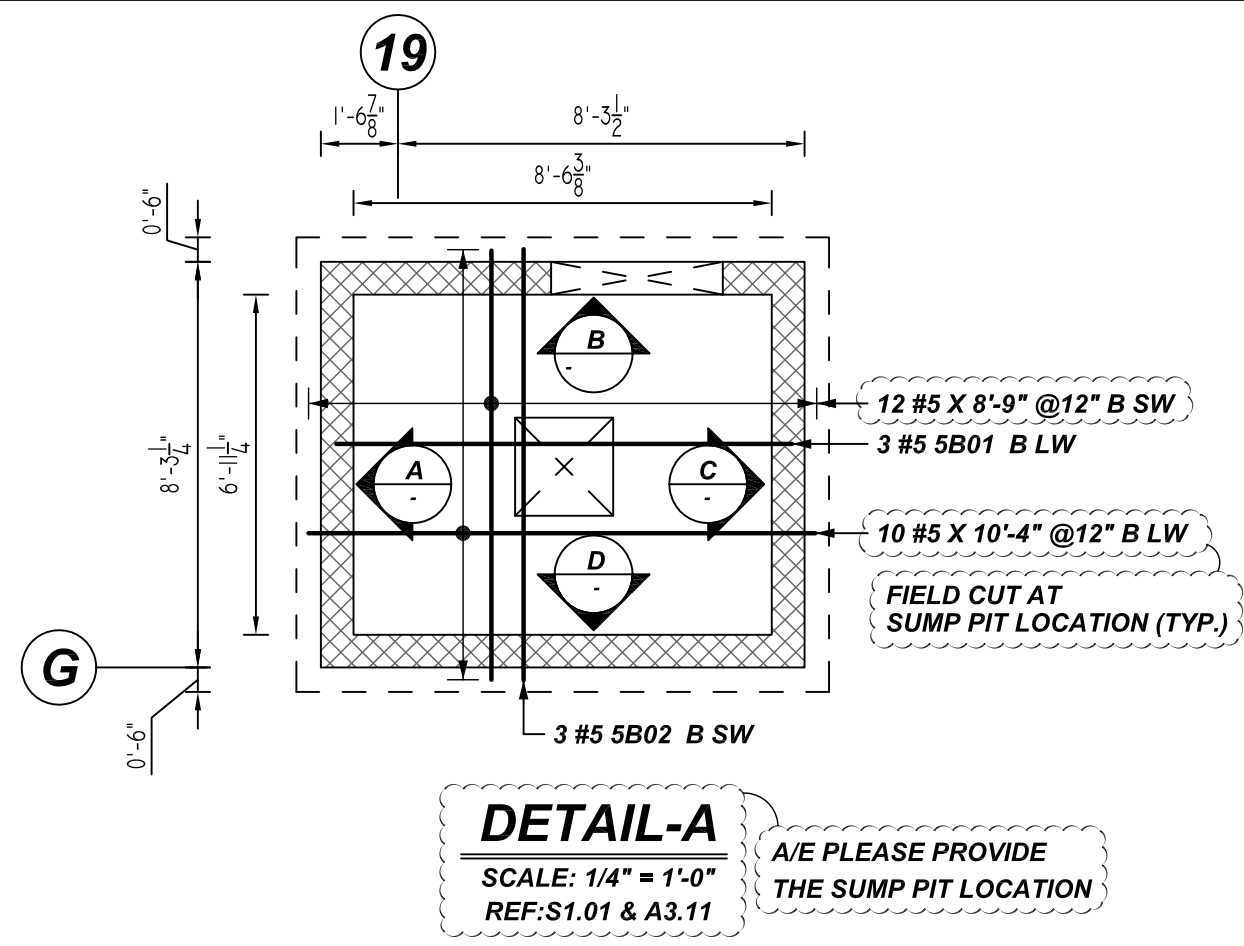


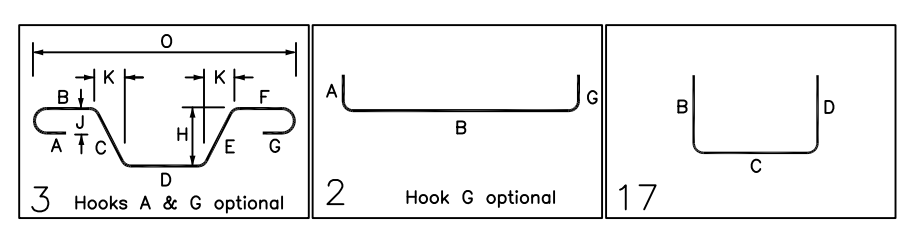
**NOTICE**  
 SHORTAGES, IMPROPER FABRICATION OR CLAIMS FOR ANY OTHER REASON MUST BE REPORTED TO THIS COMPANY WITHIN 10 DAYS FROM ORIGINAL DELIVERY. THIS COMPANY ALSO RESERVES THE RIGHT TO FIELD INSPECT MATERIALS PRIOR TO REPLACEMENT OR RECONDITIONING OF MATERIALS AND WILL NOT BE LIABLE FOR CHARGES FROM WORK DONE IN THE FIELD WITHOUT PRIOR AUTHORIZATION FROM THIS COMPANY.

REINFORCING STEEL PLACING DRAWING ONLY. USE IN CONJUNCTION WITH CONTRACT DRAWINGS & SPECIFICATIONS. ELEVATIONS & DIMENSIONS SHOWN ON DRAWING ARE FOR DETAILING PURPOSES ONLY AND SHOULD NOT BE USED FOR CONSTRUCTION UNLESS VERIFIED BY ENGINEER OR CONTRACTOR.



Release Number: R03

Bar Mark	Qty	Size	Total Length	Type	X'	Y'	X'	Y'	X'	Y'	X'	Y'	X'	Y'
S801	3	#5	10'-10"	3	1'-0"	2'-6 1/2"	3'-9 1/2"	2'-6 1/2"	1'-0"	1'-9 1/2"	1'-9 1/2"	8'-9 1/2"		
S802	3	#5	10'-10"	3	0'-9"	2'-6 1/2"	3'-9 1/2"	2'-6 1/2"	0'-9"	1'-9 1/2"	1'-9 1/2"	8'-9 1/2"		
S803	13	#5	8'-4"	2	0'-10"	6'-4"								
S804	13	#5	8'-4"	2	0'-10"	7'-4"								
S805	17	#5	7'-10"	17	3'-11"	3'-11"								



**TYPICAL REINFORCING BAR CLEARANCE TABLE**

LOCATION	MIN. COVER
FOOTING SIDE & BOTTOM	3" CLR

**ALL BARS IN THIS DRAWING  
 ASTM A615 GRADE 60  
 BLACK UNCOATED**

**LAP SCHEDULE**  
 3000 PSI (CLASS-B) CASE - 1  
 Per ACI :318 (12.2.2)

BAR#	LENGTHS	
	TOP	OTHERS
#3	2'-4"	1'-10"
#4	3'-1"	2'-5"
#5	3'-11"	3'-0"
#6	4'-8"	3'-7"
#7	6'-9"	5'-3"
#8	7'-9"	6'-0"
#9	8'-9"	6'-9"
#10	9'-10"	7'-7"
#11	10'-11"	8'-5"

**CMU LAP SCHEDULE**  
 Per ACI :318 (12.2.2)

BAR#	48 x BAR DIA	LENGTHS
#3		1'-6"
#4		2'-0"
#5		2'-6"
#6		3'-0"

ALL TOP BARS ARE DEFINED AS HORIZ BARS WITH MORE THAN 12" OF CONCRETE BELOW BARS.

A/E PLEASE VERIFY THE LAP VALUE

**REBAR GRADE 60 ASTM A-615**

SPLICES USED		ABBREVIATIONS		BAR MARK SIZE EQUIVALENT	
CLASS B 4,000 psi UNO		ADD.	= Additional	Imperial	Soft Metric
TOP BARS	OTHER BARS	B.O.W.	= Bottom of wall	#3	#10
#3	#3	C.B.	= Corner Bars	#4	#13
#4	#4	DIAG.	= Diagonal	#5	#16
#5	#5	D.O.	= Door Opening	#6	#19
#6	#6	DWLS.	= Dowels	#7	#22
#7	#7	E.F.	= Each Face	#8	#25
#8	#8	E.S.	= Each Side	#9	#29
#9	#9	E.W.	= Each Way	#10	#32
#10	#10	FTG.	= Footing	#11	#36
#11	#11	F.F.	= Far Face		
#14	#14	HORIZ.	= Horizontal		
		I.F.	= Inside Face		
		INTERS.	= Intersection		
		L.W.	= long Way		
		N.F.	= Near Face		
		O.F.	= Outside Face		
		S.W.	= Short Way		
		T&B	= Top & Bottom		
		T.O.W.	= Top of Wall		
		Trans.	= Transverse		
		VERT.	= Vertical		

**FAIRBANK LODGE**  
 ELEVATOR PIT REINFORCEMENT DETAILS  
 NORTH CONWAY, NH

CUSTOMER: ATLANTIC CONSTRUCTION GROUP  
 DESIGNER: -

REV NO	DATE	APPROVAL	SENT FOR	REV NO	DATE	SENT FOR
0	04.13.22					

DRAWN BY	DATE	JOB NO	SHEET NO.
RTP/MET	04.13.22	M92270248P	R03