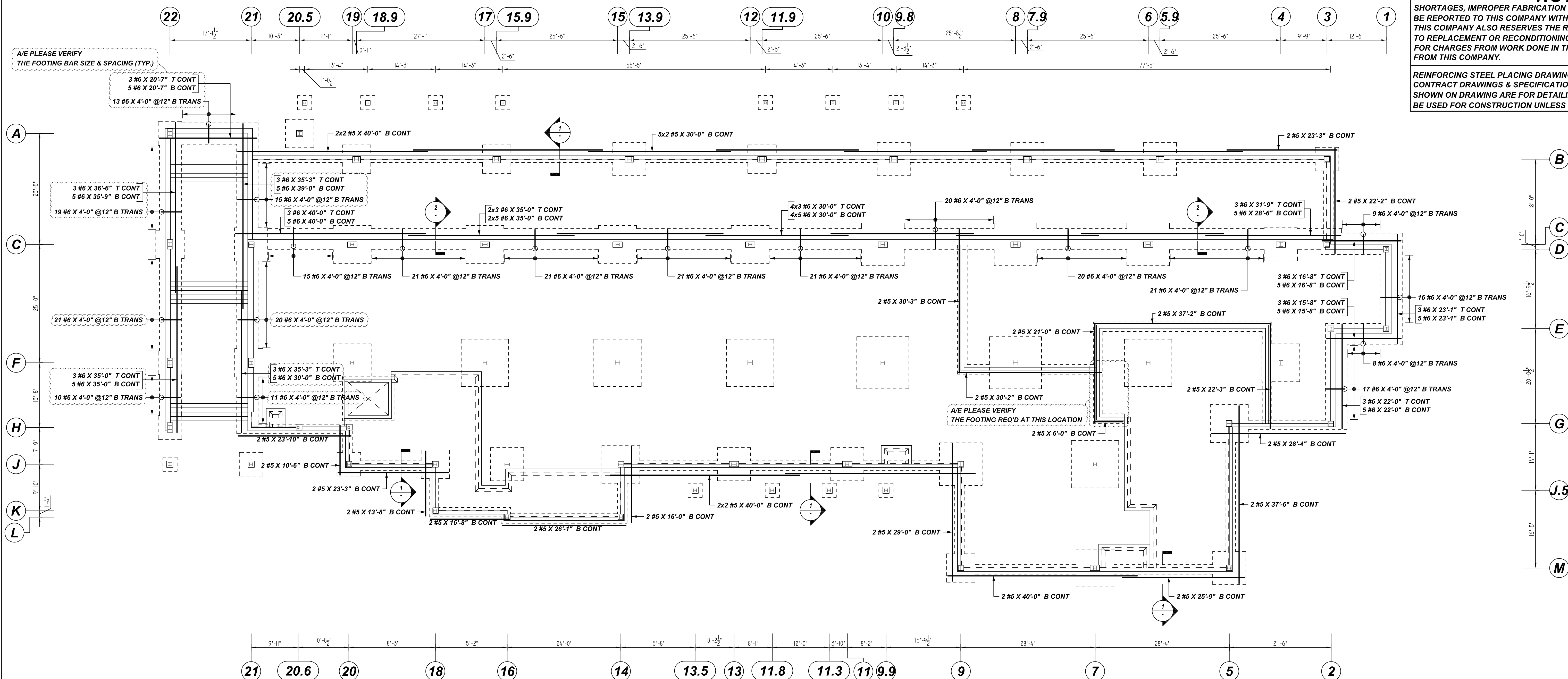


NOTICE

SHORTAGES, IMPROPER FABRICATION OR CLAIMS FOR ANY OTHER REASON MUST BE REPORTED TO THIS COMPANY WITHIN 10 DAYS FROM ORIGINAL DELIVERY. THIS COMPANY ALSO RESERVES THE RIGHT TO FIELD INSPECT MATERIALS PRIOR TO REPLACEMENT OR RECONDITIONING OF MATERIALS AND WILL NOT BE LIABLE FOR CHARGES FROM WORK DONE IN THE FIELD WITHOUT PRIOR AUTHORIZATION FROM THIS COMPANY.

REINFORCING STEEL PLACING DRAWING ONLY. USE IN CONJUNCTION WITH CONTRACT DRAWINGS & SPECIFICATIONS. ELEVATIONS & DIMENSIONS SHOWN ON DRAWING ARE FOR DETAILING PURPOSES ONLY AND SHOULD NOT BE USED FOR CONSTRUCTION UNLESS VERIFIED BY ENGINEER OR CONTRACTOR.



CONTINUOUS FOOTING REINFORCEMENT DETAILS

SCALE: 3/32" = 1'-0"
REF: S1.01

TYPICAL REINFORCING BAR CLEARANCE TABLE

LOCATION	MIN. COVER
FOOTING SIDE & BOTTOM	3" CLR
FOOTING TOP	2" CLR

**ALL BARS IN THIS DRAWING
ASTM A615 GRADE 60
BLACK UNCOATED**

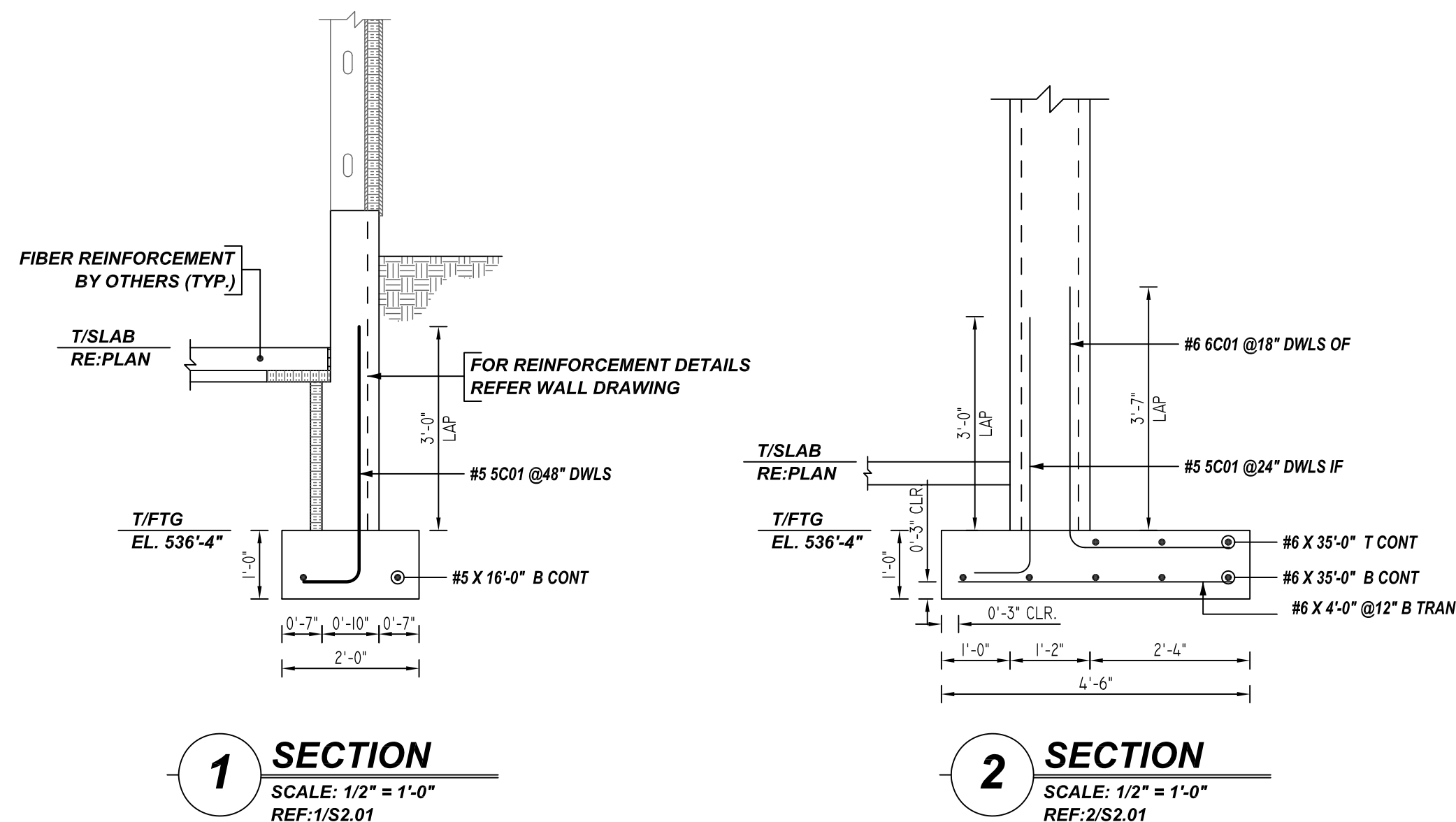
LAP SCHEDULE

3000 PSI (CLASS-B) CASE - 1
Per ACI 318 (12.2.2)

BAR#	LENGTHS	
	TOP	OTHERS
#3	2'-4"	1'-10"
#4	3'-1"	2'-5"
#5	3'-11"	3'-0"
#6	4'-8"	3'-7"
#7	6'-9"	5'-3"
#8	7'-9"	6'-0"
#9	8'-9"	6'-9"
#10	9'-10"	7'-7"
#11	10'-11"	8'-5"

ALL TOP BARS ARE DEFINED AS HORIZ BARS WITH MORE THAN 12" OF CONCRETE BELOW BARS.

A/E PLEASE VERIFY THE LAP VALUE



REBAR GRADE 60 ASTM A-615

SPLICES USED

CLASS B 4,000 psi UNO

TOP BARS	OTHER BARS
#3 -	#3 -
#4 -	#4 -
#5 -	#5 -
#6 -	#6 -
#7 -	#7 -
#8 -	#8 -
#9 -	#9 -
#10 -	#10 -
#11 -	#11 -
#14 -	#14 -

ABBREVIATIONS

- ADD. = Additional
- B.O.W. = Bottom of wall
- C.B. = Corner Bars
- DIAG. = Diagonal
- D.O. = Door Opening
- DWLS. = Dowels
- E.F. = Each Face
- E.S. = Each Side
- E.W. = Each Way
- FTG. = Footing
- F.F. = Far Face
- HORIZ. = Horizontal
- I.F. = Inside Face
- INTERS. = Intersection
- L.W. = Long Way
- N.F. = Near Face
- O.F. = Outside Face
- S.W. = Short Way
- T&B = Top & Bottom
- T.O.W. = Top of Wall
- Trans. = Transverse
- VERT. = Vertical

BAR MARK SIZE EQUIVALENT

Imperial	Soft Metric
#3	#10
#4	#13
#5	#16
#6	#19
#7	#22
#8	#25
#9	#29
#10	#32
#11	#36

FAIRBANK LODGE
CONTINUOUS FOOTING & WALL DOWELS REINFORCEMENT DETAILS
CUSTOMER: ATLANTIC CONSTRUCTION GROUP
DESIGNER: -

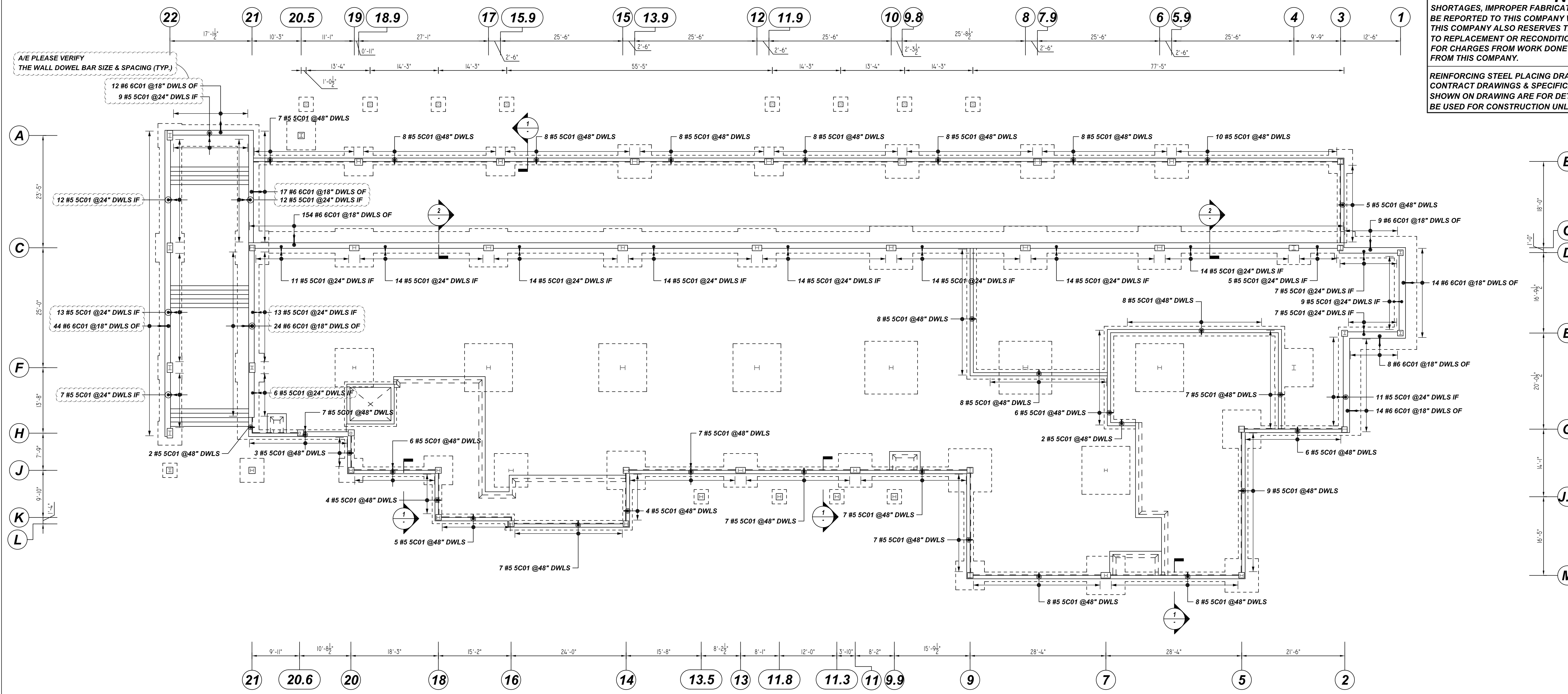
DRAWN BY	DATE	JOB NO	SHEET NO.
RTP/MET	04.14.22	M92270248P	R04

REV NO	DATE	SENT FOR	REV NO	DATE	SENT FOR
0	04.14.22	APPROVAL			

NOTICE

SHORTAGES, IMPROPER FABRICATION OR CLAIMS FOR ANY OTHER REASON MUST BE REPORTED TO THIS COMPANY WITHIN 10 DAYS FROM ORIGINAL DELIVERY. THIS COMPANY ALSO RESERVES THE RIGHT TO FIELD INSPECT MATERIALS PRIOR TO REPLACEMENT OR RECONDITIONING OF MATERIALS AND WILL NOT BE LIABLE FOR CHARGES FROM WORK DONE IN THE FIELD WITHOUT PRIOR AUTHORIZATION FROM THIS COMPANY.

REINFORCING STEEL PLACING DRAWING ONLY. USE IN CONJUNCTION WITH CONTRACT DRAWINGS & SPECIFICATIONS. ELEVATIONS & DIMENSIONS SHOWN ON DRAWING ARE FOR DETAILING PURPOSES ONLY AND SHOULD NOT BE USED FOR CONSTRUCTION UNLESS VERIFIED BY ENGINEER OR CONTRACTOR.

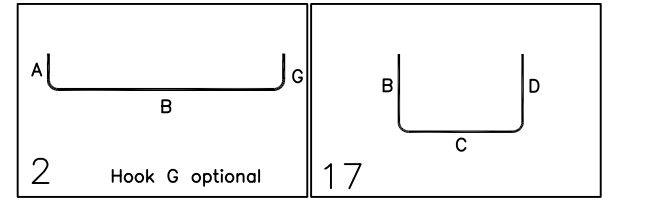


WALL DOWELS REINFORCEMENT DETAILS

SCALE: 3/32" = 1'-0"
REF: S1.01

Release Number: R05

Bar Mark	Qty	Size	Total Length	Type	X	Y	Z	W	V	U	T	S	R	Q	P	O	N	M	L	K	J	I	H	G	F	E	D	C	B	A
3001	426	#5	4'-7"	2	0'-10"	3'-9"																								
8001	296	#5	6'-11"	17	2'-3"	3'-10"																								



TYPICAL REINFORCING BAR CLEARANCE TABLE

LOCATION	MIN. COVER
FOOTING SIDE & BOTTOM	3" CLR
FOOTING TOP	2" CLR

**ALL BARS IN THIS DRAWING
ASTM A615 GRADE 60
BLACK UNCOATED**

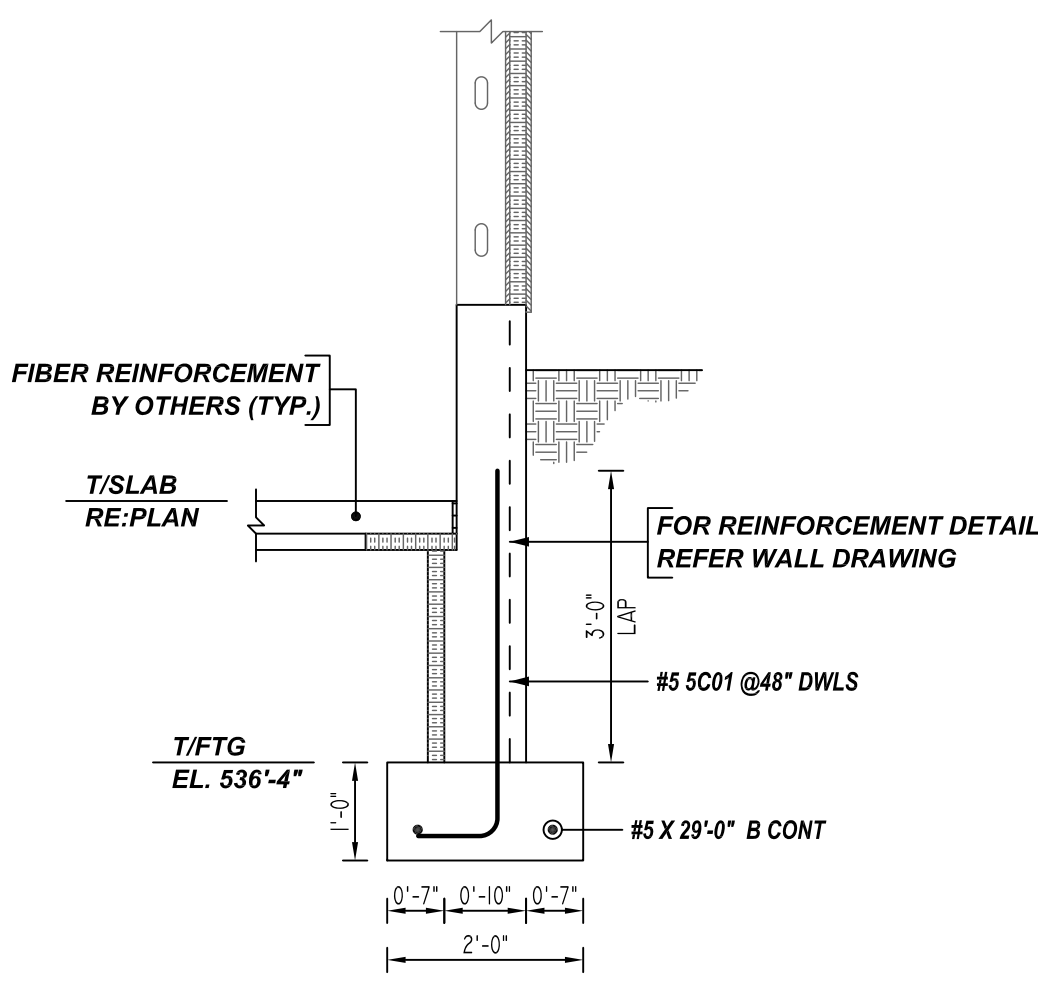
LAP SCHEDULE

3000 PSI (CLASS-B) CASE - 1
Per ACI-318 (12.2.2)

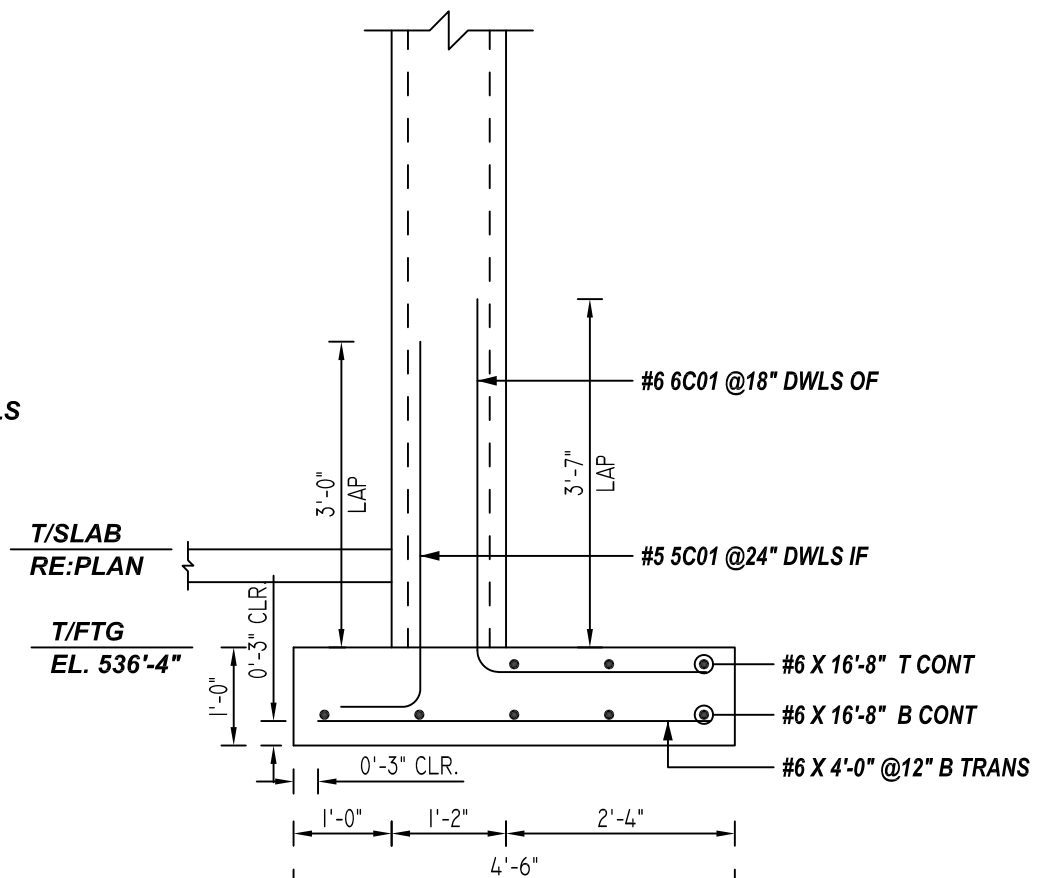
BAR#	LENGTHS	
	TOP	OTHERS
#3	2'-4"	1'-10"
#4	3'-1"	2'-5"
#5	3'-11"	3'-0"
#6	4'-8"	3'-7"
#7	6'-9"	5'-3"
#8	7'-9"	6'-0"
#9	8'-9"	6'-9"
#10	9'-10"	7'-7"
#11	10'-11"	8'-5"

ALL TOP BARS ARE DEFINED AS HORIZ BARS WITH MORE THAN 12" OF CONCRETE BELOW BARS.

A/E PLEASE VERIFY THE LAP VALUE



1 SECTION
SCALE: 1/2" = 1'-0"
REF: 2/S2.01



2 SECTION
SCALE: 1/2" = 1'-0"
REF: 2/S2.01

REBAR GRADE 60 ASTM A-615

SPLICES USED

CLASS B 4,000 psi UNO

TOP BARS	OTHER BARS
#3	#3
#4	#4
#5	#5
#6	#6
#7	#7
#8	#8
#9	#9
#10	#10
#11	#11
#14	#14

ABBREVIATIONS

- ADD. = Additional
- B.O.W. = Bottom of wall
- C.B. = Corner Bars
- DIAG. = Diagonal
- D.O. = Door Opening
- D.W.S. = Dowels
- E.F. = Each Face
- E.S. = Each Side
- E.W. = Each Way
- FTG. = Footing
- F.F. = Far Face
- HORIZ. = Horizontal
- I.F. = Inside Face
- INTERS. = Intersection
- L.W. = long Way
- N.F. = Near Face
- O.F. = Outside Face
- S.W. = Short Way
- T&B = Top & Bottom
- T.O.W. = Top of Wall
- Trans. = Transverse
- VERT. = Vertical

BAR MARK SIZE EQUIVALENT

Imperial	Soft Metric
#3	#10
#4	#13
#5	#16
#6	#19
#7	#22
#8	#25
#9	#29
#10	#32
#11	#36

FAIRBANK LODGE
CONTINUOUS FOOTING & WALL DOWELS REINFORCEMENT DETAILS

CUSTOMER: ATLANTIC CONSTRUCTION GROUP

DESIGNER: -

REV NO	DATE	APPROVAL	SENT FOR	REV NO	DATE	SENT FOR
0	04.14.22					

DRAWN BY	DATE	JOB NO	SHEET NO.
RTP/MET	04.14.22	M92270248P	R05