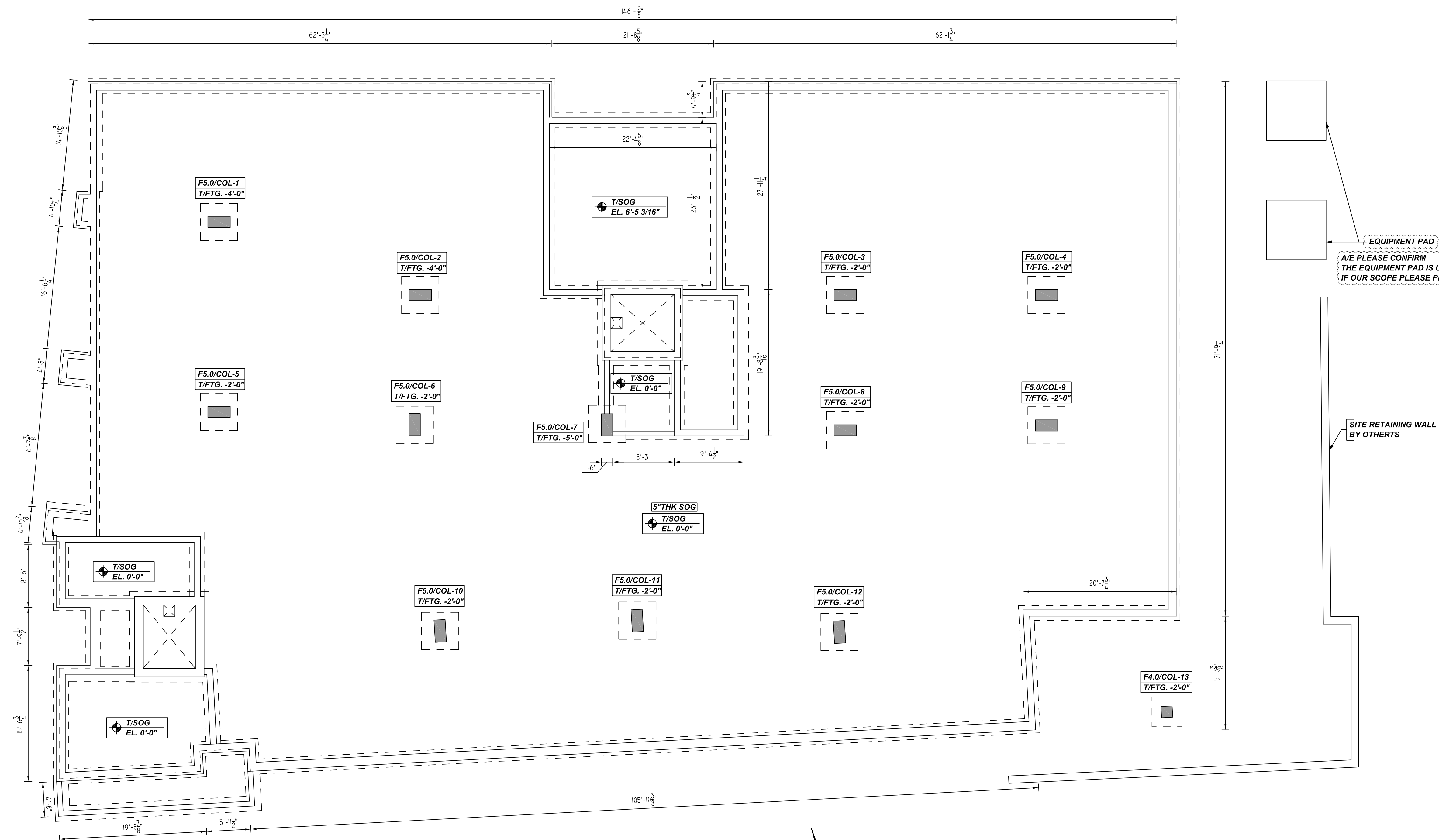


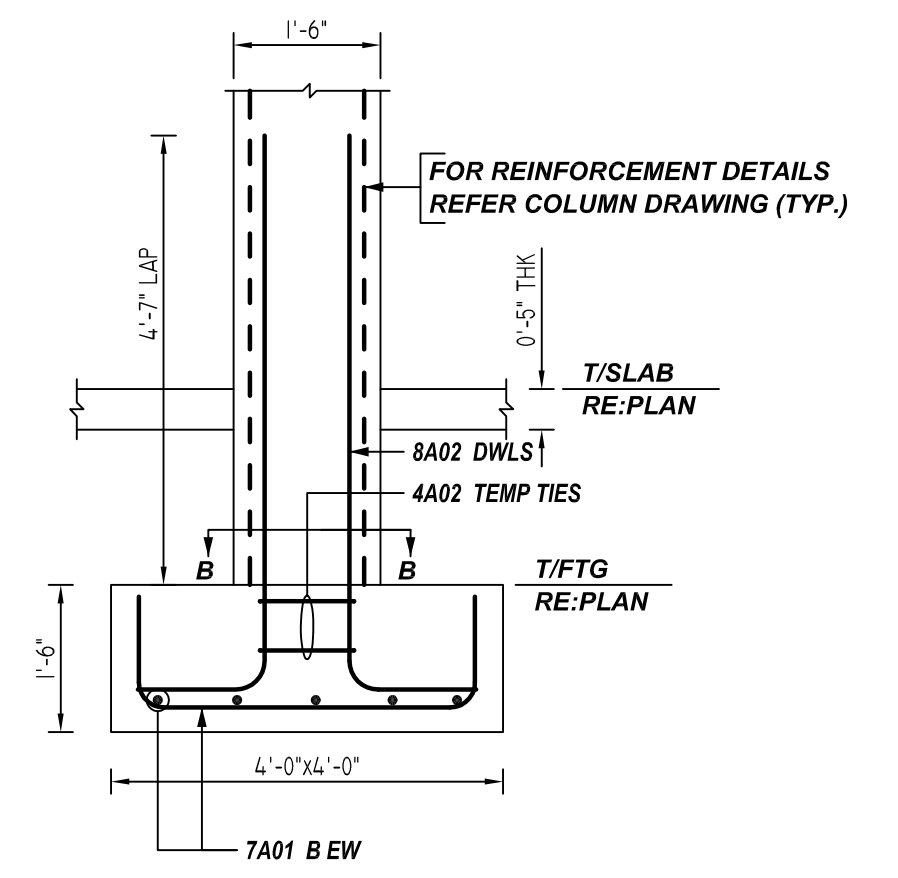
NOTICE
 SHORTAGES, IMPROPER FABRICATION OR CLAIMS FOR ANY OTHER REASON MUST BE REPORTED TO THIS COMPANY WITHIN 10 DAYS FROM ORIGINAL DELIVERY. THIS COMPANY ALSO RESERVES THE RIGHT TO FIELD INSPECT MATERIALS PRIOR TO REPLACEMENT OR RECONDITIONING OF MATERIALS AND WILL NOT BE LIABLE FOR CHARGES FROM WORK DONE IN THE FIELD WITHOUT PRIOR AUTHORIZATION FROM THIS COMPANY.

REINFORCING STEEL PLACING DRAWING ONLY. USE IN CONJUNCTION WITH CONTRACT DRAWINGS & SPECIFICATIONS. ELEVATIONS & DIMENSIONS SHOWN ON DRAWING ARE FOR DETAILING PURPOSES ONLY AND SHOULD NOT BE USED FOR CONSTRUCTION UNLESS VERIFIED BY ENGINEER OR CONTRACTOR.

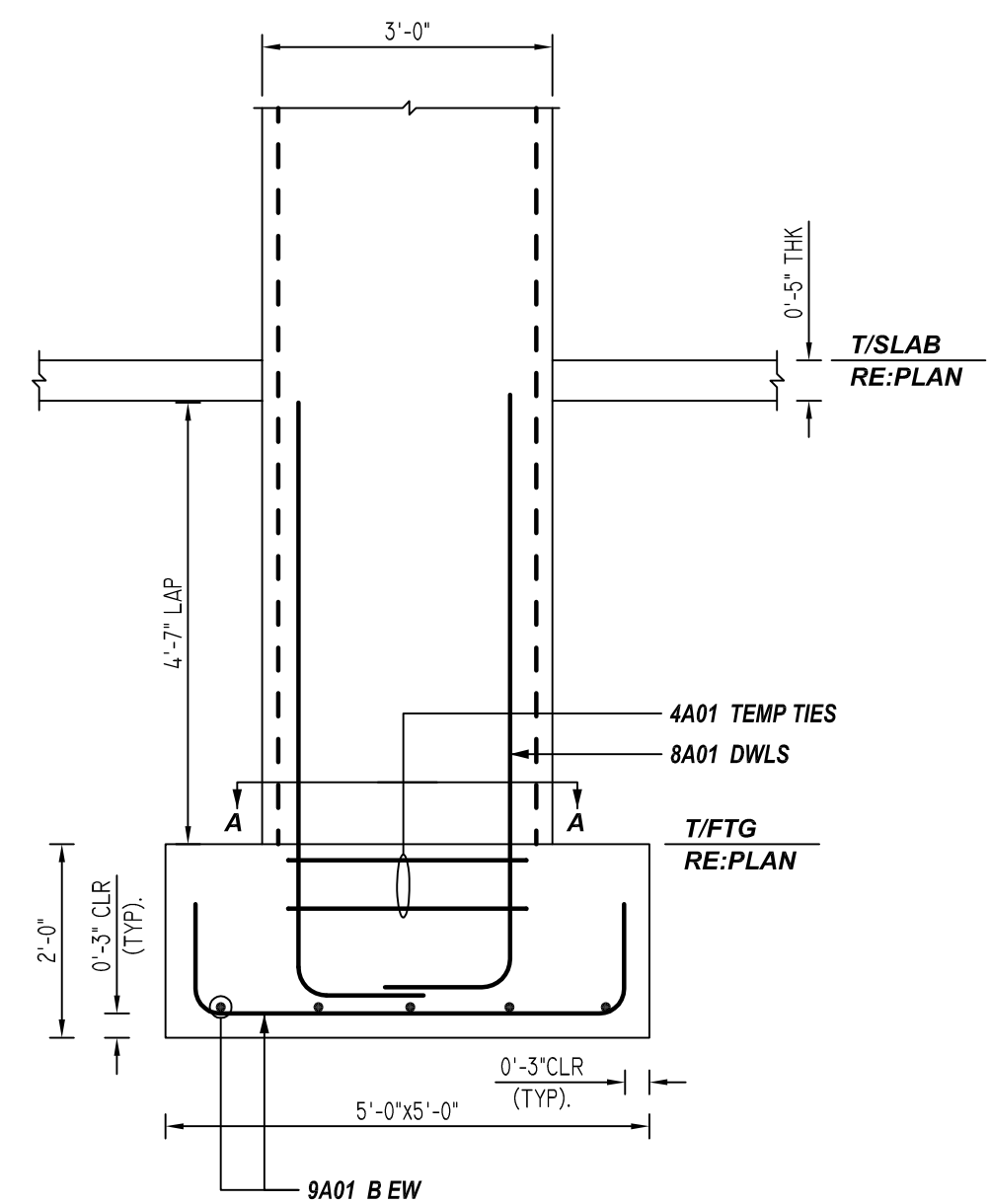


EQUIPMENT PAD
 A/E PLEASE CONFIRM THE EQUIPMENT PAD IS UNDER OUR SCOPE (OR) NOT IF OUR SCOPE PLEASE PROVIDE THE DETAILS

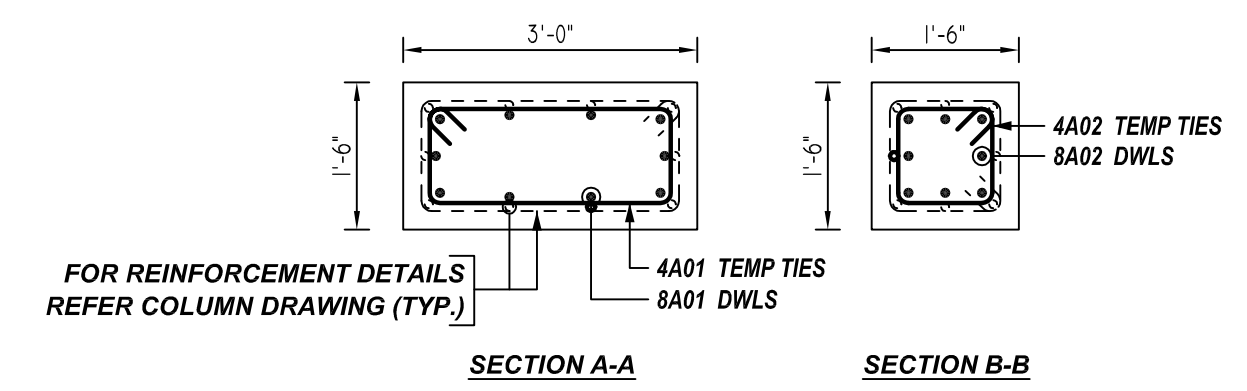
SITE RETAINING WALL BY OTHERS



1 SECTION
 SCALE: 1/2" = 1'-0"
 REF: S202 (DT.03/17/22)



2 SECTION
 SCALE: 1/2" = 1'-0"
 REF: S202 (DT.03/17/22)



3 SECTION
 SCALE: 1/2" = 1'-0"
 REF: S206(SIM.) (DT.03/17/22)

LEGEND:
 F5.0 - FOOTING MARK
 COL-1 - COLUMN MARK

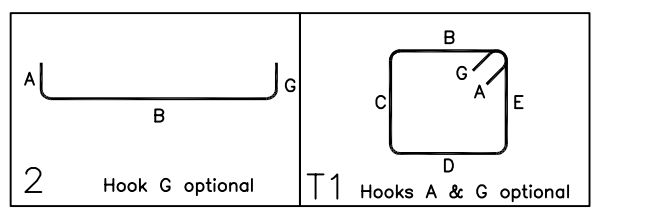
SPREAD FOOTING REINFORCEMENT DETAILS
 SCALE: 1/8" = 1'-0"
 REF: S101 (DT.06/29/22)

FOOTING/COLUMN SCHEDULE

MARK	QTY	SIZE	REINFORCING	REMARK
F4.0/COL-13	1	4'-0"x4'-0"x1'-6"	2x5 #7 7A01 B EW 8 #8 8A02 DWLS 2 #4 4A02 TEMP TIES	REFER SECTION 1,2&3
F5.0/COL-12	12	5'-0"x5'-0"x2'-0"	12x2x5 #9 9A01 B EW 12x10 #8 8A01 DWLS 12x2 #4 4A01 TEMP TIES	

LAP SCHEDULE
 5000 PSI (CLASS-B) CASE - 1
 Per ACI :318 (12.2.2) - FOR COLUMN

BAR#	LENGTHS	
	TOP	OTHERS
#3	1'-10"	1'-5"
#4	2'-5"	1'-10"
#5	3'-0"	2'-4"
#6	3'-7"	2'-9"
#7	5'-3"	4'-1"
#8	6'-0"	4'-7"



TYPICAL REINFORCING BAR CLEARANCE TABLE

LOCATION	MIN. COVER
FOOTING SIDE & BOTTOM	3" CLR
FOOTING TOP	2" CLR
COLUMN SIDE	2" CLR

ALL BARS IN THIS DRAWING
 ASTM A615 GRADE 60
 BLACK UNCOATED

REBAR GRADE 60 ASTM A-615

SPLICES USED

CLASS B 4,000 psi UNO

TOP BARS	OTHER BARS
#3	#3
#4	#4
#5	#5
#6	#6
#7	#7
#8	#8
#9	#9
#10	#10
#11	#11
#14	#14

ABBREVIATIONS
 ADD. = Additional
 B.O.W. = Bottom of wall
 C.B. = Corner Bars
 DIAG. = Diagonal
 D.O. = Door Opening
 DWLS. = Dowels
 E.F. = Each Face
 E.S. = Each Side
 E.W. = Each Way
 FTG. = Footing
 F.F. = Far Face
 HORIZ. = Horizontal
 I.F. = Inside Face
 INTERS. = Intersection
 L.W. = long Way
 N.F. = Near Face
 O.F. = Outside Face
 S.W. = Short Way
 T&B = Top & Bottom
 T.O.W. = Top of Wall
 Trans. = Transverse
 VERT. = Vertical

BAR MARK SIZE EQUIVALENT

Imperial	Soft Metric
#3	#10
#4	#13
#5	#16
#6	#19
#7	#22
#8	#25
#9	#29
#10	#32
#11	#36

LIBERTY PARK 48 UNITS
 SPREAD FOOTING REINFORCEMENT DETAILS
 UNION CITY, NJ

CUSTOMER: TORRES ATENO
 DESIGNER: JT ENGINEERING

REV NO	DATE	SENT FOR	REV NO	DATE	SENT FOR
0	07.28.22	APPROVAL			

DRAWN BY	DATE	JOB NO	SHEET NO.
RTP/SS	07.28.22	M92270614P	R01