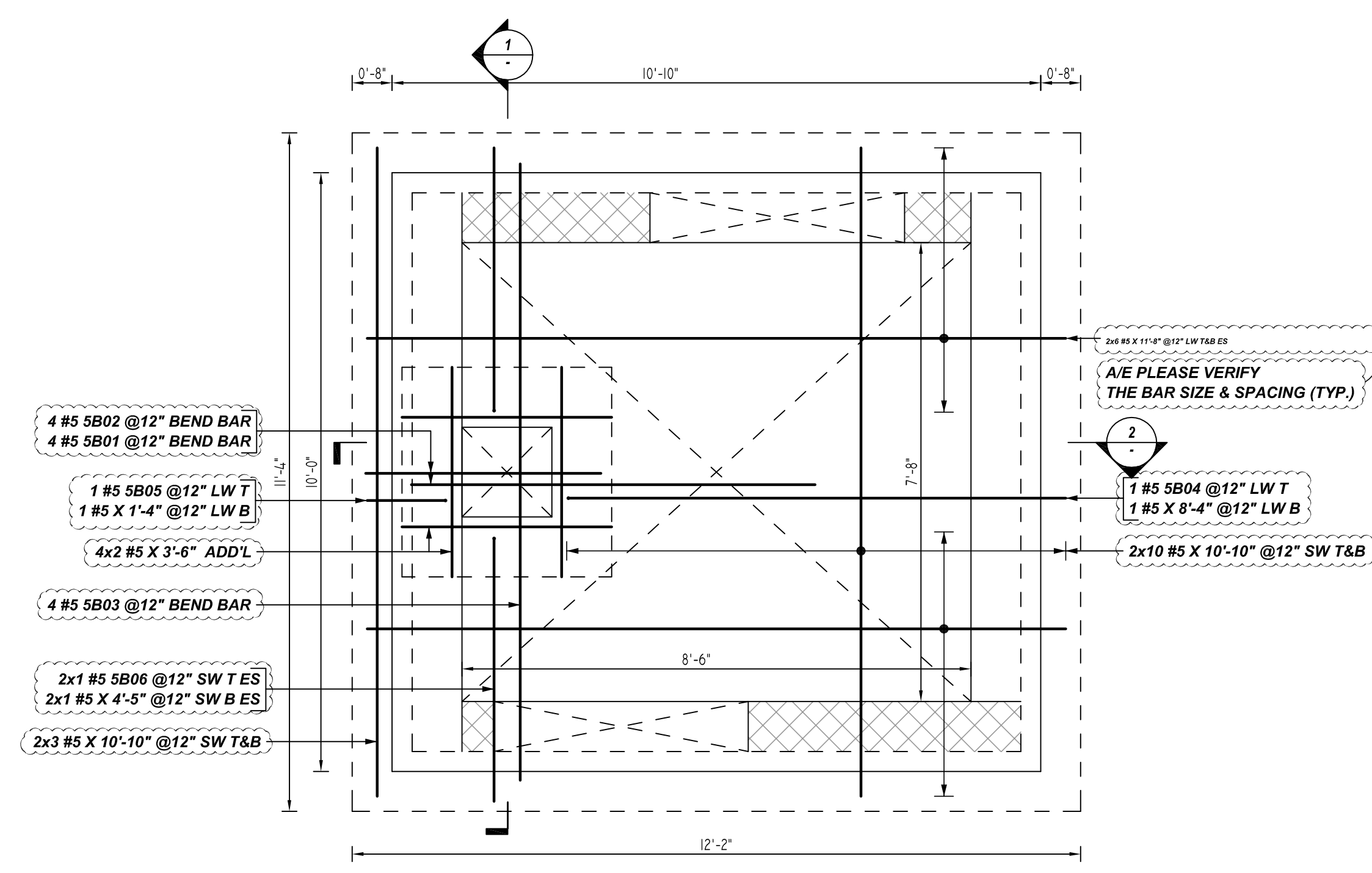


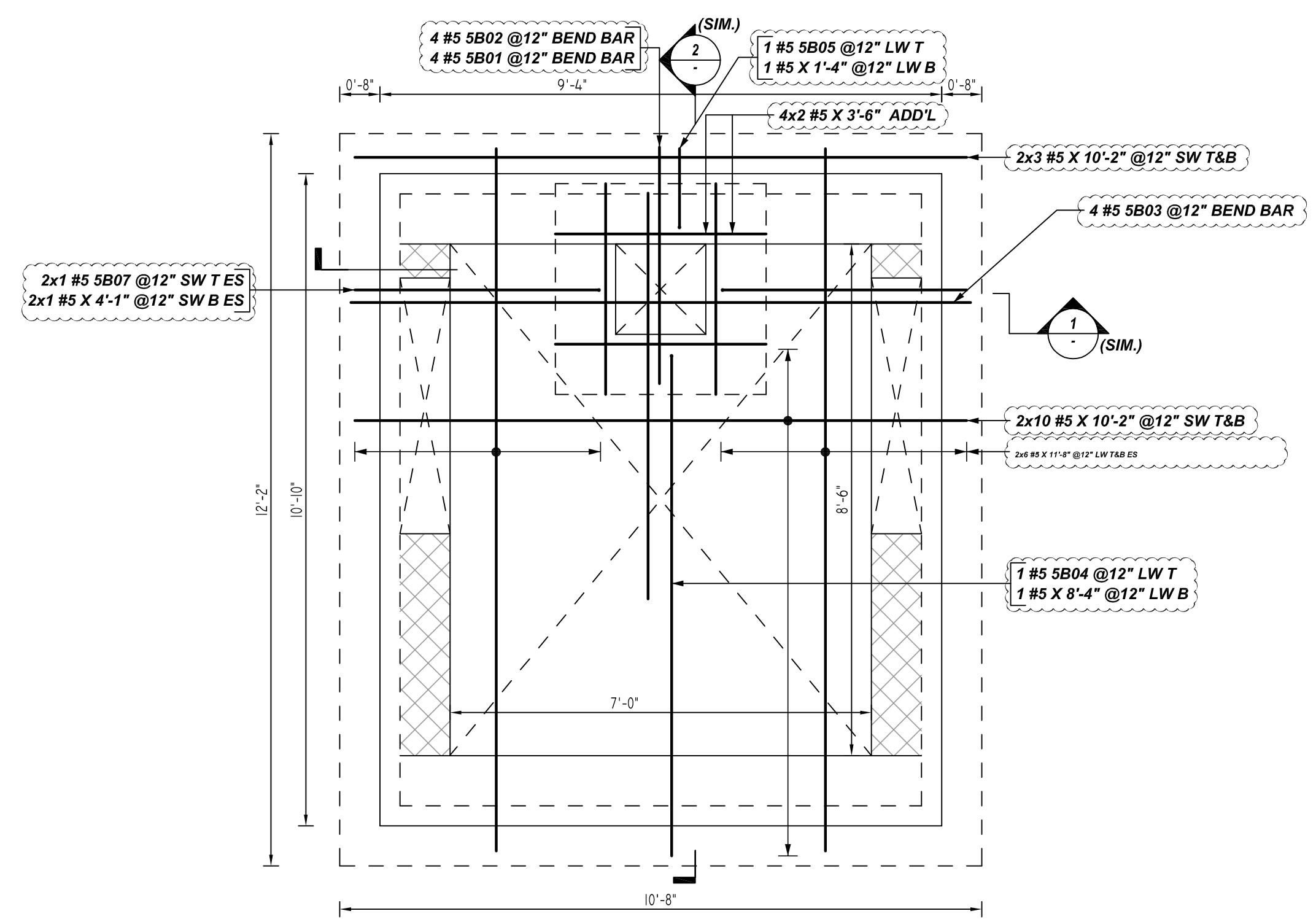
**NOTICE**

SHORTAGES, IMPROPER FABRICATION OR CLAIMS FOR ANY OTHER REASON MUST BE REPORTED TO THIS COMPANY WITHIN 10 DAYS FROM ORIGINAL DELIVERY. THIS COMPANY ALSO RESERVES THE RIGHT TO FIELD INSPECT MATERIALS PRIOR TO REPLACEMENT OR RECONDITIONING OF MATERIALS AND WILL NOT BE LIABLE FOR CHARGES FROM WORK DONE IN THE FIELD WITHOUT PRIOR AUTHORIZATION FROM THIS COMPANY.

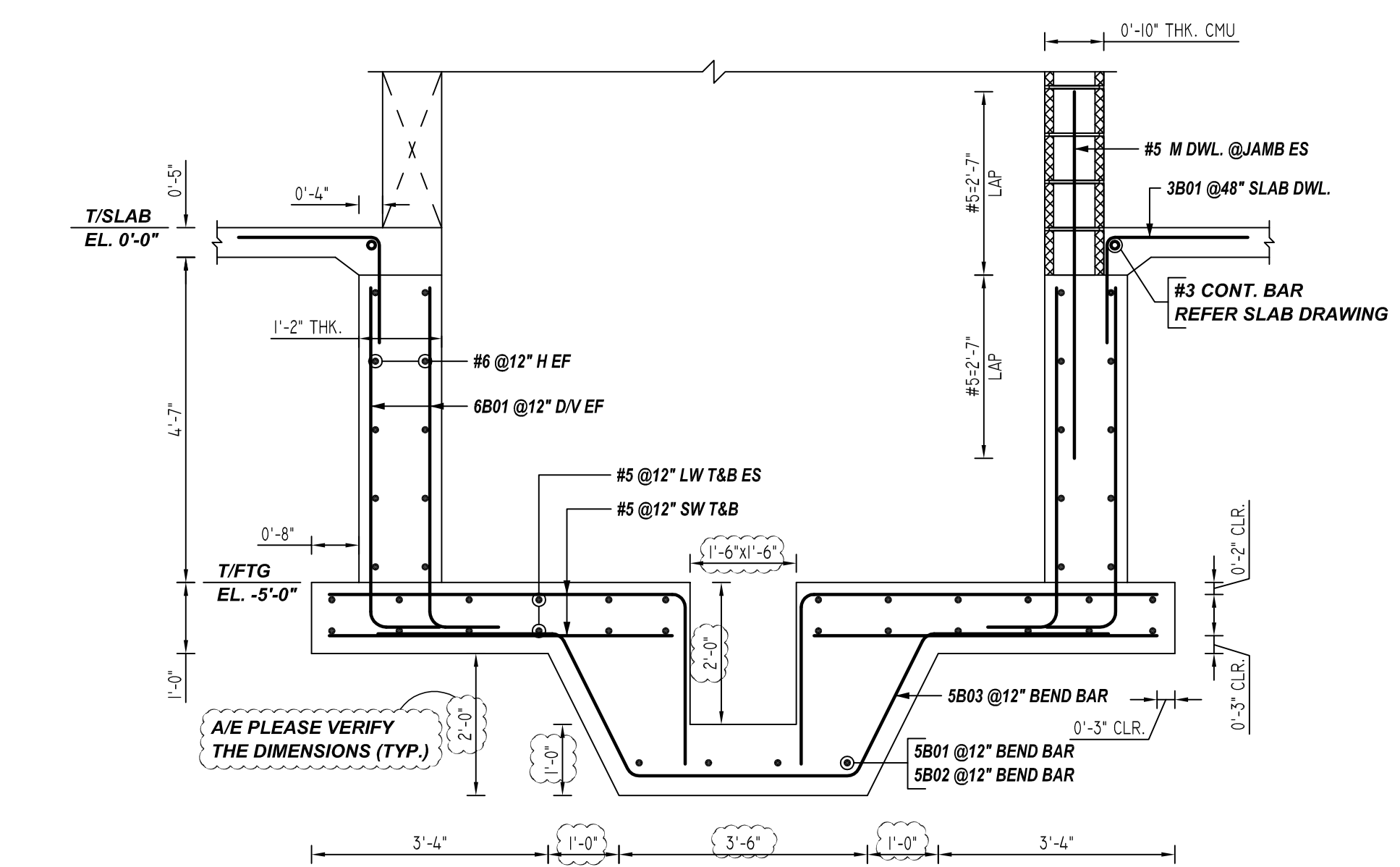
REINFORCING STEEL PLACING DRAWING ONLY. USE IN CONJUNCTION WITH CONTRACT DRAWINGS & SPECIFICATIONS. ELEVATIONS & DIMENSIONS SHOWN ON DRAWING ARE FOR DETAILING PURPOSES ONLY AND SHOULD NOT BE USED FOR CONSTRUCTION UNLESS VERIFIED BY ENGINEER OR CONTRACTOR.



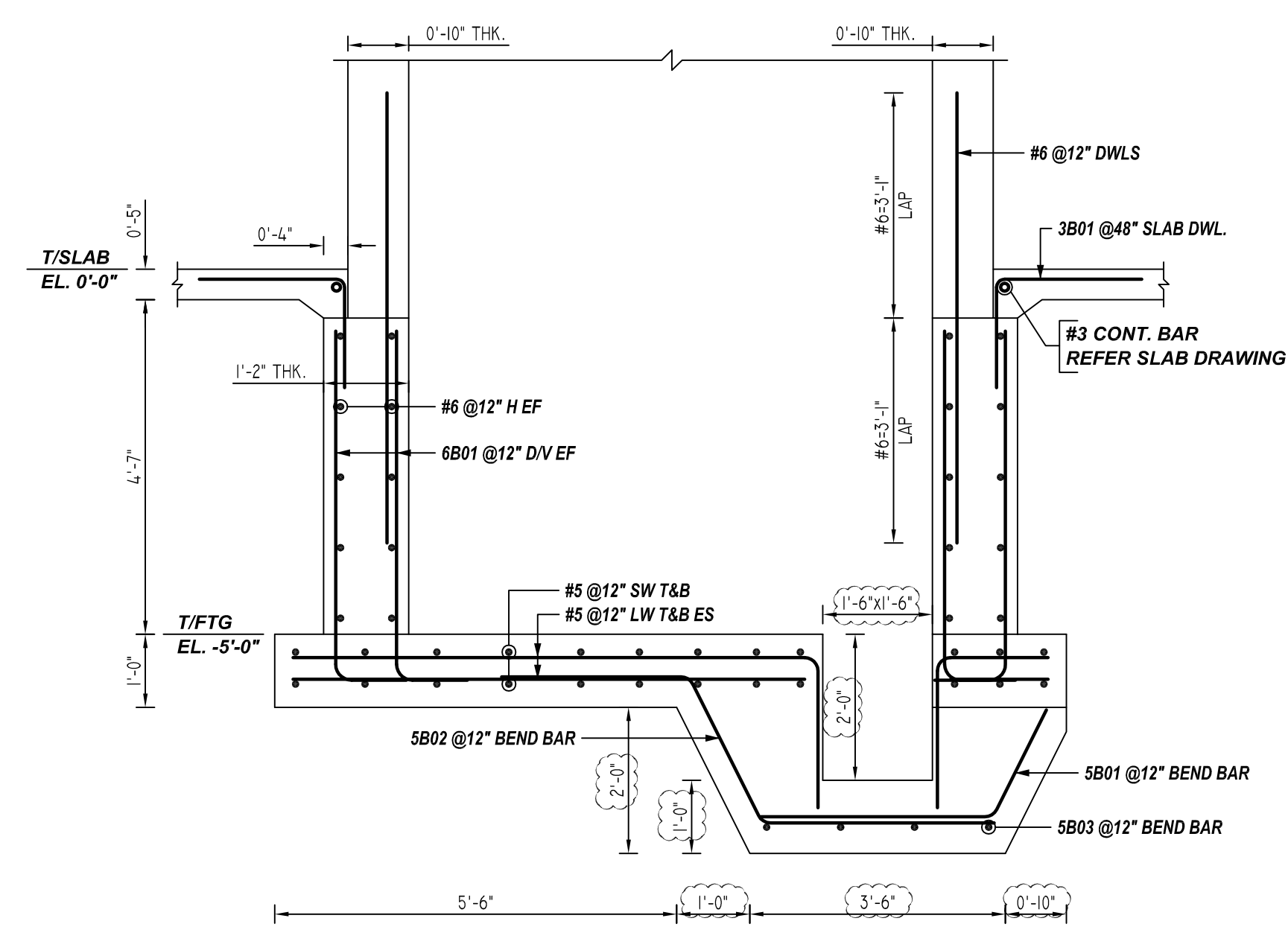
**ELEVATOR-1**  
**DETAIL-A**  
SCALE: 1/2" = 1'-0"  
REF: S101, S204&A-502 (DT.06/29/22)



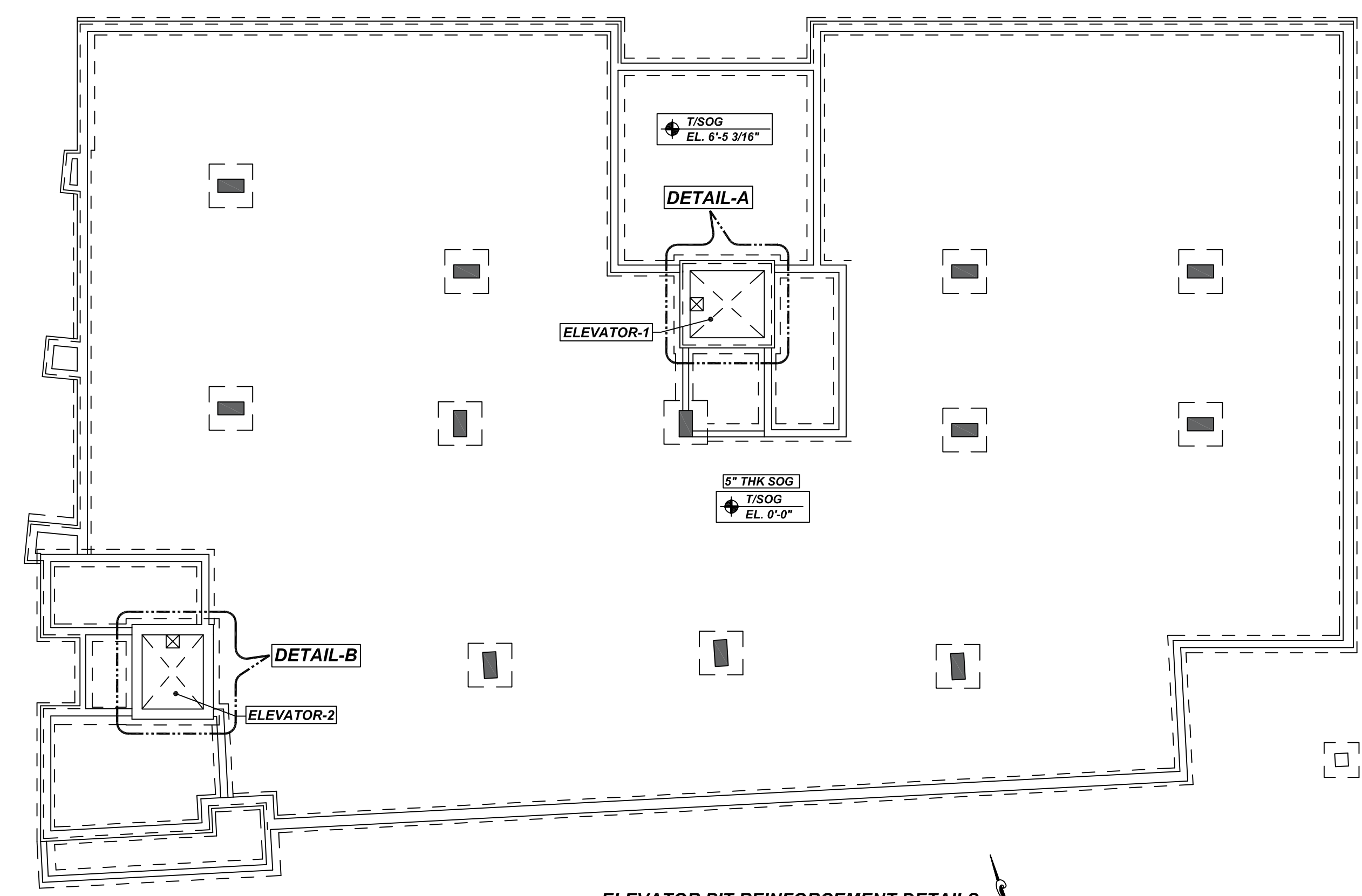
**ELEVATOR-2**  
**DETAIL-B**  
SCALE: 1/4" = 1'-0"  
REF: S101, S204&A-503 (DT.06/29/22)



**1 SECTION**  
SCALE: 1/2" = 1'-0"  
REF: S101, S204 (DT.06/29/22)



**2 SECTION**  
SCALE: 1/2" = 1'-0"  
REF: S101, S204 (DT.06/29/22)



**ELEVATOR PIT REINFORCEMENT DETAILS**  
SCALE: NTS  
REF: S101, S204&A-501 (DT.06/29/22)

Bar Mark	Qty	Size	Total Length	Type	X	Y	Z	BAR LIST
5B01	8	#5	4'-10 3/4"	3	3'-2 1/2"	1'-8"		
5B02	8	#5	8'-0 3/4"	3	2'-7"	2'-3"	3'-2 1/2"	
5B03	8	#5	12'-10 3/4"	3	2'-7"	2'-3"	3'-2 1/2"	2'-3"
5B04	2	#5	10'-9 1/4"	13	2'-5"	6'-4"		
5B05	2	#5	3'-9 1/4"	17	2'-5"	3'-4"		
5B06	2	#5	6'-10 1/4"	17	2'-5"	4'-5"		
5B07	2	#5	6'-8 1/4"	17	2'-5"	4'-1"		

LOCATION	MIN. COVER
FOOTING SIDE & BOTTOM	3" CLR
FOOTING TOP	2" CLR
WALL SIDE	2" CLR

**FOUNDATION LAP SCHEDULE**

4000 PSI (CLASS-B) CASE - 1  
Per ACI :318 (12.2.2)

BAR#	LENGTHS	
	TOP	OTHERS
#3	2'-0"	1'-7"
#4	2'-8"	2'-1"
#5	3'-4"	2'-7"
#6	4'-0"	3'-1"
#7	5'-10"	4'-8"
#8	6'-8"	5'-2"

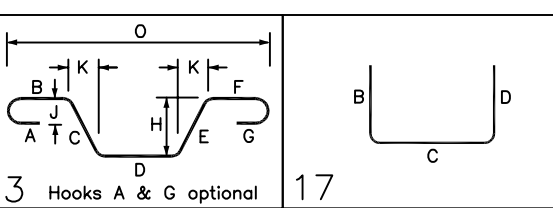
**CMU LAP SCHEDULE**

Per ACI :318 (12.2.2)

BAR#	LENGTHS	
	50 x BAR DIA	
#3	1'-7"	
#4	2'-1"	
#5	2'-7"	
#6	3'-2"	

**REBAR GRADE 60 ASTM A-615**

SPLICES USED		ABBREVIATIONS		BAR MARK SIZE EQUIVALENT	
CLASS B 4,000 psi UNO		ADD.	Additional	Imperial Soft Metric	
TOP BARS	OTHER BARS	B.O.W.	Bottom of wall	#3	#10
#3	#3	C.B.	Corner Bars	#4	#13
#4	#4	DIAG.	Diagonal	#5	#16
#5	#5	D.O.	Door Opening	#6	#19
#6	#6	DWLS.	Dowels	#7	#22
#7	#7	E.F.	Each Face	#8	#25
#8	#8	E.S.	Each Side	#9	#29
#9	#9	E.W.	Each Way	#10	#32
#10	#10	F.F.	Footing	#11	#36
#11	#11	F.F.	Far Face		
#14	#14	HORIZ.	Horizontal		
		I.F.	Inside Face		
		INTERS.	Intersection		
		L.W.	Long Way		
		N.F.	Near Face		
		O.F.	Outside Face		
		S.W.	Short Way		
		T&B	Top & Bottom		
		T.O.W.	Top of Wall		
		Trans.	Transverse		
		VERT.	Vertical		



**ALL BARS IN THIS DRAWING**  
**ASTM A615 GRADE 60**  
**BLACK UNCOATED**

**LIBERTY PARK 48 UNITS**  
ELEVATOR PIT REINFORCEMENT DETAILS  
**UNION CITY, NJ**

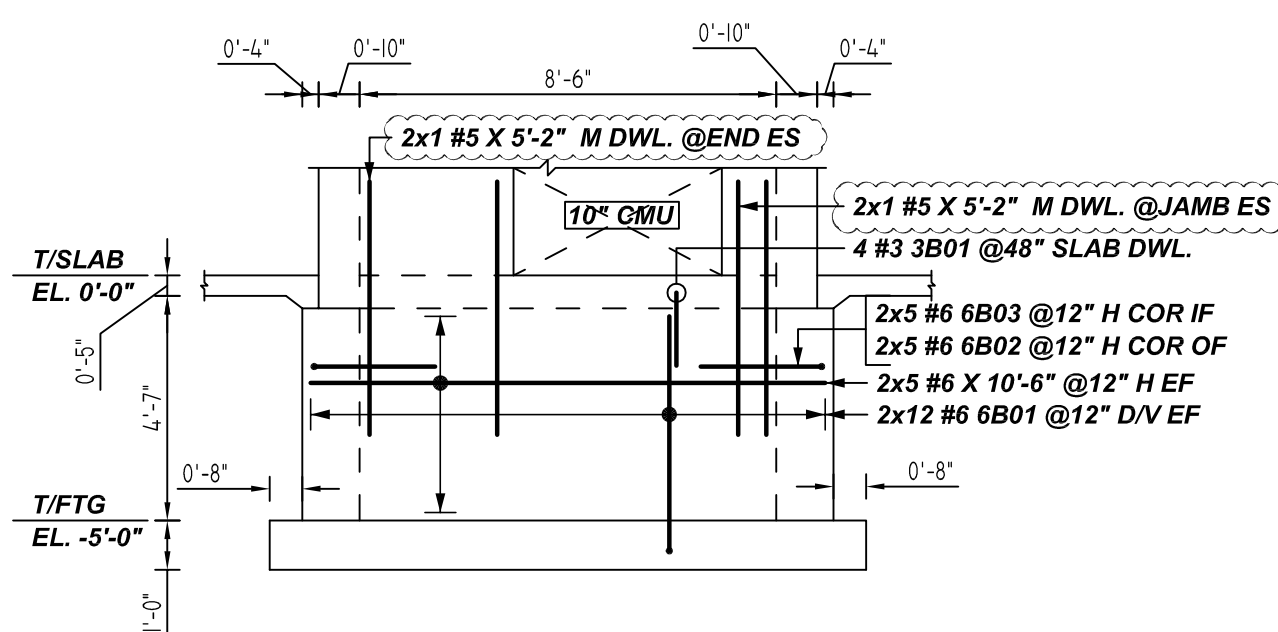
CUSTOMER: TORRES ATENO  
DESIGNER: JT ENGINEERING  
DRAWN BY: DATE: JOB NO: SHEET NO:  
RTP/SS 07.28.22 M92270614P R02

REV NO	DATE	APPROVAL	REV NO	DATE	SENT FOR
0	07.28.22				

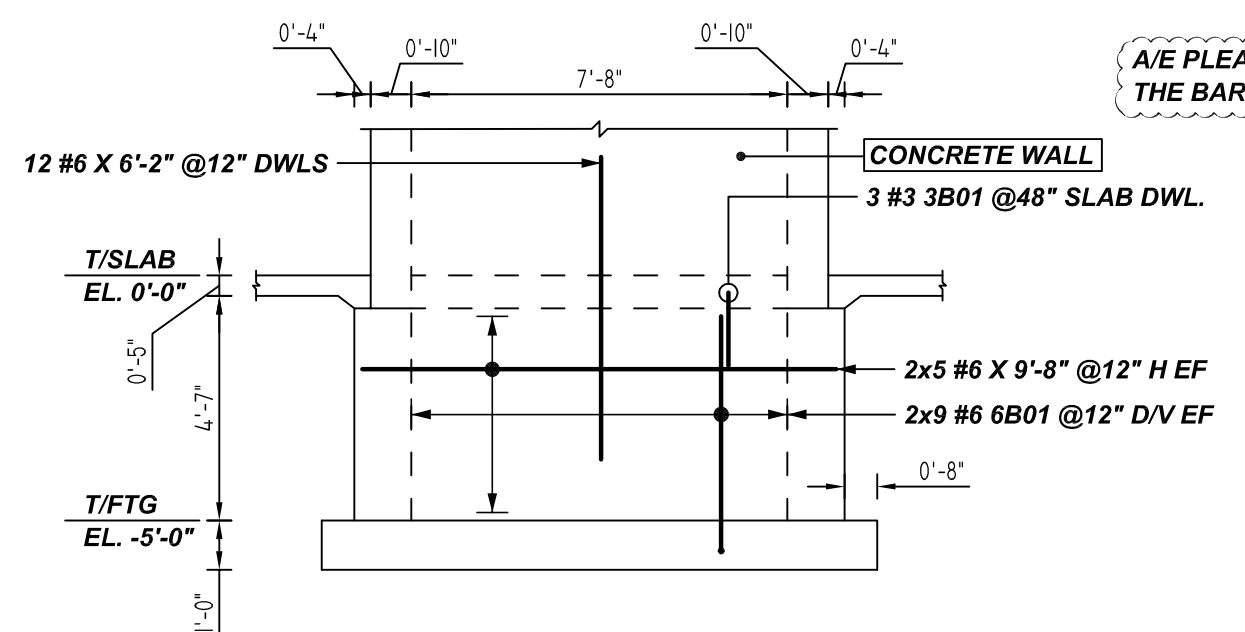
**NOTICE**

SHORTAGES, IMPROPER FABRICATION OR CLAIMS FOR ANY OTHER REASON MUST BE REPORTED TO THIS COMPANY WITHIN 10 DAYS FROM ORIGINAL DELIVERY. THIS COMPANY ALSO RESERVES THE RIGHT TO FIELD INSPECT MATERIALS PRIOR TO REPLACEMENT OR RECONDITIONING OF MATERIALS AND WILL NOT BE LIABLE FOR CHARGES FROM WORK DONE IN THE FIELD WITHOUT PRIOR AUTHORIZATION FROM THIS COMPANY.

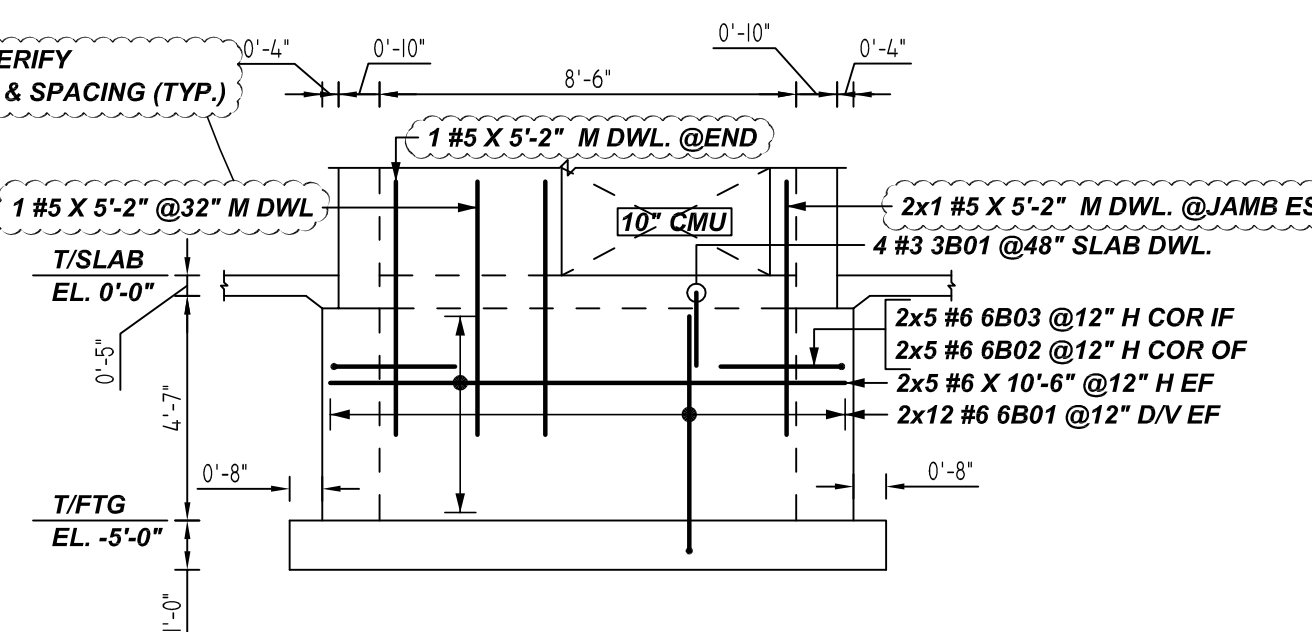
REINFORCING STEEL PLACING DRAWING ONLY USE IN CONJUNCTION WITH CONTRACT DRAWINGS & SPECIFICATIONS. ELEVATIONS & DIMENSIONS SHOWN ON DRAWING ARE FOR DETAILING PURPOSES ONLY AND SHOULD NOT BE USED FOR CONSTRUCTION UNLESS VERIFIED BY ENGINEER OR CONTRACTOR.



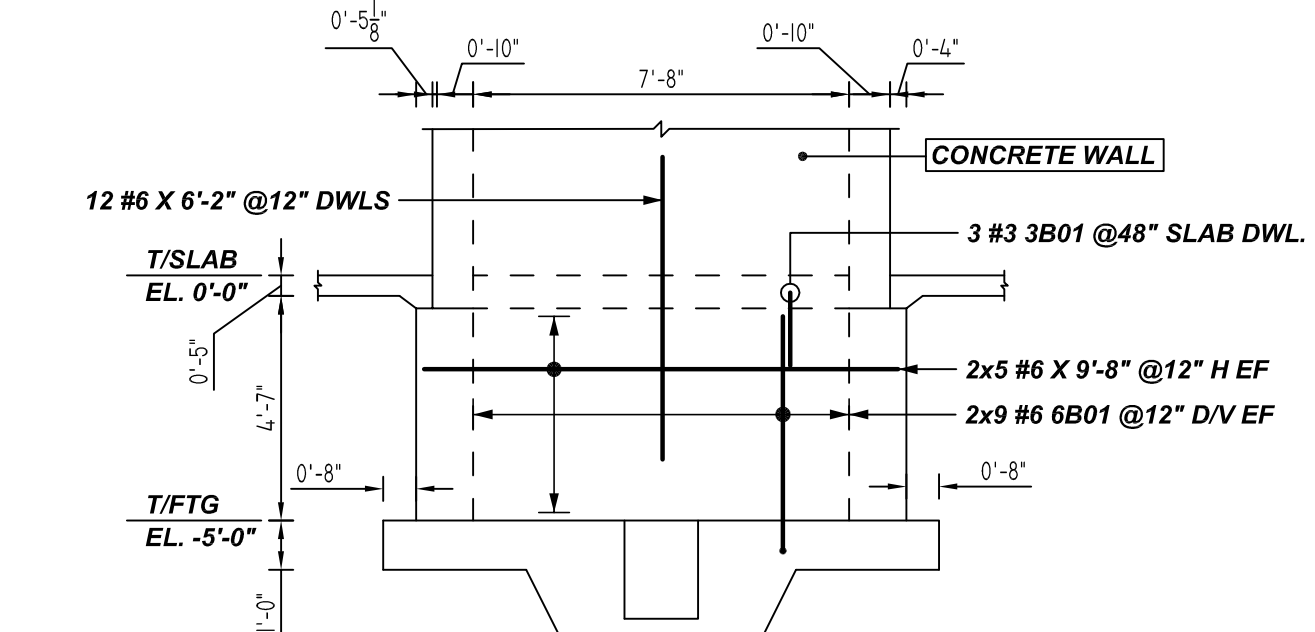
**A ELEVATION**  
SCALE: 1/4" = 1'-0"  
REF: S101, S204&A-502 (DT.06/29/22)  
A/E PLEASE VERIFY THE WALL PROFILE & BAR ARRANGEMENT (TYP.)



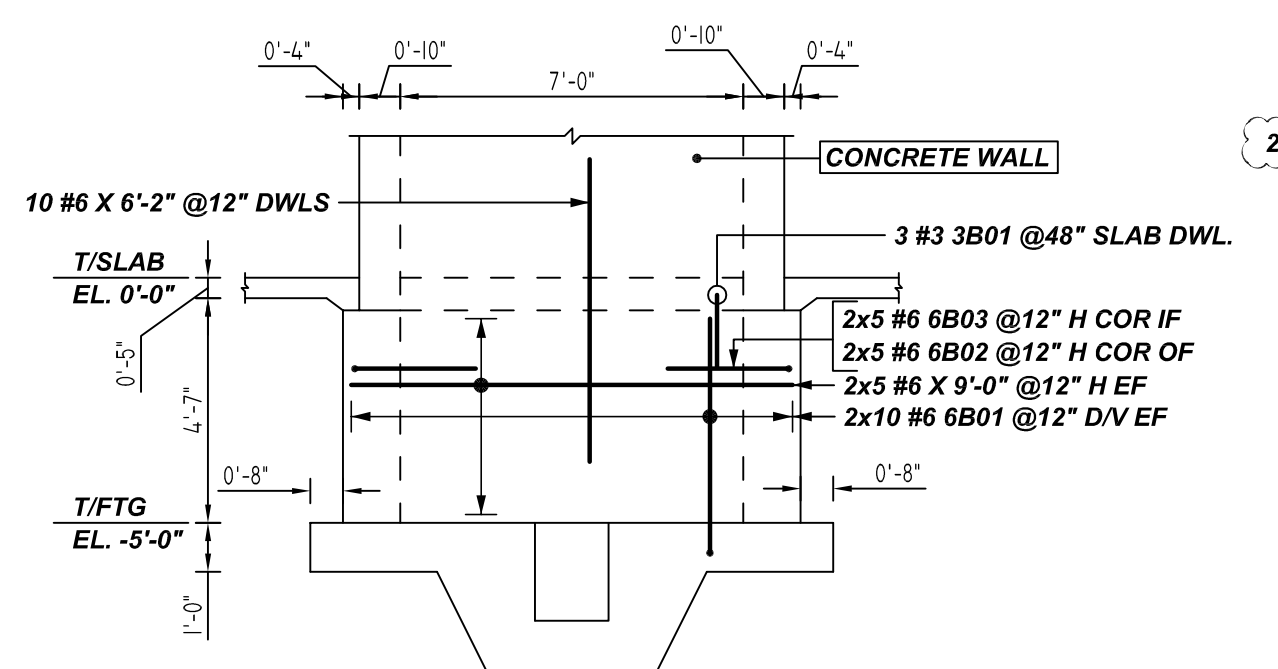
**B ELEVATION**  
SCALE: 1/4" = 1'-0"  
REF: S101, S204&A-502 (DT.06/29/22)



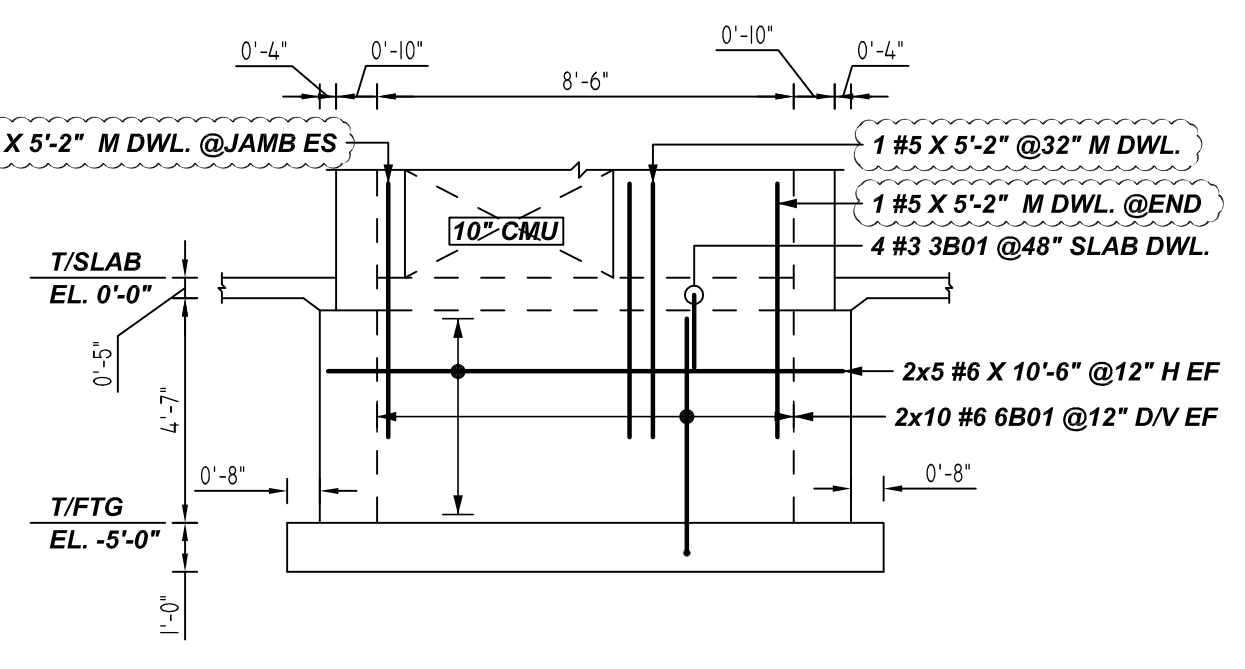
**C ELEVATION**  
SCALE: 1/4" = 1'-0"  
REF: S101, S204&A-502 (DT.06/29/22)



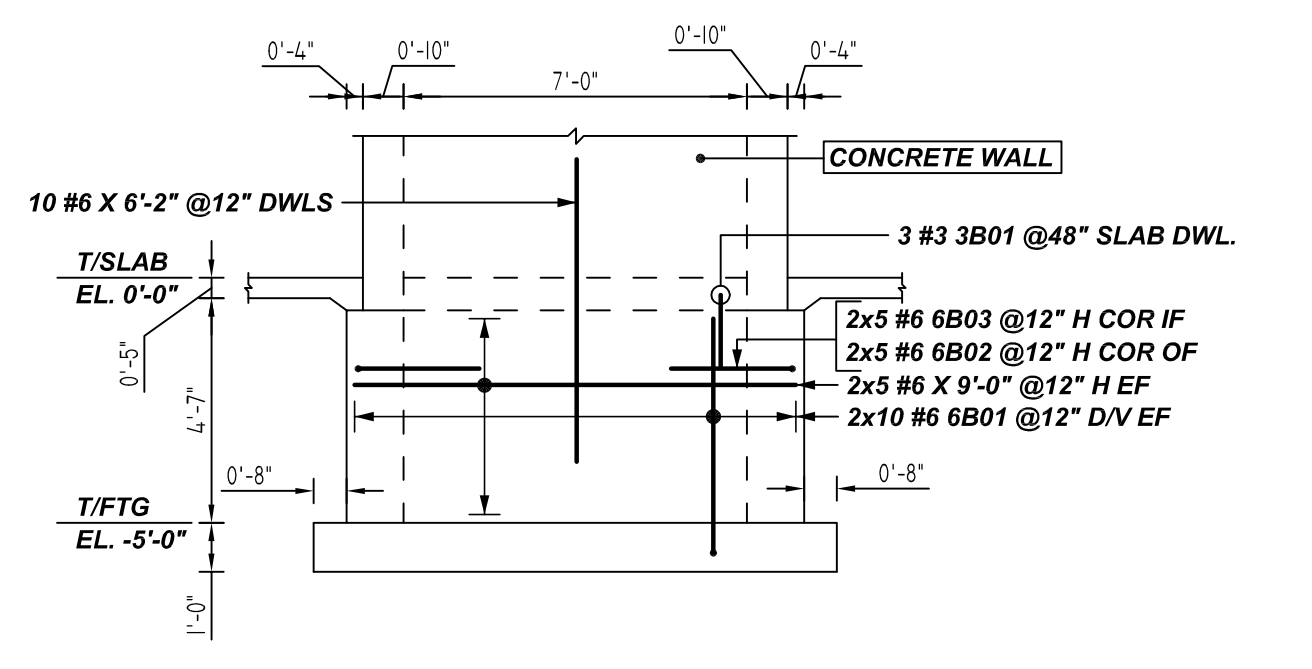
**D ELEVATION**  
SCALE: 1/4" = 1'-0"  
REF: S101, S204&A-502 (DT.06/29/22)



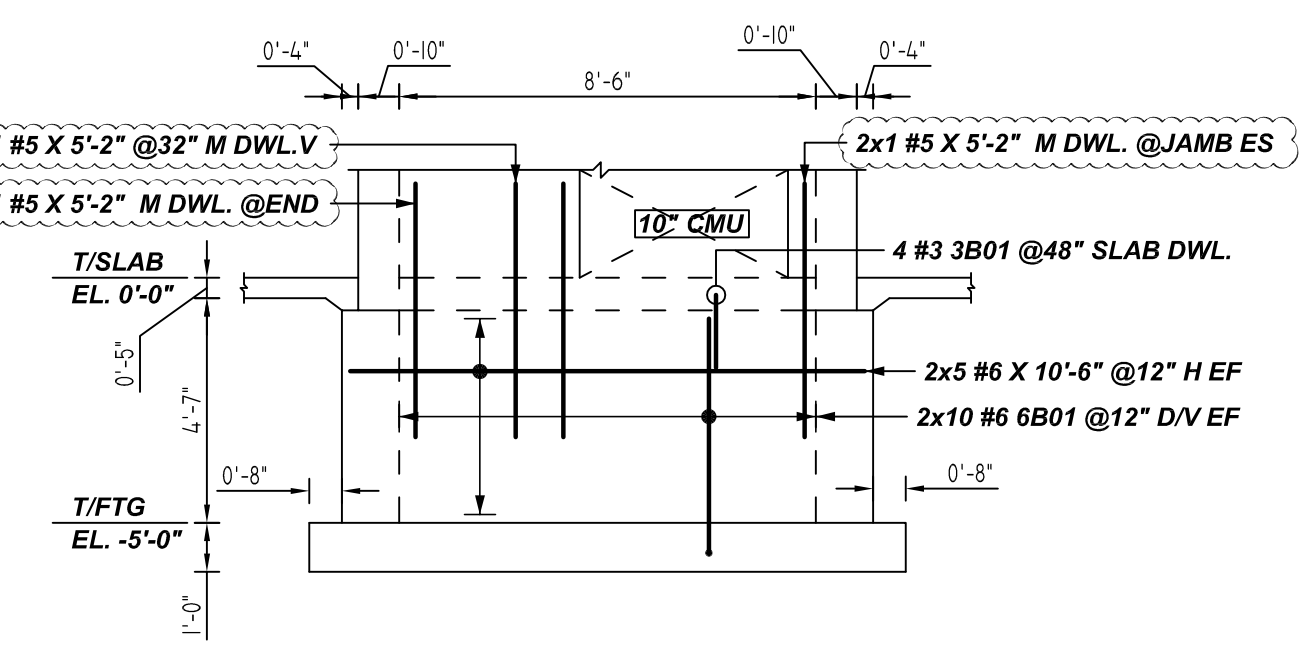
**E ELEVATION**  
SCALE: 1/4" = 1'-0"  
REF: S101, S204&A-503 (DT.06/29/22)



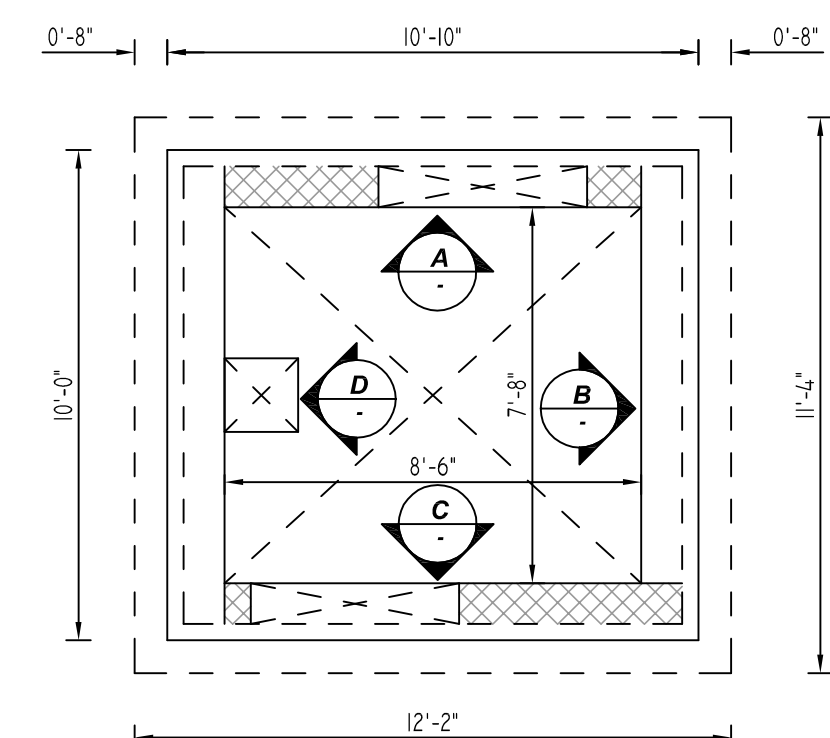
**F ELEVATION**  
SCALE: 1/4" = 1'-0"  
REF: S101, S204&A-503 (DT.06/29/22)



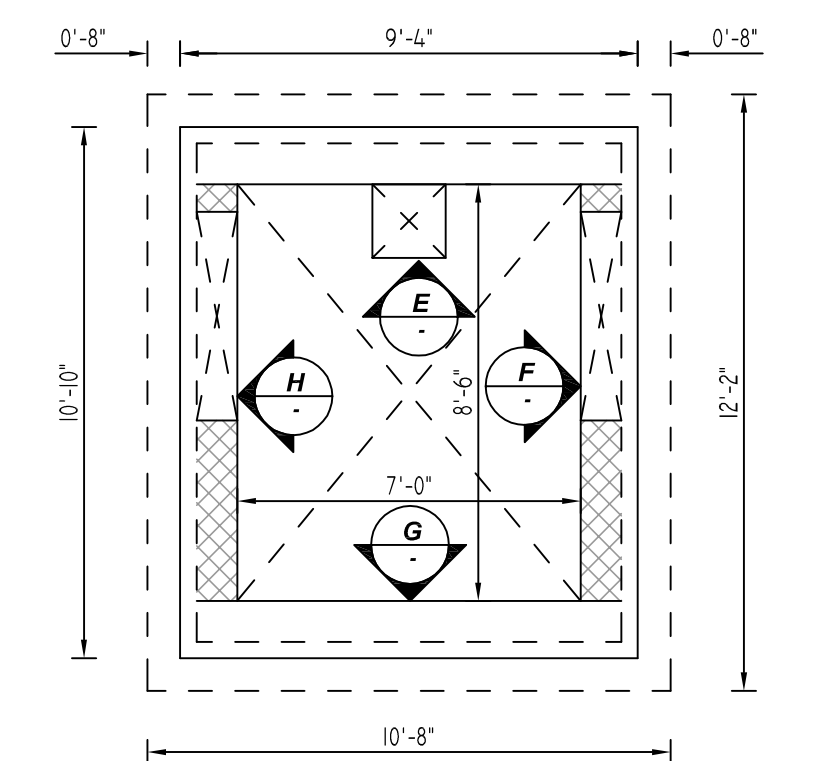
**G ELEVATION**  
SCALE: 1/4" = 1'-0"  
REF: S101, S204&A-503 (DT.06/29/22)



**H ELEVATION**  
SCALE: 1/4" = 1'-0"  
REF: S101, S204&A-503 (DT.06/29/22)



**DETAIL-A (ELEVATION MARK)**  
SCALE: 1/4" = 1'-0"  
REF: S101, S204&A-502 (DT.06/29/22)



**DETAIL-B (ELEVATION MARK)**  
SCALE: 1/4" = 1'-0"  
REF: S101, S204&A-503 (DT.06/29/22)

Bar Mark	Qty	Size	Total Length	Type	X	Y	Z	BAR LIST
3B01	28	#3	5'-6"	17		1'-6"	2'-0"	
6B01	164	#6	5'-9 1/2"	2	1'-0"	4'-9 1/2"		
6B02	40	#6	5'-0"	17		2'-6"	2'-6"	
6B03	40	#6	5'-3"	17		0'-9"	2'-6"	

TYPICAL REINFORCING BAR CLEARANCE TABLE	
LOCATION	MIN. COVER
FOOTING SIDE & BOTTOM	3" CLR
FOOTING TOP	2" CLR
WALL SIDE	2" CLR

**ALL BARS IN THIS DRAWING  
ASTM A615 GRADE 60  
BLACK UNCOATED**

**FOUNDATION LAP SCHEDULE**

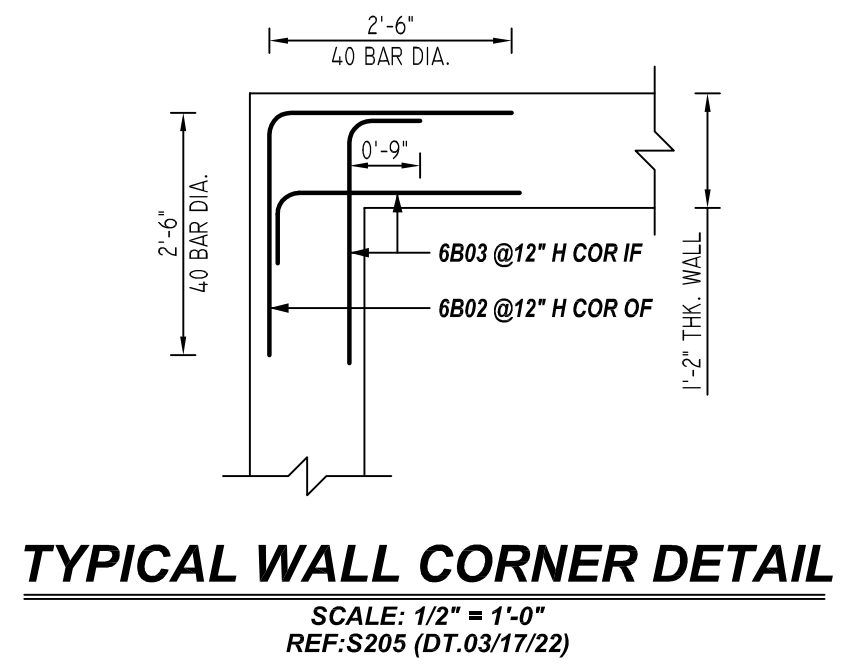
4000 PSI (CLASS-B) CASE - 1  
Per ACI :318 (12.2.2)

BAR#	LENGTHS	
	TOP	OTHERS
#3	2'-0"	1'-7"
#4	2'-8"	2'-1"
#5	3'-4"	2'-7"
#6	4'-0"	3'-1"
#7	5'-10"	4'-6"
#8	6'-8"	5'-2"

**CMU LAP SCHEDULE**

Per ACI :318 (12.2.2)

BAR#	LENGTHS	
	50 x BAR DIA	OTHERS
#3	1'-7"	
#4	2'-1"	
#5	2'-7"	
#6	3'-2"	



**REBAR GRADE 60 ASTM A-615**

SPLICES USED		ABBREVIATIONS		BAR MARK SIZE EQUIVALENT	
CLASS B 4,000 psi UNO				Imperial	Soft Metric
TOP BARS	OTHER BARS	ADD.	Additional	#3	#10
#3	#3	B.O.W.	Bottom of wall	#4	#13
#4	#4	C.B.	Corner Bars	#5	#16
#5	#5	DIAG.	Diagonal	#6	#19
#6	#6	D.O.	Door Opening	#7	#22
#7	#7	D.W.S.	Dowels	#8	#25
#8	#8	E.F.	Each Face	#9	#29
#9	#9	E.S.	Each Side	#10	#32
#10	#10	E.W.	Each Way	#11	#36
#11	#11	FTG.	Footing		
#14	#14	F.F.	Far Face		
		HORIZ.	Horizontal		
		I.F.	Inside Face		
		INTERS.	Intersection		
		L.W.	Long Way		
		N.F.	Near Face		
		O.F.	Outside Face		
		S.W.	Short Way		
		T&B	Top & Bottom		
		T.O.W.	Top of Wall		
		Trans.	Transverse		
		VERT.	Vertical		

**LIBERTY PARK 48 UNITS  
ELEVATOR PIT REINFORCEMENT DETAILS  
UNION CITY, NJ**

CUSTOMER: TORRES ATENO  
DESIGNER: JT ENGINEERING

REV NO	DATE	APPROVAL	REV NO	DATE	SENT FOR
0	07.28.22				

DRAWN BY	DATE	JOB NO	SHEET NO.
RTP/SS	07.28.22	M92270614P	R03