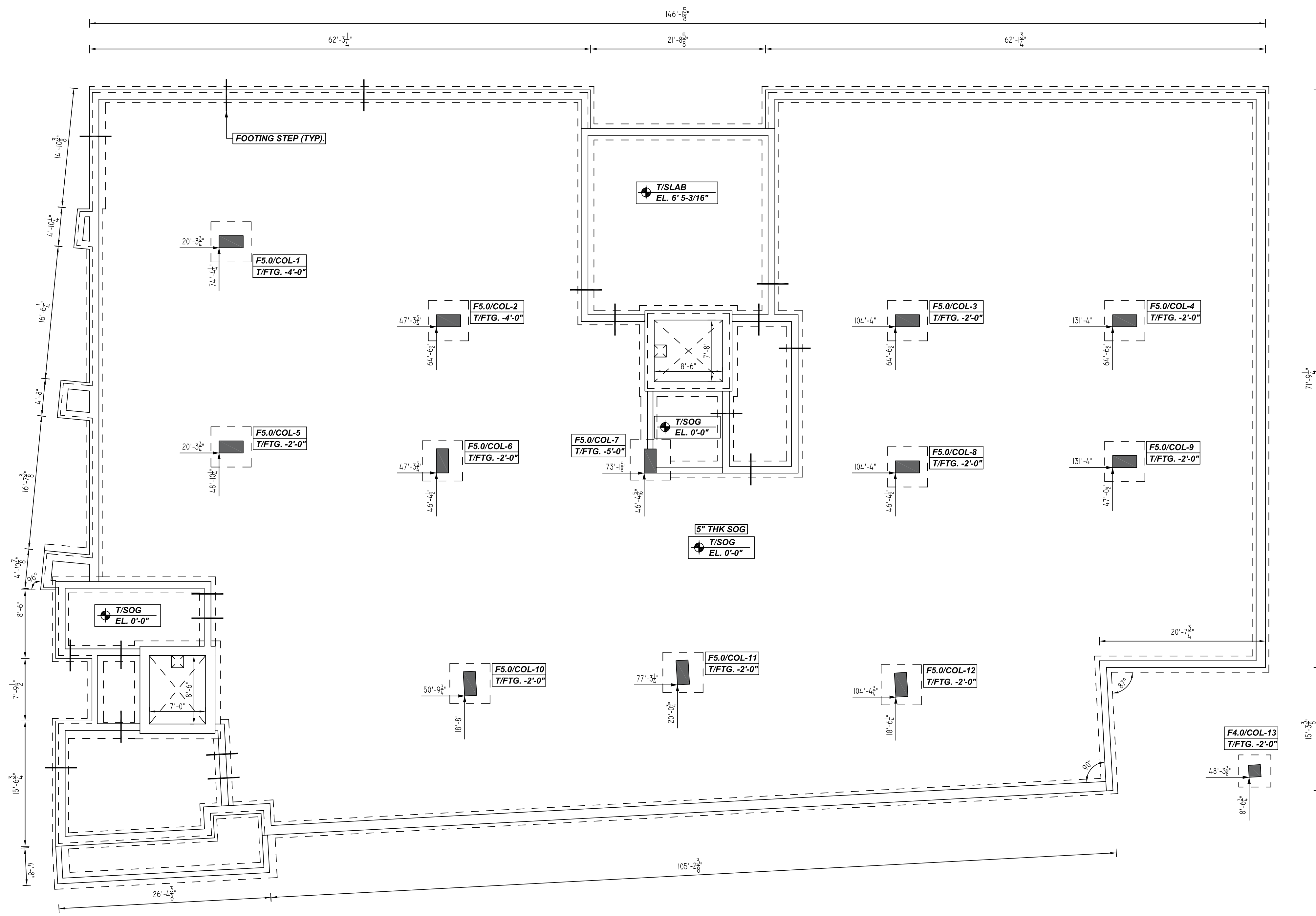


NOTICE

SHORTAGES, IMPROPER FABRICATION OR CLAIMS FOR ANY OTHER REASON MUST BE REPORTED TO THIS COMPANY WITHIN 10 DAYS FROM ORIGINAL DELIVERY. THIS COMPANY ALSO RESERVES THE RIGHT TO FIELD INSPECT MATERIALS PRIOR TO REPLACEMENT OR RECONDITIONING OF MATERIALS AND WILL NOT BE LIABLE FOR CHARGES FROM WORK DONE IN THE FIELD WITHOUT PRIOR AUTHORIZATION FROM THIS COMPANY.

REINFORCING STEEL PLACING DRAWING ONLY. USE IN CONJUNCTION WITH CONTRACT DRAWINGS & SPECIFICATIONS. ELEVATIONS & DIMENSIONS SHOWN ON DRAWING ARE FOR DETAILING PURPOSES ONLY AND SHOULD NOT BE USED FOR CONSTRUCTION UNLESS VERIFIED BY ENGINEER OR CONTRACTOR.



COLUMN REINFORCEMENT DETAILS
 SCALE: 1/8" = 1'-0"
 REF: S101, S204&A-502 (DT. 08/29/22)

LAP SCHEDULE

5000 PSI (CLASS-B) CASE - 1
 Per ACI :318 (12.2.2)-(FOR COLUMN)

BAR#	LENGTHS	
	TOP	OTHERS
#3	1'-10"	1'-5"
#4	2'-5"	1'-10"
#5	3'-0"	2'-4"
#6	3'-7"	2'-9"
#7	5'-3"	4'-1"
#8	6'-0"	4'-7"

TYPICAL REINFORCING BAR CLEARANCE TABLE

LOCATION	MIN. COVER
COLUMN SIDE	2" CLR

**ALL BARS IN THIS DRAWING
 ASTM A615 GRADE 60
 BLACK UNCOATED**

REBAR GRADE 60 ASTM A-615

SPLICES USED		ABBREVIATIONS		BAR MARK SIZE EQUIVALENT	
CLASS B 4,000 psi UNO				Imperial	Soft Metric
TOP BARS	OTHER BARS	ADD.	Additional	#3	#10
#3	#3	B.O.W.	Bottom of wall	#4	#13
#4	#4	C.B.	Corner Bars	#5	#16
#5	#5	DIAG.	Diagonal	#6	#19
#6	#6	D.O.	Door Opening	#7	#22
#7	#7	DWLS.	Dowels	#8	#25
#8	#8	E.F.	Each Face	#9	#29
#9	#9	E.S.	Each Side	#10	#32
#10	#10	E.W.	Each Way	#11	#36
#11	#11	FTG.	Footing		
#14	#14	F.F.	Far Face		
		HORIZ.	Horizontal		
		I.F.	Inside Face		
		INTERS.	Intersection		
		L.W.	long Way		
		N.F.	Near Face		
		O.F.	Outside Face		
		S.W.	Short Way		
		T&B	Top & Bottom		
		T.O.W.	Top of Wall		
		Trans.	Transverse		
		VERT.	Vertical		

LIBERTY PARK 48 UNITS
 COLUMN REINFORCEMENT DETAILS
 UNION CITY, NJ

CUSTOMER: TORRES ATENO
 DESIGNER: JT ENGINEERING

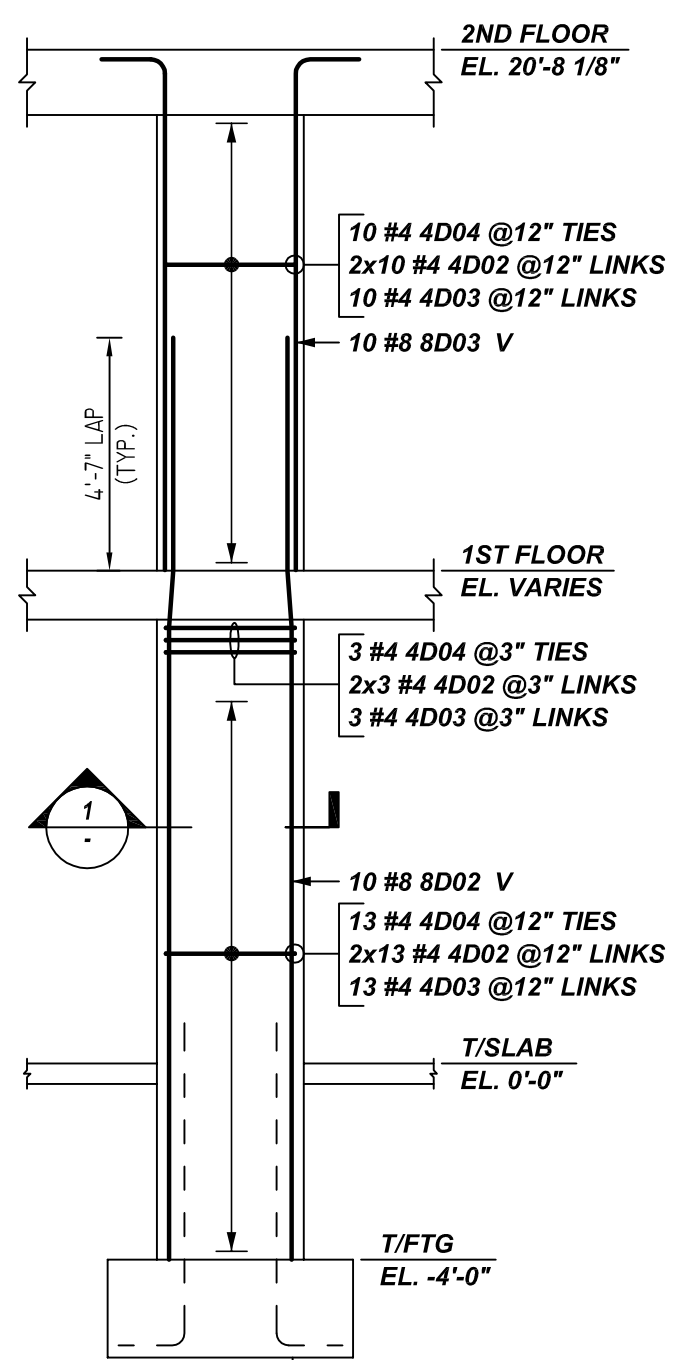
0	08.01.22	APPROVAL					
REV NO	DATE	SENT FOR	REV NO	DATE	SENT FOR	RTP/SS	08.01.22

JOB NO: M92270614P
 SHEET NO: R07

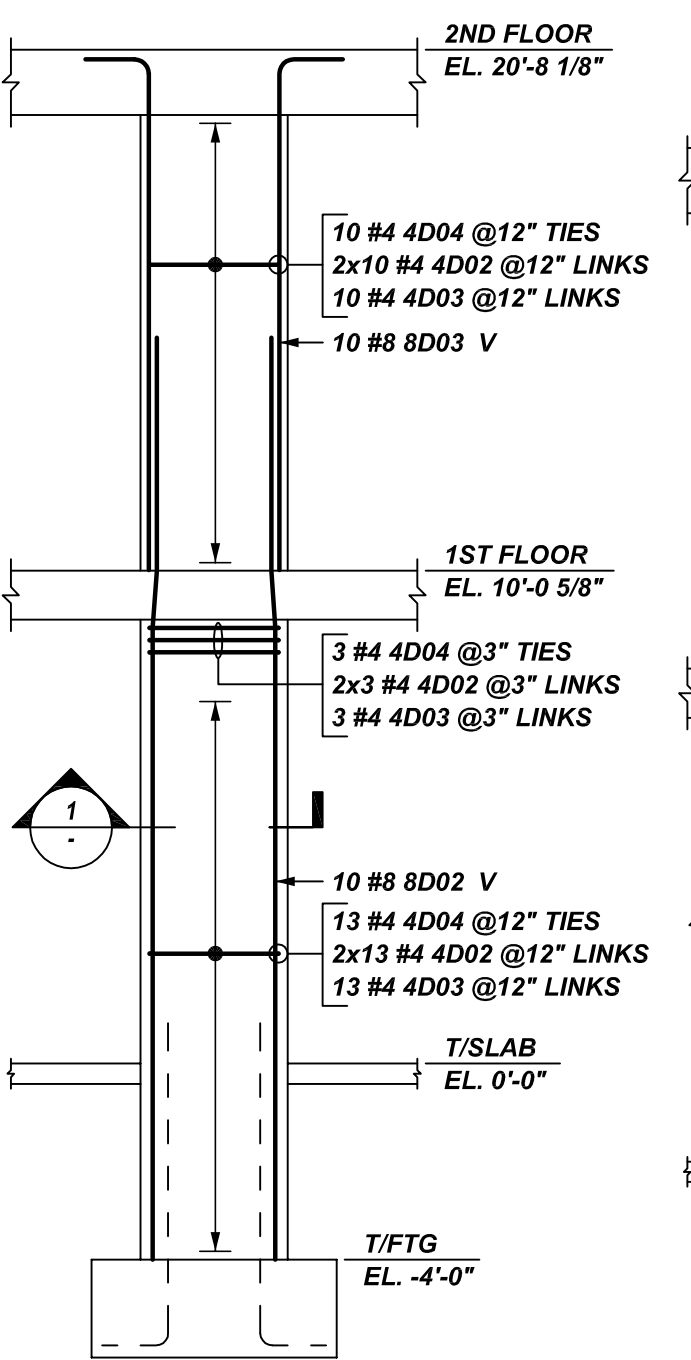
NOTICE

SHORTAGES, IMPROPER FABRICATION OR CLAIMS FOR ANY OTHER REASON MUST BE REPORTED TO THIS COMPANY WITHIN 10 DAYS FROM ORIGINAL DELIVERY. THIS COMPANY ALSO RESERVES THE RIGHT TO FIELD INSPECT MATERIALS PRIOR TO REPLACEMENT OR RECONDITIONING OF MATERIALS AND WILL NOT BE LIABLE FOR CHARGES FROM WORK DONE IN THE FIELD WITHOUT PRIOR AUTHORIZATION FROM THIS COMPANY.

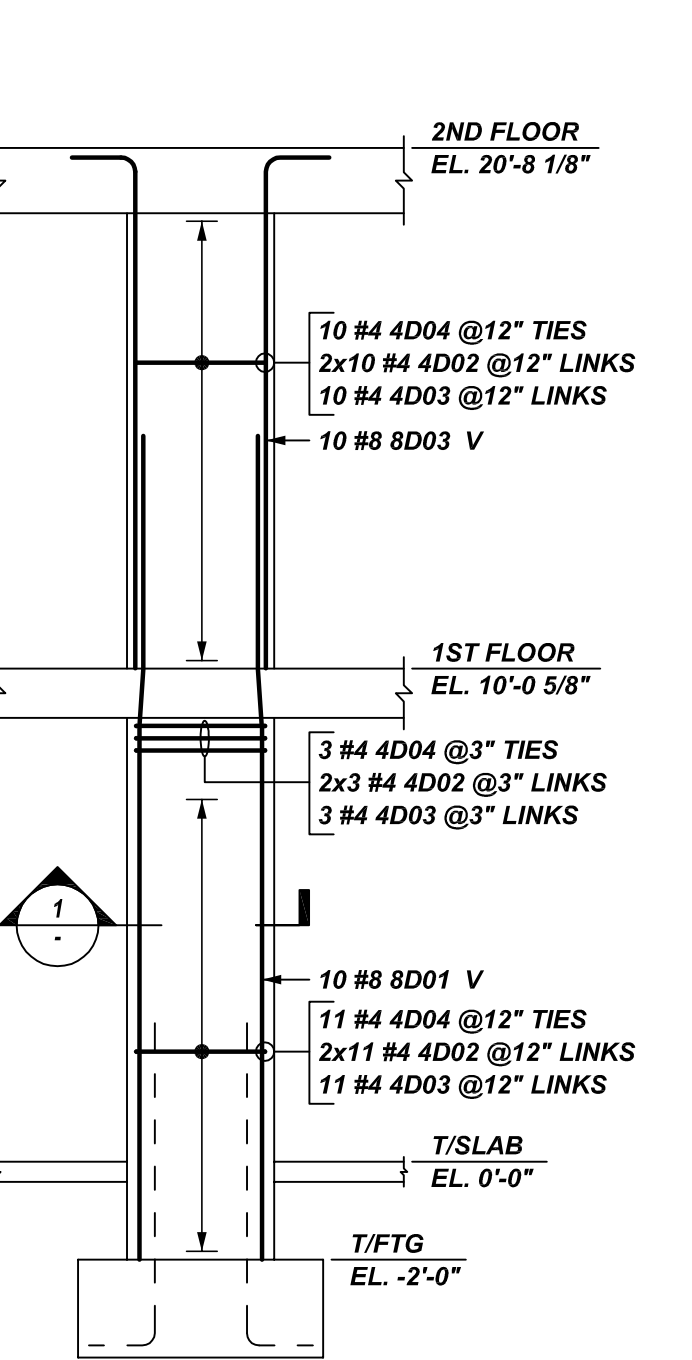
REINFORCING STEEL PLACING DRAWING ONLY. USE IN CONJUNCTION WITH CONTRACT DRAWINGS & SPECIFICATIONS. ELEVATIONS & DIMENSIONS SHOWN ON DRAWING ARE FOR DETAILING PURPOSES ONLY AND SHOULD NOT BE USED FOR CONSTRUCTION UNLESS VERIFIED BY ENGINEER OR CONTRACTOR.



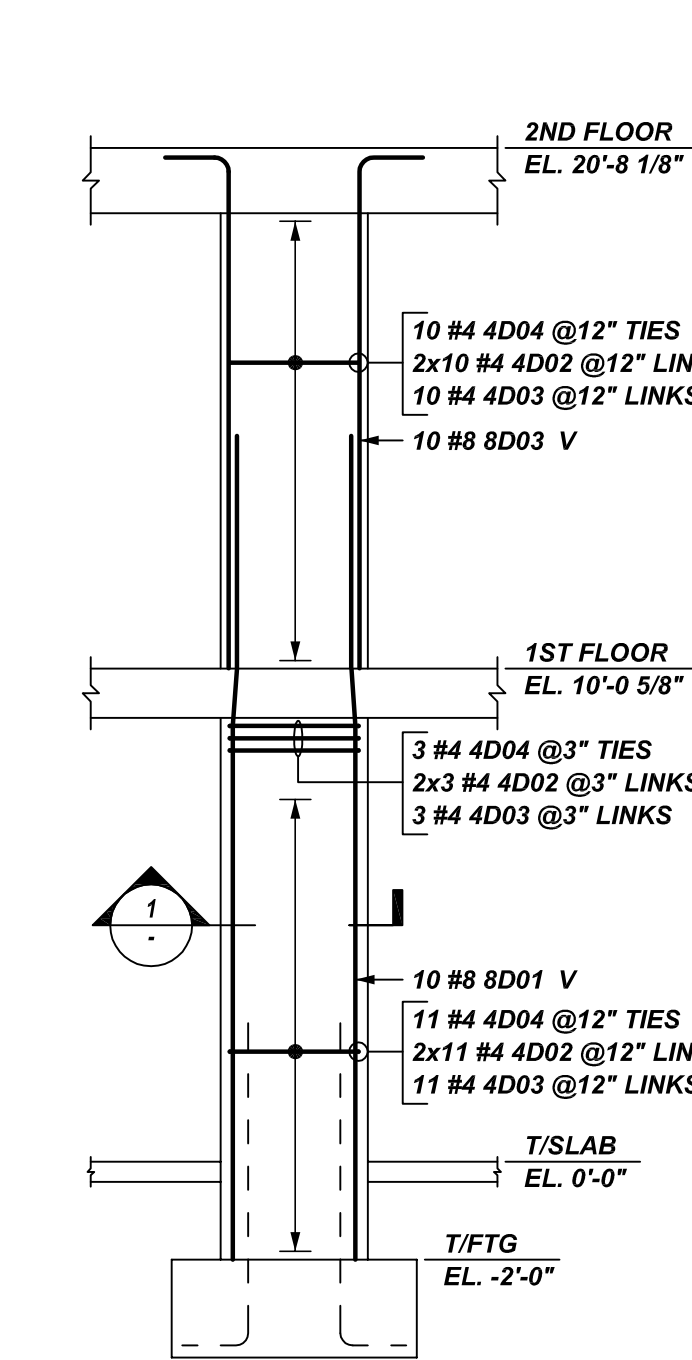
COL-1(18"x36")
COLUMN-1
SCALE: 1/4" = 1'-0"
REF:S005,S206 (DT.06/29/22)



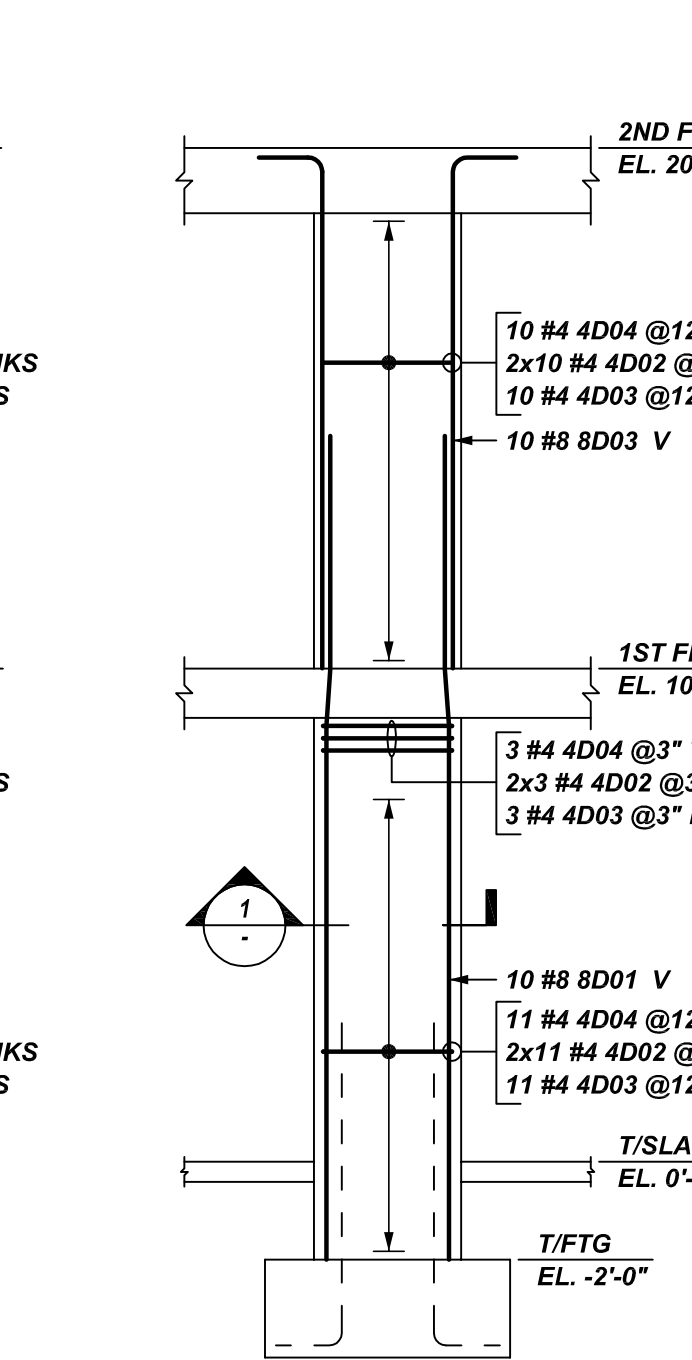
COL-2(18"x36")
COLUMN-2
SCALE: 1/4" = 1'-0"
REF:S005,S206 (DT.06/29/22)



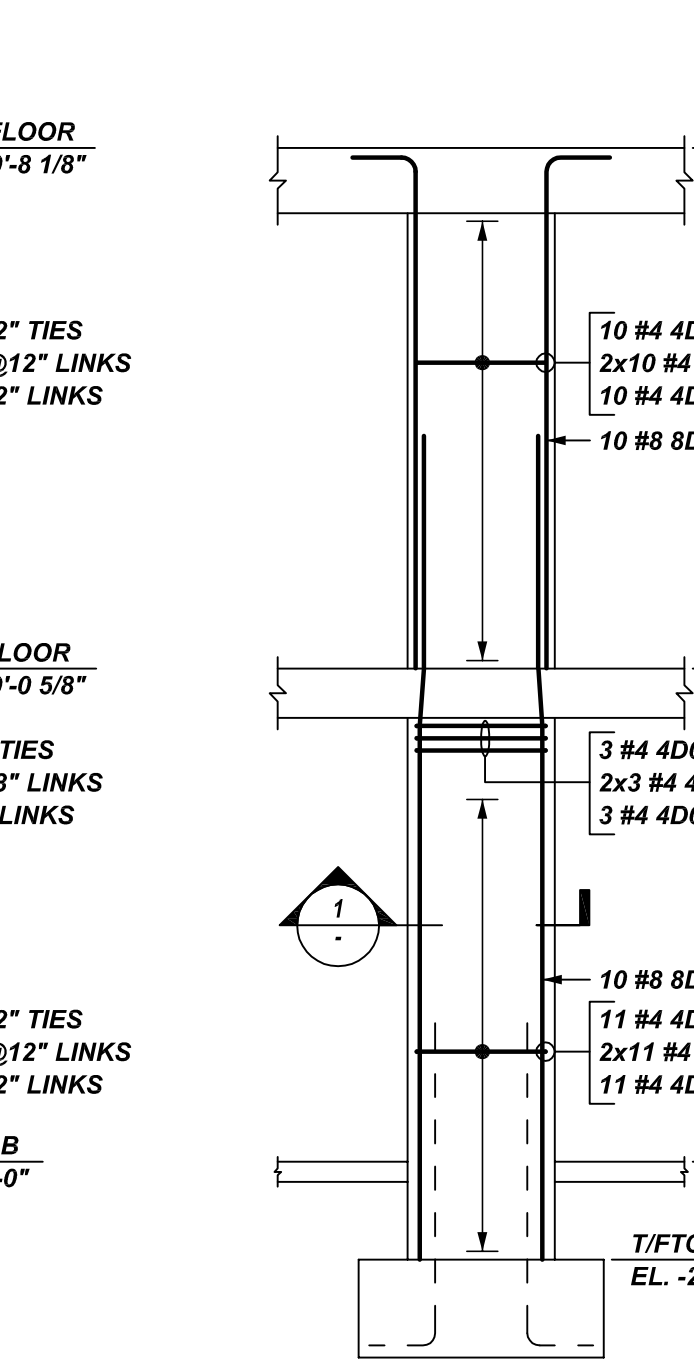
COL-3(18"x36")
COLUMN-3
SCALE: 1/4" = 1'-0"
REF:S005,S206 (DT.06/29/22)



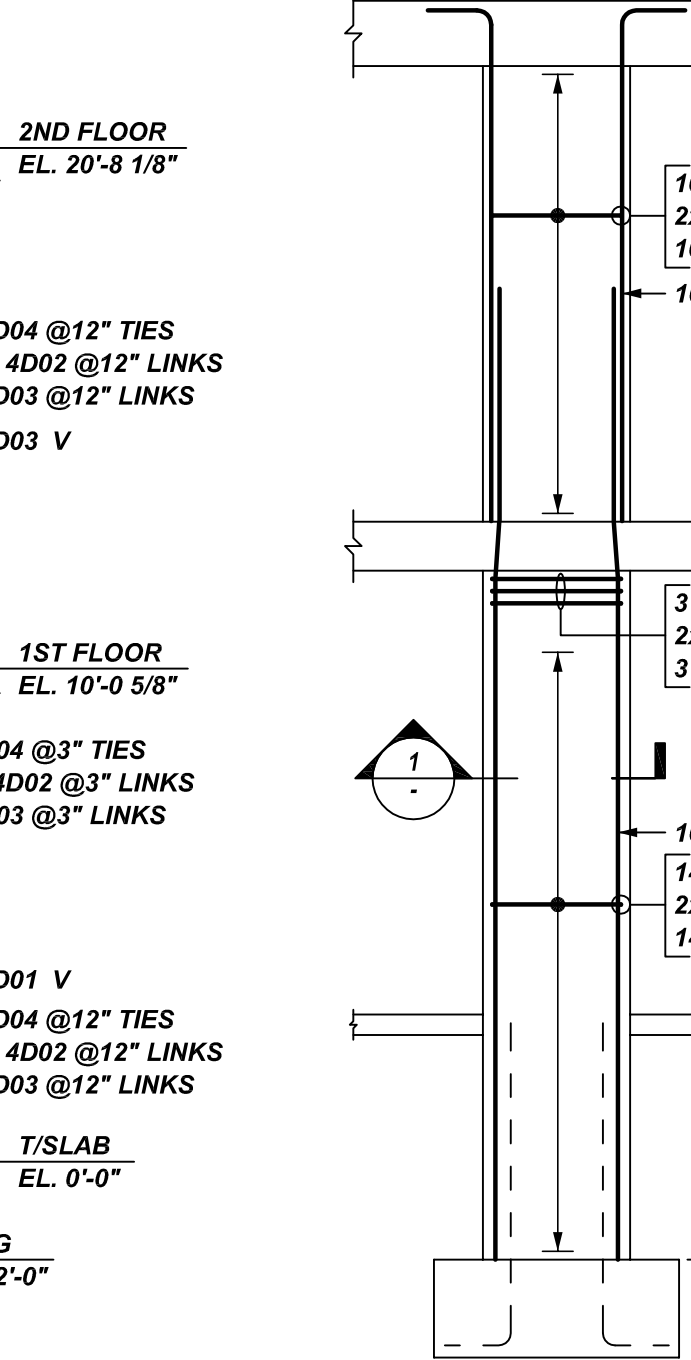
COL-3(18"x36")
COLUMN-4
SCALE: 1/4" = 1'-0"
REF:S005,S206 (DT.06/29/22)



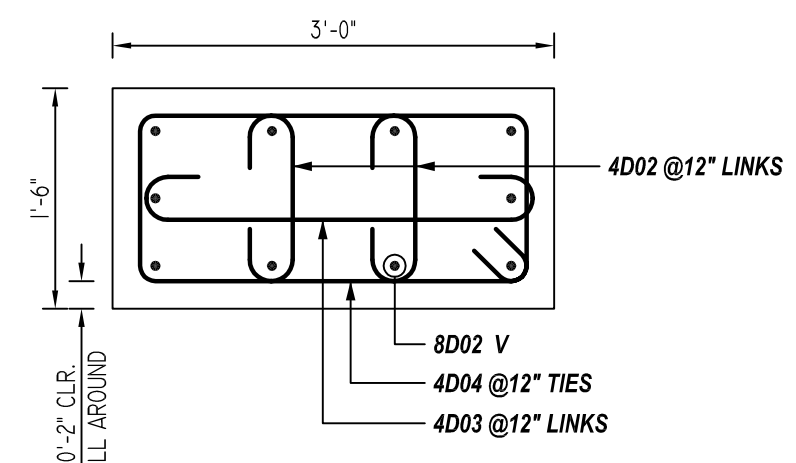
COL-3(18"x36")
COLUMN-5
SCALE: 1/4" = 1'-0"
REF:S005,S206 (DT.06/29/22)



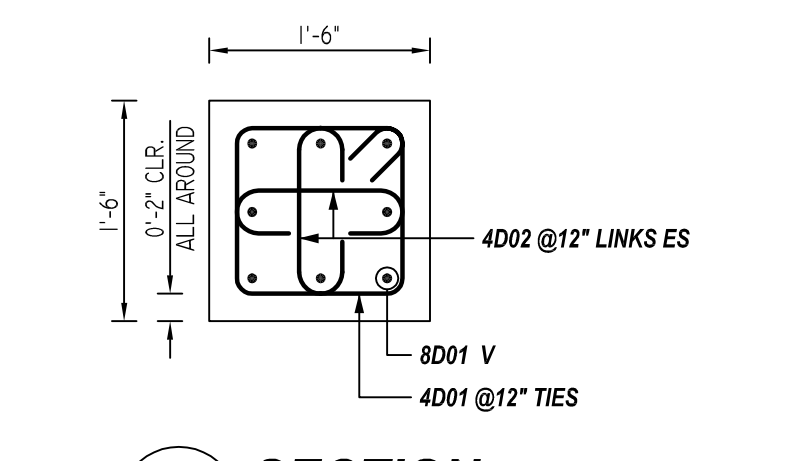
COL-3(18"x36")
COLUMN-6
SCALE: 1/4" = 1'-0"
REF:S005,S206 (DT.06/29/22)



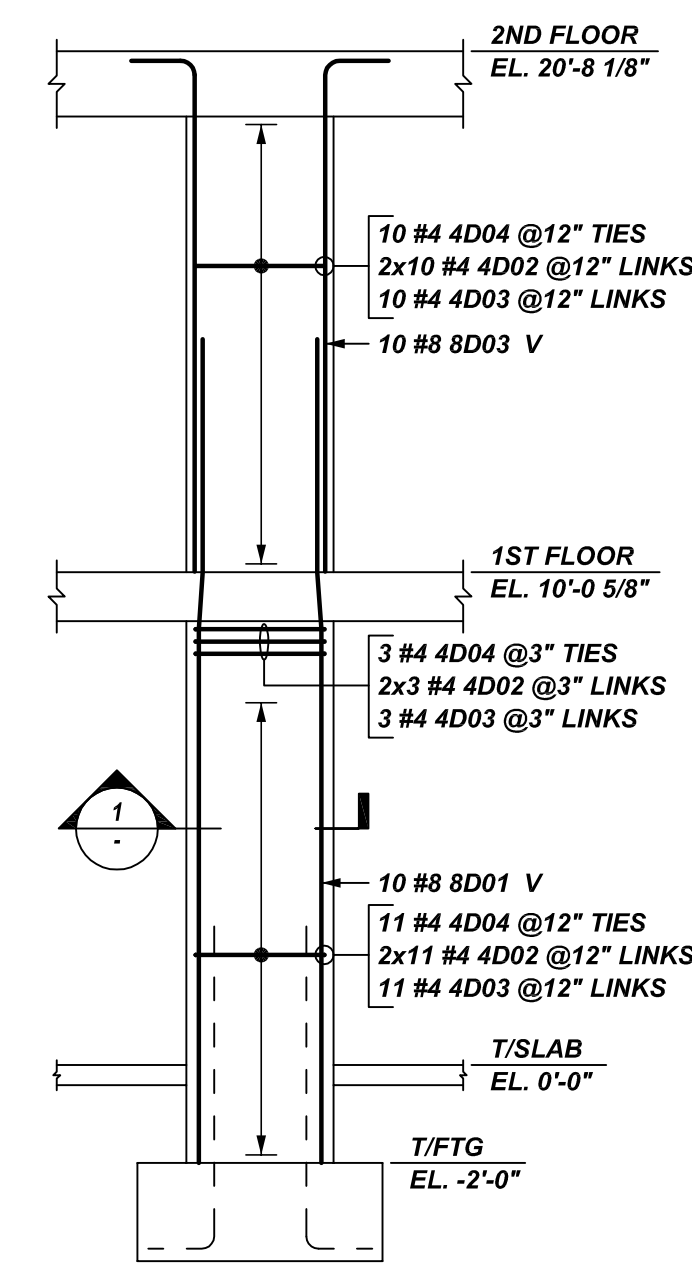
COL-3(18"x36")
COLUMN-7
SCALE: 1/4" = 1'-0"
REF:S005,S206 (DT.06/29/22)



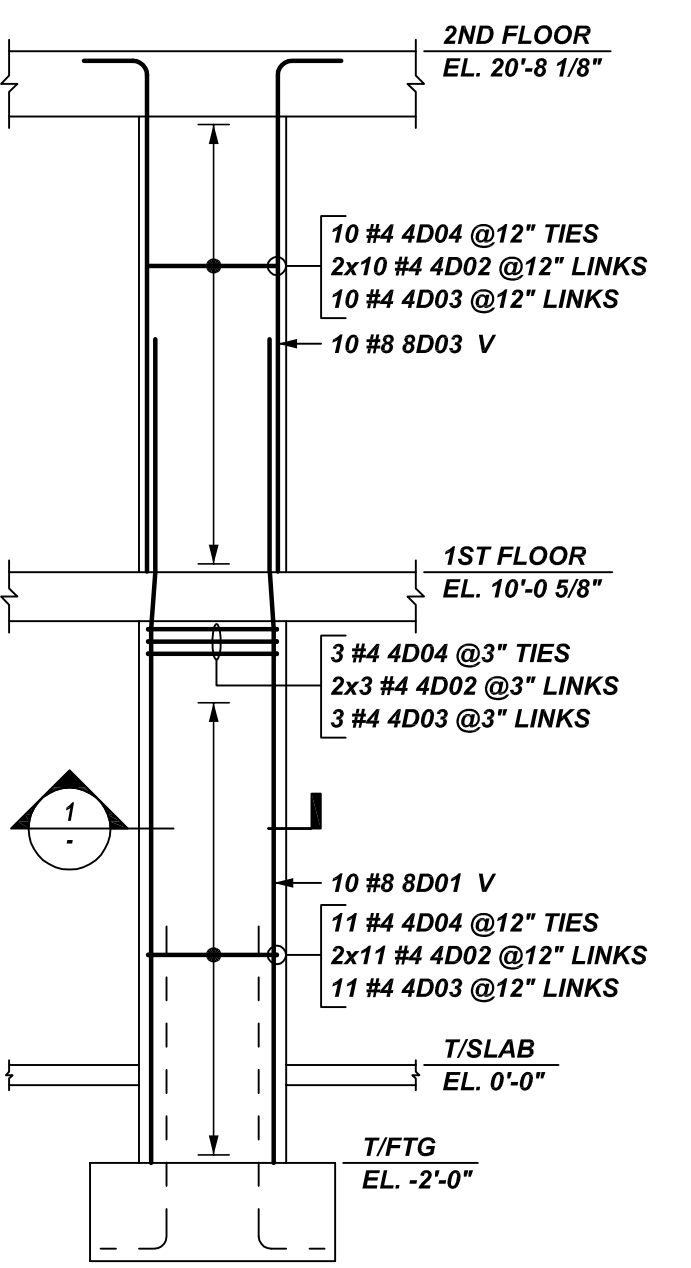
1 SECTION
SCALE: 3/4" = 1'-0"
REF:S206 (DT.03/17/22)



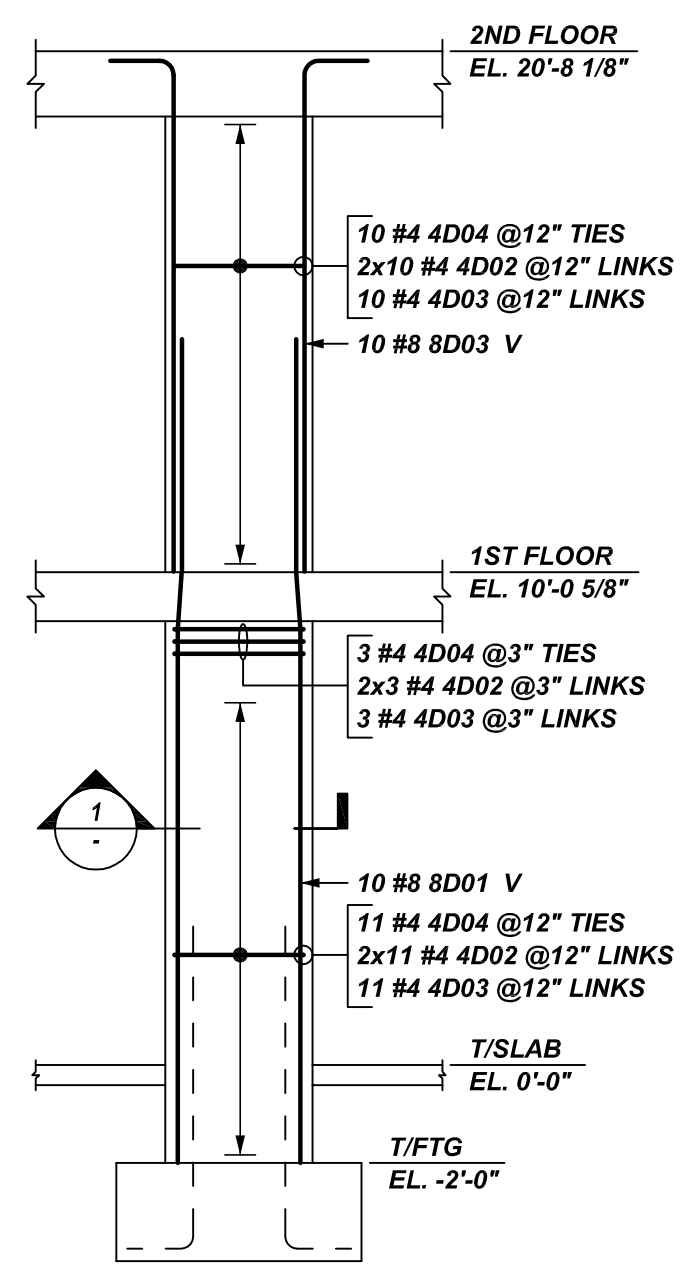
2 SECTION
SCALE: 3/4" = 1'-0"
REF:S206 (DT.03/17/22)



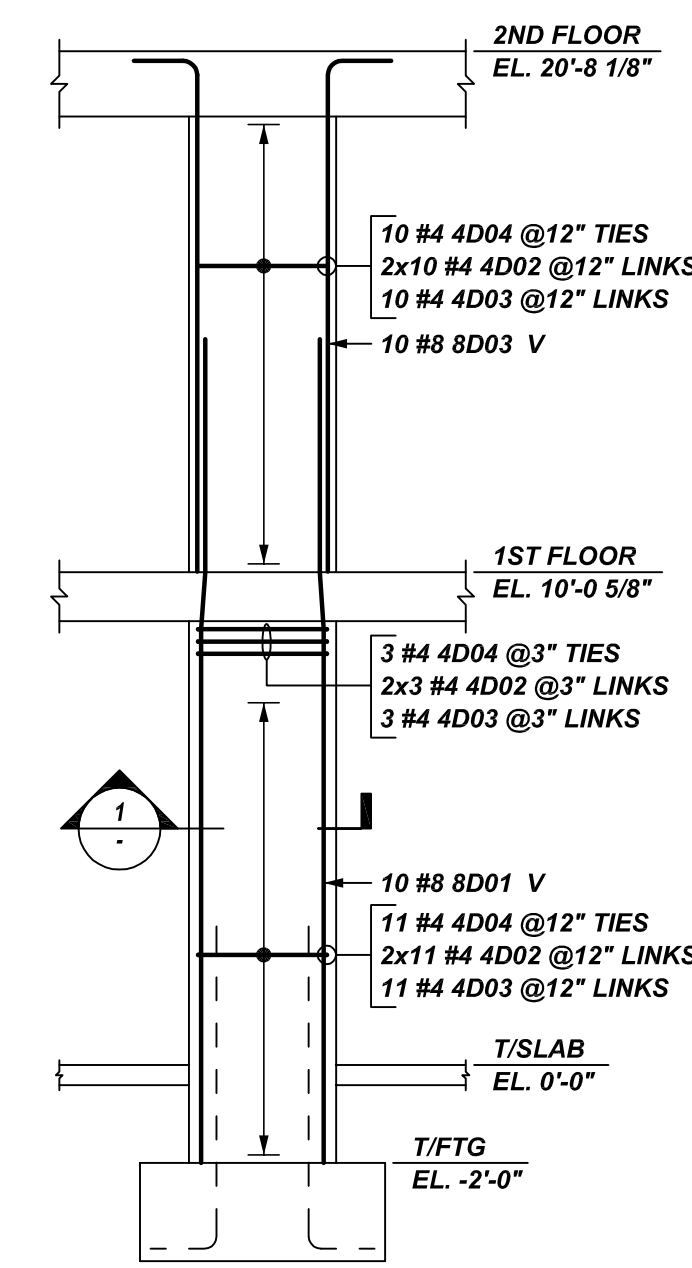
COL-3(18"x36")
COLUMN-8
SCALE: 1/4" = 1'-0"
REF:S005,S206 (DT.06/29/22)



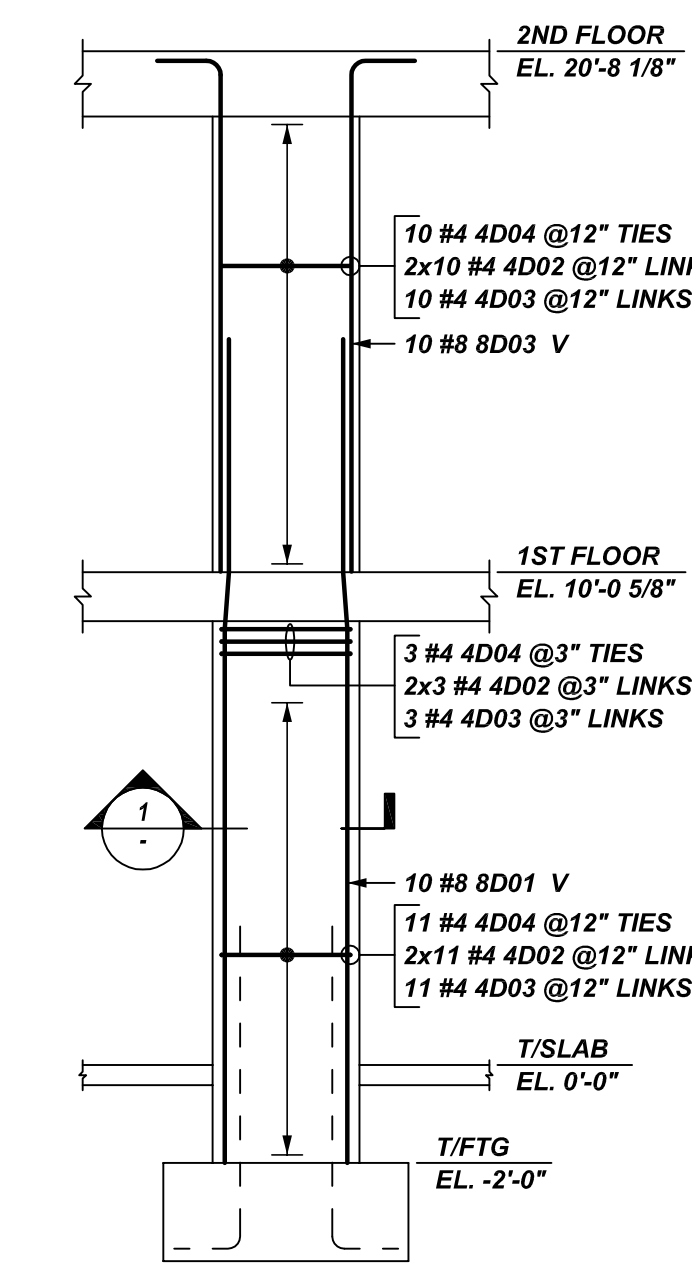
COL-3(18"x36")
COLUMN-9
SCALE: 1/4" = 1'-0"
REF:S005,S206 (DT.06/29/22)



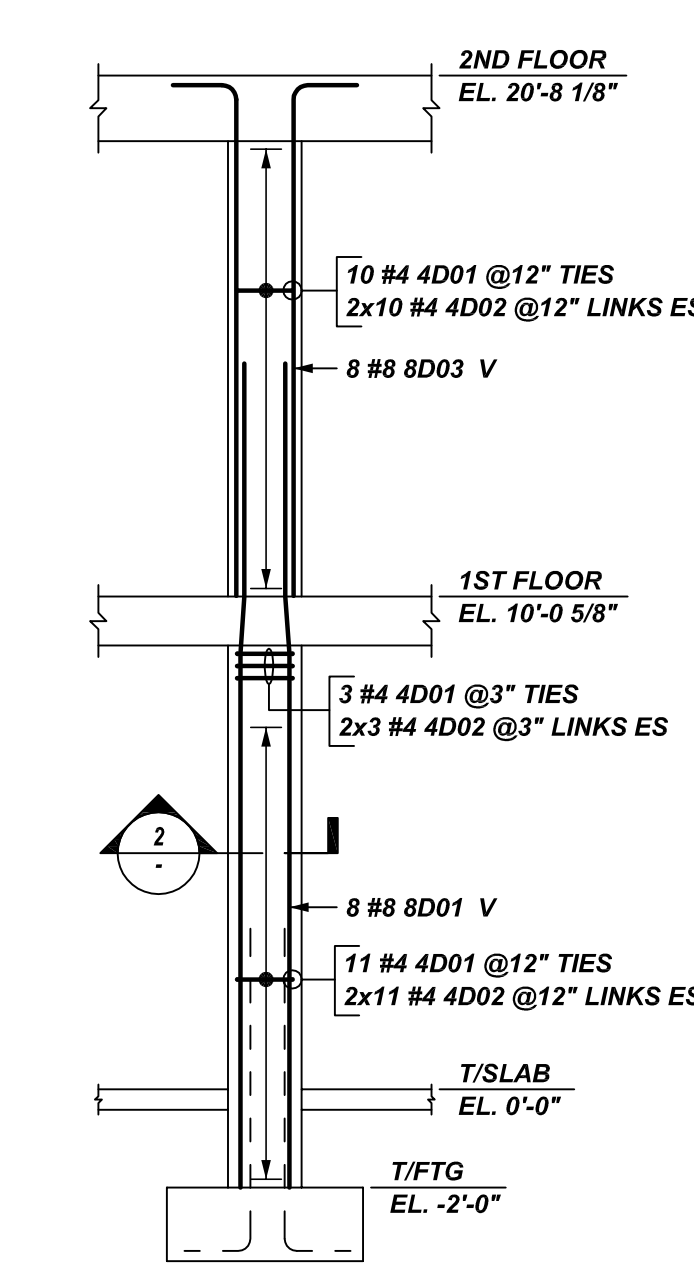
COL-3(18"x36")
COLUMN-10
SCALE: 1/4" = 1'-0"
REF:S005,S206 (DT.06/29/22)



COL-3(18"x36")
COLUMN-11
SCALE: 1/4" = 1'-0"
REF:S005,S206 (DT.06/29/22)



COL-3(18"x36")
COLUMN-12
SCALE: 1/4" = 1'-0"
REF:S005,S206 (DT.06/29/22)



COL-3(18"x18")
COLUMN-13
SCALE: 1/4" = 1'-0"
REF:S005,S206 (DT.06/29/22)

Bar Mark	Qty	Size	Total Length	Type	X	Y	Z	W	V	U	T	S	R	Q	P	O	N	M	L	K	J	I	H	G	F	E	D	C	B	A
4D01	24	#4	5'-5"	T1	0'-4"	1'-2"	1'-2"	1'-2"	1'-2"	1'-2"	1'-2"	1'-2"	1'-2"	1'-2"	1'-2"	1'-2"	1'-2"	1'-2"	1'-2"	1'-2"	1'-2"	1'-2"	1'-2"	1'-2"	1'-2"	1'-2"	1'-2"	1'-2"	1'-2"	1'-2"
4D02	636	#4	2'-2"	1	0'-5"	1'-2"	1'-2"	1'-2"	1'-2"	1'-2"	1'-2"	1'-2"	1'-2"	1'-2"	1'-2"	1'-2"	1'-2"	1'-2"	1'-2"	1'-2"	1'-2"	1'-2"	1'-2"	1'-2"	1'-2"	1'-2"	1'-2"	1'-2"	1'-2"	1'-2"
4D03	295	#4	3'-8"	1	0'-5"	2'-8"	2'-8"	2'-8"	2'-8"	2'-8"	2'-8"	2'-8"	2'-8"	2'-8"	2'-8"	2'-8"	2'-8"	2'-8"	2'-8"	2'-8"	2'-8"	2'-8"	2'-8"	2'-8"	2'-8"	2'-8"	2'-8"	2'-8"	2'-8"	2'-8"
4D04	295	#4	8'-5"	T1	0'-4"	1'-2"	2'-8"	1'-2"	2'-8"	1'-2"	2'-8"	1'-2"	2'-8"	1'-2"	2'-8"	1'-2"	2'-8"	1'-2"	2'-8"	1'-2"	2'-8"	1'-2"	2'-8"	1'-2"	2'-8"	1'-2"	2'-8"	1'-2"	2'-8"	
8D01	86	#8	16'-9"	31	4'-9"	1'-2"	10'-10"	1'-2"	10'-10"	1'-2"	10'-10"	1'-2"	10'-10"	1'-2"	10'-10"	1'-2"	10'-10"	1'-2"	10'-10"	1'-2"	10'-10"	1'-2"	10'-10"	1'-2"	10'-10"	1'-2"	10'-10"	1'-2"	10'-10"	1'-2"
8D02	21	#8	16'-9"	31	4'-9"	1'-2"	10'-10"	1'-2"	10'-10"	1'-2"	10'-10"	1'-2"	10'-10"	1'-2"	10'-10"	1'-2"	10'-10"	1'-2"	10'-10"	1'-2"	10'-10"	1'-2"	10'-10"	1'-2"	10'-10"	1'-2"	10'-10"	1'-2"	10'-10"	1'-2"
8D03	128	#8	11'-3"	2	1'-4"	10'-5"	4'-9"	1'-2"	13'-10"	1'-2"	13'-10"	1'-2"	13'-10"	1'-2"	13'-10"	1'-2"	13'-10"	1'-2"	13'-10"	1'-2"	13'-10"	1'-2"	13'-10"	1'-2"	13'-10"	1'-2"	13'-10"	1'-2"	13'-10"	1'-2"
8D04	10	#8	19'-9"	31	4'-9"	1'-2"	13'-10"	1'-2"	13'-10"	1'-2"	13'-10"	1'-2"	13'-10"	1'-2"	13'-10"	1'-2"	13'-10"	1'-2"	13'-10"	1'-2"	13'-10"	1'-2"	13'-10"	1'-2"	13'-10"	1'-2"	13'-10"	1'-2"	13'-10"	1'-2"

LAP SCHEDULE

5000 PSI (CLASS-B) CASE - 1
Per ACI :318 (12.2.2)-(FOR COLUMN)

BAR#	TOP	OTHERS
#3	1'-10"	1'-5"
#4	2'-5"	1'-10"
#5	3'-0"	2'-4"
#6	3'-7"	2'-9"
#7	5'-3"	4'-1"
#8	6'-0"	4'-7"

TYPICAL REINFORCING BAR CLEARANCE TABLE

LOCATION	MIN. COVER
COLUMN SIDE	2" CLR

**ALL BARS IN THIS DRAWING
ASTM A615 GRADE 60
BLACK UNCOATED**

REBAR GRADE 60 ASTM A-615

SPLICES USED		ABBREVIATIONS		BAR MARK SIZE EQUIVALENT	
CLASS B 4,000 psi UNO					
TOP BARS	OTHER BARS			Imperial	Soft Metric
#3	#3	ADD.	Additional	#3	#10
#4	#4	B.O.W.	Bottom of wall	#4	#13
#5	#5	C.B.	Corner Bars	#5	#16
#6	#6	DIAG.	Diagonal	#6	#19
#7	#7	D.O.	Door Opening	#7	#22
#8	#8	D.WLS.	Dowels	#8	#25
#9	#9	E.F.	Each Face	#9	#29
#10	#10	E.S.	Each Side	#10	#32
#11	#11	E.W.	Each Way	#11	#36
#12	#12	FTG.	Footing		
		F.F.	Far Face		
		HORIZ.	Horizontal		
		I.F.	Inside Face		
		INTERS.	Intersection		
		L.W.	long Way		
		N.F.	Near Face		
		O.F.	Outside Face		
		S.W.	Short Way		
		T&B	Top & Bottom		
		T.O.W.	Top of Wall		
		Trans.	Transverse		
		VERT.	Vertical		

LIBERTY PARK 48 UNITS
COLUMN REINFORCEMENT DETAILS
UNION CITY, NJ

CUSTOMER: TORRES ATENO
DESIGNER: JT ENGINEERING

REV NO	DATE	APPROVAL	REV NO	DATE	SENT FOR
0	08.01.22				

DRAWN BY	DATE	JOB NO	SHEET NO.
RTP/SS	08.01.22	M92270614P	R08