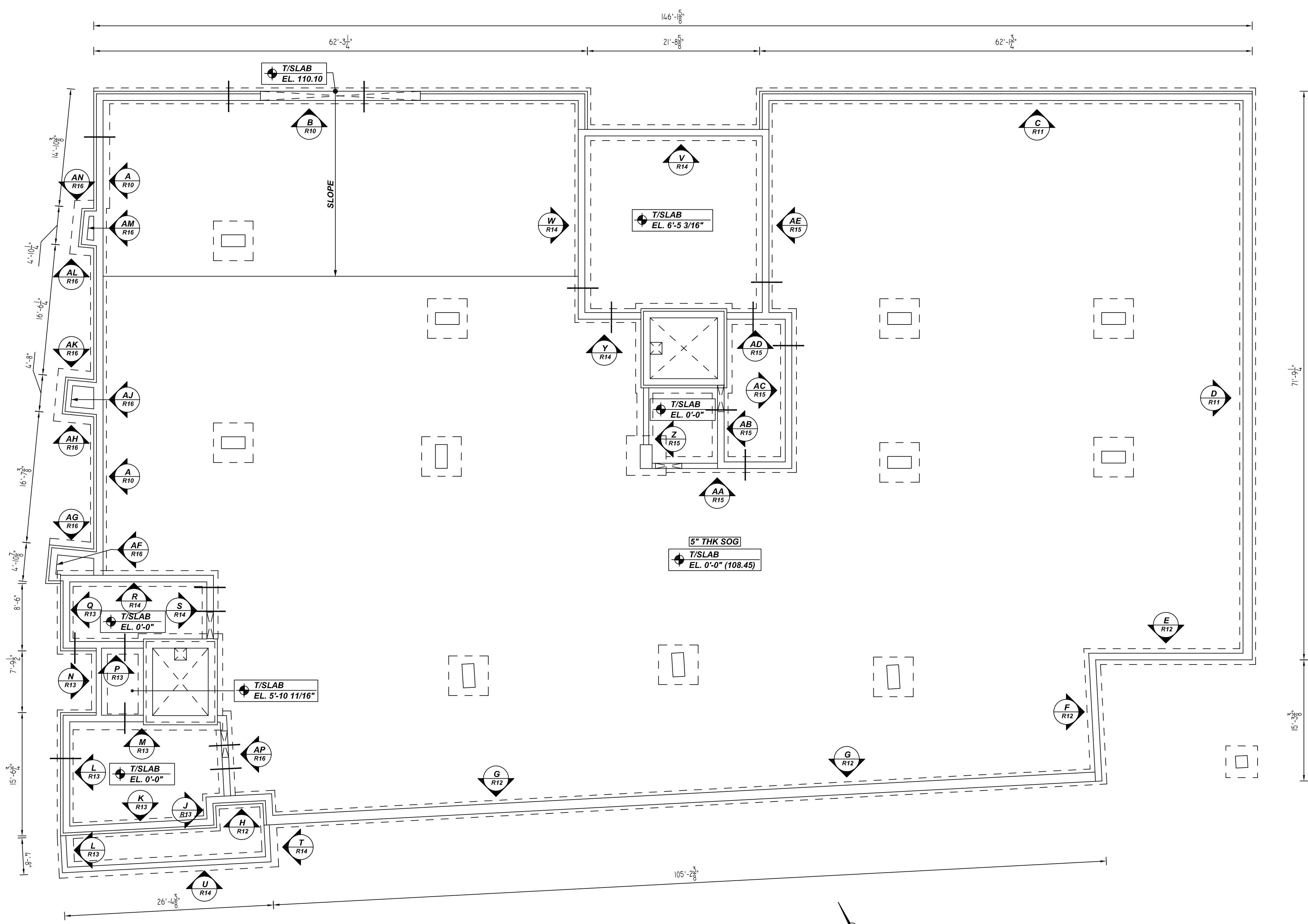
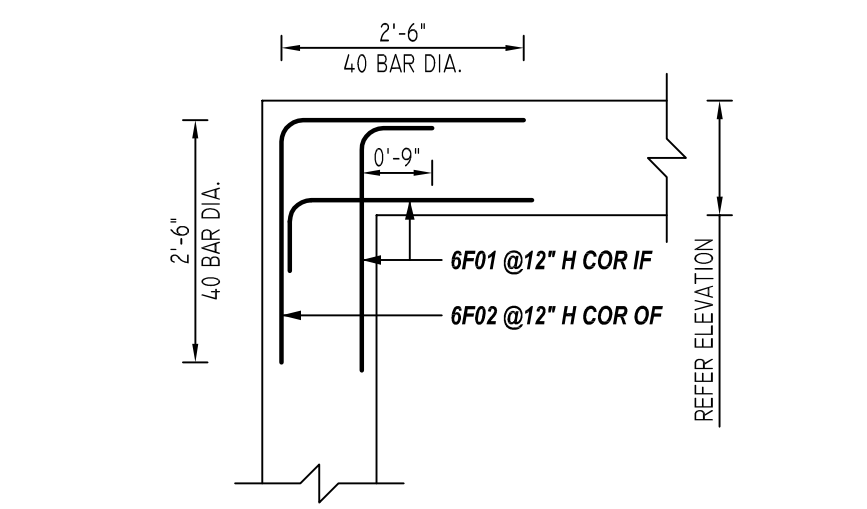


NOTICE
 SHORTAGES, IMPROPER FABRICATION OR CLAIMS FOR ANY OTHER REASON MUST BE REPORTED TO THIS COMPANY WITHIN 10 DAYS FROM ORIGINAL DELIVERY. THIS COMPANY ALSO RESERVES THE RIGHT TO FIELD INSPECT MATERIALS PRIOR TO REPLACEMENT OR RECONDITIONING OF MATERIALS AND WILL NOT BE LIABLE FOR CHARGES FROM WORK DONE IN THE FIELD WITHOUT PRIOR AUTHORIZATION FROM THIS COMPANY.

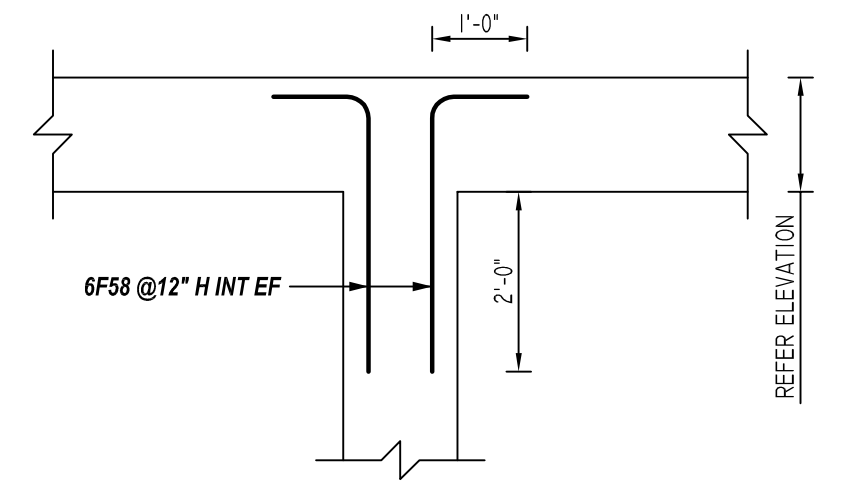
REINFORCING STEEL PLACING DRAWING ONLY. USE IN CONJUNCTION WITH CONTRACT DRAWINGS & SPECIFICATIONS. ELEVATIONS & DIMENSIONS SHOWN ON DRAWING ARE FOR DETAILING PURPOSES ONLY AND SHOULD NOT BE USED FOR CONSTRUCTION UNLESS VERIFIED BY ENGINEER OR CONTRACTOR.



CONCRETE WALL MARK LAYOUT
 SCALE: 1/8" = 1'-0"
 REF: S101 (DT.06/29/22)



TYPICAL WALL CORNER DETAIL
 SCALE: 1/2" = 1'-0"
 REF: S205 (DT.03/17/22)



TYPICAL WALL INTERSECTION DETAIL
 SCALE: 1/2" = 1'-0"
 REF: S205 (DT.03/17/22)

TYPICAL REINFORCING BAR CLEARANCE TABLE

LOCATION	MIN. COVER
WALL SIDE	2" CLR

**ALL BARS IN THIS DRAWING
 ASTM A615 GRADE 60
 BLACK UNCOATED**

FOUNDATION LAP SCHEDULE
 4000 PSI (CLASS-B) CASE - 1
 Per ACI :318 (12.2.2)

BAR#	LENGTHS	
	TOP	OTHERS
#3	2'-0"	1'-7"
#4	2'-8"	2'-1"
#5	3'-4"	2'-7"
#6	4'-0"	3'-1"
#7	5'-10"	4'-6"
#8	6'-8"	5'-2"

CMU LAP SCHEDULE
 Per ACI :318 (12.2.2)

BAR#	LENGTHS	
	50 x BAR DIA	
#3	1'-7"	
#4	2'-1"	
#5	2'-7"	
#6	3'-2"	

REBAR GRADE 60 ASTM A-615

SPLICES USED		ABBREVIATIONS		BAR MARK SIZE EQUIVALENT	
CLASS B 4,000 psi UNO				Imperial	Soft Metric
TOP BARS	OTHER BARS	ADD.	Additional	#3	#10
#3	#3	B.O.W.	Bottom of wall	#4	#13
#4	#4	C.B.	Corner Bars	#5	#16
#5	#5	DIAG.	Diagonal	#6	#19
#6	#6	D.O.	Door Opening	#7	#22
#7	#7	DWLS.	Dowels	#8	#25
#8	#8	E.F.	Each Face	#9	#29
#9	#9	E.S.	Each Side	#10	#32
#10	#10	E.W.	Each Way	#11	#36
#11	#11	FTG.	Footing		
#14	#14	F.F.	Far Face		
		HORIZ.	Horizontal		
		I.F.	Inside Face		
		INTERS.	Intersection		
		L.W.	long Way		
		N.F.	Near Face		
		O.F.	Outside Face		
		S.W.	Short Way		
		T&B	Top & Bottom		
		T.O.W.	Top of Wall		
		Trans.	Transverse		
		VERT.	Vertical		

LIBERTY PARK 48 UNITS
 CONCRETE WALL REINFORCEMENT DETAILS
 UNION CITY, NJ

CUSTOMER: TORRES ATENO
 DESIGNER: JT ENGINEERING

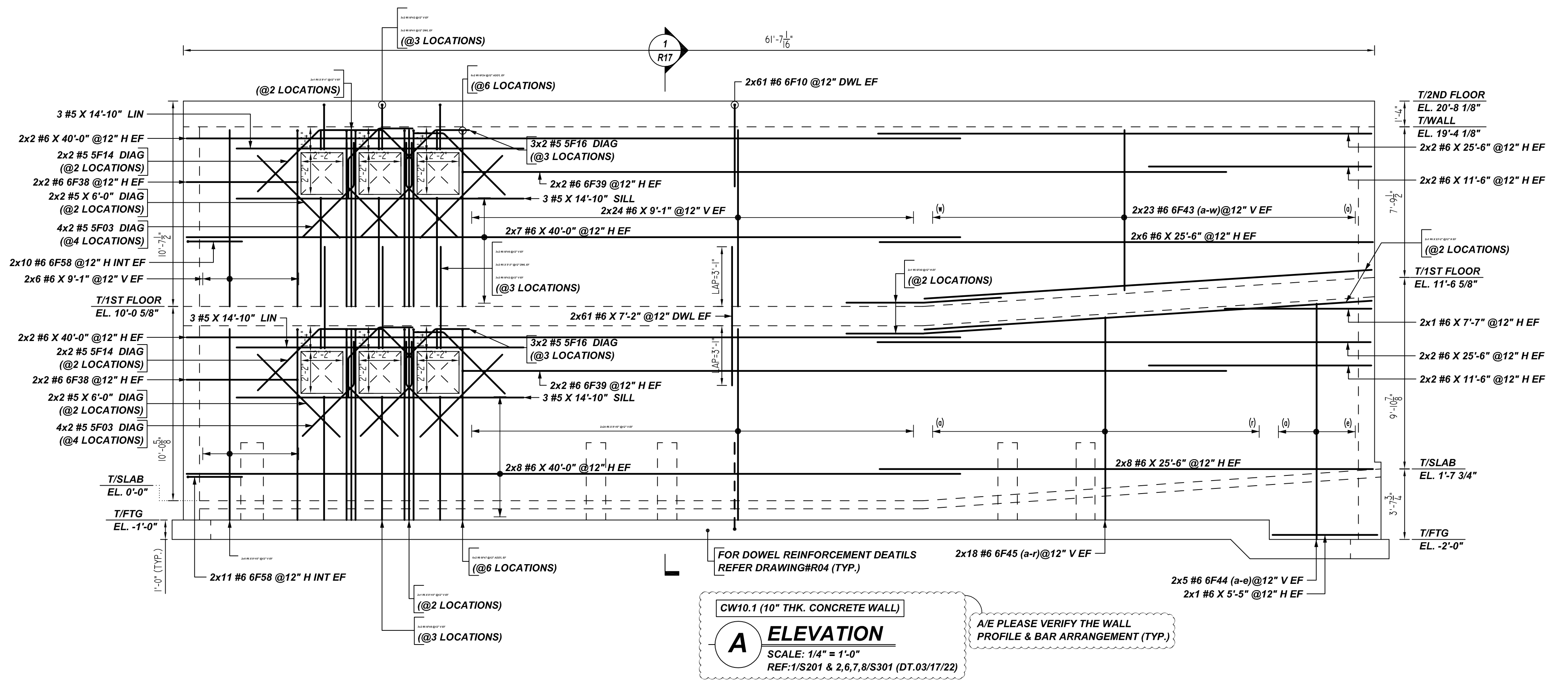
REV NO	DATE	SENT FOR	REV NO	DATE	SENT FOR
0	08.04.22	APPROVAL			

DRAWN BY	DATE	JOB NO	SHEET NO.
RTP/SS	08.04.22	M92270614P	R09

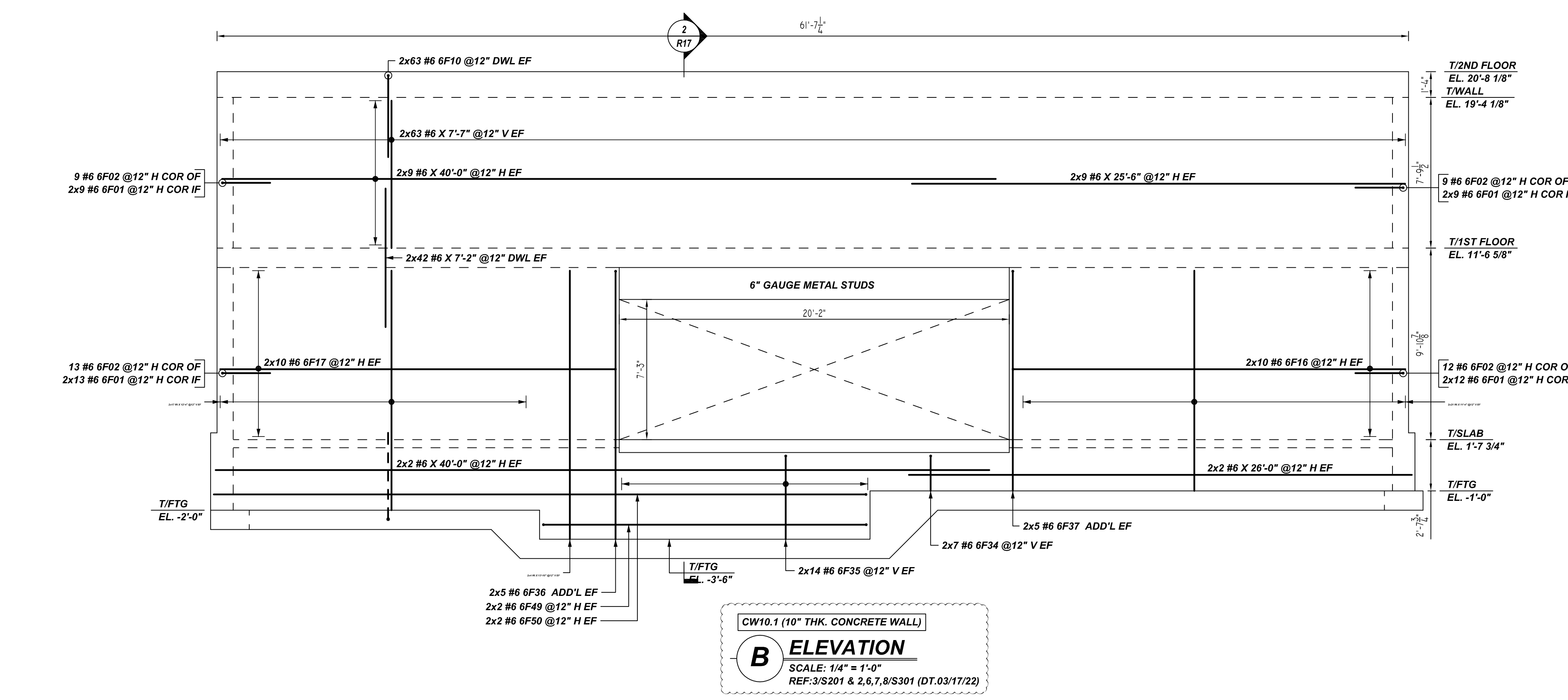
NOTICE

SHORTAGES, IMPROPER FABRICATION OR CLAIMS FOR ANY OTHER REASON MUST BE REPORTED TO THIS COMPANY WITHIN 10 DAYS FROM ORIGINAL DELIVERY. THIS COMPANY ALSO RESERVES THE RIGHT TO FIELD INSPECT MATERIALS PRIOR TO REPLACEMENT OR RECONDITIONING OF MATERIALS AND WILL NOT BE LIABLE FOR CHARGES FROM WORK DONE IN THE FIELD WITHOUT PRIOR AUTHORIZATION FROM THIS COMPANY.

REINFORCING STEEL PLACING DRAWING ONLY. USE IN CONJUNCTION WITH CONTRACT DRAWINGS & SPECIFICATIONS. ELEVATIONS & DIMENSIONS SHOWN ON DRAWING ARE FOR DETAILING PURPOSES ONLY AND SHOULD NOT BE USED FOR CONSTRUCTION UNLESS VERIFIED BY ENGINEER OR CONTRACTOR.

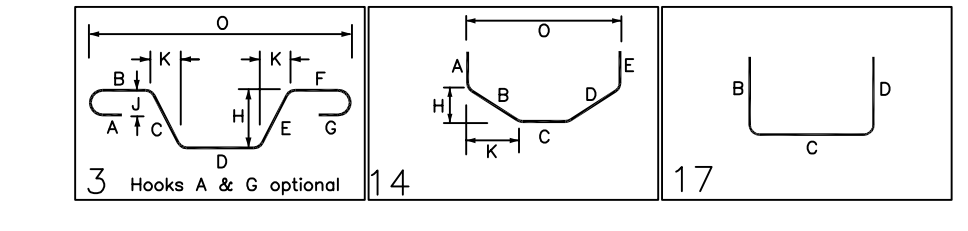


A ELEVATION
SCALE: 1/4" = 1'-0"
REF: 1/S201 & 2, 6, 7, 8/S301 (DT. 03/17/22)



B ELEVATION
SCALE: 1/4" = 1'-0"
REF: 3/S201 & 2, 6, 7, 8/S301 (DT. 03/17/22)

Bar Mark	Qty	Size	Total Length	Type	X	Y	Z	W	V	U	T	S	R	Q	P
5F03	16	#5	6'-0"	3											
5F14	8	#5	5'-11 1/2"	3											
5F16	12	#5	6'-0"	14	1'-9"										
6F01	86	#6	3'-3"	17											
6F02	43	#6	5'-0"	17											
6F10	246	#6	7'-4"	17											
6F16	20	#6	20'-9 1/2"	17											
6F17	20	#6	20'-11 1/2"	17											
6F24	24	#6	9'-7 1/2"	17											
6F34	14	#6	2'-4"	17											
6F35	28	#6	4'-10"	17											
6F36	10	#6	14'-4 1/2"	17											
6F37	10	#6	11'-10 1/2"	17											
6F38	8	#6	6'-3"	17											
6F39	8	#6	40'-0"	17											
6F40	4	#6	8'-0"	3											
6F41	12	#6	5'-5"	17											
6F42	24	#6	1'-8"	17											
6F43a	2	#6	7'-8"												
6F43b	2	#6	8'-11"												
6F44a	2	#6	12'-1"												
6F44e	2	#6	12'-4"												
6F45a	2	#6	9'-11"												
6F45e	2	#6	9'-11"												
6F45r	2	#6	11'-0"												
6F46	12	#6	6'-1 1/2"	17											
6F47	24	#6	10'-4 1/2"	17											
6F48	12	#6	6'-10 1/2"	17											
6F49	4	#6	17'-9"	17											
6F50	4	#6	34'-3"	17											
6F58	42	#6	3'-10"	17											



TYPICAL REINFORCING BAR CLEARANCE TABLE

LOCATION	MIN. COVER
WALL SIDE	2" CLR

**ALL BARS IN THIS DRAWING
ASTM A615 GRADE 60
BLACK UNCOATED**

FOUNDATION LAP SCHEDULE
4000 PSI (CLASS-B) CASE - 1
Per ACI : 318 (12.2.2)

BAR#	LENGTHS	
	TOP	OTHERS
#3	2'-0"	1'-7"
#4	2'-8"	2'-1"
#5	3'-4"	2'-7"
#6	4'-0"	3'-1"
#7	5'-10"	4'-6"
#8	6'-8"	5'-2"

CMU LAP SCHEDULE
Per ACI : 318 (12.2.2)

BAR#	LENGTHS	
	50 x BAR DIA	
#3	1'-7"	
#4	2'-1"	
#5	2'-7"	
#6	3'-2"	

REBAR GRADE 60 ASTM A-615

SPLICES USED		ABBREVIATIONS		BAR MARK SIZE EQUIVALENT	
CLASS B 4,000 psi UNO		ADD.	= Additional	Imperial	Soft Metric
TOP BARS	OTHER BARS	B.O.W.	= Bottom of wall		
#3	#3	C.B.	= Corner Bars	#3	#10
#4	#4	DIAG.	= Diagonal	#4	#13
#5	#5	D.O.	= Door Opening	#5	#16
#6	#6	DWLS.	= Dowels	#6	#19
#7	#7	E.F.	= Each Face	#7	#22
#8	#8	E.S.	= Each Side	#8	#25
#9	#9	E.W.	= Each Way	#9	#29
#10	#10	FTG.	= Footing	#10	#32
#11	#11	F.F.	= Far Face	#11	#36
#14	#14	HORIZ.	= Horizontal		
		I.F.	= Inside Face		
		INTERS.	= Intersection		
		L.W.	= long Way		
		N.F.	= Near Face		
		O.F.	= Outside Face		
		S.W.	= Short Way		
		T&B	= Top & Bottom		
		T.O.W.	= Top of Wall		
		Trans.	= Transverse		
		VERT.	= Vertical		

LIBERTY PARK 48 UNITS
CONCRETE WALL REINFORCEMENT DETAILS
UNION CITY, NJ

CUSTOMER: TORRES ATENO
DESIGNER: JT ENGINEERING

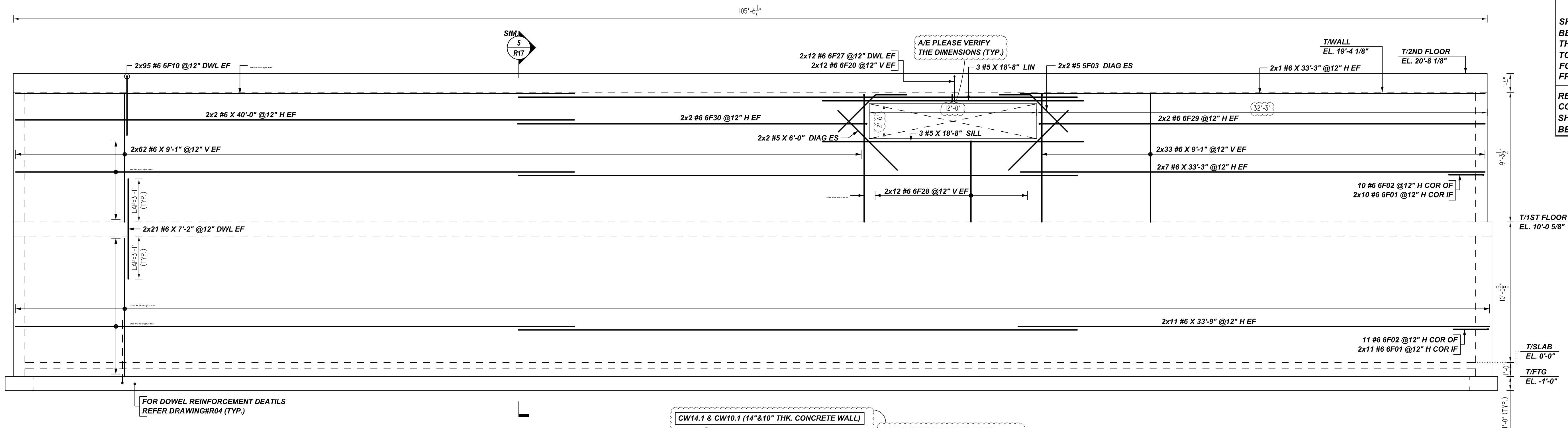
REV NO	DATE	SENT FOR	REV NO	DATE	SENT FOR
0	08.04.22	APPROVAL			

DRAWN BY	DATE	JOB NO	SHEET NO.
RTP/SS	08.04.22	M92270614P	R10

NOTICE

SHORTAGES, IMPROPER FABRICATION OR CLAIMS FOR ANY OTHER REASON MUST BE REPORTED TO THIS COMPANY WITHIN 10 DAYS FROM ORIGINAL DELIVERY. THIS COMPANY ALSO RESERVES THE RIGHT TO FIELD INSPECT MATERIALS PRIOR TO REPLACEMENT OR RECONDITIONING OF MATERIALS AND WILL NOT BE LIABLE FOR CHARGES FROM WORK DONE IN THE FIELD WITHOUT PRIOR AUTHORIZATION FROM THIS COMPANY.

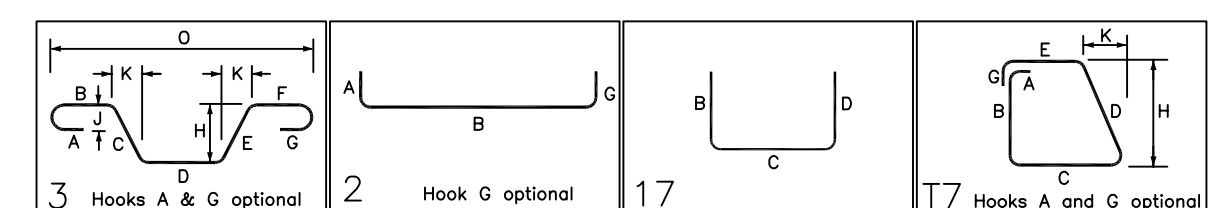
REINFORCING STEEL PLACING DRAWING ONLY. USE IN CONJUNCTION WITH CONTRACT DRAWINGS & SPECIFICATIONS. ELEVATIONS & DIMENSIONS SHOWN ON DRAWING ARE FOR DETAILING PURPOSES ONLY AND SHOULD NOT BE USED FOR CONSTRUCTION UNLESS VERIFIED BY ENGINEER OR CONTRACTOR.



G ELEVATION
SCALE: 1/4" = 1'-0"
REF: 2/S201 & 1/S301 (DT.03/17/22)

A/E PLEASE VERIFY THE WALL PROFILE & BAR ARRANGEMENT (TYP.)

Bar Mark	Qty	Size	Total Length	Type	X	Y	Z	W	V	U	T	S	R	Q	P	O	N	M	L	K	J	I	H	G	F	E	D	C	B	A
5F03	6	#5	6'-0"	3																										
5F12	3	#5	9'-7"	2	0'-10"	7'-11"																								
6F01	202	#6	3'-3"	13																										
6F02	68	#6	5'-0"	17																										
6F10	270	#6	7'-4"	17																										
6F11	10	#6	7'-1"	17																										
6F20	24	#6	1'-0"	17																										
6F24	32	#6	9'-7"	17																										
6F25	10	#6	7'-3"	17																										
6F26	10	#6	6'-2"	17																										
6F27	24	#6	4'-11"	17																										
6F28	24	#6	6'-3"	17																										
6F29	4	#6	3'-5"	17																										
6F30	4	#6	25'-5"	17																										
6F51	21	#6	5'-0"	17																										
6F52	16	#6	7'-7"	17																										
6F53	16	#6	1'-2"	17																										
6F54	8	#6	1'-5"	17																										
6F55	8	#6	4'-7"	17																										
6F56	8	#6	7'-10"	17																										



TYPICAL REINFORCING BAR CLEARANCE TABLE

LOCATION	MIN. COVER
WALL SIDE	2" CLR

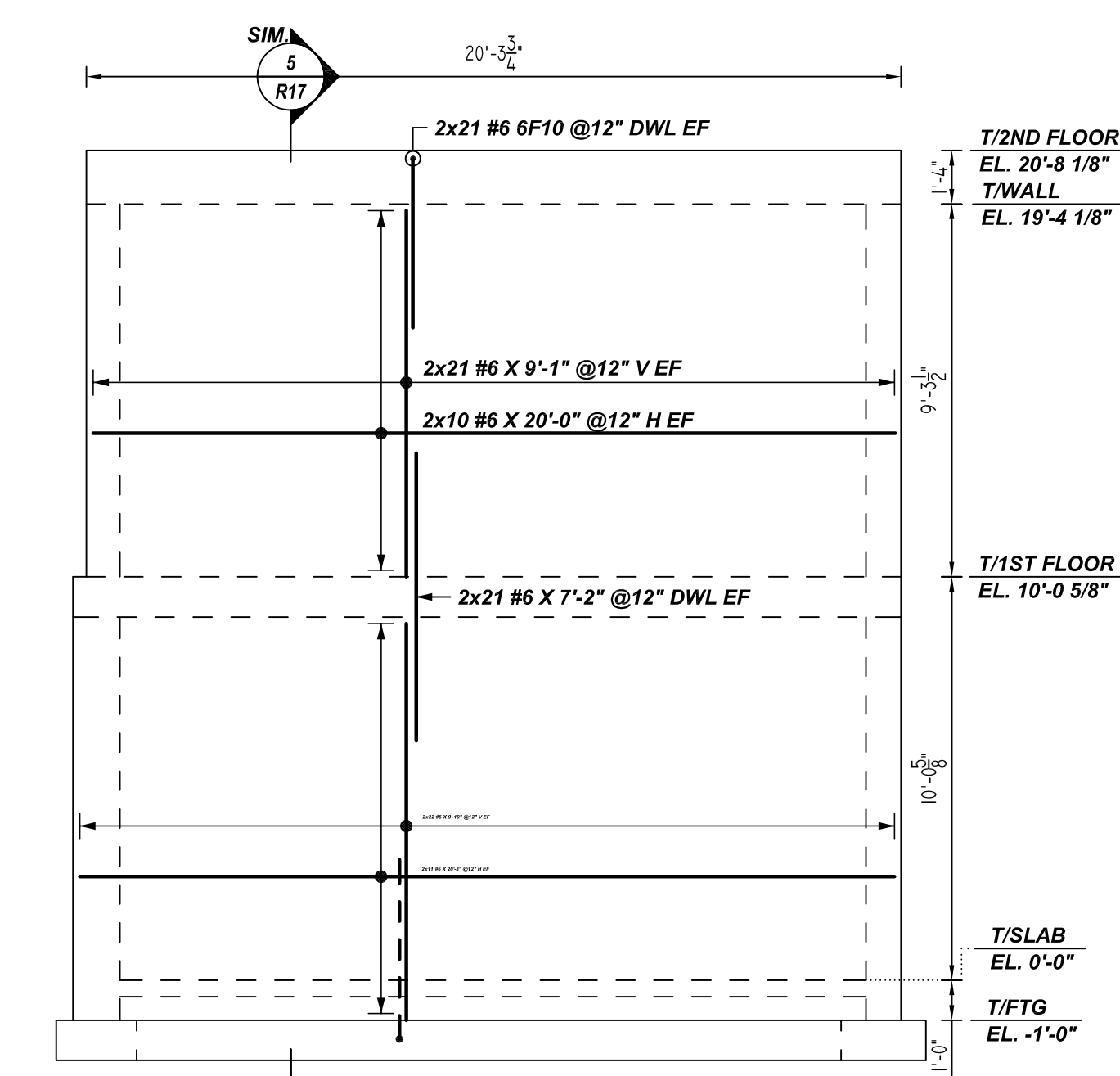
FOUNDATION LAP SCHEDULE
4000 PSI (CLASS-B) CASE - 1
Per ACI 318 (12.2.2)

BAR#	LENGTHS	
	TOP	OTHERS
#3	2'-0"	1'-7"
#4	2'-8"	2'-1"
#5	3'-4"	2'-7"
#6	4'-0"	3'-1"
#7	5'-10"	4'-6"
#8	6'-8"	5'-2"

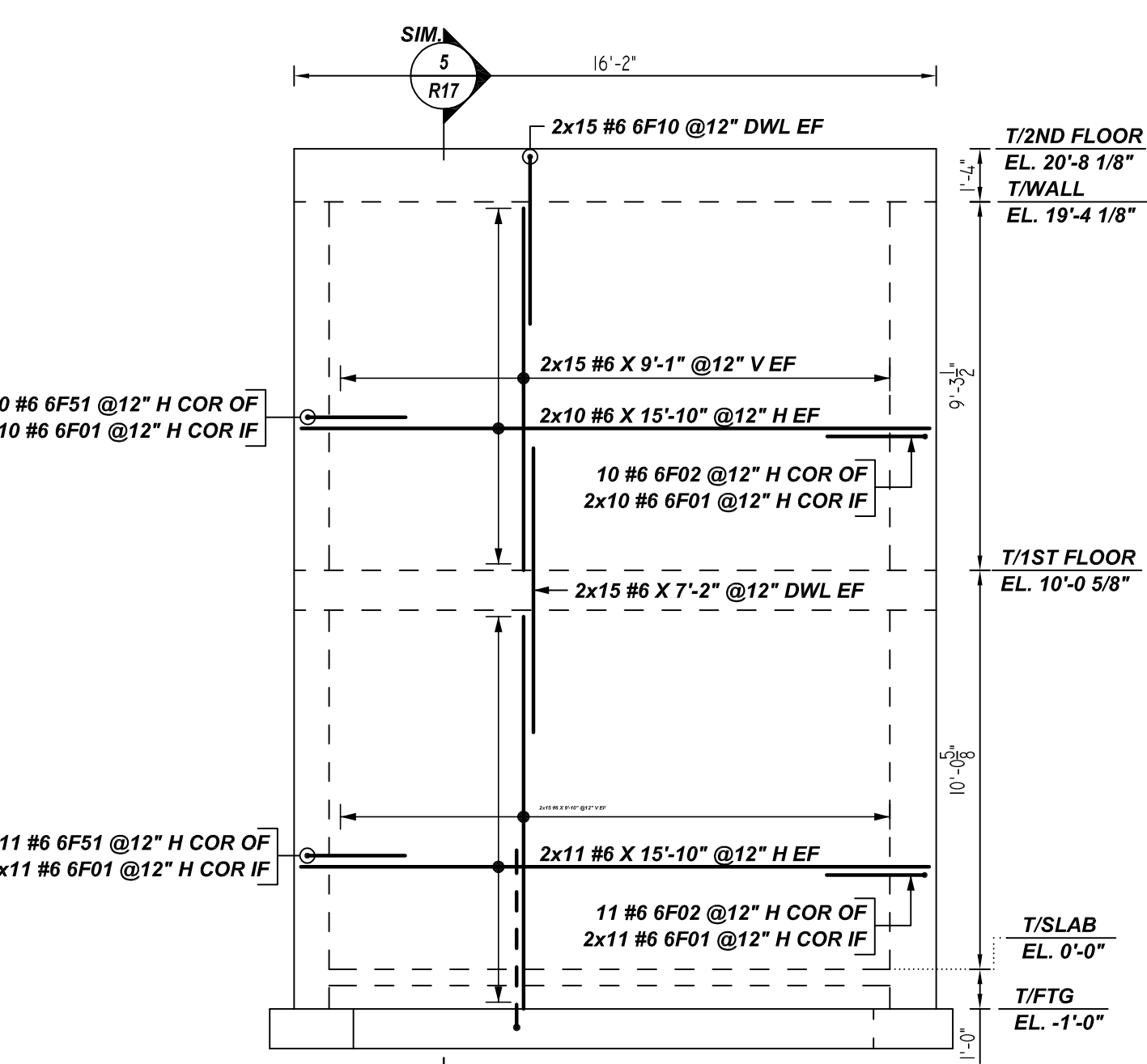
CMU LAP SCHEDULE
Per ACI 318 (12.2.2)

BAR#	LENGTHS	
	50 x BAR DIA	
#3	1'-7"	
#4	2'-1"	
#5	2'-7"	
#6	3'-2"	

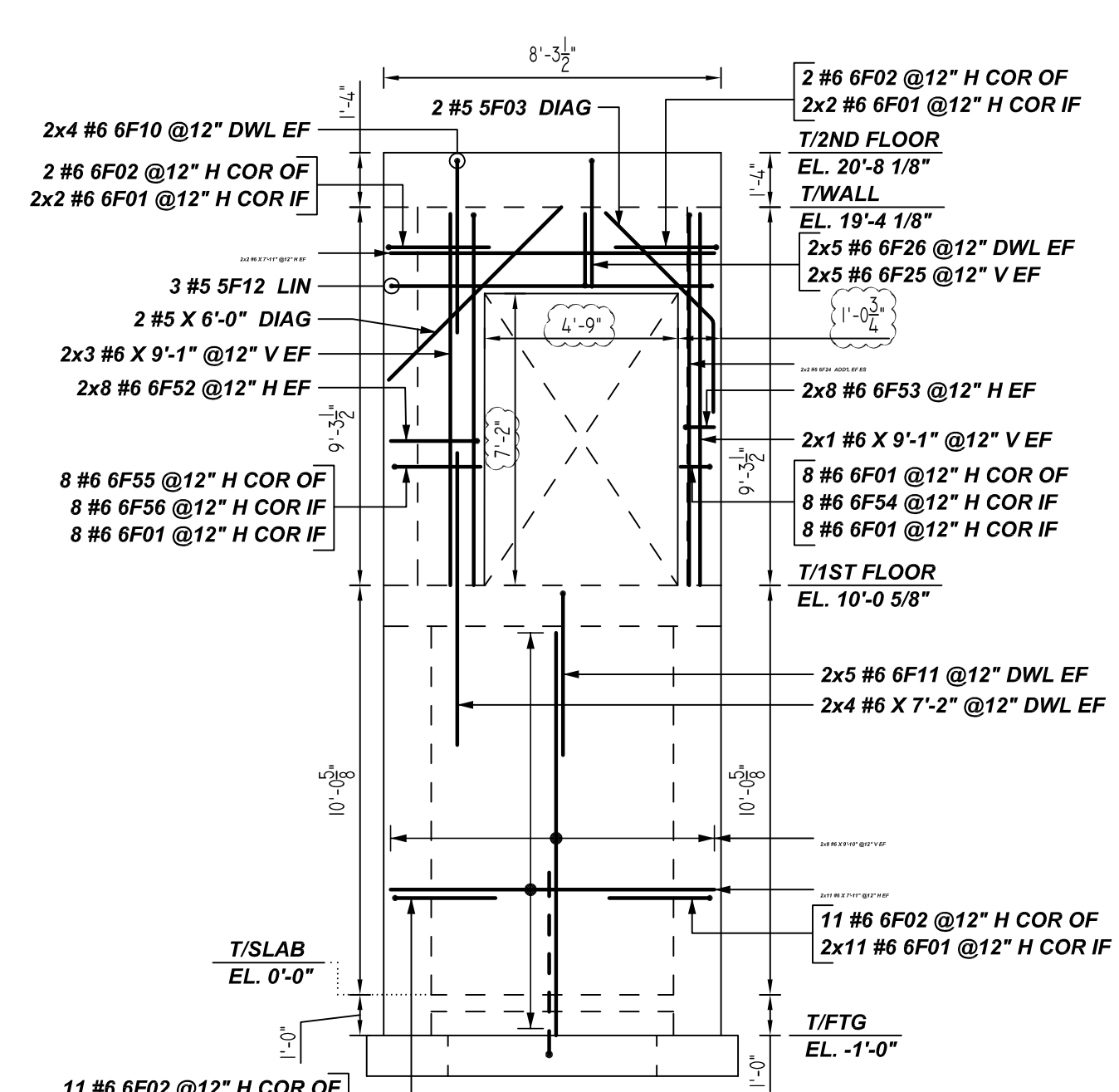
**ALL BARS IN THIS DRAWING
ASTM A615 GRADE 60
BLACK UNCOATED**



E ELEVATION
SCALE: 1/4" = 1'-0"
REF: 2/S201 & 6/S301 (DT.03/17/22)



F ELEVATION
SCALE: 1/4" = 1'-0"
REF: 2/S201 & 6/S301 (DT.03/17/22)



H ELEVATION
SCALE: 1/4" = 1'-0"
REF: 2/S201 & 1/S301 (DT.03/17/22)

REBAR GRADE 60 ASTM A-615

SPLICES USED		ABBREVIATIONS		BAR MARK SIZE EQUIVALENT	
CLASS B 4,000 psi UNO		ADD.	= Additional	Imperial	
TOP BARS	OTHER BARS	B.O.W.	= Bottom of wall	Soft Metric	
#3	#3	C.B.	= Corner Bars	#3	#10
#4	#4	DIAG.	= Diagonal	#4	#13
#5	#5	D.O.	= Door Opening	#5	#16
#6	#6	D.W.L.S.	= Dowels	#6	#19
#7	#7	E.F.	= Each Face	#7	#22
#8	#8	E.S.	= Each Side	#8	#25
#9	#9	E.W.	= Each Way	#9	#29
#10	#10	FTG.	= Footing	#10	#32
#11	#11	F.F.	= Far Face	#11	#36
#14	#14	HORIZ.	= Horizontal		
		I.F.	= Inside Face		
		INTERS.	= Intersection		
		L.W.	= long Way		
		N.F.	= Near Face		
		O.F.	= Outside Face		
		S.W.	= Short Way		
		T&B	= Top & Bottom		
		T.O.W.	= Top of Wall		
		Trans.	= Transverse		
		VERT.	= Vertical		

LIBERTY PARK 48 UNITS
CONCRETE WALL REINFORCEMENT DETAILS
UNION CITY, NJ

CUSTOMER: TORRES ATENO
DESIGNER: JT ENGINEERING

REV NO	DATE	APPROVAL	REV NO	DATE	SENT FOR
0	08.04.22				

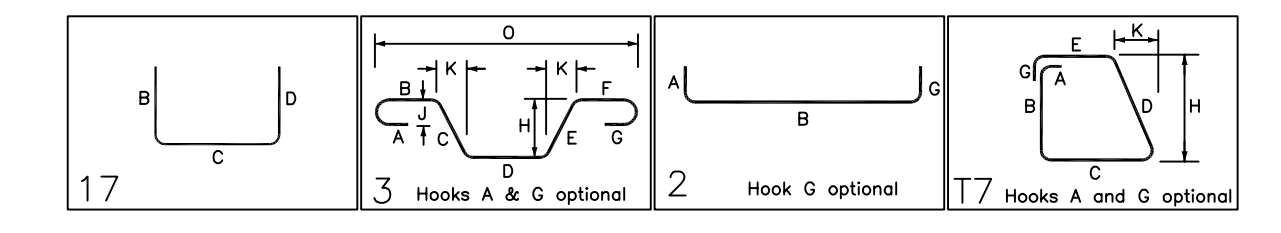
DRAWN BY	DATE	JOB NO	SHEET NO.
RTP/SS	08.04.22	M92270614P	R12

NOTICE

SHORTAGES, IMPROPER FABRICATION OR CLAIMS FOR ANY OTHER REASON MUST BE REPORTED TO THIS COMPANY WITHIN 10 DAYS FROM ORIGINAL DELIVERY. THIS COMPANY ALSO RESERVES THE RIGHT TO FIELD INSPECT MATERIALS PRIOR TO REPLACEMENT OR RECONDITIONING OF MATERIALS AND WILL NOT BE LIABLE FOR CHARGES FROM WORK DONE IN THE FIELD WITHOUT PRIOR AUTHORIZATION FROM THIS COMPANY.

REINFORCING STEEL PLACING DRAWING ONLY USE IN CONJUNCTION WITH CONTRACT DRAWINGS & SPECIFICATIONS. ELEVATIONS & DIMENSIONS SHOWN ON DRAWING ARE FOR DETAILING PURPOSES ONLY AND SHOULD NOT BE USED FOR CONSTRUCTION UNLESS VERIFIED BY ENGINEER OR CONTRACTOR.

Release Number: R13	Bar Mark	Qty	Size	Total Length	Type	X	Y	Z	Y'	Z'	Y''	Z''	Y'''	Z'''
5F08	8	#5	5'-2"	17										
5F09	4	#5	6'-0"	3										
5F10	4	#5	6'-0"	3										
5F11	6	#5	16'-2"	2										
6F01	172	#6	5'-3"	17										
6F02	76	#6	5'-0"	17										
6F10	150	#6	7'-4"	17										
6F12	14	#6	2'-11"	17										
6F13	14	#6	3'-3 1/2"	17										
6F14	16	#6	2'-5"	17										
6F15	16	#6	3'-9 1/2"	17										
6F18	10	#6	7'-8"	17										
6F19	6	#6	6'-0"	17										
6F20	20	#6	1'-0"	17										
6F21	20	#6	7'-10"	17										
6F22	20	#6	1'-10"	17										
6F23	20	#6	5'-9"	17										
6F24	8	#6	9'-2 1/2"	17										
6F25	10	#6	5'-0"	17										
6F27	4	#6	5'-11 1/2"	17										
6F28	80	#6	3'-10"	17										
6F29	2	#6	13'-2"	17										
6F32	2	#6	6'-10"	17										



TYPICAL REINFORCING BAR CLEARANCE TABLE	
LOCATION	MIN. COVER
WALL SIDE	2" CLR

**ALL BARS IN THIS DRAWING
ASTM A615 GRADE 60
BLACK UNCOATED**

FOUNDATION LAP SCHEDULE

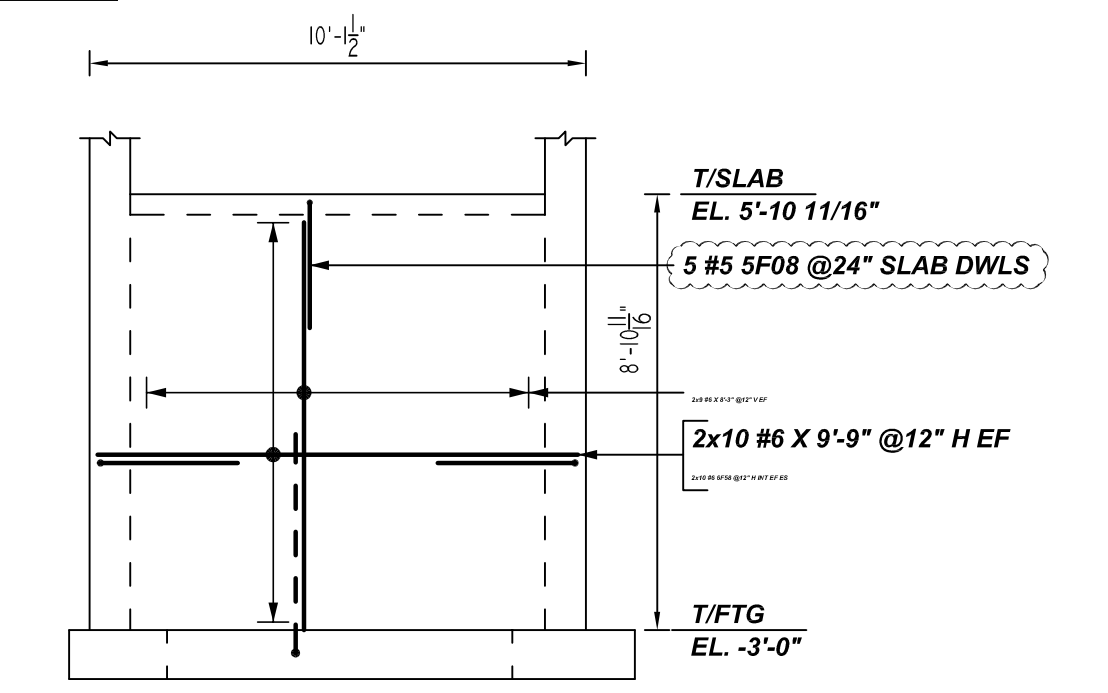
4000 PSI (CLASS-B) CASE - 1
Per ACI :318 (12.2.2)

BAR#	LENGTHS	
	TOP	OTHERS
#3	2'-0"	1'-7"
#4	2'-8"	2'-1"
#5	3'-4"	2'-7"
#6	4'-0"	3'-1"
#7	5'-10"	4'-6"
#8	6'-8"	5'-2"

CMU LAP SCHEDULE

Per ACI :318 (12.2.2)

BAR#	LENGTHS	
	50 x BAR DIA	
#3	1'-7"	
#4	2'-1"	
#5	2'-7"	
#6	3'-2"	



N ELEVATION
SCALE: 1/4" = 1'-0"
REF: 2/S201 & 1/S301 (DT.03/17/22)

REBAR GRADE 60 ASTM A-615

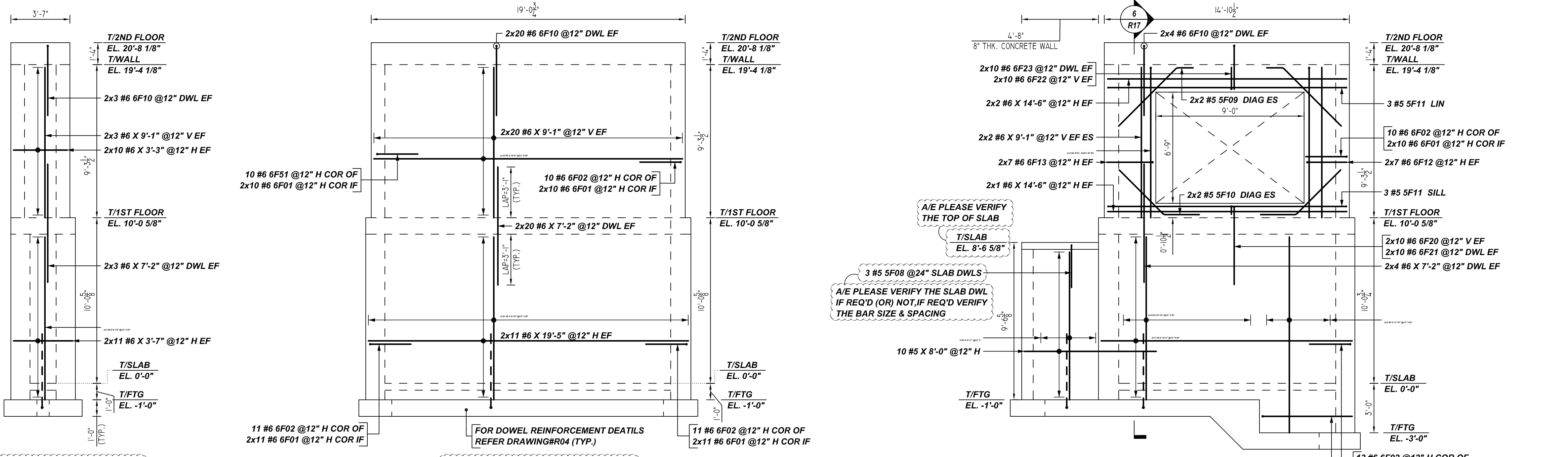
SPLICES USED		ABBREVIATIONS		BAR MARK SIZE EQUIVALENT	
CLASS B 4,000 psi UNO				Imperial	Soft Metric
TOP BARS	OTHER BARS	ADD.	Additional	#3	#10
#3	#3	B.O.W.	Bottom of wall	#4	#13
#4	#4	C.B.	Corner Bars	#5	#16
#5	#5	DIAG.	Diagonal	#6	#19
#6	#6	D.O.	Door Opening	#7	#22
#7	#7	D.W.S.	Dowels	#8	#25
#8	#8	E.F.	Each Face	#9	#29
#9	#9	E.S.	Each Side	#10	#32
#10	#10	E.W.	Each Way	#11	#36
#11	#11	FTG.	Footing		
#14	#14	F.F.	Far Face		
		HORIZ.	Horizontal		
		I.F.	Inside Face		
		INTERS.	Intersection		
		L.W.	long Way		
		N.F.	Near Face		
		O.F.	Outside Face		
		S.W.	Short Way		
		T&B	Top & Bottom		
		T.O.W.	Top of Wall		
		Trans.	Transverse		
		VERT.	Vertical		

**LIBERTY PARK 48 UNITS
CONCRETE WALL REINFORCEMENT DETAILS
UNION CITY, NJ**

CUSTOMER: TORRES ATENO
DESIGNER: JT ENGINEERING

DRAWN BY	DATE	JOB NO	SHEET NO.
RTP/SS	08.04.22	M92270614P	R13

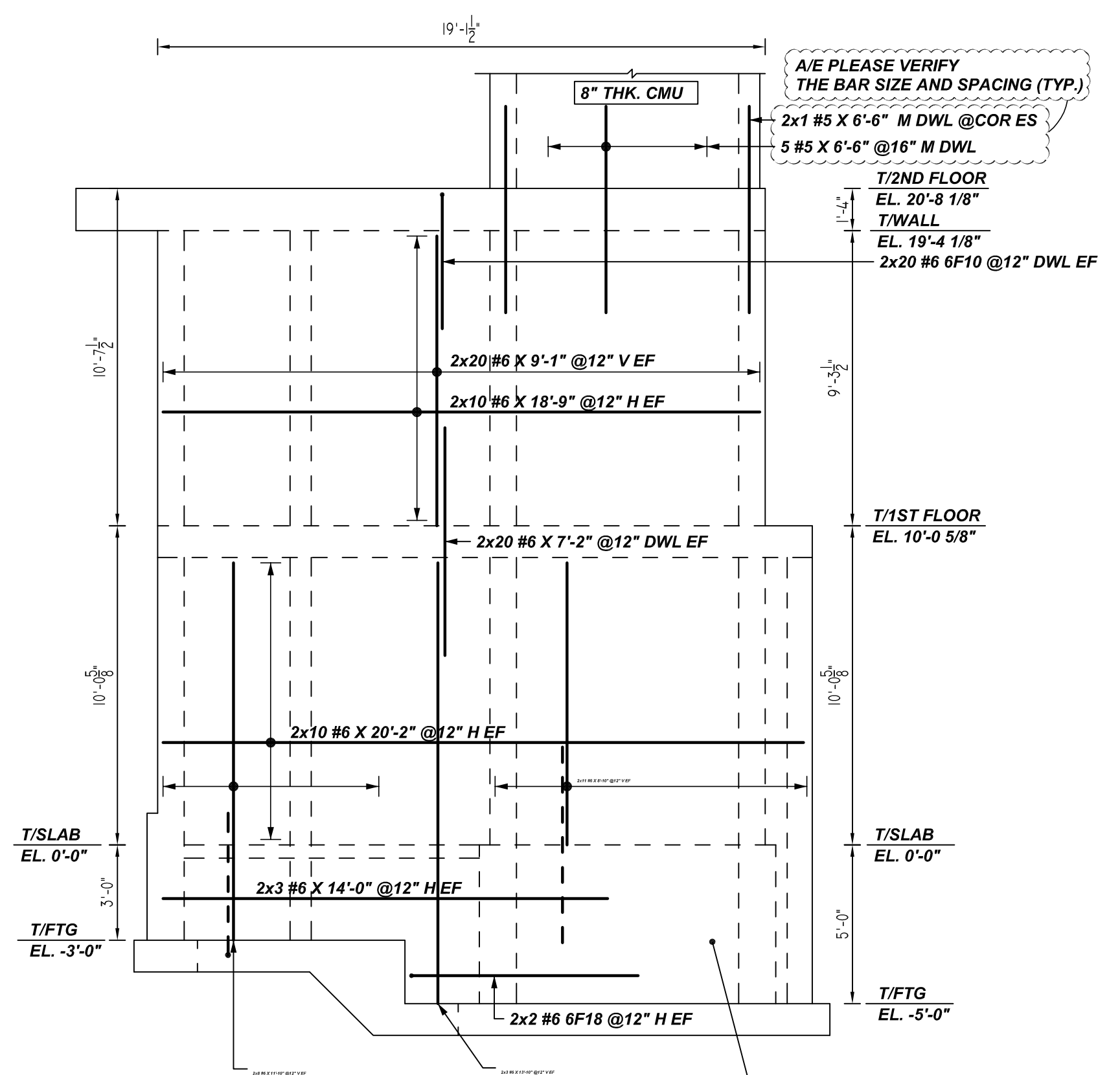
REV NO	DATE	APPROVAL	REV NO	DATE	SENT FOR
0	08.04.22				



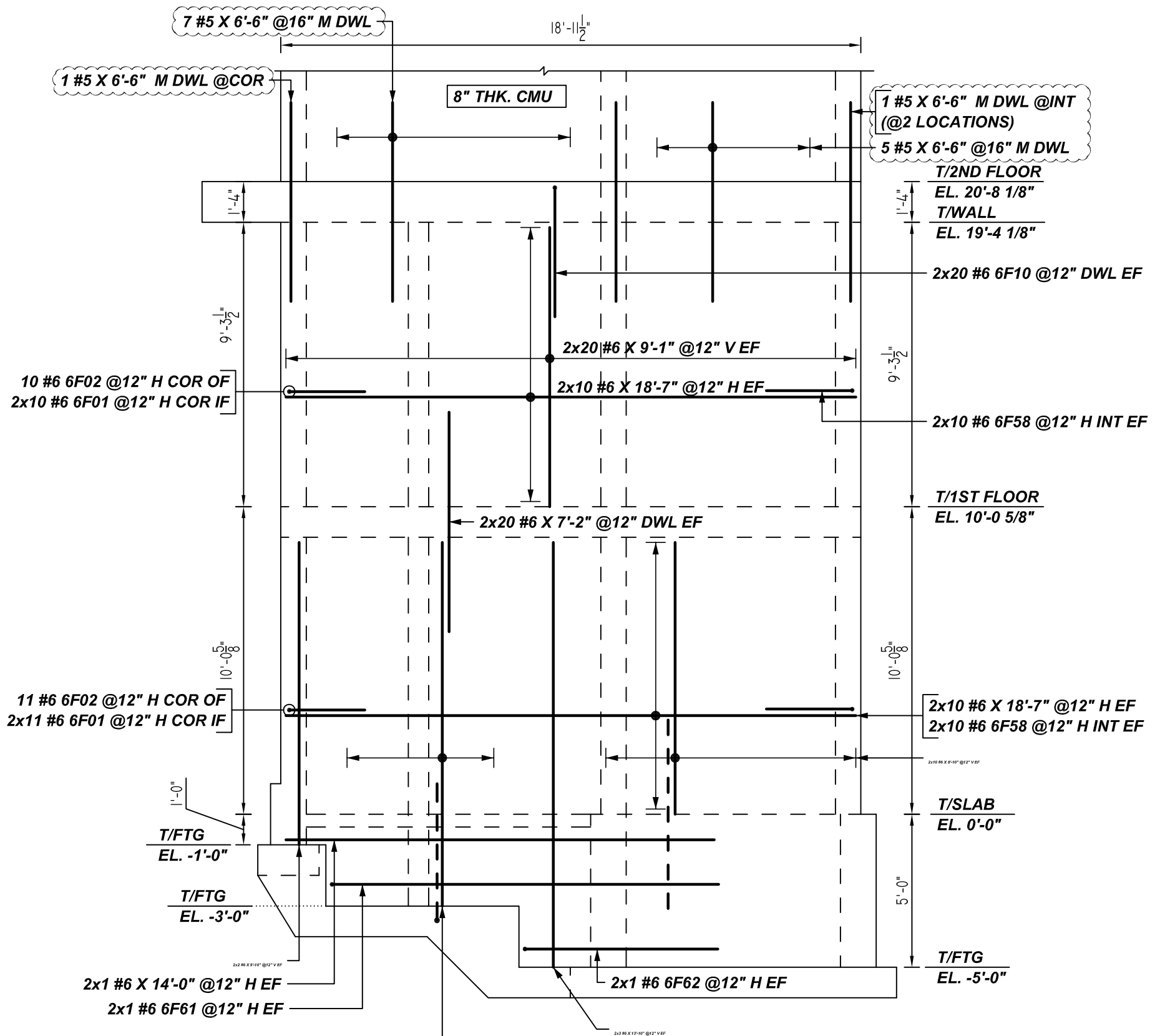
J ELEVATION
SCALE: 1/4" = 1'-0"
REF: 2/S201 & 1/S301 (DT.03/17/22)
A/E PLEASE VERIFY THE WALL PROFILE & BAR ARRANGEMENT (TYP.)

K ELEVATION
SCALE: 1/4" = 1'-0"
REF: 2/S201 & 1/S301 (DT.03/17/22)
FOR DOWEL REINFORCEMENT DETAILS REFER DRAWING#R04 (TYP.)

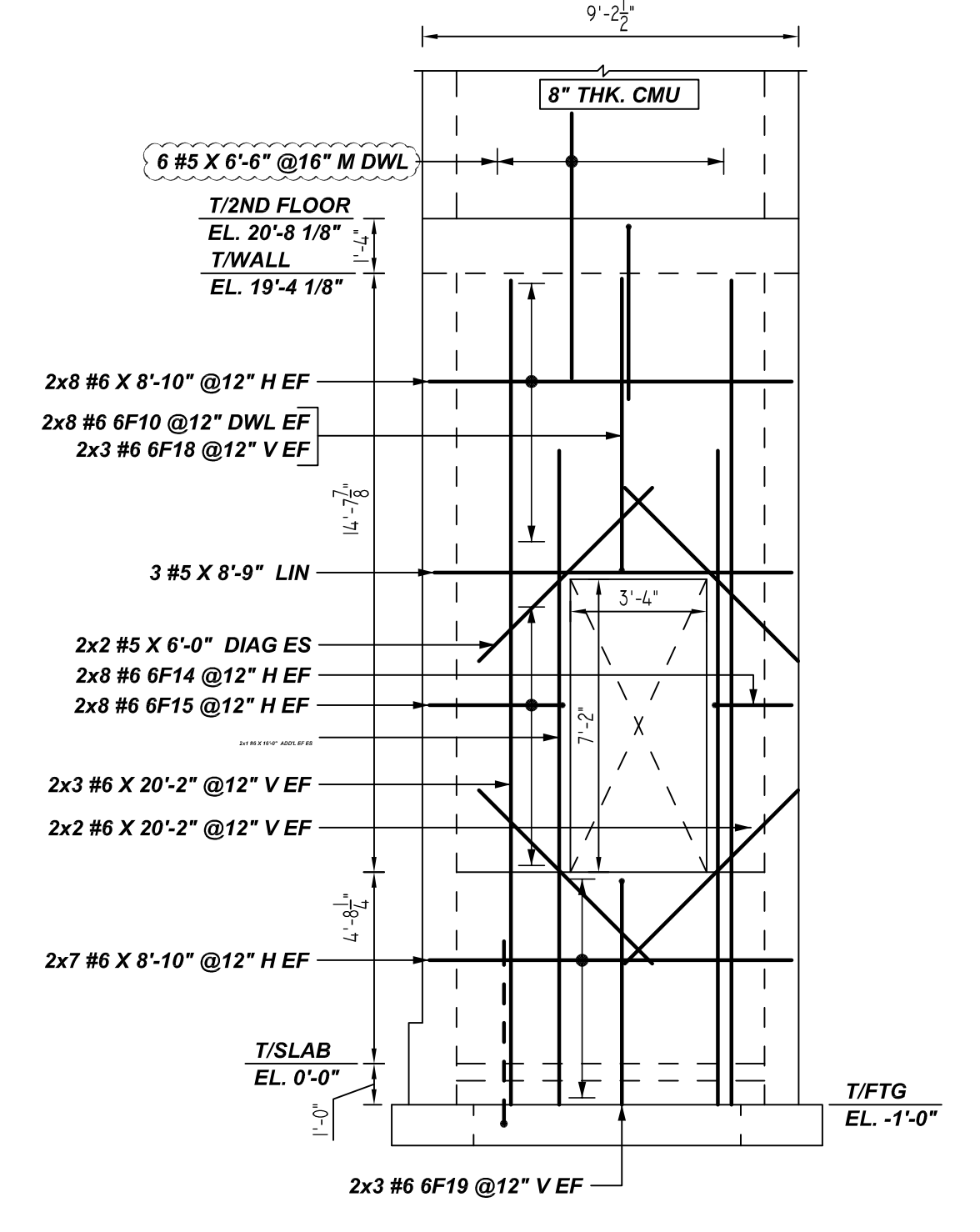
L ELEVATION
SCALE: 1/4" = 1'-0"
REF: 2/S201 & 1/S301 (DT.03/17/22)
A/E PLEASE VERIFY THE TOP OF SLAB IF REQ'D (OR) NOT, IF REQ'D VERIFY THE BAR SIZE & SPACING



M ELEVATION
SCALE: 1/4" = 1'-0"
REF: 3/S201 & 2,6,7,8/S301 (DT.03/17/22)
FOR ELEV.PIT REINFORCEMENT DETAILS REFER DRAWING#R02 (TYP.)



P ELEVATION
SCALE: 1/4" = 1'-0"
REF: 3/S201 & 2,6,7,8/S301 (DT.03/17/22)

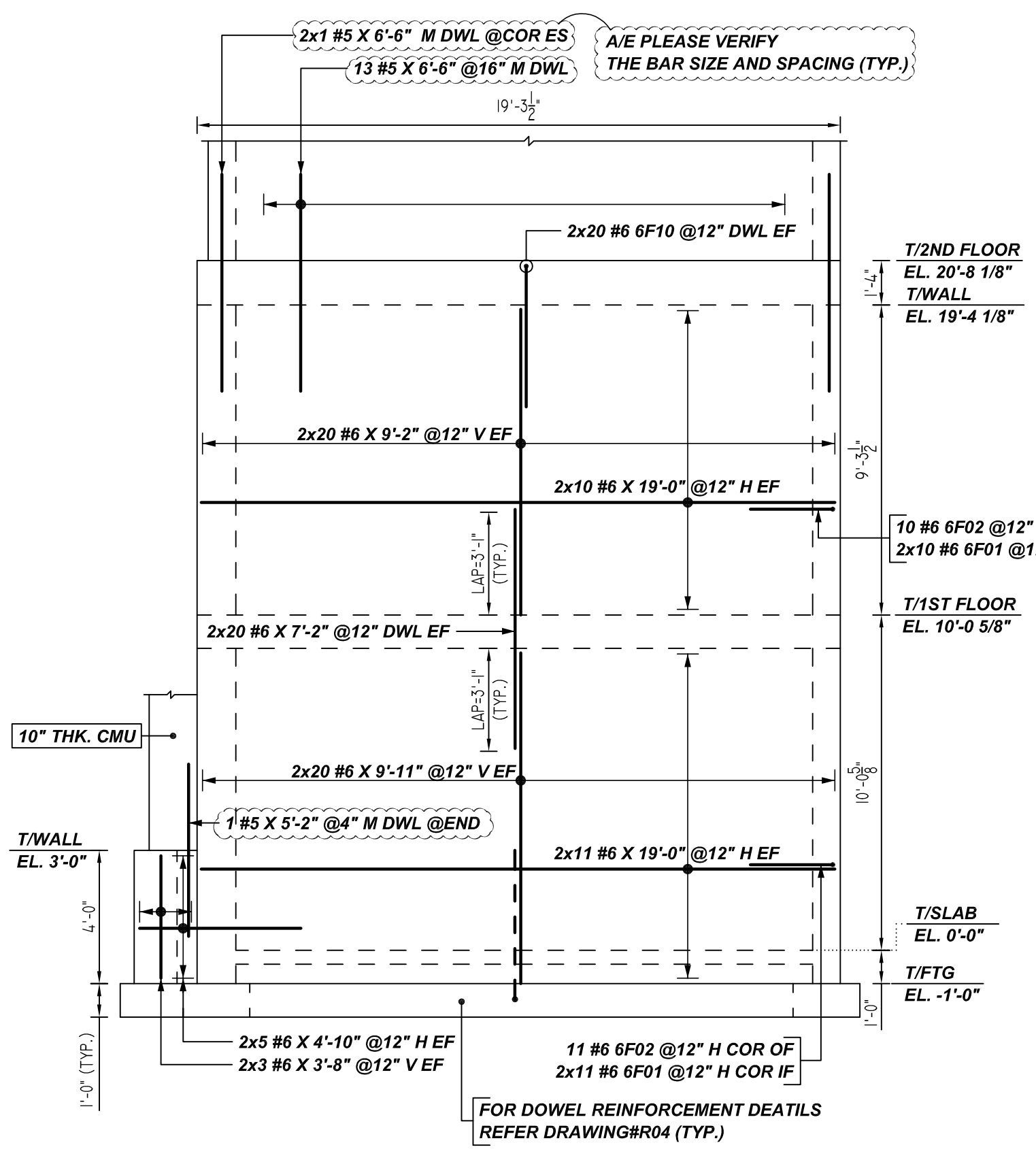


Q ELEVATION
SCALE: 1/4" = 1'-0"
REF: 1/S201 & 2,6,7,8/S301 (DT.03/17/22)

NOTICE

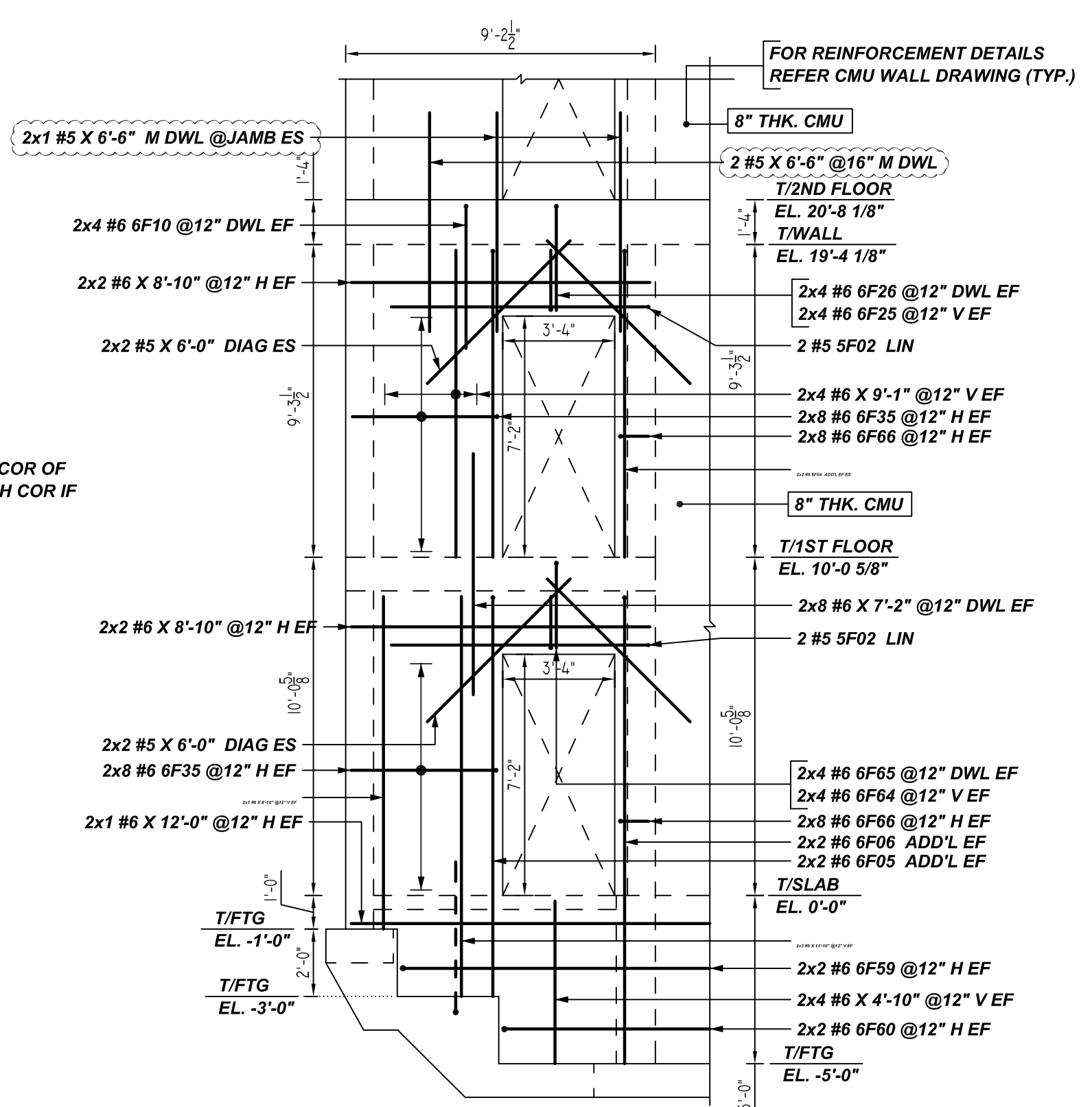
SHORTAGES, IMPROPER FABRICATION OR CLAIMS FOR ANY OTHER REASON MUST BE REPORTED TO THIS COMPANY WITHIN 10 DAYS FROM ORIGINAL DELIVERY. THIS COMPANY ALSO RESERVES THE RIGHT TO FIELD INSPECT MATERIALS PRIOR TO REPLACEMENT OR RECONDITIONING OF MATERIALS AND WILL NOT BE LIABLE FOR CHARGES FROM WORK DONE IN THE FIELD WITHOUT PRIOR AUTHORIZATION FROM THIS COMPANY.

REINFORCING STEEL PLACING DRAWING ONLY USE IN CONJUNCTION WITH CONTRACT DRAWINGS & SPECIFICATIONS. ELEVATIONS & DIMENSIONS SHOWN ON DRAWING ARE FOR DETAILING PURPOSES ONLY AND SHOULD NOT BE USED FOR CONSTRUCTION UNLESS VERIFIED BY ENGINEER OR CONTRACTOR.

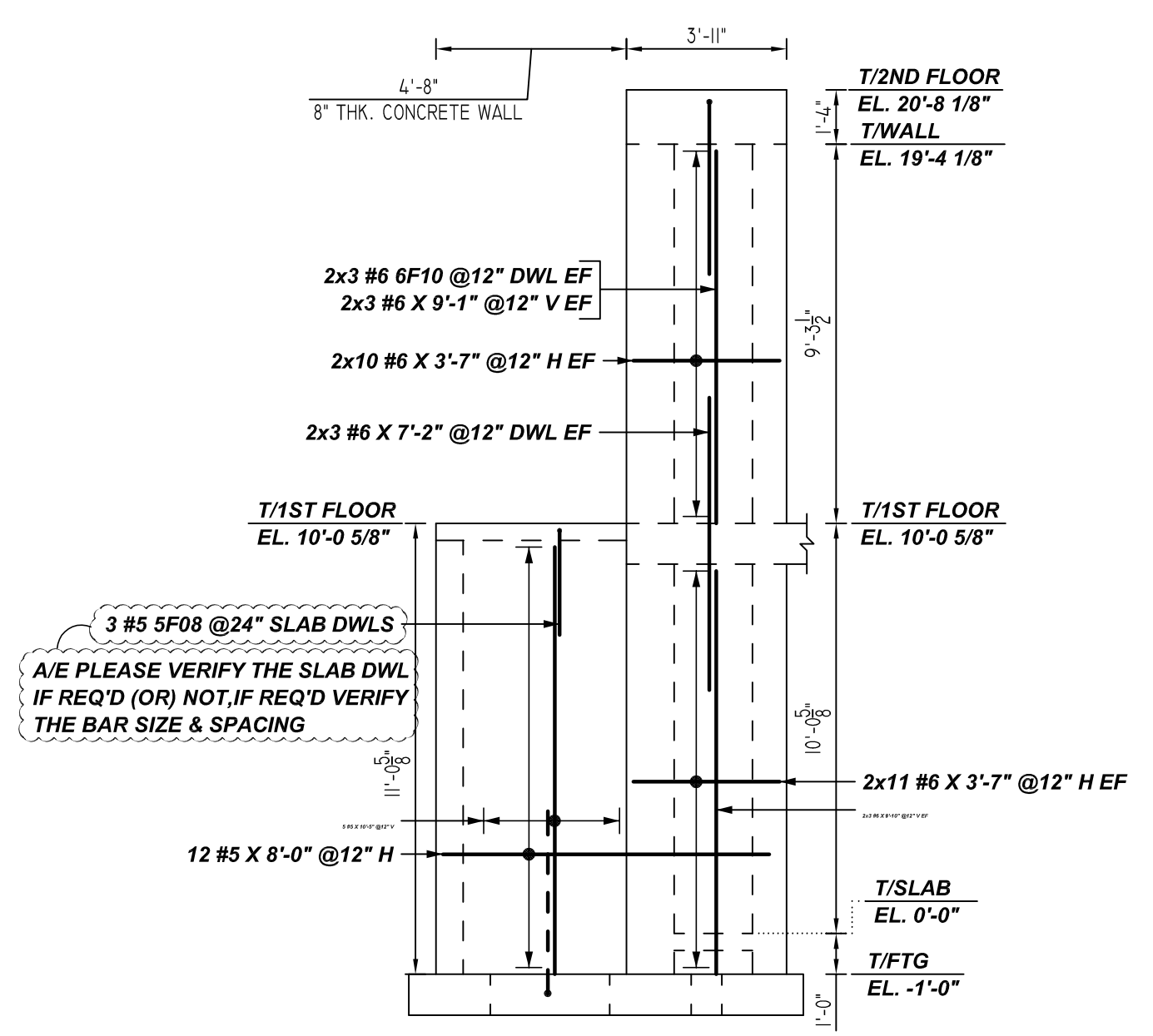


R ELEVATION
SCALE: 1/4" = 1'-0"
REF: 1/S201 & 2,6,7,8/S301 (DT.03/17/22)

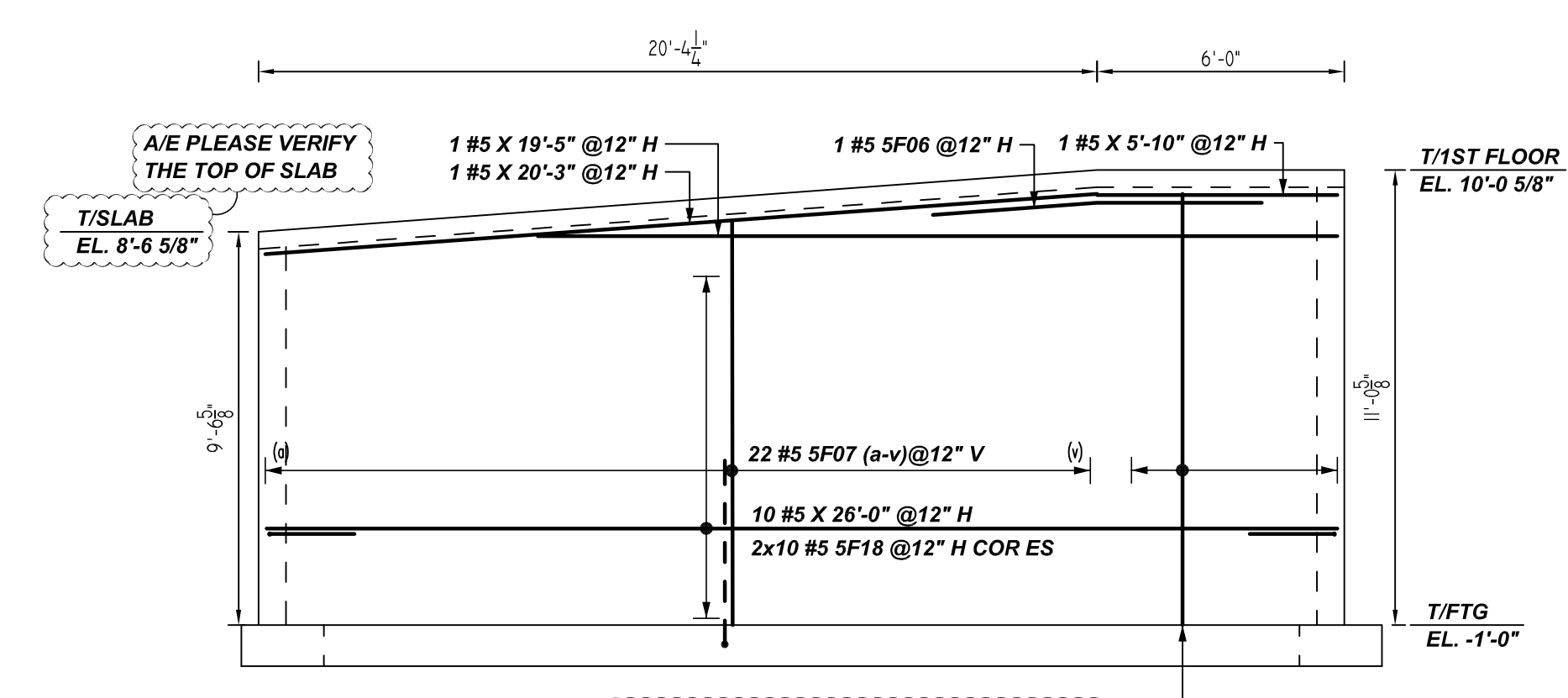
A/E PLEASE VERIFY THE WALL PROFILE & BAR ARRANGEMENT (TYP.)



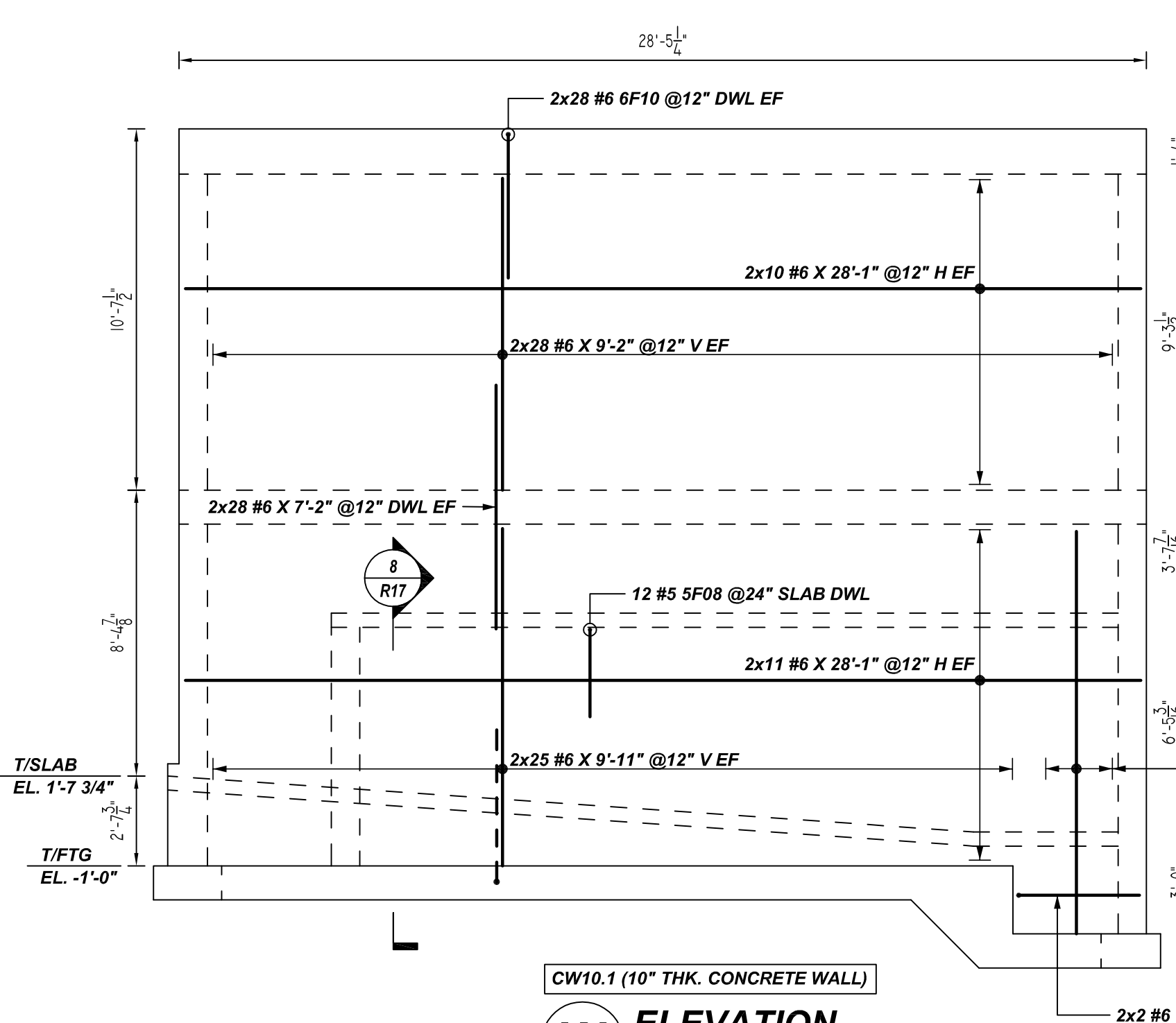
S ELEVATION
SCALE: 1/4" = 1'-0"
REF: 1/S201 & 2,6,7,8/S301 (DT.03/17/22)



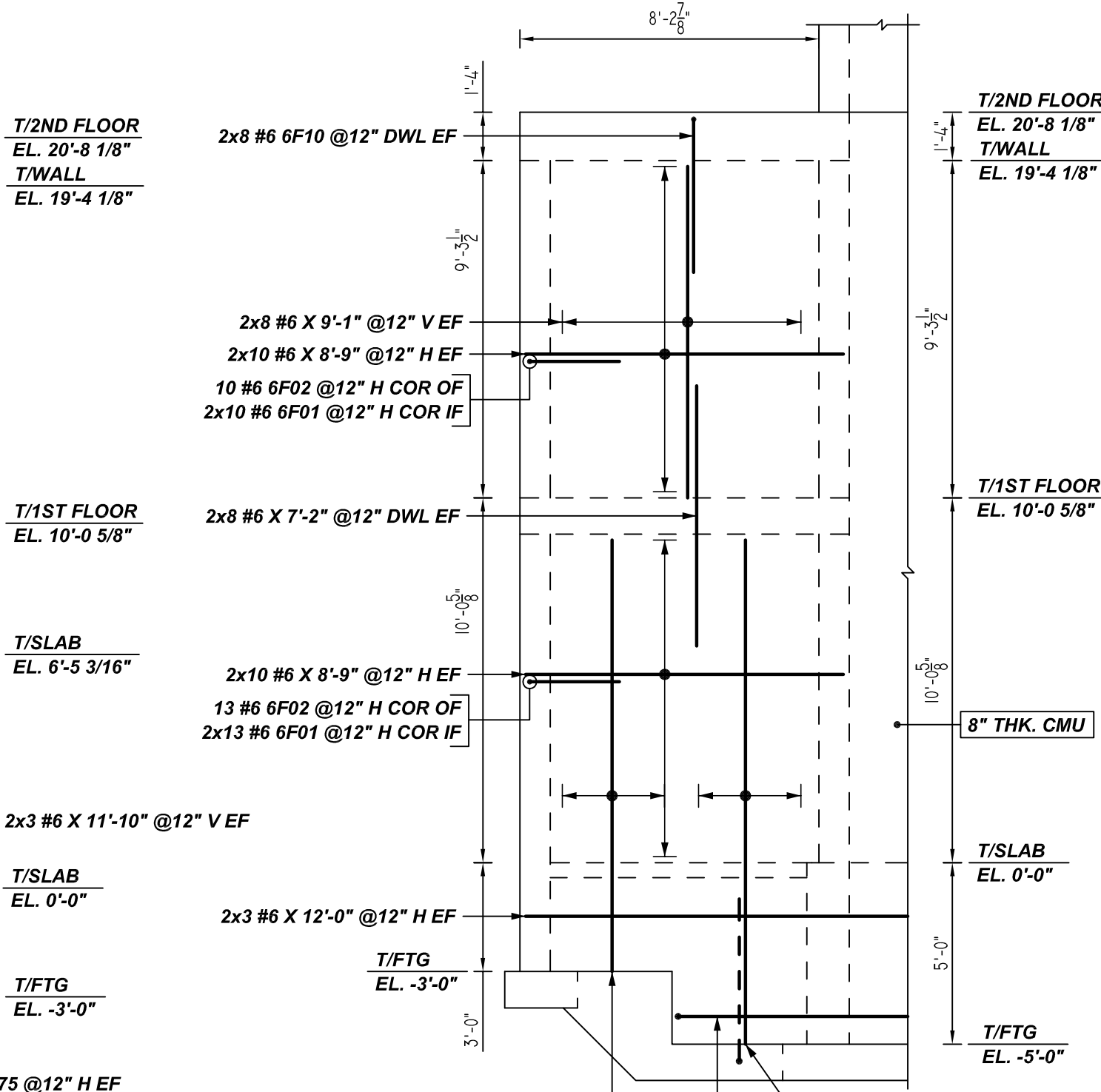
T ELEVATION
SCALE: 1/4" = 1'-0"
REF: 2/S201 & 1/S301 (DT.03/17/22)



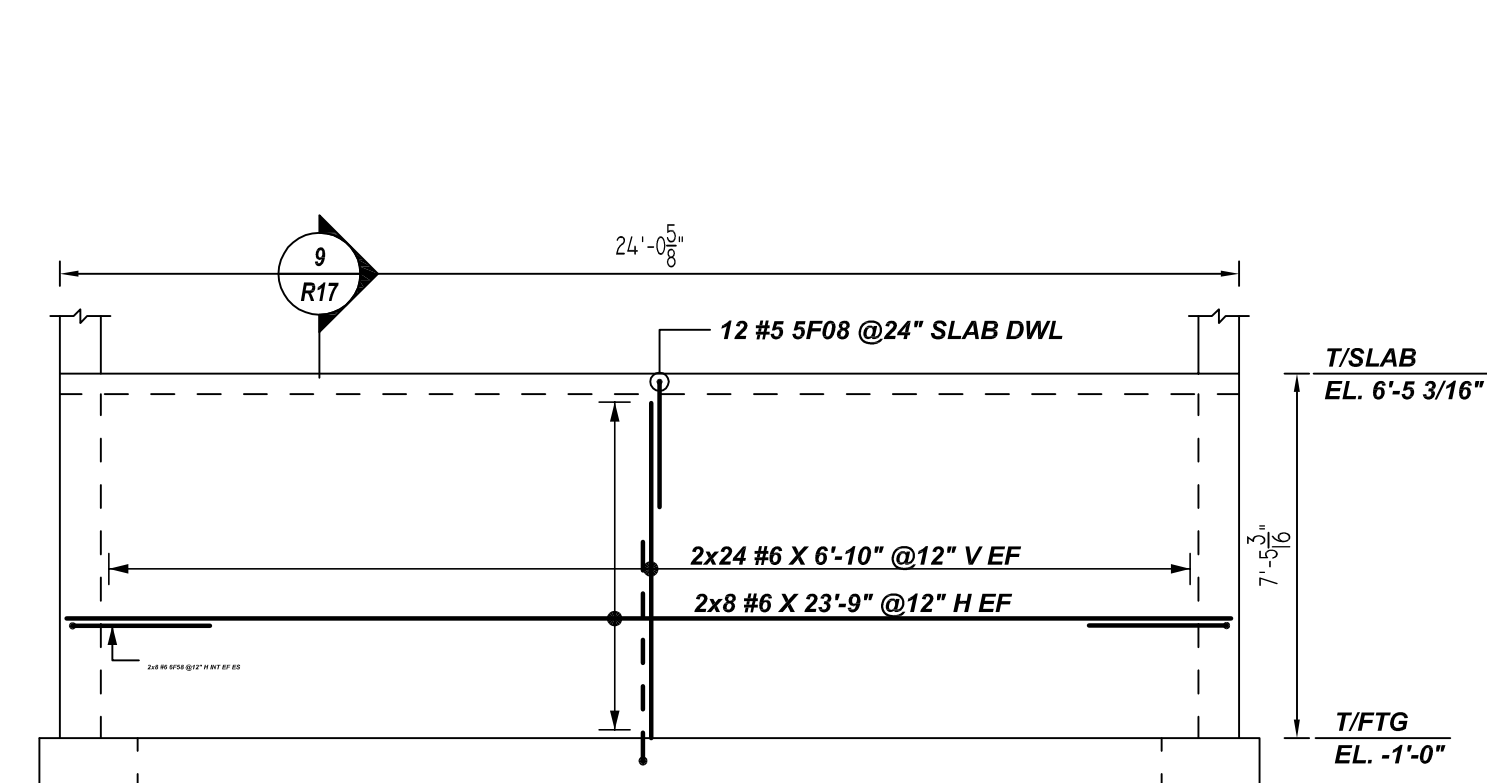
U ELEVATION
SCALE: 1/4" = 1'-0"
REF: 2/S201 & 1/S301 (DT.03/17/22)



W ELEVATION
SCALE: 1/4" = 1'-0"
REF: 6/S201 & 1/S301 (DT.03/17/22)

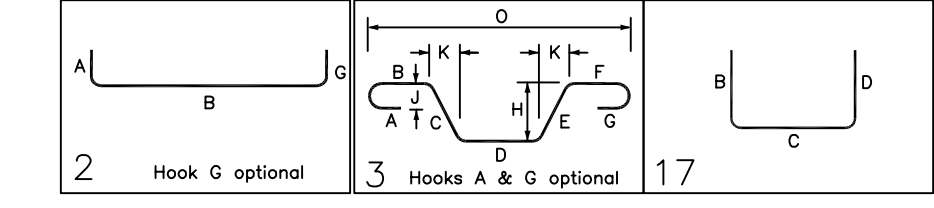


Y ELEVATION
SCALE: 1/4" = 1'-0"
REF: 6/S201 & 1/S301 (DT.03/17/22)



V ELEVATION
SCALE: 1/4" = 1'-0"
REF: 4/S201 (DT.03/17/22)

Bar Mark	Qty	Size	Total Length	Type	X	Y	Z	W	V	U	T	S	R	Q	P	O	N	M	L	K	J	I	H	G	F	E	D	C	B	A
5F02	4	#5	8'-6"	2	0'-10"	7'-8"																								
5F06	1	#5	8'-0"	3		4'-0"																								
5F07a	1	#5	9'-0"	1		9'-0"																								



LOCATION	MIN. COVER
WALL SIDE	2" CLR

**ALL BARS IN THIS DRAWING
ASTM A615 GRADE 60
BLACK UNCOATED**

FOUNDATION LAP SCHEDULE
4000 PSI (CLASS-B) CASE - 1
Per ACI:318 (12.2.2)

BAR#	LENGTHS	
	TOP	OTHERS
#3	2'-0"	1'-7"
#4	2'-8"	2'-1"
#5	3'-4"	2'-7"
#6	4'-0"	3'-1"
#7	5'-10"	4'-8"
#8	6'-8"	5'-2"

CMU LAP SCHEDULE
Per ACI:318 (12.2.2)

BAR#	LENGTHS	
	50 x BAR DIA	
#3	1'-7"	
#4	2'-1"	
#5	2'-7"	
#6	3'-2"	

REBAR GRADE 60 ASTM A-615

SPLICES USED		ABBREVIATIONS		BAR MARK SIZE EQUIVALENT	
CLASS B 4,000 psi UNO		ADD.	= Additional	Imperial	Soft Metric
TOP BARS	OTHER BARS	B.O.W.	= Bottom of wall	#3	#10
#3 -	#3 -	C.B.	= Corner Bars	#4	#13
#4 -	#4 -	DIAG.	= Diagonal	#5	#16
#5 -	#5 -	D.O.	= Door Opening	#6	#19
#6 -	#6 -	DWLS.	= Dowels	#7	#22
#7 -	#7 -	E.F.	= Each Face	#8	#25
#8 -	#8 -	E.S.	= Each Side	#9	#29
#9 -	#9 -	E.W.	= Each Way	#10	#32
#10 -	#10 -	FTG.	= Footing	#11	#36
#11 -	#11 -	F.F.	= Far Face		
#14 -	#14 -	HORIZ.	= Horizontal		
		I.F.	= Inside Face		
		INTERS.	= Intersection		
		L.W.	= long Way		
		N.F.	= Near Face		
		O.F.	= Outside Face		
		S.W.	= Short Way		
		T&B	= Top & Bottom		
		T.O.W.	= Top of Wall		
		Trans.	= Transverse		
		VERT.	= Vertical		

**LIBERTY PARK 48 UNITS
CONCRETE WALL REINFORCEMENT DETAILS
UNION CITY, NJ**

CUSTOMER: TORRES ATENO
DESIGNER: JT ENGINEERING

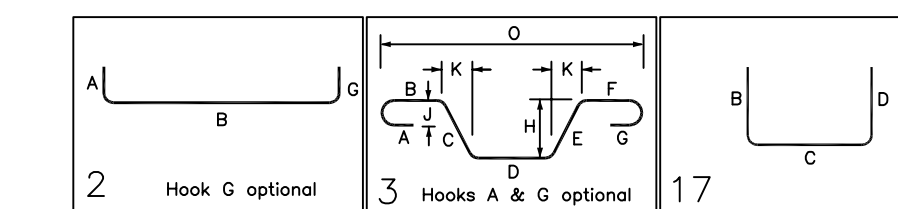
REV NO	DATE	APPROVAL	REV NO	DATE	SENT FOR	DRAWN BY	DATE	JOB NO	SHEET NO.
0	08.04.22					RTP/SS	08.04.22	M92270614P	R14

NOTICE

SHORTAGES, IMPROPER FABRICATION OR CLAIMS FOR ANY OTHER REASON MUST BE REPORTED TO THIS COMPANY WITHIN 10 DAYS FROM ORIGINAL DELIVERY. THIS COMPANY ALSO RESERVES THE RIGHT TO FIELD INSPECT MATERIALS PRIOR TO REPLACEMENT OR RECONDITIONING OF MATERIALS AND WILL NOT BE LIABLE FOR CHARGES FROM WORK DONE IN THE FIELD WITHOUT PRIOR AUTHORIZATION FROM THIS COMPANY.

REINFORCING STEEL PLACING DRAWING ONLY. USE IN CONJUNCTION WITH CONTRACT DRAWINGS & SPECIFICATIONS. ELEVATIONS & DIMENSIONS SHOWN ON DRAWING ARE FOR DETAILING PURPOSES ONLY AND SHOULD NOT BE USED FOR CONSTRUCTION UNLESS VERIFIED BY ENGINEER OR CONTRACTOR.

BENDING DETAILS									
Bar Mark	Qty	Size	Total Length	Type	X	Y	Z	W	V
S01	6	#5	2'-2 1/2"	2	0'-10"	1'-8 1/2"			
S02	10	#5	3'-5 1/2"	2	0'-10"	7'-4"			
S03	2	#5	6'-0 1/2"	3	2'-3"	3'-9 1/2"			
S04	2	#5	9'-4"	2	0'-10"	8'-6"			
S05	4	#5	2'-4 1/2"	2	0'-10"	1'-8 1/2"			
S08	12	#5	5'-2 1/2"	17	2'-7"	2'-7"			
S17	5	#5	13'-5 1/2"	17	0'-4"	12'-11"			
S011	188	#5	3'-5 1/2"	17	0'-9"	2'-6"			
S012	84	#5	5'-0 1/2"	17	1'-4"	2'-6"			
S013	8	#6	2'-8 1/2"	2	1'-0"	1'-8 1/2"			
S014	8	#6	10'-1 1/2"	2	1'-0"	9'-1 1/2"			
S015	4	#6	12'-10 1/2"	2	1'-0"	11'-10 1/2"			
S016	12	#6	14'-10 1/2"	2	1'-0"	13'-10 1/2"			
S017	16	#6	7'-4"	17	0'-6"	6'-10"			
S018	16	#6	9'-6"	17	0'-6"	9'-0"			
S019	16	#6	15'-6"	17	0'-6"	15'-0"			
S020	188	#6	7'-4"	17	3'-1"	4'-3"			
S021	8	#6	7'-1"	17	3'-1"	4'-0"			
S026	6	#6	6'-2 1/2"	17	3'-1"	3'-1 1/2"			
S035	4	#6	4'-10"	17	0'-6"	4'-4"			
S038	72	#6	3'-10"	17	1'-0"	2'-10"			
S065	6	#6	5'-7 1/2"	17	3'-1"	2'-6 1/2"			
S089	16	#6	1'-4"	17	0'-6"	0'-10"			
S070	16	#6	1'-10 1/2"	17	1'-0"	0'-10"			
S076	4	#6	15'-7"	17	0'-6"	15'-1"			
S077	4	#6	7'-10"	17	0'-6"	7'-4"			



TYPICAL REINFORCING BAR CLEARANCE TABLE	
LOCATION	MIN. COVER
WALL SIDE	2" CLR

**ALL BARS IN THIS DRAWING
ASTM A615 GRADE 60
BLACK UNCOATED**

FOUNDATION LAP SCHEDULE

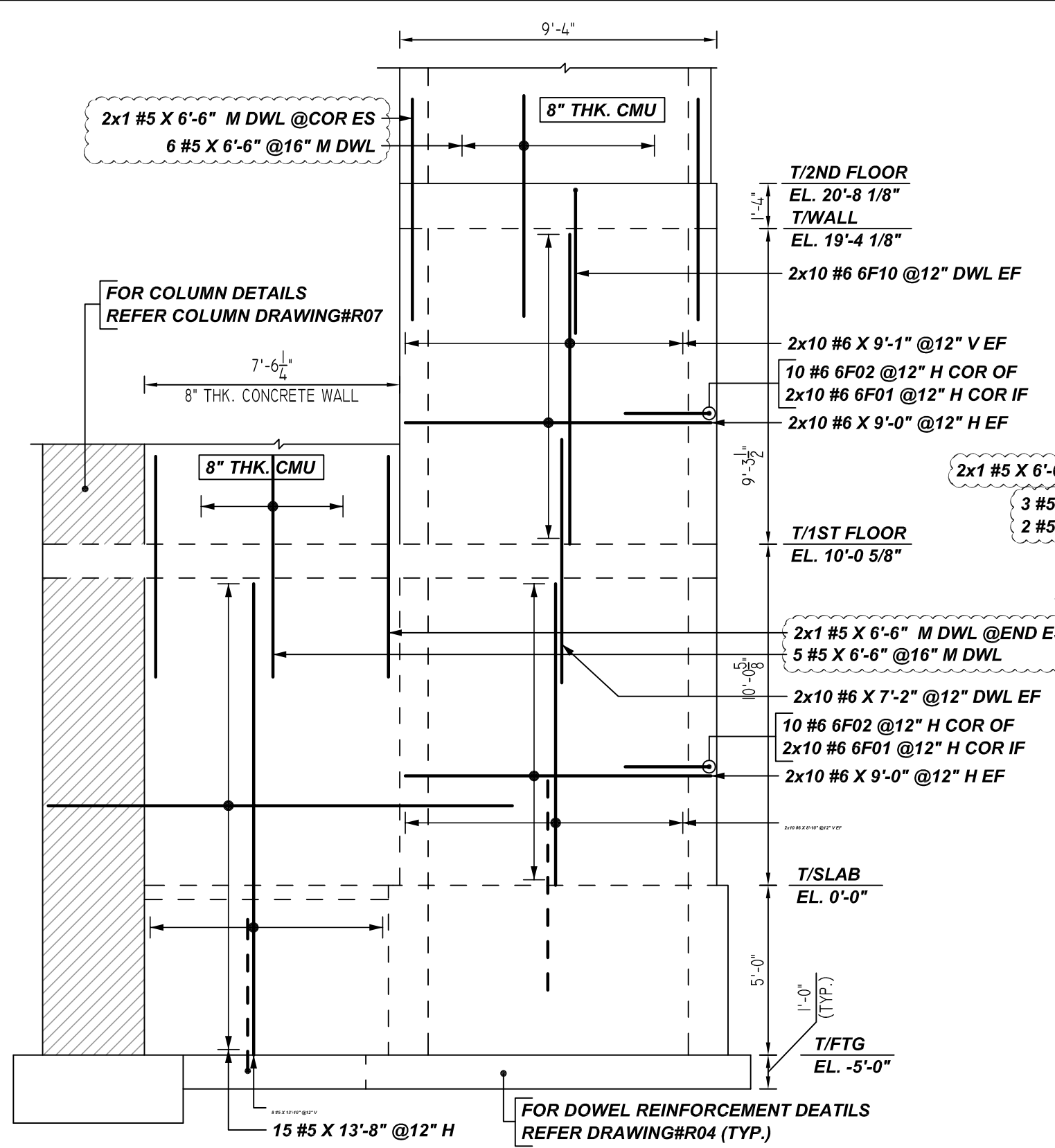
4000 PSI (CLASS-B) CASE - 1
Per ACI:318 (12.2.2)

BAR#	LENGTHS	
	TOP	OTHERS
#3	2'-0"	1'-7"
#4	2'-8"	2'-1"
#5	3'-4"	2'-7"
#6	4'-0"	3'-1"
#7	5'-10"	4'-6"
#8	6'-8"	5'-2"

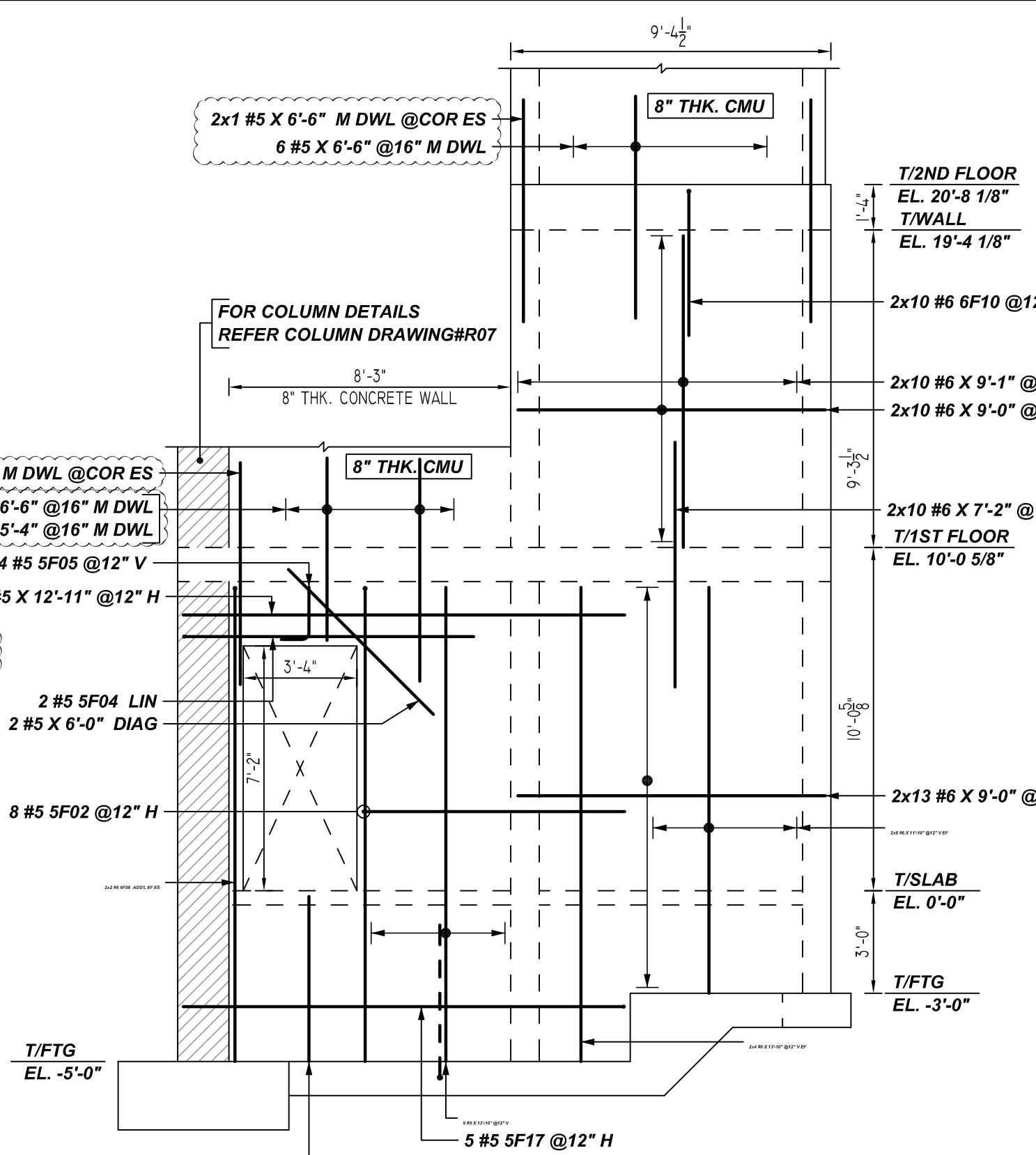
CMU LAP SCHEDULE

Per ACI:318 (12.2.2)

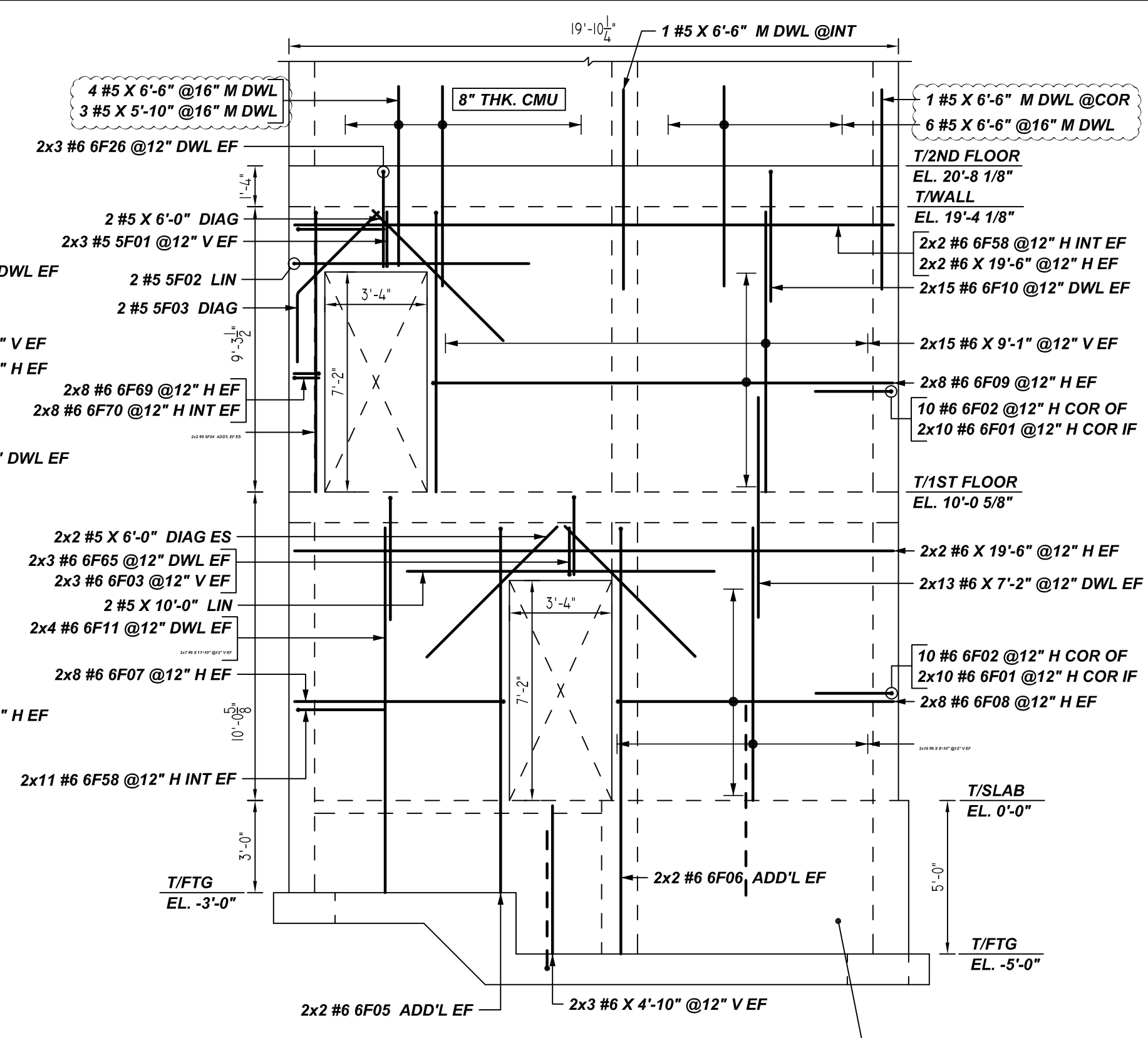
BAR#	LENGTHS	
	50 x BAR DIA	
#3	1'-7"	
#4	2'-1"	
#5	2'-7"	
#6	3'-2"	



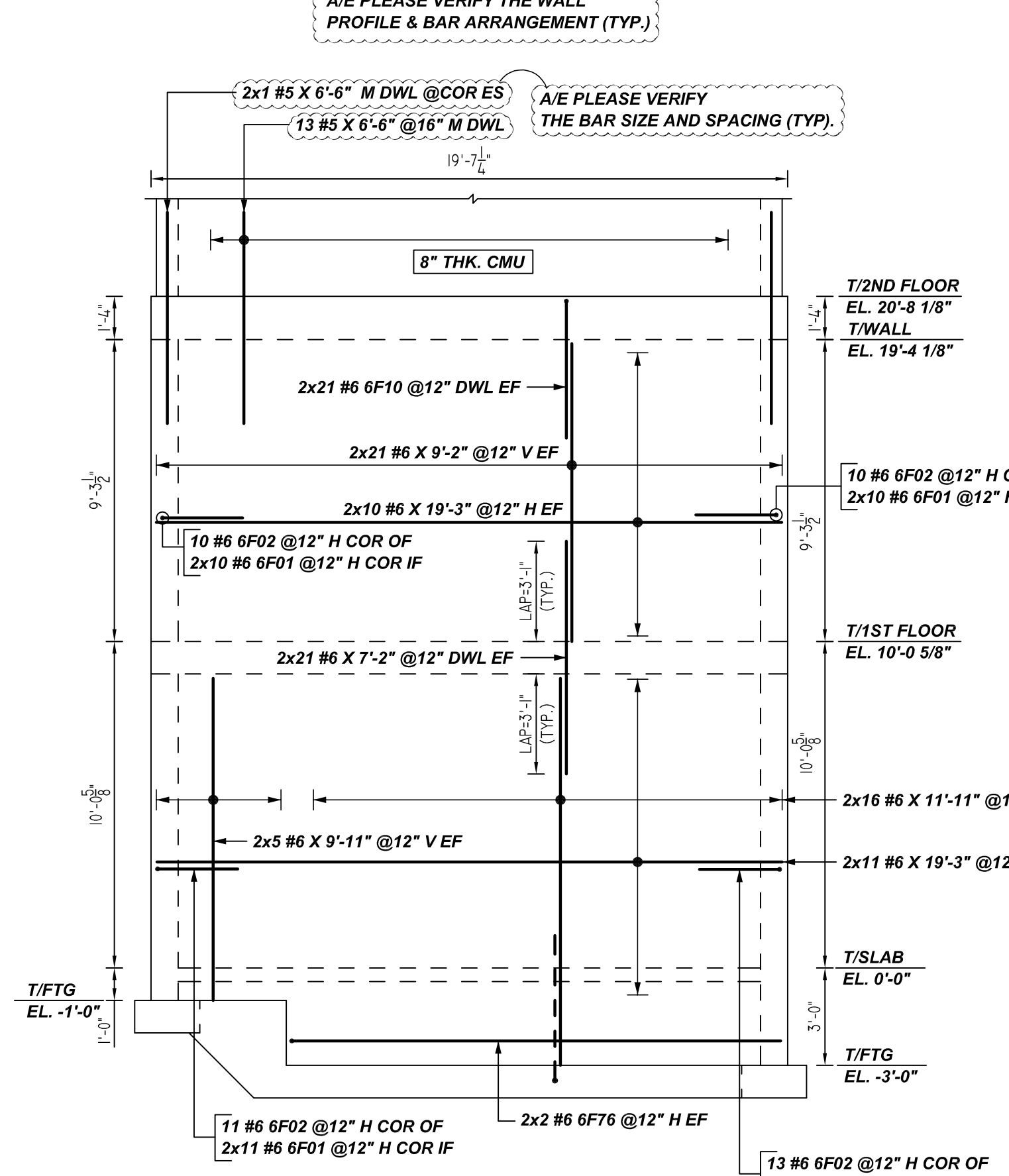
Z ELEVATION
SCALE: 1/4" = 1'-0"
REF: 6/S201 & 1/S301 (DT.03/17/22)
A/E PLEASE VERIFY THE WALL PROFILE & BAR ARRANGEMENT (TYP.)



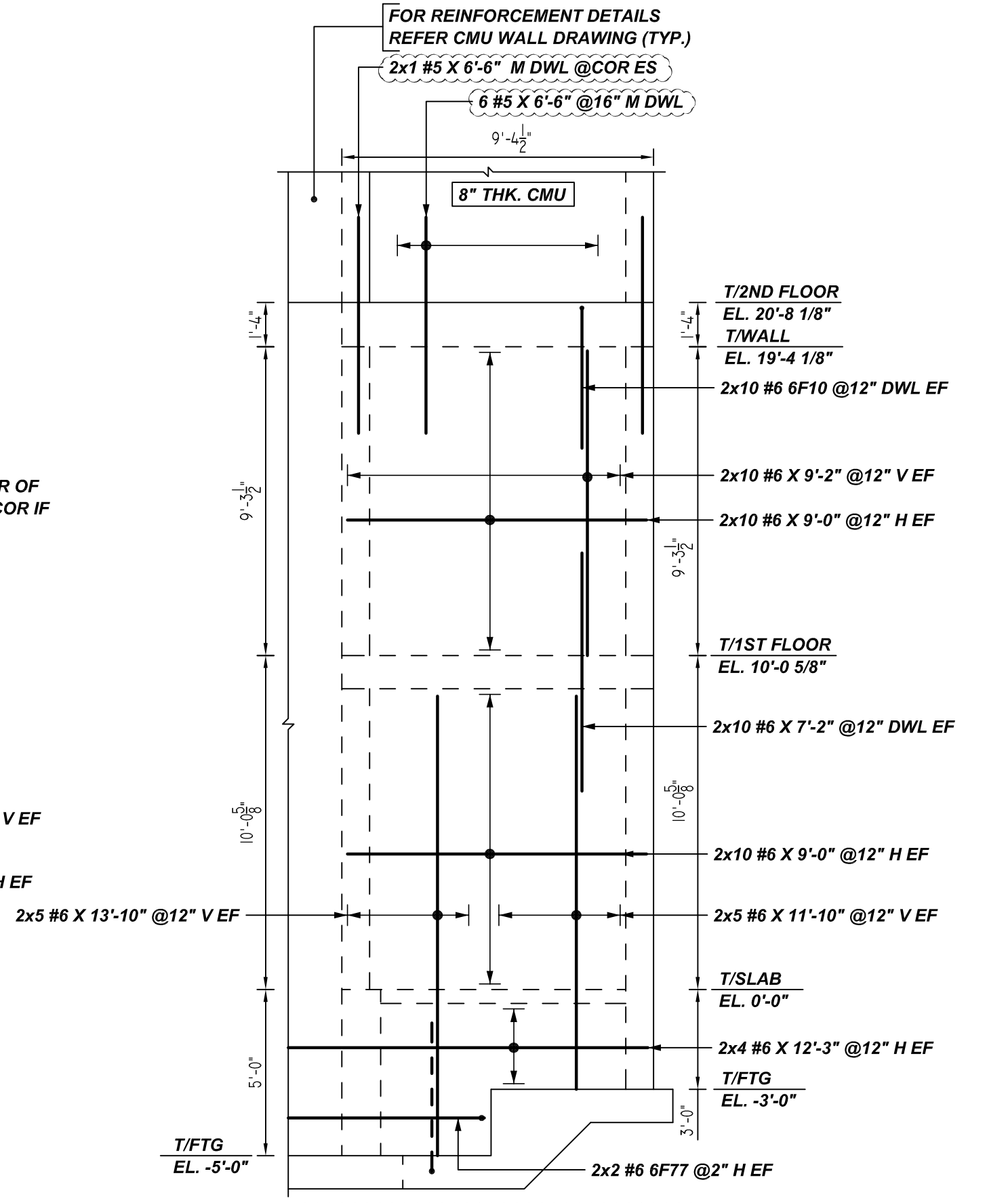
AA ELEVATION
SCALE: 1/4" = 1'-0"
REF: 6/S201 & 1/S301 (DT.03/17/22)



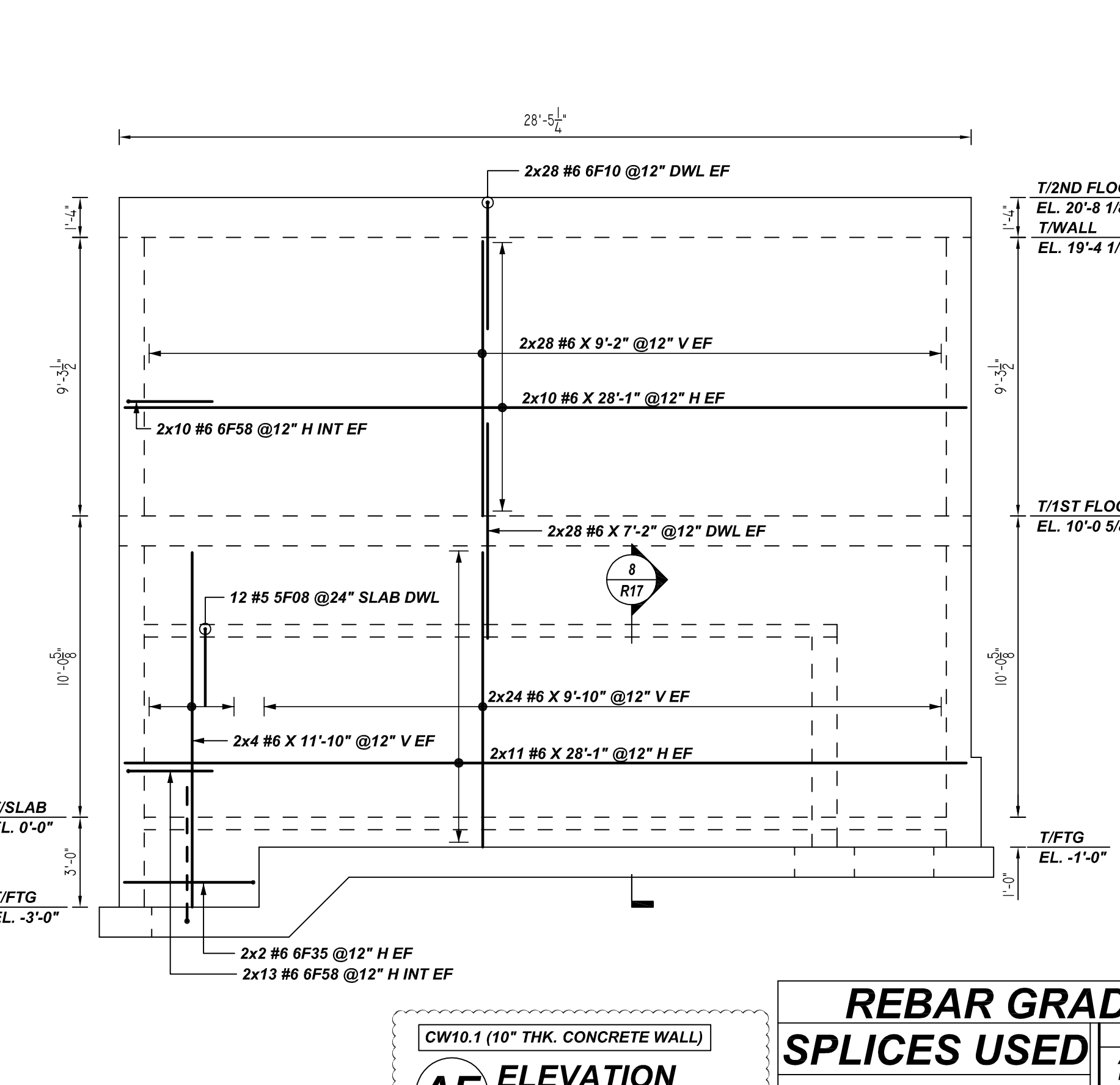
AB ELEVATION
SCALE: 1/4" = 1'-0"
REF: 6/S201 & 1/S301 (DT.03/17/22)



AC ELEVATION
SCALE: 1/4" = 1'-0"
REF: 6/S201 & 1/S301 (DT.03/17/22)



AD ELEVATION
SCALE: 1/4" = 1'-0"
REF: 6/S201 & 1/S301 (DT.03/17/22)



AE ELEVATION
SCALE: 1/4" = 1'-0"
REF: 6/S201 & 1/S301 (DT.03/17/22)

REBAR GRADE 60 ASTM A-615

SPLICES USED		ABBREVIATIONS		BAR MARK SIZE EQUIVALENT	
CLASS B 4,000 psi UNO				Imperial	Soft Metric
TOP BARS	OTHER BARS	ADD.	Additional	#3	#10
#3	#3	B.O.W.	Bottom of wall	#4	#13
#4	#4	C.B.	Corner Bars	#5	#16
#5	#5	DIAG.	Diagonal	#6	#19
#6	#6	D.O.	Door Opening	#7	#22
#7	#7	D.W.L.	Dowels	#8	#25
#8	#8	E.F.	Each Face	#9	#29
#9	#9	E.S.	Each Side	#10	#32
#10	#10	E.W.	Each Way	#11	#36
#11	#11	FTG.	Footing		
#14	#14	F.F.	Far Face		
		HORIZ.	Horizontal		
		I.F.	Inside Face		
		INTERS.	Intersection		
		L.W.	long Way		
		N.F.	Near Face		
		O.F.	Outside Face		
		S.W.	Short Way		
		T&B	Top & Bottom		
		T.O.W.	Top of Wall		
		Trans.	Transverse		
		VERT.	Vertical		

**LIBERTY PARK 48 UNITS
CONCRETE WALL REINFORCEMENT DETAILS
UNION CITY, NJ**

CUSTOMER: TORRES ATENO
DESIGNER: JT ENGINEERING

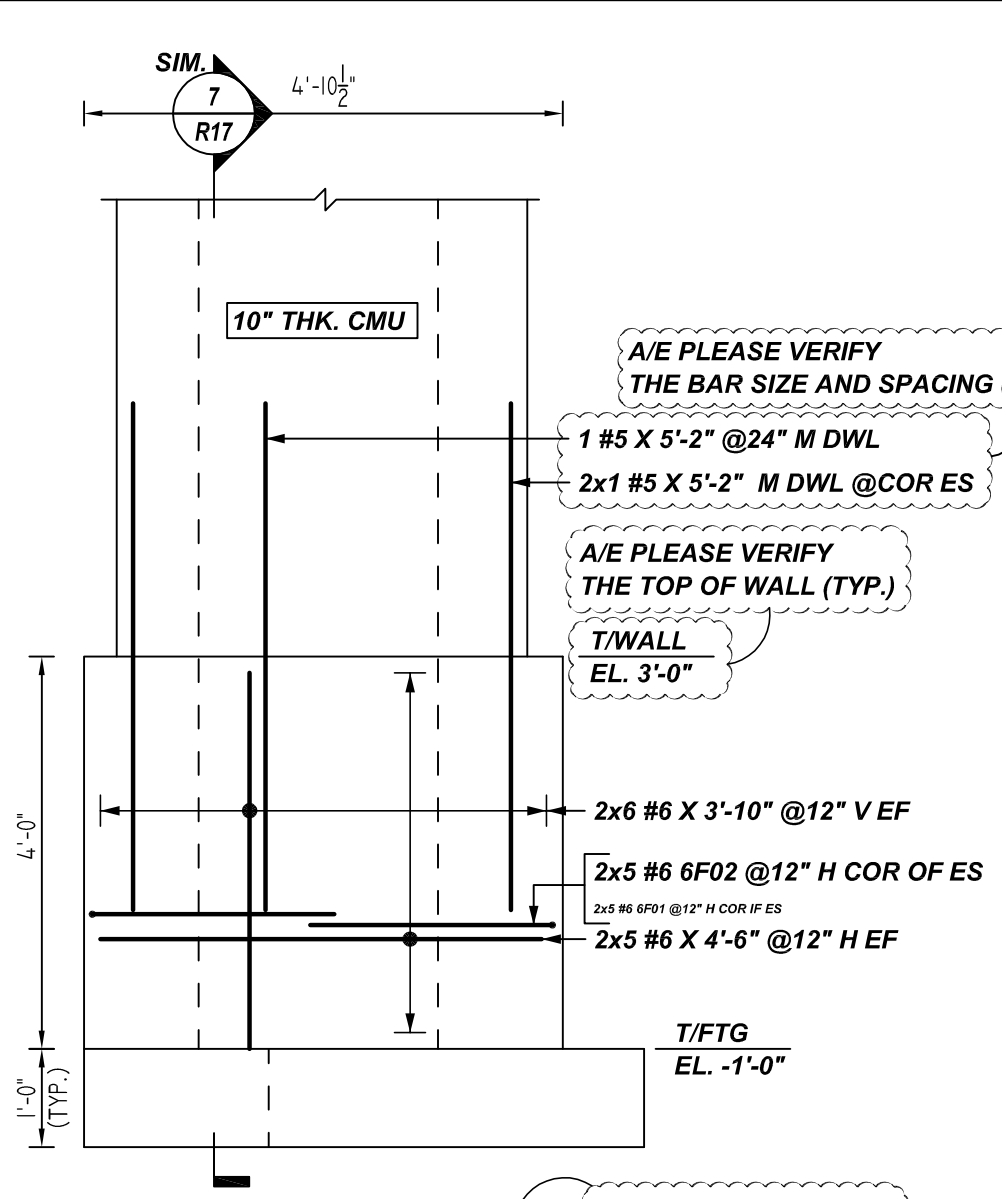
REV NO	DATE	APPROVAL	REV NO	DATE	SENT FOR
0	08.04.22				

DRAWN BY	DATE	JOB NO	SHEET NO.
RTP/SS	08.04.22	M92270614P	R15

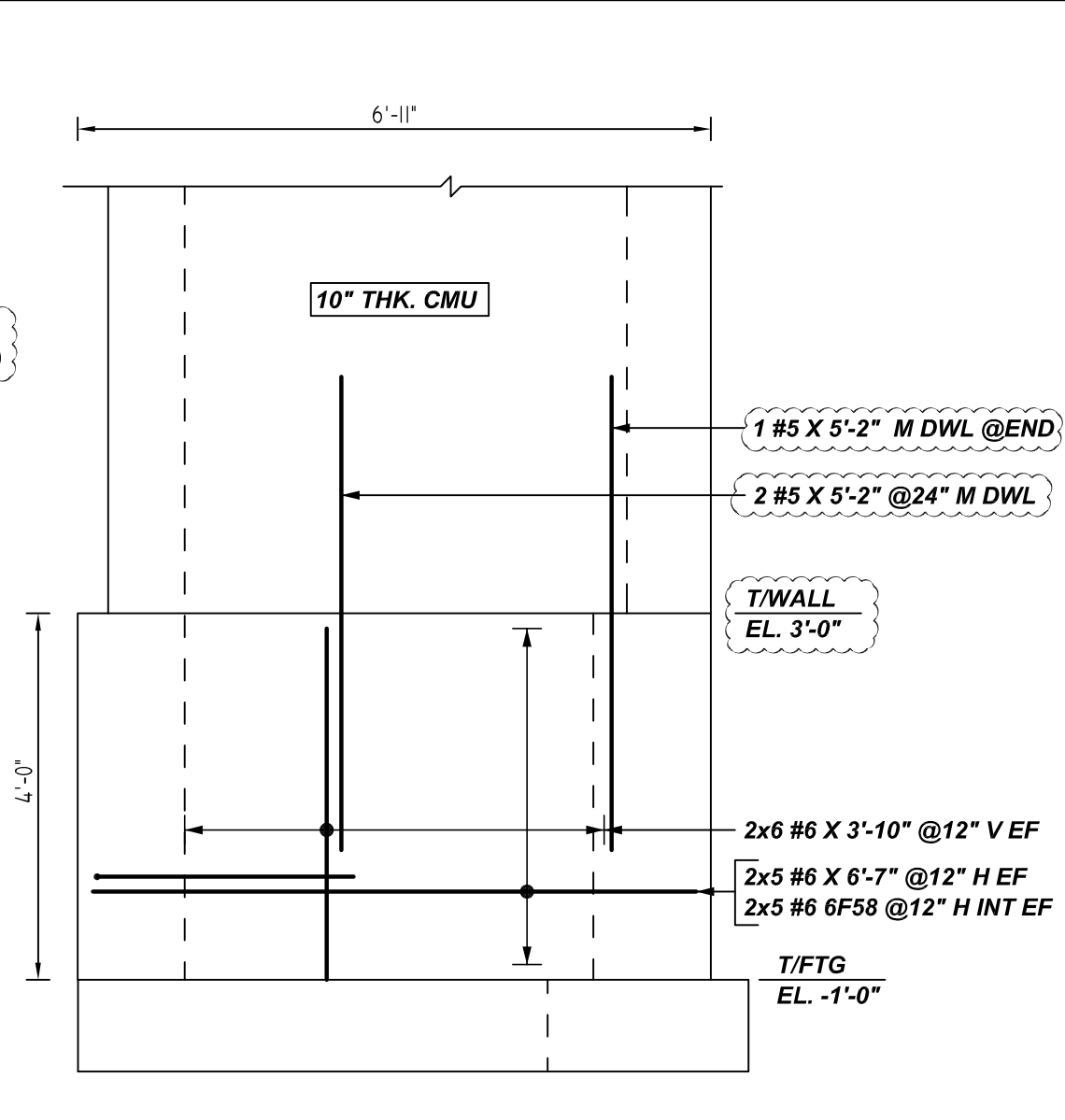
NOTICE

SHORTAGES, IMPROPER FABRICATION OR CLAIMS FOR ANY OTHER REASON MUST BE REPORTED TO THIS COMPANY WITHIN 10 DAYS FROM ORIGINAL DELIVERY. THIS COMPANY ALSO RESERVES THE RIGHT TO FIELD INSPECT MATERIALS PRIOR TO REPLACEMENT OR RECONDITIONING OF MATERIALS AND WILL NOT BE LIABLE FOR CHARGES FROM WORK DONE IN THE FIELD WITHOUT PRIOR AUTHORIZATION FROM THIS COMPANY.

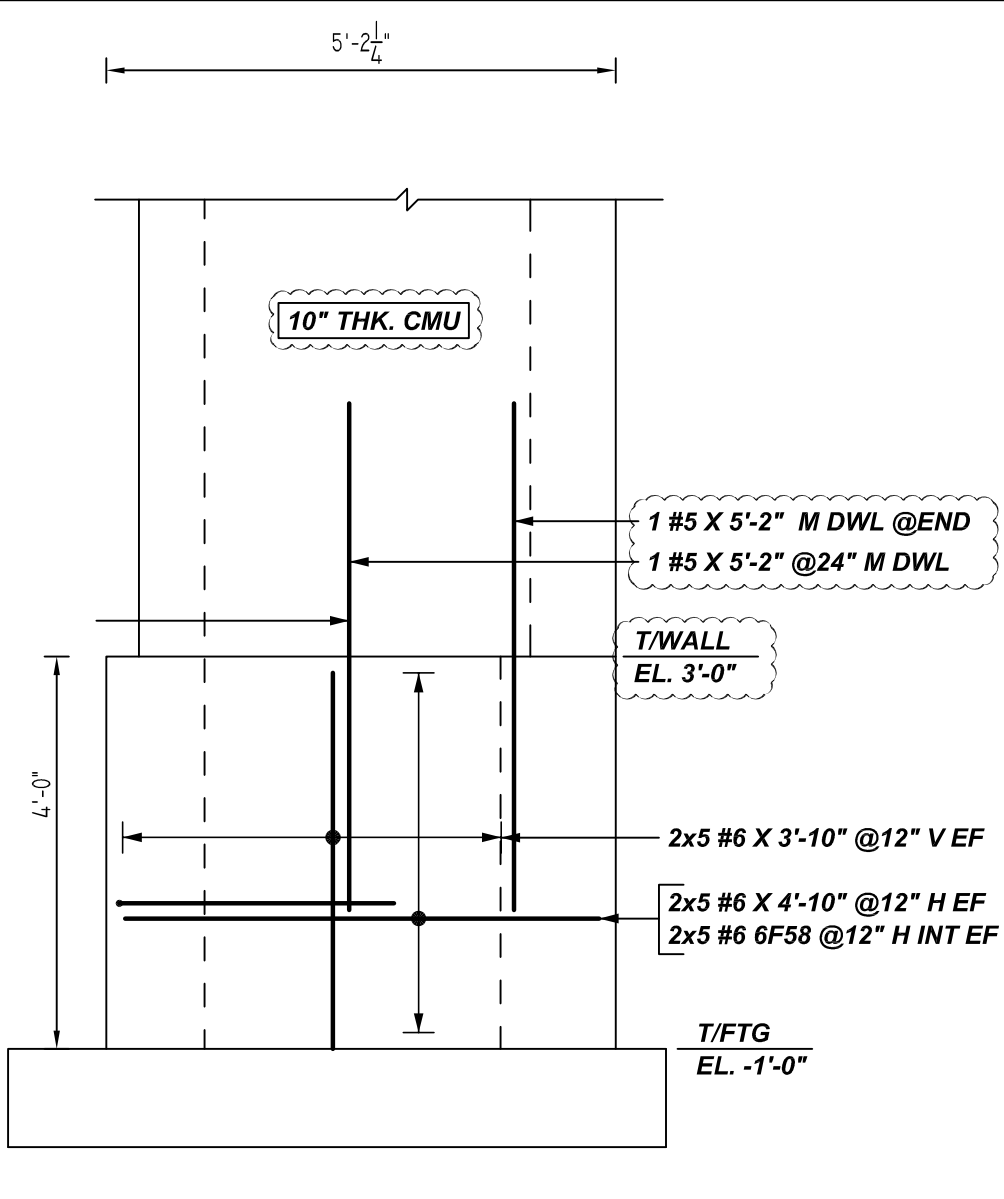
REINFORCING STEEL PLACING DRAWING ONLY. USE IN CONJUNCTION WITH CONTRACT DRAWINGS & SPECIFICATIONS. ELEVATIONS & DIMENSIONS SHOWN ON DRAWING ARE FOR DETAILING PURPOSES ONLY AND SHOULD NOT BE USED FOR CONSTRUCTION UNLESS VERIFIED BY ENGINEER OR CONTRACTOR.



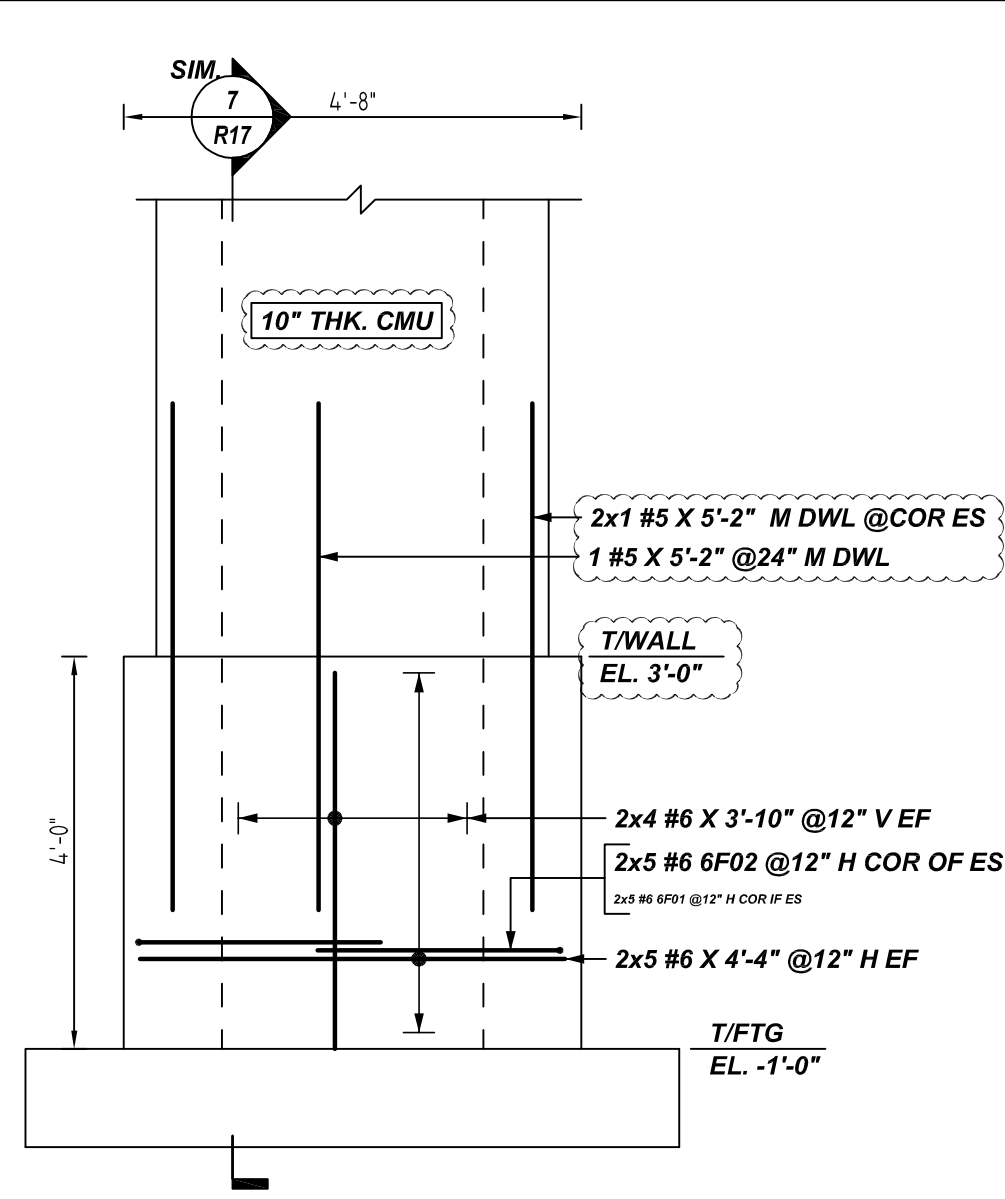
AF ELEVATION
SCALE: 1/2" = 1'-0"
REF: 5/S201 (DT.03/17/22)
A/E PLEASE VERIFY THE WALL THICK (TYP.)
A/E PLEASE VERIFY THE TOP OF WALL (TYP.)
T/WALL EL. 3'-0"
T/FTG EL. -1'-0"
CW14.1 (14" THK. CONCRETE WALL)
A/E PLEASE VERIFY THE WALL PROFILE & BAR ARRANGEMENT (TYP.)



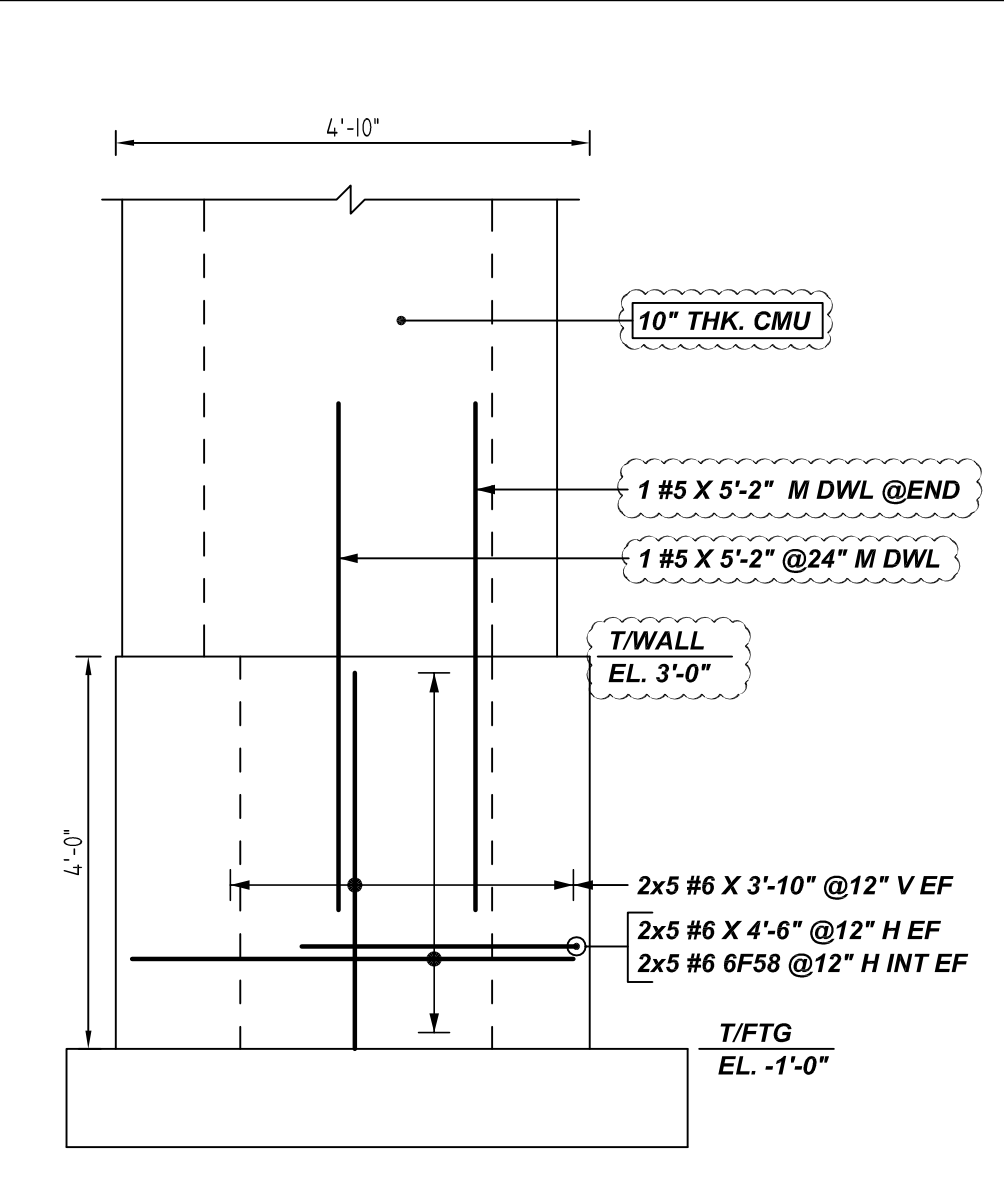
AG ELEVATION
SCALE: 1/2" = 1'-0"
REF: 5/S201 (DT.03/17/22)
T/WALL EL. 3'-0"
T/FTG EL. -1'-0"
CW14.1 (14" THK. CONCRETE WALL)



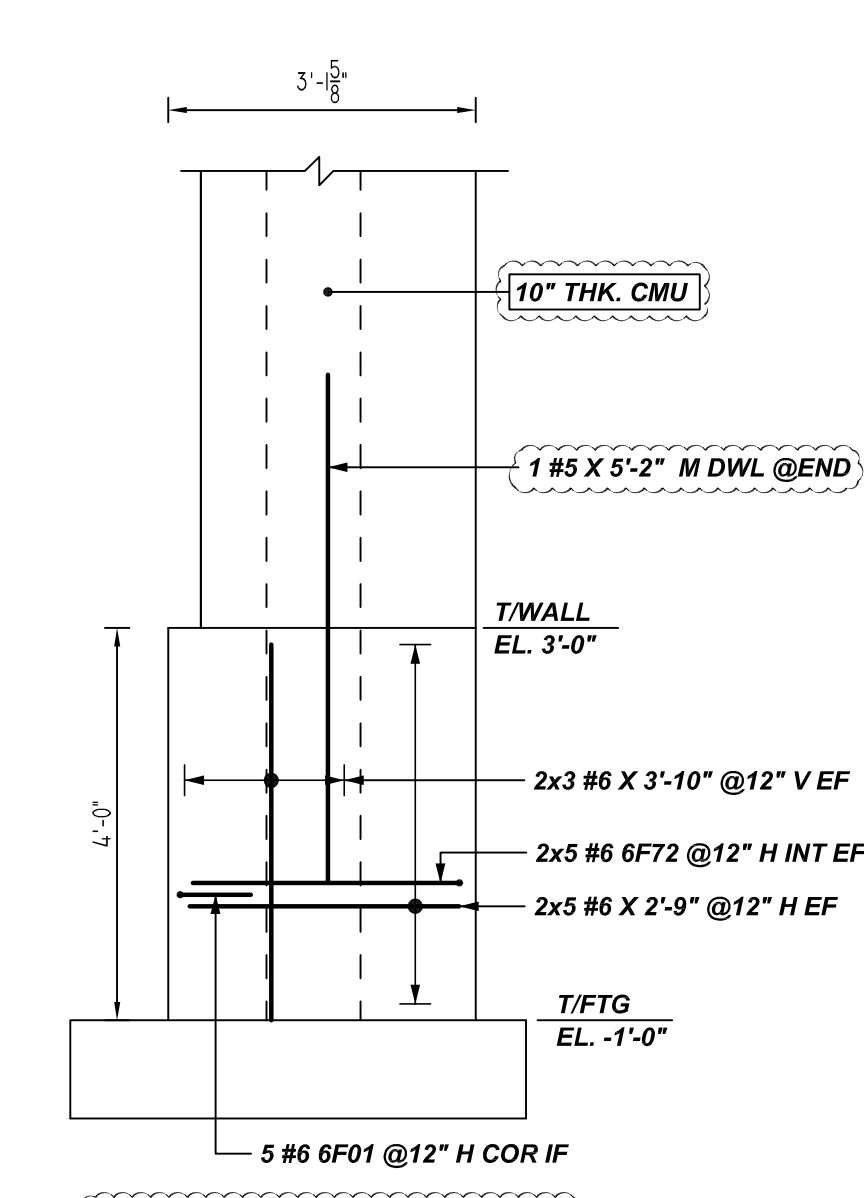
AH ELEVATION
SCALE: 1/2" = 1'-0"
REF: 5/S201 (DT.03/17/22)
T/WALL EL. 3'-0"
T/FTG EL. -1'-0"
CW14.1 (14" THK. CONCRETE WALL)



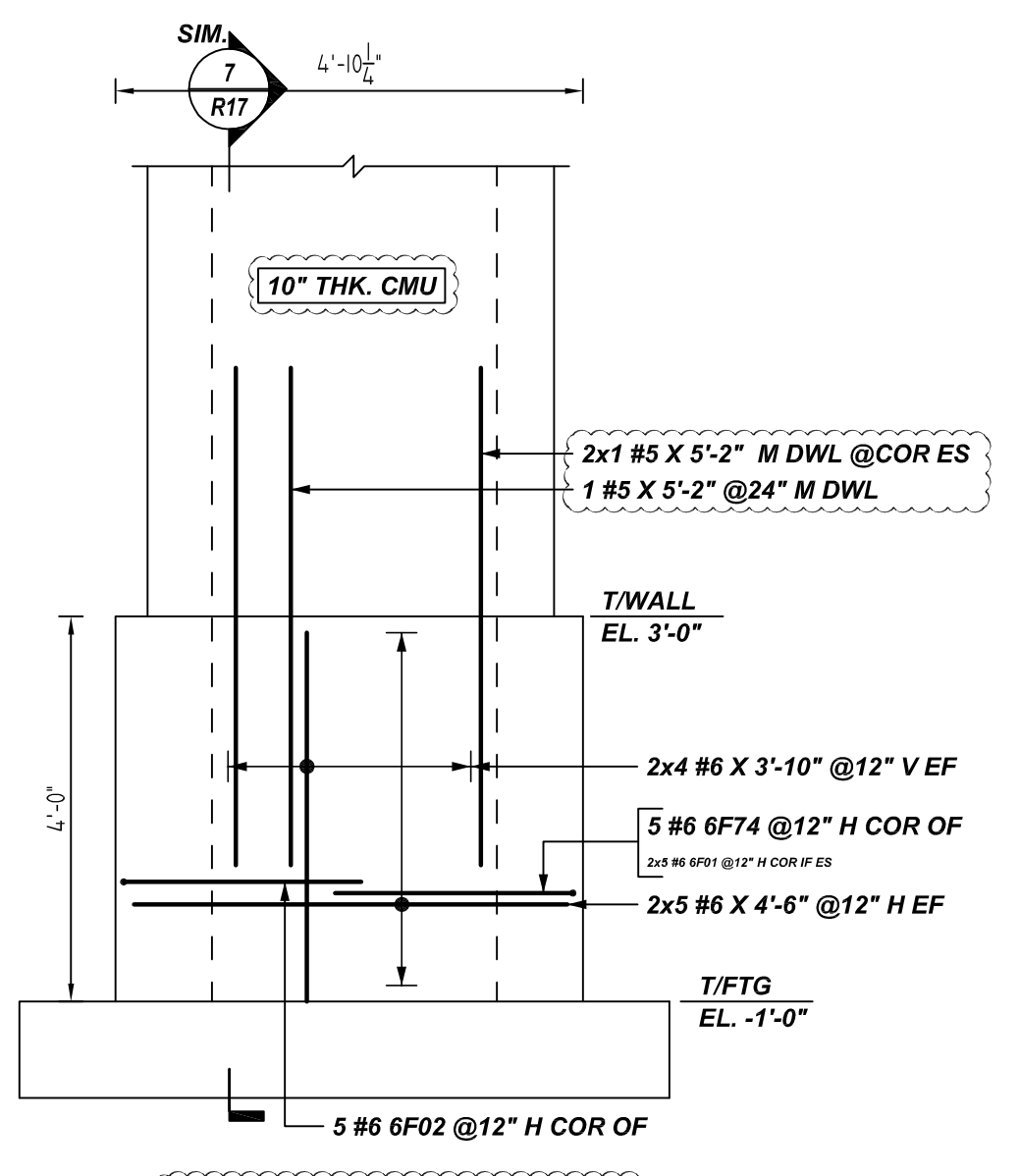
AJ ELEVATION
SCALE: 1/2" = 1'-0"
REF: 5/S201 (DT.03/17/22)
T/WALL EL. 3'-0"
T/FTG EL. -1'-0"
CW14.1 (14" THK. CONCRETE WALL)



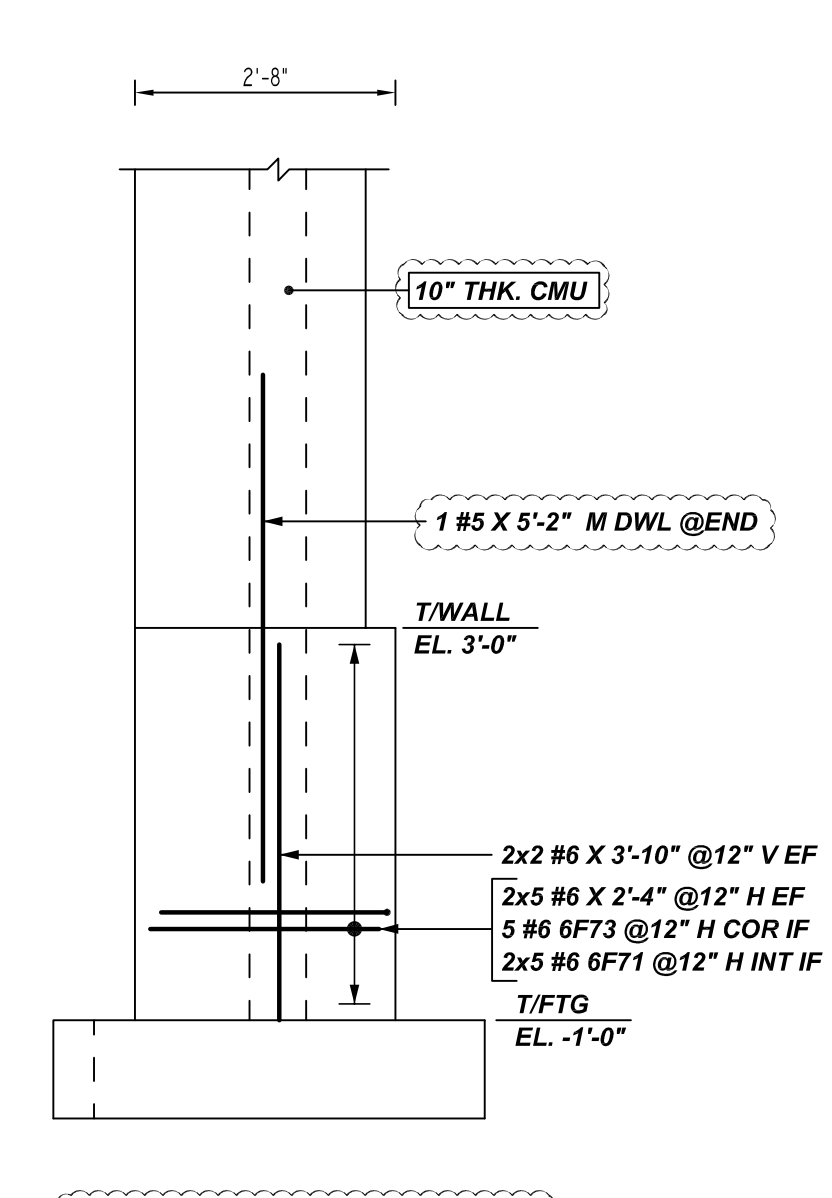
AK ELEVATION
SCALE: 1/2" = 1'-0"
REF: 5/S201 (DT.03/17/22)
T/WALL EL. 3'-0"
T/FTG EL. -1'-0"
CW14.1 (14" THK. CONCRETE WALL)



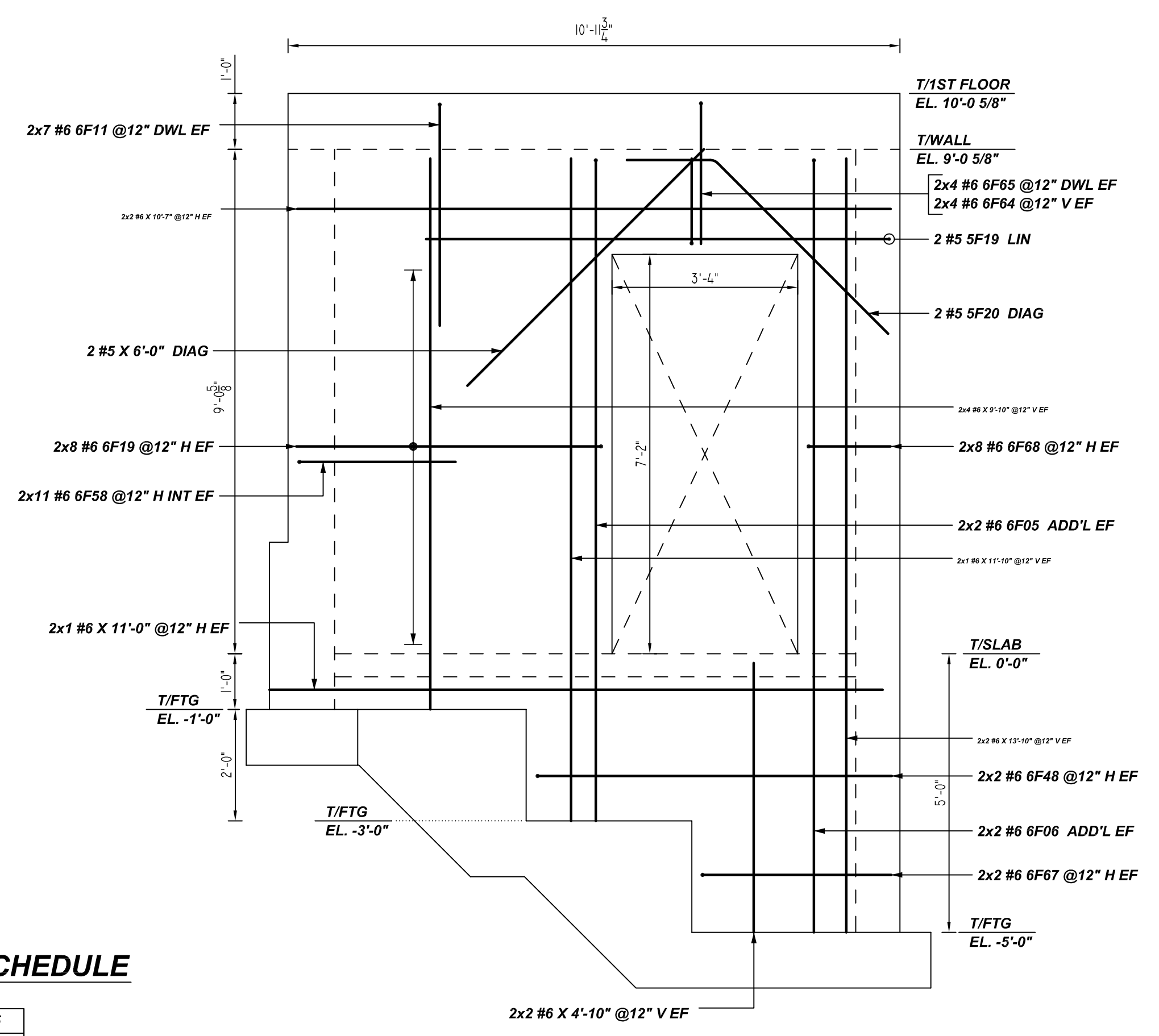
AL ELEVATION
SCALE: 1/2" = 1'-0"
REF: 5/S201 (DT.03/17/22)
T/WALL EL. 3'-0"
T/FTG EL. -1'-0"
CW14.1 (14" THK. CONCRETE WALL)



AM ELEVATION
SCALE: 1/2" = 1'-0"
REF: 5/S201 (DT.03/17/22)
T/WALL EL. 3'-0"
T/FTG EL. -1'-0"
CW14.1 (14" THK. CONCRETE WALL)



AN ELEVATION
SCALE: 1/2" = 1'-0"
REF: 5/S201 (DT.03/17/22)
T/WALL EL. 3'-0"
T/FTG EL. -1'-0"
CW14.1 (14" THK. CONCRETE WALL)



AP ELEVATION
SCALE: 1/2" = 1'-0"
REF: 2/S201 & 1/S301 (DT.03/17/22)
T/WALL EL. 9'-0 5/8"
T/SLAB EL. 0'-0"
T/FTG EL. -3'-0"

Release Number: R16

Bar Mark	Qty	Size	Total Length	Type	X	Y	Z	W	V	U	T	S	R	Q	P	O	N	M	L	K	J	I	H	G	F	E	D	C	B	A
5F19	2	#5	9'-2"	2	0'-10"	6'-4"																								
5F20	2	#5	6'-0"	3		1'-7"	4'-5"																							
6F01	80	#6	3'-5"	17		2'-8"	2'-6"																							
6F02	28	#6	5'-0"	17		2'-8"	2'-6"																							
6F05	4	#6	12'-10 1/2"	2	1'-0"	11'-10 1/2"																								
6F06	4	#6	14'-10 1/2"	2	1'-0"	13'-10 1/2"																								
6F11	14	#6	7'-1"	17		3'-1"	4'-0"																							
6F19	16	#6	6'-0"	17		0'-8"	5'-6"																							
6F48	4	#6	6'-10 1/2"	17		0'-8"	6'-4 1/2"																							
6F58	52	#6	3'-10"	17	1'-0"	7'-10"																								
6F64	8	#6	2'-3 1/2"	17		0'-8"	1'-6 1/2"																							
6F65	8	#6	5'-2 1/2"	17		3'-1"	2'-4 1/2"																							
6F67	4	#6	3'-11"	17		0'-8"	3'-5"																							
6F68	16	#6	2'-0"	17		0'-8"	1'-6"																							
6F71	10	#6	3'-4"	17		1'-0"	2'-4"																							
6F72	10	#6	3'-9"	17		1'-0"	2'-9"																							
6F73	5	#6	3'-1"	17		0'-9"	2'-4"																							
6F74	5	#6	4'-10"	17		2'-8"	2'-4"																							

FOUNDATION LAP SCHEDULE

4000 PSI (CLASS-B) CASE - 1
Per ACI :318 (12.2.2)

BAR#	LENGTHS	
	TOP	OTHERS
#3	2'-0"	1'-7"
#4	2'-8"	2'-1"
#5	3'-4"	2'-7"
#6	4'-0"	3'-1"
#7	5'-10"	4'-6"
#8	6'-8"	5'-2"

CMU LAP SCHEDULE

Per ACI :318 (12.2.2)

BAR#	LENGTHS	
	50 x BAR DIA	
#3	1'-7"	
#4	2'-1"	
#5	2'-7"	
#6	3'-2"	

TYPICAL REINFORCING BAR CLEARANCE TABLE

LOCATION	MIN. COVER
WALL SIDE	2" CLR

**ALL BARS IN THIS DRAWING
ASTM A615 GRADE 60
BLACK UNCOATED**

REBAR GRADE 60 ASTM A-615

SPLICES USED		ABBREVIATIONS		BAR MARK SIZE EQUIVALENT	
CLASS B 4,000 psi UNO				Imperial	Soft Metric
TOP BARS	OTHER BARS	ADD.	Additional	#3	#10
#3	#3	B.O.W.	Bottom of wall	#4	#13
#4	#4	C.B.	Corner Bars	#5	#16
#5	#5	DIAG.	Diagonal	#6	#19
#6	#6	D.O.	Door Opening	#7	#22
#7	#7	DWLS.	Dowels	#8	#25
#8	#8	E.F.	Each Face	#9	#29
#9	#9	E.S.	Each Side	#10	#32
#10	#10	E.W.	Each Way	#11	#36
#11	#11	FTG.	Footing		
#12	#12	F.F.	Far Face		
		HORIZ.	Horizontal		
		I.F.	Inside Face		
		INTERS.	Intersection		
		L.W.	long Way		
		N.F.	Near Face		
		O.F.	Outside Face		
		S.W.	Short Way		
		T&B	Top & Bottom		
		T.O.W.	Top of Wall		
		TRANS.	Transverse		
		VERT.	Vertical		

LIBERTY PARK 48 UNITS
CONCRETE WALL REINFORCEMENT DETAILS
UNION CITY, NJ

CUSTOMER: TORRES ATENO
DESIGNER: JT ENGINEERING

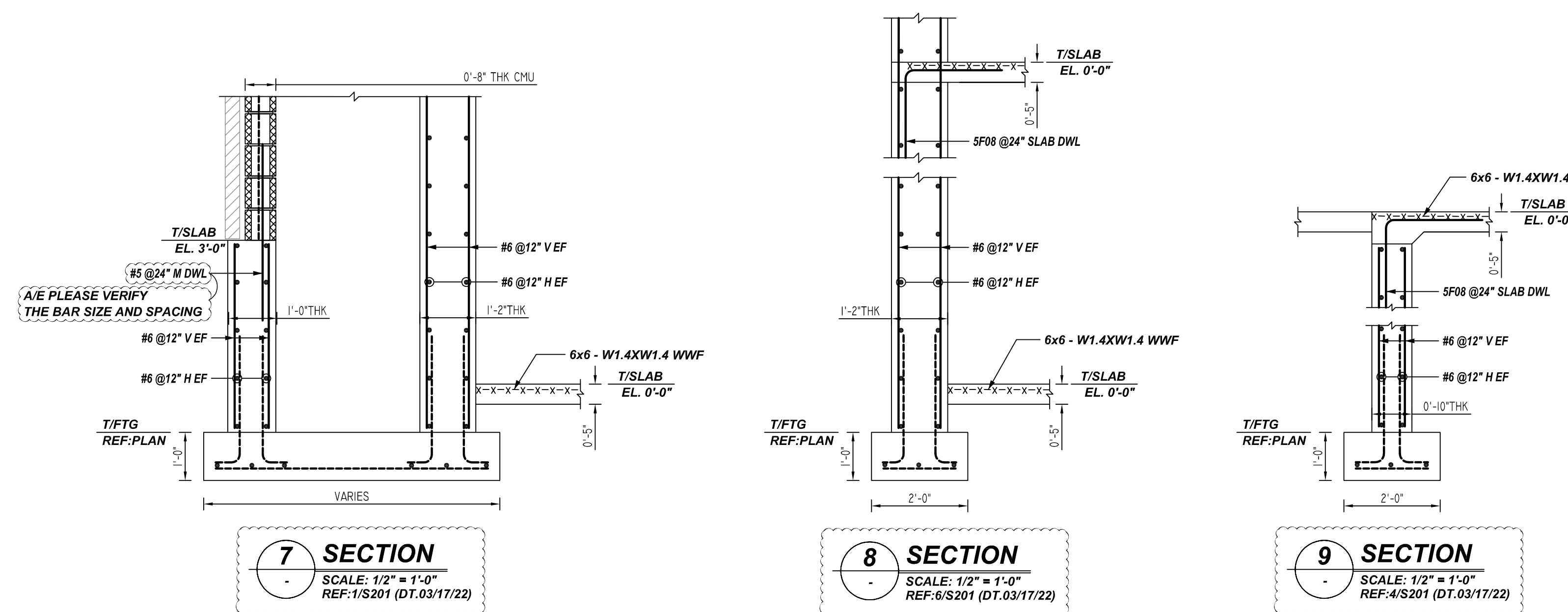
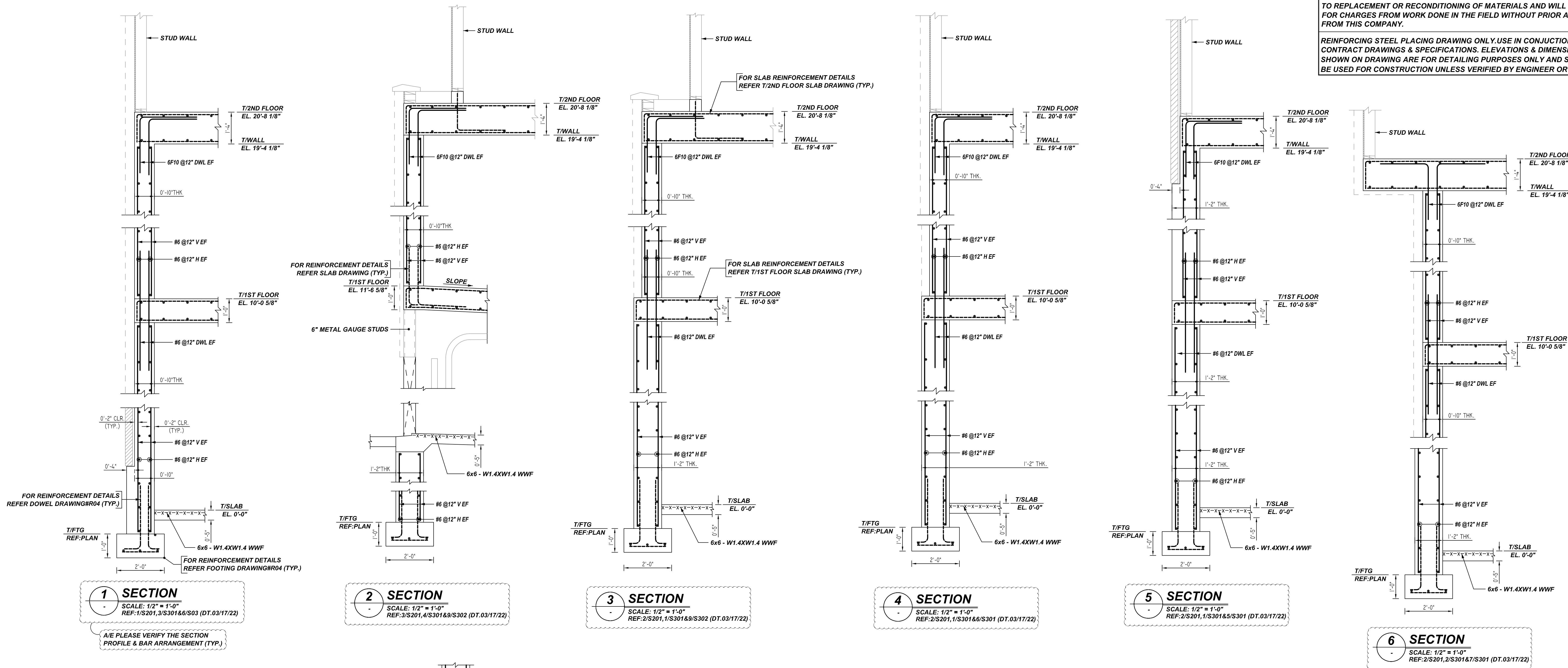
REV NO	DATE	APPROVAL	REV NO	DATE	SENT FOR
0	08.04.22				

DRAWN BY	DATE	JOB NO	SHEET NO.
RTP/SS	08.04.22	M92270614P	R16

NOTICE

SHORTAGES, IMPROPER FABRICATION OR CLAIMS FOR ANY OTHER REASON MUST BE REPORTED TO THIS COMPANY WITHIN 10 DAYS FROM ORIGINAL DELIVERY. THIS COMPANY ALSO RESERVES THE RIGHT TO FIELD INSPECT MATERIALS PRIOR TO REPLACEMENT OR RECONDITIONING OF MATERIALS AND WILL NOT BE LIABLE FOR CHARGES FROM WORK DONE IN THE FIELD WITHOUT PRIOR AUTHORIZATION FROM THIS COMPANY.

REINFORCING STEEL PLACING DRAWING ONLY. USE IN CONJUNCTION WITH CONTRACT DRAWINGS & SPECIFICATIONS. ELEVATIONS & DIMENSIONS SHOWN ON DRAWING ARE FOR DETAILING PURPOSES ONLY AND SHOULD NOT BE USED FOR CONSTRUCTION UNLESS VERIFIED BY ENGINEER OR CONTRACTOR.



REBAR GRADE 60 ASTM A-615

SPLICES USED		ABBREVIATIONS		BAR MARK SIZE EQUIVALENT	
CLASS B 4,000 psi UNO				Imperial	Soft Metric
TOP BARS	OTHER BARS	ADD.	Additional	#3	#10
#3	#3	B.O.W.	Bottom of wall	#4	#13
#4	#4	C.B.	Corner Bars	#5	#16
#5	#5	DIAG.	Diagonal	#6	#19
#6	#6	D.O.	Door Opening	#7	#22
#7	#7	D.WLS.	Dowels	#8	#25
#8	#8	E.F.	Each Face	#9	#29
#9	#9	E.S.	Each Side	#10	#32
#10	#10	E.W.	Each Way	#11	#36
#11	#11	FTG.	Footing		
#12	#12	F.F.	Far Face		
		HORIZ.	Horizontal		
		I.F.	Inside Face		
		INTERSECT.	Intersection		
		L.W.	long Way		
		N.F.	Near Face		
		O.F.	Outside Face		
		S.W.	Short Way		
		T&B	Top & Bottom		
		T.O.W.	Top of Wall		
		Trans.	Transverse		
		VERT.	Vertical		

LIBERTY PARK 48 UNITS
CONCRETE WALL REINFORCEMENT DETAILS
UNION CITY, NJ

CUSTOMER: TORRES ATENO
DESIGNER: JT ENGINEERING

0	08.04.22	APPROVAL			
REV NO	DATE	SENT FOR	REV NO	DATE	SENT FOR

DRAWN BY	DATE	JOB NO	SHEET NO.
RTP/SS	08.04.22	M92270614P	R17