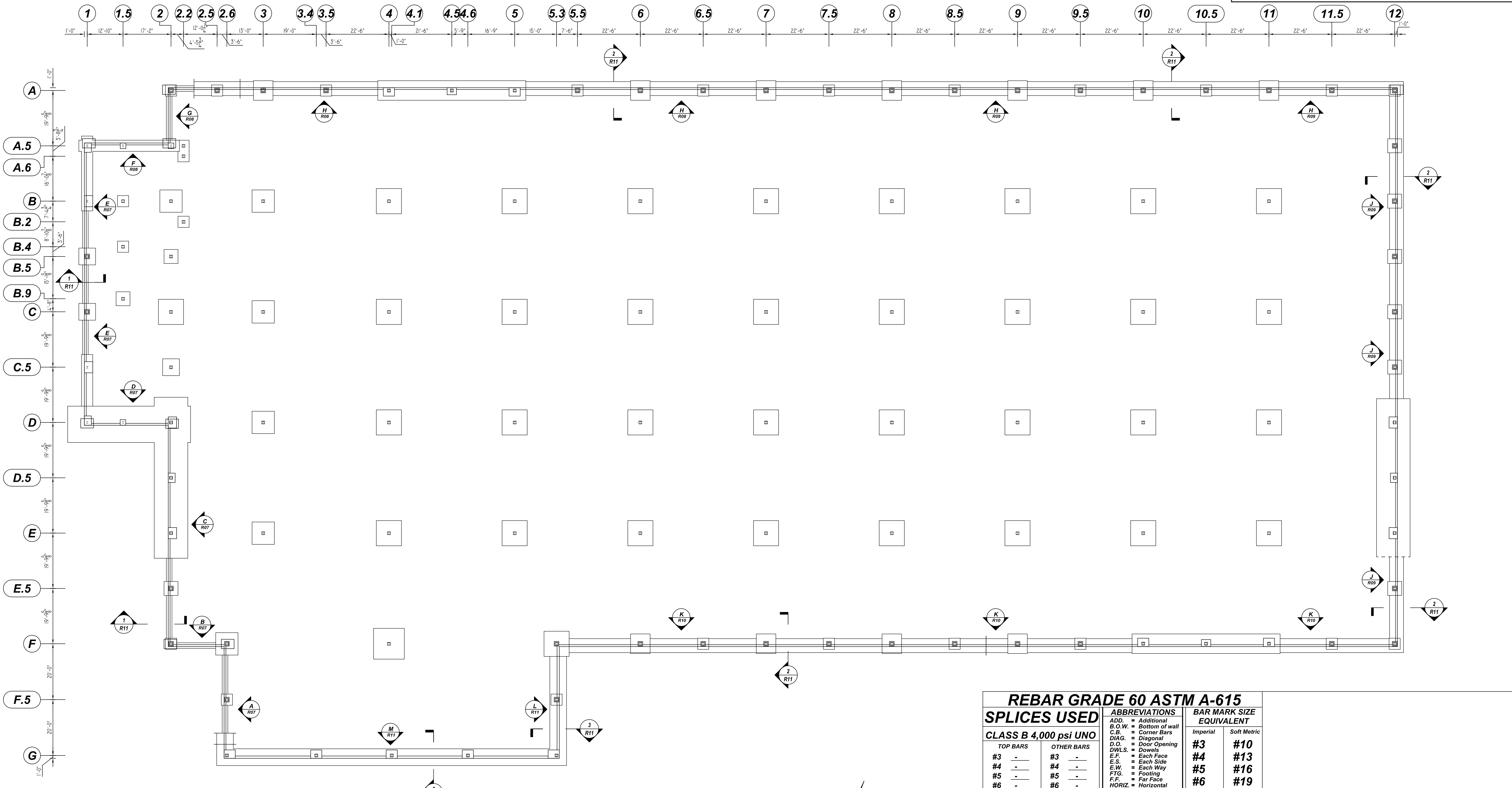


**NOTICE**  
 SHORTAGES, IMPROPER FABRICATION OR CLAIMS FOR ANY OTHER REASON MUST BE REPORTED TO THIS COMPANY WITHIN 10 DAYS FROM ORIGINAL DELIVERY. THIS COMPANY ALSO RESERVES THE RIGHT TO FIELD INSPECT MATERIALS PRIOR TO REPLACEMENT OR RECONDITIONING OF MATERIALS AND WILL NOT BE LIABLE FOR CHARGES FROM WORK DONE IN THE FIELD WITHOUT PRIOR AUTHORIZATION FROM THIS COMPANY.

REINFORCING STEEL PLACING DRAWING ONLY. USE IN CONJUNCTION WITH CONTRACT DRAWINGS & SPECIFICATIONS. ELEVATIONS & DIMENSIONS SHOWN ON DRAWING ARE FOR DETAILING PURPOSES ONLY AND SHOULD NOT BE USED FOR CONSTRUCTION UNLESS VERIFIED BY ENGINEER OR CONTRACTOR.



**CONCRETE WALL LAYOUT**  
 SCALE: 1/16" = 1'-0"  
 REF: S101 (DT.06/24/22)

REBAR GRADE 60 ASTM A-615			
SPLICES USED		ABBREVIATIONS	
CLASS B 4,000 psi UNO		ADD. = Additional	
TOP BARS	OTHER BARS	B.O.W. = Bottom of wall	
#3 -	#3 -	C.B. = Corner Bars	
#4 -	#4 -	DIAG. = Diagonal	
#5 -	#5 -	D.O. = Door Opening	
#6 -	#6 -	DWLS. = Dowels	
#7 -	#7 -	E.F. = Each Face	
#8 -	#8 -	E.S. = Each Side	
#9 -	#9 -	E.W. = Each Way	
#10 -	#10 -	FTG. = Footing	
#11 -	#11 -	F.F. = Far Face	
#14 -	#14 -	HORIZ. = Horizontal	
		I.F. = Inside Face	
		INTERS. = Intersection	
		L.W. = long Way	
		N.F. = Near Face	
		O.F. = Outside Face	
		S.W. = Short Way	
		T&B = Top & Bottom	
		T.O.W. = Top of Wall	
		Trans. = Transverse	
		VERT. = Vertical	

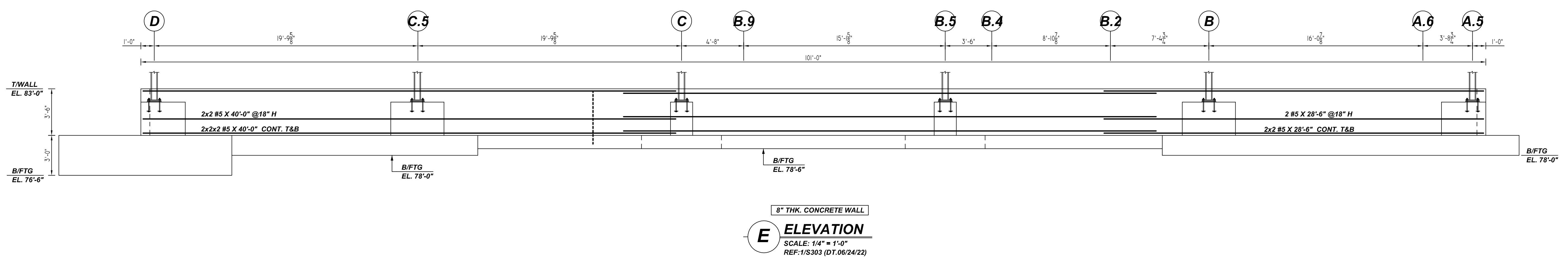
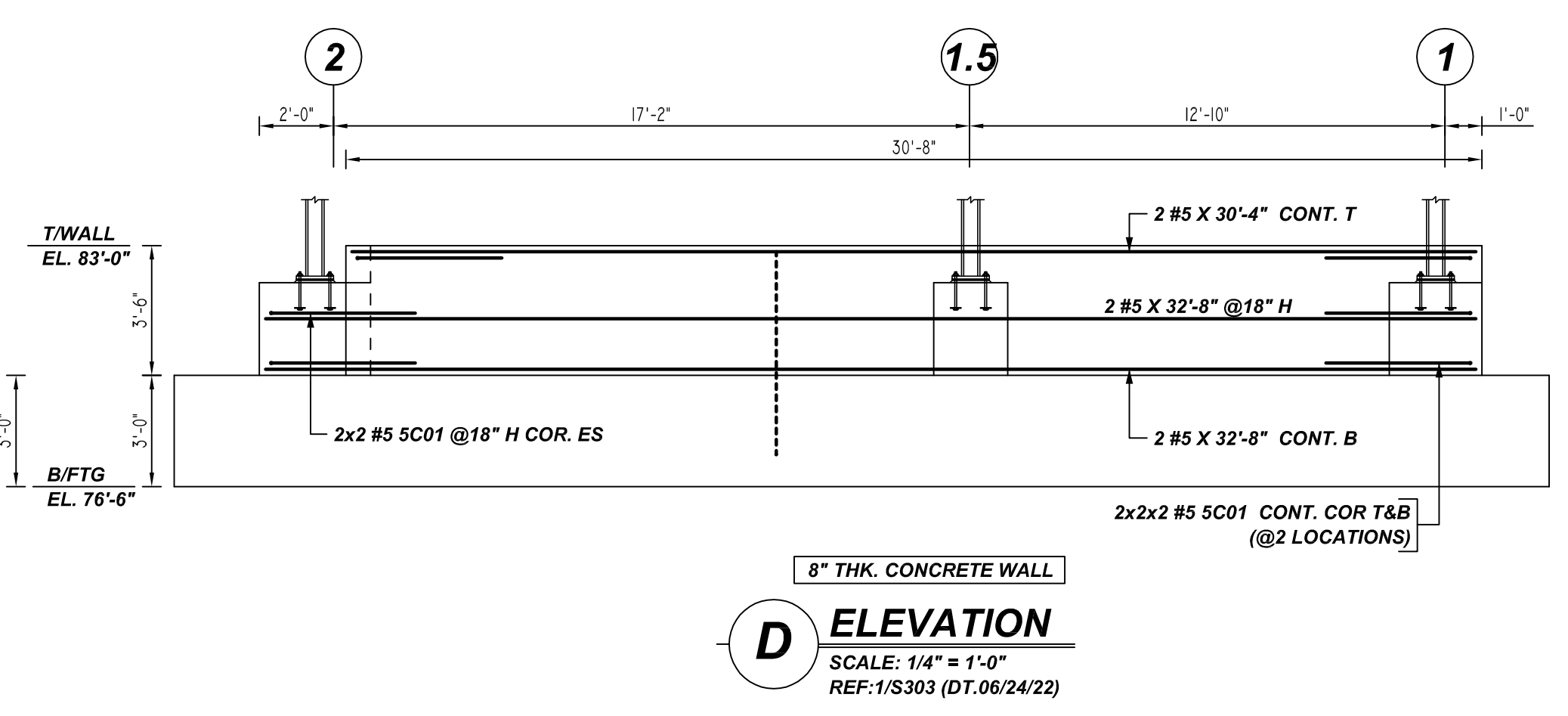
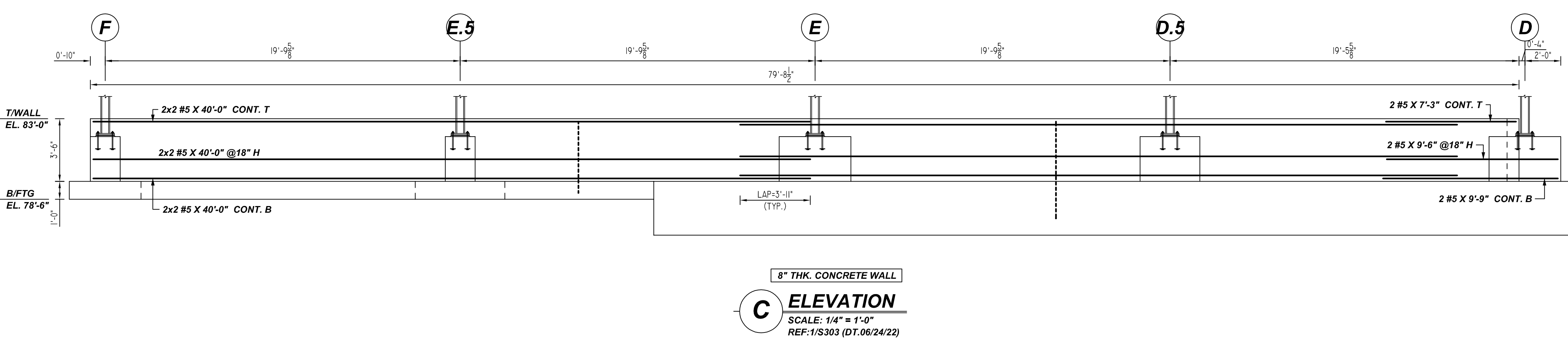
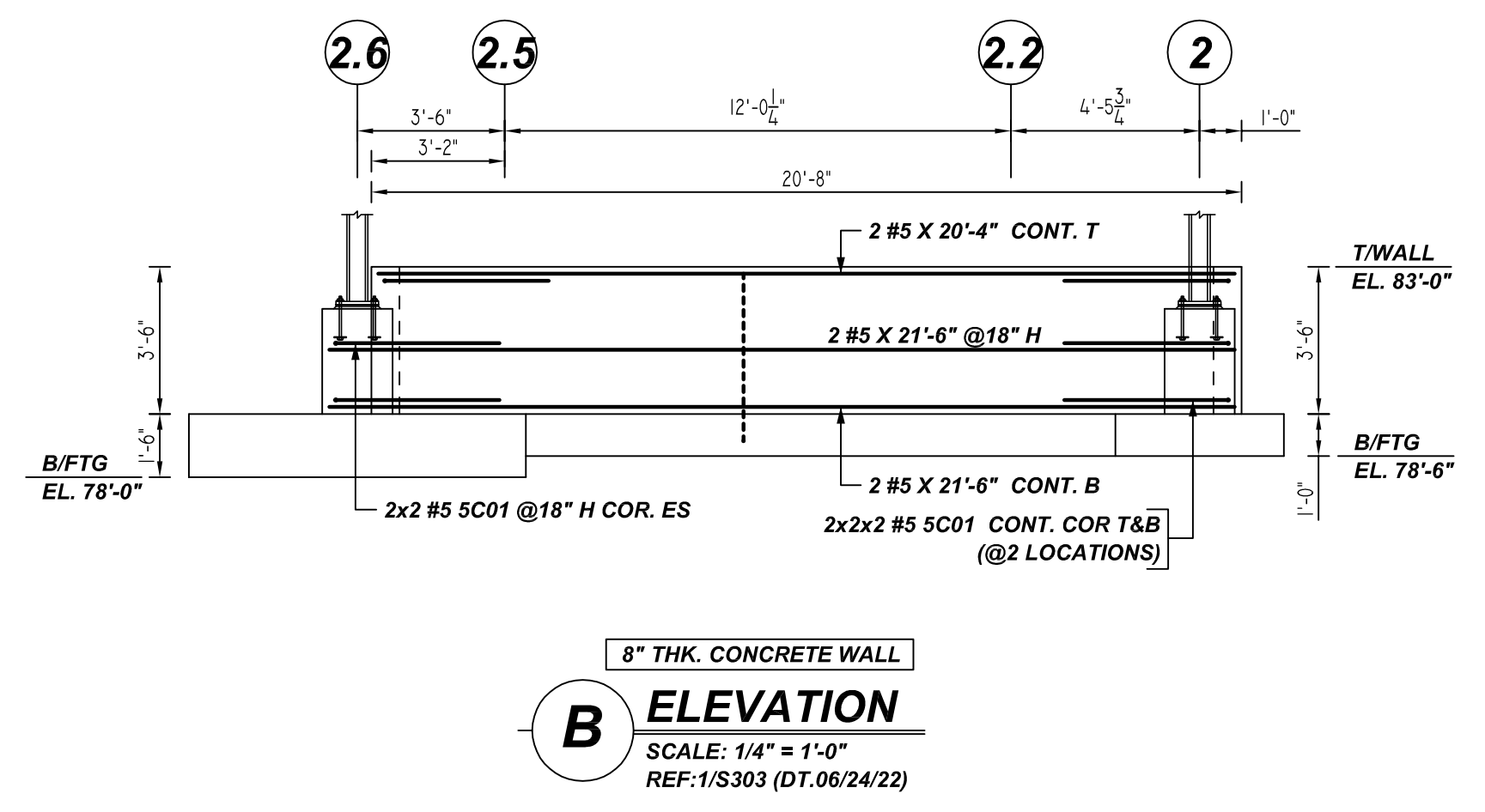
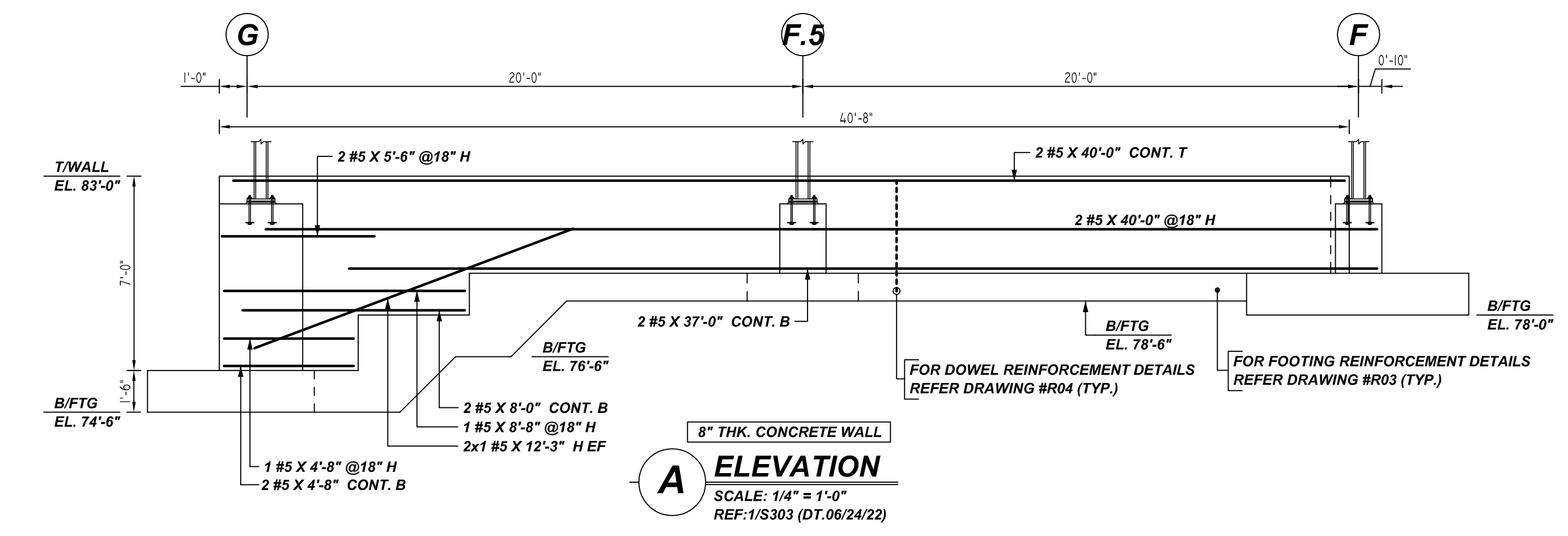
**T. FORD AXCELIS WAREHOUSE**  
 CONCRETE WALL REINFORCEMENT DETAILS  
 BEVERLY, MA 01915

CUSTOMER: GREEN LEAF CONSTRUCTION  
 DESIGNER: TFM STRUCTURAL ENGINEERS

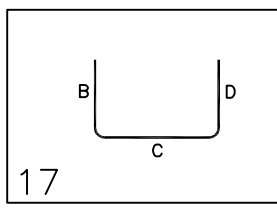
REV NO	DATE	SENT FOR	REV NO	DATE	SENT FOR
0	09.08.22	APPROVAL			

DRAWN BY	DATE	JOB NO	SHEET NO.
RTP/SS	09.08.22	M92270760	R06

**NOTICE**  
 SHORTAGES, IMPROPER FABRICATION OR CLAIMS FOR ANY OTHER REASON MUST BE REPORTED TO THIS COMPANY WITHIN 10 DAYS FROM ORIGINAL DELIVERY. THIS COMPANY ALSO RESERVES THE RIGHT TO FIELD INSPECT MATERIALS PRIOR TO REPLACEMENT OR RECONDITIONING OF MATERIALS AND WILL NOT BE LIABLE FOR CHARGES FROM WORK DONE IN THE FIELD WITHOUT PRIOR AUTHORIZATION FROM THIS COMPANY.  
 REINFORCING STEEL PLACING DRAWING ONLY. USE IN CONJUNCTION WITH CONTRACT DRAWINGS & SPECIFICATIONS. ELEVATIONS & DIMENSIONS SHOWN ON DRAWING ARE FOR DETAILING PURPOSES ONLY AND SHOULD NOT BE USED FOR CONSTRUCTION UNLESS VERIFIED BY ENGINEER OR CONTRACTOR.



Bar Mark	Qty	Size	Total Length	Type	X'	Y'	Z'	X'	Y'	Z'	X'	Y'	Z'
S01	24	#5	7'-10"	17									



**ALL BARS IN THIS DRAWING  
 ASTM A615 GRADE 60  
 BLACK UNCOATED**

LOCATION	MIN. COVER
WALL TOP & SIDE	2" CLR

**LAP SCHEDULE**

3000 PSI (CLASS-B) CASE - 1  
 Per ACI 318 (12.2.2)

BAR#	LENGTHS	
	TOP	OTHERS
#3	2'-4"	1'-10"
#4	3'-1"	2'-5"
#5	3'-11"	3'-0"
#6	4'-8"	3'-7"
#7	6'-9"	5'-3"
#8	7'-9"	6'-0"
#9	8'-9"	6'-9"
#10	9'-10"	7'-7"
#11	10'-11"	8'-5"

ALL TOP BARS ARE DEFINED AS HORIZ BARS WITH MORE THAN 12" OF CONCRETE BELOW BARS.

**REBAR GRADE 60 ASTM A-615**

SPLICES USED		ABBREVIATIONS		BAR MARK SIZE EQUIVALENT	
CLASS B 4,000 psi UNO				Imperial	Soft Metric
TOP BARS	OTHER BARS	ADD.	Additional	#3	#10
#3	#3	B.O.W.	Bottom of wall	#4	#13
#4	#4	C.B.	Corner Bars	#5	#16
#5	#5	DIAG.	Diagonal	#6	#19
#6	#6	D.O.	Door Opening	#7	#22
#7	#7	DWLS.	Dowels	#8	#25
#8	#8	E.F.	Each Face	#9	#29
#9	#9	E.S.	Each Side	#10	#32
#10	#10	E.W.	Each Way	#11	#36
#11	#11	FTG.	Footing		
#14	#14	F.F.	Far Face		
		HORIZ.	Horizontal		
		I.F.	Inside Face		
		INTERS.	Intersection		
		L.W.	long Way		
		N.F.	Near Face		
		O.F.	Outside Face		
		S.W.	Short Way		
		T&B	Top & Bottom		
		T.O.W.	Top of Wall		
		Trans.	Transverse		
		VERT.	Vertical		

**T. FORD AXCELIS WAREHOUSE**  
 CONCRETE WALL REINFORCEMENT DETAILS  
 BEVERLY, MA 01915

CUSTOMER: GREEN LEAF CONSTRUCTION  
 DESIGNER: TFM STRUCTURAL ENGINEERS

REV NO	DATE	SENT FOR	REV NO	DATE	SENT FOR
0	09.08.22	APPROVAL			

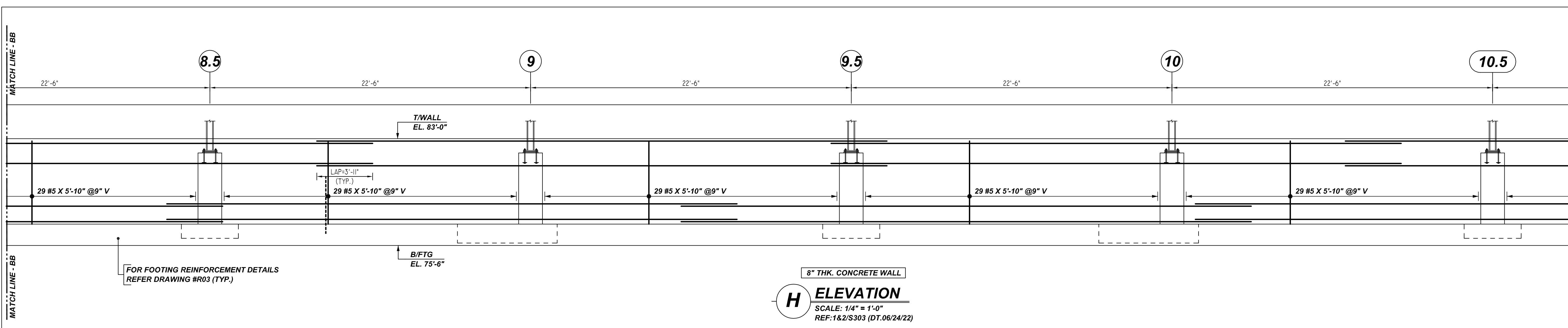
DRAWN BY	DATE	JOB NO	SHEET NO.
RTP/SS	09.08.22	M92270760	R07



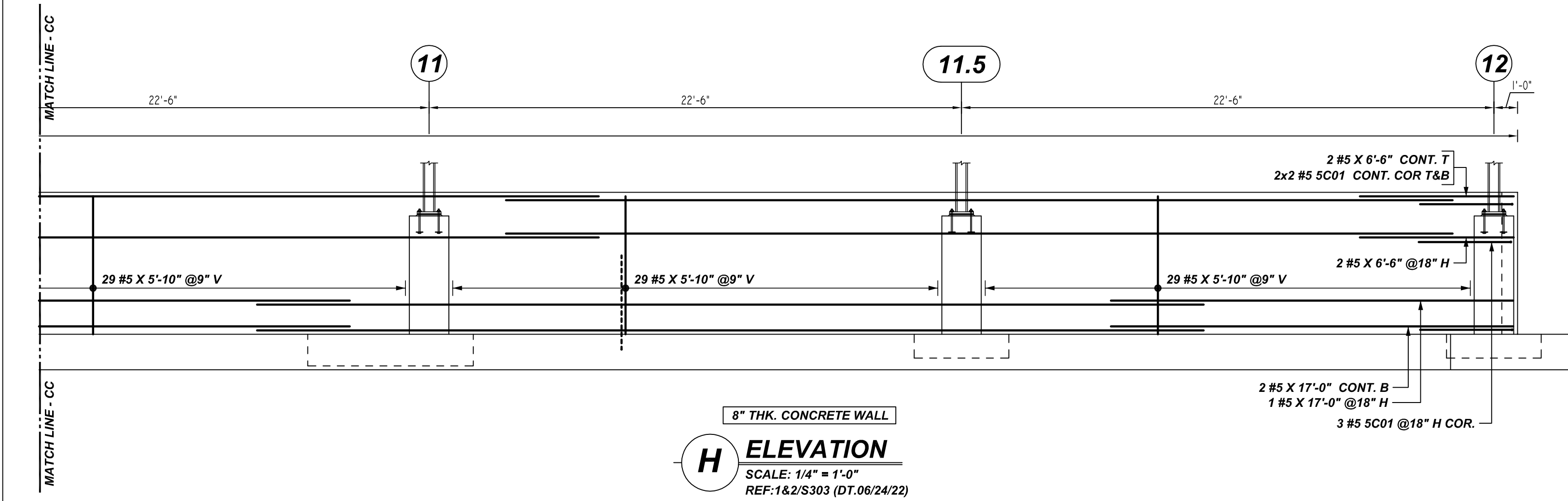
**NOTICE**

SHORTAGES, IMPROPER FABRICATION OR CLAIMS FOR ANY OTHER REASON MUST BE REPORTED TO THIS COMPANY WITHIN 10 DAYS FROM ORIGINAL DELIVERY. THIS COMPANY ALSO RESERVES THE RIGHT TO FIELD INSPECT MATERIALS PRIOR TO REPLACEMENT OR RECONDITIONING OF MATERIALS AND WILL NOT BE LIABLE FOR CHARGES FROM WORK DONE IN THE FIELD WITHOUT PRIOR AUTHORIZATION FROM THIS COMPANY.

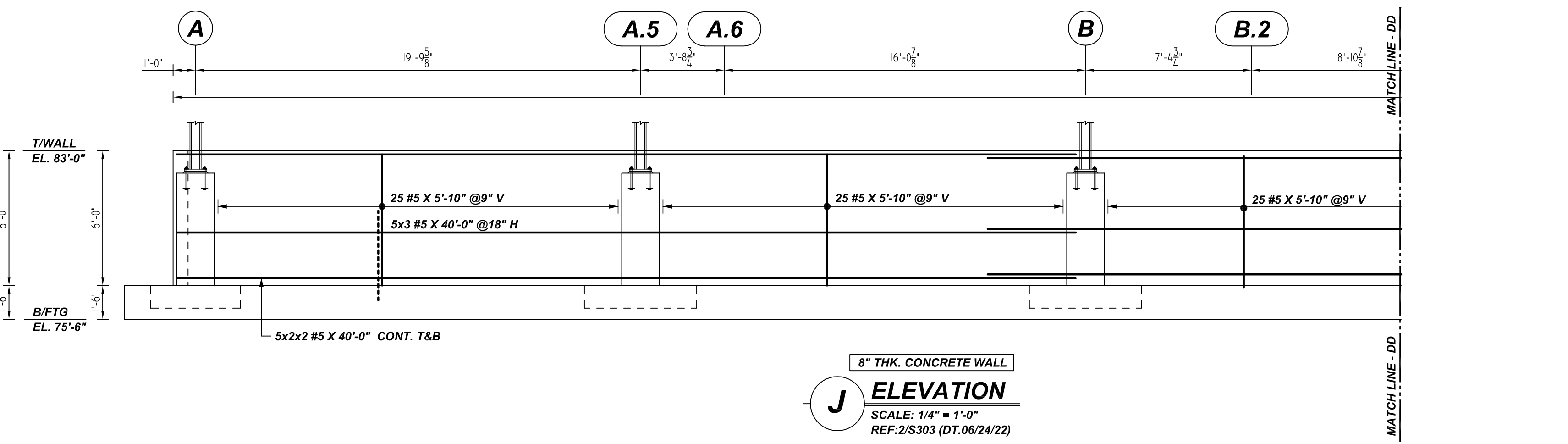
REINFORCING STEEL PLACING DRAWING ONLY. USE IN CONJUNCTION WITH CONTRACT DRAWINGS & SPECIFICATIONS. ELEVATIONS & DIMENSIONS SHOWN ON DRAWING ARE FOR DETAILING PURPOSES ONLY AND SHOULD NOT BE USED FOR CONSTRUCTION UNLESS VERIFIED BY ENGINEER OR CONTRACTOR.



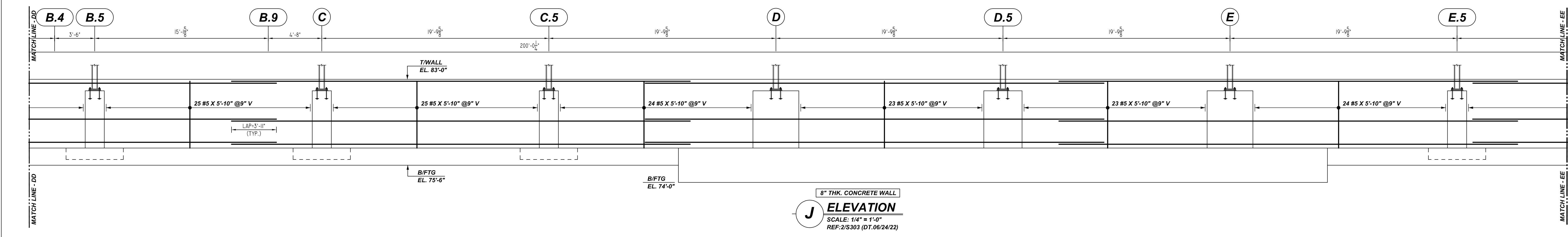
**H ELEVATION**  
SCALE: 1/4" = 1'-0"  
REF: 1&2/S303 (DT.06/24/22)



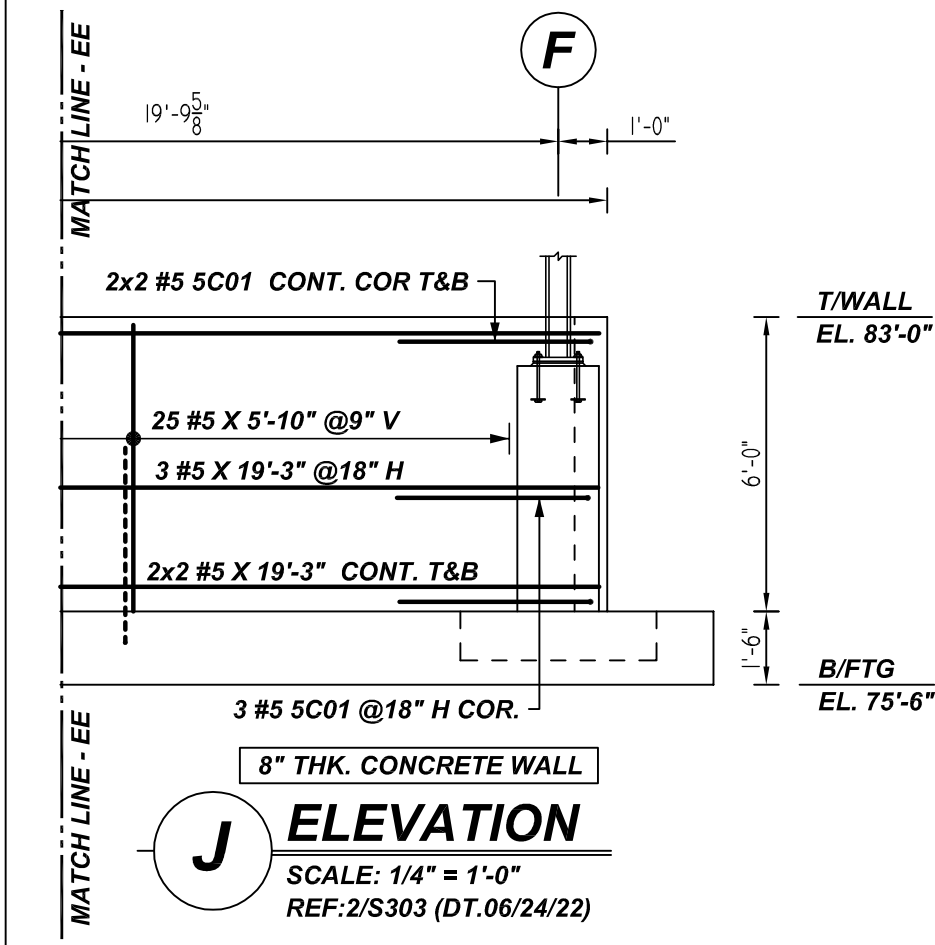
**H ELEVATION**  
SCALE: 1/4" = 1'-0"  
REF: 1&2/S303 (DT.06/24/22)



**J ELEVATION**  
SCALE: 1/4" = 1'-0"  
REF: 2/S303 (DT.06/24/22)



**J ELEVATION**  
SCALE: 1/4" = 1'-0"  
REF: 2/S303 (DT.06/24/22)



**J ELEVATION**  
SCALE: 1/4" = 1'-0"  
REF: 2/S303 (DT.06/24/22)

Release Number: R09

Bar Mark	Qty	Size	Total Length	Type	X	Y	Z	W	V	U	T	S	R	Q	P	O	N	M	L	K	J	I	H	G	F	E	D	C	B	A
5C01	14	#5	7'-10"	17																										

**ALL BARS IN THIS DRAWING  
ASTM A615 GRADE 60  
BLACK UNCOATED**

TYPICAL REINFORCING BAR CLEARANCE TABLE

LOCATION	MIN. COVER
WALL TOP & SIDE	2" CLR

**LAP SCHEDULE**

3000 PSI (CLASS-B) CASE - 1  
Per ACI 318 (12.2.2)

BAR#	LENGTHS	
	TOP	OTHERS
#3	2'-4"	1'-10"
#4	3'-1"	2'-5"
#5	3'-11"	3'-0"
#6	4'-8"	3'-7"
#7	6'-9"	5'-3"
#8	7'-9"	6'-0"
#9	8'-9"	6'-9"
#10	9'-10"	7'-7"
#11	10'-11"	8'-5"

ALL TOP BARS ARE DEFINED AS HORIZ BARS WITH MORE THAN 12" OF CONCRETE BELOW BARS.

**REBAR GRADE 60 ASTM A-615**

SPLICES USED		ABBREVIATIONS		BAR MARK SIZE EQUIVALENT	
CLASS B 4,000 psi UNO				Imperial	Soft Metric
TOP BARS	OTHER BARS	ADD. = Additional	B.O.W. = Bottom of wall	#3	#10
#3 -	#3 -	C.B. = Corner Bars	DIAG. = Diagonal	#4	#13
#4 -	#4 -	D.O. = Door Opening	D.W.L.S. = Dowels	#5	#16
#5 -	#5 -	E.F. = Each Face	E.S. = Each Side	#6	#19
#6 -	#6 -	E.W. = Each Way	FTG. = Footing	#7	#22
#7 -	#7 -	F.F. = Far Face	HORIZ. = Horizontal	#8	#25
#8 -	#8 -	I.F. = Inside Face	INTERS. = Intersection	#9	#29
#9 -	#9 -	L.W. = Long Way	N.F. = Near Face	#10	#32
#10 -	#10 -	O.F. = Outside Face	S.W. = Short Way	#11	#36
#11 -	#11 -	T&B = Top & Bottom	T.O.W. = Top of Wall		
#14 -	#14 -	Trans. = Transverse	VERT. = Vertical		

**T. FORD AXCELIS WAREHOUSE**  
CONCRETE WALL REINFORCEMENT DETAILS  
BEVERLY, MA 01915

CUSTOMER: GREEN LEAF CONSTRUCTION  
DESIGNER: TFM STRUCTURAL ENGINEERS

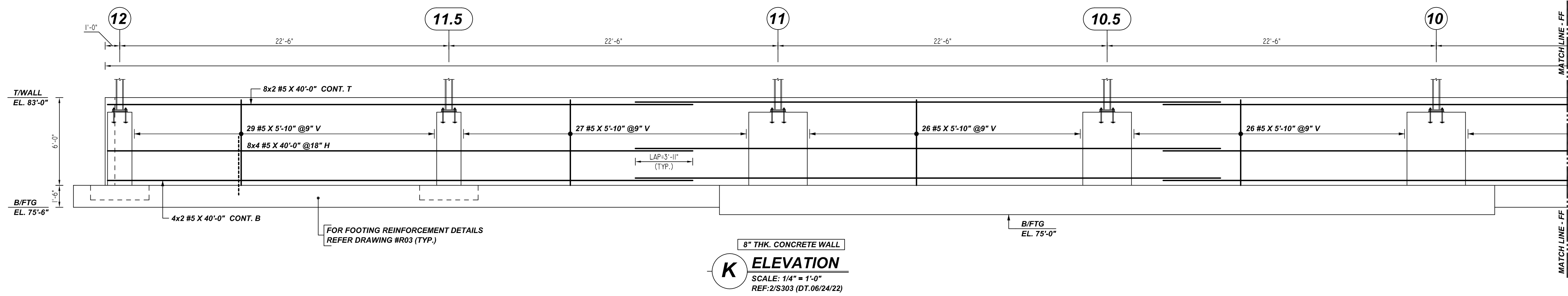
REV NO	DATE	SENT FOR	REV NO	DATE	SENT FOR
0	09.08.22	APPROVAL			

DRAWN BY	DATE	JOB NO	SHEET NO.
RTP/SS	09.08.22	M92270760	R09

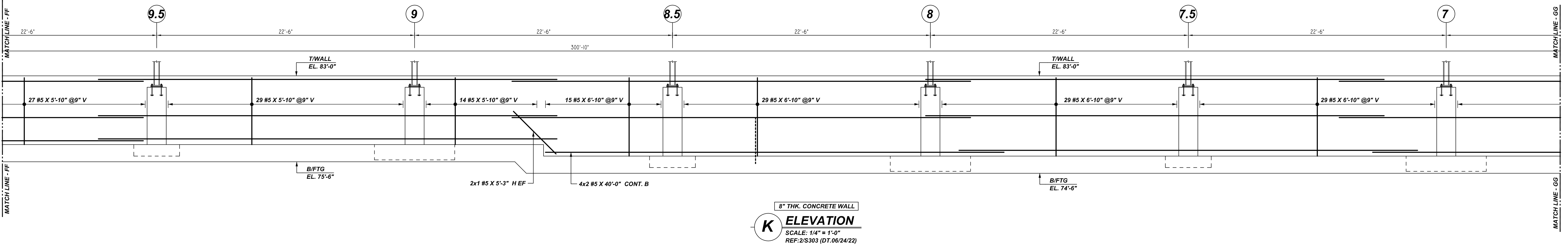
**NOTICE**

SHORTAGES, IMPROPER FABRICATION OR CLAIMS FOR ANY OTHER REASON MUST BE REPORTED TO THIS COMPANY WITHIN 10 DAYS FROM ORIGINAL DELIVERY. THIS COMPANY ALSO RESERVES THE RIGHT TO FIELD INSPECT MATERIALS PRIOR TO REPLACEMENT OR RECONDITIONING OF MATERIALS AND WILL NOT BE LIABLE FOR CHARGES FROM WORK DONE IN THE FIELD WITHOUT PRIOR AUTHORIZATION FROM THIS COMPANY.

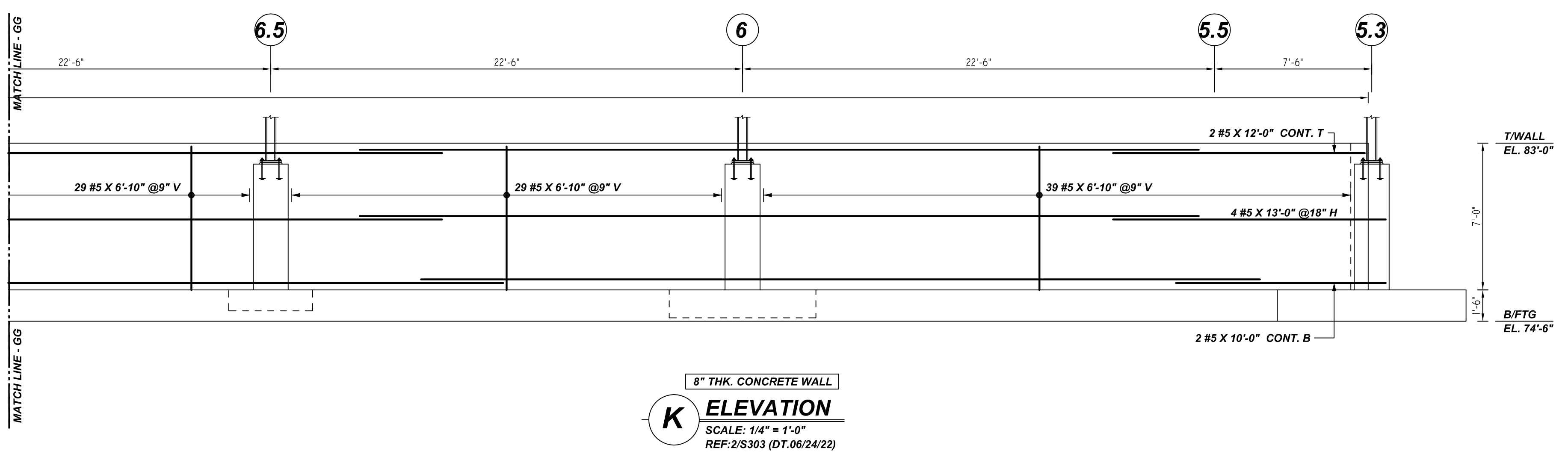
REINFORCING STEEL PLACING DRAWING ONLY. USE IN CONJUNCTION WITH CONTRACT DRAWINGS & SPECIFICATIONS. ELEVATIONS & DIMENSIONS SHOWN ON DRAWING ARE FOR DETAILING PURPOSES ONLY AND SHOULD NOT BE USED FOR CONSTRUCTION UNLESS VERIFIED BY ENGINEER OR CONTRACTOR.



**K ELEVATION**  
SCALE: 1/4" = 1'-0"  
REF: 2/S303 (DT.06/24/22)



**K ELEVATION**  
SCALE: 1/4" = 1'-0"  
REF: 2/S303 (DT.06/24/22)



**K ELEVATION**  
SCALE: 1/4" = 1'-0"  
REF: 2/S303 (DT.06/24/22)

**ALL BARS IN THIS DRAWING  
ASTM A615 GRADE 60  
BLACK UNCOATED**

TYPICAL REINFORCING BAR CLEARANCE TABLE	
LOCATION	MIN. COVER
WALL TOP & SIDE	2" CLR

**LAP SCHEDULE**

3000 PSI (CLASS-B) CASE - 1  
Per ACI 318 (12.2.2)

BAR#	LENGTHS	
	TOP	OTHERS
#3	2'-4"	1'-10"
#4	3'-1"	2'-5"
#5	3'-11"	3'-0"
#6	4'-9"	3'-7"
#7	6'-9"	5'-3"
#8	7'-9"	6'-0"
#9	8'-9"	6'-9"
#10	9'-10"	7'-7"
#11	10'-11"	8'-5"

ALL TOP BARS ARE DEFINED AS HORIZ BARS WITH MORE THAN 12" OF CONCRETE BELOW BARS.

**REBAR GRADE 60 ASTM A-615**

SPLICES USED		ABBREVIATIONS		BAR MARK SIZE EQUIVALENT	
CLASS B 4,000 psi UNO				Imperial	Soft Metric
TOP BARS	OTHER BARS	ADD. = Additional	B.O.W. = Bottom of wall	#3	#10
#3 -	#3 -	C.B. = Corner Bars	DIAG. = Diagonal	#4	#13
#4 -	#4 -	D.O. = Door Opening	D.W.L.S. = Dowels	#5	#16
#5 -	#5 -	E.F. = Each Face	E.S. = Each Side	#6	#19
#6 -	#6 -	E.W. = Each Way	FTG. = Footing	#7	#22
#7 -	#7 -	F.F. = Far Face	HORIZ. = Horizontal	#8	#25
#8 -	#8 -	I.F. = Inside Face	INTERS. = Intersection	#9	#29
#9 -	#9 -	L.W. = Long Way	N.F. = Near Face	#10	#32
#10 -	#10 -	O.F. = Outside Face	S.W. = Short Way	#11	#36
#11 -	#11 -	T&B = Top & Bottom	T.O.W. = Top of Wall		
#14 -	#14 -	Trans. = Transverse	VERT. = Vertical		

**T. FORD AXCELIS WAREHOUSE**  
CONCRETE WALL REINFORCEMENT DETAILS  
**BEVERLY, MA 01915**

CUSTOMER: GREEN LEAF CONSTRUCTION  
DESIGNER: TFM STRUCTURAL ENGINEERS

REV NO	DATE	SENT FOR	REV NO	DATE	SENT FOR
0	09.08.22	APPROVAL			

DRAWN BY	DATE	JOB NO	SHEET NO.
RTP/SS	09.08.22	M92270760	R10



