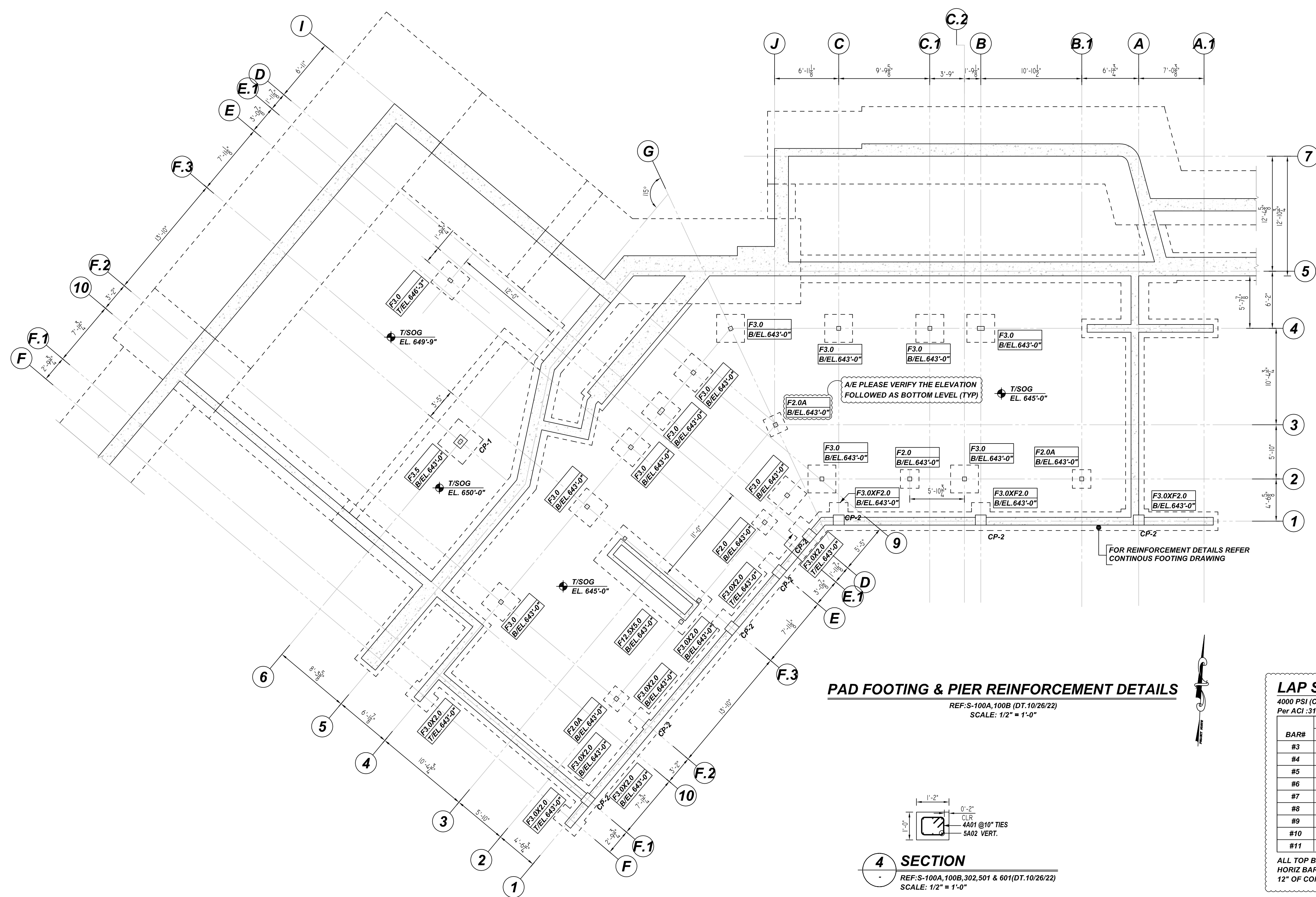


**NOTICE**

SHORTAGES, IMPROPER FABRICATION OR CLAIMS FOR ANY OTHER REASON MUST BE REPORTED TO THIS COMPANY WITHIN 10 DAYS FROM ORIGINAL DELIVERY. THIS COMPANY ALSO RESERVES THE RIGHT TO FIELD INSPECT MATERIALS PRIOR TO REPLACEMENT OR RECONDITIONING OF MATERIALS AND WILL NOT BE LIABLE FOR CHARGES FROM WORK DONE IN THE FIELD WITHOUT PRIOR AUTHORIZATION FROM THIS COMPANY.

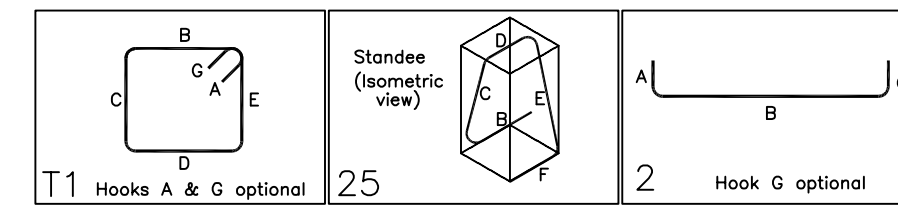
REINFORCING STEEL PLACING DRAWING ONLY. USE IN CONJUNCTION WITH CONTRACT DRAWINGS & SPECIFICATIONS. ELEVATIONS & DIMENSIONS SHOWN ON DRAWING ARE FOR DETAILING PURPOSES ONLY AND SHOULD NOT BE USED FOR CONSTRUCTION UNLESS VERIFIED BY ENGINEER OR CONTRACTOR.



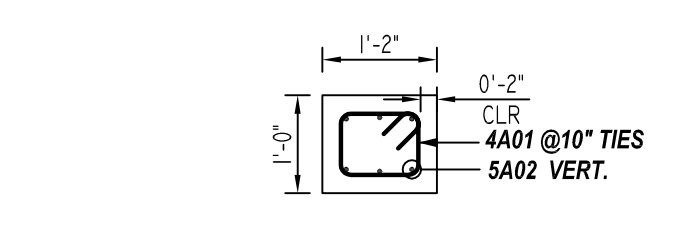
FOOTING SCHEDULE					
MARK	QTY	SIZE	GRID LOCATION	REINFORCING	REMARK
F2.0	2	2'-0"x2'-0"x1'-0"	E.1/2 & C-C.1/2	2x2x3 #4 X 1'-6" @12" BOT EW	SECTION-1
F2.0A	3	2'-0"x2'-0"x1'-0"	B.1/2, F.2/2 & J/3	3x2x4 #4 X 1'-6" @8" BOT EW	SECTION-1
F3.0	13	3'-0"x3'-0"x1'-0"	C.2/2, D.1/2, B, G, C.1, D, E / 4 F.2, F.3, G, 9 / 4, 1 / 9 & E-E.1	13x2x4 #5 X 2'-6" @12" BOT EW	SECTION-1
F3.0X2.0	10	3'-0"x2'-0"x1'-0"	A, B, C, D, E, F, F.1, F.2, F.3/1 & F/4	10x2x4 #5 X 1'-6" @12" BOT & TOP LW 10x2x3 #5 X 2'-6" @12" BOT & TOP SW 10x2 #5 SA01 @48" STANDEES	SECTION-2
F3.5	1	3'-6"x3'-6"x1'-6"	F.2-F.3 / 6	2x4 #5 X 3'-0" BOT EW	SECTION-3
F12.5X5.0	1	12'-6"x5'-0"x1'-0"	F.3 / 3	13 #5 X 4'-6" @12" BOT LW 6 #5 X 12'-0" @12" BOT SW	SECTION-1

PIER SCHEDULE					
MARK	QTY	SIZE	GRID LOCATION	REINFORCING	REMARK
CP-1	1	14" X 12"	F.2-F.3 / 6	2 #4 4A01 @3" TIES @ TOP 5 #4 4A01 @10" TIES 6 #5 SA02 VERT.	SECTION-4
CP-2	FOR REINFORCEMENT DETAILS REFER CONTINUOUS FOOTING DRAWING				
CP-3	FOR REINFORCEMENT DETAILS REFER CONTINUOUS FOOTING DRAWING				

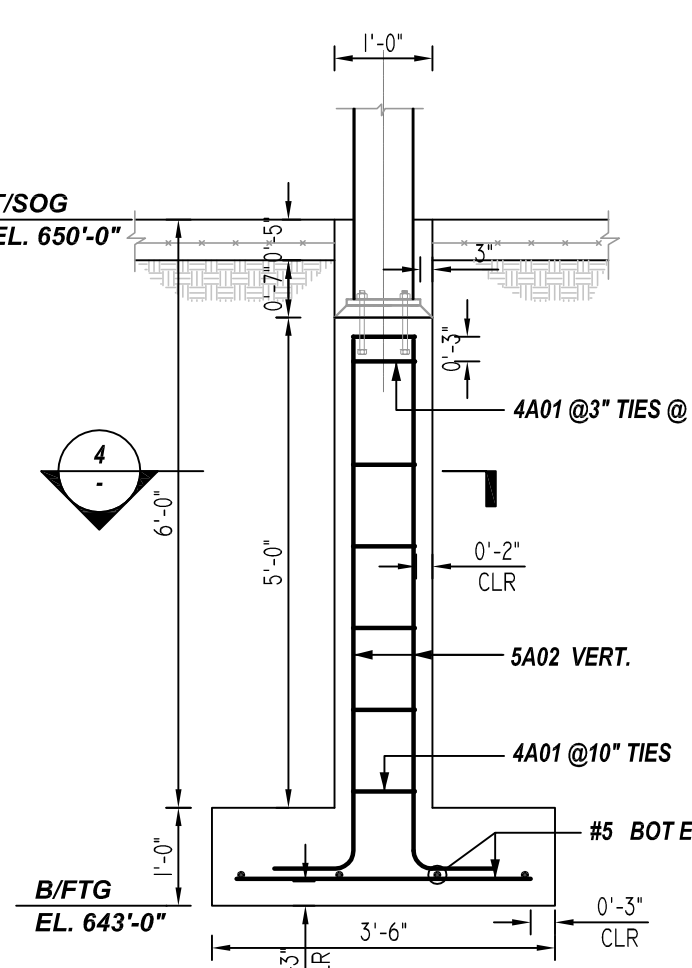
BENDING DETAILS												
Bar Mark	Qty	Size	Total Length	Type	X'	Y'	Z'	V'	W'	U'	T'	S'
4A01	7	#4	26'-3"	T1	0'-4"	0'-10"	0'-8"	0'-10"	0'-8"	0'-4"		
SA01	20	#5	88'-4"	S	1'-6"	0'-4"	0'-8"	0'-4"	1'-6"	0'-4"		
SA02	6	#5	37'-6"	T	0'-10"	5'-5"						



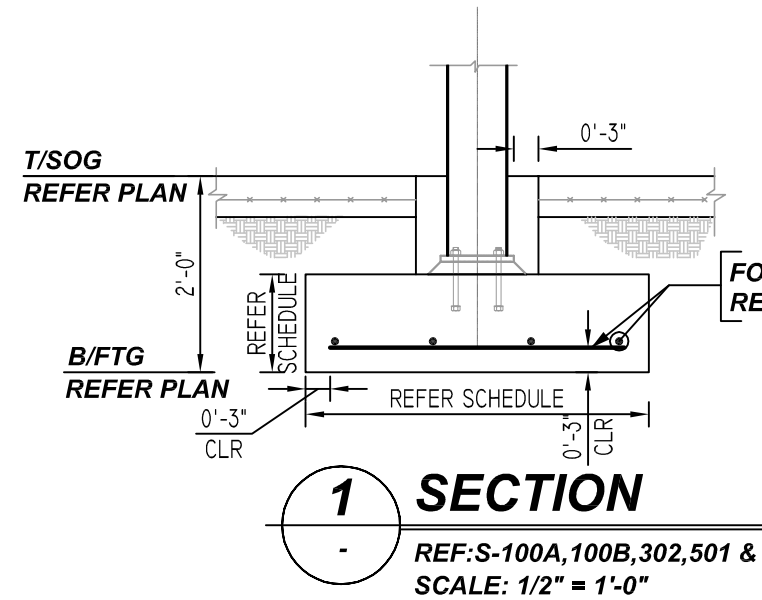
**PAD FOOTING & PIER REINFORCEMENT DETAILS**  
REF: S-100A, 100B, 302, 501 & 601 (DT.10/26/22)  
SCALE: 1/2" = 1'-0"



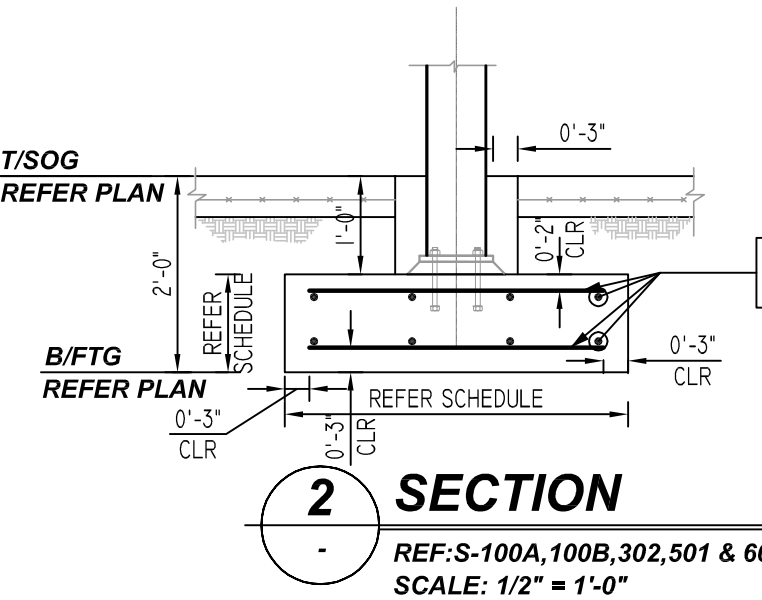
**SECTION 4**  
REF: S-100A, 100B, 302, 501 & 601 (DT.10/26/22)  
SCALE: 1/2" = 1'-0"



**SECTION 3**  
REF: S-100A, 100B, 302, 501 & 601 (DT.10/26/22)  
SCALE: 1/2" = 1'-0"



**SECTION 1**  
REF: S-100A, 100B, 302, 501 & 601 (DT.10/26/22)  
SCALE: 1/2" = 1'-0"



**SECTION 2**  
REF: S-100A, 100B, 302, 501 & 601 (DT.10/26/22)  
SCALE: 1/2" = 1'-0"

**LAP SCHEDULE**

4000 PSI (CLASS-B) CASE - 1  
Per ACI.318 (12.2.2)

BAR#	LENGTHS	
	TOP	OTHERS
#3	2'-0"	1'-7"
#4	2'-8"	2'-1"
#5	3'-4"	2'-7"
#6	4'-0"	3'-1"
#7	5'-10"	4'-6"
#8	6'-8"	5'-2"
#9	7'-7"	5'-10"
#10	8'-6"	6'-7"
#11	9'-5"	7'-3"

ALL TOP BARS ARE DEFINED AS HORIZ BARS WITH MORE THAN 12" OF CONCRETE BELOW BARS.

A/E PLEASE VERIFY THE LAP LENGTH FOLLOWED

**TYPICAL REINFORCING BAR CLEARANCE TABLE**

LOCATION	MIN. COVER
FOOTING BOTTOM & SIDE	3" CLR
FOOTING TOP	2" CLR
PIER ALL SIDES	2" CLR

A/E PLEASE VERIFY THE COVER FOLLOWED

**REBAR GRADE 60 ASTM A-615**

SPLICES USED		ABBREVIATIONS		BAR MARK SIZE EQUIVALENT	
CLASS B 4,000 psi UNO					
TOP BARS	OTHER BARS			Imperial	Soft Metric
#3 24"	#3 19"	ADD.	= Additional	#3	#10
#4 32"	#4 25"	B.O.W.	= Bottom of wall	#4	#13
#5 40"	#5 31"	C.B.	= Corner Bars	#5	#16
#6 48"	#6 37"	DIAG.	= Diagonal	#6	#19
#7 70"	#7 54"	D.O.	= Door Opening	#7	#22
#8 80"	#8 62"	DWLS.	= Dowels	#8	#25
#9 91"	#9 70"	E.F.	= Each Face	#9	#29
#10 102"	#10 79"	E.S.	= Each Side	#10	#32
#11 113"	#11 87"	E.W.	= Each Way	#11	#36
#14		FTG.	= Footing		
		F.F.	= Far Face		
		HORIZ.	= Horizontal		
		I.F.	= Inside Face		
		INTERS.	= Intersection		
		L.W.	= Long Way		
		N.F.	= Near Face		
		O.F.	= Outside Face		
		S.W.	= Short Way		
		T&B	= Top & Bottom		
		T.O.W.	= Top of Wall		
		Trans.	= Transverse		
		VERT.	= Vertical		

**PINE PLAINS HOUSE**  
PAD FOOTING & PIER REINFORCEMENT DETAILS  
**PINE PLAINS, NY**

CUSTOMER: UCE BUILDERS  
DESIGNER: -

REV NO	DATE	APPROVAL	SENT FOR	REV NO	DATE	SENT FOR
0	12.06.22					

DRAWN BY	DATE	JOB NO	SHEET NO.
JSN/SS	12.06.22	M92271059P	R01