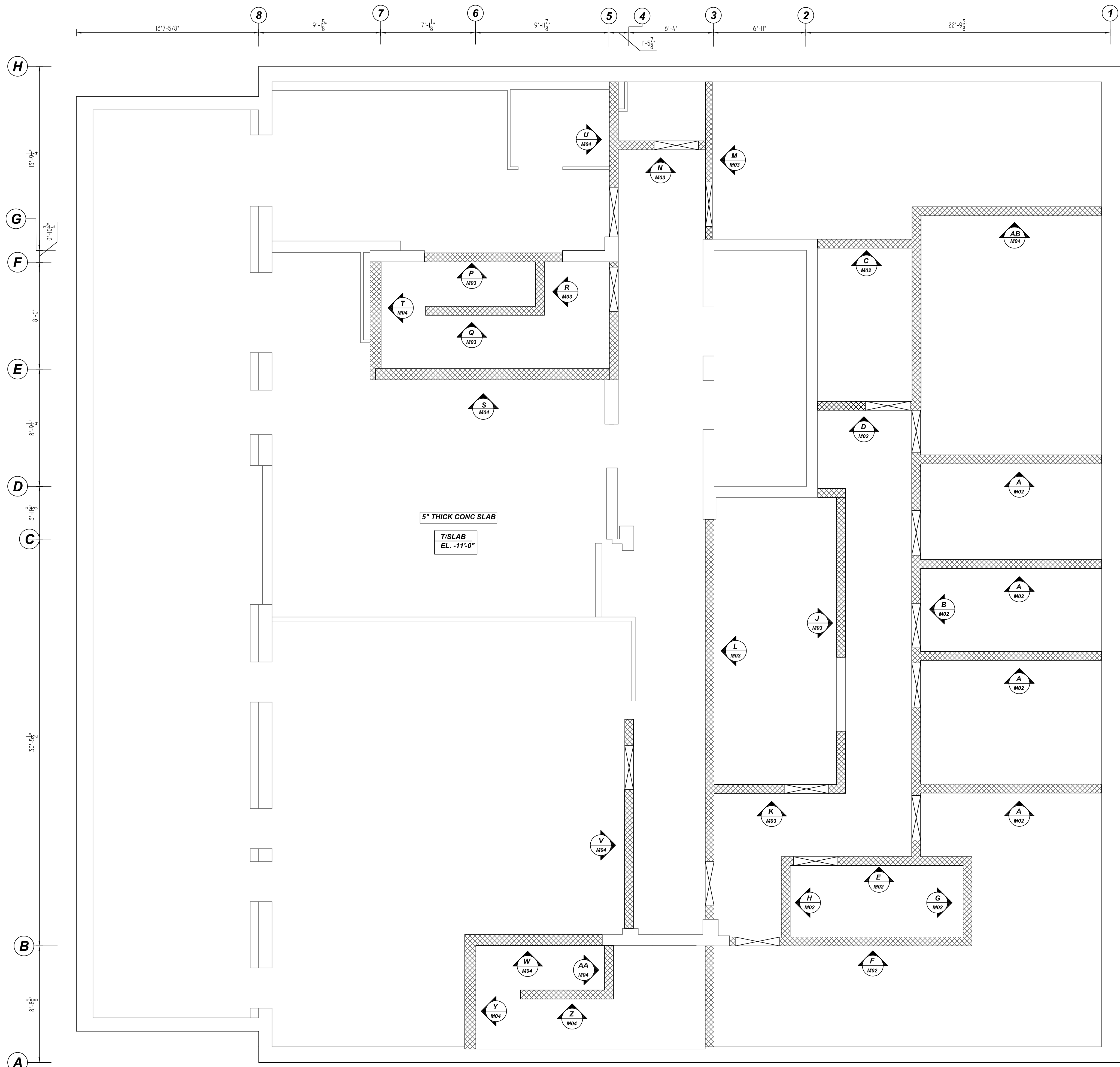


NOTICE
 SHORTAGES, IMPROPER FABRICATION OR CLAIMS FOR ANY OTHER REASON MUST BE REPORTED TO THIS COMPANY WITHIN 10 DAYS FROM ORIGINAL DELIVERY. THIS COMPANY ALSO RESERVES THE RIGHT TO FIELD INSPECT MATERIALS PRIOR TO REPLACEMENT OR RECONDITIONING OF MATERIALS AND WILL NOT BE LIABLE FOR CHARGES FROM WORK DONE IN THE FIELD WITHOUT PRIOR AUTHORIZATION FROM THIS COMPANY.

REINFORCING STEEL PLACING DRAWING ONLY. USE IN CONJUNCTION WITH CONTRACT DRAWINGS & SPECIFICATIONS. ELEVATIONS & DIMENSIONS SHOWN ON DRAWING ARE FOR DETAILING PURPOSES ONLY AND SHOULD NOT BE USED FOR CONSTRUCTION UNLESS VERIFIED BY ENGINEER OR CONTRACTOR.



CELLAR LEVEL TO LEVEL 1 CMU WALL LOCATIONS LAYOUT
 SCALE - 1/4"=1'-0"
 REF: F0-100

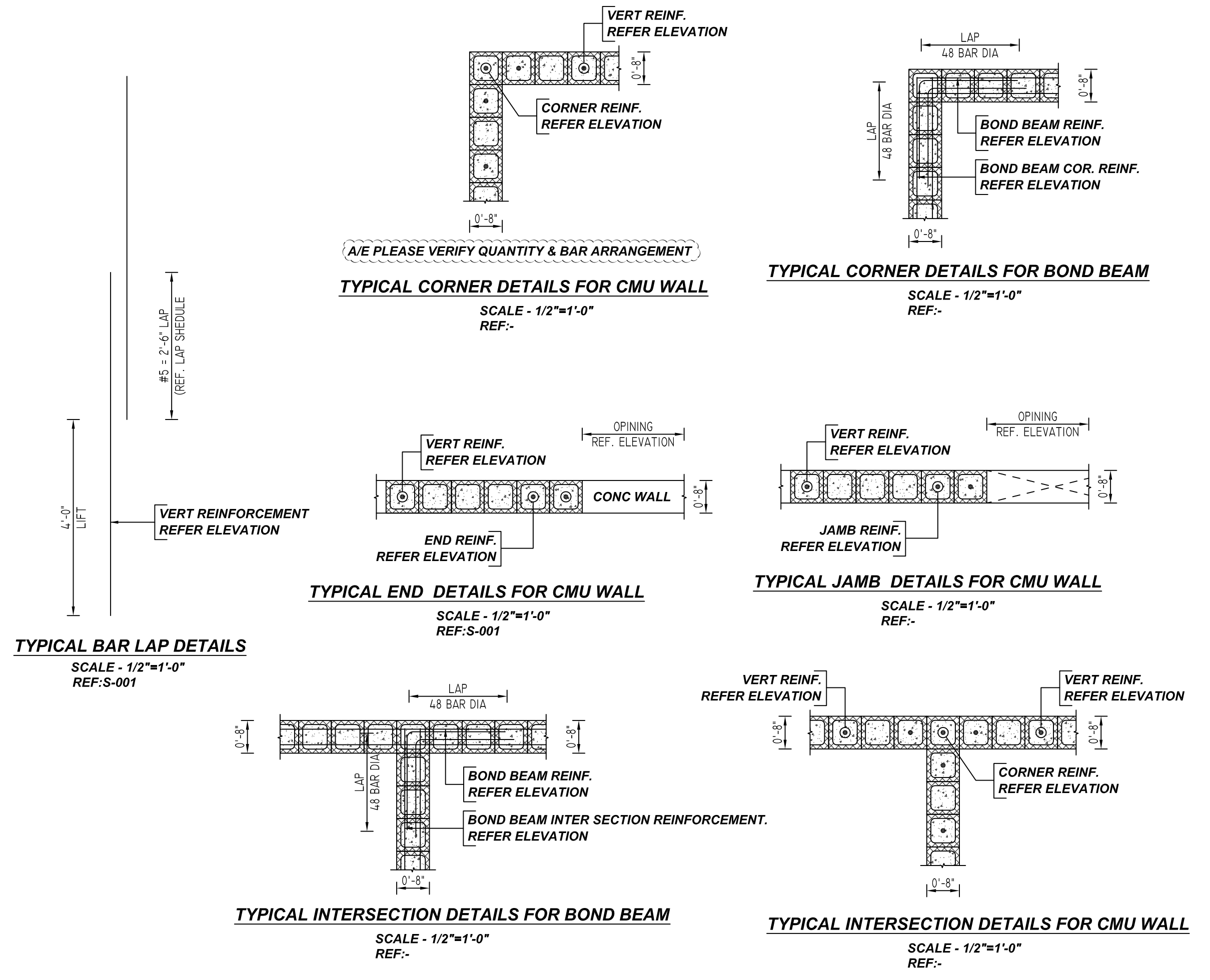
ALL BARS IN THIS DRAWING
ASTM A615 GRADE 60
BLACK UNCOATED

PLEASE CONFIRM LAP SCHEDULE WE ASSUME

LAP SCHEDULE	
SIZE	48" LAP
#3	18"
#4	24"
#5	30"
#6	36"
#7	42"
#8	48"

LEGEND

- NO. OF LOCATION
- NO. OF LIFT
- NO. OF BAR
- 2x2x1 #5 X'-X" VERTS
- NO. OF LIFT (OR) NO. OF LOCATION
- NO. OF BAR
- 2x1 #5 X'-X" VERTS
- LIFT 1 TO LIFT 6
- 2x1 #5 6'-6" VERTS L1-L6



REBAR GRADE 60 ASTM A-615

SPLICES USED		ABBREVIATIONS		BAR MARK SIZE EQUIVALENT	
CLASS B 4,000 psi UNO				Imperial	Soft Metric
TOP BARS	OTHER BARS	ADD.	= Additional	#3	#10
#3 24"	#3 19"	B.O.W.	= Bottom of wall	#4	#13
#4 32"	#4 25"	C.B.	= Corner Bars	#5	#16
#5 40"	#5 31"	DIAG.	= Diagonal	#6	#19
#6 48"	#6 37"	D.O.	= Door Opening	#7	#22
#7 70"	#7 54"	DWL.	= Dowels	#8	#25
#8 80"	#8 62"	E.F.	= Each Face	#9	#29
#9 91"	#9 70"	E.S.	= Each Side	#10	#32
#10 102"	#10 79"	E.W.	= Each Way	#11	#36
#11 113"	#11 87"	FTG.	= Footing		
#14	#14	F.F.	= Far Face		
		HORIZ.	= Horizontal		
		I.F.	= Inside Face		
		INTERS	= Intersection		
		L.W.	= Long Way		
		N.F.	= Near Face		
		O.F.	= Outside Face		
		S.W.	= Short Way		
		T&B	= Top & Bottom		
		T.O.W.	= Top of Wall		
		Trans.	= Transverse		
		VERT.	= Vertical		

778 MYRTLE AVENUE
 CELLAR LEVEL TO LEVEL 1 CMU WALL REINFORCEMENT DETAILS
IMPACCT, BROOKLYN

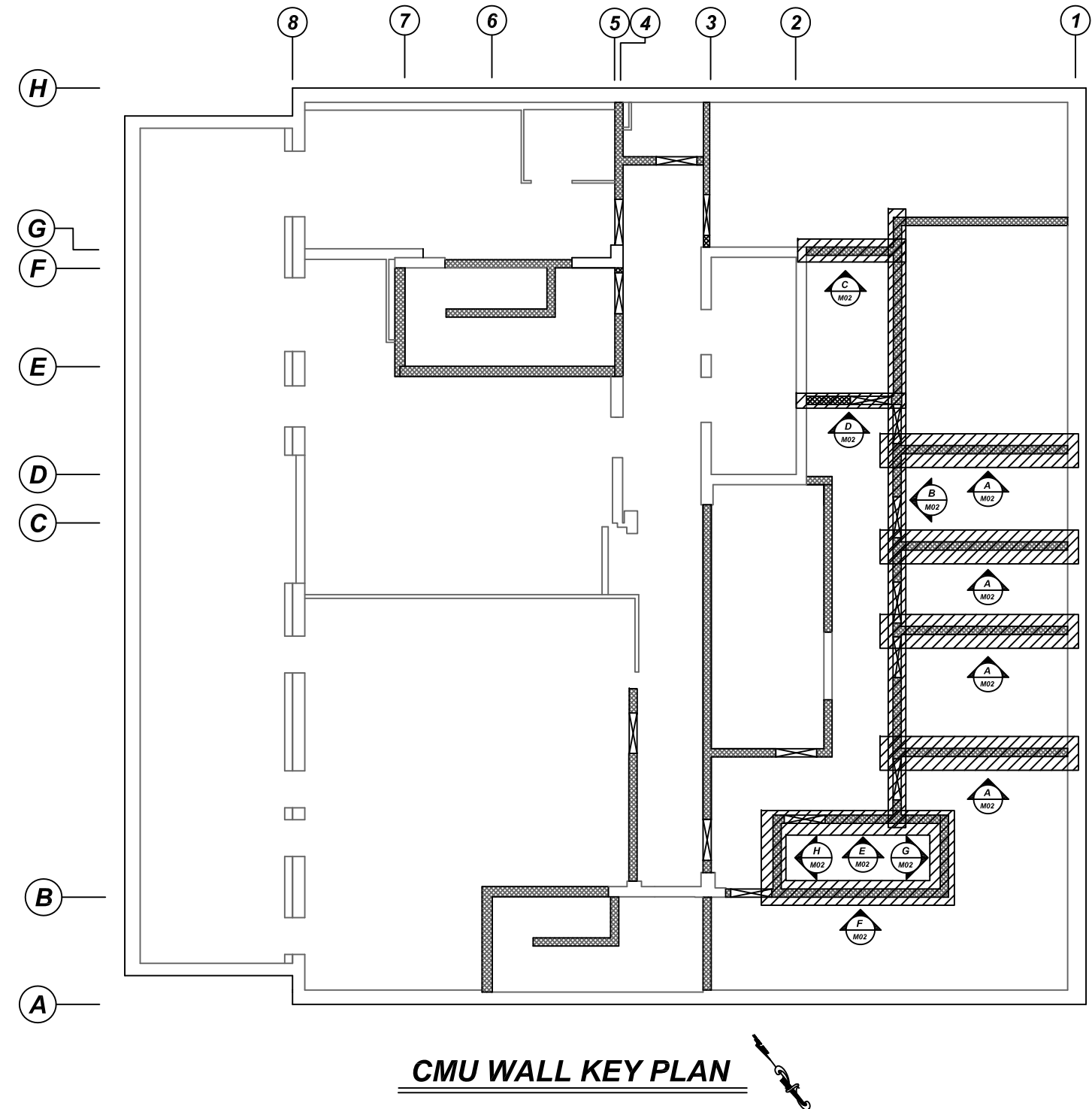
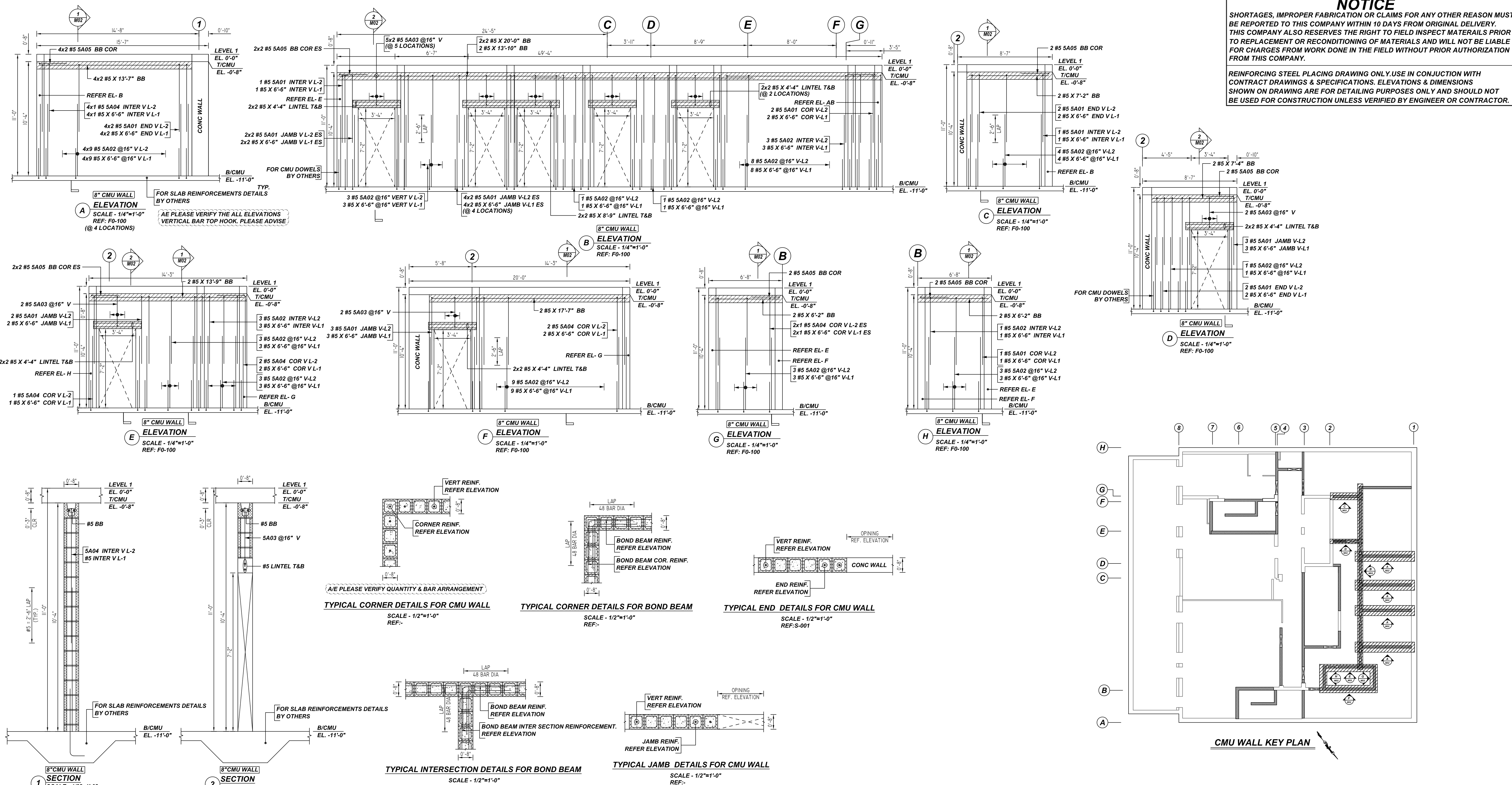
CUSTOMER: -
 DESIGNER: -

REV NO	DATE	SENT FOR	REV NO	DATE	SENT FOR	DRAWN BY	DATE	JOB NO	SHEET NO.
0	02.08.22	APPROVAL				SM	02.08.22	M922P085	M01

NOTICE

SHORTAGES, IMPROPER FABRICATION OR CLAIMS FOR ANY OTHER REASON MUST BE REPORTED TO THIS COMPANY WITHIN 10 DAYS FROM ORIGINAL DELIVERY. THIS COMPANY ALSO RESERVES THE RIGHT TO FIELD INSPECT MATERIALS PRIOR TO REPLACEMENT OR RECONDITIONING OF MATERIALS AND WILL NOT BE LIABLE FOR CHARGES FROM WORK DONE IN THE FIELD WITHOUT PRIOR AUTHORIZATION FROM THIS COMPANY.

REINFORCING STEEL PLACING DRAWING ONLY USE IN CONJUNCTION WITH CONTRACT DRAWINGS & SPECIFICATIONS. ELEVATIONS & DIMENSIONS SHOWN ON DRAWING ARE FOR DETAILING PURPOSES ONLY AND SHOULD NOT BE USED FOR CONSTRUCTION UNLESS VERIFIED BY ENGINEER OR CONTRACTOR.



REBAR GRADE 60 ASTM A-615

SPLICES USED

CLASS B 4,000 psi UNO

TOP BARS	OTHER BARS
#3 24"	#3 19"
#4 32"	#4 25"
#5 40"	#5 31"
#6 48"	#6 37"
#7 70"	#7 54"
#8 80"	#8 62"
#9 91"	#9 70"
#10 102"	#10 79"
#11 113"	#11 87"
#14	#14

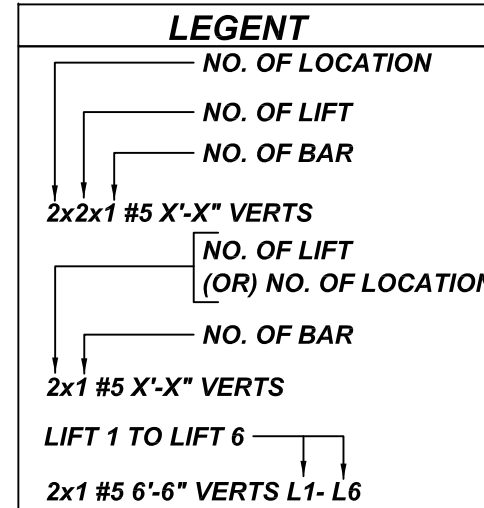
ABBREVIATIONS		BAR MARK SIZE EQUIVALENT	
		Imperial	Soft Metric
ADD.	= Additional	#3	#10
B.O.W.	= Bottom of wall	#4	#13
C.B.	= Corner Bars	#5	#16
DIAG.	= Diagonal	#6	#19
D.O.	= Door Opening	#7	#22
DWLS.	= Dowels	#8	#25
E.F.	= Each Face	#9	#29
E.S.	= Each Side	#10	#32
E.W.	= Each Way	#11	#36
FTG.	= Footing		
F.F.	= Far Face		
HORIZ.	= Horizontal		
I.F.	= Inside Face		
INTERS.	= Intersection		
L.W.	= Long Way		
N.F.	= Near Face		
O.F.	= Outside Face		
S.W.	= Short Way		
T&B	= Top & Bottom		
T.O.W.	= Top of Wall		
Trans.	= Transverse		
VERT.	= Vertical		

PLEASE CONFIRM LAP SCHEDULE WE ASSUME

FOR CMU WALL

LAP SCHEDULE

SIZE	48 Ø LAP
#3	18"
#4	24"
#5	30"
#6	36"
#7	42"
#8	48"



Release Number: M02

Bar Mark	Qty	Size	Total Length	Type	X	Y	Z	W	V	U	T	S	R	Q	P	O	N	M	L	K	J	I	H	G	F	E	D	C	B	A
SA01	45	#5	6'-11"	2	0'-10"	6'-1"																								
SA02	82	#5	6'-8"	2	0'-7"	6'-1"																								
SA03	16	#5	4'-4"	2	0'-10"	2'-8"																								
SA04	11	#5	6'-8"	2	0'-7"	6'-1"																								
SA05	24	#5	5'-0"	17	0'-7"	2'-4"																								

**ALL BARS IN THIS DRAWING
ASTM A615 GRADE 60
BLACK UNCOATED**

778 MYRTLE AVENUE
CELLAR LEVEL TO LEVEL 1 CMU WALL REINFORCEMENT DETAILS
IMPACCT, BROOKLYN

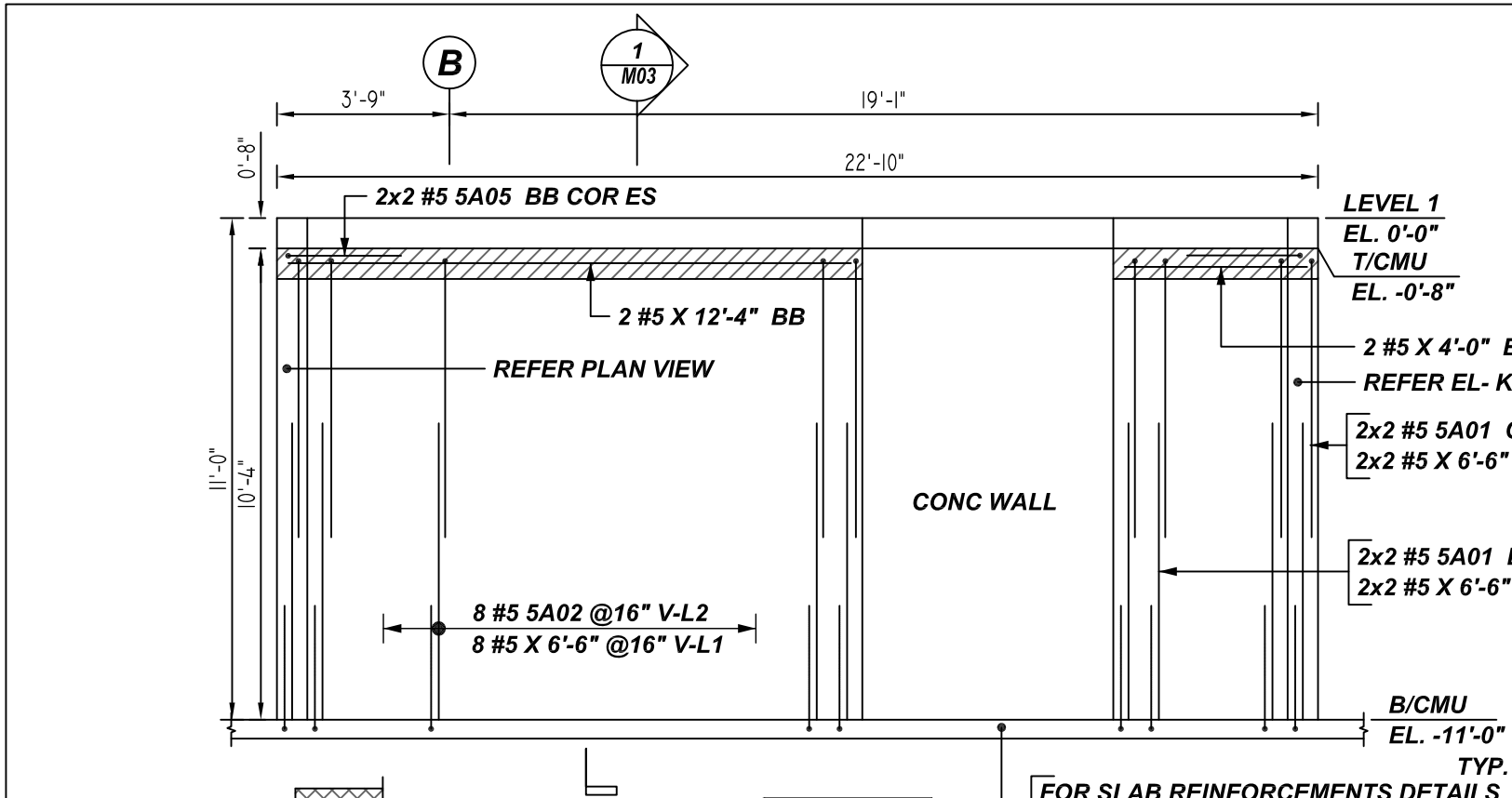
CUSTOMER: -
DESIGNER: -

REV NO	DATE	APPROVAL	SENT FOR	REV NO	DATE	SENT FOR	DRAWN BY	DATE	JOB NO	SHEET NO.
0	02.08.22						SM	02.08.22	M922P085	M02

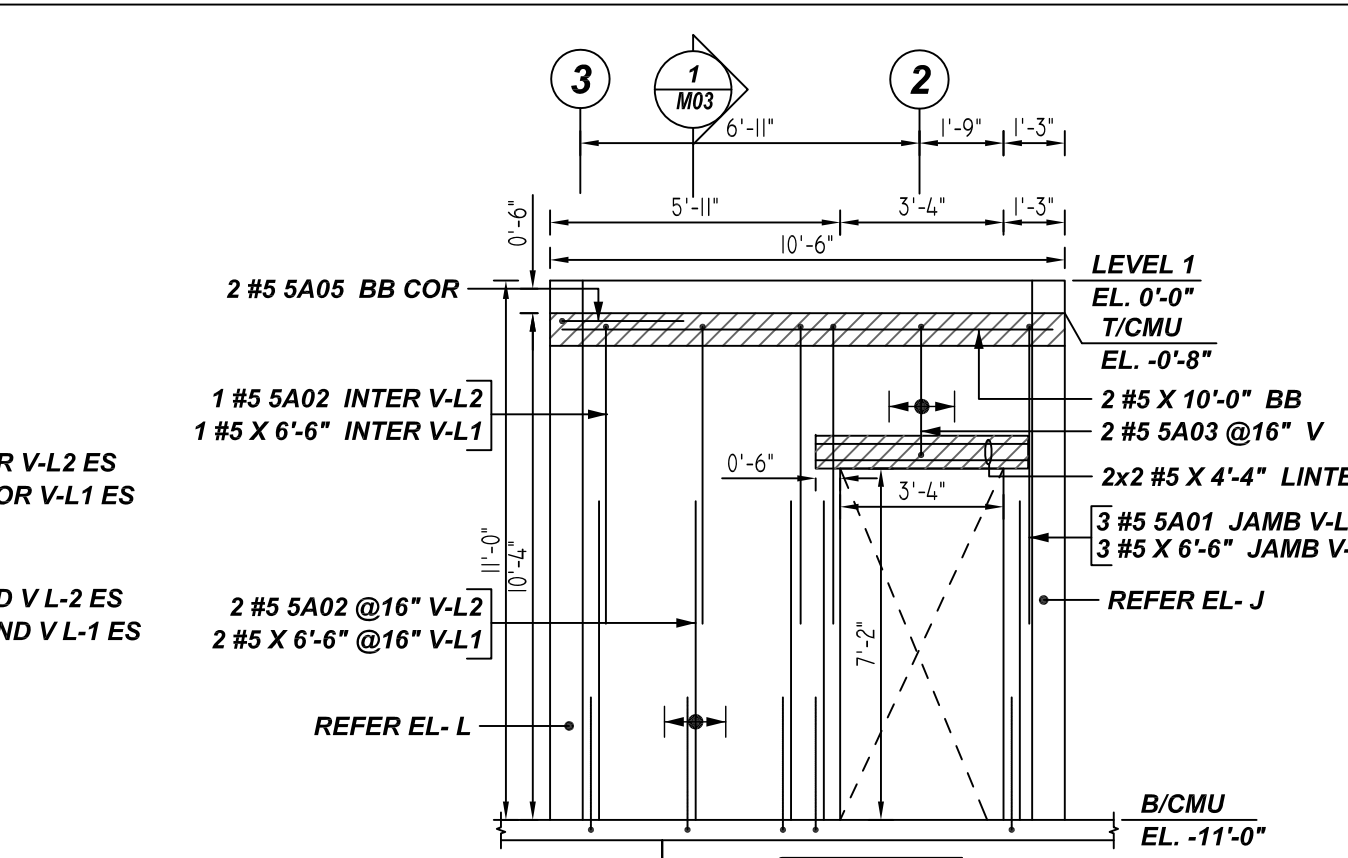
NOTICE

SHORTAGES, IMPROPER FABRICATION OR CLAIMS FOR ANY OTHER REASON MUST BE REPORTED TO THIS COMPANY WITHIN 10 DAYS FROM ORIGINAL DELIVERY. THIS COMPANY ALSO RESERVES THE RIGHT TO FIELD INSPECT MATERIALS PRIOR TO REPLACEMENT OR RECONDITIONING OF MATERIALS AND WILL NOT BE LIABLE FOR CHARGES FROM WORK DONE IN THE FIELD WITHOUT PRIOR AUTHORIZATION FROM THIS COMPANY.

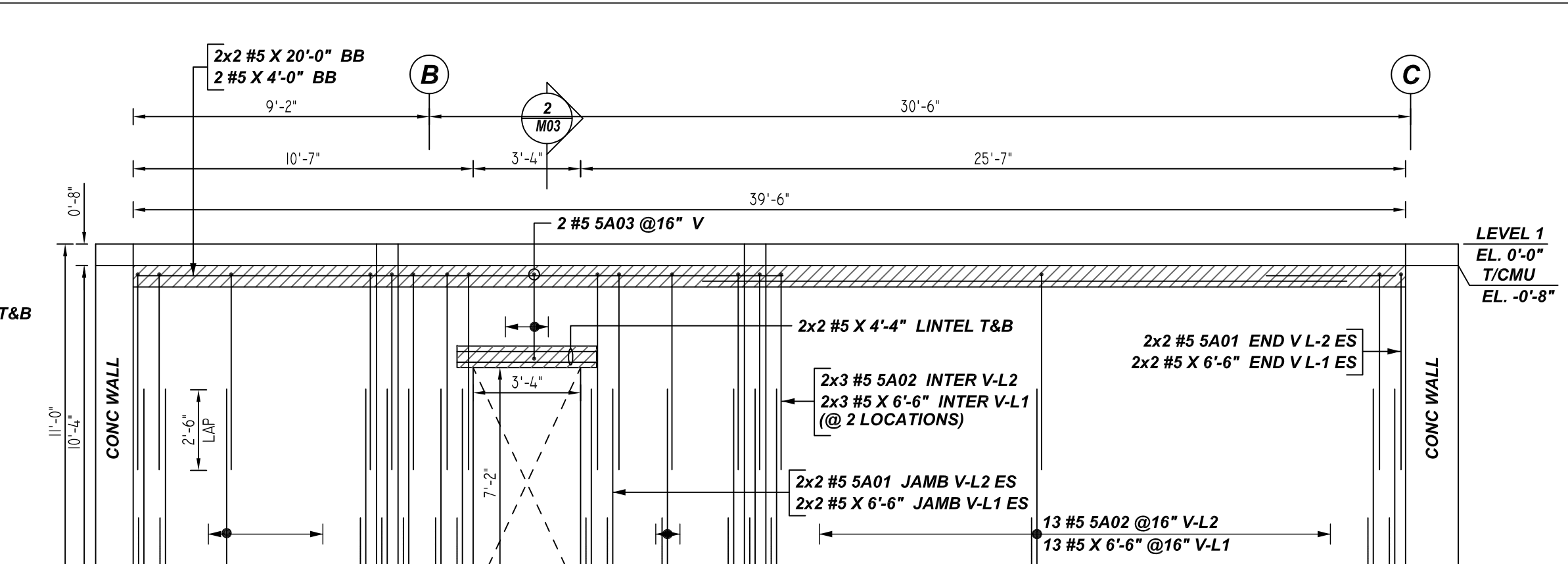
REINFORCING STEEL PLACING DRAWING ONLY. USE IN CONJUNCTION WITH CONTRACT DRAWINGS & SPECIFICATIONS. ELEVATIONS & DIMENSIONS SHOWN ON DRAWING ARE FOR DETAILING PURPOSES ONLY AND SHOULD NOT BE USED FOR CONSTRUCTION UNLESS VERIFIED BY ENGINEER OR CONTRACTOR.



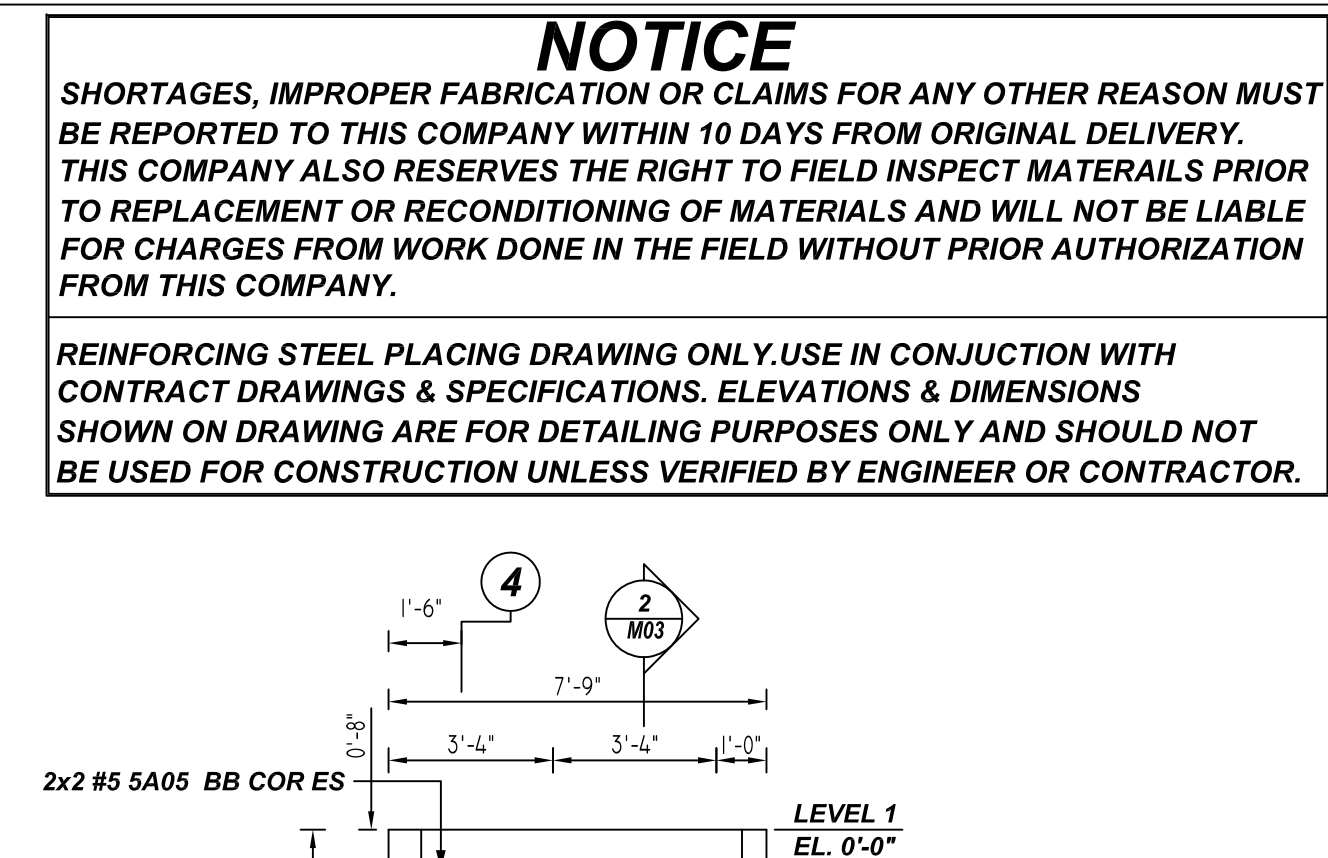
J ELEVATION
SCALE - 1/4"=1'-0"
REF: F0-100



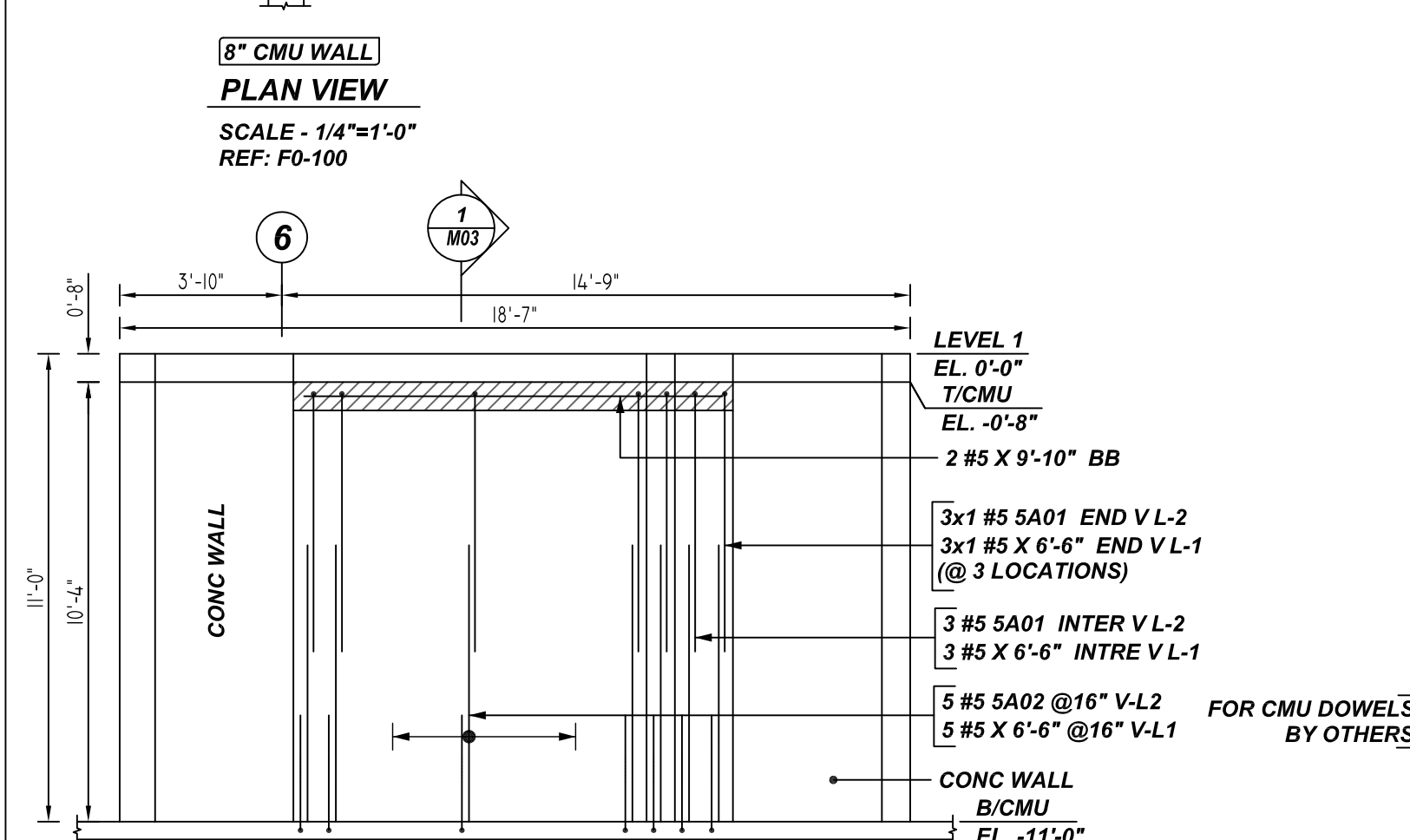
K ELEVATION
SCALE - 1/4"=1'-0"
REF: F0-100



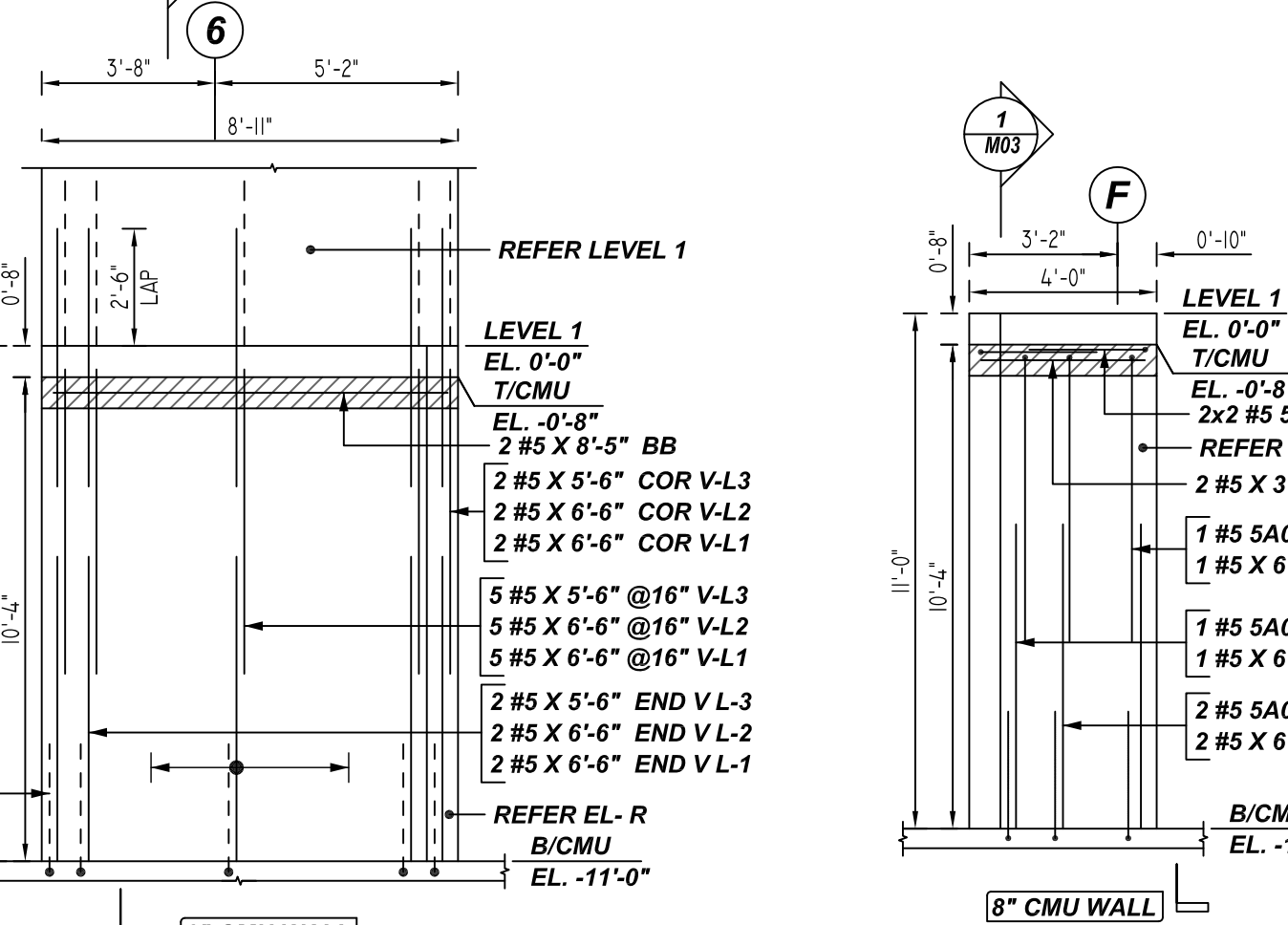
L ELEVATION
SCALE - 1/4"=1'-0"
REF: F0-100



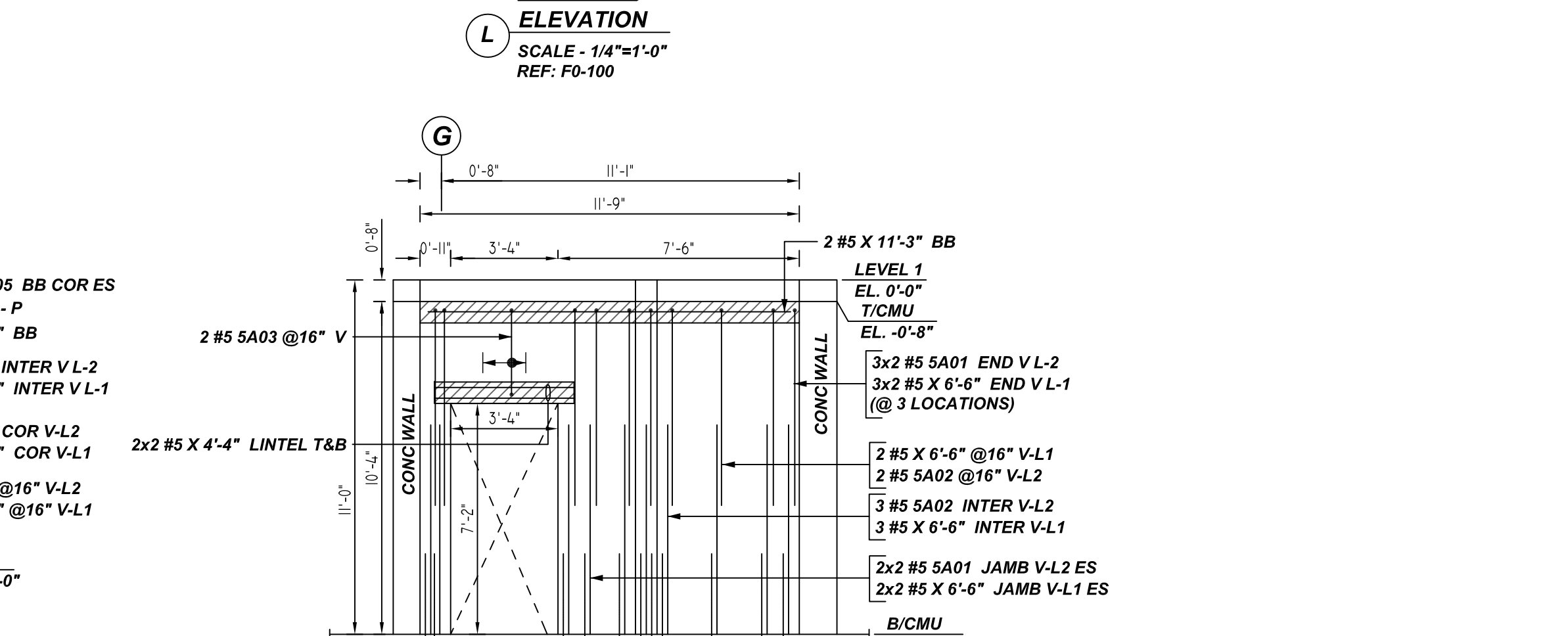
M ELEVATION
SCALE - 1/4"=1'-0"
REF: F0-100



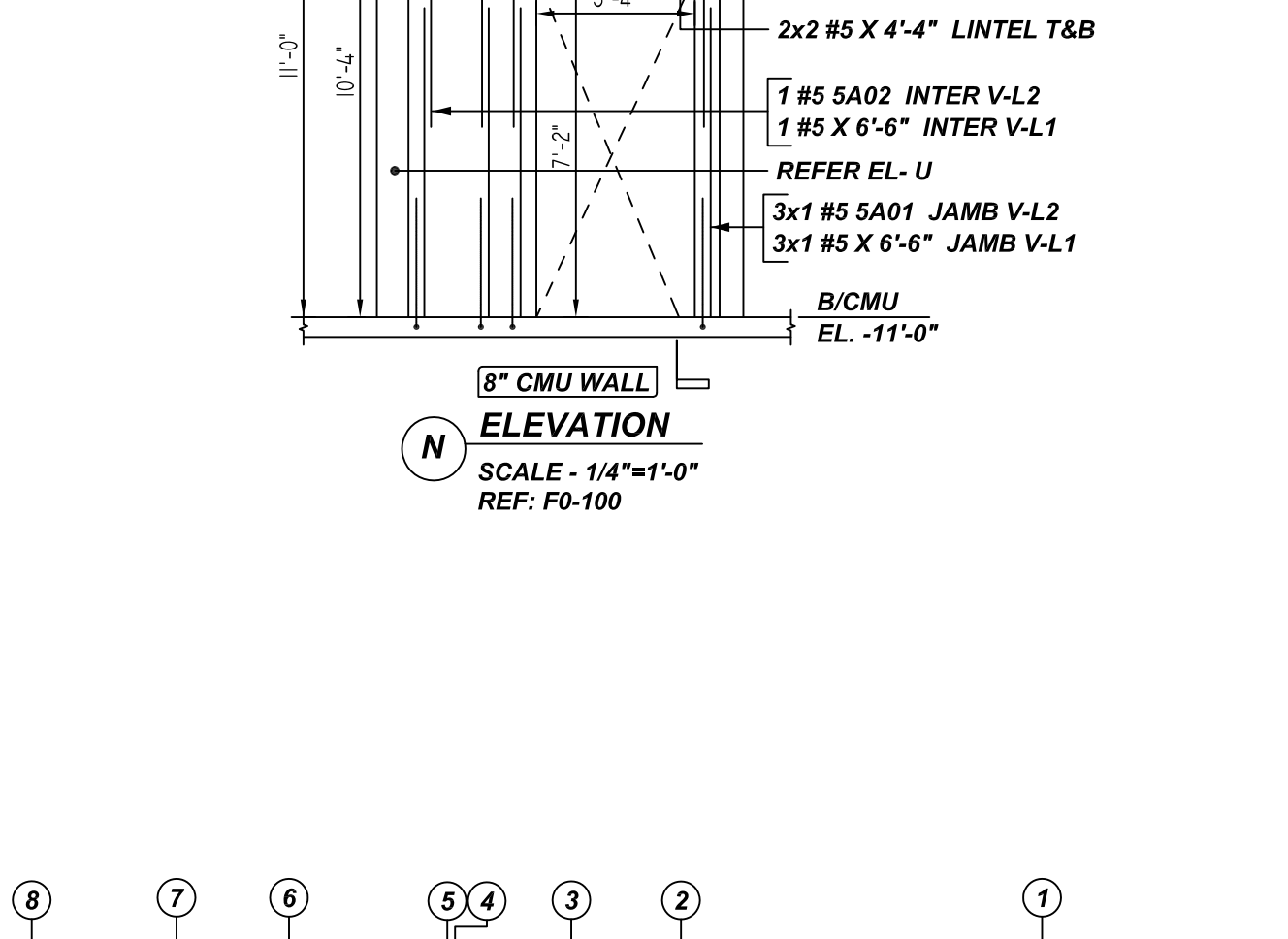
P ELEVATION
SCALE - 1/4"=1'-0"
REF: F0-100



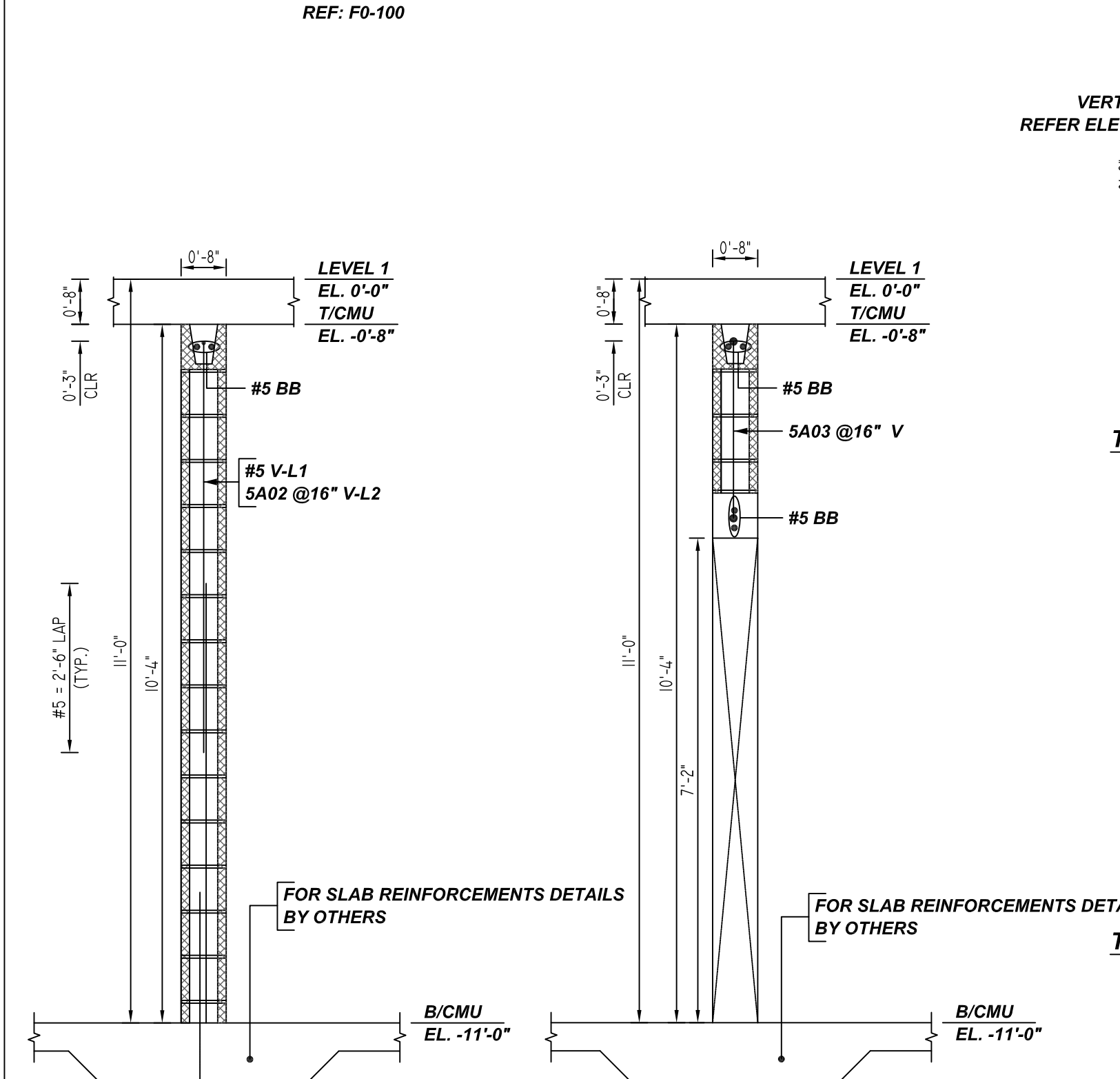
Q ELEVATION
SCALE - 1/4"=1'-0"
REF: F0-100



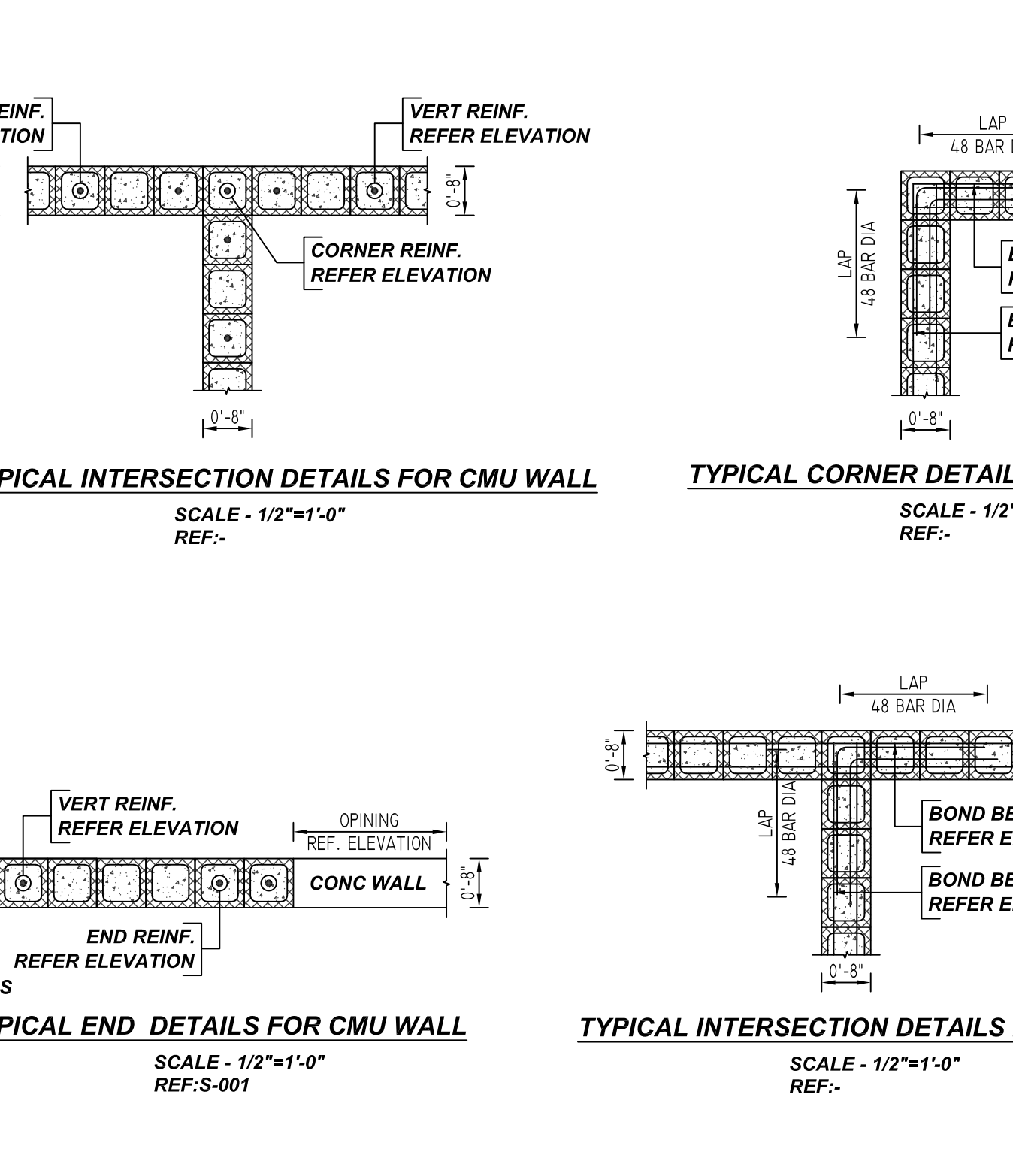
R ELEVATION
SCALE - 1/4"=1'-0"
REF: F0-100



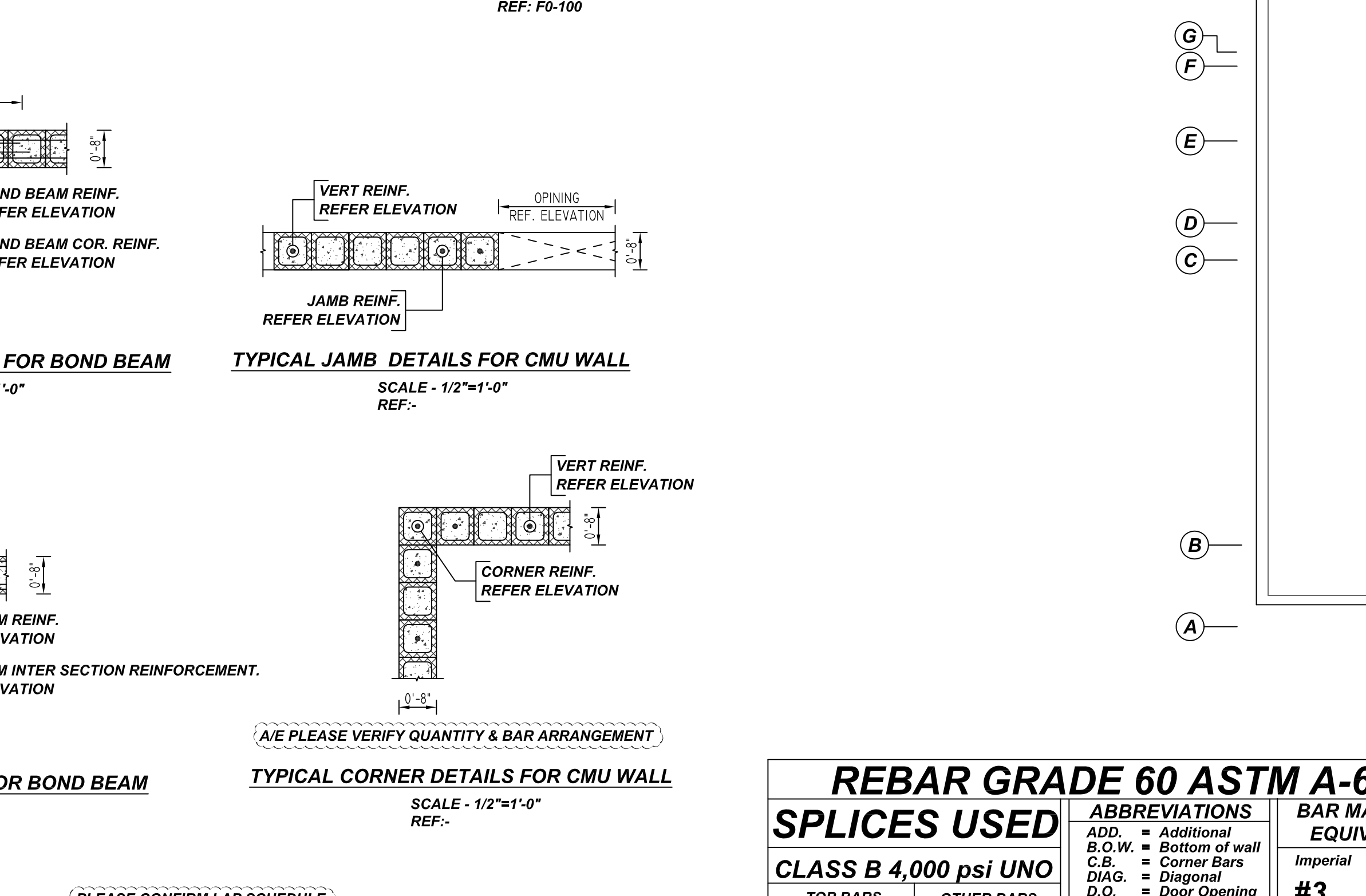
N ELEVATION
SCALE - 1/4"=1'-0"
REF: F0-100



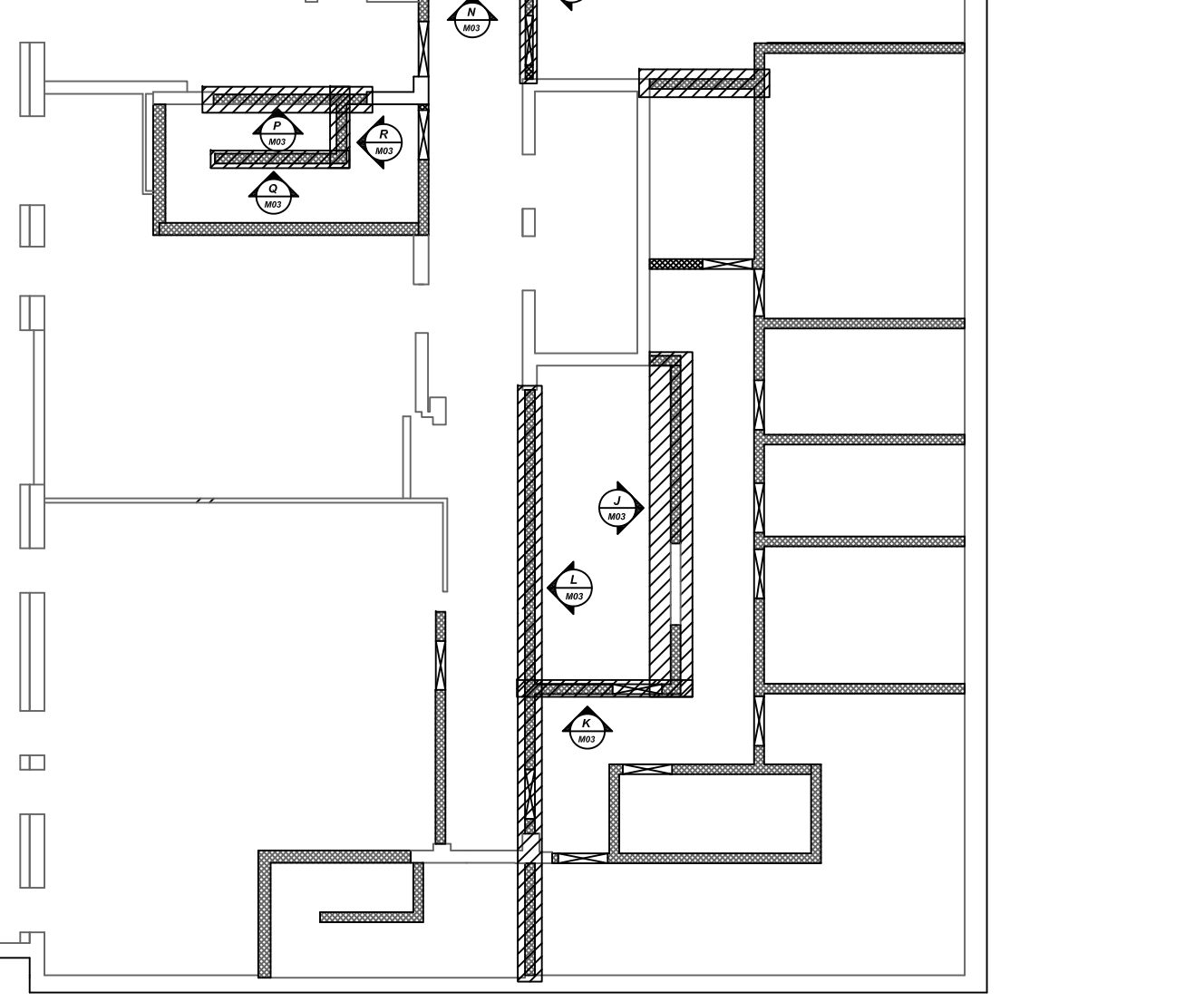
SECTION 1
SCALE - 1/2"=1'-0"
REF: F0-100, F0-200.00 & A-100.00



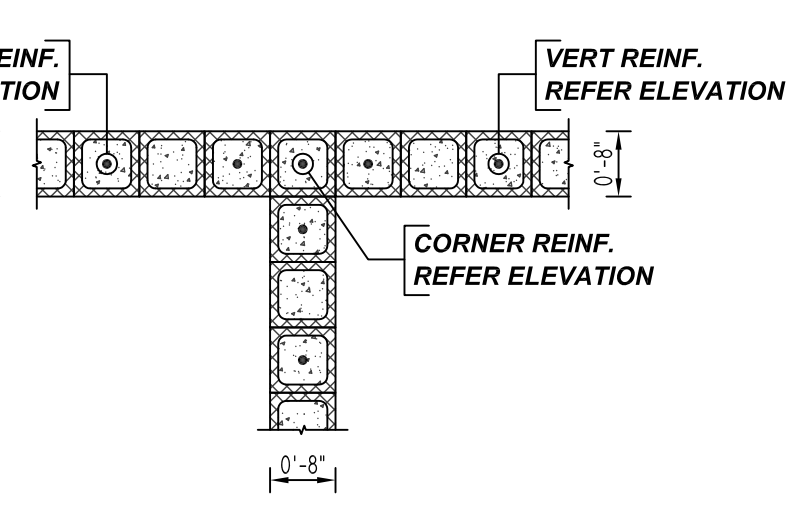
SECTION 2
SCALE - 1/2"=1'-0"
REF: F0-100, F0-200.00 & A-100.00



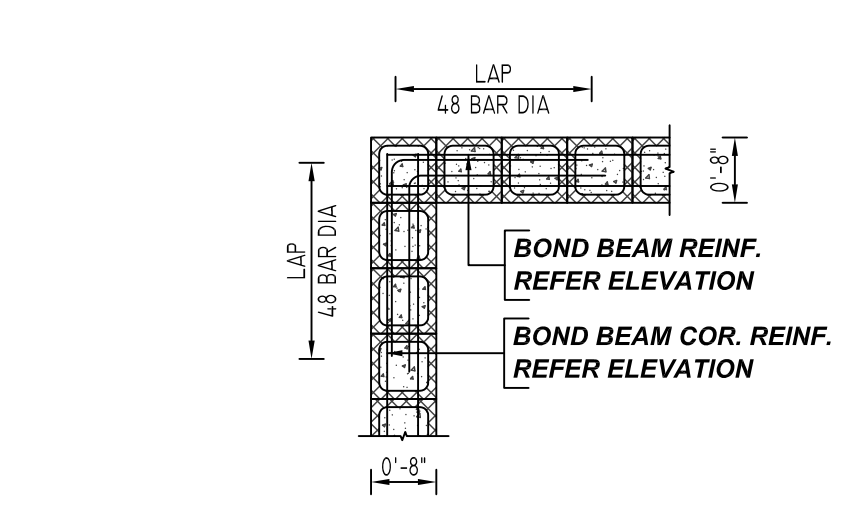
TYPICAL END DETAILS FOR CMU WALL
SCALE - 1/2"=1'-0"
REF: S-001



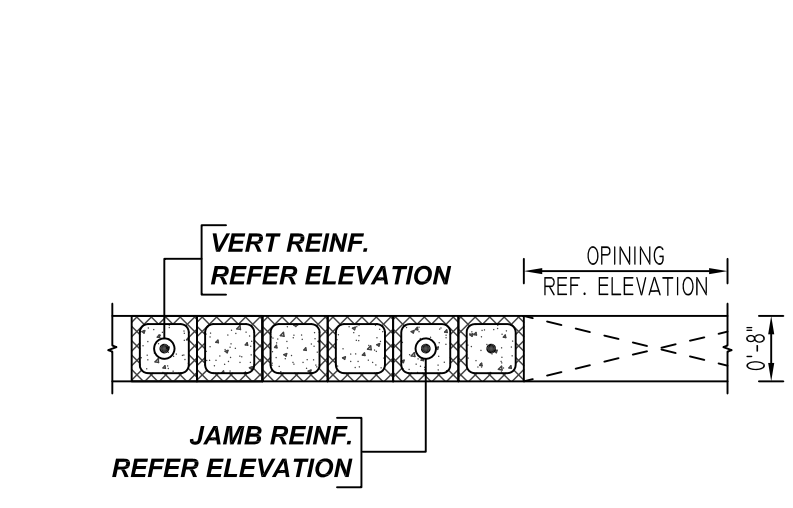
CMU WALL KEY PLAN



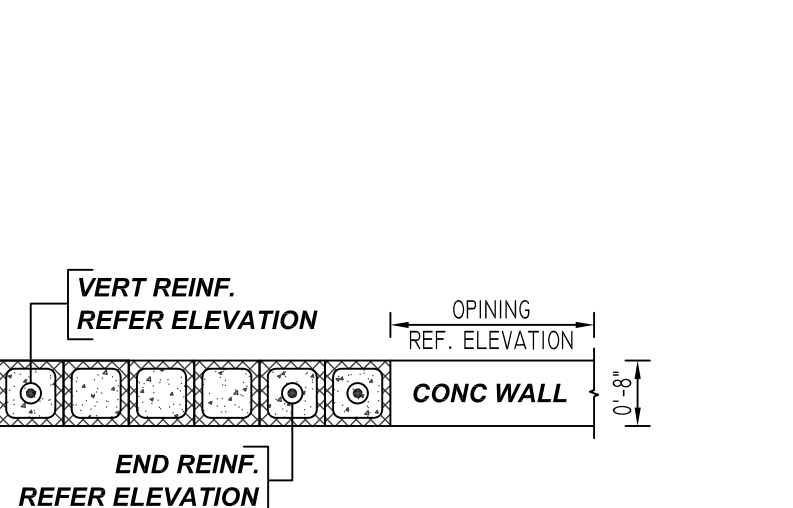
TYPICAL INTERSECTION DETAILS FOR CMU WALL
SCALE - 1/2"=1'-0"
REF:-



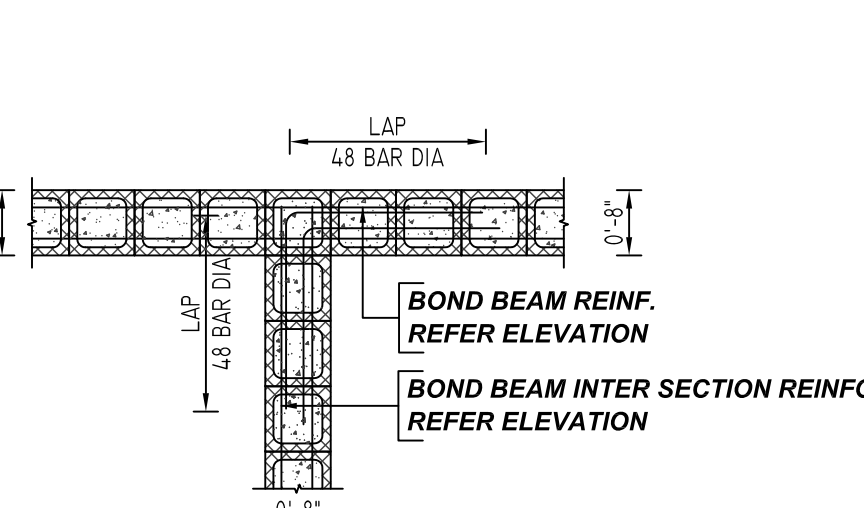
TYPICAL CORNER DETAILS FOR BOND BEAM
SCALE - 1/2"=1'-0"
REF:-



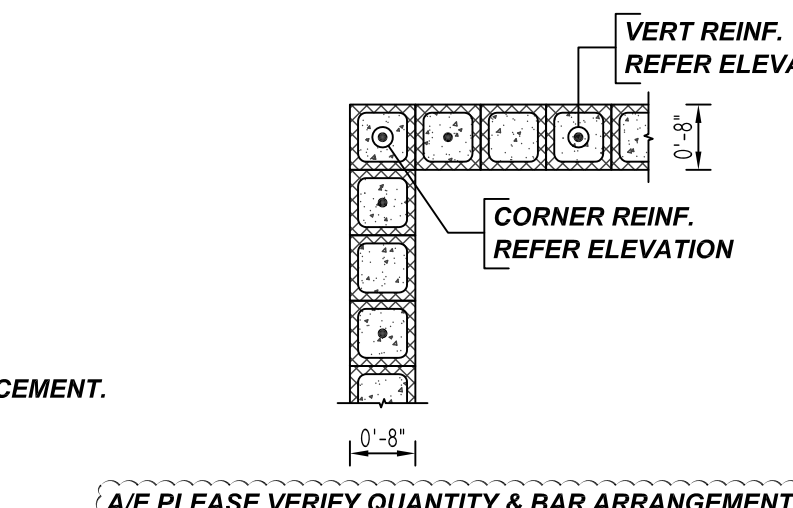
TYPICAL JAMB DETAILS FOR CMU WALL
SCALE - 1/2"=1'-0"
REF:-



TYPICAL END DETAILS FOR CMU WALL
SCALE - 1/2"=1'-0"
REF: S-001

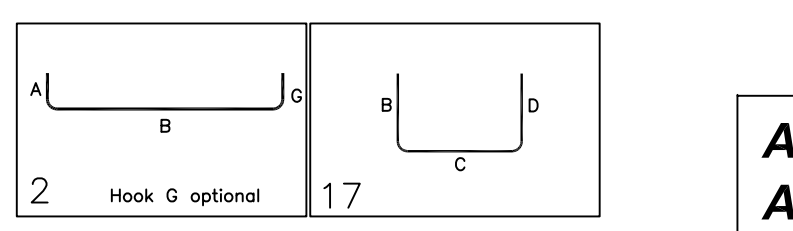


TYPICAL INTERSECTION DETAILS FOR BOND BEAM
SCALE - 1/2"=1'-0"
REF:-



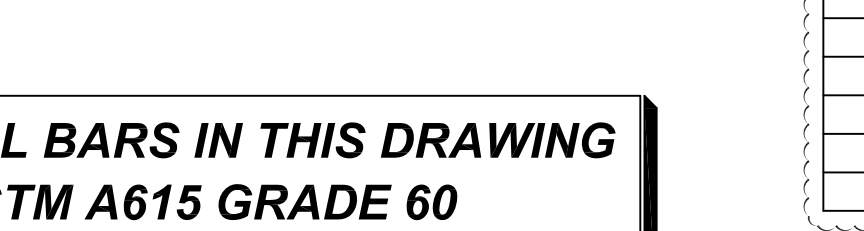
TYPICAL CORNER DETAILS FOR CMU WALL
SCALE - 1/2"=1'-0"
REF:-

Bar Mark	Qty	Size	Total Length	Type	X	Y	Z	BONDING DETAILS	W	V	U	T	S	R	Q	P	O	N	M	L	K	J	I	H	G	F	E	D	C	B	A		
5A01	52	#5	6'-11"	2	0'-10"	6'-1"																											
5A02	56	#5	6'-8"	2	0'-7"	6'-1"																											
5A03	12	#5	4'-4"	2	0'-10"	2'-8"																											
5A05	14	#5	5'-0"	17		2'-6"	2'-6"																										



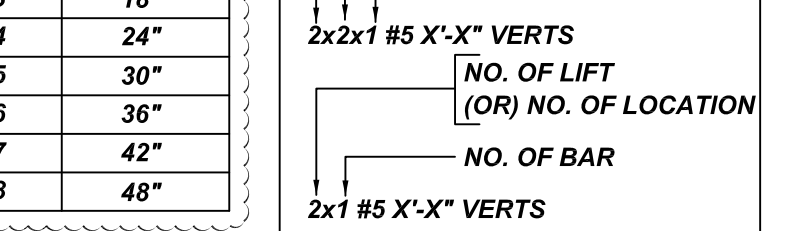
PLEASE CONFIRM LAP SCHEDULE WE ASSUME

SIZE	48 @ LAP
#3	18"
#4	24"
#5	30"
#6	36"
#7	42"
#8	48"



FOR CMU WALL

SIZE	48 @ LAP
#3	18"
#4	24"
#5	30"
#6	36"
#7	42"
#8	48"



REBAR GRADE 60 ASTM A-615

SPLICES USED

CLASS B 4,000 psi UNO

TOP BARS	OTHER BARS
#3 24"	#3 19"
#4 32"	#4 25"
#5 40"	#5 31"
#6 48"	#6 37"
#7 70"	#7 54"
#8 80"	#8 62"
#9 91"	#9 70"
#10 102"	#10 79"
#11 113"	#11 87"
#14	#14

ABBREVIATIONS		BAR MARK SIZE EQUIVALENT	
ADD.	= Additional	Imperial	Soft Metric
B.O.W.	= Bottom of wall	#3	#10
C.B.	= Corner Bars	#4	#13
DIAG.	= Diagonal	#5	#16
D.O.	= Door Opening	#6	#19
DWLS.	= Dowels	#7	#22
E.F.	= Each Face	#8	#25
E.S.	= Each Side	#9	#29
E.W.	= Each Way	#10	#32
FTG.	= Footing	#11	#36
F.F.	= Far Face		
HORIZ.	= Horizontal		
I.F.	= Inside Face		
INTERS.	= Intersection		
L.W.	= Long Way		
N.F.	= Near Face		
O.F.	= Outside Face		
S.W.	= Short Way		
T&B	= Top & Bottom		
T.O.W.	= Top of Wall		
Trans.	= Transverse		
VERT.	= Vertical		

778 MYRTLE AVENUE
CELLAR LEVEL TO LEVEL 1 CMU WALL REINFORCEMENT DETAILS
IMPACCT, BROOKLYN

CUSTOMER: -
DESIGNER: -

REV NO	DATE	APPROVAL	SENT FOR	REV NO	DATE	SENT FOR
0	02.08.22					

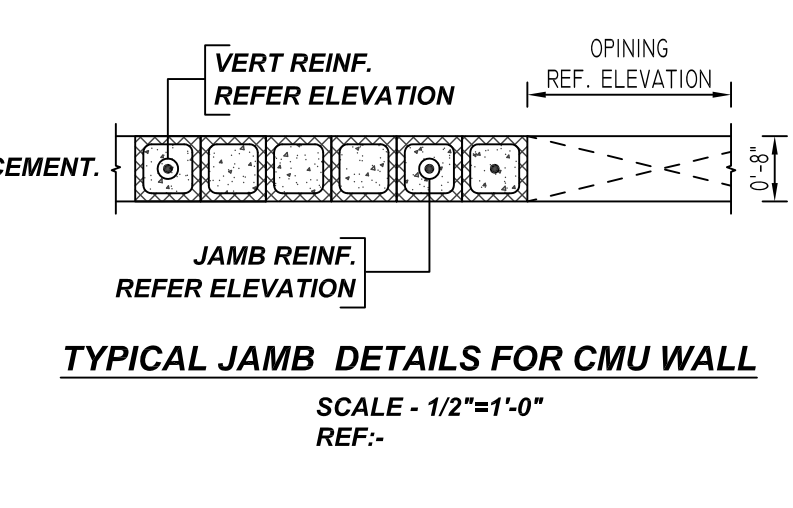
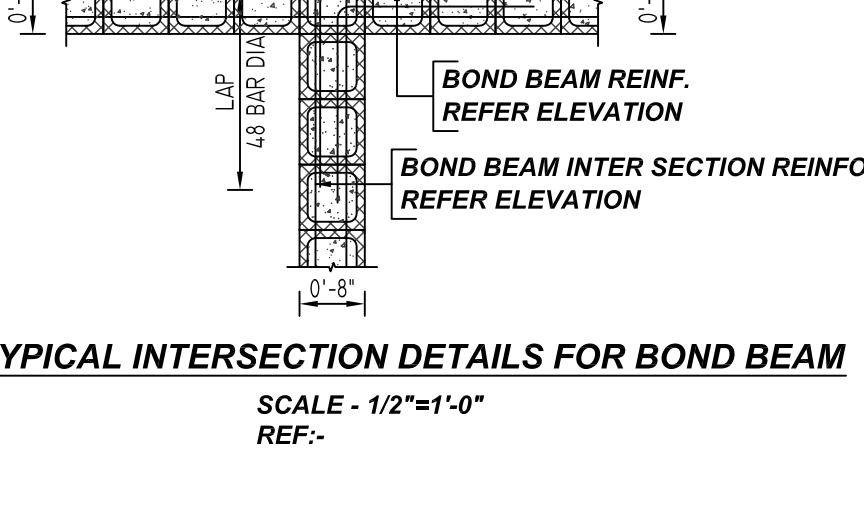
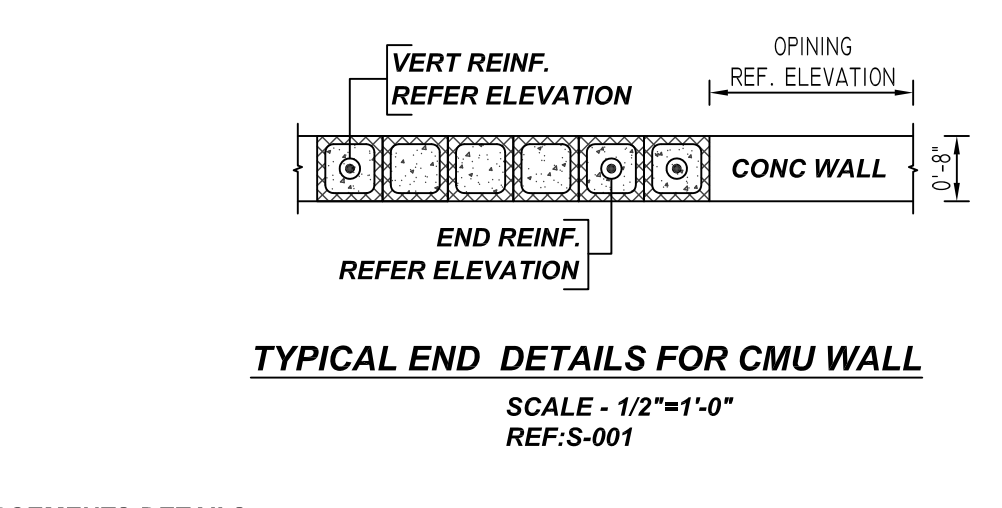
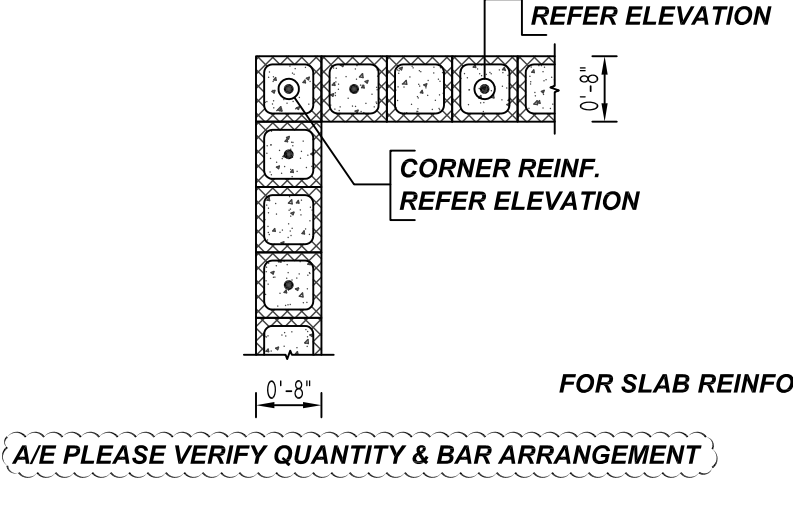
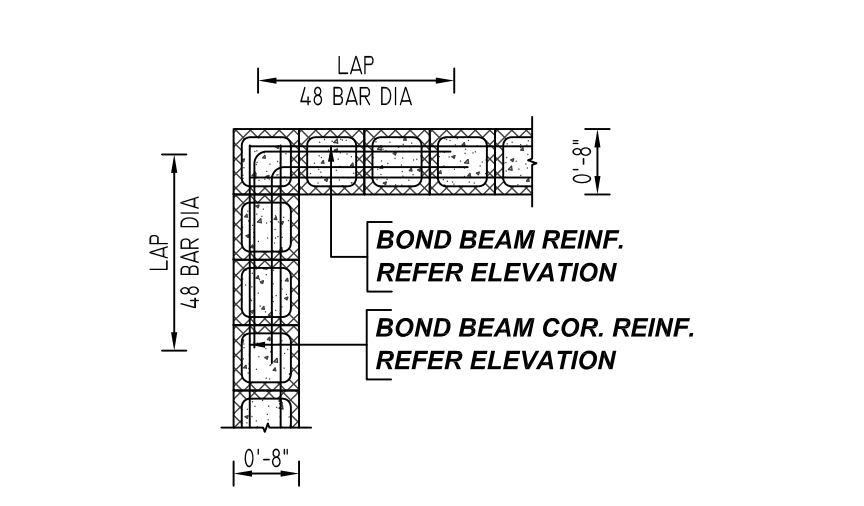
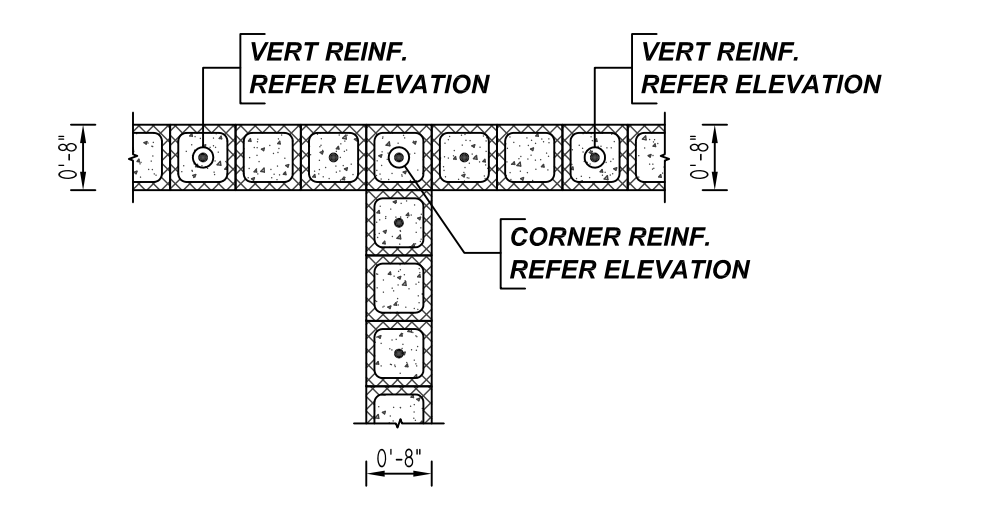
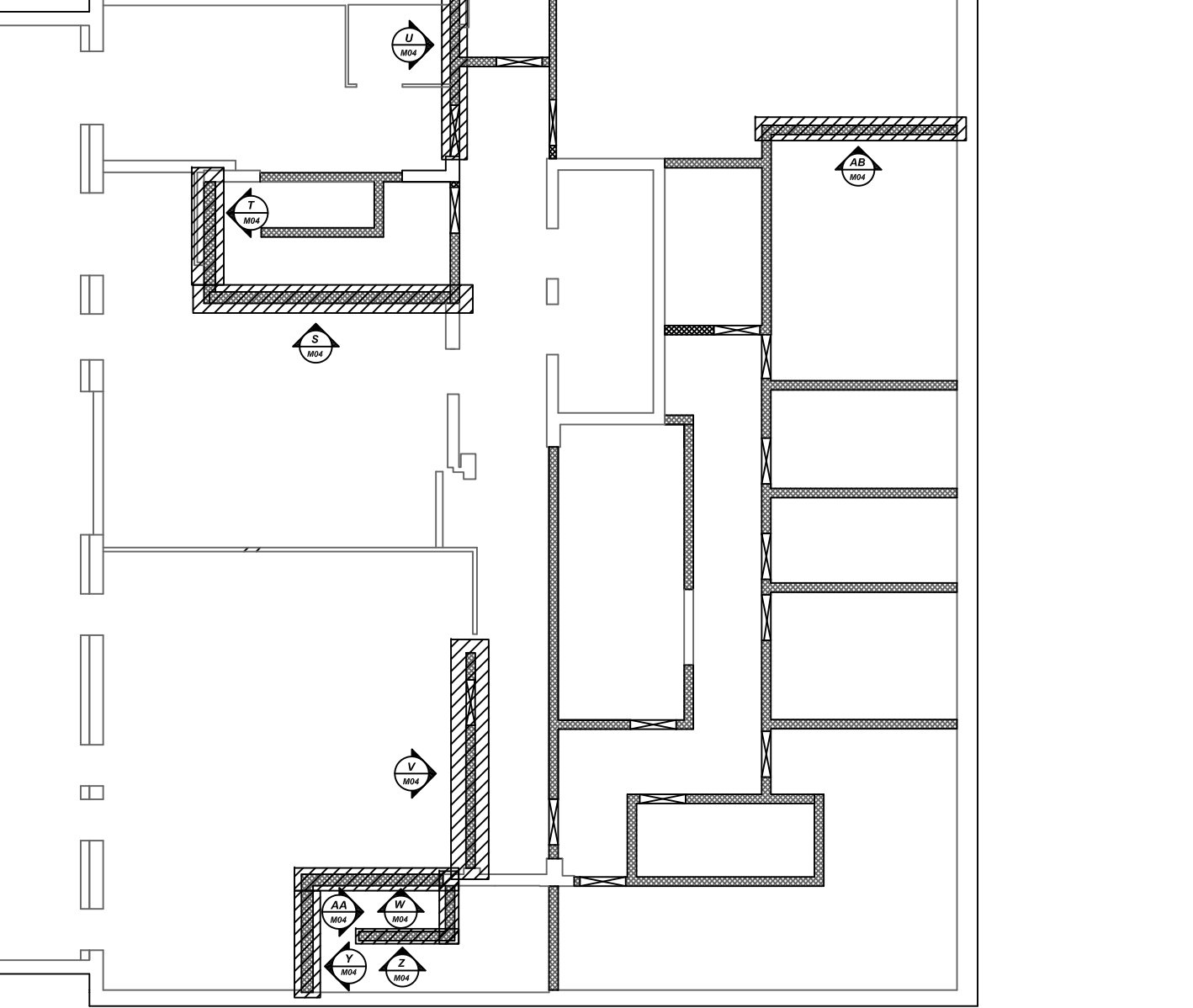
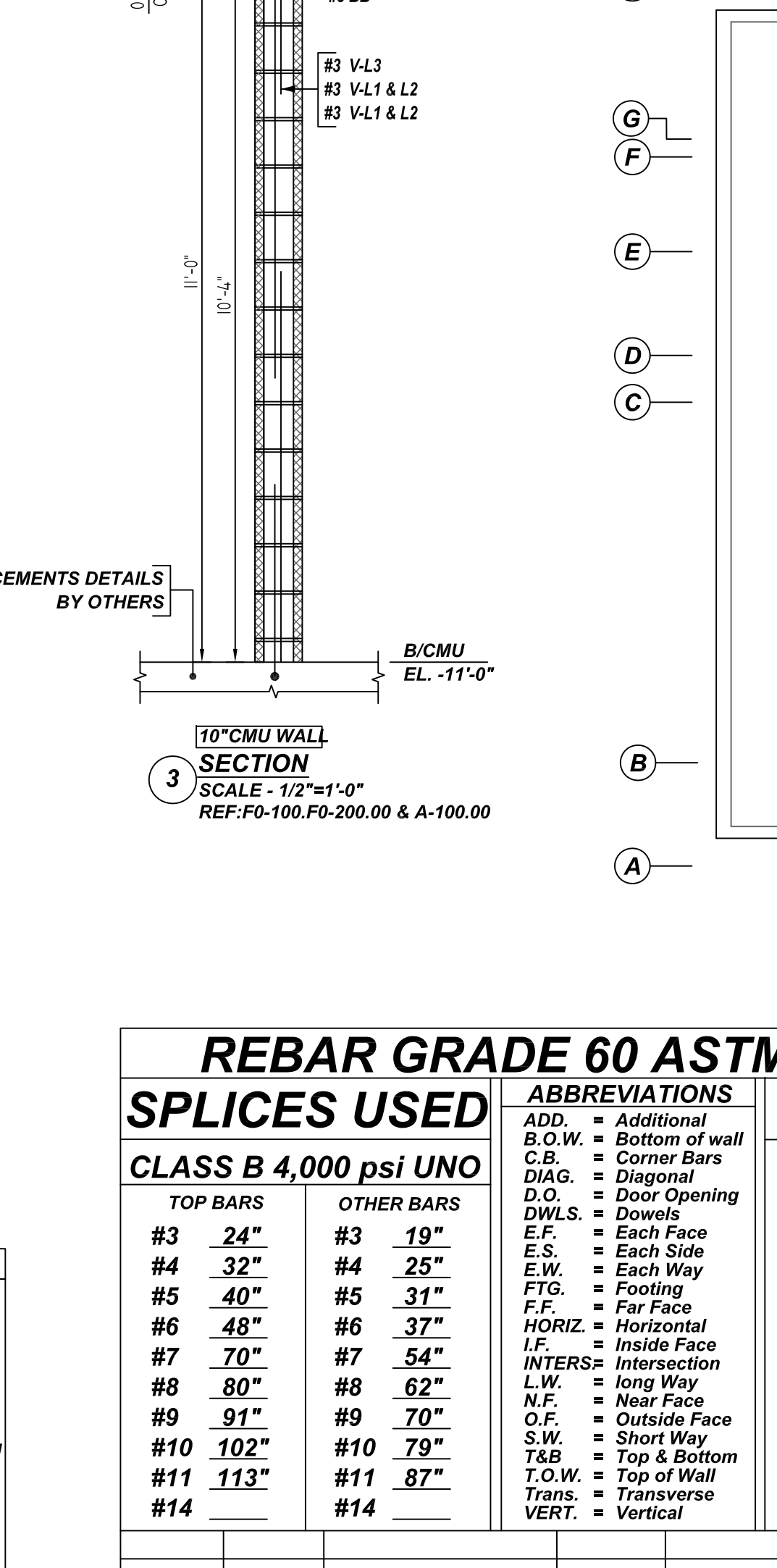
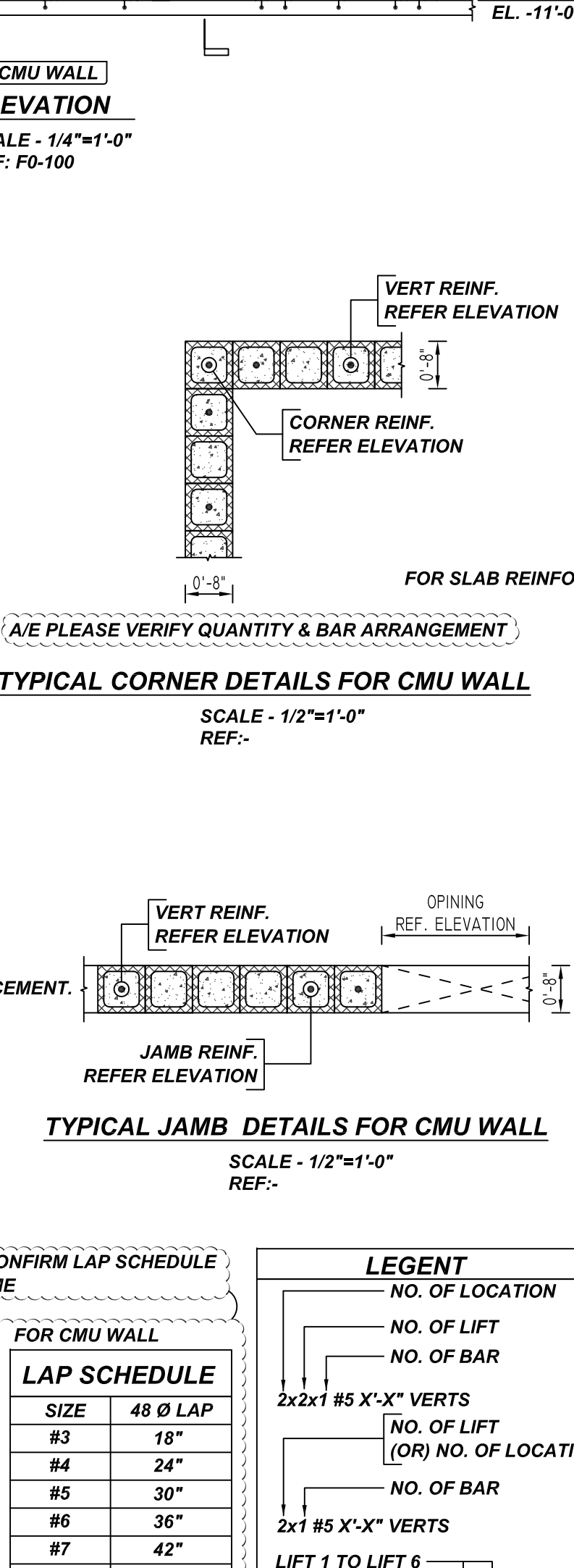
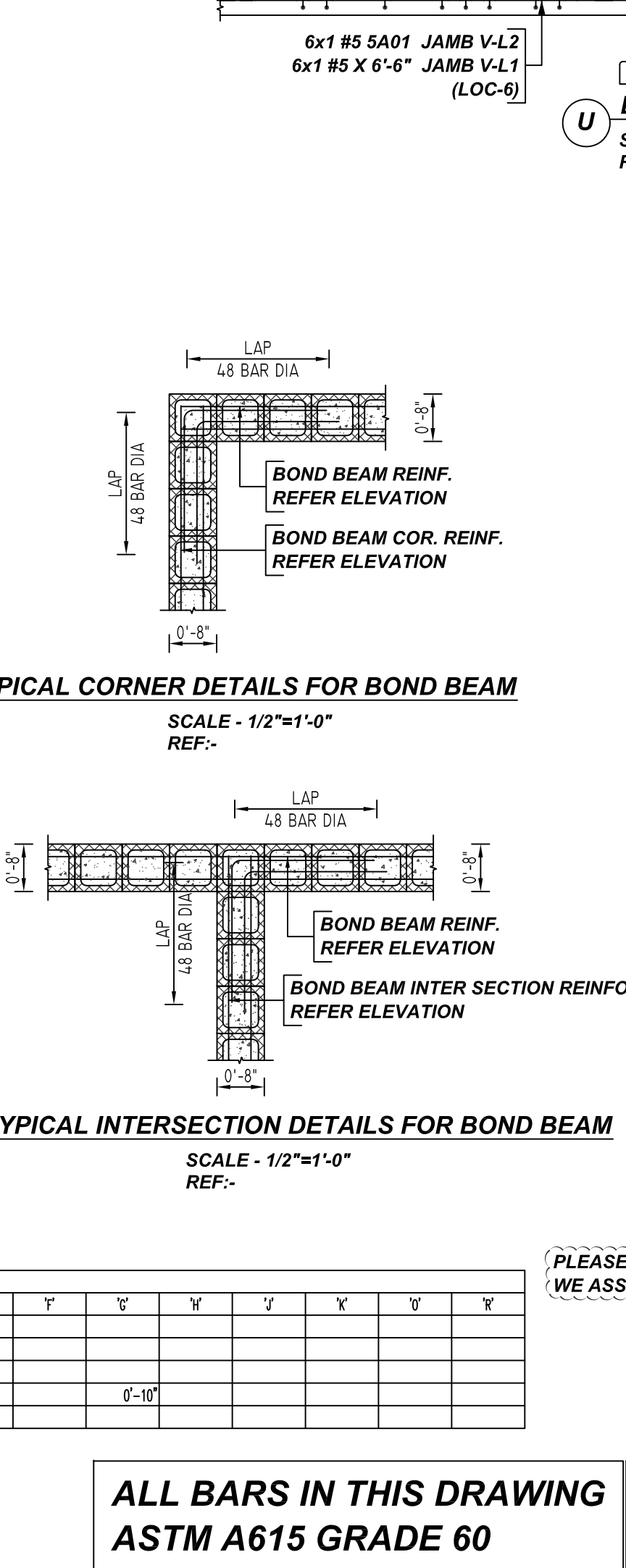
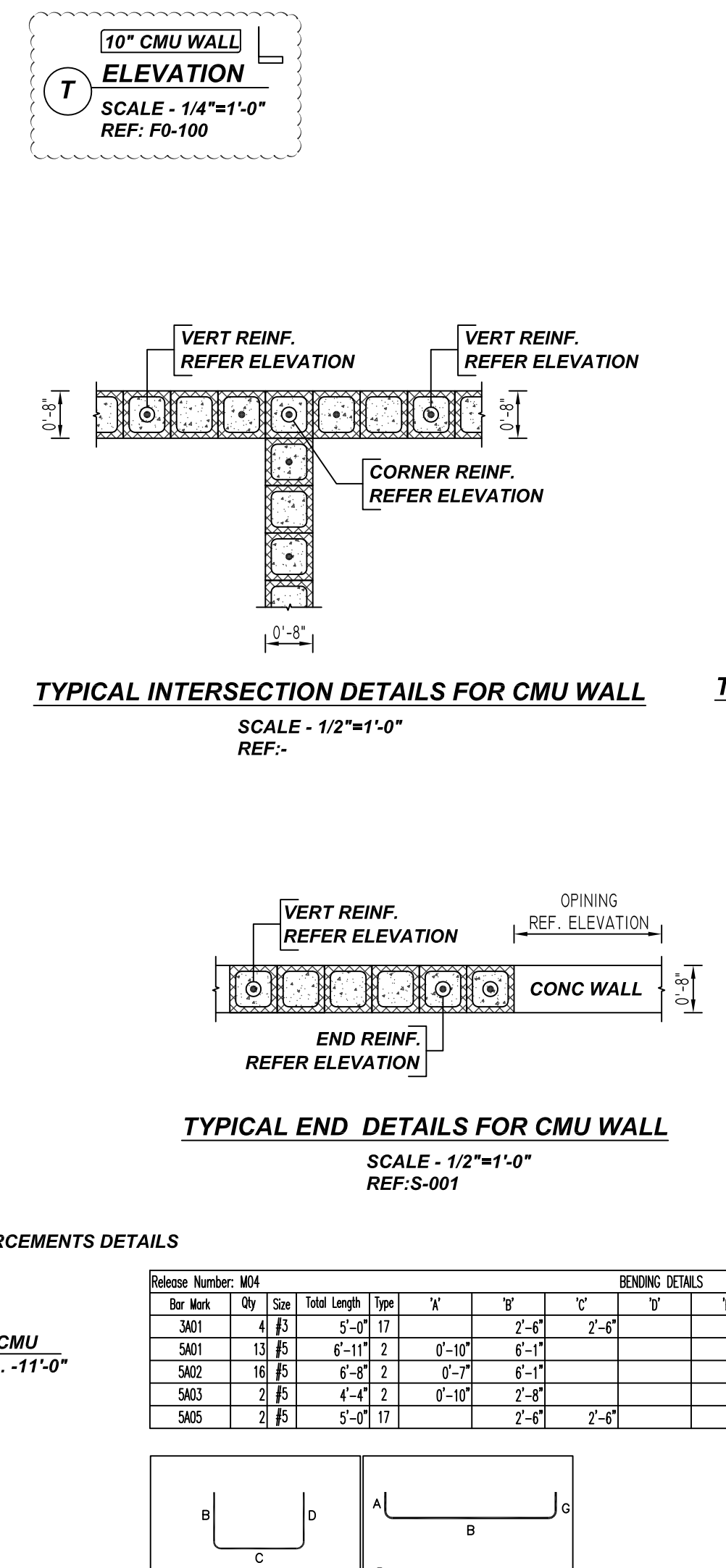
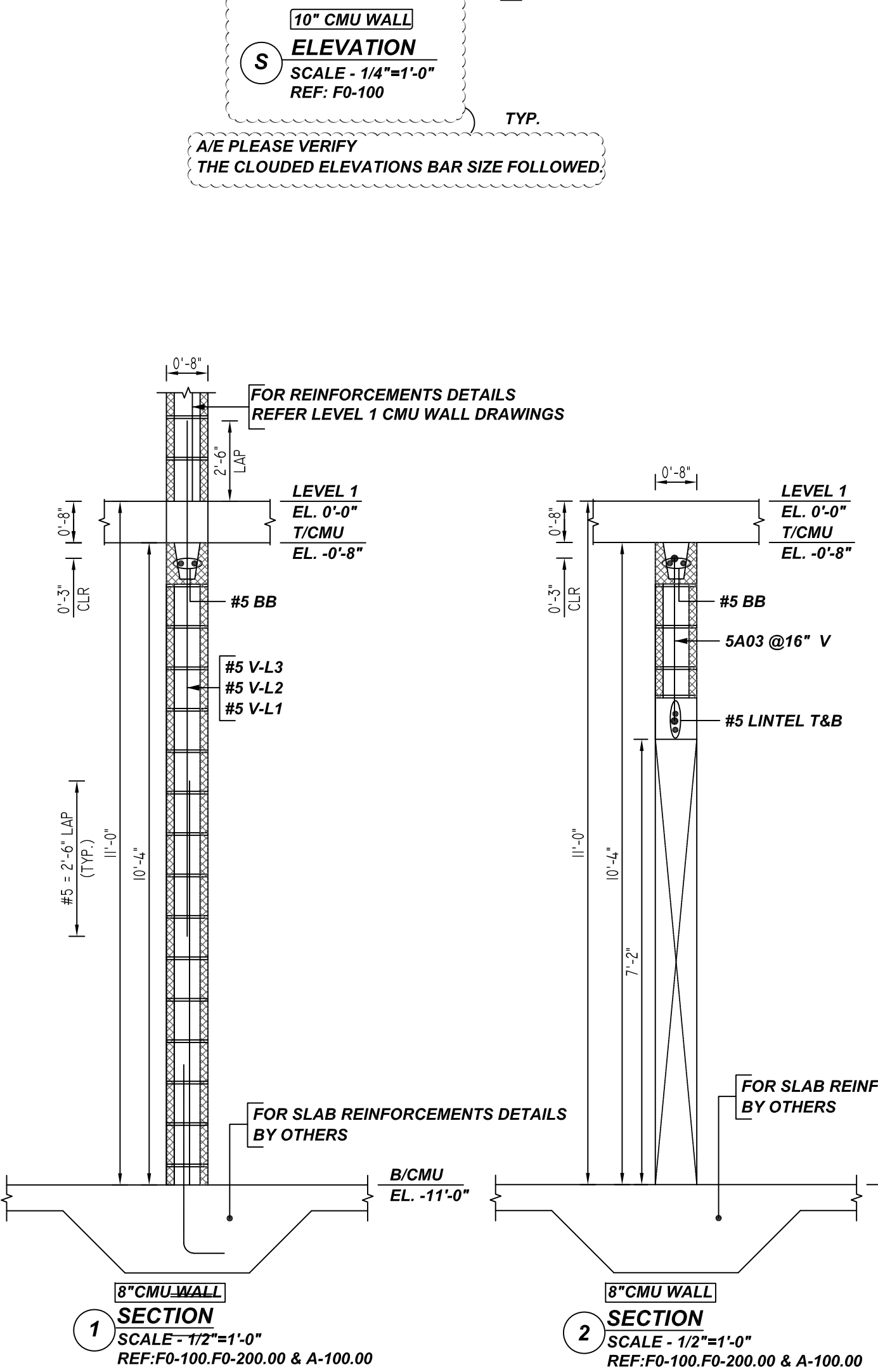
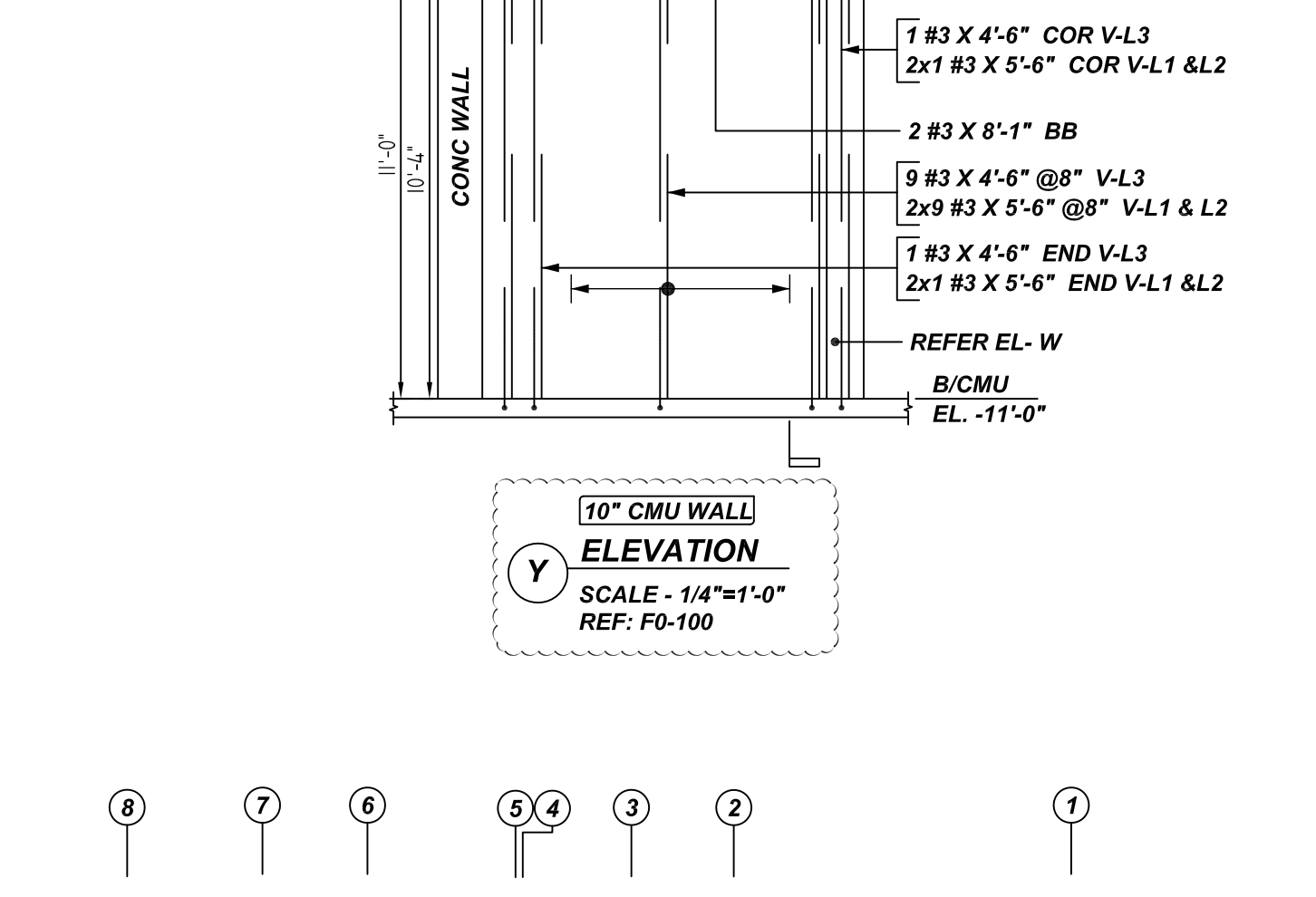
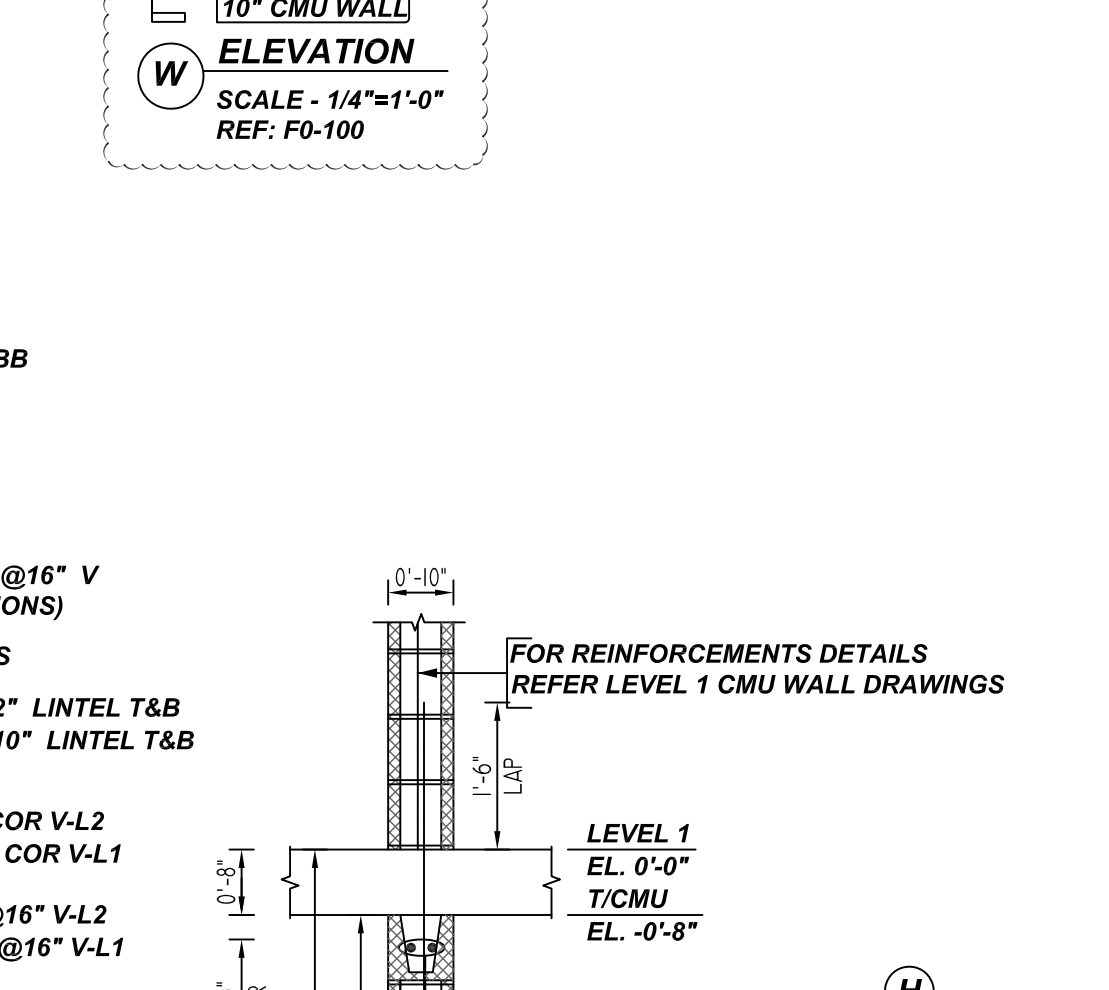
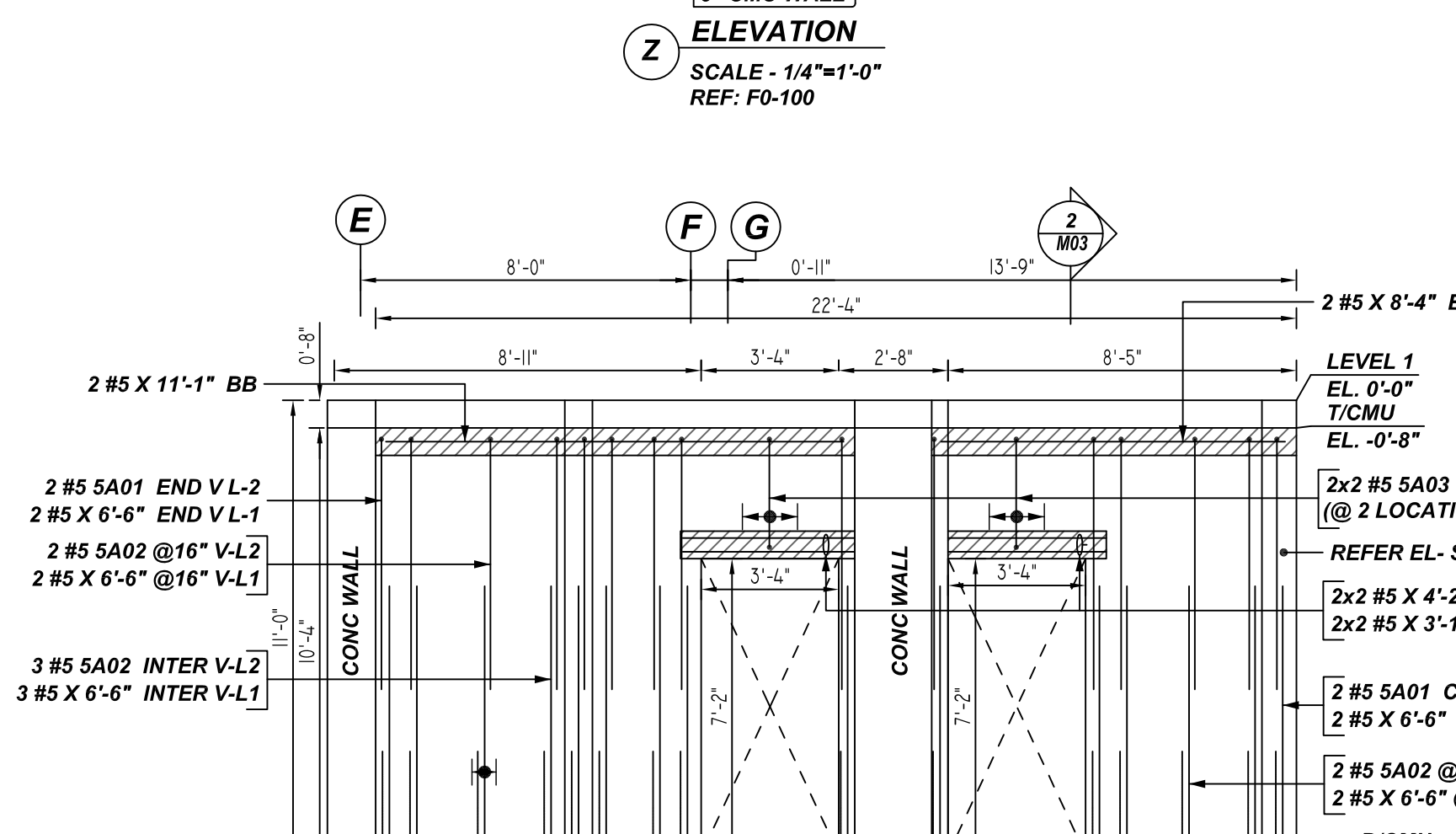
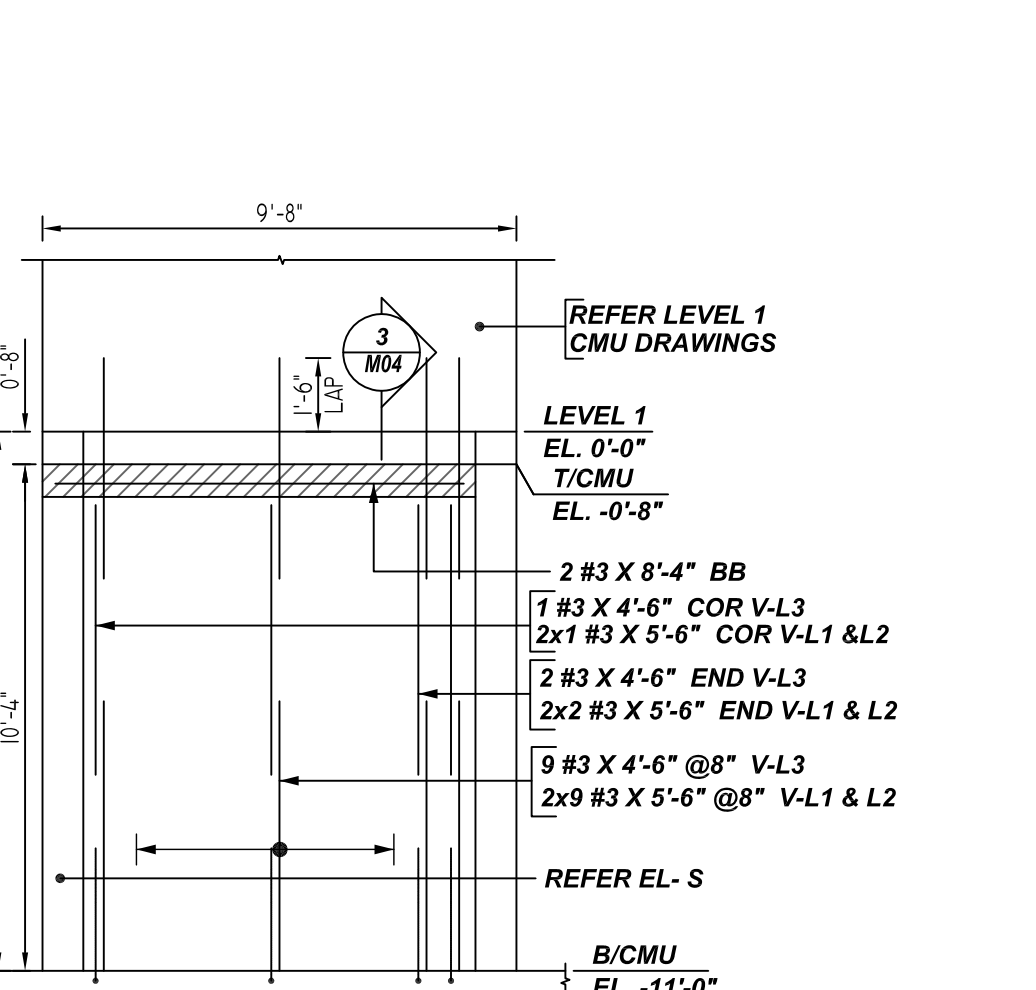
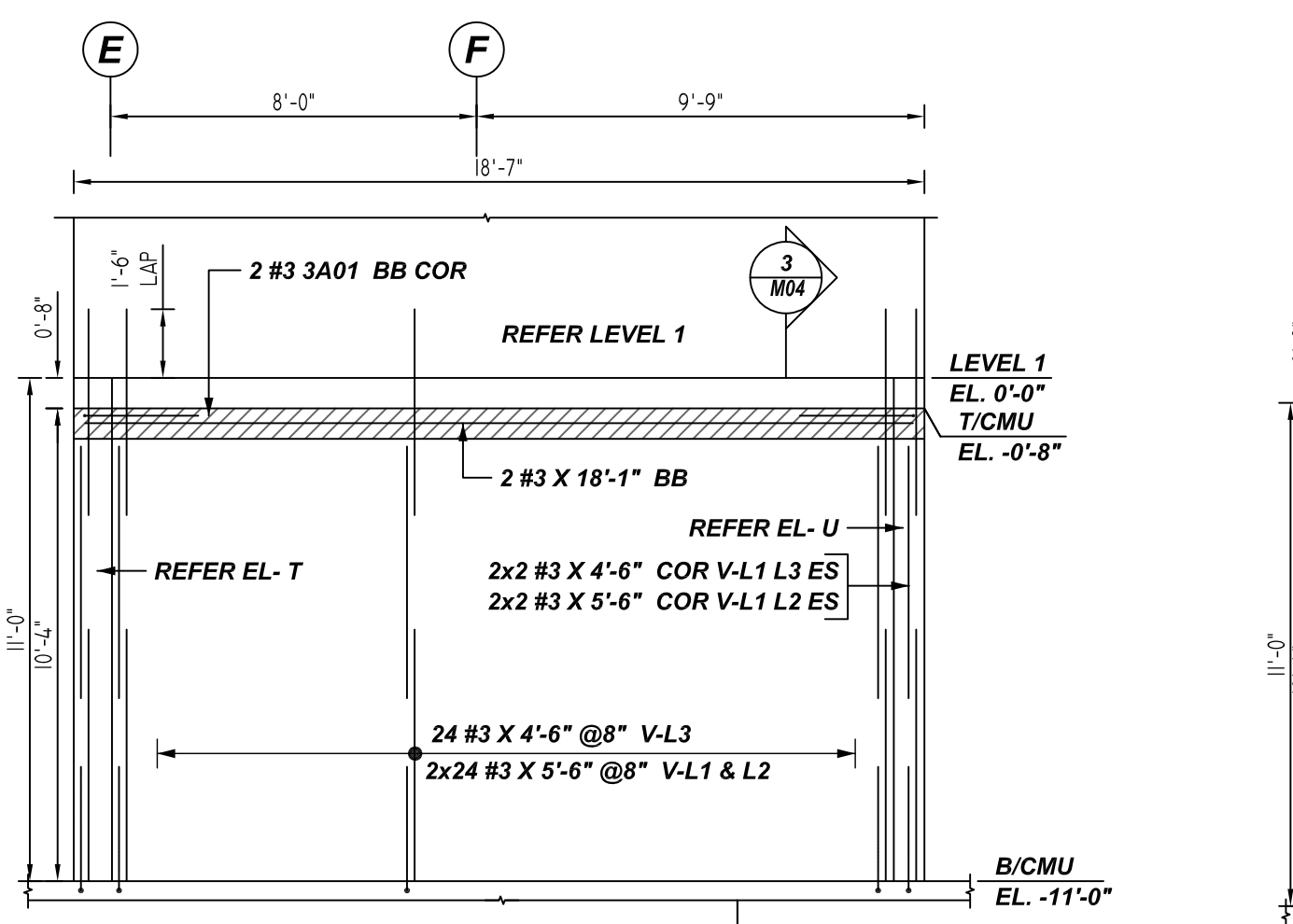
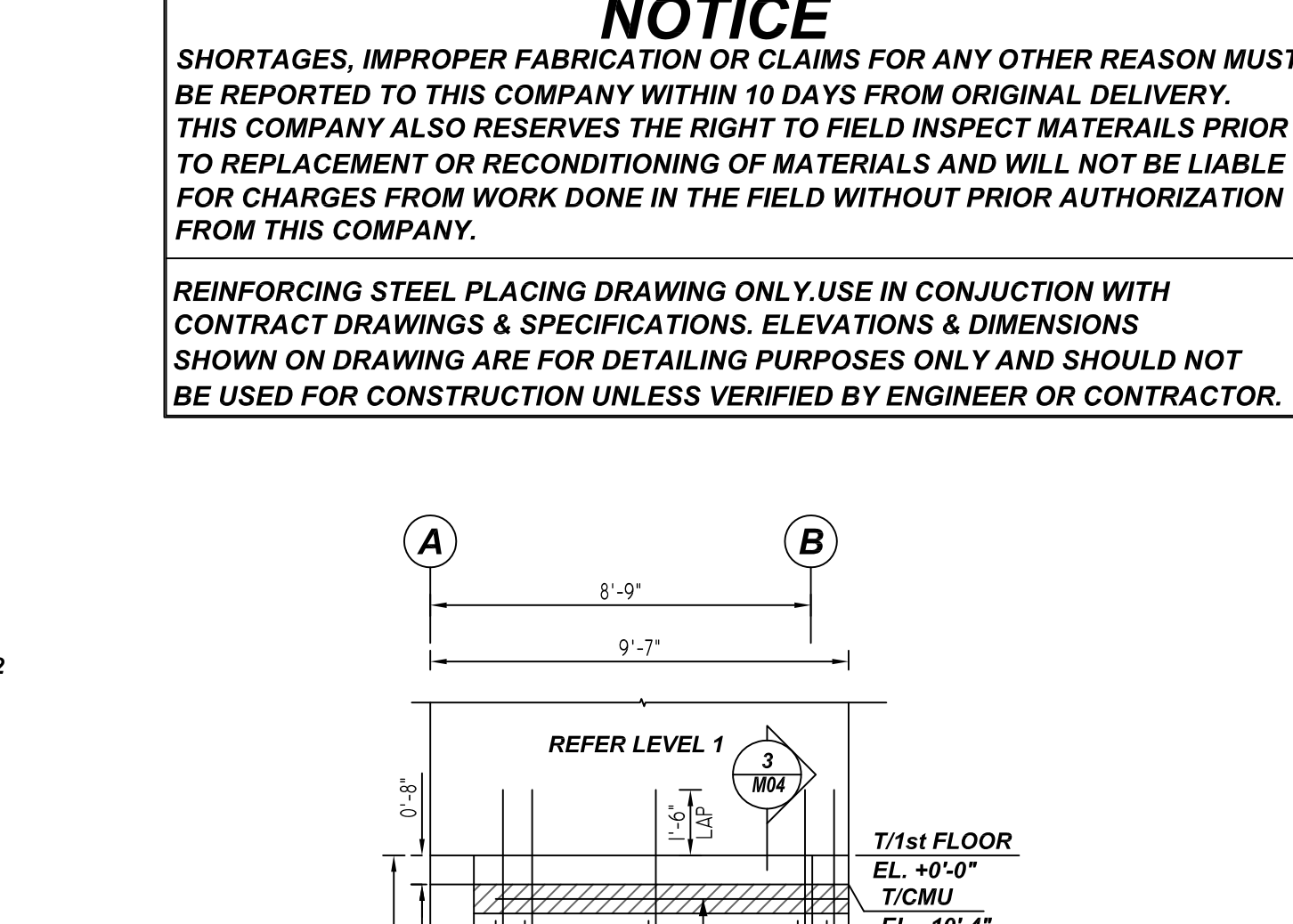
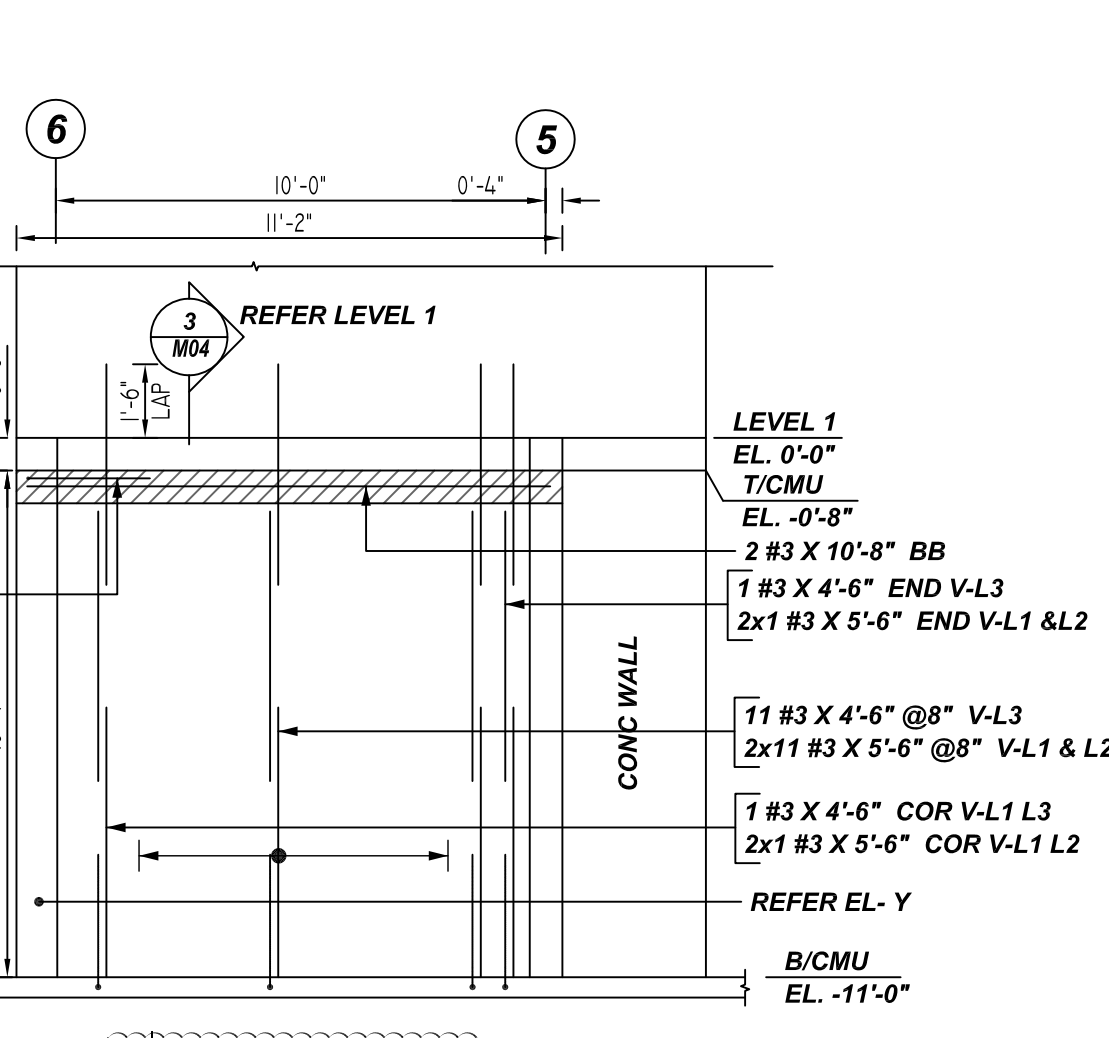
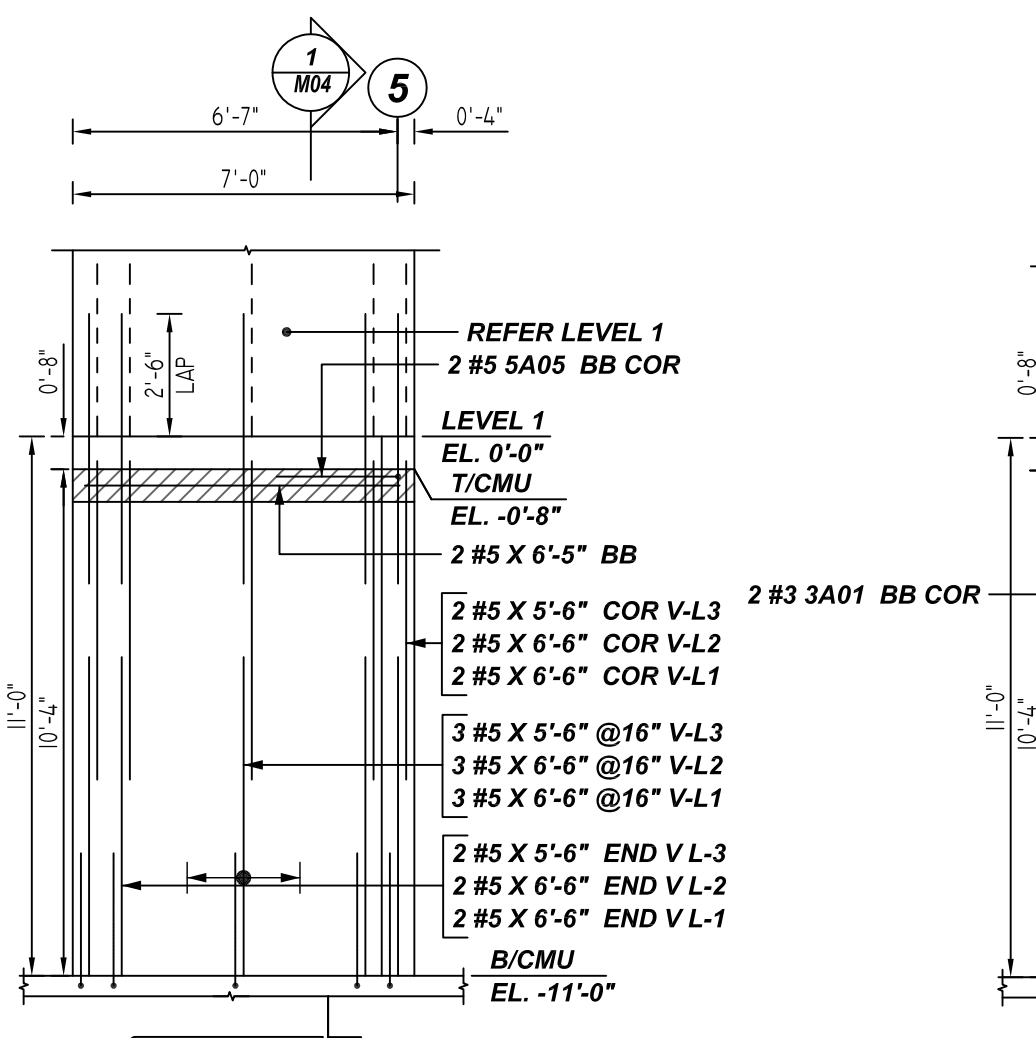
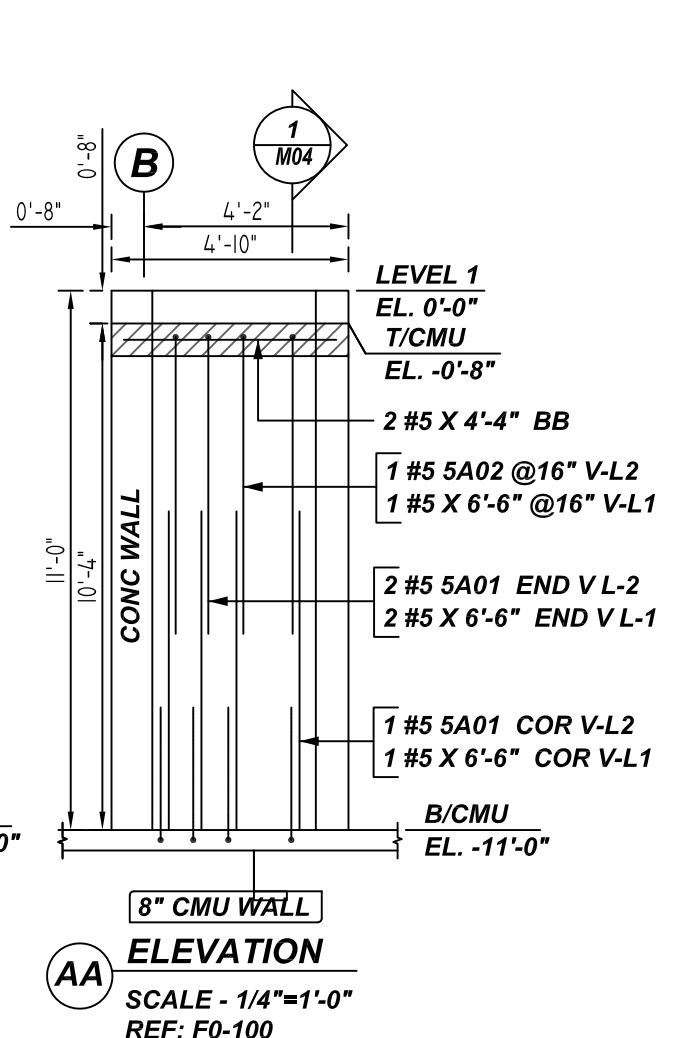
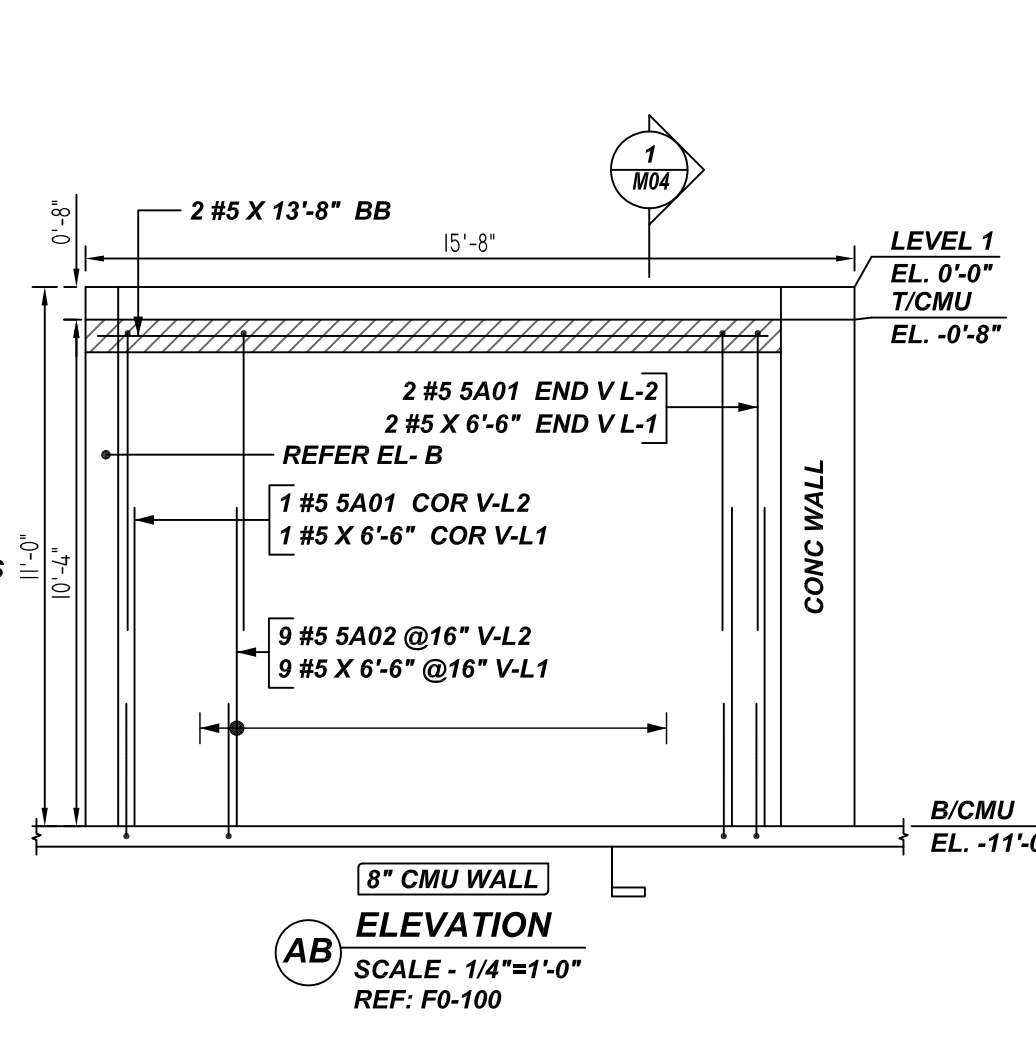
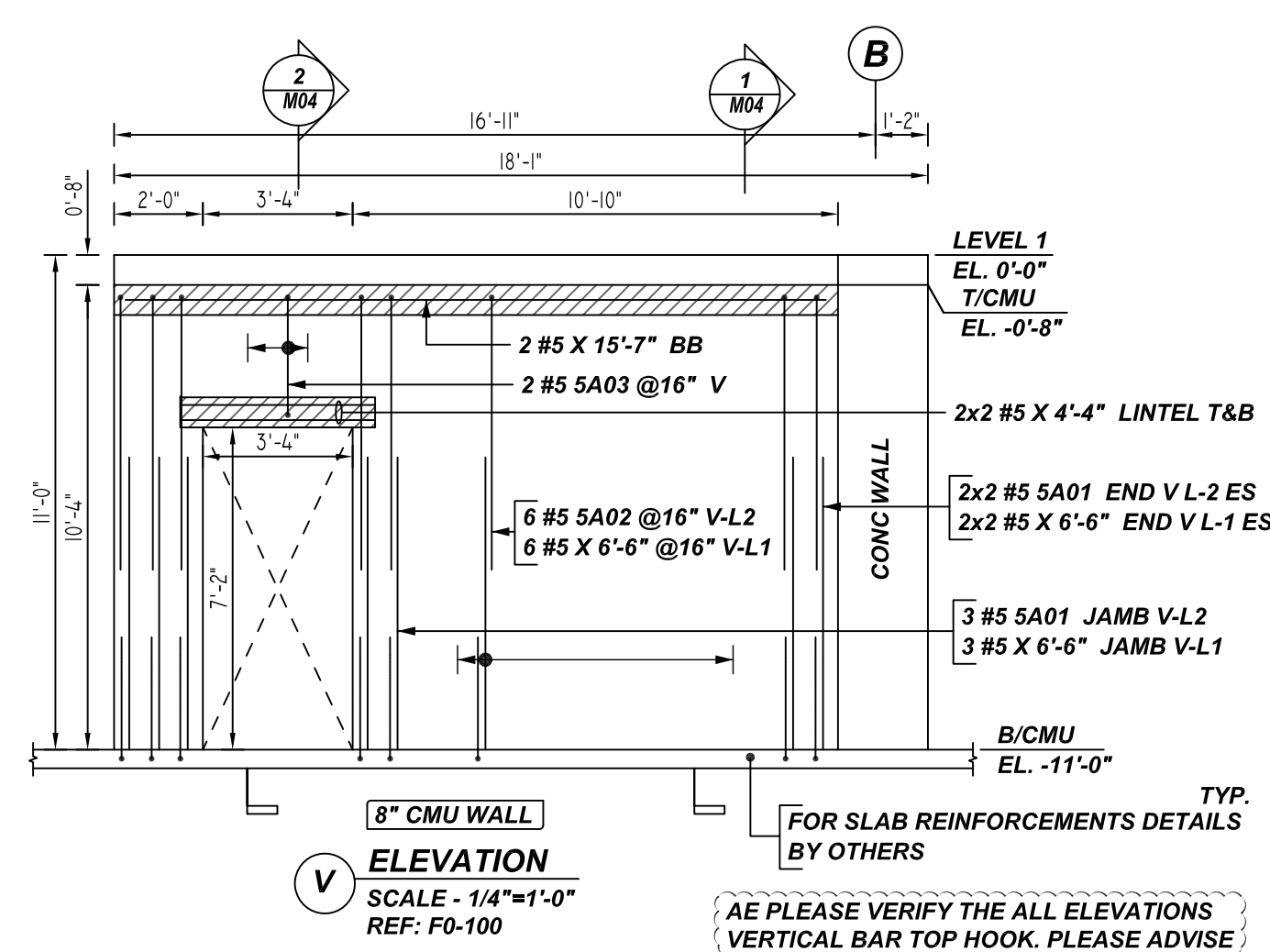
DRAWN BY	DATE	JOB NO	SHEET NO.
SM	02.08.22	M922P085	M03

**ALL BARS IN THIS DRAWING
ASTM A615 GRADE 60
BLACK UNCOATED**

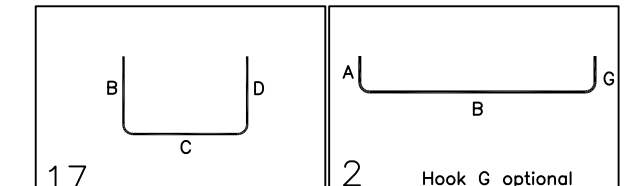
NOTICE

SHORTAGES, IMPROPER FABRICATION OR CLAIMS FOR ANY OTHER REASON MUST BE REPORTED TO THIS COMPANY WITHIN 10 DAYS FROM ORIGINAL DELIVERY. THIS COMPANY ALSO RESERVES THE RIGHT TO FIELD INSPECT MATERIALS PRIOR TO REPLACEMENT OR RECONDITIONING OF MATERIALS AND WILL NOT BE LIABLE FOR CHARGES FROM WORK DONE IN THE FIELD WITHOUT PRIOR AUTHORIZATION FROM THIS COMPANY.

REINFORCING STEEL PLACING DRAWING ONLY. USE IN CONJUNCTION WITH CONTRACT DRAWINGS & SPECIFICATIONS. ELEVATIONS & DIMENSIONS SHOWN ON DRAWING ARE FOR DETAILING PURPOSES ONLY AND SHOULD NOT BE USED FOR CONSTRUCTION UNLESS VERIFIED BY ENGINEER OR CONTRACTOR.



Rebar Number	M04	Qty	Size	Total Length	Type	X	Y	Z	BENDING DETAILS
5A01	4	#5	5'-0"	17		2'-6"	2'-6"		
5A01	13	#5	6'-11"	2		0'-10"	6'-1"		
5A02	16	#5	6'-5"	2		0'-10"	6'-1"		
5A03	2	#5	4'-4"	2		0'-10"	2'-4"		0'-10"
5A05	2	#5	5'-0"	17		2'-6"	2'-6"		



**ALL BARS IN THIS DRAWING
ASTM A615 GRADE 60
BLACK UNCOATED**

PLEASE CONFIRM LAP SCHEDULE WE ASSUME

FOR CMU WALL	LEGEND
SIZE 48 Ø LAP	NO. OF LOCATION
#3 18"	NO. OF LIFT
#4 24"	NO. OF BAR
#5 30"	NO. OF LIFT
#6 36"	(OR) NO. OF LOCATION
#7 42"	NO. OF BAR
#8 48"	

2x2x1 #5 X'-X" VERTS
LIFT 1 TO LIFT 6

2x1 #5 X'-X" VERTS
LIFT 1 TO LIFT 6

2x1 #5 6'-6" VERTS L1-L6

REBAR GRADE 60 ASTM A-615

SPLICES USED		ABBREVIATIONS	BAR MARK SIZE EQUIVALENT	
CLASS B 4,000 psi UNO		ADD. = Additional	Imperial	Soft Metric
TOP BARS		B.O.W. = Bottom of wall	#3	#10
#3 24"	#3 19"	C.B. = Corner Bars	#4	#13
#4 32"	#4 25"	DIAG. = Diagonal	#5	#16
#5 40"	#5 31"	D.O. = Door Opening	#6	#19
#6 48"	#6 37"	D.W.L.S. = Dowels	#7	#22
#7 70"	#7 54"	E.F. = Each Face	#8	#25
#8 80"	#8 62"	E.S. = Each Side	#9	#29
#9 91"	#9 70"	E.W. = Each Way	#10	#32
#10 102"	#10 79"	FTG. = Footing	#11	#36
#11 113"	#11 87"	F.F. = Far Face		
#14	#14	HORIZ. = Horizontal		
		I.F. = Inside Face		
		INTERS. = Intersection		
		L.W. = Long Way		
		N.F. = Near Face		
		O.F. = Outside Face		
		S.W. = Short Way		
		T&B = Top & Bottom		
		T.O.W. = Top of Wall		
		Trans. = Transverse		
		VERT. = Vertical		

778 MYRTLE AVENUE

CELLAR LEVEL TO LEVEL 1 CMU WALL REINFORCEMENT DETAILS

IMPACCT, BROOKLYN

CUSTOMER: -
DESIGNER: -

REV NO	DATE	APPROVAL	REV NO	DATE	SENT FOR	DRAWN BY	DATE	JOB NO	SHEET NO.
0	02.08.22	APPROVAL				SM	02.08.22	M922P085	M04