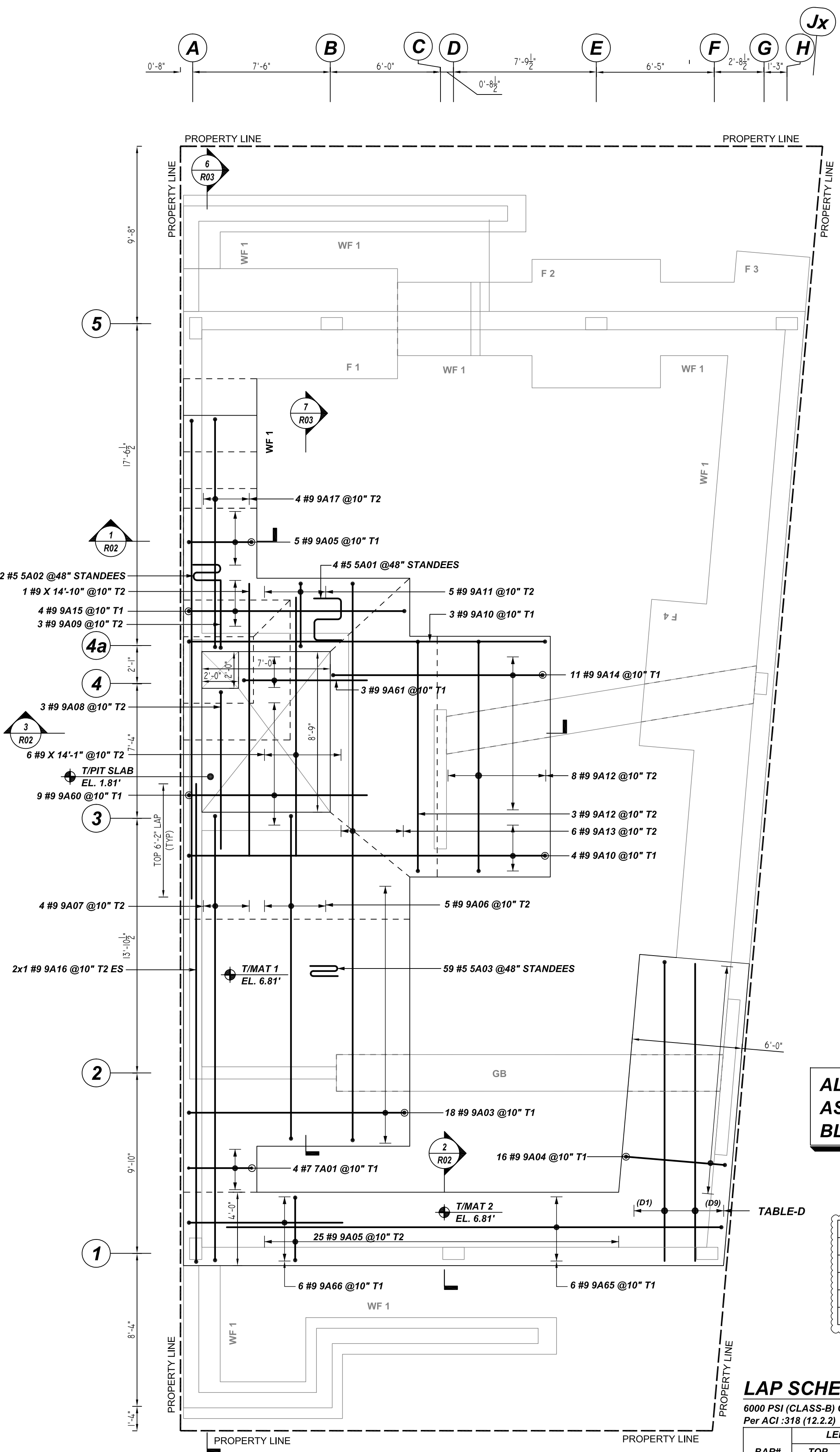


MAT SLAB - BOTTOM REINFORCEMENT DETAILS
 REF: FO.100.00 (DT.01/27/22)
 SCALE: 1/4" = 1'-0"

A/E PLEASE VERIFY LAYER ARRANGEMENT FOLLOWED



MAT SLAB - TOP REINFORCEMENT DETAILS
 REF: FO.100.00 (DT.01/27/22)
 SCALE: 1/4" = 1'-0"

A/E PLEASE VERIFY LAYER ARRANGEMENT FOLLOWED

TABLE-A

(A1)	1 #9 9A52 @10" B2
(A2)	1 #9 9A51 @10" B2
(A3)	1 #9 9A50 @10" B2
(A4)	1 #9 9A49 @10" B2
(A5)	1 #9 9A48 @10" B2

TABLE-B

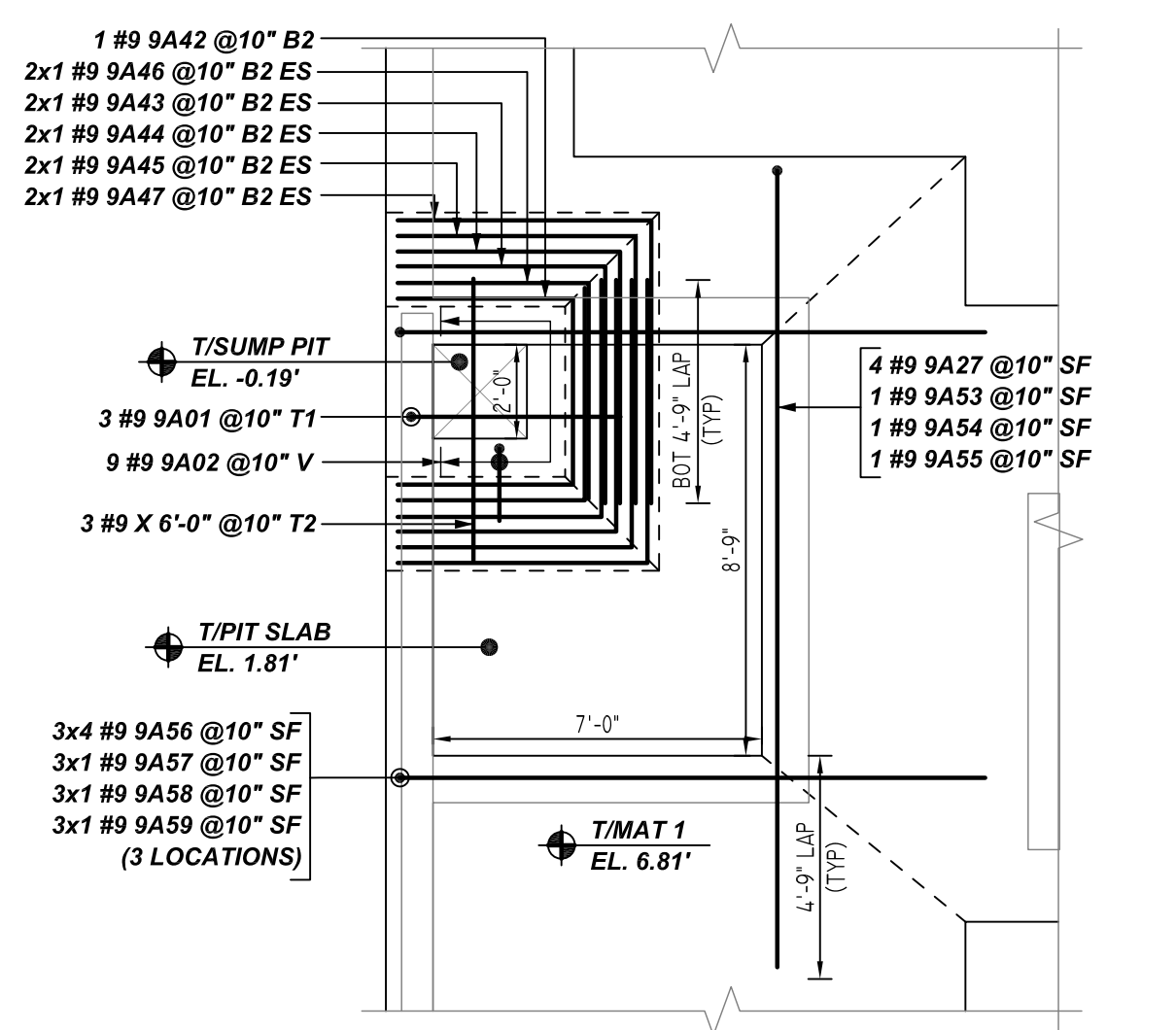
(B1)	1 #9 9A32 @10" B2
(B2)	1 #9 9A36 @10" B2
(B3)	2 #9 9A37 @10" B2
(B4)	1 #9 9A35 @10" B2
(B5)	2x1 #9 9A33 @10" B2 ES

TABLE-C

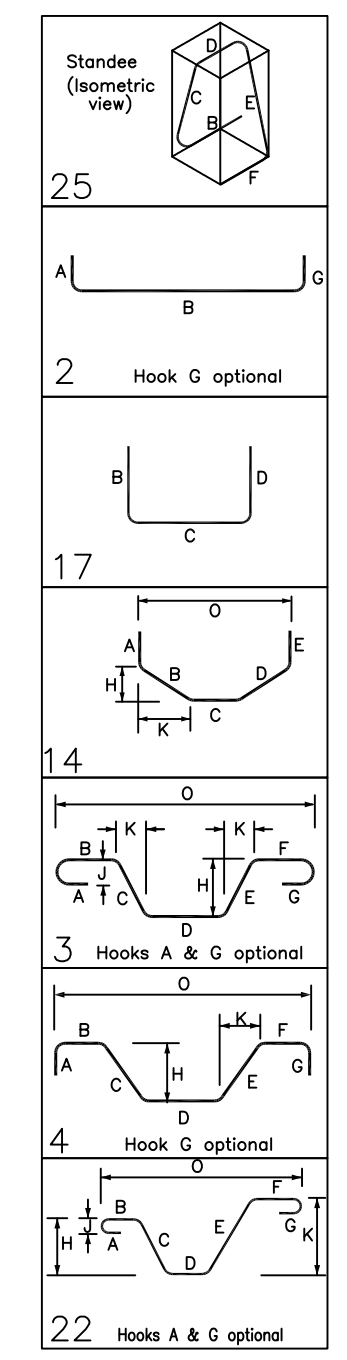
(C1)	1 #9 9A41 @10" B1
(C2)	1 #9 9A40 @10" B1
(C3)	1 #9 9A39 @10" B1
(C4)	1 #9 9A38 @10" B1

TABLE-D

(D1)	1 #9 9A32 @10" T2
(D2)	1 #9 9A36 @10" T2
(D3)	2 #9 9A37 @10" T2
(D4)	1 #9 9A35 @10" T2
(D5)	2x1 #9 9A33 @10" T2 ES



DETAIL-A
 REF: FO.100.00 (DT.01/27/22)
 SCALE: 1/4" = 1'-0"



Rebar Number: R01

Bar Mark	Qty	Size	Total Length	Type	X	Y	Z	BAR LIST	X	Y	Z	X	Y	Z
9A01	4	#5	14'-0"	T5	1'-6"	4'-9"	1'-6"	4'-9"	1'-6"	4'-7"	7'-3"			
9A02	2	#5	8'-2"	T5	1'-6"	1'-10"	1'-6"	1'-10"	1'-6"	1'-9"	0'-10"			
9A03	36	#5	6'-11"	T5	1'-4"	1'-2"	1'-6"	1'-2"	1'-6"	1'-6"	1'-2"			
9A04	3	#5	5'-10"	T2	1'-3"	3'-6"	1'-3"	3'-6"	1'-3"	3'-6"	1'-3"			
9A05	3	#5	6'-1"	T2	1'-3"	4'-6"	1'-3"	4'-6"	1'-3"	4'-6"	1'-3"			
9A06	3	#5	25'-17"	T2	1'-3"	17'-0"	1'-3"	17'-0"	1'-3"	17'-0"	1'-3"			
9A07	4	#5	35'-10"	T2	1'-3"	3'-4"	24'-3"	6'-3"	1'-3"	3'-4"	24'-3"	6'-3"		
9A08	3	#5	10'-2"	T2	1'-3"	8'-7"	1'-3"	8'-7"	1'-3"	8'-7"	1'-3"			
9A09	3	#5	5'-3"	T2	1'-3"	3'-8"	1'-3"	3'-8"	1'-3"	3'-8"	1'-3"			
9A10	7	#5	25'-10"	T2	1'-3"	19'-6"	4'-9"	3'-6"	1'-3"	19'-6"	4'-9"	3'-6"		
9A11	5	#5	14'-6"	T2	1'-3"	4'-9"	3'-6"	6'-3"	1'-3"	4'-9"	3'-6"	6'-3"		
9A12	25	#5	15'-9"	T2	1'-3"	12'-7"	1'-3"	12'-7"	1'-3"	12'-7"	1'-3"			
9A13	6	#5	38'-17"	T2	1'-3"	30'-5"	4'-9"	6'-3"	1'-3"	30'-5"	4'-9"	6'-3"		
9A14	11	#5	19'-4"	T2	1'-3"	11'-7"	11'-7"	6'-3"	1'-3"	11'-7"	11'-7"	6'-3"		
9A15	4	#5	21'-4"	T2	1'-3"	4'-9"	11'-10"	4'-9"	1'-3"	4'-9"	11'-10"	4'-9"		
9A16	2	#5	27'-8"	T2	1'-3"	26'-1"	1'-3"	26'-1"	1'-3"	26'-1"	1'-3"			
9A17	4	#5	20'-6"	T2	1'-3"	3'-4"	12'-6"	4'-8"	1'-3"	3'-4"	12'-6"	4'-8"		
9A18	1	#5	13'-2"	T4	5'-6"	2'-5"	5'-3"			1'-8"	6'-11"			
9A19	1	#5	13'-7"	T4	5'-6"	3'-4"	4'-9"			2'-4"	7'-1"			
9A20	3	#5	21'-4"	T3	3'-0"	6'-11"	6'-5"			6'-4"	6'-5"			
9A21	1	#5	11'-6"	T3	3'-0"	3'-9"	4'-9"			2'-8"	10'-4"			
9A22	1	#5	11'-4"	T3	3'-0"	2'-8"	5'-7"			1'-11"	10'-6"			
9A23	4	#5	19'-6"	T3	3'-0"	8'-11"	7'-2"			6'-4"	6'-5"			
9A24	3	#5	17'-3"	T3	3'-0"	8'-11"	5'-4"			6'-4"	14'-2"			
9A25	2	#5	12'-10"	T4	1'-3"	4'-4"	6'-10"			1'-4"	4'-1"			
9A26	5	#5	24'-10"	T2	1'-3"	23'-5"								
9A27	14	#5	18'-7"	T2	1'-3"	18'-7"								
9A28	5	#5	19'-9"	T3	3'-0"	8'-11"	7'-1"			6'-4"	6'-5"			
9A29	5	#5	21'-11"	T4	1'-3"	8'-5"	8'-11"	3'-0"		6'-4"	6'-5"			
9A30	17	#5	12'-4"	T2	1'-3"	10'-9"								
9A31	5	#5	26'-1"	T2	3'-0"	11'-9"	3'-7"	4'-8"	3'-0"	8'-4"	3'-4"	21'-1"		
9A32	2	#5	13'-6"	T2	1'-3"	10'-4"				1'-7"				
9A33	4	#5	19'-2"	T2	1'-3"	16'-0"				1'-7"				
9A34	4	#5	19'-2"	T2	1'-3"	16'-1"				1'-7"				
9A35	2	#5	15'-2"	T2	1'-3"	12'-0"				1'-7"				
9A36	2	#5	19'-7"	T2	1'-3"	16'-5"				1'-7"				
9A37	4	#5	19'-5"	T2	1'-3"	16'-5"				1'-7"				
9A38	1	#5	20'-11"	T4	1'-3"	11'-0"	5'-3"	3'-0"		3'-9"	3'-8"	17'-8"		
9A39	1	#5	21'-2"	T4	1'-3"	10'-4"	6'-2"	3'-0"		4'-5"	4'-4"	17'-8"		
9A40	1	#5	21'-5"	T4	1'-3"	9'-8"	7'-2"	3'-0"		5'-1"	5'-0"	17'-8"		
9A41	1	#5	21'-4"	T4	1'-3"	9'-0"	8'-1"	3'-0"		5'-10"	5'-8"	17'-8"		
9A42	1	#5	11'-5"	T2	1'-3"	3'-8"	3'-11"	3'-8"						
9A43	2	#5	9'-5"	T2	1'-3"	4'-5"	5'-0"							
9A44	2	#5	10'-0"	T2	1'-3"	4'-8"	5'-4"							
9A45	2	#5	10'-8"	T2	1'-3"	5'-0"	5'-8"							
9A46	2	#5	8'-7"	T2	1'-3"	4'-0"	4'-7"							
9A47	2	#5	11'-4"	T2	1'-3"	5'-4"	6'-0"							
9A48	1	#5	25'-2"	T4	1'-3"	16'-1"	3'-8"	3'-0"		2'-7"	2'-5"	20'-5"		
9A49	1	#5	25'-4"	T4	1'-3"	16'-4"	4'-2"	3'-0"		3'-0"	2'-11"	22'-5"		
9A50	1	#5	25'-6"	T4	1'-3"	16'-1"	4'-10"	3'-0"		3'-6"	3'-4"	22'-5"		
9A51	1	#5	25'-8"	T4	1'-3"	15'-7"	5'-5"	3'-0"		3'-11"	3'-9"	22'-5"		
9A52	1	#5	25'-10"	T4	1'-3"	15'-2"	6'-1"	3'-0"		4'-4"	4'-3"	22'-5"		
9A53	1	#5	18'-1"	T2	1'-3"	16'-6"								
9A54	1	#5	17'-4"	T2	1'-3"	15'-9"								
9A55	1	#5	18'-4"	T2	1'-3"	16'-9"								
9A56	10	#5	14'-1"	T2	1'-3"	12'-6"								
9A57	3	#5	13'-4"	T2	1'-3"	11'-9"								
9A58	3	#5	12'-7"	T2	1'-3"	11'-0"								
9A59	3	#5	11'-10"	T2	1'-3"	10'-3"								
9A60	9	#5	11'-4"	T2	1'-3"	9'-9"								
9A61	3	#5	8'-4"	T2	1'-3"	6'-9"								
9A62	3	#5	14'-0"	T4	5'-3"	1'-4"	7'-5"			0'-11"	0'-11"	8'-4"		
9A63	6	#5	20'-0"	T2	1'-3"	18'-5"								
9A64	6	#5	17'-2"	T2	1'-3"	15'-7"								
9A65	6	#5	28'-7"	T2	1'-3"	27'-0"								
9A66	6	#5	10'-0"	T2	1'-3"	8'-5"								
9A67	6	#5	12'-7"	T4	1'-3"	3'-5"	4'-8"	2'-11"		3'-4"	3'-5"	9'-7"		

**ALL BARS IN THIS DRAWING
 ASTM A615 GRADE 60
 BLACK UNCOATED**

TYPICAL REINFORCING BAR CLEARANCE TABLE

LOCATION	MIN. COVER
MAT SLAB BOTTOM & SIDE	3" CLR
MAT SLAB TOP	2" CLR
COLUMN	1 1/2" CLR
WALL	1 1/2" CLR

LAP SCHEDULE
 6000 PSI (CLASS-B) CASE - 1
 Per ACI :318 (12.2.2)

BAR#	LENGTHS	
	TOP	OTHERS
#3	1'-9"	1'-4"
#4	2'-2"	1'-9"
#5	2'-10"	2'-2"
#6	3'-5"	2'-7"
#7	4'-11"	3'-9"
#8	5'-7"	4'-3"
#9	6'-2"	4'-9"
#10	6'-11"	5'-4"
#11	7'-9"	5'-11"

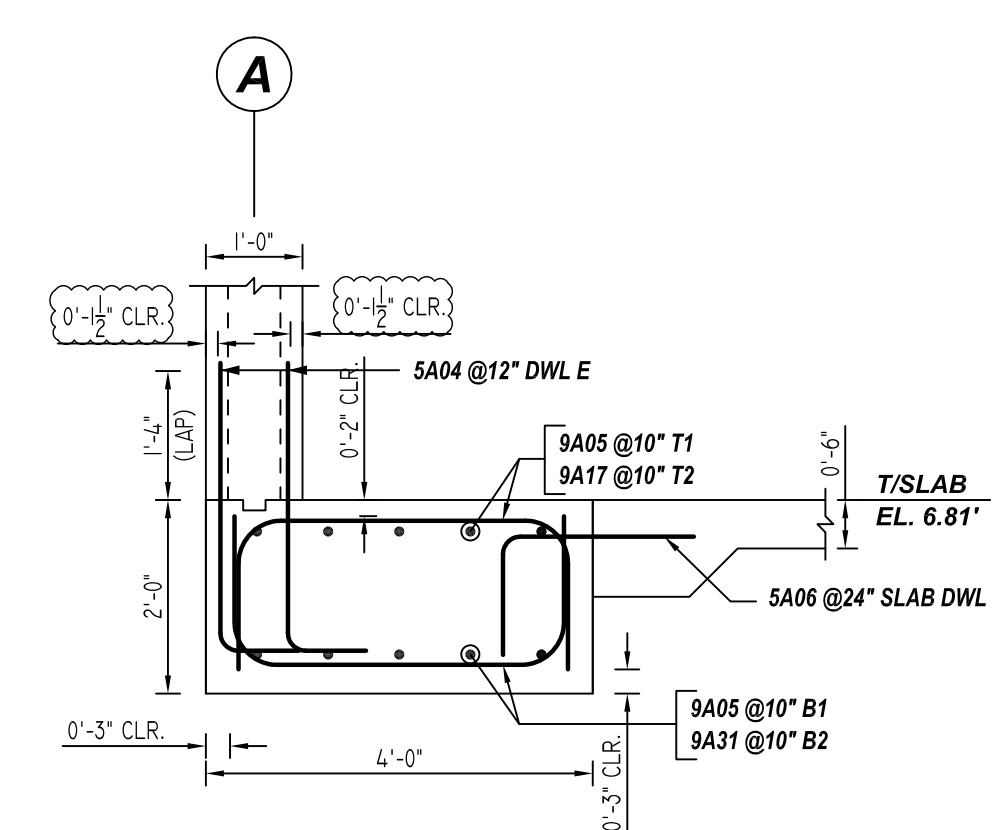
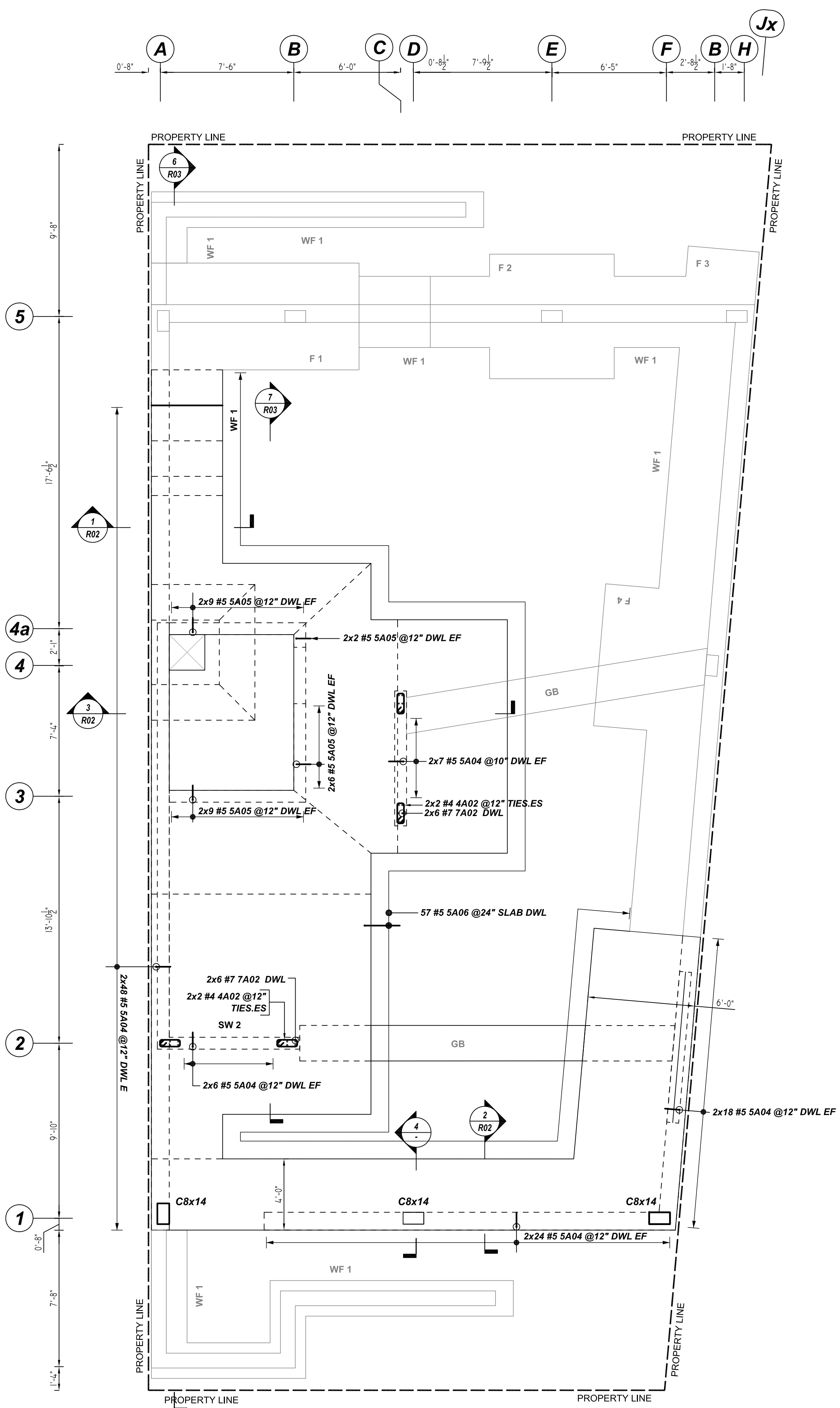
LAP SCHEDULE
 A/E PLEASE VERIFY LAP FOLLOWED
 Per ACI :318 (12.2.2)

BAR#	LENGTHS	
	FOR VERT. BARS	
#3	11"	
#4	12"	
#5	16"	
#6	19"	
#7	21"	
#8	24"	
#9	28"	
#10	30"	
#11	34"	

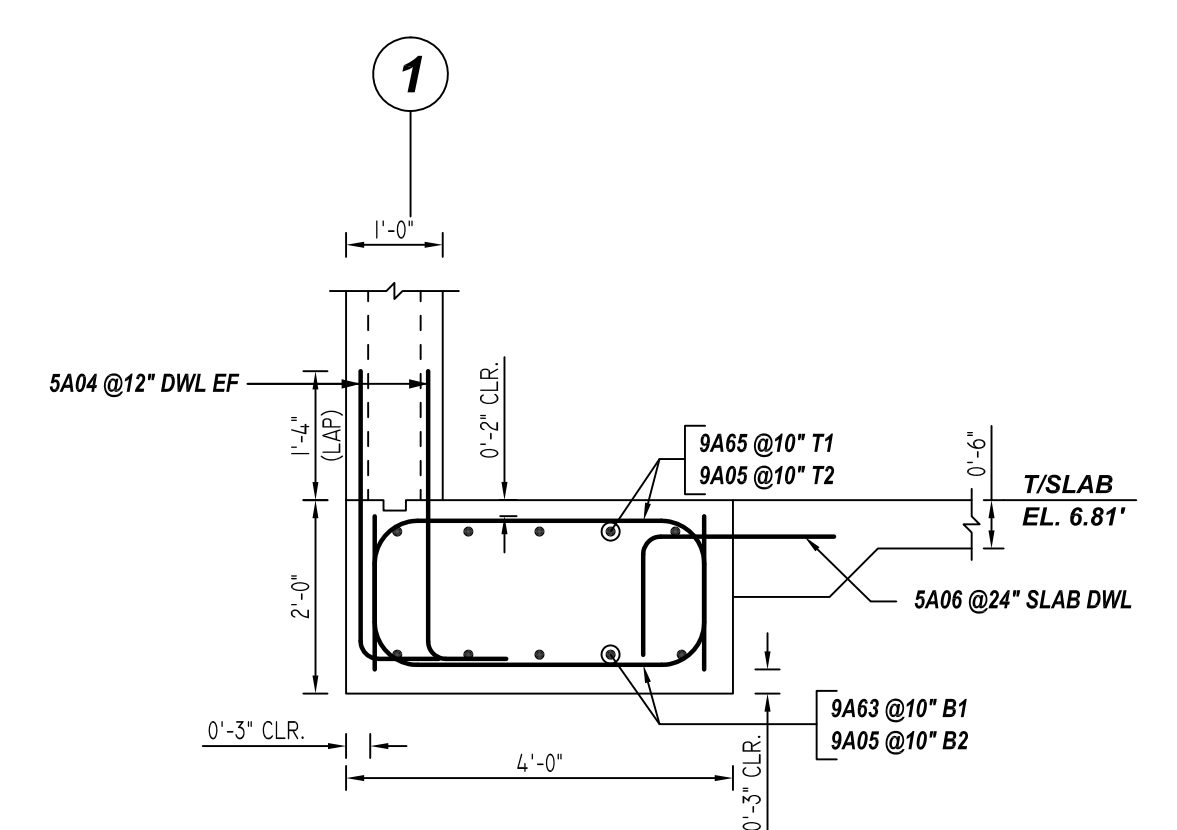
ALL TOP BARS ARE DEFINED AS HORIZ BARS WITH MORE THAN 12" OF CONCRETE BELOW BARS.

FOR APPROVAL

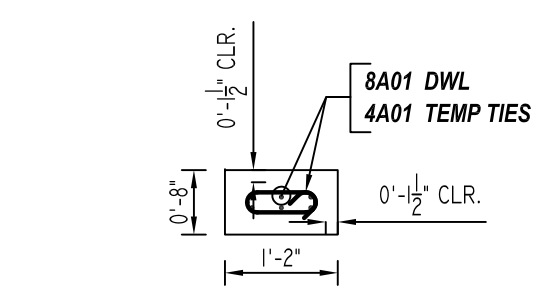
GRADE	A615/60(UNO)			STRUCTURE	MAT SLAB REINFORCEMENT DETAILS
PREFIX	A				
BAR LIST NOS.				FLOOR	FOUNDATION
REV	DESCRIPTION	ISSUED DATE	ISSUED FOR	JOB NO	NC220073
0	IFA	09/09/2022	APPROVAL	CUSTOMER	BEST OUTFITS OF NY
				JOB	1102-BANNER AVE
				LOCATION	BROOKLYN, NY 11235
DRAWN	DATE	CONTROL CODE	DWG. NO.		
MRS	09/09/2022	-	R01		



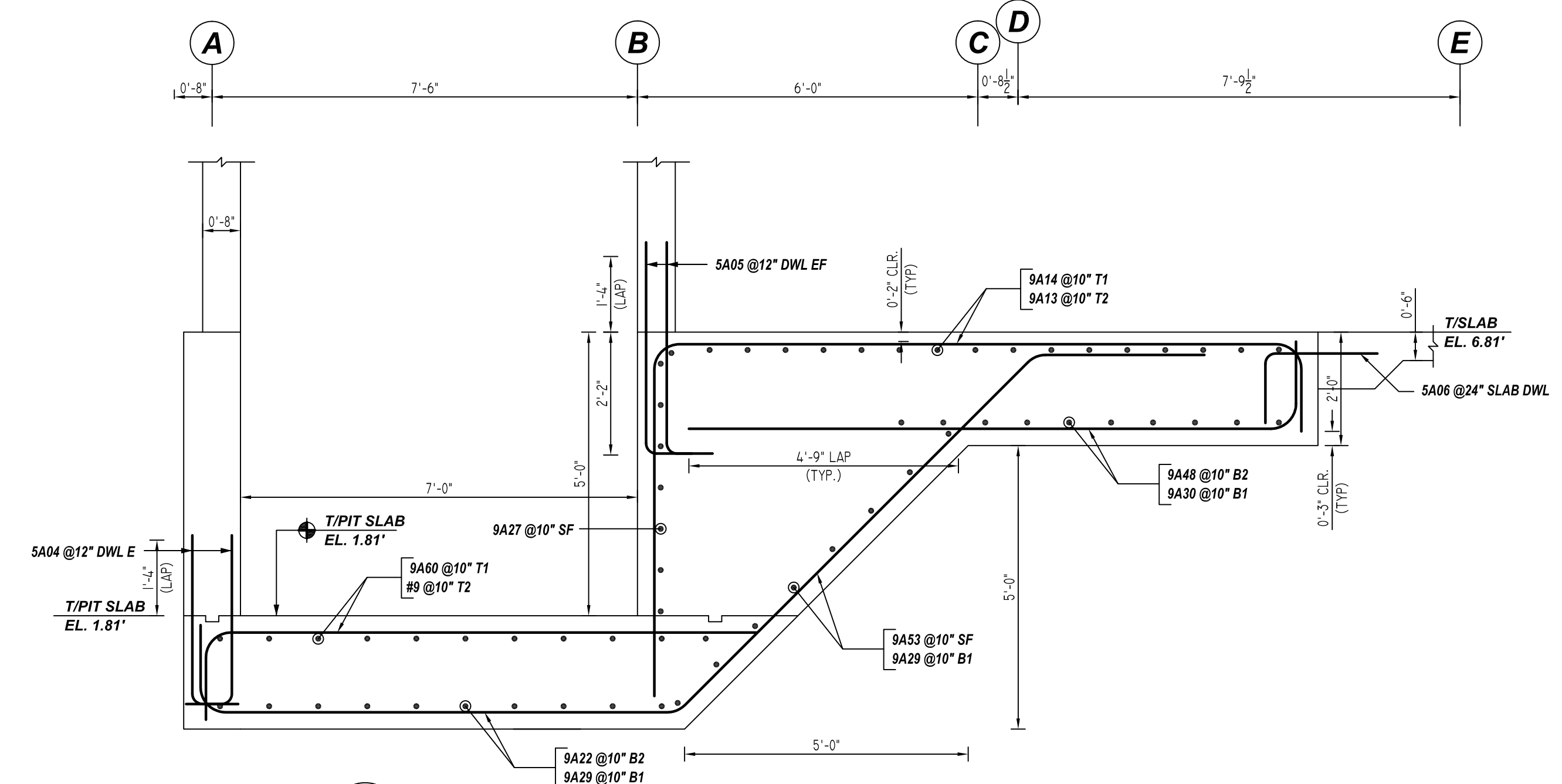
1 SECTION
REF:1/FO-101.00 (DT.01/27/22)
SCALE: 1/2" = 1'-0"



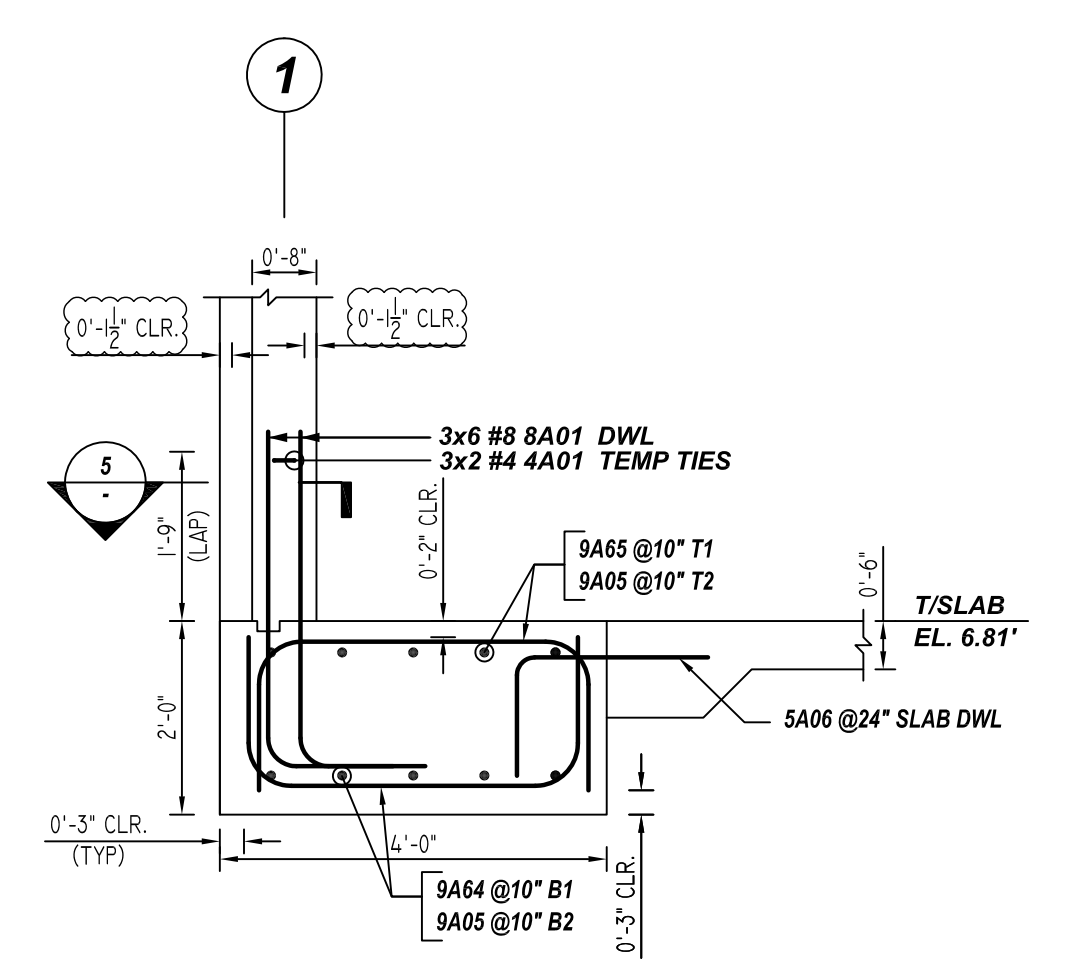
2 SECTION
REF:1/FO-101.00 (DT.01/27/22)
SCALE: 1/2" = 1'-0"



5 SECTION
REF:1/FO-101.00 (DT.01/27/22)
SCALE: 1/2" = 1'-0"

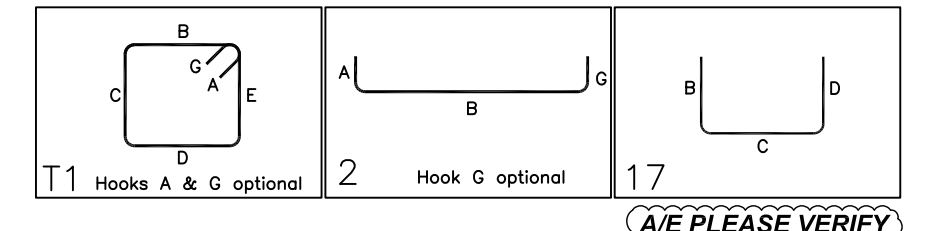


3 SECTION
REF:9/FO-101.00 (DT.01/27/22)
SCALE: 1/2" = 1'-0"



4 SECTION
REF:1/FO-101.00 (DT.01/27/22)
SCALE: 1/2" = 1'-0"
@ 3 LOCATIONS

Bar Mark	Qty	Size	Total Length	Type	X	Y	Z	W	V	U	T	S	R	Q	P	O	N	M	L	K	J	I	H	G	F	E	D	C	B	A
4A01	6	#4	2'-6"	T1	0'-3"	0'-3"	0'-3"	0'-3"	0'-3"	0'-3"	0'-3"	0'-3"	0'-3"	0'-3"	0'-3"	0'-3"	0'-3"	0'-3"	0'-3"	0'-3"	0'-3"	0'-3"	0'-3"	0'-3"	0'-3"	0'-3"	0'-3"	0'-3"	0'-3"	0'-3"
4A02	8	#4	3'-11"	T1	0'-4 1/2"	0'-5"	1'-2"	0'-5"	1'-2"	0'-4 1/2"	0'-5"	1'-2"	0'-5"	1'-2"	0'-4 1/2"	0'-5"	1'-2"	0'-5"	1'-2"	0'-4 1/2"	0'-5"	1'-2"	0'-5"	1'-2"	0'-4 1/2"	0'-5"	1'-2"	0'-5"	1'-2"	0'-4 1/2"
5A04	206	#5	3'-10"	2	0'-10"	3'-9"																								
5A05	52	#5	4'-7"	2	0'-10"	3'-9"																								
5A06	57	#5	3'-3"	17	1'-3"	2'-0"																								
7A02	24	#7	4'-6"	2	1'-2"	3'-4"																								
8A01	18	#8	4'-10"	2	1'-4"	3'-8"																								



LAP SCHEDULE
6000 PSI (CLASS-B) CASE - 1
Per ACI :318 (12.2.2)

BAR#	LENGTHS	
	TOP	OTHERS
#3	1'-9"	1'-4"
#4	2'-2"	1'-9"
#5	2'-10"	2'-2"
#6	3'-5"	2'-7"
#7	4'-11"	3'-9"
#8	5'-7"	4'-3"
#9	6'-2"	4'-9"
#10	6'-11"	5'-4"
#11	7'-9"	5'-11"

LAP SCHEDULE
Per ACI :318 (12.2.2)

BAR#	LENGTHS FOR VERT. BARS	
	#3	#4
#3	11"	12"
#4	12"	16"
#5	16"	19"
#6	19"	21"
#7	21"	24"
#8	24"	28"
#9	28"	30"
#10	30"	34"
#11	34"	

TYPICAL REINFORCING BAR CLEARANCE TABLE

LOCATION	MIN. COVER
MAT SLAB BOTTOM & SIDE	3" CLR
MAT SLAB TOP	2" CLR
COLUMN	1 1/2" CLR
WALL	1 1/2" CLR

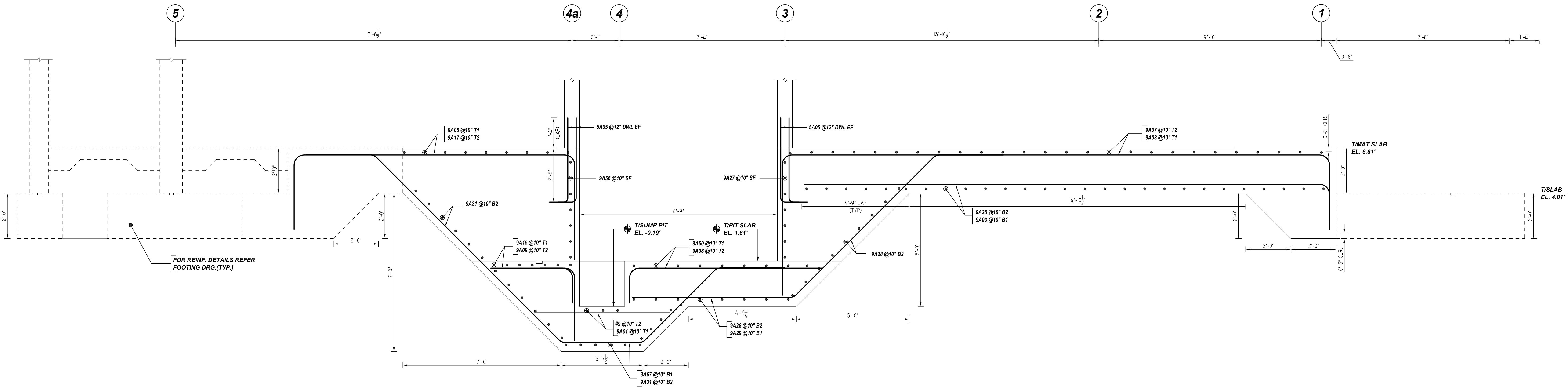
**ALL BARS IN THIS DRAWING
ASTM A615 GRADE 60
BLACK UNCOATED**

FOR APPROVAL

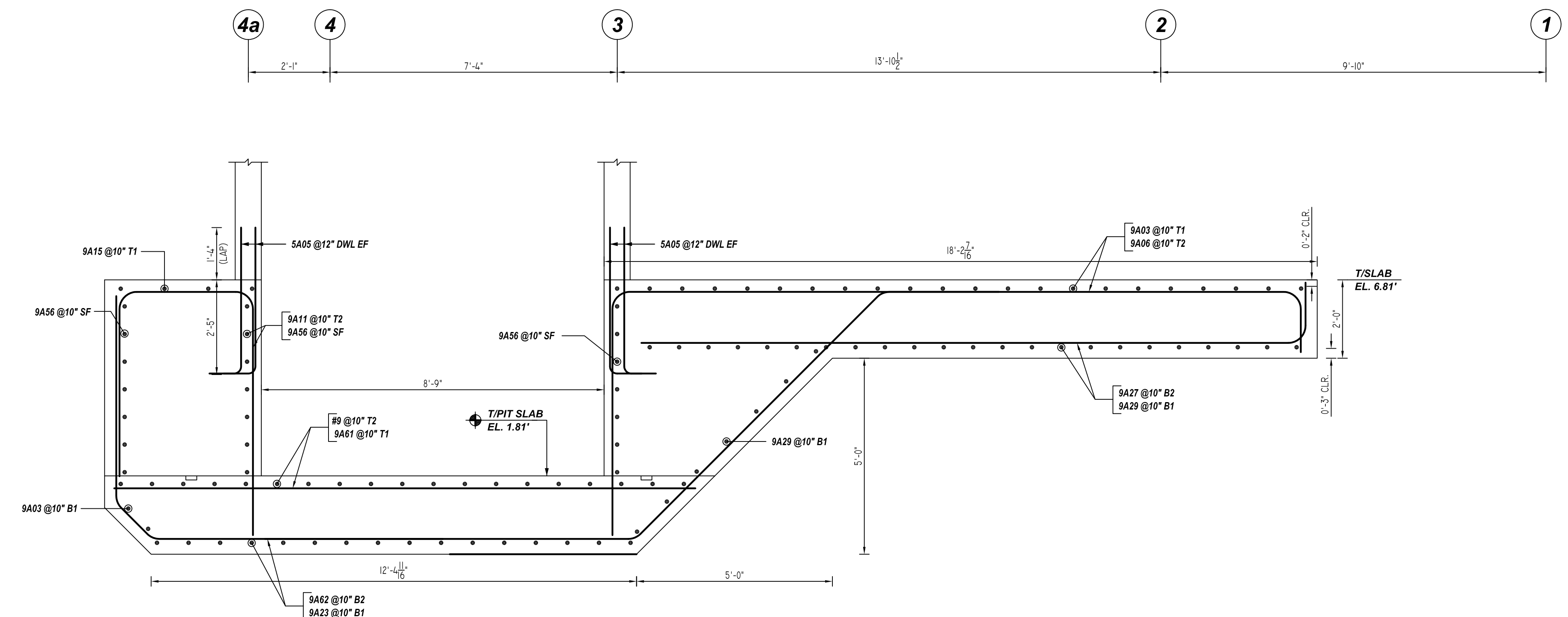
A/E PLEASE VERIFY REINF. ARRANGEMENT FOLLOWED

MAT SLAB - DOWELS REINFORCEMENT DETAILS
REF:FO-100.00 (DT.01/27/22)
SCALE: 1/4" = 1'-0"

GRADE	A615/60(UNO)		
PREFIX	A		
BAR LIST NOS.			
REV	DESCRIPTION	ISSUED DATE	ISSUED FOR
0	IFA	09/09/2022	APPROVAL
STRUCTURE	MAT SLAB REINFORCEMENT DETAILS		
FLOOR	FOUNDATION		
JOB NO	NC220073		
CUSTOMER	BEST OUTFITS OF NY		
JOB	1102-BANNER AVENUE		
LOCATION	BROOKLYN, NY 11235		
DRAWN	DATE	CONTROL CODE	DWG. NO.
MRS	09/09/2022	-	R02



6 SECTION
 REF: 6/FO-101.00 (DT.01/27/22)
 SCALE: 1/2" = 1'-0"



7 SECTION
 REF: 6/FO-101.00 (DT.01/27/22)
 SCALE: 1/2" = 1'-0"

LAP SCHEDULE

6000 PSI (CLASS-B) CASE - 1
 Per ACI :318 (12.2.2)

BAR#	LENGTHS	
	TOP	OTHERS
#3	1'-9"	1'-4"
#4	2'-2"	1'-9"
#5	2'-10"	2'-2"
#6	3'-5"	2'-7"
#7	4'-11"	3'-9"
#8	5'-7"	4'-3"
#9	6'-2"	4'-9"
#10	6'-11"	5'-4"
#11	7'-9"	5'-11"

LAP SCHEDULE

Per ACI :318 (12.2.2)

BAR#	LENGTHS	
	FOR VERT. BARS	
#3	11"	
#4	12"	
#5	16"	
#6	19"	
#7	21"	
#8	24"	
#9	28"	
#10	30"	
#11	34"	

TYPICAL REINFORCING BAR CLEARANCE TABLE

LOCATION	MIN. COVER
MAT SLAB BOTTOM & SIDE	3" CLR
MAT SLAB TOP	2" CLR
COLUMN	1 1/2" CLR
WALL	1 1/2" CLR

**ALL BARS IN THIS DRAWING
 ASTM A615 GRADE 60
 BLACK UNCOATED**

ALL TOP BARS ARE DEFINED AS
 HORIZ BARS WITH MORE THAN
 12" OF CONCRETE BELOW BARS.

FOR APPROVAL

GRADE	A615/60(UNO)		
PREFIX	A		
BAR LIST NOS.			
REV	DESCRIPTION	ISSUED DATE	ISSUED FOR
0	IFA	09/09/2022	APPROVAL
STRUCTURE	MAT SLAB REINFORCEMENT DETAILS		
FLOOR	FOUNDATION		
JOB NO	NC220073		
CUSTOMER	BEST OUTFITS OF NY		
JOB	1102-BANNER AVENUE		
LOCATION	BROOKLYN, NY 11235		
DRAWN	DATE	CONTROL CODE	DWG. NO.
MRS	09/09/2022	-	R03