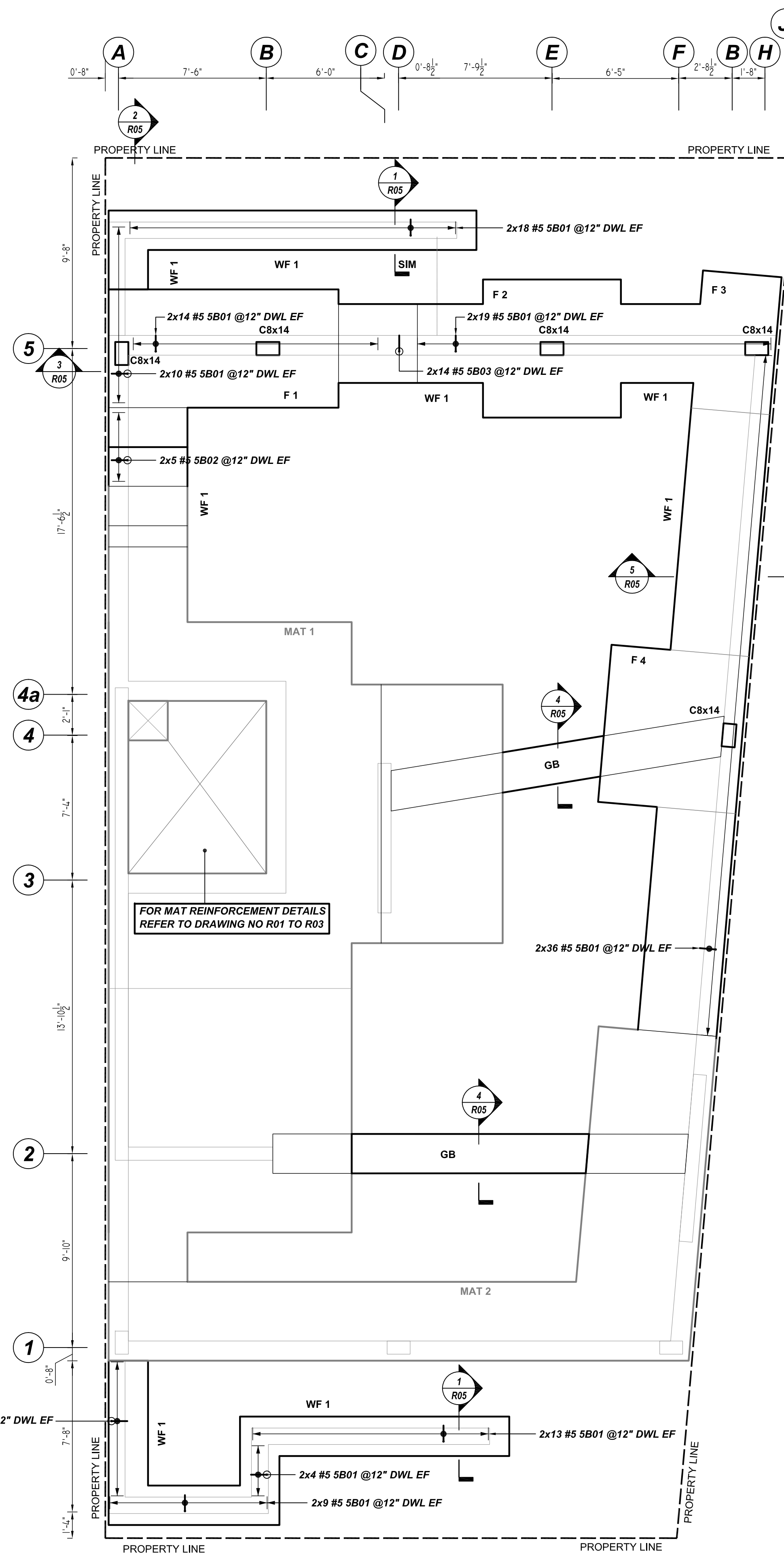


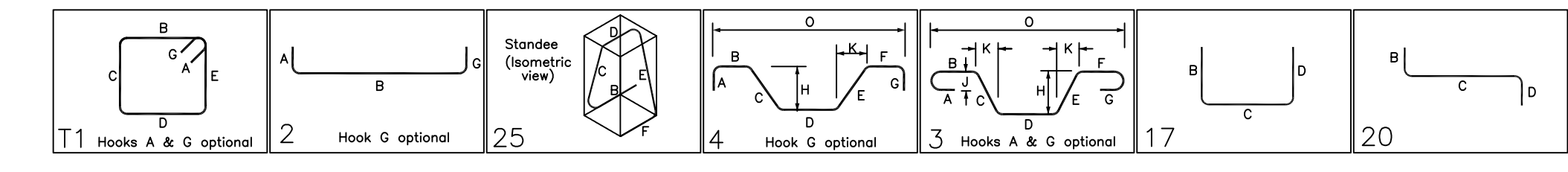
WALL FOOTING - REINFORCEMENT DETAILS
 REF:FO.100.00 (DT.01/27/22)
 SCALE: 1/4" = 1'-0"



WALL DOWEL - REINFORCEMENT DETAILS
 REF:FO.100.00 (DT.01/27/22)
 SCALE: 1/4" = 1'-0"

Release Number: R04

Bar Mark	Qty	Size	Total Length	Type	X	Y	Z	W	V	U	T	S	R	Q	P	O	N	M	L	K	J	I	H	G	F	E	D	C	B	A
4802	40	#4	6'-11"	T1	0'-4.5"	1'-6"	1'-7"	1'-6"	1'-7"																					
5801	282	#5	3'-10"	2	0'-10"	3'-0"																								
5802	10	#5	5'-10"	2	0'-10"	5'-0"																								
5803	28	#5	4'-10"	2	0'-10"	4'-0"																								
5804	53	#5	7'-1"	25	1'-6"	1'-3"	1'-6"	1'-3"	1'-6"																					
7801	5	#7	15'-3"	4	1'-2"	7'-5"	4'-8"	2'-0"	1'-3"	1'-6"																				
7802	104	#7	3'-10"	2	1'-2"	1'-6"																								
7803	5	#7	10'-0"	2	1'-2"	8'-10"																								
7804	3	#7	12'-5"	2	1'-2"	11'-3"																								
7805	3	#7	17'-10"	4	1'-2"	9'-11"	4'-8"	2'-0"																						
7806	30	#7	7'-10"	2	1'-2"	5'-6"																								
7807	16	#7	13'-6"	2	1'-2"	11'-2"																								
7808	88	#7	8'-10"	2	1'-2"	6'-6"																								
7809	110	#7	5'-10"	2	1'-2"	3'-6"																								
7810	5	#7	11'-5"	3	1'-10"	4'-11"	4'-8"																							
7811	5	#7	13'-3"	17	1'-2"	9'-11"	3'-4"																							
7812	6	#7	14'-4"	2	1'-2"	13'-2"																								
7813	6	#7	11'-0"	20	3'-9"	3'-6"	3'-9"																							
7814	12	#7	7'-6"	17	3'-9"	3'-9"																								
7815	18	#7	9'-10"	2	1'-2"	7'-6"																								
7816	6	#7	13'-4"	2	1'-2"	10'-2"																								
8802	14	#8	23'-0"	2	1'-4"	20'-4"																								
8803	14	#8	19'-2"	2	1'-4"	16'-6"																								



**ALL BARS IN THIS DRAWING
 ASTM A615 GRADE 60
 BLACK UNCOATED**

TYPICAL REINFORCING BAR CLEARANCE TABLE

LOCATION	MIN. COVER
FOOTING BOTTOM & SIDE	3" CLR
FOOTING TOP	2" CLR
COLUMN	1 1/2" CLR
WALL	1 1/2" CLR

LAP SCHEDULE
 6000 PSI (CLASS-B) CASE - 1
 Per ACI:318 (12.2.2)

BAR#	LENGTHS	
	TOP	OTHERS
#3	1'-9"	1'-4"
#4	2'-2"	1'-9"
#5	2'-10"	2'-2"
#6	3'-5"	2'-7"
#7	4'-11"	3'-9"
#8	5'-7"	4'-3"
#9	6'-2"	4'-9"
#10	6'-11"	5'-4"
#11	7'-9"	5'-11"

ALL TOP BARS ARE DEFINED AS HORIZ BARS WITH MORE THAN 12" OF CONCRETE BELOW BARS.

LAP SCHEDULE
 Per ACI:318 (12.2.2)

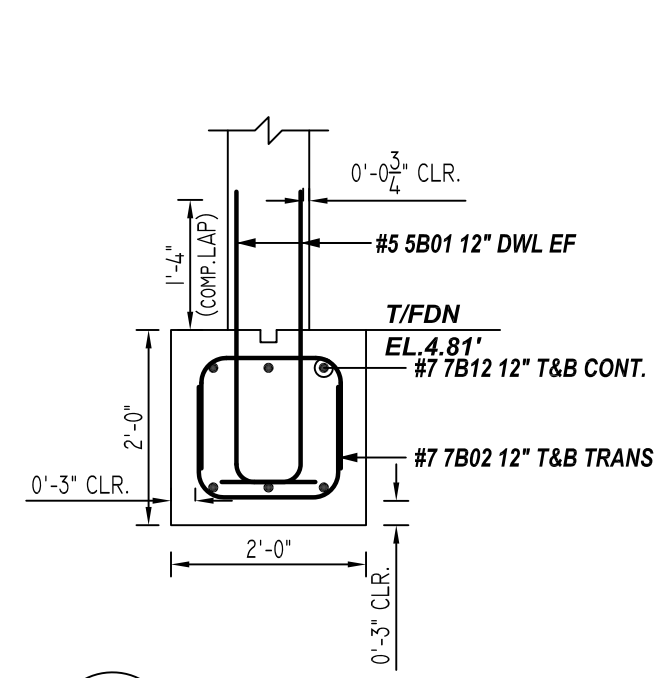
BAR#	LENGTHS FOR VERT. BARS	
	#3	11"
#4	12"	
#5	16"	
#6	19"	
#7	21"	
#8	24"	
#9	28"	
#10	30"	
#11	34"	

A/E PLEASE VERIFY COVER FOLLOWED

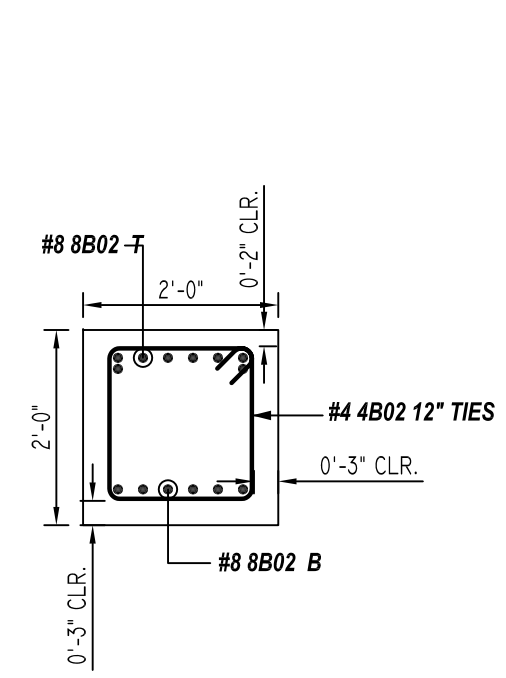
A/E PLEASE VERIFY LAP FOLLOWED

FOR APPROVAL

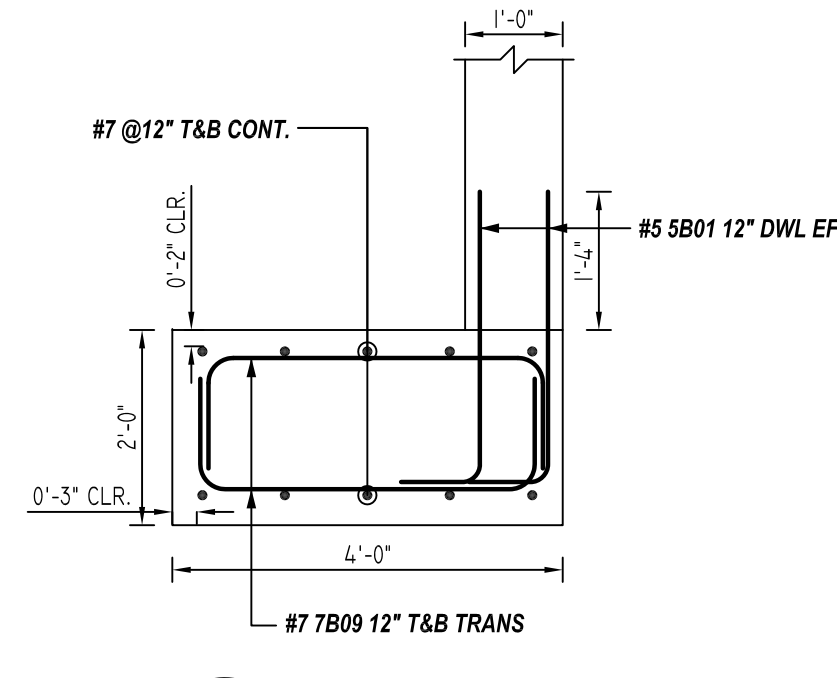
GRADE	A615/60(UNO)		
PREFIX	B		
BAR LIST NOS.			
REV	DESCRIPTION	ISSUED DATE	ISSUED FOR
0	IFA	09/13/2022	APPROVAL
STRUCTURE	WALL FOOTING REINFORCEMENT DETAILS		
FLOOR	FOUNDATION LEVEL		
JOB NO	NC220073		
CUSTOMER	BEST OUTFITS OF NY		
JOB	1102-BANNER AVENUE		
LOCATION	BROOKLYN, NY 11235		
DRAWN	DATE	CONTROL CODE	DWG. NO.
MRS	09/13/2022	-	R04



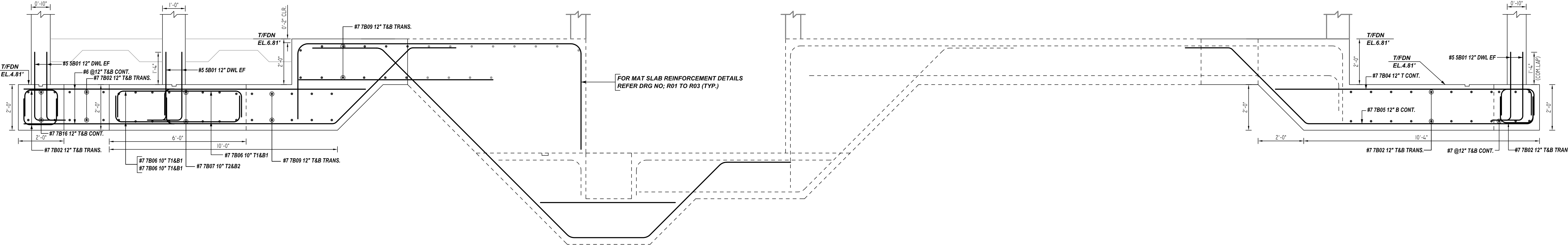
1 SECTION
REF: 1/FO-101.00 (DT.01/27/22)
SCALE: 1/2" = 1'-0"



4 SECTION
REF: FO-102.00 (DT.01/27/22)
SCALE: 1/2" = 1'-0"



5 SECTION
REF: FO-102.00 (DT.01/27/22)
SCALE: 1/2" = 1'-0"



2 SECTION
REF: 1/FO-101.00 (DT.01/27/22)
SCALE: 1/2" = 1'-0"

**ALL BARS IN THIS DRAWING
ASTM A615 GRADE 60
BLACK UNCOATED**

A/E PLEASE VERIFY
COVER FOLLOWED

LOCATION	MIN. COVER
FOOTING BOTTOM & SIDE	3" CLR
FOOTING TOP	2" CLR
COLUMN	1 1/2" CLR
WALL	1 1/2" CLR

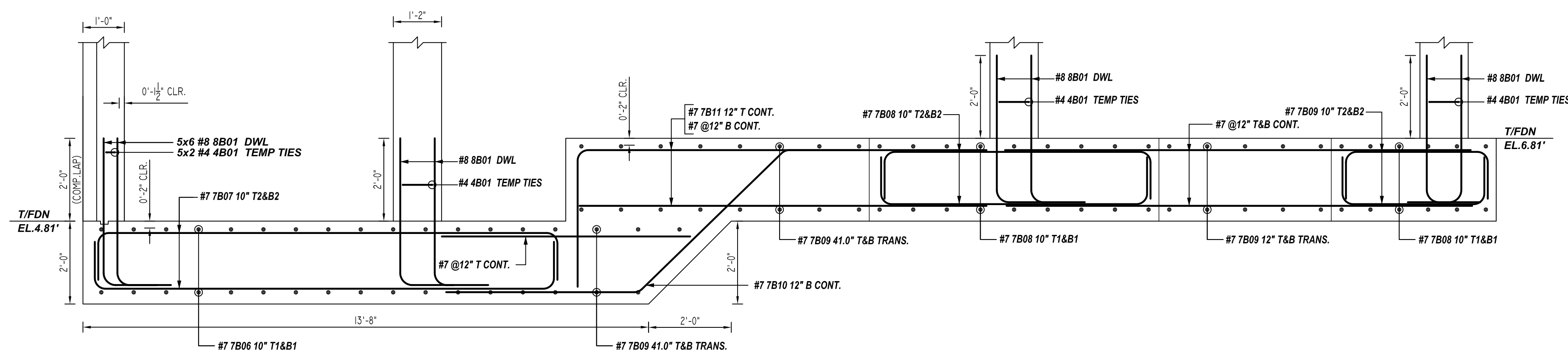
A/E PLEASE VERIFY
LAP FOLLOWED

BAR#	LENGTHS
#3	11"
#4	12"
#5	16"
#6	19"
#7	21"
#8	24"
#9	28"
#10	30"
#11	34"

LAP SCHEDULE
6000 PSI (CLASS-B) CASE - 1
Per ACI 318 (12.2.2)

BAR#	TOP	OTHERS
#3	1'-9"	1'-4"
#4	2'-2"	1'-9"
#5	2'-10"	2'-2"
#6	3'-5"	2'-7"
#7	4'-11"	3'-9"
#8	5'-7"	4'-3"
#9	6'-2"	4'-9"
#10	6'-11"	5'-4"
#11	7'-9"	5'-11"

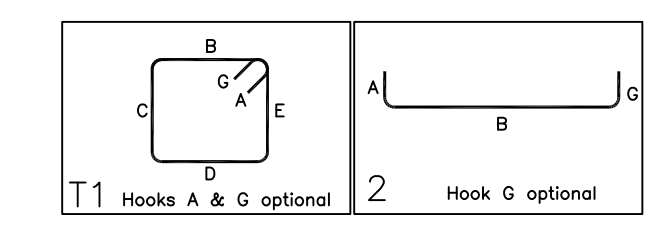
ALL TOP BARS ARE DEFINED AS
HORIZ BARS WITH MORE THAN
12" OF CONCRETE BELOW BARS.



3 SECTION
REF: 1/FO-101.00 (DT.01/27/22)
SCALE: 1/2" = 1'-0"

Release Number: R15

Bar Mark	Qty	Size	Total Length	Type	X	Y	Z	W	V	U	T	S	R	Q	P	O	N	M	L	K	J	I	H	G	F	E	D	C	B	A
4B01	10	#4	2'-4"	11	0'-3"	0'-3"	0'-9"	0'-3"	0'-9"	0'-9"	0'-3"																			
8B01	30	#8	4'-11"	2	1'-4"	3'-3"																								



FOR APPROVAL

GRADE: A615/60(UNO)		PREFIX: B		STRUCTURE: WALL FOOTING REINFORCEMENT DETAILS	
BAR LIST NOS.		ISSUED FOR: APPROVAL		FLOOR: FOUNDATION LEVEL	
REV: 0	DESCRIPTION: IFA	ISSUED DATE: 09/13/2022	ISSUED FOR: APPROVAL	JOB NO: NC220073	
				CUSTOMER: BEST OUTFITS OF NY	
				JOB: 1102-BANNER AVENUE	
				LOCATION: BROOKLYN, NY 11235	
DRAWN: MRS		DATE: 09/13/2022	CONTROL CODE: -	DWG. NO: R05	