

FOOTING SCHEDULE					
MARK	QTY	SIZE	GRID LOCATION	REINFORCING	REMARK
F30	1	3'-0"X3'-0"X1'-2"	-	2x4 #5 X 2'-6" B EW	REFER SECTION 1
F70	1	7'-0"X7'-0"X2'-0"	-	2x8 #7 X 6'-6" B EW	REFER SECTION 1
F75	2	7'-6"X7'-6"X2'-0"	-	2x2x8 #7 X 7'-0" B EW	REFER SECTION 1

MESH DETAILS					
S. NO	ELEMENT	MESH SIZE	SHEETS	AREA	REMARK
1	4" THK SLAB ON GRADE	6x6 - W1.4XW1.4 WWF	17	1650 SQ.FT	8'-0" X 15'-0" SHEET SIZE (15% LAP ADDED)

ACCESSORIES DETAILS					
S. NO	ELEMENT	DESCRIPTION	PCS	LFT	REMARK
1	4" THK SOG	2" HT SB @ 4'-0" C/C	-	450	FOR MESH SUPPORT (@ BOTTOM)

LAP SCHEDULE

5000 PSI (CLASS-B) CASE - 1
Per ACI 318 (12.2.2)

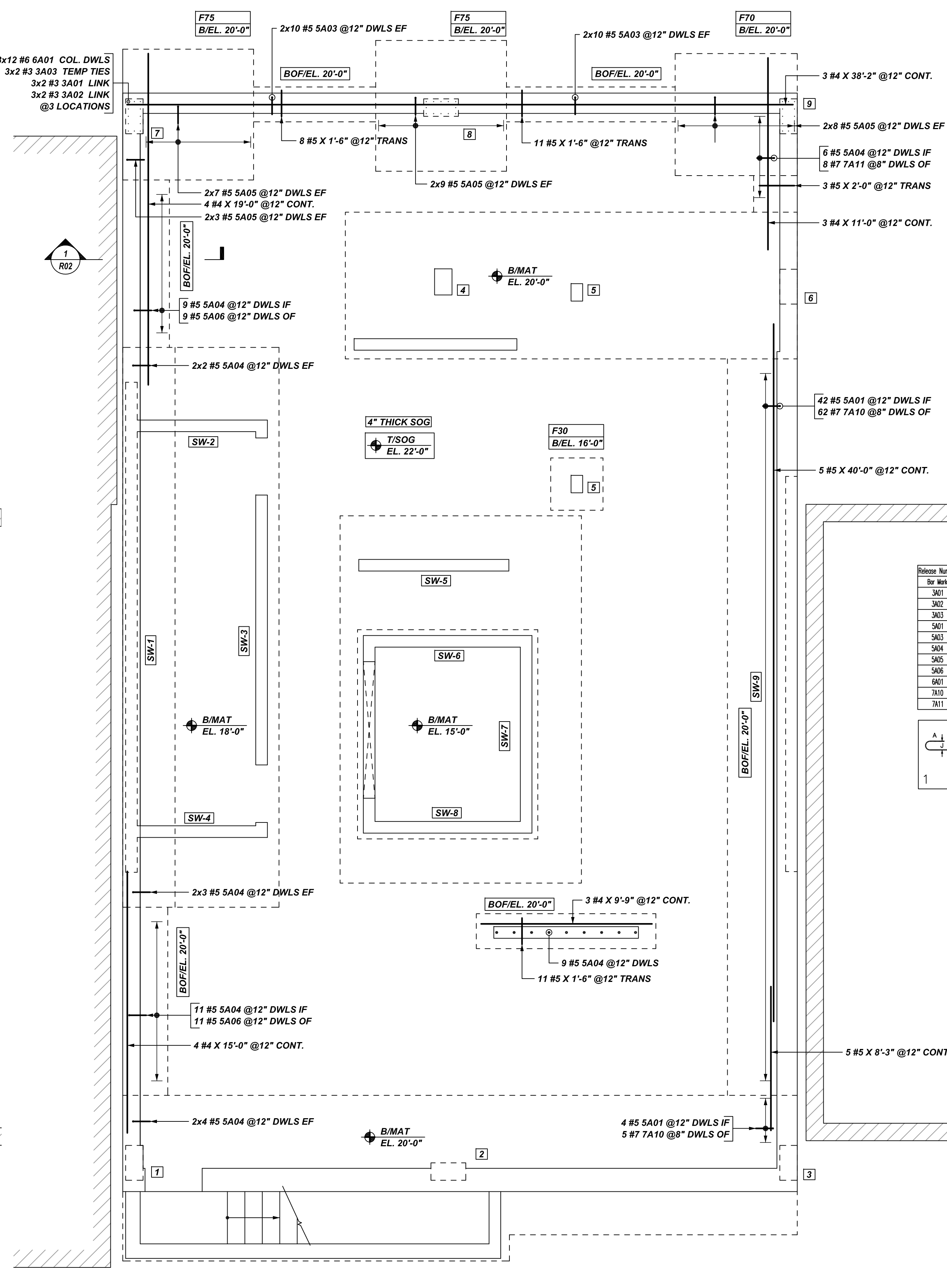
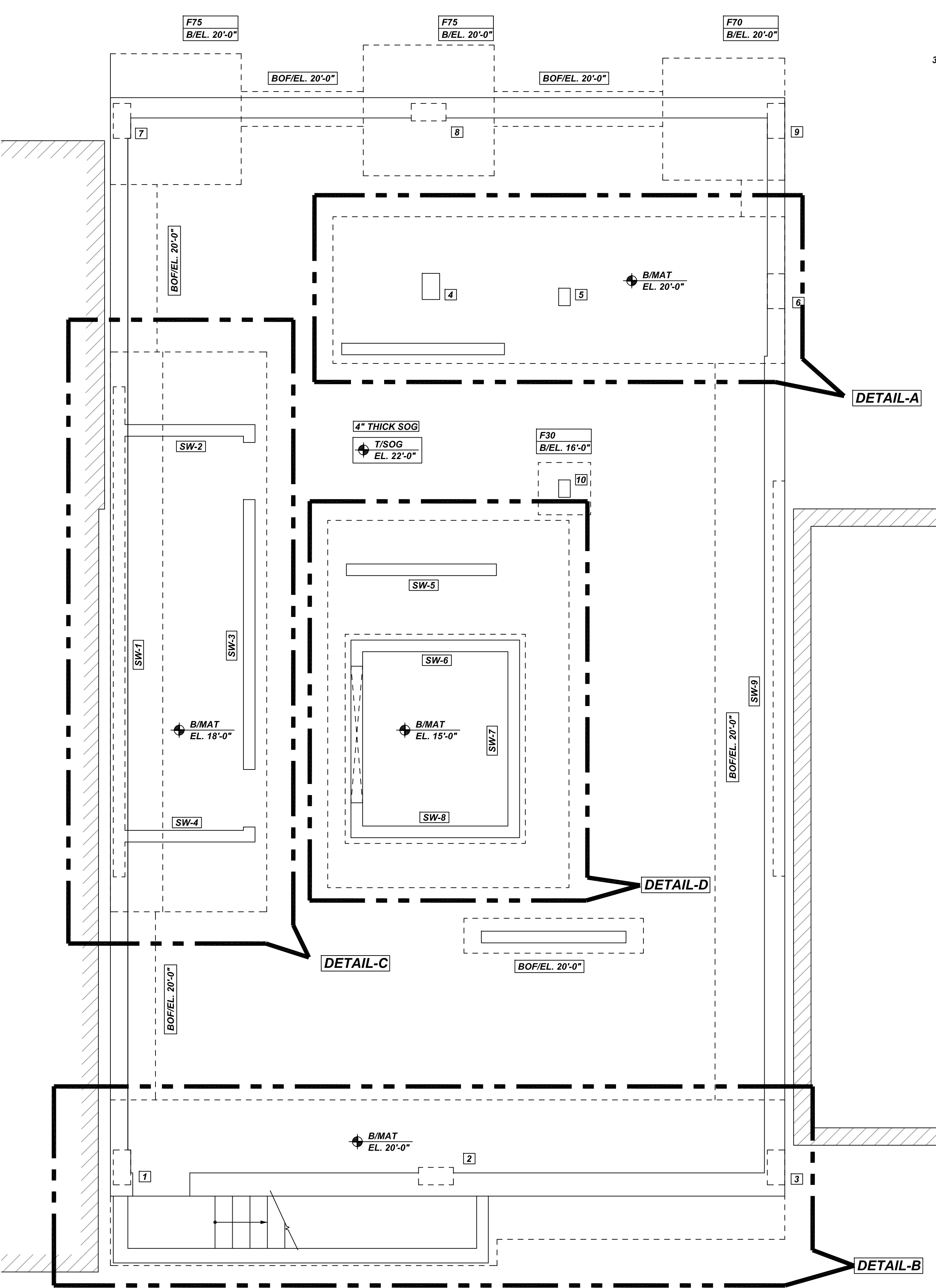
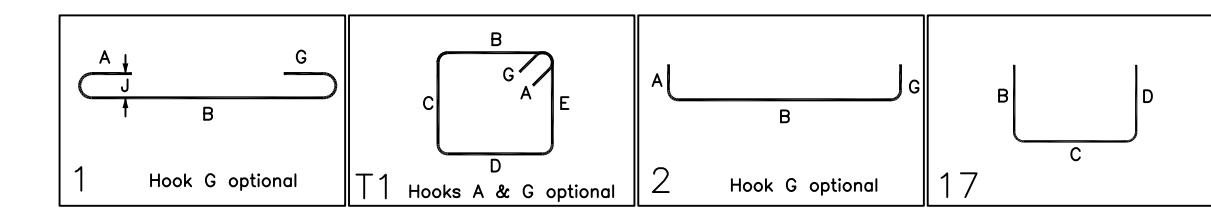
BAR#	LENGTHS	
	TOP	OTHERS
#3	1'-4"	1'-4"
#4	1'-10"	1'-5"
#5	2'-3"	1'-9"
#6	3'-0"	2'-3"
#7	4'-0"	2'-11"
#8	5'-4"	4'-1"
#9	6'-9"	5'-2"
#10	8'-6"	6'-7"
#11	10'-6"	8'-3"

ALL TOP BARS ARE DEFINED AS HORIZ BARS WITH MORE THAN 12" OF CONCRETE BELOW BARS.

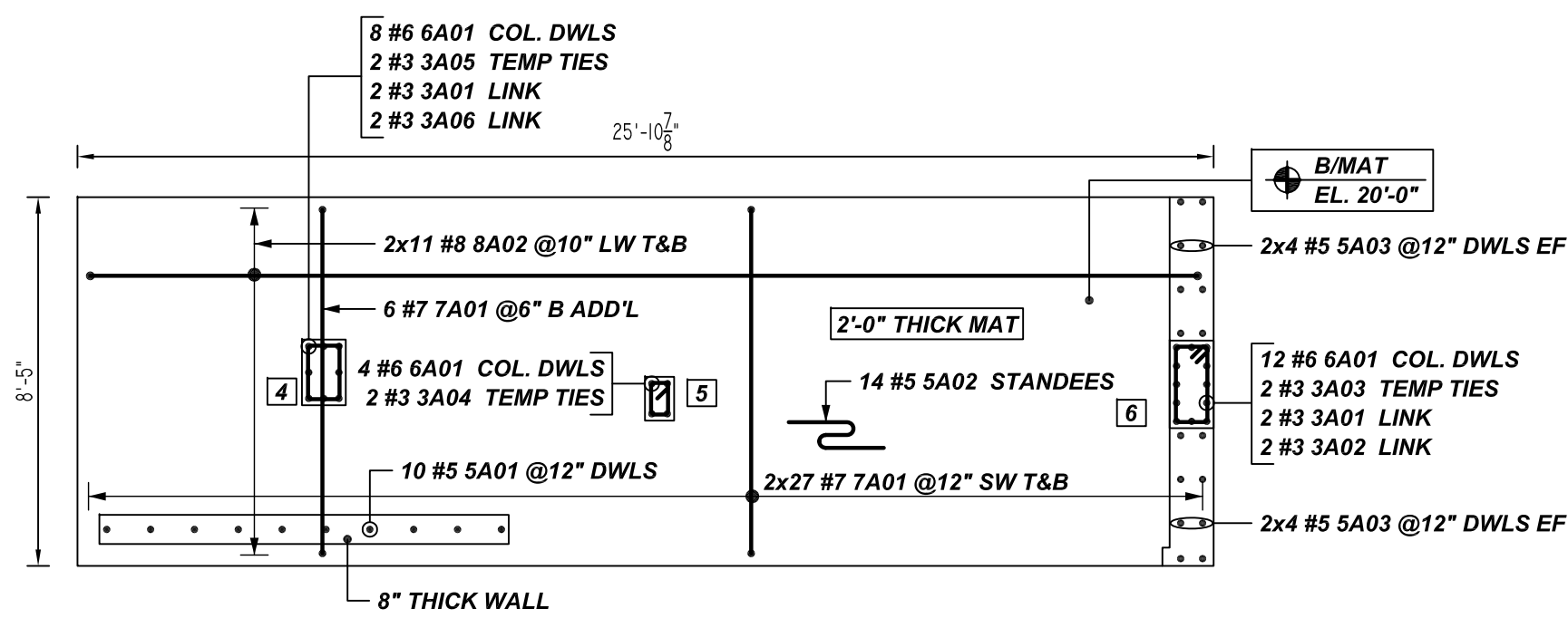
**ALL BARS IN THIS DRAWING
ASTM A615 GRADE 60
BLACK UNCOATED**

FOR APPROVAL

BENDING DETAILS									
Bar Mark	Qty	Size	Total Length	Type	X	Y	Z	W	V
SA01	4	#3	1'-7"	1	0'-5"	0'-9"			
SA02	4	#3	2'-7"	1	0'-5"	1'-9"			
SA03	4	#3	5'-11"	11	0'-5 X	0'-9"	1'-9"	0'-9"	1'-9"
SA04	46	#5	5'-9"	2	1'-0"	4'-9"			
SA05	40	#5	5'-0"	2	1'-0"	4'-0"			
SA06	53	#5	5'-11"	2	1'-0"	4'-11"			
SA07	54	#5	6'-0"	2	1'-0"	5'-0"			
SA08	20	#5	6'-11"	17	4'-11"	2'-0"			
SA09	38	#5	5'-9"	2	1'-0"	4'-0"			
TA10	67	#7	7'-9"	17	4'-9"	3'-0"			
TA11	8	#7	7'-11"	17	4'-11"	3'-0"			

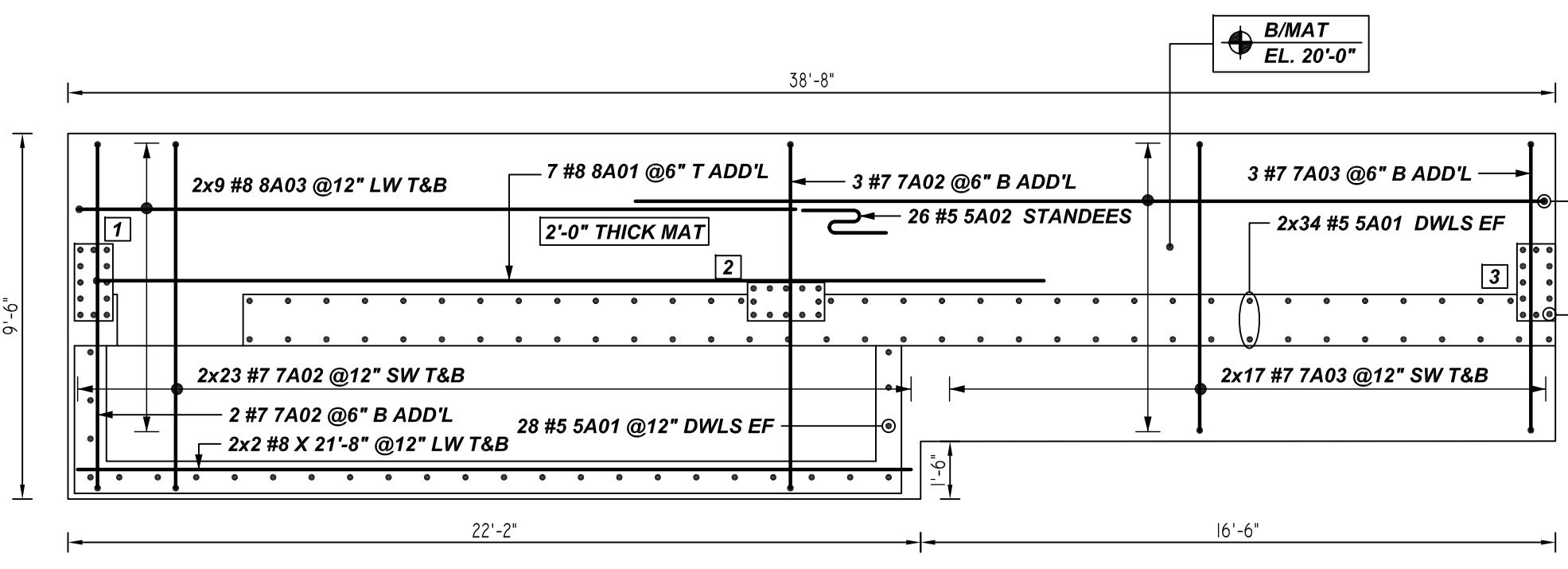


GRADE	A615/60(UNO)			STRUCTURE	FOUNDATION REINFORCEMENT DETAILS
PREFIX	A				FLOOR
BAR LIST NOS.				JOB NO	NC220077
REV	DESCRIPTION	ISSUED DATE	ISSUED FOR	CUSTOMER	-
0	IFA	09/21/2022	APPROVAL	JOB	630 GRAND ST
				LOCATION	BROOKLYN, N.Y
				DRAWN	DATE
				MRS	09/21/2022
				CONTROL CODE	-
				DWG. NO.	R01



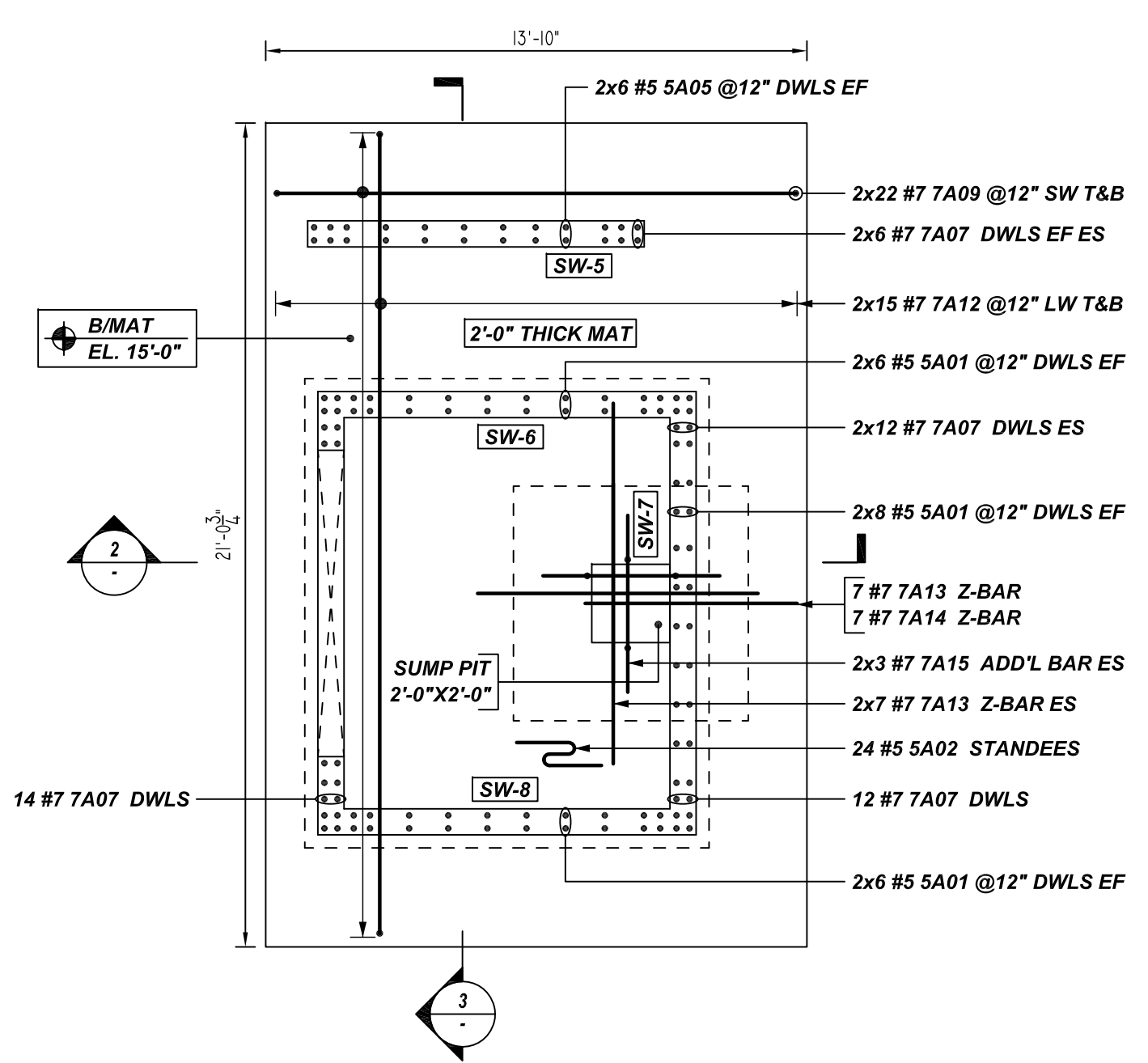
DETAIL-A
MAT FOUNDATION REINFORCEMENT DETAILS

REF: F0-004.00 (07/20/22)
SCALE: 1/4" = 1'-0"



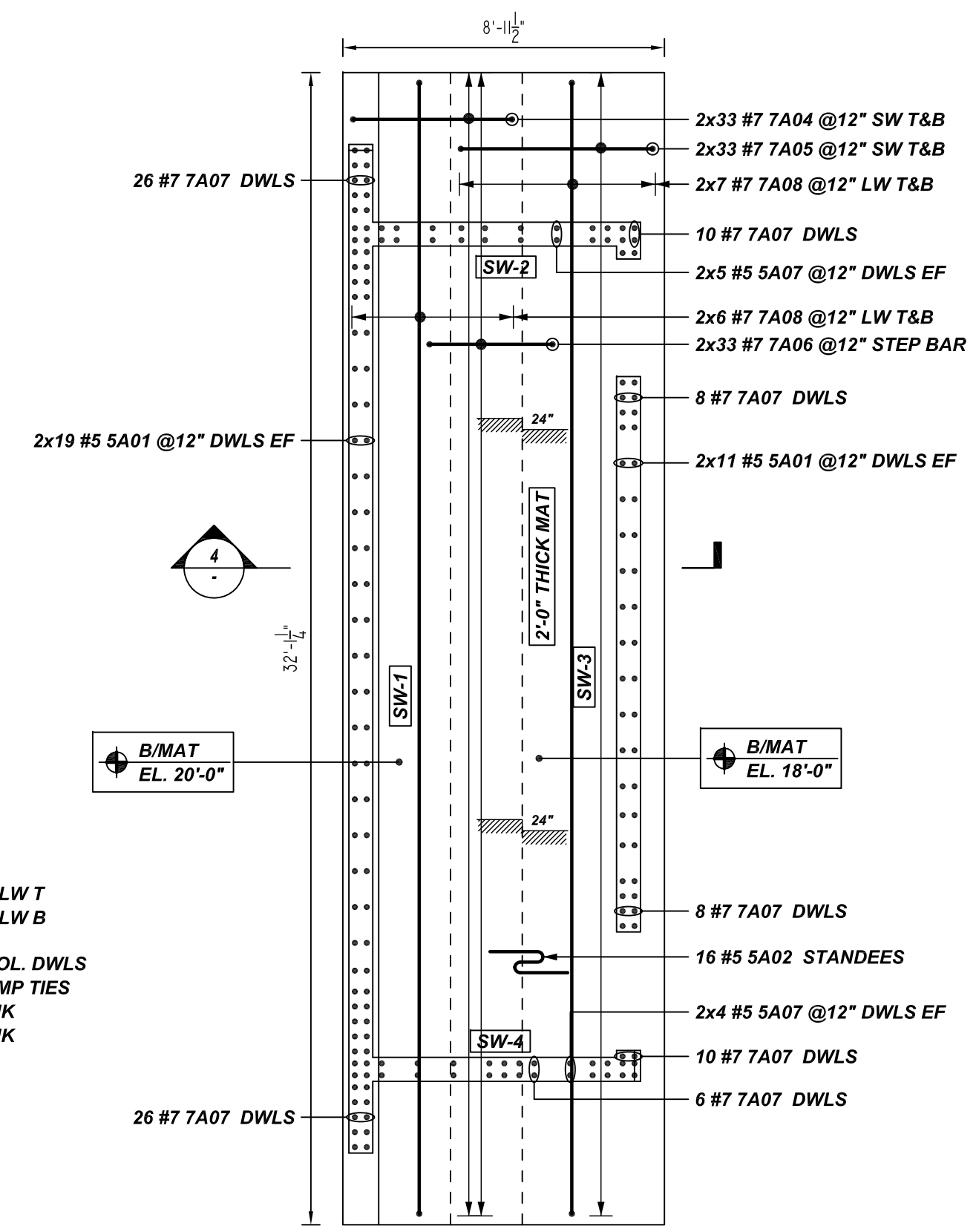
DETAIL-B
MAT FOUNDATION REINFORCEMENT DETAILS

REF: F0-004.00 (07/20/22)
SCALE: 1/4" = 1'-0"



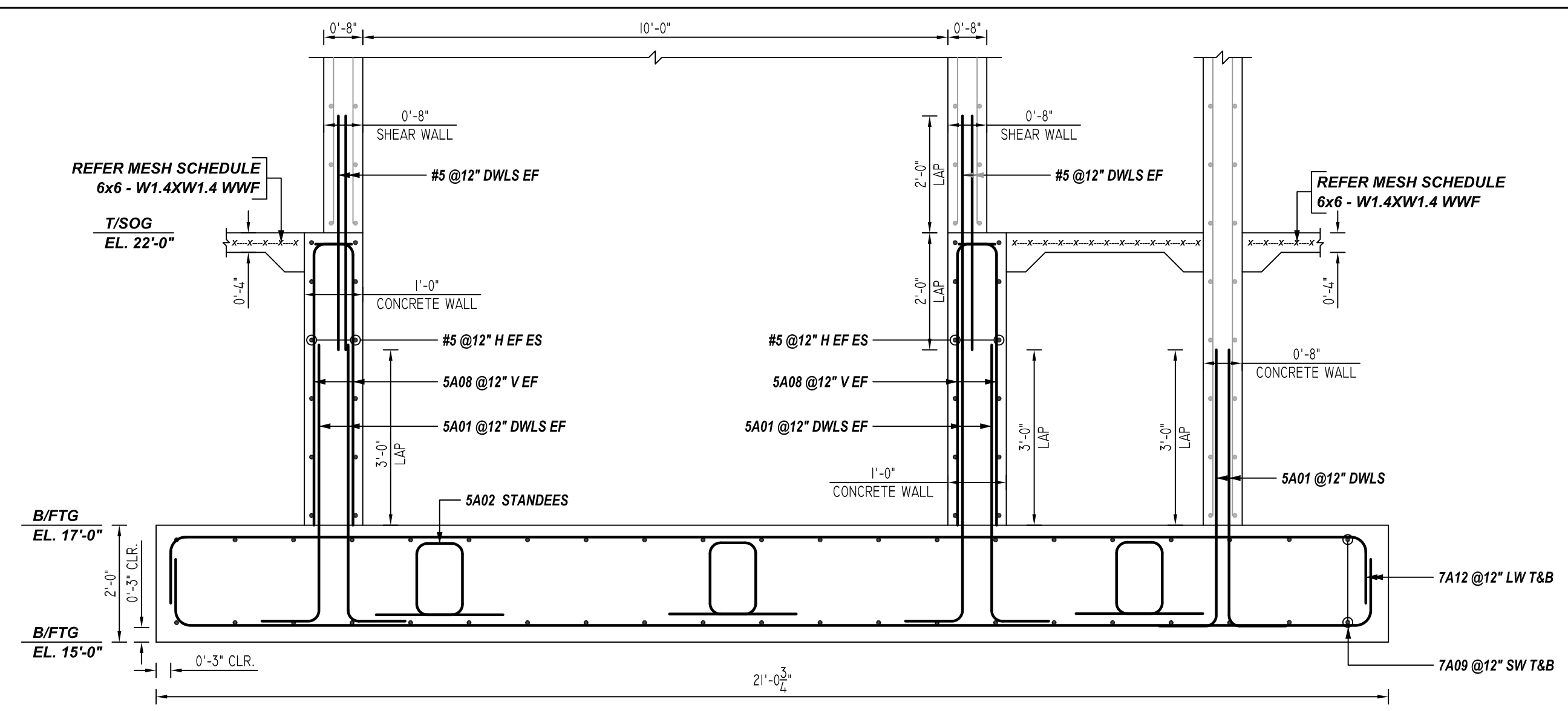
DETAIL-D
ELEVATOR PIT FOUNDATION REINFORCEMENT DETAILS

REF: F0-004.00 (07/20/22)
SCALE: 1/4" = 1'-0"

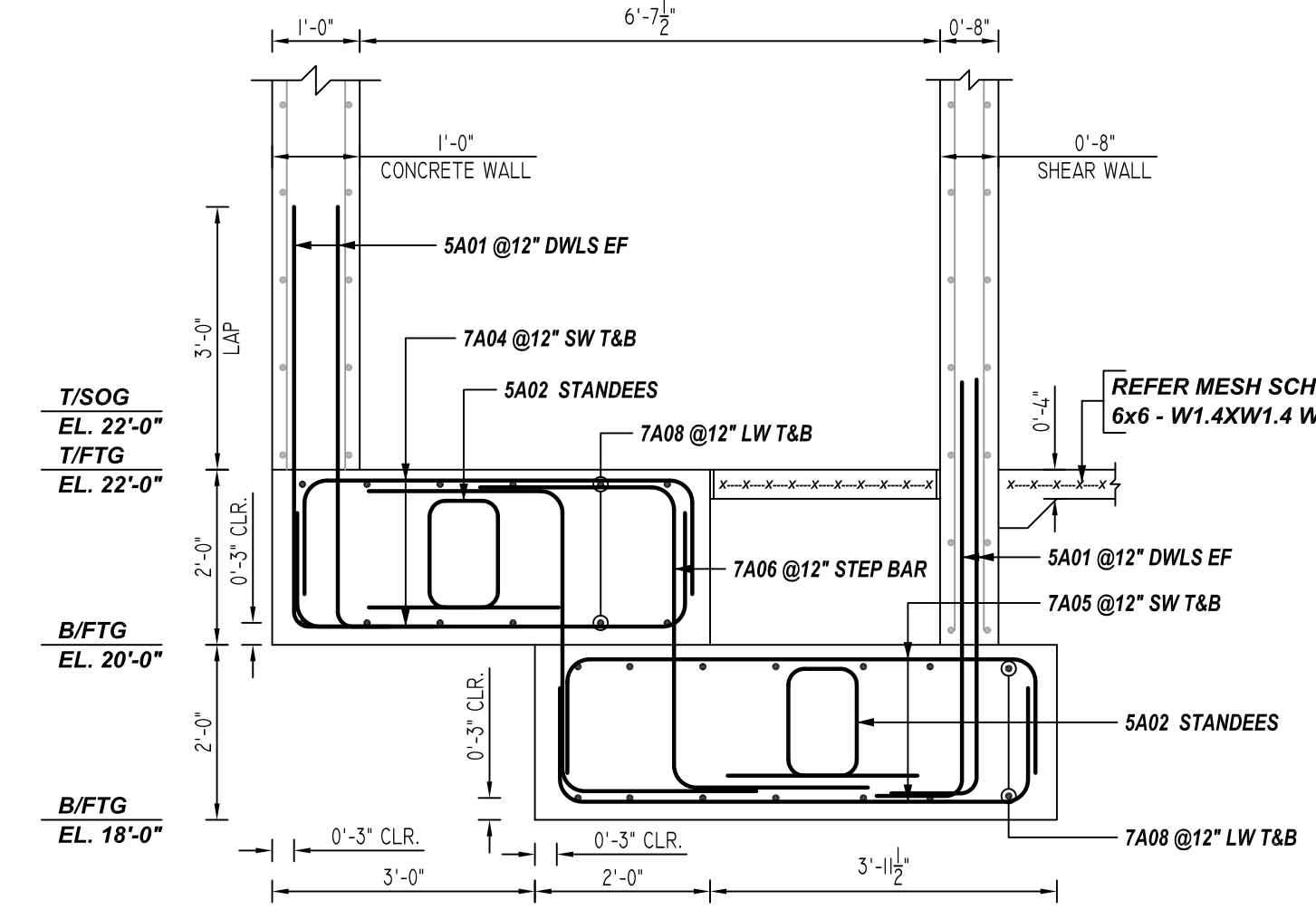


DETAIL-C
MAT FOUNDATION REINFORCEMENT DETAILS

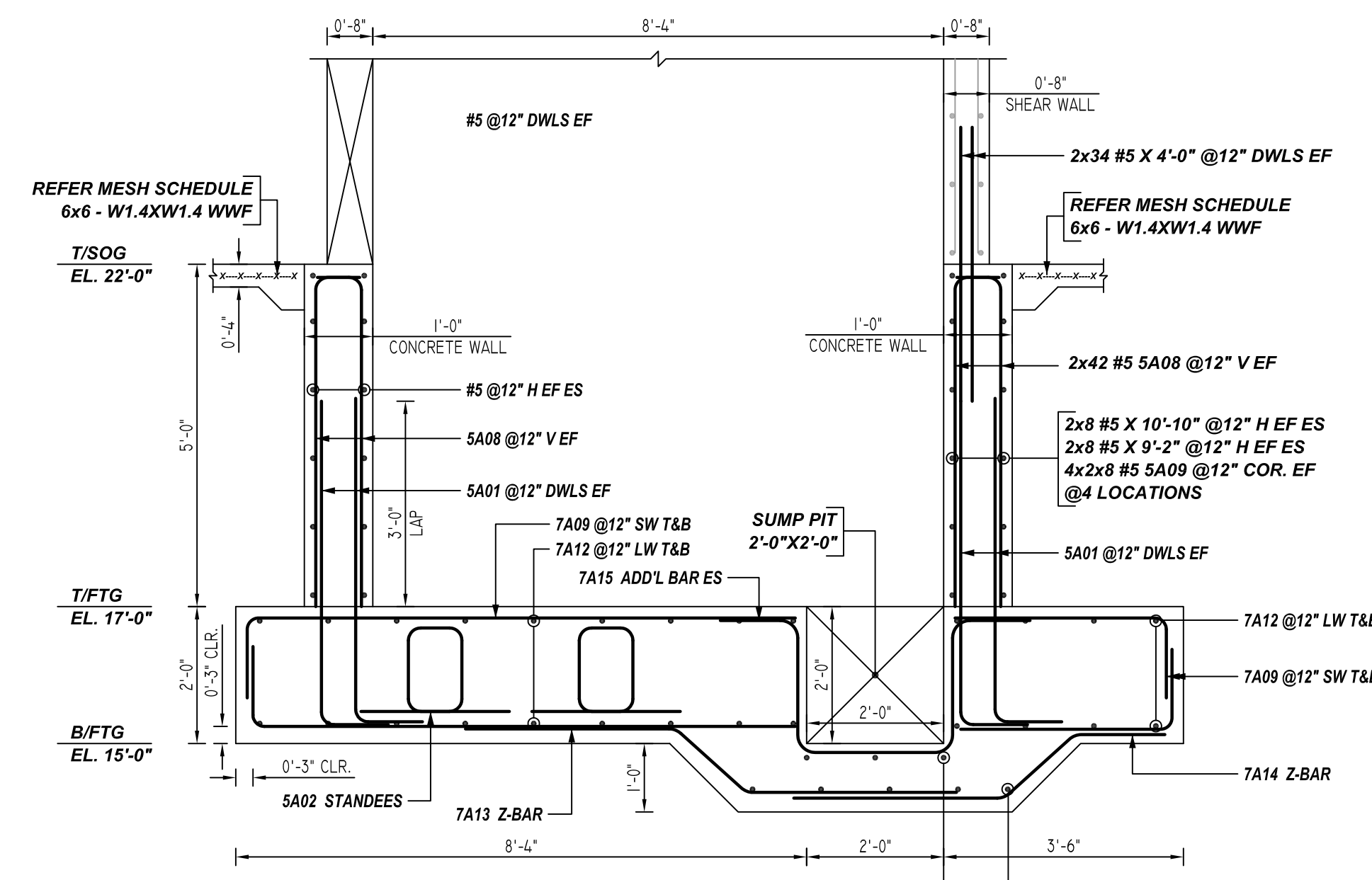
REF: F0-004.00 (07/20/22)
SCALE: 1/4" = 1'-0"



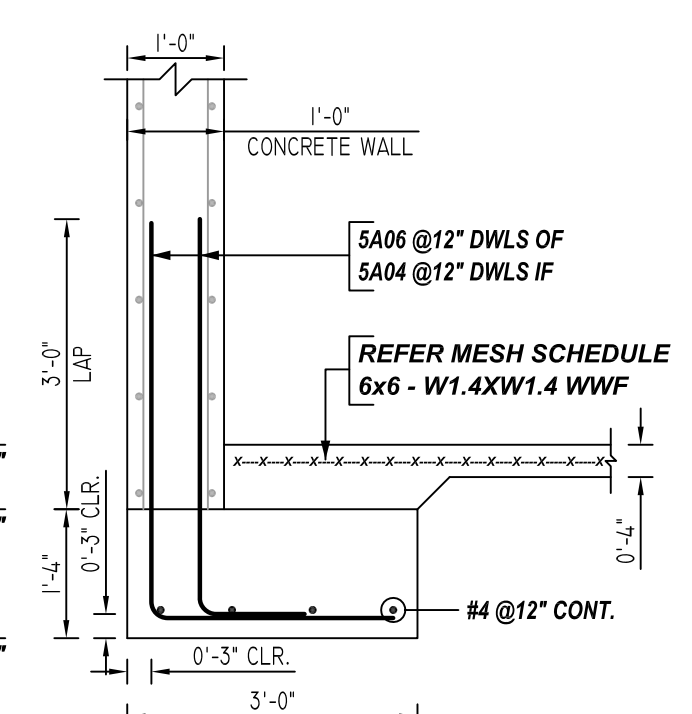
3 SECTION
REF: F0-005.00 (07/20/22)
SCALE: 1/2" = 1'-0"



4 SECTION
REF: F0-005.00 (07/20/22)
SCALE: 1/2" = 1'-0"

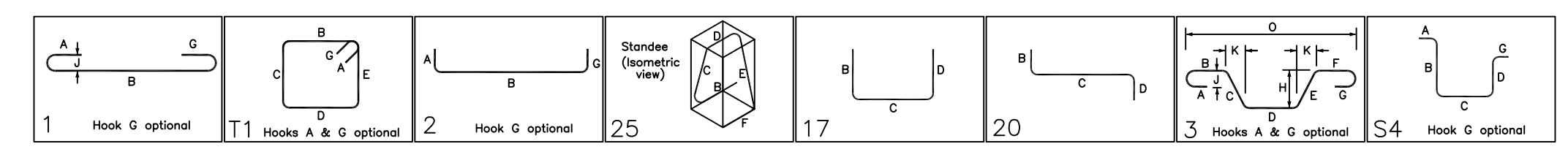


2 SECTION
REF: F0-005.00 (07/20/22)
SCALE: 1/2" = 1'-0"



1 SECTION
REF: F0-005.00 (07/20/22)
SCALE: 1/2" = 1'-0"

Bar Mark	Qty	Size	Total Length	Type	X	Y	Z	W	V	U	T	S	R	Q	P	O	N	M	L	K	J	I	H	G	F	E	D	C	B	A
3A01	10	#3	1'-7"	1	0'-5"	0'-5"																								
3A02	8	#3	2'-7"	1	0'-5"	1'-5"																								
3A03	8	#3	2'-11"	11	0'-5.5"	0'-5"			1'-3"	0'-5"	1'-3"																			
3A04	2	#3	2'-9"	11	0'-5.5"	0'-5"			0'-5"	0'-5"	0'-5"																			
3A05	2	#3	4'-0"	11	0'-5"	0'-5"			0'-5"	1'-3"	0'-5"	1'-3"																		
3A06	2	#3	2'-1"	1	0'-5"	1'-5"																								
5A01	204	#5	5'-0"	2	1'-0"	4'-0"																								
5A02	80	#5	6'-5"	25	1'-0"	1'-4"			1'-3"	0'-10"	1'-3"	1'-4"																		
5A03	16	#5	5'-0"	2	1'-0"	4'-0"																								
5A05	12	#5	6'-0"	2	1'-0"	5'-0"																								
5A07	16	#5	4'-0"	2	1'-0"	3'-0"																								
5A08	84	#5	4'-0"	17	1'-0"	4'-0"			4'-10"																					
5A09	64	#5	4'-0"	17	1'-0"	2'-0"																								
6A01	88	#6	5'-0"	2	1'-0"	4'-0"																								
7A01	88	#7	10'-5"	2	1'-2"	7'-11"																								
7A02	58	#7	11'-4"	2	1'-2"	7'-0"																								
7A03	38	#7	9'-10"	2	1'-2"	7'-4"																								
7A04	66	#7	7'-2"	2	1'-4"	4'-4"																								
7A05	66	#7	6'-1"	2	1'-4"	5'-5"																								
7A06	66	#7	6'-0"	20	1'-0"	2'-5"			3'-6"	2'-5"																				
7A07	156	#7	6'-0"	2	1'-0"	5'-0"																								
7A08	28	#7	10'-11"	2	1'-2"	10'-7"																								
7A09	44	#7	10'-5"	2	1'-2"	10'-4"																								
7A12	38	#7	22'-10"	2	1'-2"	20'-5"																								
7A13	24	#7	7'-4.5"	3	1'-1"	1'-4"			1'-4"	3'-1"																				
7A14	7	#7	5'-9.5"	3	1'-4"	1'-4.5"			3'-1"																					
7A15	6	#7	8'-8"	54	1'-2"	2'-0"			2'-4"	2'-0"																				
8A01	7	#8	26'-0"	2	1'-4"	24'-5"																								
8A02	22	#8	26'-0"	2	1'-4"	25'-4"																								
8A03	18	#8	26'-0"	2	1'-4"	19'-5"																								
8A04	9	#8	26'-5"	2	1'-4"	24'-11"																								
8A05	9	#8	25'-0"	2	1'-4"	23'-5"																								



LAP SCHEDULE

5000 PSI (CLASS-B) CASE - 1
Per ACI 318 (12.2.2)

BAR#	LENGTHS	
	TOP	OTHERS
#3	1'-4"	1'-4"
#4	1'-10"	1'-5"
#5	2'-3"	1'-9"
#6	3'-0"	2'-3"
#7	4'-0"	2'-11"
#8	5'-4"	4'-1"
#9	6'-9"	5'-2"
#10	8'-6"	6'-7"
#11	10'-6"	8'-3"

ALL TOP BARS ARE DEFINED AS HORIZ BARS WITH MORE THAN 12" OF CONCRETE BELOW BARS.

ALL BARS IN THIS DRAWING
ASTM A615 GRADE 60
BLACK UNCOATED

FOR APPROVAL

GRADE	A615/60(UNO)				
PREFIX	A				
BAR LIST NOS.					
REV	DESCRIPTION	ISSUED DATE	ISSUED FOR	STRUCTURE	FOUNDATION REINFORCEMENT DETAILS
0	IFA	09/21/2022	APPROVAL	FLOOR	CELLAR LEVEL
				JOB NO	NC220077
				CUSTOMER	
				JOB	630 GRAND ST
				LOCATION	BROOKLYN, N.Y
				DRAWN	DATE
				MRS	09/16/2022
				CONTROL CODE	
				DWG. NO.	R02