

**LAP SCHEDULE**

5000 PSI (CLASS-B) CASE - 1  
Per ACI 318 (12.2.2)

BAR#	LENGTHS	
	TOP	OTHERS
#3	1'-4"	1'-4"
#4	1'-10"	1'-5"
#5	2'-3"	1'-9"
#6	3'-0"	2'-3"
#7	4'-0"	2'-11"
#8	5'-4"	4'-1"
#9	6'-9"	5'-2"
#10	8'-6"	6'-7"
#11	10'-6"	8'-3"

ALL TOP BARS ARE DEFINED AS HORIZ BARS WITH MORE THAN 12" OF CONCRETE BELOW BARS.

**TYPICAL REINFORCING BAR CLEARANCE TABLE**

LOCATION	MIN. COVER
WALL SIDE	2" CLR
WALL TOP	2" CLR

**ALL BARS IN THIS DRAWING  
ASTM A615 GRADE 60  
BLACK UNCOATED**

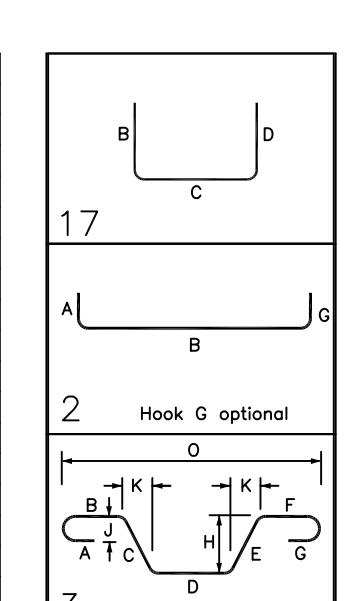
FOR APPROVAL

**CELLAR AND FOUNDATION PLAN**

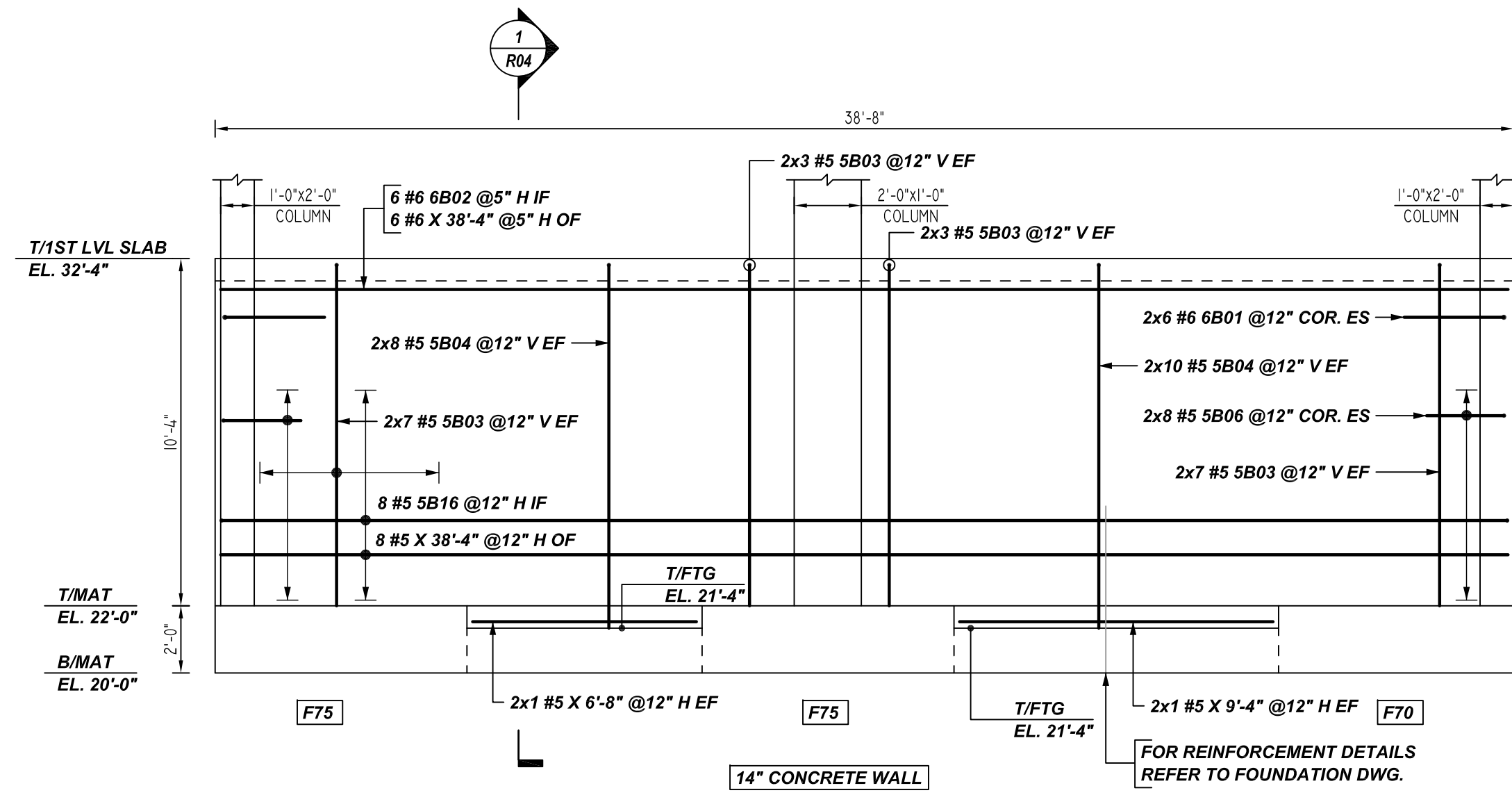
REF: F0-004.00 (07/20/22)  
SCALE: 1/4" = 1'-0"

Release Number: 003

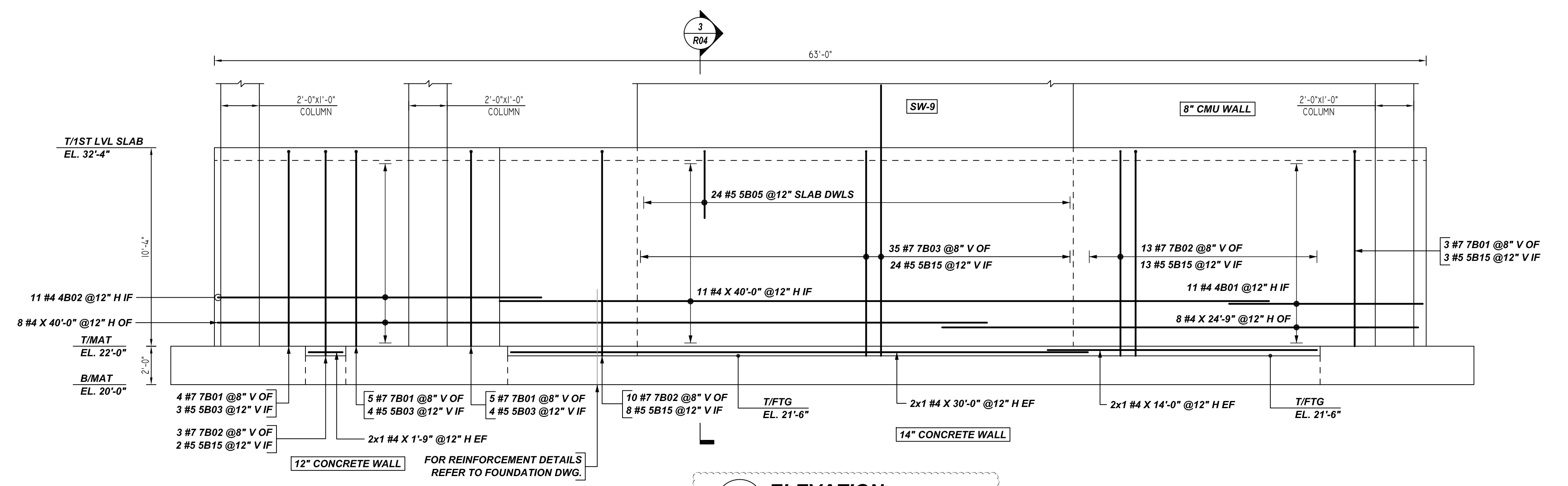
Bar Mark	Qty	Size	Total Length	Type	X	Y	Z	W	V	U	T	S	R	Q	P	O	N	M	L	K	J	I	H	G	F	E	D	C	B	A
4903	44	#4	4'-0"	17																										
5901	11	#5	25'-7"	2	0'-10"	24'-9"																								
5902	11	#5	6'-10"	2	0'-10"	6'-0"																								
5903	65	#5	12'-6"	17			2'-4"	10'-2"																						
5904	42	#5	13'-2"	17			2'-4"	10'-10"																						
5905	29	#5	6'-5"	17			3'-0"	3'-5"																						
5907	74	#5	12'-8"	17			2'-4"	10'-2"																						
5908	18	#5	17'-4"	17			2'-4"	14'-10"																						
5909	6	#5	4'-6"	17			2'-4"	2'-2"																						
5910	34	#5	6'-4"	17			2'-4"	4'-0"																						
5911	3	#5	7'-7"	2	0'-10"	6'-8"																								
5912	3	#5	3'-6"	17			2'-4"	1'-2"																						
5913	33	#5	10'-2"	17			0'-10"	6'-2"																						
5914	11	#5	24'-3"	2	0'-10"	33'-9"																								
7904	1	#7	11'-4"	2	1'-2"	10'-2"																								
7905	1	#7	5'-11"	3	1'-8"	4'-3"																								



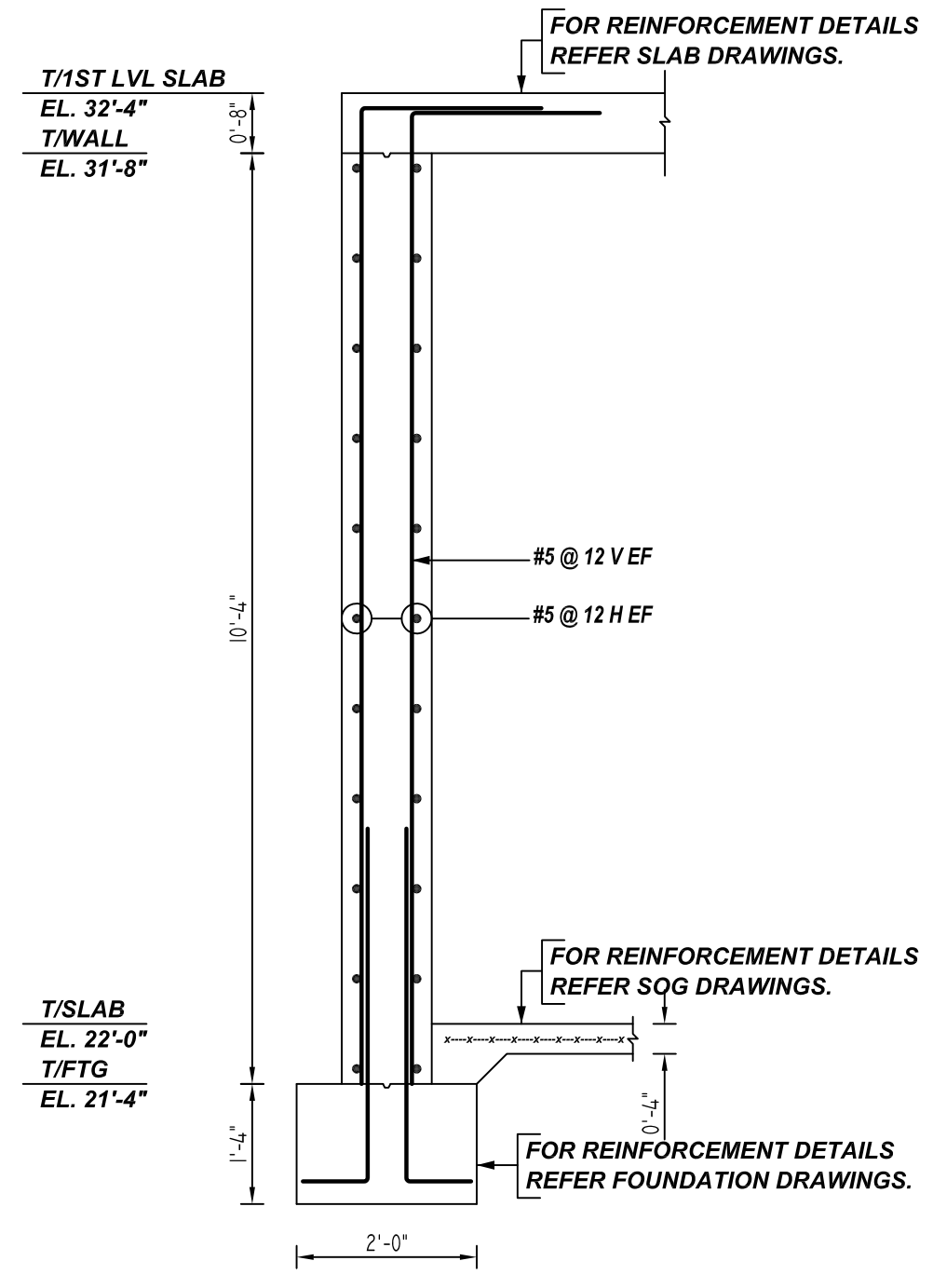
GRADE	A615/60(UNO)				
PREFIX	B				
BAR LIST NOS.					
REV	DESCRIPTION	ISSUED DATE	ISSUED FOR	STRUCTURE	FOUNDATION WALL REINFORCEMENT DETAILS
0	IFA	09/28/2022	APPROVAL	FLOOR	(STATION 15'-0" TO 32'-4")
				JOB NO	NC220077
				CUSTOMER	
				JOB	630 GRAND ST
				LOCATION	BROOKLYN, N.Y
				DRAWN	
				DATE	
				CONTROL CODE	
				DWG. NO.	
MRS	09/28/2022				R03



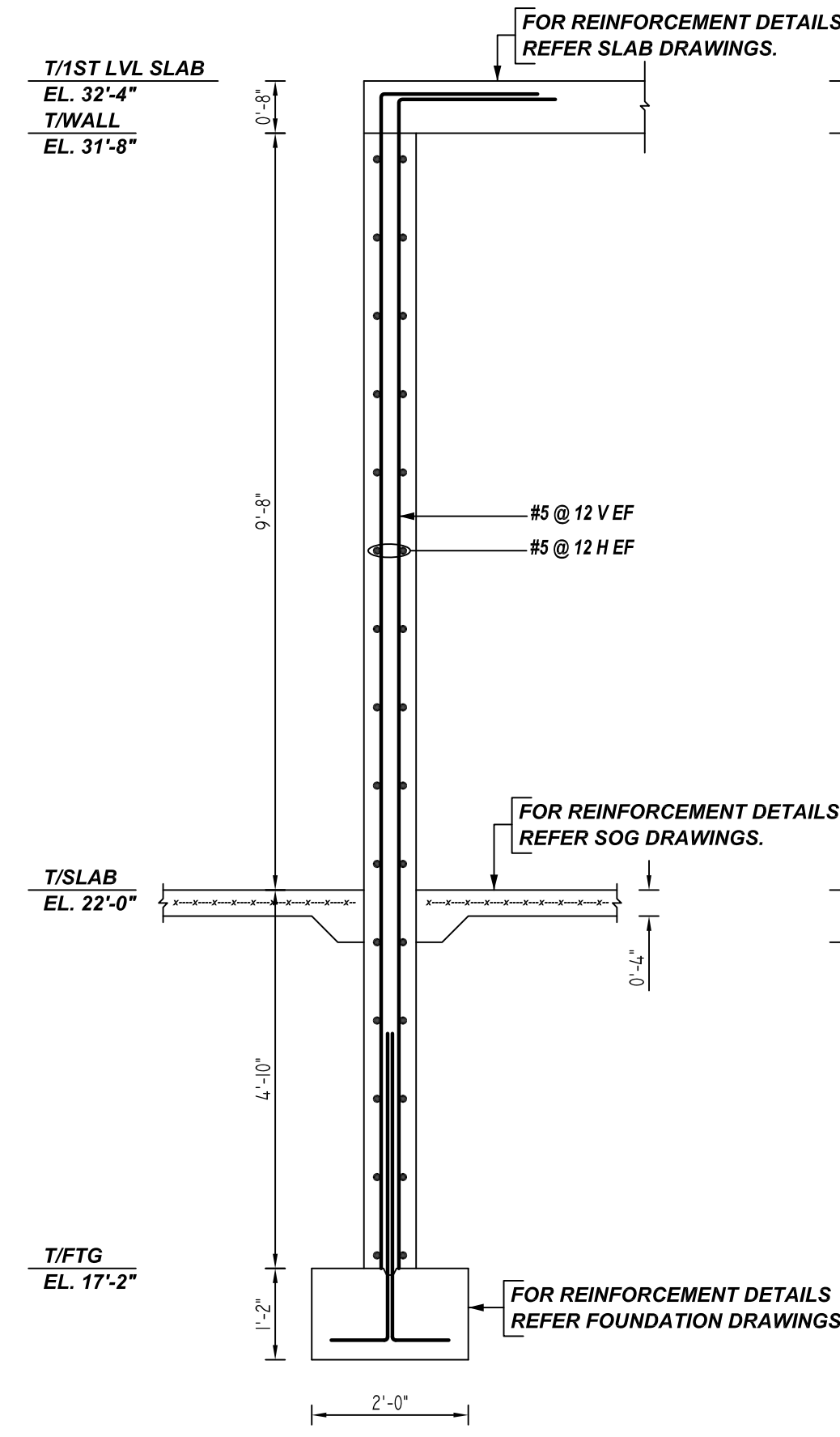
**F ELEVATION**  
 REF: F0-004.00, A-101.00 & A-402.00 (07/20/22)  
 SCALE: 1/4" = 1'-0"  
 A/E PLEASE VERIFY REINFORCEMENT DETAILS (TYP.)



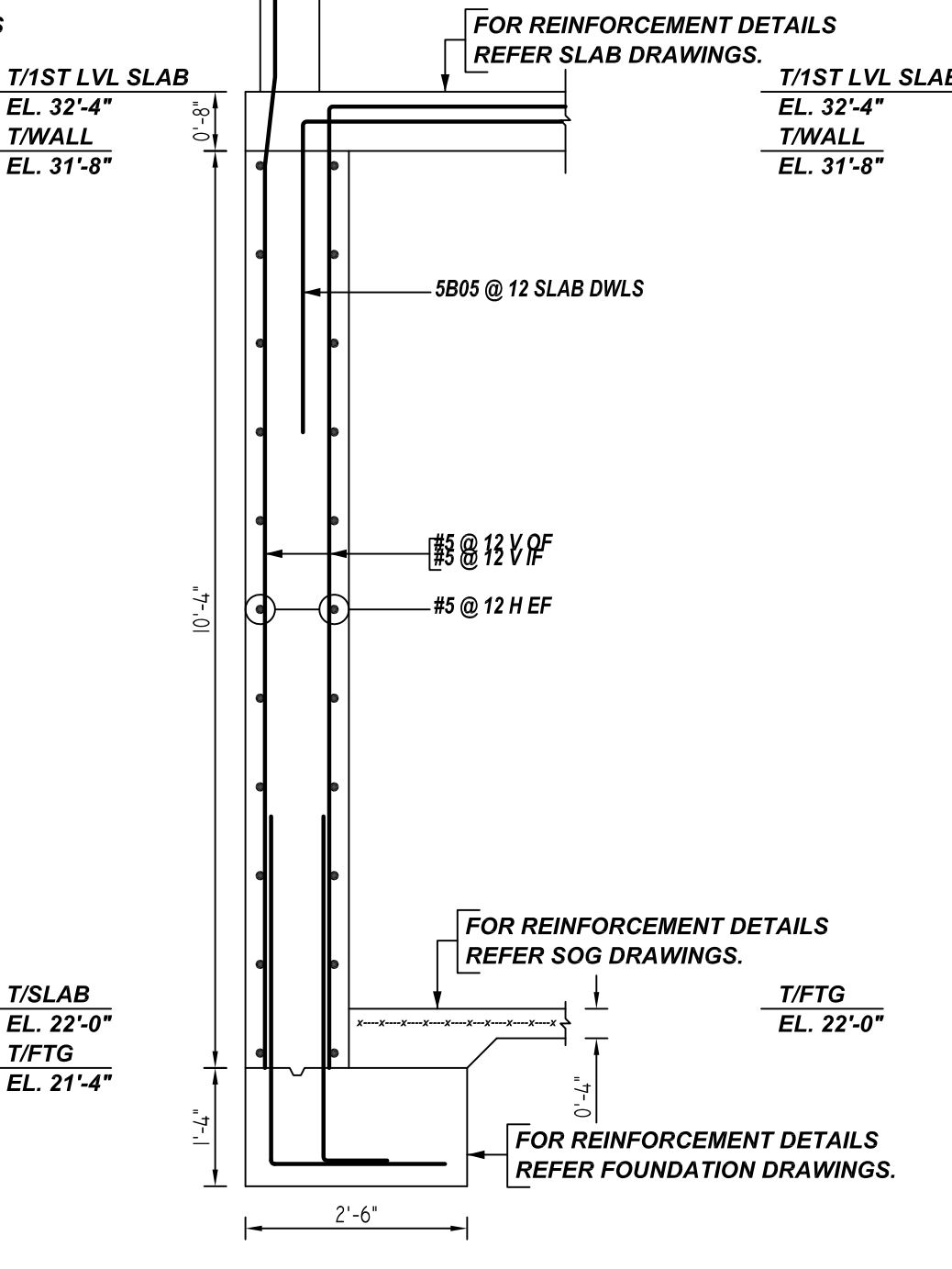
**G ELEVATION**  
 REF: F0-004.00, A-101.00 & A-402.00 (07/20/22)  
 SCALE: 1/4" = 1'-0"



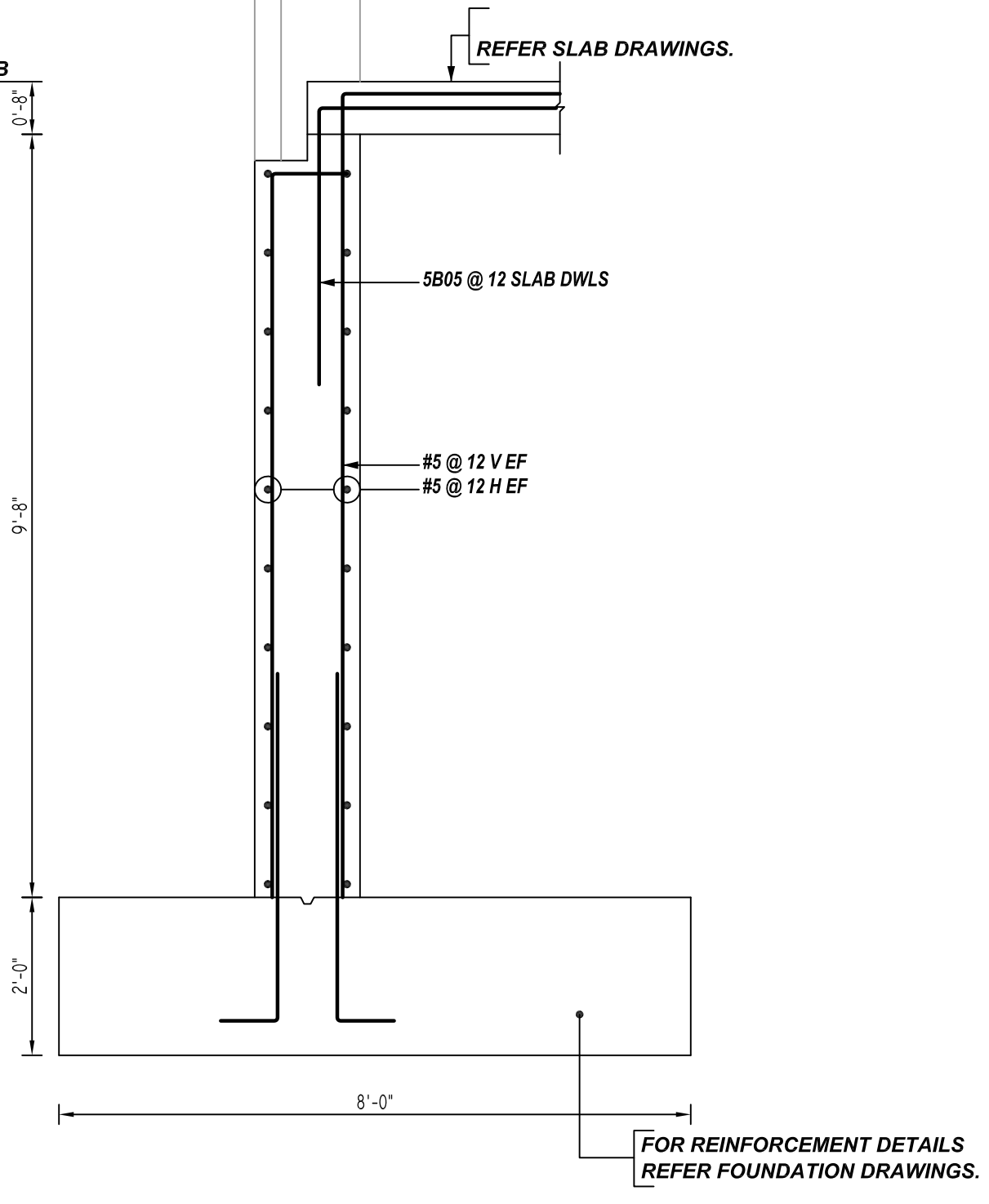
**1 SECTION**  
 REF: F0-004.00, 403/F0-005.00 & 530/S-052.00 (DT.07/20/22)  
 SCALE: 1/2" = 1'-0"



**2 SECTION**  
 REF: F0-004.00 & 408/F0-005.00 (DT.07/20/22)  
 SCALE: 1/2" = 1'-0"

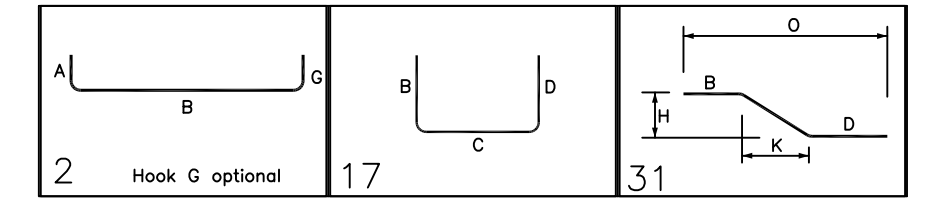


**3 SECTION**  
 REF: F0-004.00, 404/F0-005.00 & 531, 532/S-052.00 (DT.07/20/22)  
 SCALE: 1/2" = 1'-0"



**4 SECTION**  
 REF: F0-004.00, 402/F0-005.00 & 533/S-052.00 (DT.07/20/22)  
 SCALE: 1/2" = 1'-0"

Bar Mark	Qty	Size	Total Length	Type	X	Y	Z	BENDING DETAILS												
4801	14	#4	10'-9"	2	0'-8"	10'-1"														
4802	11	#4	17'-4"	2	0'-8"	16'-10"														
5803	51	#5	12'-6"	17	2'-4"	10'-2"														
5804	36	#5	15'-2"	17	2'-4"	10'-10"														
5805	24	#5	6'-8"	17	3'-0"	3'-6"														
5806	16	#5	4'-8"	17	2'-4"	2'-4"														
5815	50	#5	15'-0"	17	2'-4"	10'-8"														
5816	8	#5	40'-0"	2	0'-10"	38'-4"														
6801	12	#6	6'-0"	17	3'-0"	3'-0"														
6802	6	#6	40'-0"	2	0'-10"	38'-4"														
7801	17	#7	12'-6"	17	2'-4"	10'-2"														
7802	26	#7	15'-0"	17	2'-4"	10'-8"														
7803	35	#7	14'-1"	31	3'-1"	1'-0"	10'-0"													



**LAP SCHEDULE**  
 5000 PSI (CLASS-B) CASE - 1  
 Per ACI :318 (12.2.2)

BAR#	LENGTHS	
	TOP	OTHERS
#3	1'-4"	1'-4"
#4	1'-10"	1'-5"
#5	2'-3"	1'-9"
#6	3'-0"	2'-3"
#7	4'-0"	2'-11"
#8	5'-4"	4'-1"
#9	6'-9"	5'-2"
#10	8'-6"	6'-7"
#11	10'-6"	8'-3"

**TYPICAL REINFORCING BAR CLEARANCE TABLE**

LOCATION	MIN. COVER
WALL SIDE	2" CLR
WALL TOP	2" CLR

**ALL BARS IN THIS DRAWING  
 ASTM A615 GRADE 60  
 BLACK UNCOATED**

FOR APPROVAL

ALL TOP BARS ARE DEFINED AS HORIZ BARS WITH MORE THAN 12" OF CONCRETE BELOW BARS.

GRADE	A775/60(UNO)		
PREFIX	B		
BAR LIST NOS.			
REV	DESCRIPTION	ISSUED DATE	ISSUED FOR
0	IFA	09/28/2022	APPROVAL
STRUCTURE	FOUNDATION WALL REINFORCEMENT DETAILS		
FLOOR	(STATION 15'-0" TO 32'-4")		
JOB NO	NC220077		
CUSTOMER	-		
JOB	630 GRAND ST		
LOCATION	BROOKLYN, N.Y		
DRAWN	DATE	CONTROL CODE	DWG. NO.
MRS	09/28/2022	-	R04