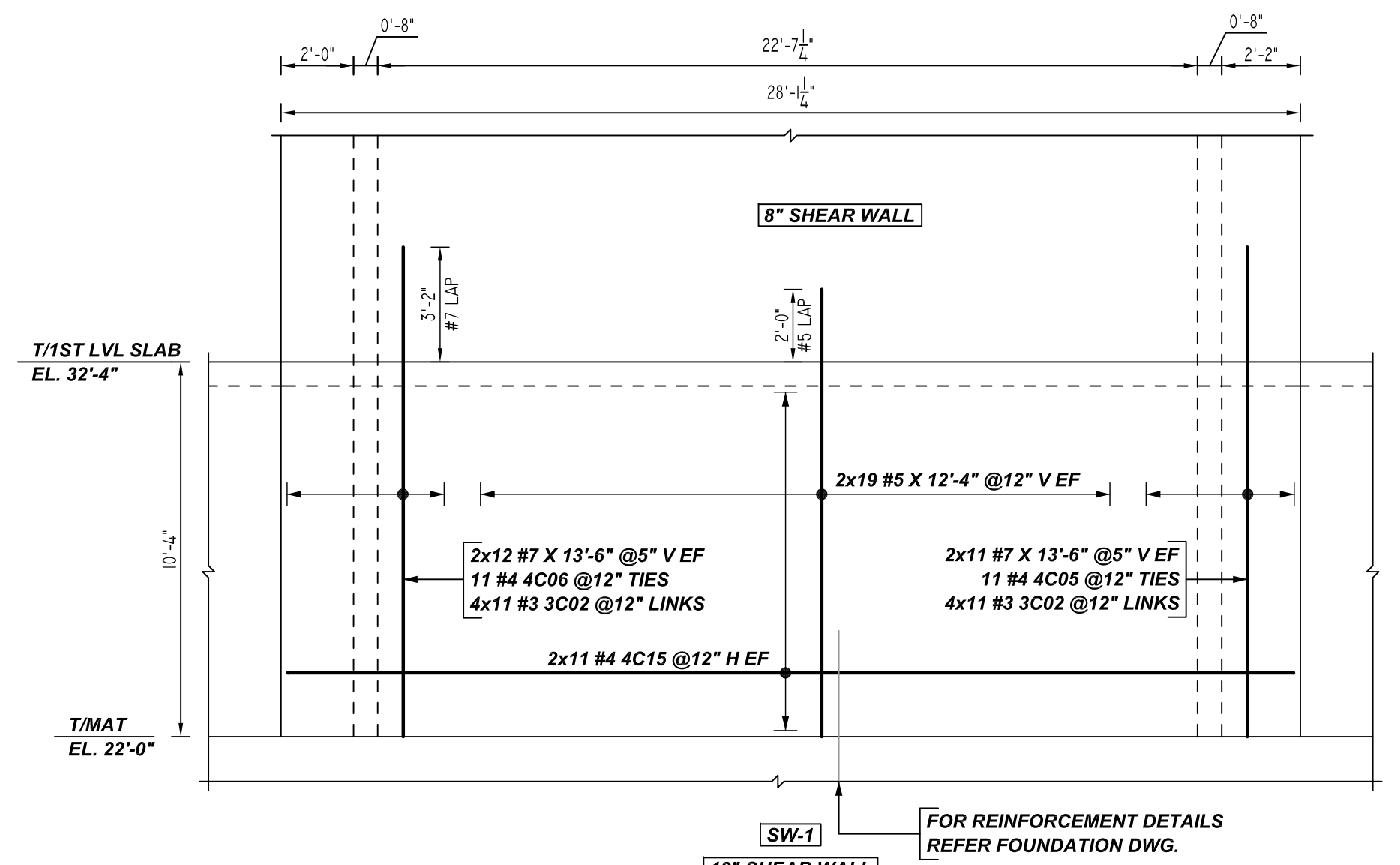
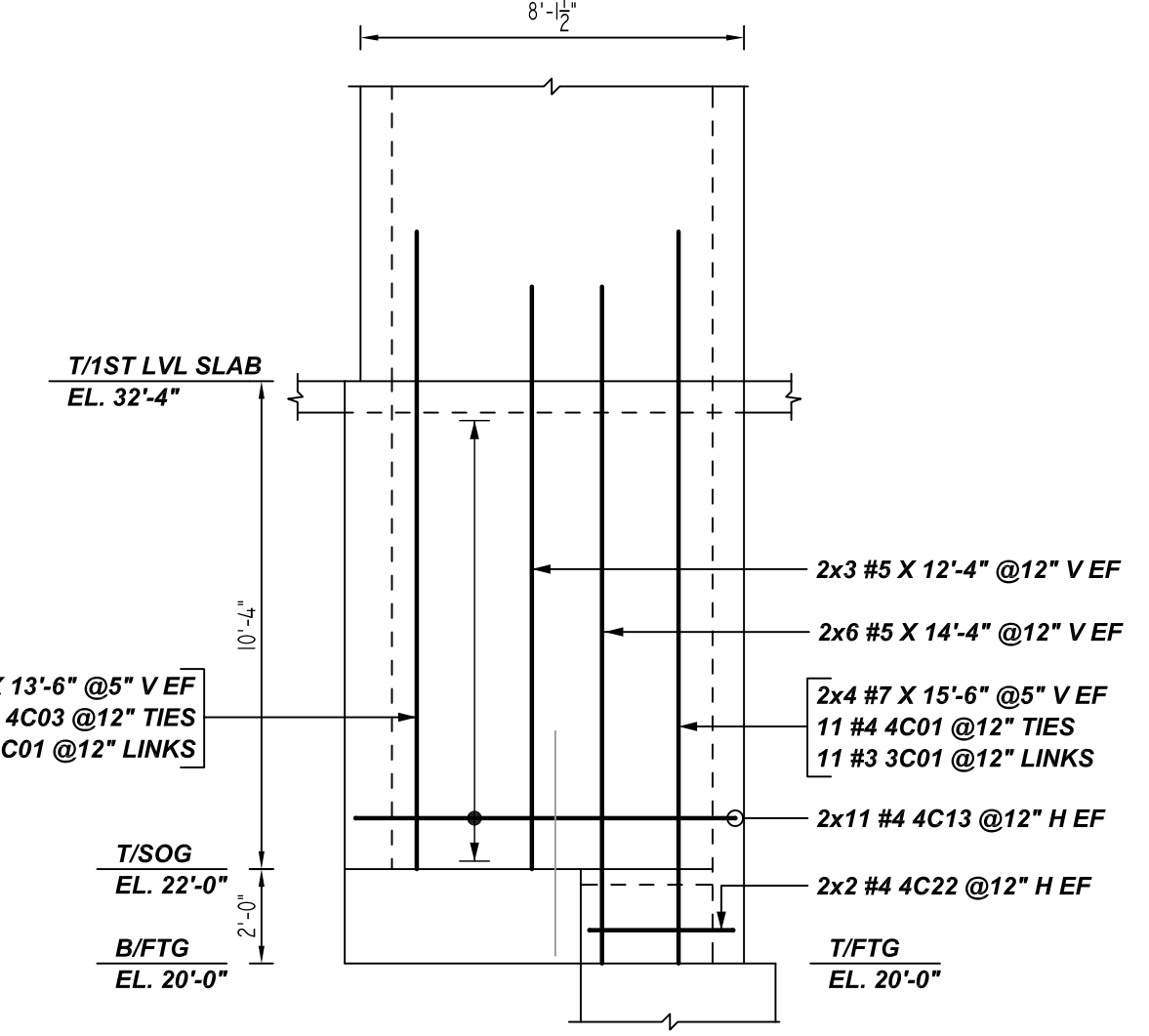


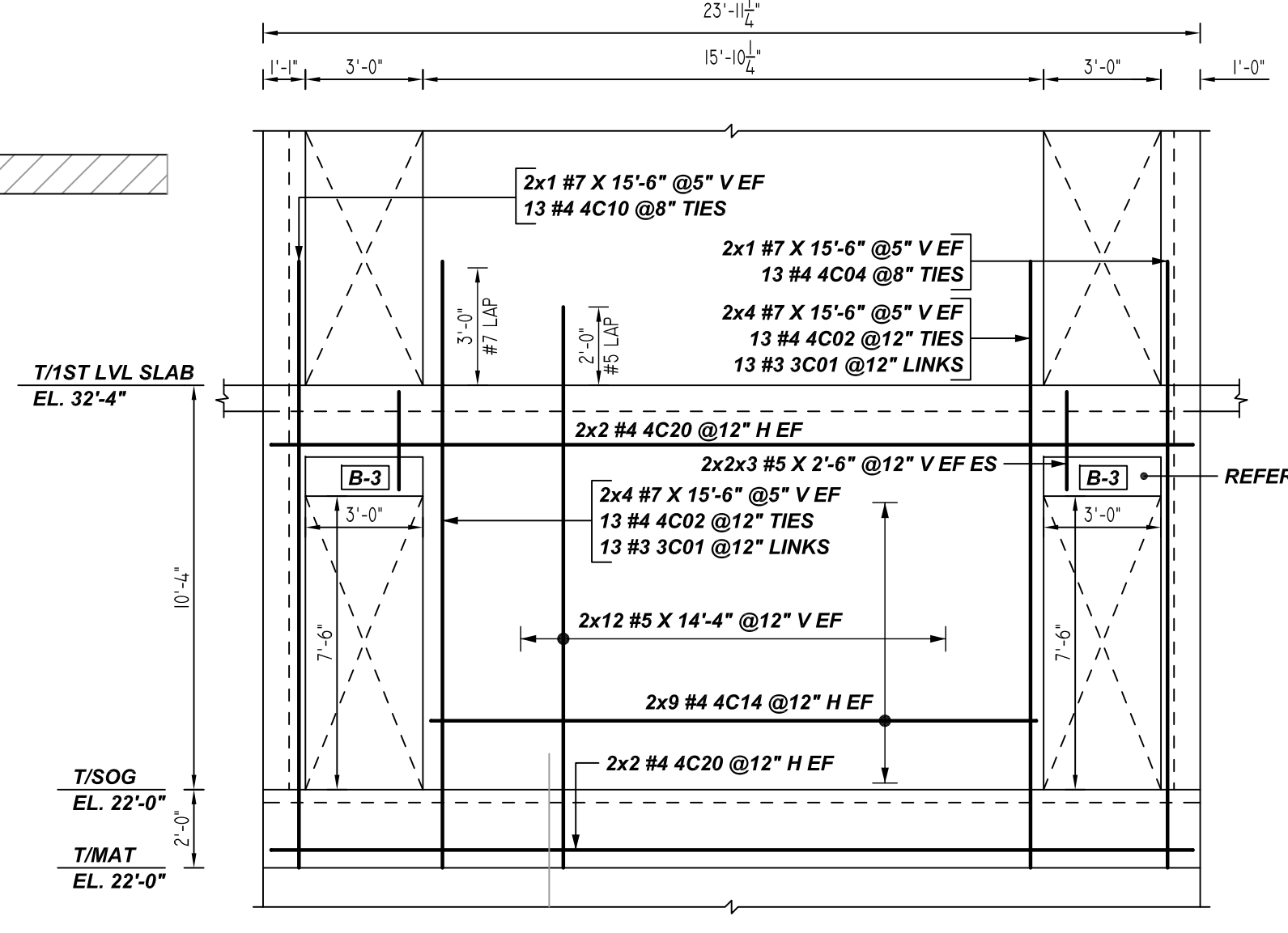
CELLAR TO 1ST FLOOR SHEAR WALL LAYOUT
 REF: F0-004.00 (07/20/22)
 SCALE: 1/4" = 1'-0"



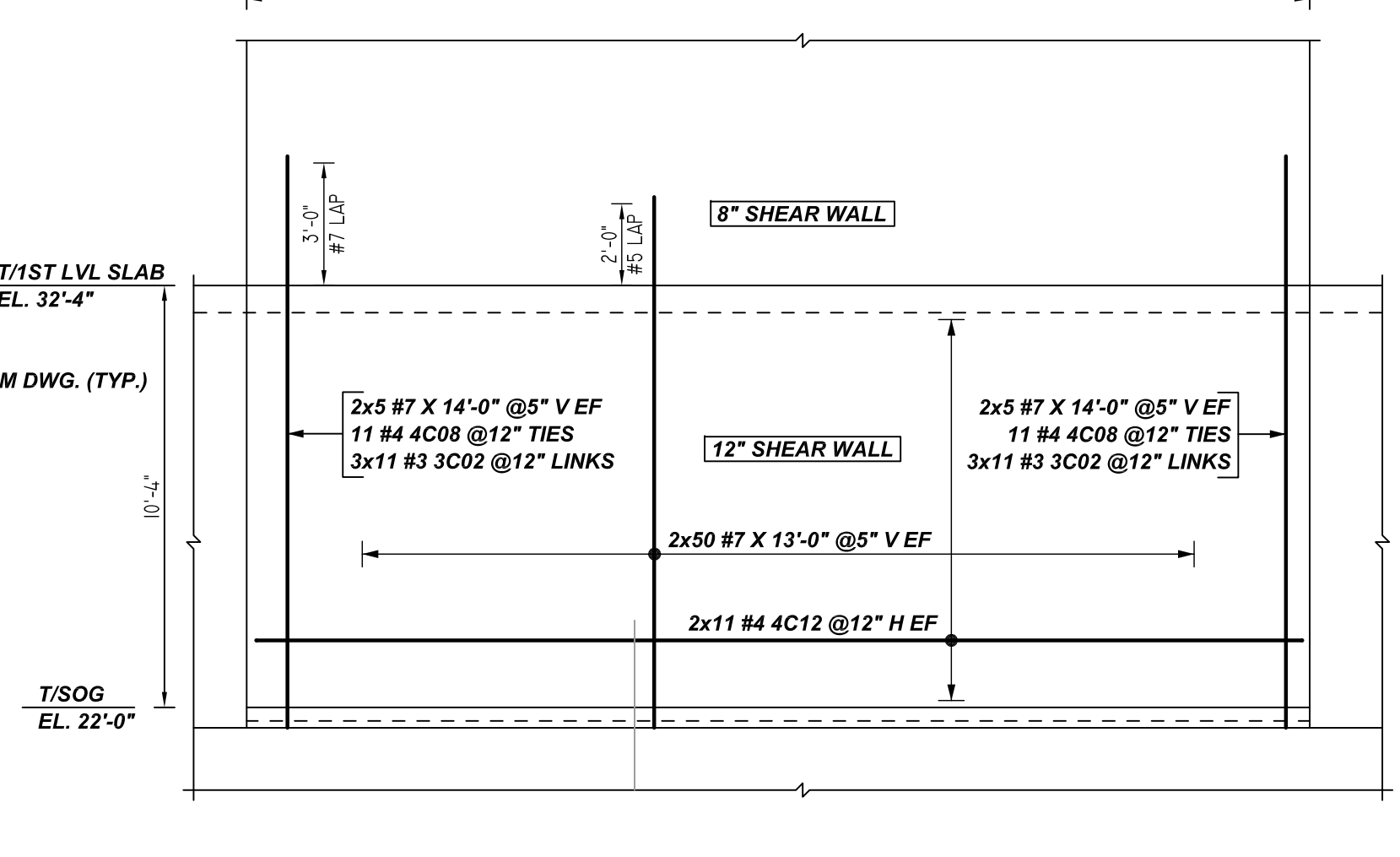
A ELEVATION
 REF: S-061.00 & S-062.00(07/20/22)
 SCALE: 1/4" = 1'-0"



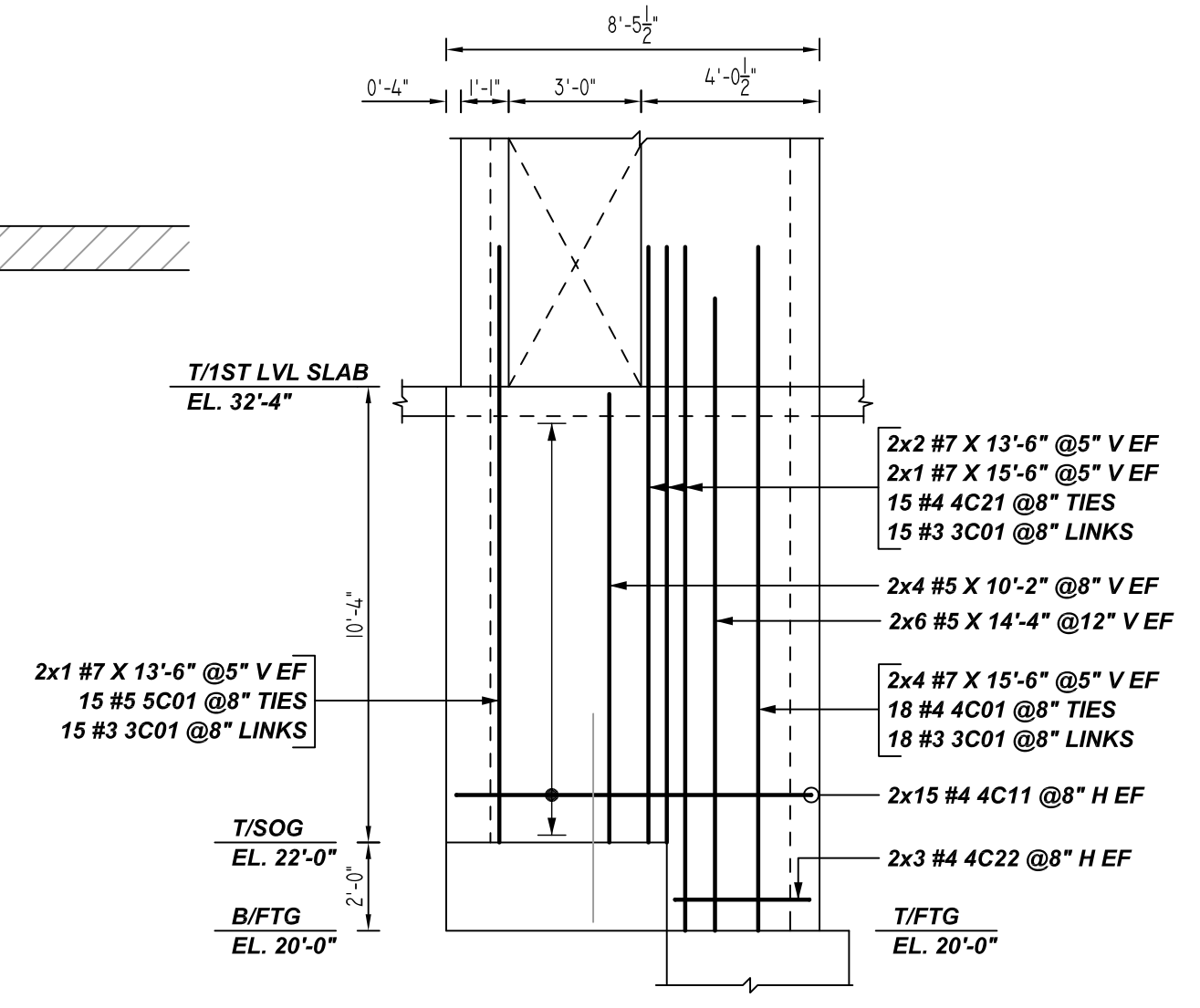
B ELEVATION
 REF: S-061.00 & S-062.00(07/20/22)
 SCALE: 1/4" = 1'-0"



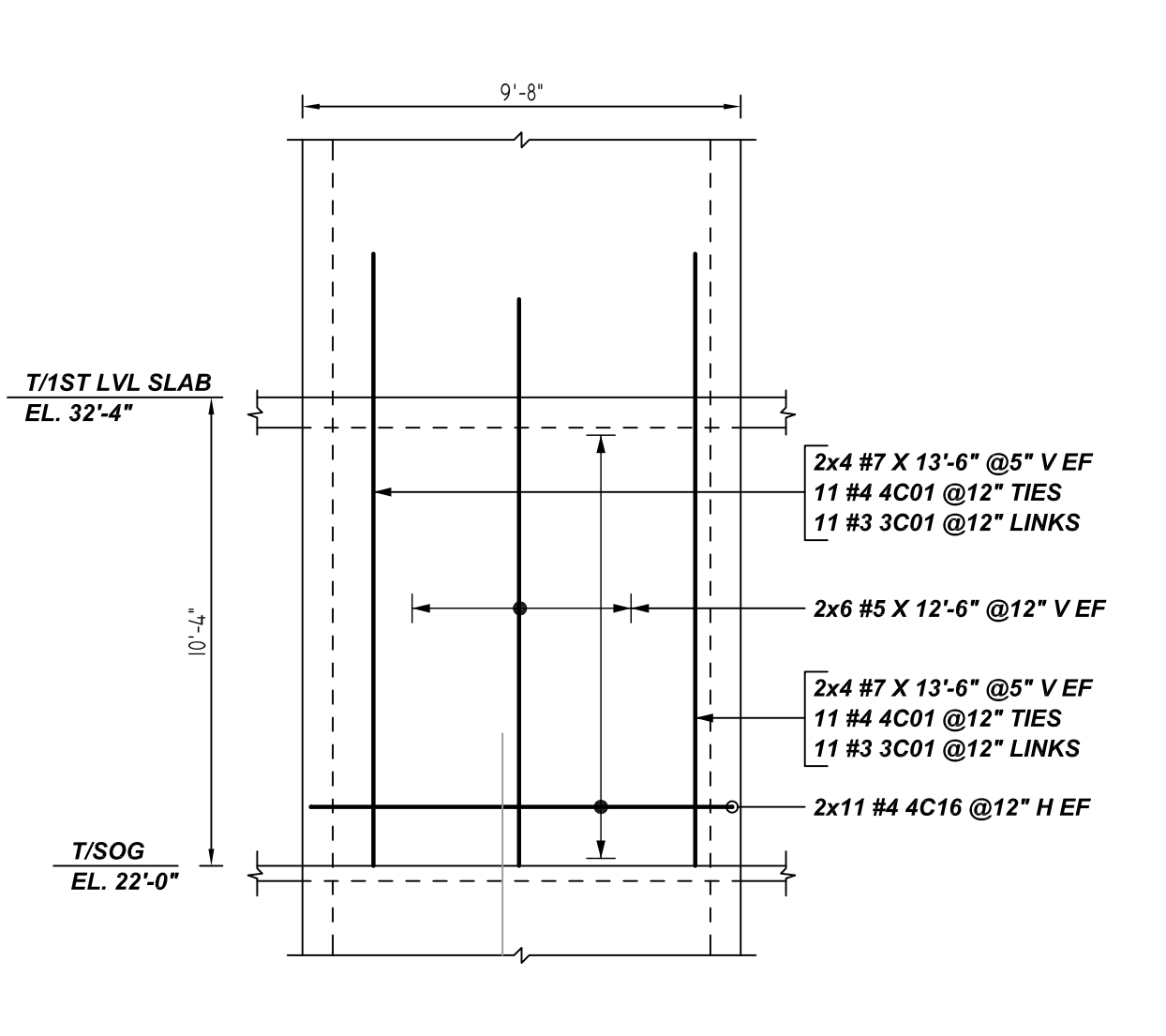
C ELEVATION
 REF: S-061.00 & S-062.00(07/20/22)
 SCALE: 1/4" = 1'-0"



J ELEVATION
 REF: S-061.00 & S-062.00(07/20/22)
 SCALE: 1/4" = 1'-0"



D ELEVATION
 REF: S-061.00 & S-062.00(07/20/22)
 SCALE: 1/4" = 1'-0"



F ELEVATION
 REF: S-061.00 & S-062.00(07/20/22)
 SCALE: 1/4" = 1'-0"

LAP SCHEDULE

5000 PSI (CLASS-B) CASE - 1
 Per ACI 318 (12.2.2)

BAR#	LENGTHS	
	TOP	OTHERS
#3	1'-4"	1'-4"
#4	1'-10"	1'-5"
#5	2'-3"	1'-9"
#6	3'-0"	2'-3"
#7	4'-0"	2'-11"
#8	5'-4"	4'-1"
#9	6'-9"	5'-2"
#10	8'-6"	6'-7"
#11	10'-6"	8'-3"

ALL TOP BARS ARE DEFINED AS HORIZ BARS WITH MORE THAN 12" OF CONCRETE BELOW BARS.

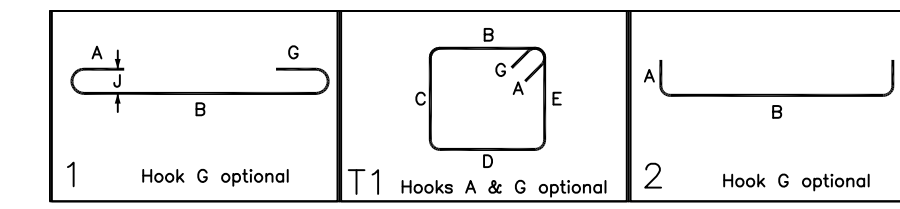
TYPICAL REINFORCING BAR CLEARANCE TABLE

LOCATION	MIN. COVER
WALL TOP & BOTTOM	2" CLR
WALL SIDE	2" CLR

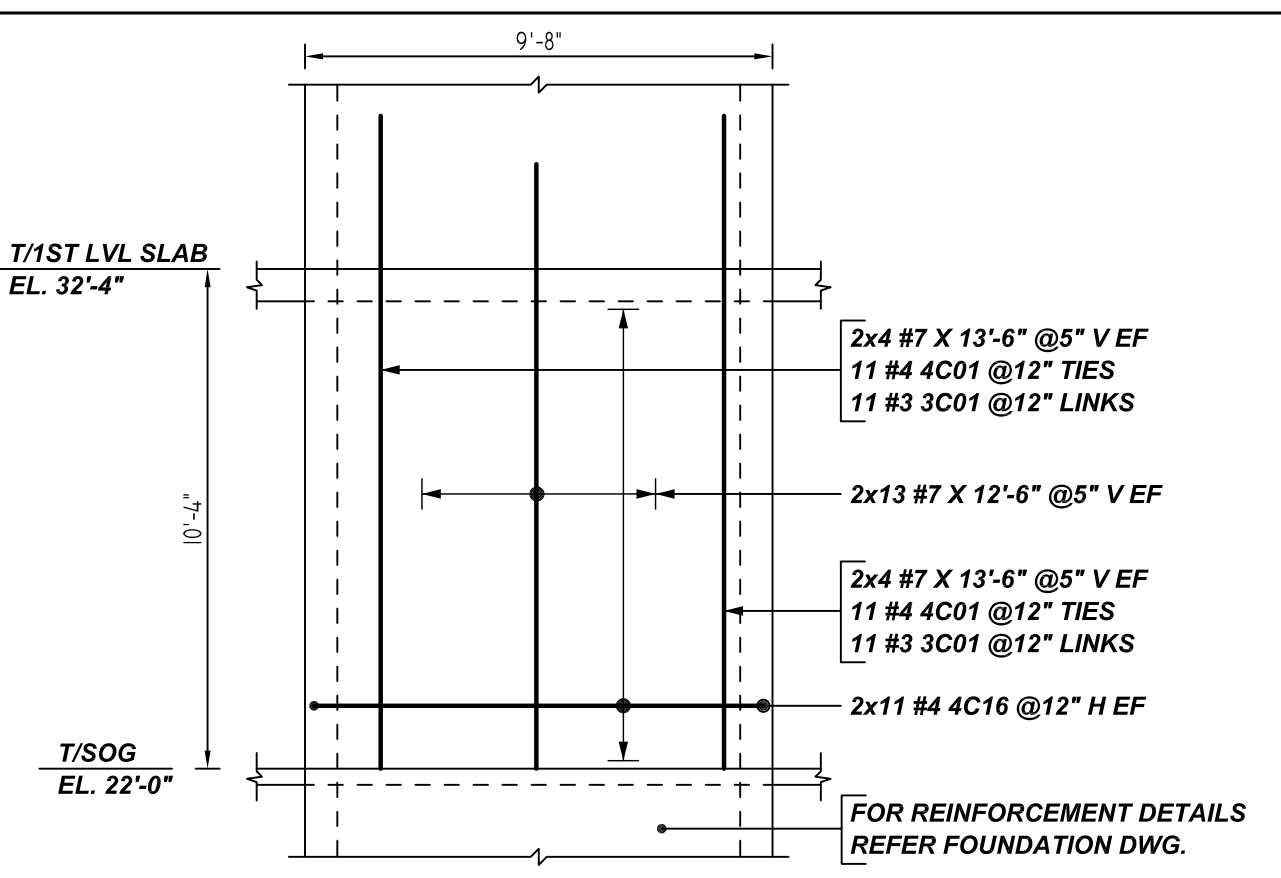
ALL BARS IN THIS DRAWING
 ASTM A615 GRADE 60
 BLACK UNCOATED

FOR APPROVAL

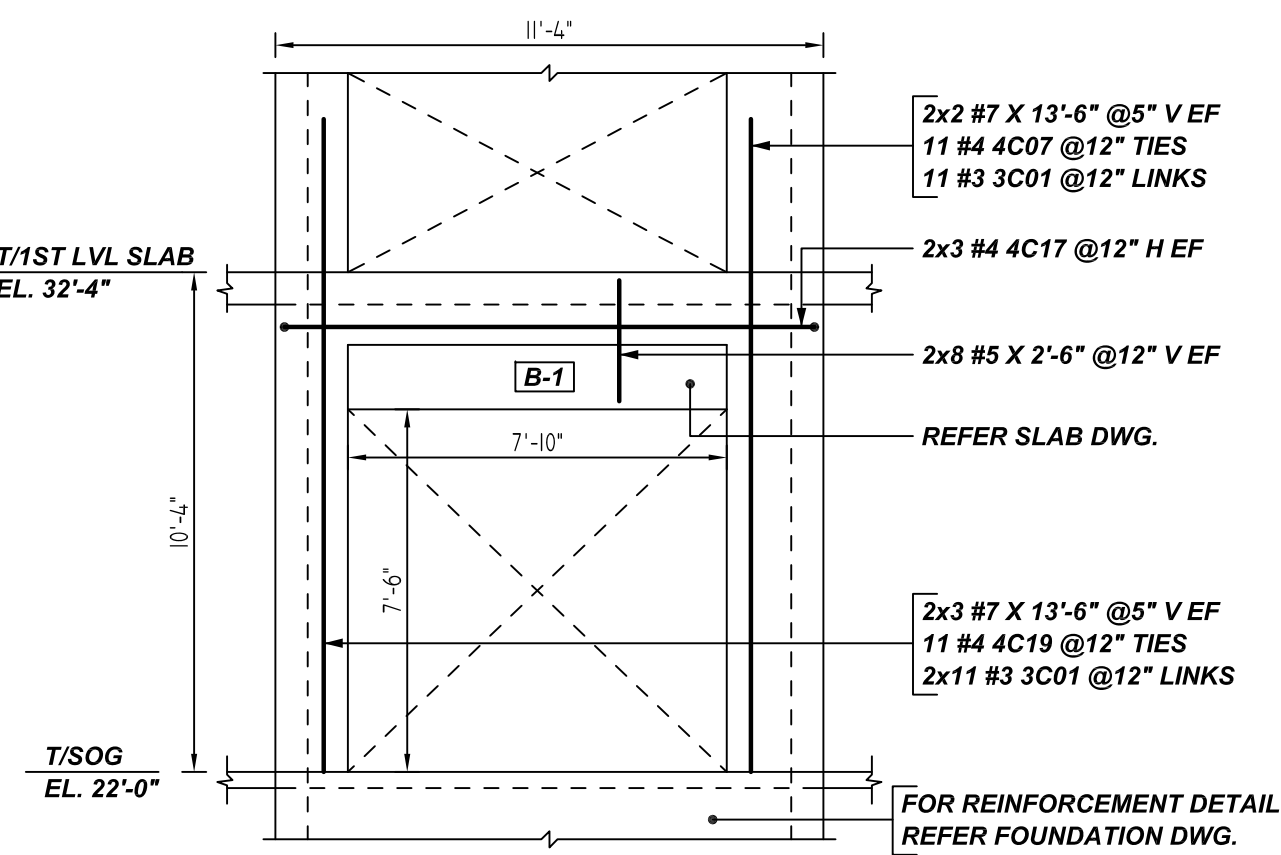
Bar No.	Qty	Size	Total Length	Type	X	Y	Z	W	V	U	T	S	R	Q	P	O	N	M	L	K	J	I	H	G	F	E	D	C	B	A
3001	118	#3	1'-3"	1	0'-5"	0'-5"																								
3002	154	#3	1'-7"	1	0'-5"	0'-9"																								
4001	5	#4	3'-11 1/2"	11	0'-4 1/2"	0'-5"	1'-2 1/2"	0'-5"	1'-2 1/2"	0'-4 1/2"																				
4002	26	#4	4'-1 1/2"	11	0'-4 1/2"	0'-5"	1'-3 1/2"	0'-5"	1'-3 1/2"	0'-4 1/2"																				
4003	11	#4	4'-1 1/2"	11	0'-4 1/2"	0'-5"	1'-6 1/2"	0'-5"	1'-6 1/2"	0'-4 1/2"																				
4004	13	#4	2'-11"	11	0'-4 1/2"	0'-5"	0'-5"	0'-5"	0'-5"	0'-4 1/2"																				
4005	11	#4	10'-1 1/2"	11	0'-4 1/2"	0'-9"	4'-2 1/2"	0'-9"	4'-2 1/2"	0'-4 1/2"																				
4006	11	#4	11'-1 1/2"	11	0'-4 1/2"	0'-9"	4'-5 1/2"	0'-9"	4'-5 1/2"	0'-4 1/2"																				
4008	22	#4	5'-7 1/2"	11	0'-4 1/2"	0'-9"	1'-8 1/2"	0'-9"	1'-8 1/2"	0'-4 1/2"																				
4010	13	#4	2'-9"	11	0'-4 1/2"	0'-5"	0'-7"	0'-5"	0'-7"	0'-4 1/2"																				
4011	30	#4	9'-1"	2	0'-4"	8'-1"				0'-8"																				
4012	22	#4	27'-0"	2	0'-8"	25'-8"				0'-8"																				
4013	22	#4	9'-1"	2	0'-9"	8'-1"				0'-4"																				
4014	18	#4	16'-2"	2	0'-4"	15'-8"				0'-4"																				
4015	22	#4	29'-1 1/2"	2	0'-8"	27'-9 1/2"				0'-8"																				
4016	22	#4	10'-0"	2	0'-4"	9'-4"				0'-4"																				
4020	8	#4	24'-11"	2	0'-8"	23'-7"				0'-8"																				
4021	18	#4	3'-4 1/2"	11	0'-4 1/2"	0'-5"	0'-10 1/2"	0'-5"	0'-10 1/2"	0'-4 1/2"																				
4022	10	#4	4'-5"	2	0'-8"	3'-1"				0'-8"																				
5001	18	#5	3'-11 1/2"	11	0'-5 1/2"	0'-5"	1'-1 1/2"	0'-5"	1'-1 1/2"	0'-5 1/2"																				



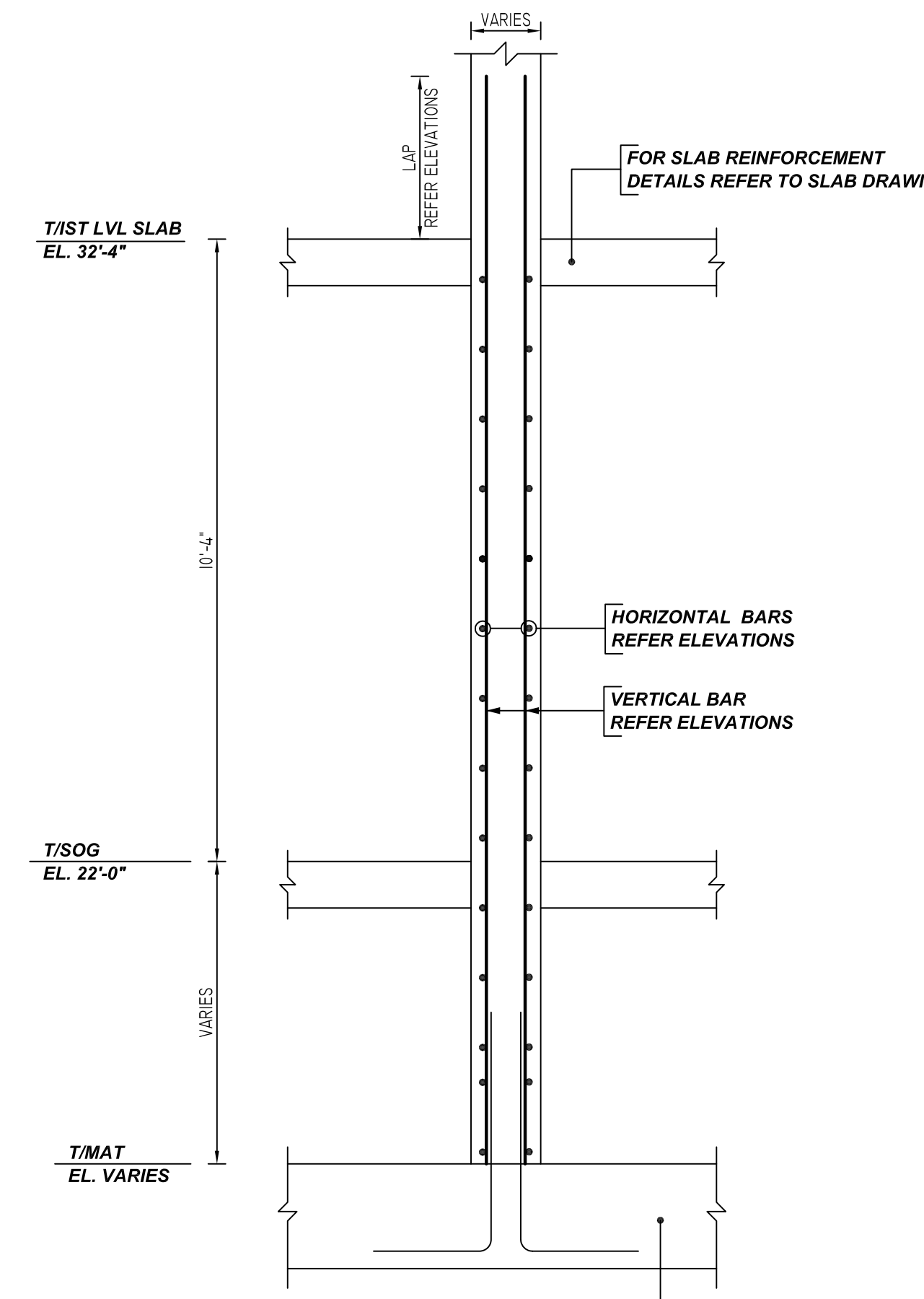
GRADE	A615/60(UNO)				
PREFIX	C				
BAR LIST NOS.					
REV	DESCRIPTION	ISSUED DATE	ISSUED FOR	STRUCTURE	SHEAR WALL REINFORCEMENT DETAILS
0	IFA	09/28/2022	APPROVAL	FLOOR	CELLAR TO 1ST FLOOR (STATION 15'-0" TO 32'-4")
				JOB NO	NC220077
				CUSTOMER	
				JOB	630 GRAND ST
				LOCATION	BROOKLYN, N.Y
DRAWN	DATE	CONTROL CODE	DWG. NO.		
MRS	09/28/2022	-	R05		



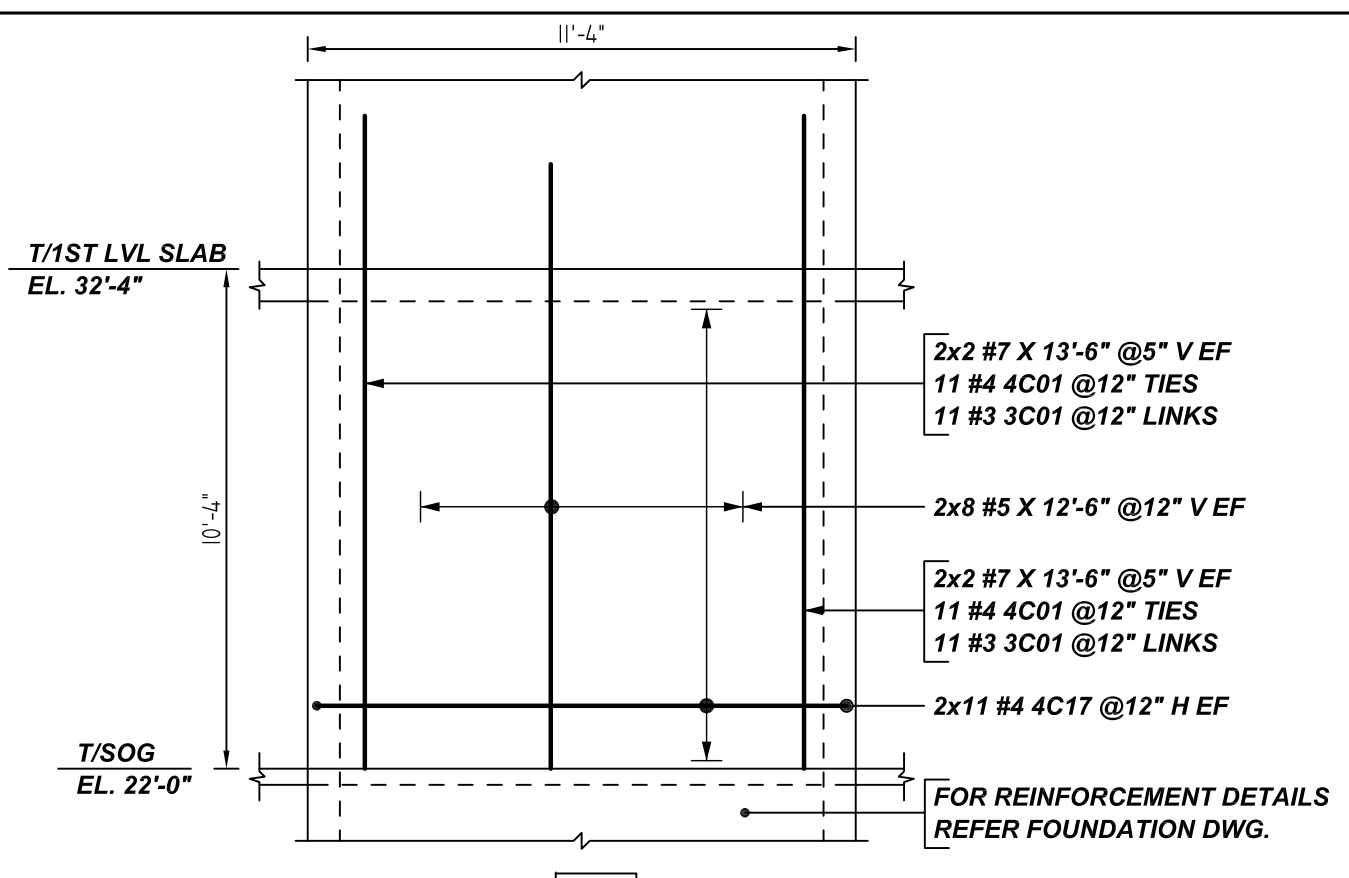
H ELEVATION
 8" SHEAR WALL
 REF: S-061.00 & S-062.00(07/20/22)
 SCALE: 1/4" = 1'-0"



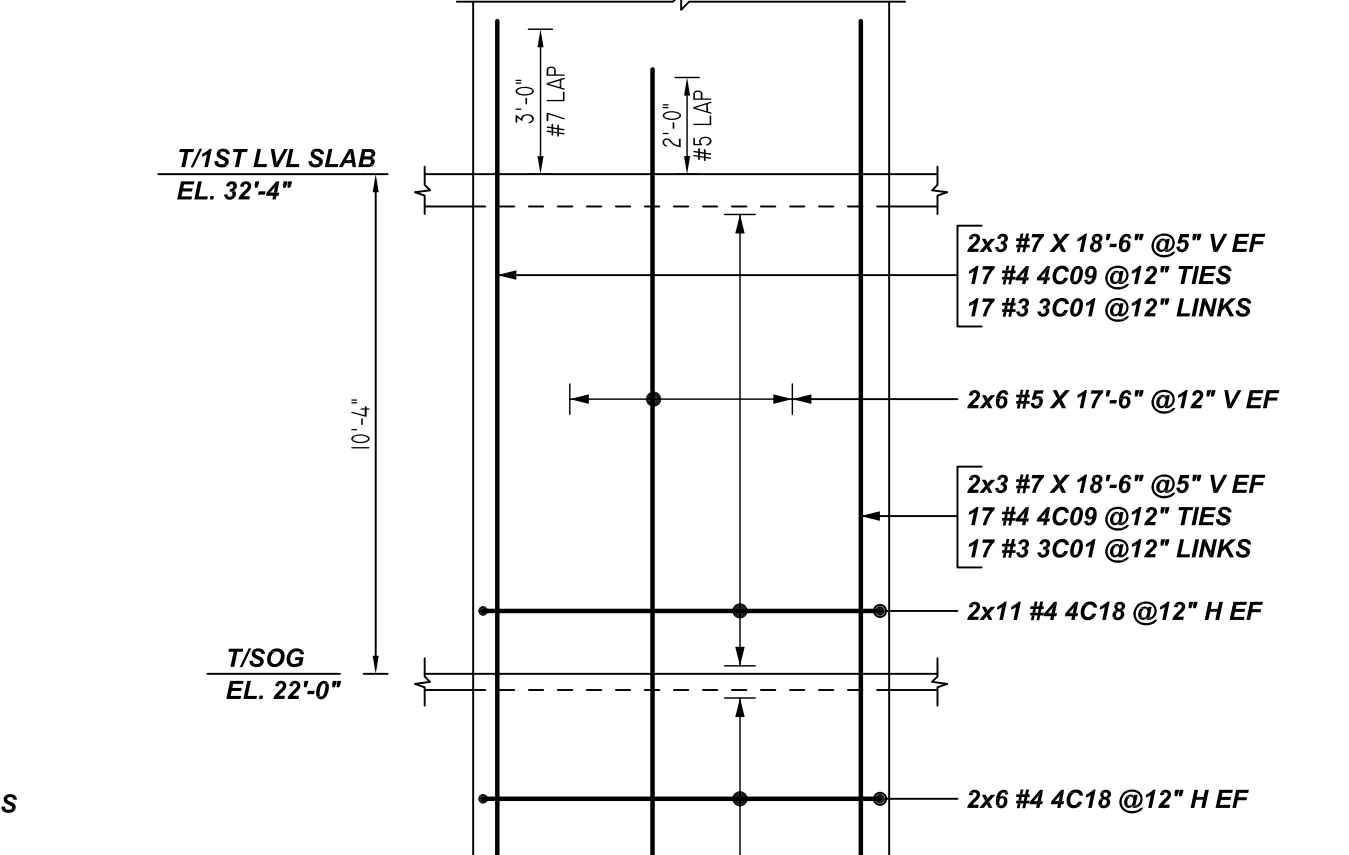
K ELEVATION
 8" SHEAR WALL
 REF: S-061.00 & S-062.00(07/20/22)
 SCALE: 1/4" = 1'-0"



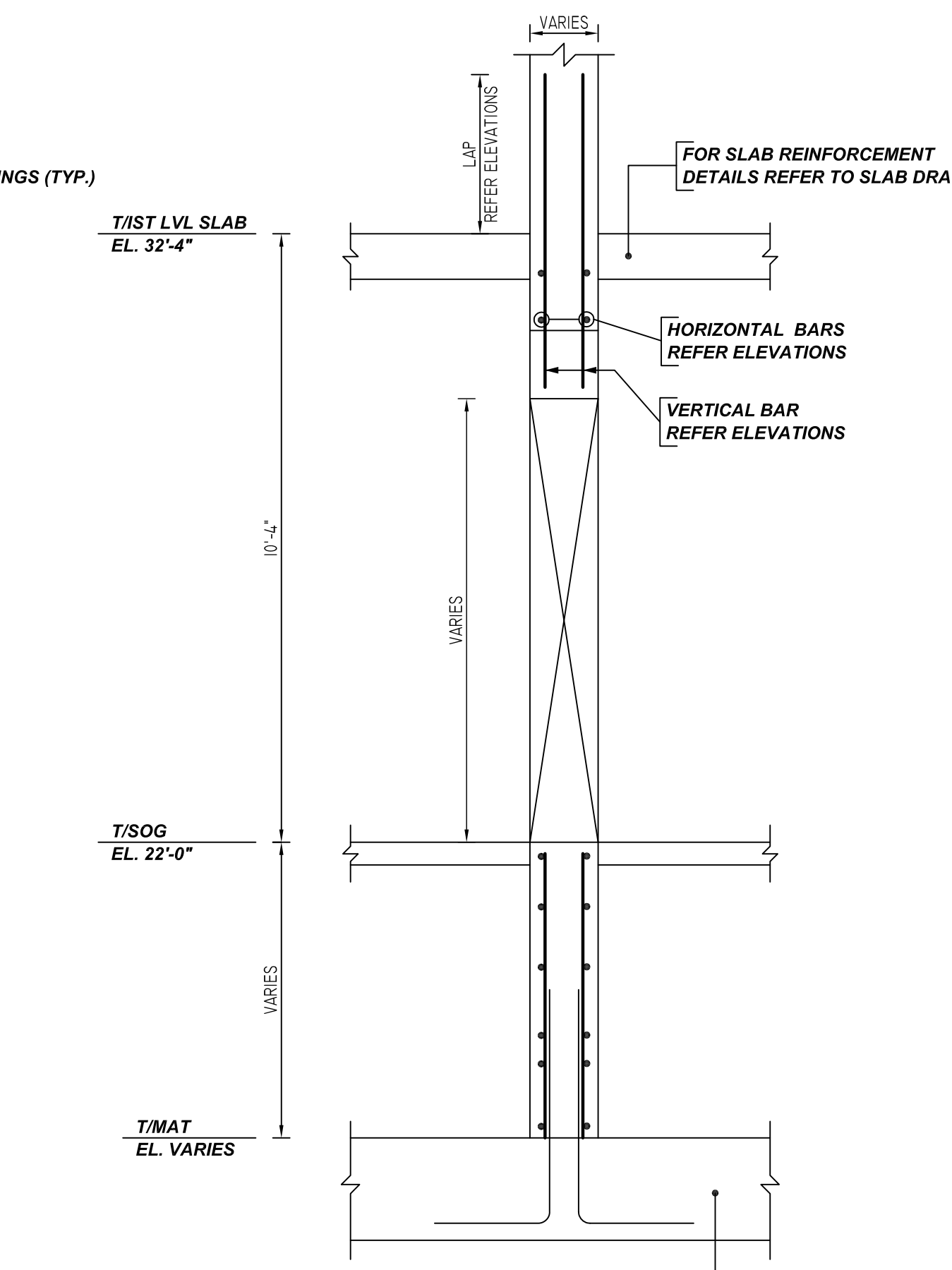
1 SECTION
 REF: F0-004.00, S-062.00 & S-061.00 (DT.07/20/22)
 SCALE: 1/2" = 1'-0"



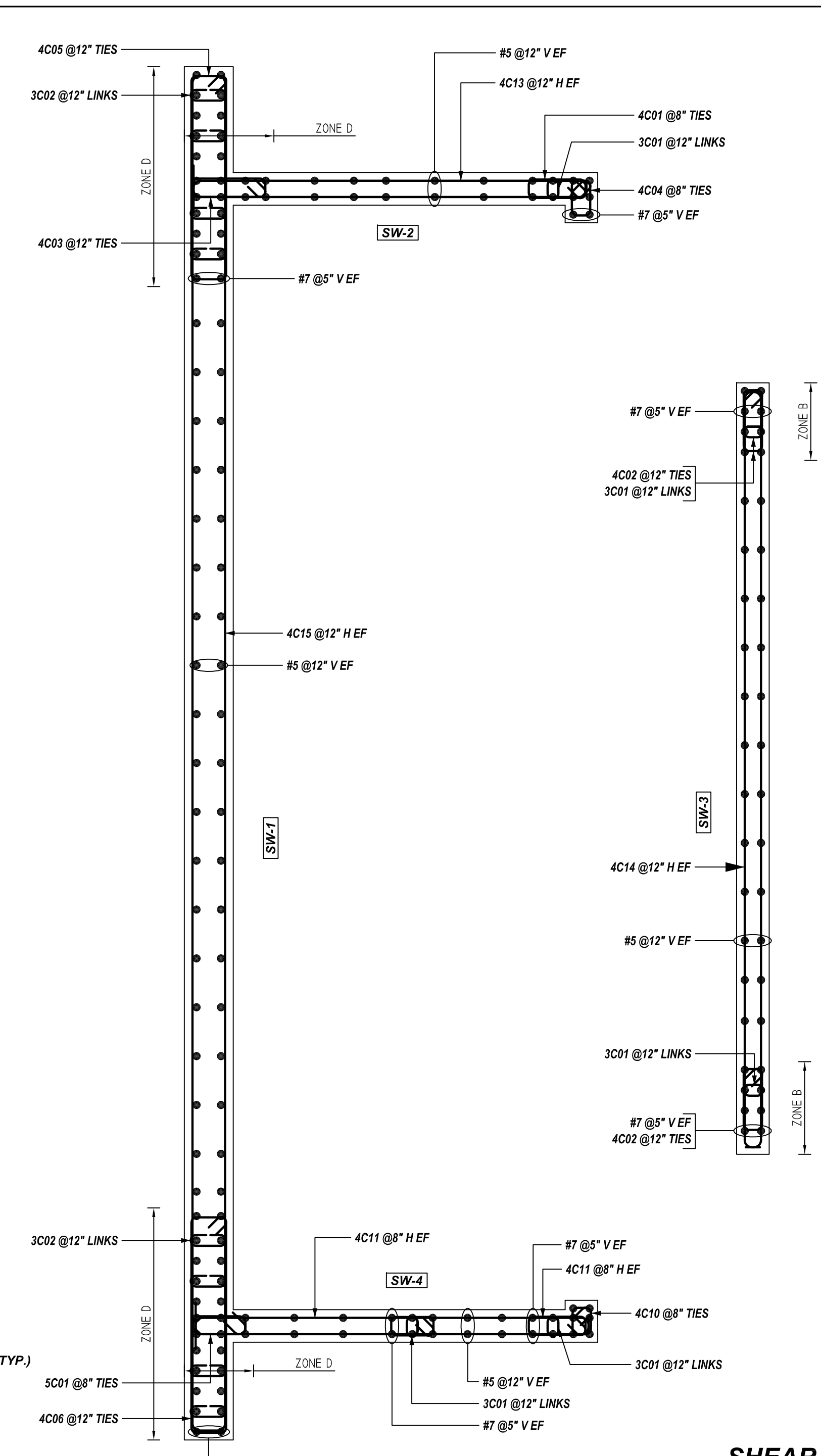
G ELEVATION
 8" SHEAR WALL
 REF: S-061.00 & S-062.00(07/20/22)
 SCALE: 1/4" = 1'-0"



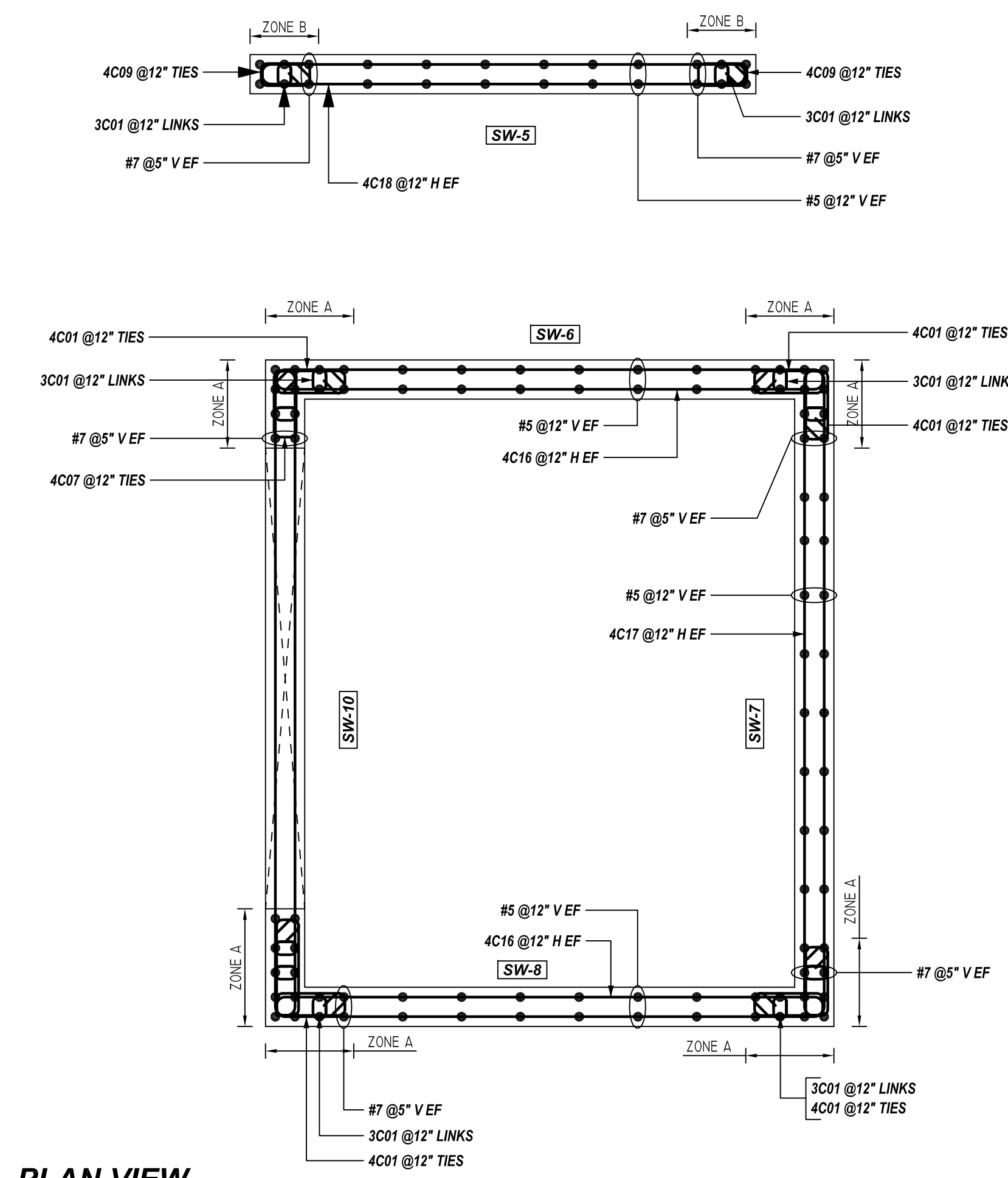
E ELEVATION
 8" SHEAR WALL
 REF: S-061.00 & S-062.00(07/20/22)
 SCALE: 1/4" = 1'-0"



2 SECTION
 REF: F0-004.00, S-062.00 & S-061.00 (DT.07/20/22)
 SCALE: 1/2" = 1'-0"

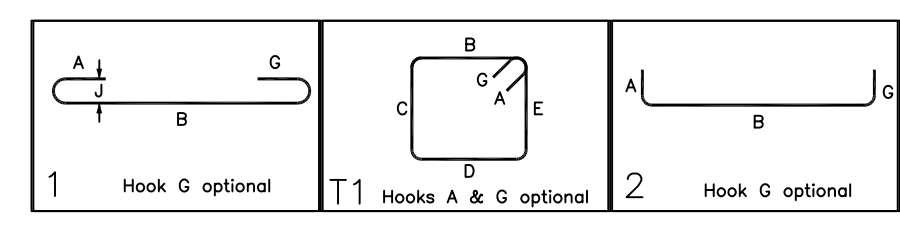


SHEAR WALL PLAN VIEW
 REF: F0-004.00, S-061.00 & S-062.00 (DT.07/20/22)
 SCALE: 1/4" = 1'-0"



Release Number: R06

Bar Mark	Qty	Size	Total Length	Type	X	Y	Z	W	V	U	T	S	R	Q	P
3C01	111	#3	1'-3"	1	0'-5"	0'-5"									
4C01	44	#4	3'-11 1/2"	11	0'-4 1/2"	0'-5"	1'-2 1/2"	0'-5"	1'-2 1/2"						
4C07	11	#4	3'-11 1/2"	11	0'-4 1/2"	0'-5"	1'-2 1/2"	0'-5"	1'-2 1/2"						
4C09	34	#4	3'-3 1/2"	11	0'-4 1/2"	0'-5"	0'-10 1/2"	0'-5"	0'-10 1/2"						
4C16	22	#4	10'-0"	2	0'-4"	9'-4"									
4C17	28	#4	11'-8"	2	0'-4"	11'-0"									
4C18	34	#4	8'-11"	2	0'-4"	8'-3"									
4C19	11	#4	4'-11"	11	0'-4 1/2"	0'-5"	1'-8"	0'-5"	1'-8"						



TYPICAL REINFORCING BAR CLEARANCE TABLE

LOCATION	MIN. COVER
WALL TOP & BOTTOM	2" CLR
WALL SIDE	2" CLR

**ALL BARS IN THIS DRAWING
 ASTM A615 GRADE 60
 BLACK UNCOATED**

FOR APPROVAL

LAP SCHEDULE

5000 PSI (CLASS-B) CASE - 1
 Per ACI:318 (12.2.2)

BAR#	LENGTHS	
	TOP	OTHERS
#3	1'-4"	1'-4"
#4	1'-10"	1'-5"
#5	2'-3"	1'-9"
#6	3'-0"	2'-3"
#7	4'-0"	2'-11"
#8	5'-4"	4'-1"
#9	6'-9"	5'-2"
#10	8'-6"	6'-7"
#11	10'-6"	8'-3"

ALL TOP BARS ARE DEFINED AS
 HORIZ BARS WITH MORE THAN
 12" OF CONCRETE BELOW BARS.

GRADE	A615/60(UNO)		
PREFIX	C		
BAR LIST NOS.			
REV	DESCRIPTION	ISSUED DATE	ISSUED FOR
0	IFA	09/28/2022	APPROVAL
STRUCTURE	SHEAR WALL REINFORCEMENT DETAILS		
FLOOR	CELLAR TO 1ST FLOOR (STATION 15'-0" TO 32'-4")		
JOB NO	NC220077		
CUSTOMER	-		
JOB	630 GRAND ST		
LOCATION	BROOKLYN, N.Y		
DRAWN	DATE	CONTROL CODE	DWG. NO.
MRS	09/28/2022	-	R06