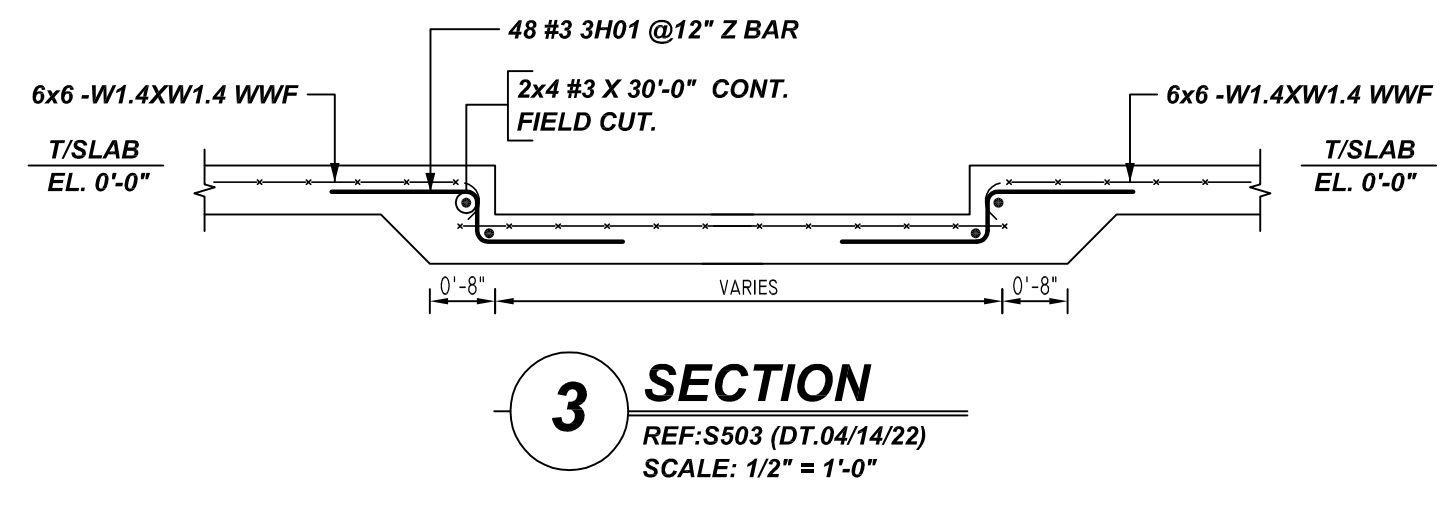
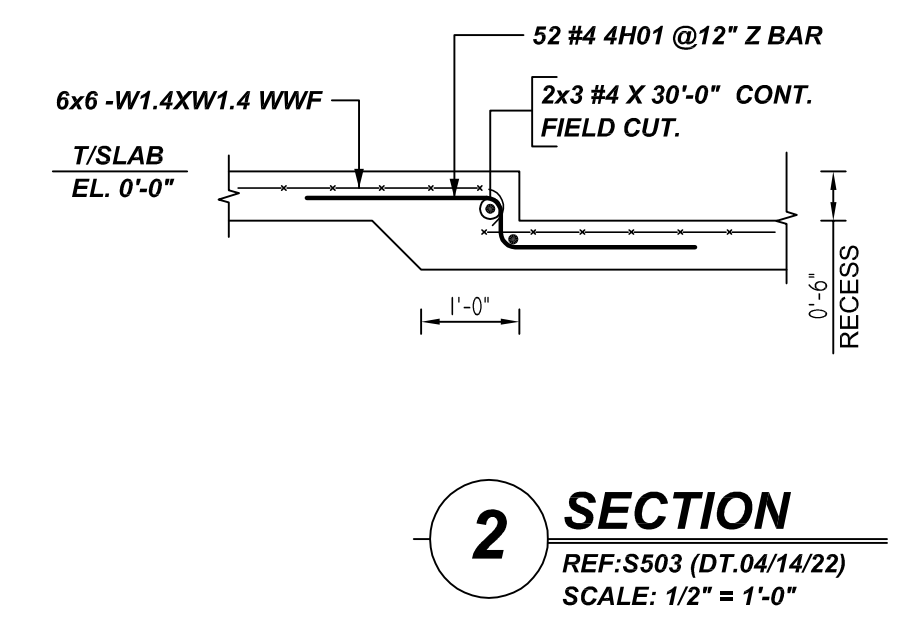
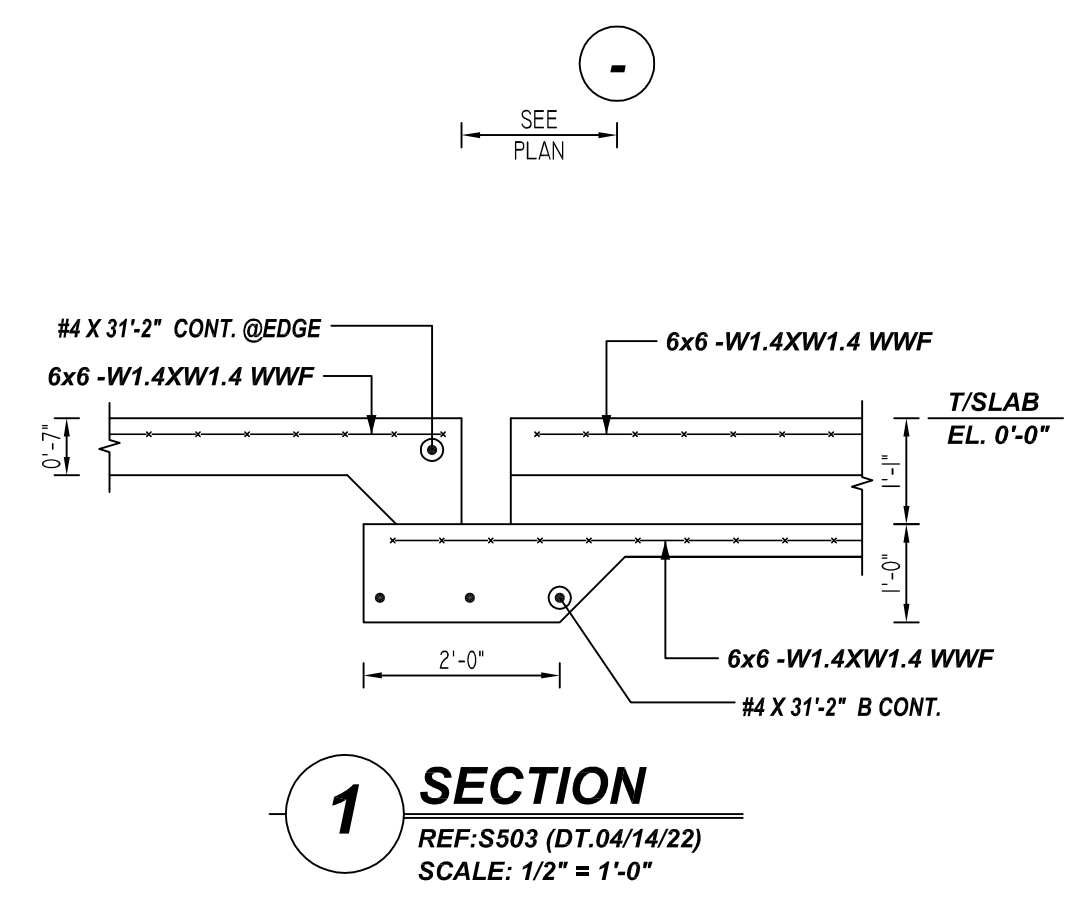
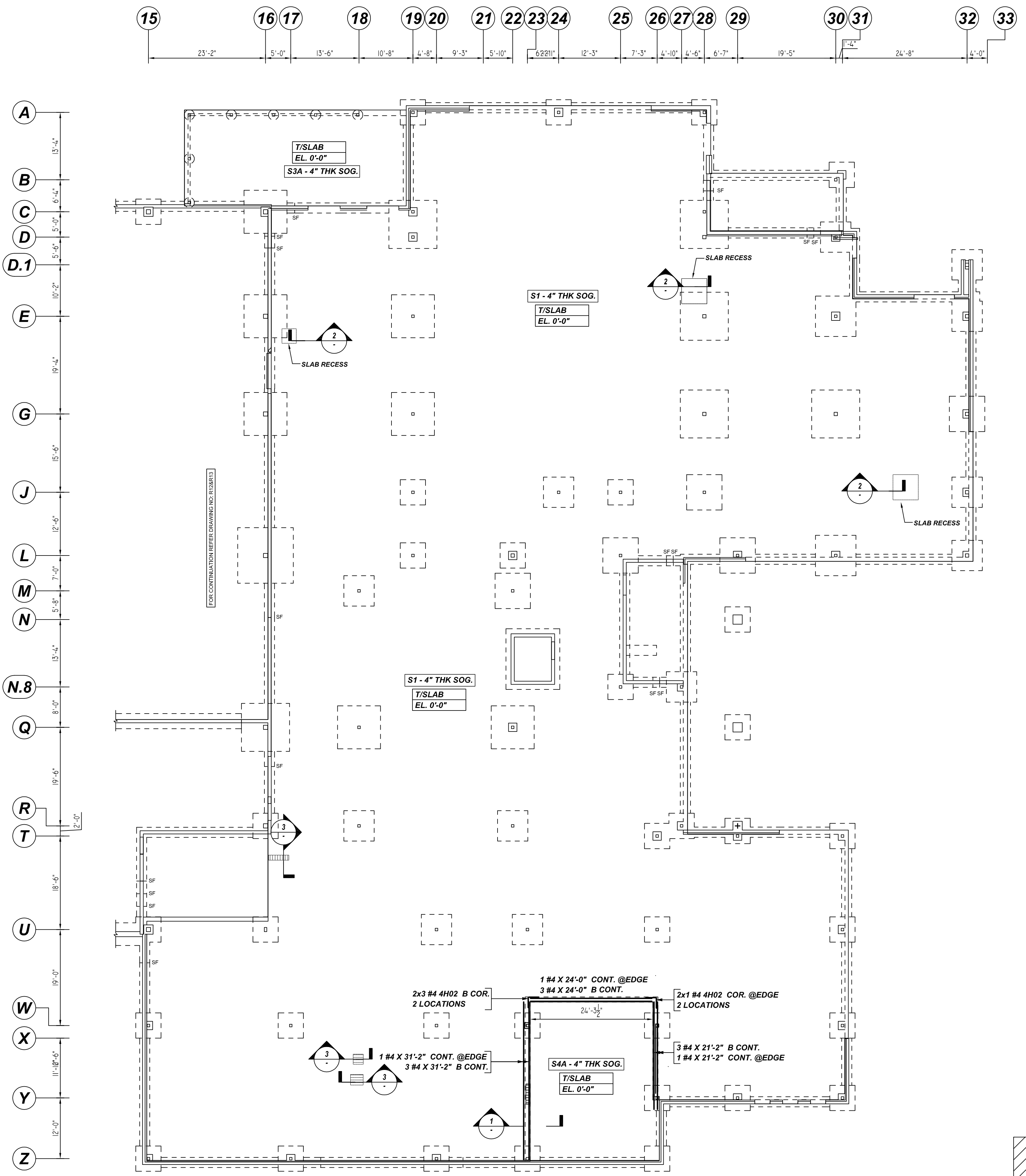


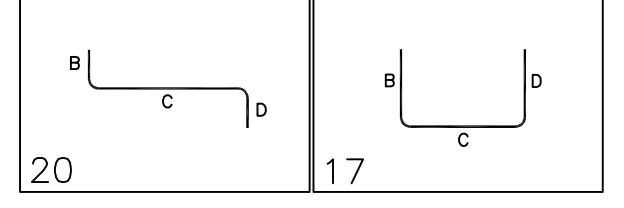
NOTICE
 SHORTAGES, IMPROPER FABRICATION OR CLAIMS FOR ANY OTHER REASON MUST BE REPORTED TO THIS COMPANY WITHIN 10 DAYS FROM ORIGINAL DELIVERY. THIS COMPANY ALSO RESERVES THE RIGHT TO INSPECT MATERIALS PRIOR TO REPLACEMENT OR RECONDITIONING OF MATERIALS AND WILL NOT BE LIABLE FOR CHARGES FROM WORK DONE IN THE FIELD WITHOUT PRIOR AUTHORIZATION FROM THIS COMPANY.

REINFORCING STEEL PLACING DRAWING ONLY. USE IN CONJUNCTION WITH CONTRACT DRAWINGS & SPECIFICATIONS. ELEVATIONS & DIMENSIONS SHOWN ON DRAWING ARE FOR DETAILING PURPOSES ONLY AND SHOULD NOT BE USED FOR CONSTRUCTION UNLESS VERIFIED BY ENGINEER OR CONTRACTOR.



MESH DETAILS					
S. NO	ELEMENT	MESH SIZE	SHEETS	AREA	REMARK
1	S1 4" THK SOG	6x6 - W1.4XW1.4 WWF	214	22100 SQ.FT	8'-0" X 15'-0" SHEET SIZE (15% LAP ADDED)
2	S4A 4" THK SOG	6x6 - W2.9XW2.9 WWF	16	1570 SQ.FT	8'-0" X 15'-0" SHEET SIZE (15% LAP ADDED)
3	S3A 6" THK SOG	6x6 - W2.9XW2.9 WWF	9	910 SQ.FT	8'-0" X 15'-0" SHEET SIZE (15% LAP ADDED)

BENDING DETAILS											
Bar Mark	Qty	Size	Total Length	Type	X	Y	Z	V	W	U	Y
3H01	48	#3	3'-6 X	20		1'-6"	0'-6 X	1'-6"			
4H01	52	#4	4'-6 X	20		2'-0"	0'-6 X	2'-0"			
4H02	8	#4	4'-2 1/2	17		2'-1"	2'-1"				

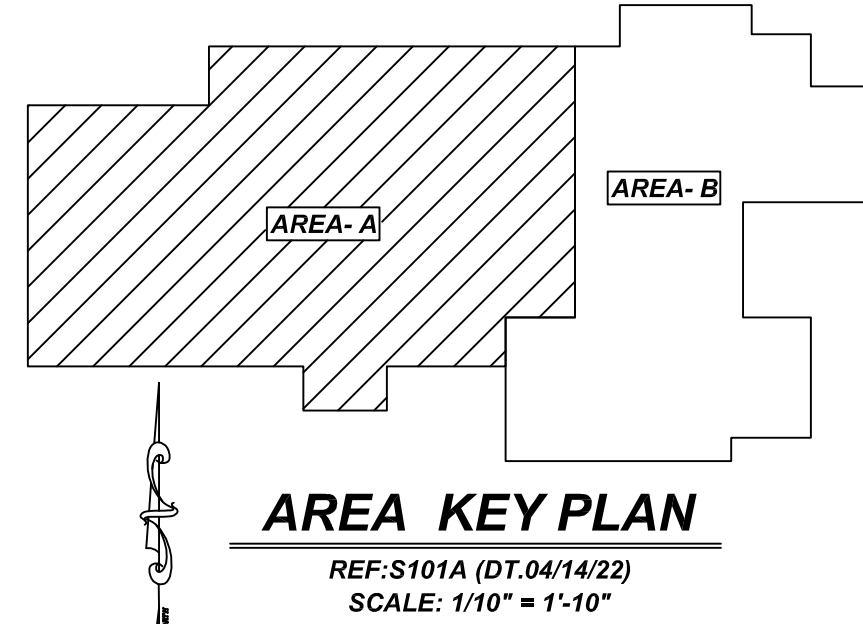


**ALL BARS IN THIS DRAWING
 ASTM A615 GRADE 60
 BLACK UNCOATED**

TYPICAL REINFORCING BAR CLEARANCE TABLE	
LOCATION	MIN. COVER
SLAB TOP	1" CLR
SLAB BOTTOM	2" CLR

AREA - B SLAB ON GRADE REINFORCEMENT DETAILS

REF:S101A (DT.04/14/22)
 SCALE: 1/12" = 1'-10"



AREA KEY PLAN

REF:S101A (DT.04/14/22)
 SCALE: 1/10" = 1'-10"

REBAR GRADE 60 ASTM A-615

SPLICES USED		ABBREVIATIONS		BAR MARK SIZE EQUIVALENT	
CLASS B 4,000 psi UNO					
TOP BARS	OTHER BARS			Imperial	Soft Metric
#3 24"	#3 19"	ADD. = Additional		#3	#10
#4 32"	#4 25"	B.O.W. = Bottom of wall		#4	#13
#5 40"	#5 31"	C.B. = Corner Bars		#5	#16
#6 48"	#6 37"	DIAG. = Diagonal		#6	#19
#7 70"	#7 54"	D.O. = Door Opening		#7	#22
#8 80"	#8 62"	DWLS. = Dowels		#8	#25
#9 91"	#9 70"	E.F. = Each Face		#9	#29
#10 102"	#10 79"	E.S. = Each Side		#10	#32
#11 113"	#11 87"	E.W. = Each Way		#11	#36
#14		FTG. = Footing			
		F.F. = Far Face			
		HORIZ. = Horizontal			
		I.F. = Inside Face			
		INTERS. = Intersection			
		L.W. = Long Way			
		N.F. = Near Face			
		O.F. = Outside Face			
		S.W. = Short Way			
		T&B = Top & Bottom			
		T.O.W. = Top of Wall			
		Trans. = Transverse			
		VERT. = Vertical			

FOOD BANK OF DELAWARE
 AREA - B SLAB ON GRADE REINFORCEMENT DETAILS
 MILFORD, DE 19963

CUSTOMER: -
 DESIGNER: -

REV NO	DATE	APPROVAL	SENT FOR	REV NO	DATE	SENT FOR	DRAWN BY	DATE	JOB NO	SHEET NO.
0	05.23.22						SS	05.23.22	-	R15