

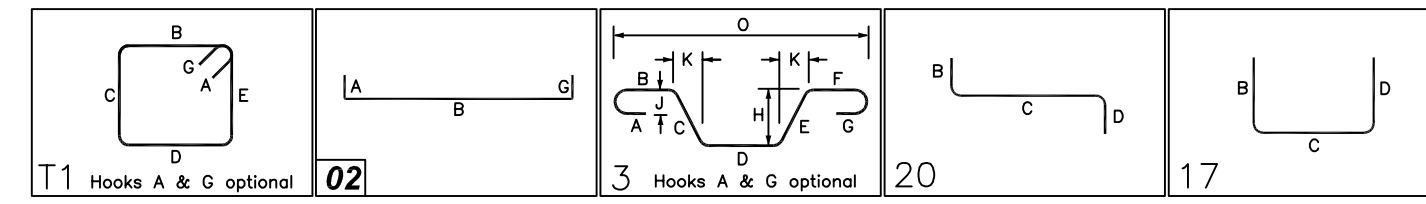
(WALL FOOTING REINFORCEMENT DETAILS)
BUILDING -1 FOUNDATION REINFORCEMENT DETAILS

REF: S1.01 & S3.01
 SCALE: 1/8" = 1'-0"

FOOTING SCHEDULE					
MARK	QTY	SIZE	GRID LOCATION	REINFORCING	REMARK
A	16	2'-0"X2'-0"X1'-0"		16x2x4 #5 X 1'-6" B EW	REFER SECTION -1

PIER SCHEDULE						
MARK	QTY	SIZE	GRID LOCATION	VERTS	TIES & ADD'L TIES	REMARK
P1	16	1'-4"X1'-4"		16x4 #5 5A01 D/V	16x3 #3 3A01 TOP TIES 16x3 #3 3A01 @12" TIES	REFER SECTION -1

BENDING DETAILS												
Bar Mark	Qty	Size	Total Length	Type	X	Y	Z	W	V	U	T	Y
3A01	36	#3	4'-0"	T1	0'-4"	0'-10"	0'-10"	0'-10"	0'-4"			
4A01	310	#4	4'-3"	2	0'-5"	3'-7"						
4A02	30	#4	3'-8"	2	0'-8"	2'-10"						
4A03	30	#4	2'-11"	3	1'-0"	1'-11"		1'-11"	0'-2"	1'-2"		
5A01	64	#5	4'-4"	2	0'-10"	3'-6"						
5A02	64	#5	3'-10"	2	0'-10"	3'-0"						
5A03	4	#5	6'-4"	20	3'-0"	0'-5"	0'-5"					
5A04	6	#5	6'-4"	20	3'-0"	2'-4"	3'-0"					
5A05	6	#5	7'-10"	20	3'-0"	1'-10"	3'-0"					
5A06	4	#5	10'-2"	20	3'-0"	4'-2"	3'-0"					
5A07	28	#5	8'-0"	20	3'-0"	2'-0"	3'-0"					
5A08	4	#5	10'-8"	20	3'-0"	4'-8"	3'-0"					
5A09	4	#5	7'-4"	20	3'-0"	1'-4"	3'-0"					
5A10	36	#5	6'-0"	17	3'-0"	3'-0"	3'-0"					
5A11	2	#5	6'-2"	20	3'-0"	0'-5"	2'-9"					



TYPICAL REINFORCING BAR CLEARANCE TABLE		
LOCATION		MIN. COVER
FOOTING BOTTOM		3" CLR
SLAB EDGE		2" CLR
WALL		2" CLR

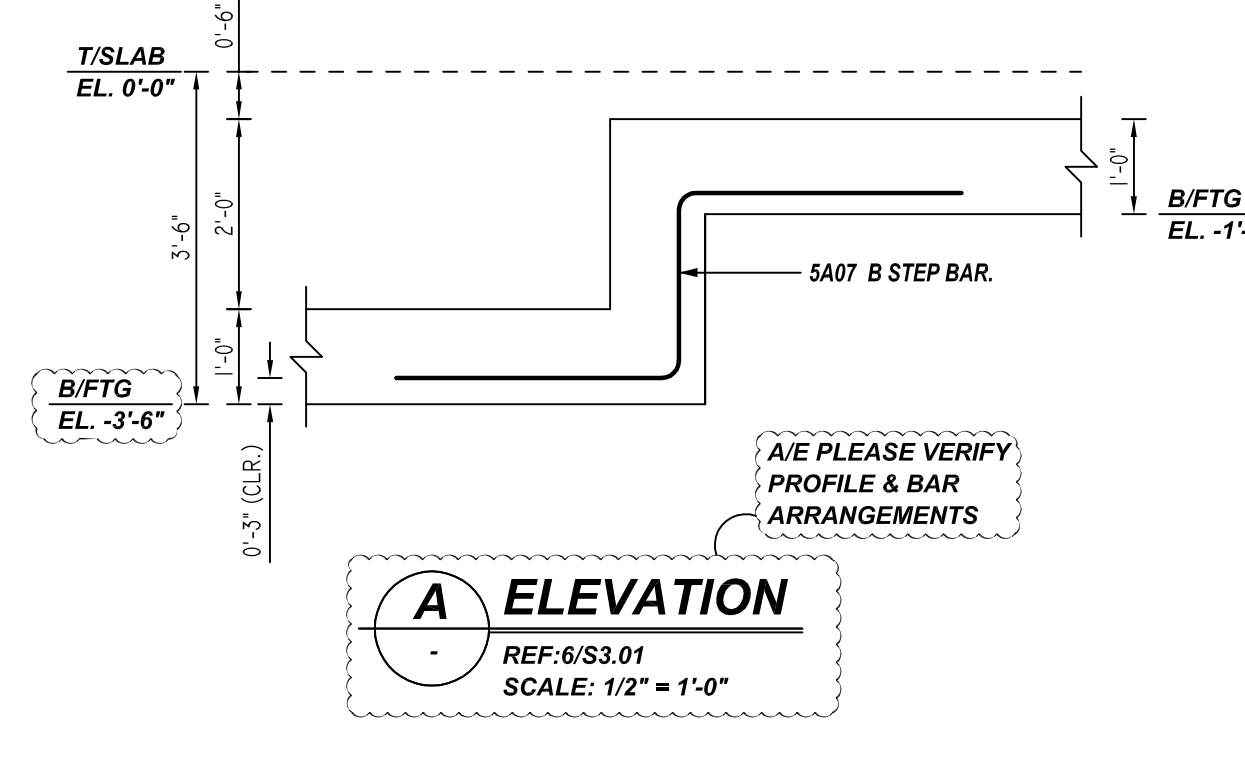
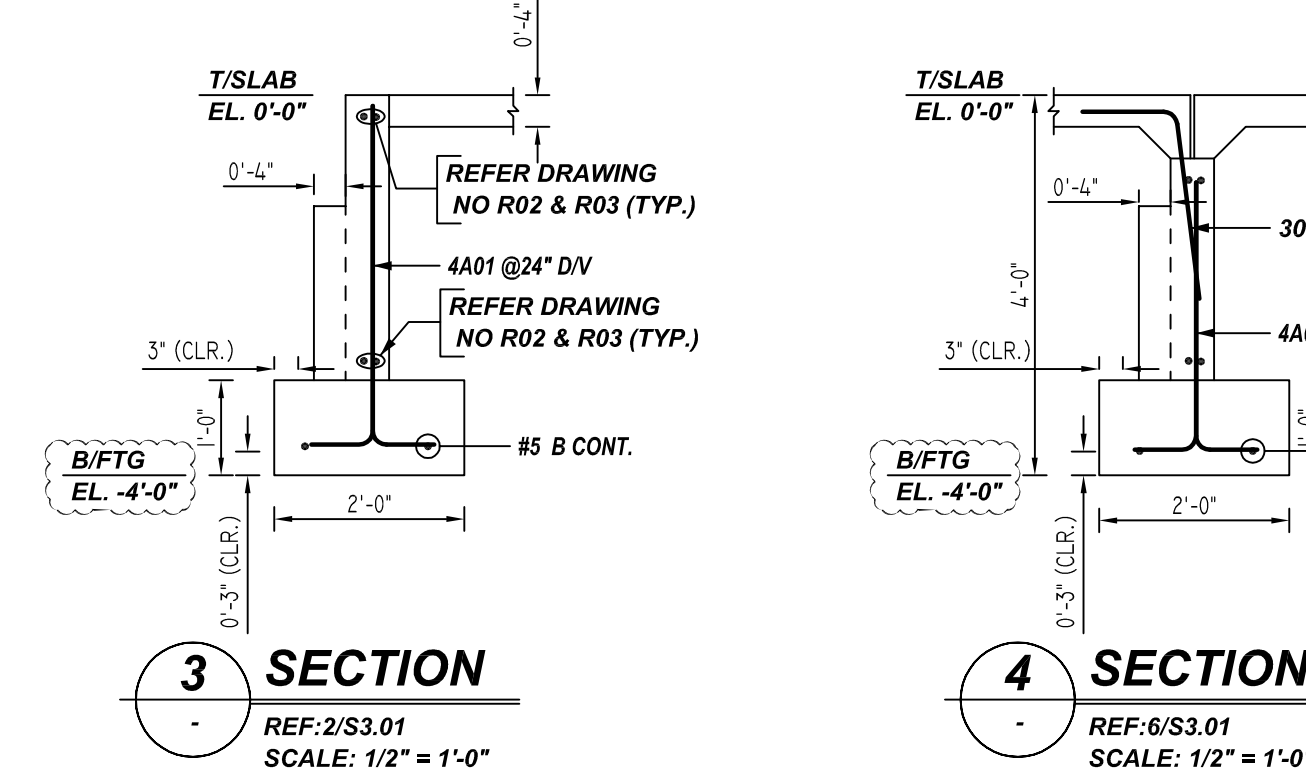
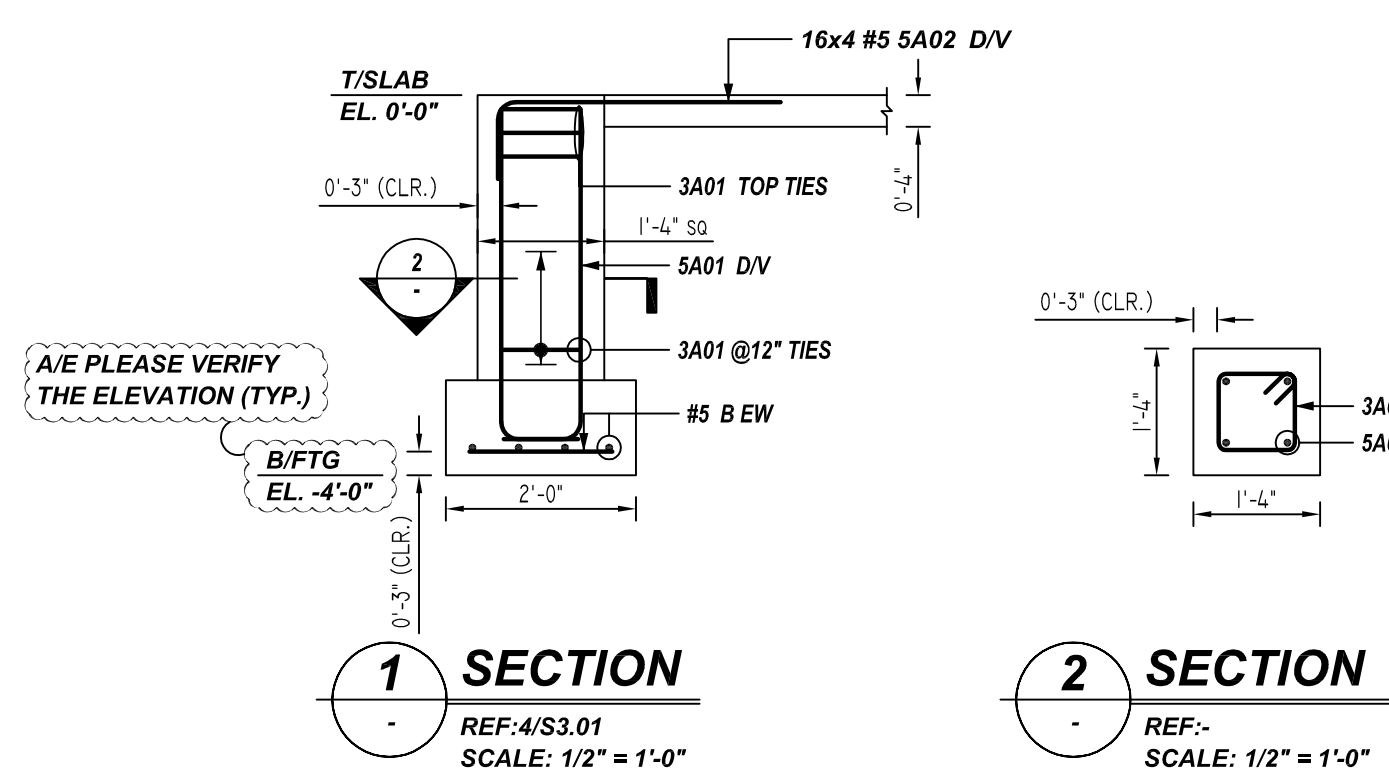
LAP SCHEDULE

3000 PSI (CLASS-B) CASE -1
 Per ACI 318 (12.2.2)

BAR#	LENGTHS	
	TOP	OTHERS
#3	2'-4"	1'-10"
#4	3'-1"	2'-5"
#5	3'-11"	3'-0"
#6	4'-8"	3'-7"
#7	6'-9"	5'-3"
#8	7'-9"	6'-0"
#9	8'-9"	6'-9"
#10	9'-10"	7'-7"
#11	10'-11"	8'-5"

ALL TOP BARS ARE DEFINED AS HORIZ BARS WITH MORE THAN 12" OF CONCRETE BELOW BARS.

FOR APPROVAL



REINFORCING STEEL PLACING DRAWING ONLY. USE IN CONJUNCTION WITH CONTRACT DRAWINGS & SPECIFICATIONS. ELEVATIONS & DIMENSIONS SHOWN ON THIS DRAWING ARE FOR DETAILING PURPOSES ONLY AND SHOULD NOT BE USED FOR CONSTRUCTION UNLESS VERIFIED BY ENGINEER OR CONTRACTOR. ALL REINFORCING ASTM A615 GRADE 60

DATE	FOR APPROVAL	SENT FOR
0 11/16/22		

Structure	SPRING VALLEY APARTMENTS	
Location	MOLINE, IL	
Architect	HOOKER DEJONG INC	
Engineer	A.V.SCHWAN & ASSOCIATES	
Customer	GOETZ CONCRETE	

Made by:	Date:	CONTRACT NO.
MET	11/16/22	22-02-125
DRAWING COVERS		DRAWING NO.
BUILDING-1 WALL FOOTING REINFORCEMENT DETAILS		R01

REV. NO.	DATE	DESCRIPTION