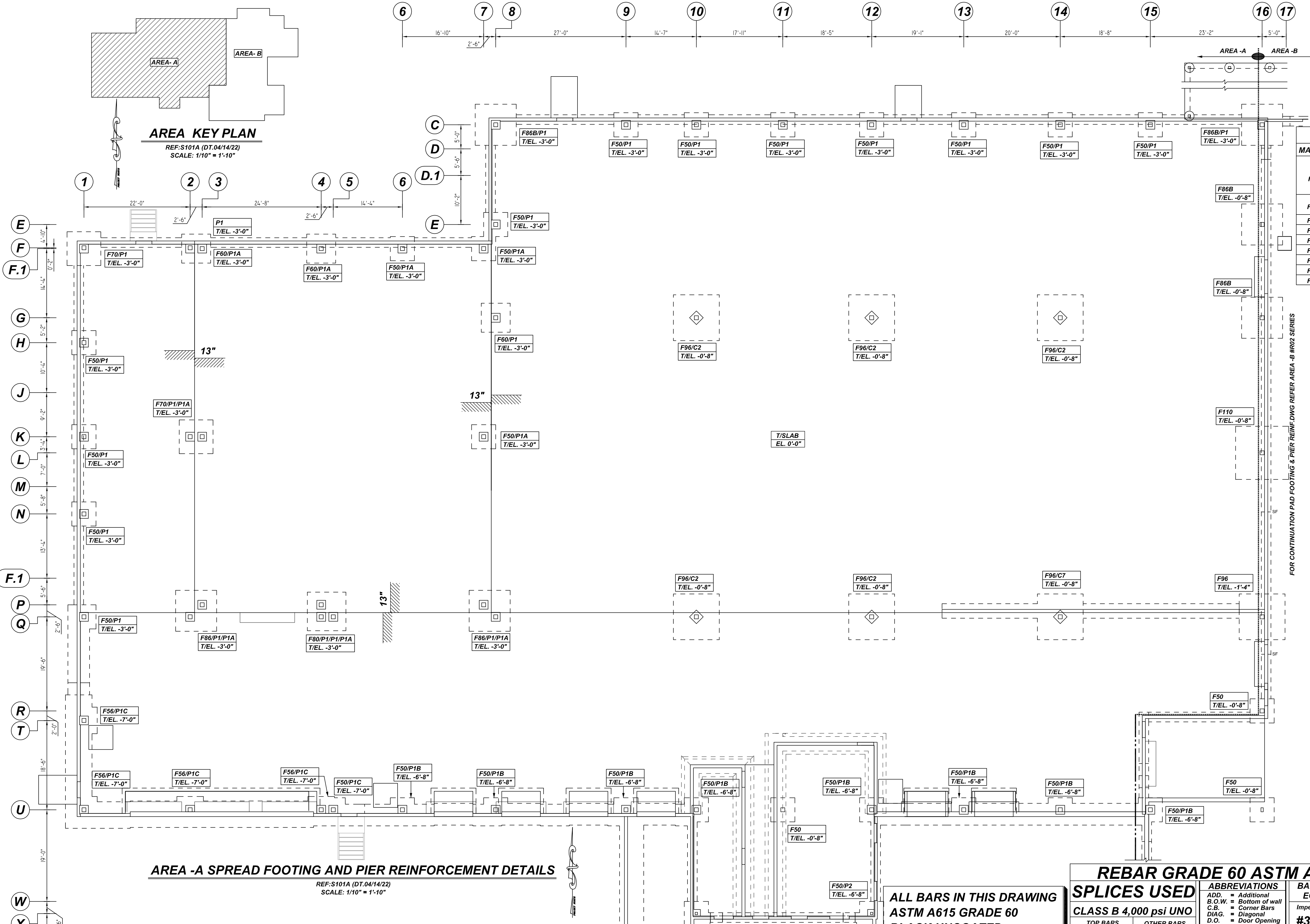


NOTICE
 SHORTAGES, IMPROPER FABRICATION OR CLAIMS FOR ANY OTHER REASON MUST BE REPORTED TO THIS COMPANY WITHIN 10 DAYS FROM ORIGINAL DELIVERY. THIS COMPANY ALSO RESERVES THE RIGHT TO FIELD INSPECT MATERIALS PRIOR TO REPLACEMENT OR RECONDITIONING OF MATERIALS AND WILL NOT BE LIABLE FOR CHARGES FROM WORK DONE IN THE FIELD WITHOUT PRIOR AUTHORIZATION FROM THIS COMPANY.
 REINFORCING STEEL PLACING DRAWING ONLY. USE IN CONJUNCTION WITH CONTRACT DRAWINGS & SPECIFICATIONS. ELEVATIONS & DIMENSIONS SHOWN ON DRAWING ARE FOR DETAILING PURPOSES ONLY AND SHOULD NOT BE USED FOR CONSTRUCTION UNLESS VERIFIED BY ENGINEER OR CONTRACTOR.

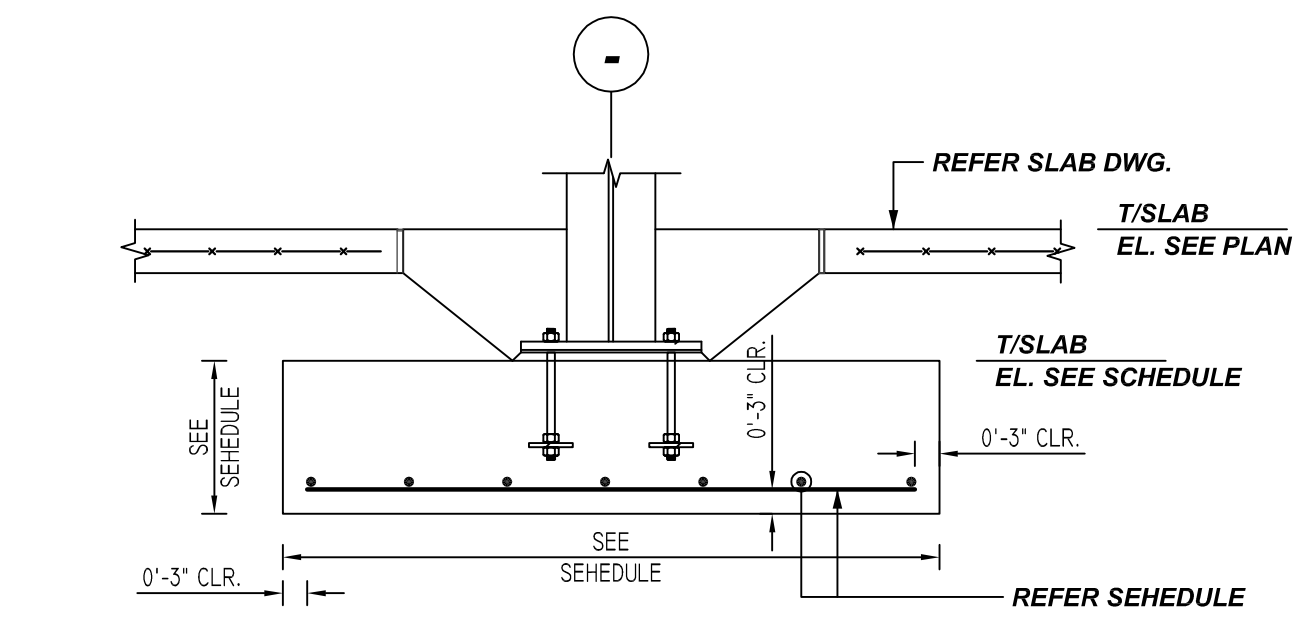
AREA KEY PLAN

REF: S101A (DT.04/14/22)
 SCALE: 1/10" = 1'-10"

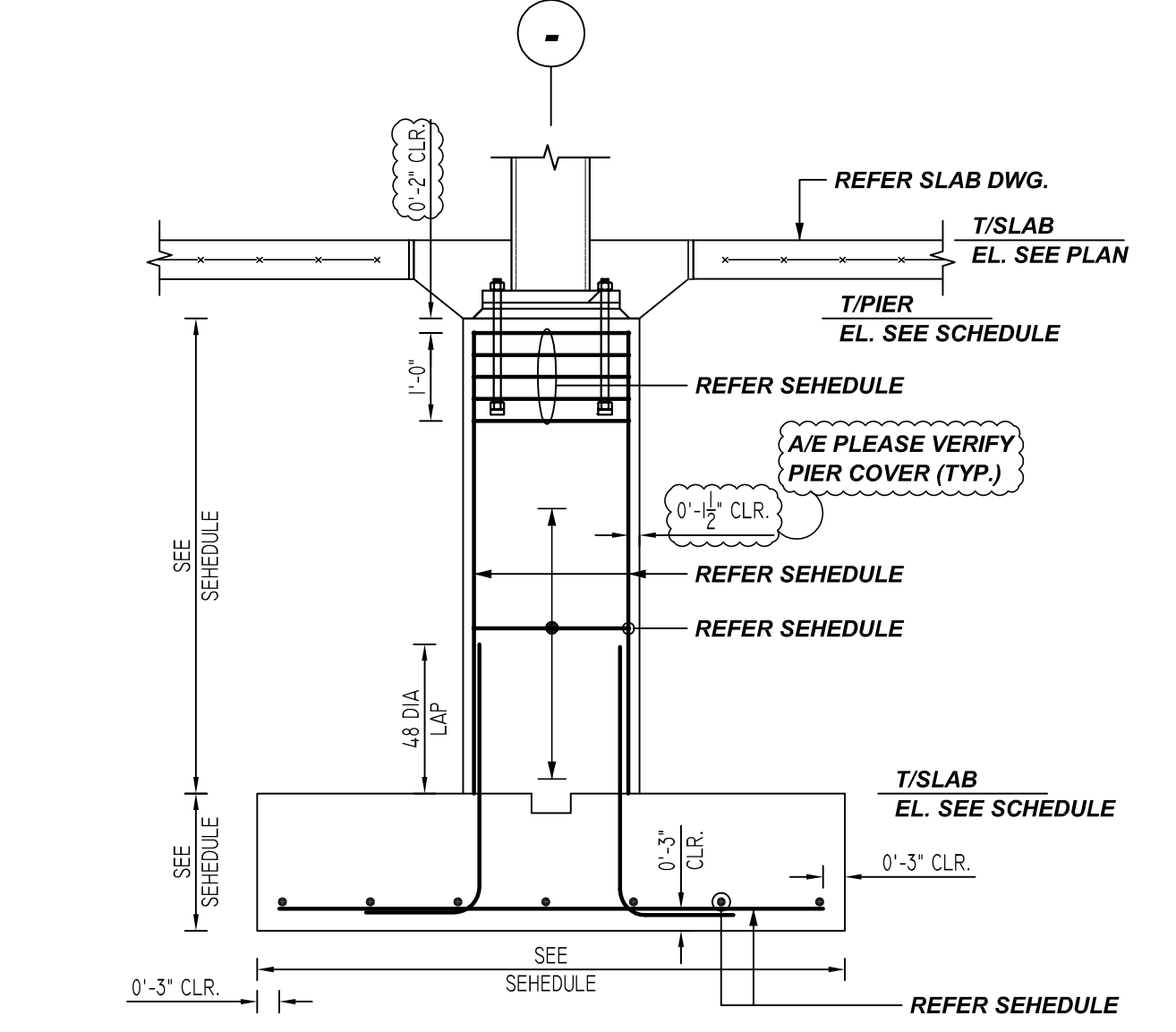


FOOTING SCHEDULE

MARK	QTY	SIZE	GRID LOCATION	REINFORCING	REMARK
F50	29	(5'-0"X5'-0"X1'-2")	1/H,K,N&Q, F/6, 7/F,K 8/E, C/9,10,11,12,13,14&15 U/5,6,7,9,10,11,12,13,14,15&16 R/16, X/10,12	29x2x6 #5 X 4'-6" EW B	DETAIL - 1
F56	4	(5'-6"X5'-6"X1'-2")	T/1, U/1,2&4 U/5,6,7,9,10,11,12,13,14,15&16	4x2x6 #6 X 5'-0" EW B	DETAIL - 1
F60	3	(6'-0"X6'-0"X1'-2")	F/3,4, & G/8	3x2x7 #6 X 5'-6" EW B	DETAIL - 1
F70	2	(7'-0"X7'-0"X1'-4")	F/1, & K/2	2x2x7 #7 X 6'-6" EW B	DETAIL - 1
F80	1	(8'-0"X8'-0"X1'-6")	P/4	2x9 #7 X 7'-6" EW B	DETAIL - 1
F86	2	(8'-6"X8'-6"X1'-6")	P/2&7	2x2x10 #7 X 8'-0" EW B	DETAIL - 1
F86B	4	(8'-6"X8'-6"X2'-0")	C/8,16 & 16/E,G	4x2x10 #7 X 8'-0" EW B	DETAIL - 1
F96	7	(9'-6"X9'-6"X1'-8")	Q/10,12,14,16 & G/10,12,14	7x2x10 #8 X 9'-0" EW B	DETAIL - 1
F110	1	(11'-0"X11'-0"X2'-0")	L/16	2x12 #8 X 10'-6" EW B	DETAIL - 1



TYPICAL INTERIOR SPREAD FOOTING DETAIL - 1
 REF: S501 & S003 (DT.04/14/22)
 SCALE: 1/2" = 1'-0"



TYPICAL SPREAD FOOTING & PIER DETAIL - 2
 REF: S501 & S003 (DT.04/14/22)
 SCALE: 1/2" = 1'-0"

AREA - A SPREAD FOOTING AND PIER REINFORCEMENT DETAILS

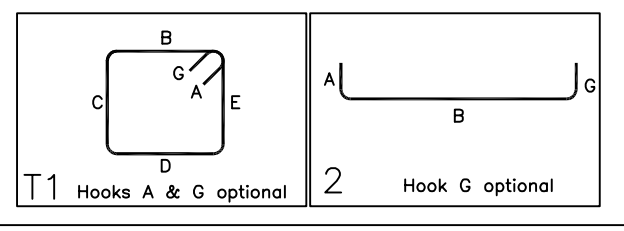
REF: S101A (DT.04/14/22)
 SCALE: 1/10" = 1'-10"

PIER SCHEDULE

MARK	QTY	SIZE	GRID LOCATION	BOT. OF PIER	TOP OF PIER	VERTS	TIES & ADD'L TIES	REMARK
P1	22	(1'-10"X1'-10")	C/8,9,10,11,12,13,14,15,16 E/8, F/1,2, G/8, 1/H,K,N, K/2, Q/1,2,4,5,8	EL. -3'-0"	EL. -0'-8"	22x2 #3 3A02 @12" TIES 22x5 #3 3A02 @3" TIES @T	DETAIL - 2	
P1A	9	(1'-10"X1'-10")	F/3,4,6,7, K/3,7 & P/3,4,7	EL. -3'-0"	EL. -1'-9"	9x8 #8 8A02 D/V 9x5 #3 3A02 @2" TIES	DETAIL - 2	
P1B	8	(1'-10"X1'-10")	U/6,8,9,10,12,13,14,15	EL. -6'-8"	EL. -0'-8"	8x8 #8 8A01 DWL 8x8 #8 X 5'-10" V 8x5 #3 3A02 @3" TIES @T	DETAIL - 2	
P1C	5	(1'-10"X1'-10")	T/1, U/1,2,4,5	EL. -7'-0"	EL. -0'-8"	5x8 #8 8A01 DWL 5x8 #8 X 6'-2" V 5x5 #3 3A02 @3" TIES @T	DETAIL - 2	
P2	2	(1'-8"X1'-8")	X/10,12	EL. -7'-0"	EL. -0'-8"	2x6 #7 7A01 DWL 2x6 #7 X 6'-2" V 5x7 #3 3A01 @12" TIES 5x5 #3 3A01 @3" TIES @T	DETAIL - 2	

BENDING DETAILS

Bar Mark	Qty	Size	Total Length	Type	X	Y	Z	W	V	U	T	S	R	Q	P	O	N	M	L	K	J	I	H	G	F	E	D	C	B	A
3A01	60	#3	6'-4 1/2"	11	0'-4 1/2"	1'-5"	1'-5"	1'-5"	1'-5"	0'-4 1/2"																				
3A02	347	#3	7'-0 1/2"	11	0'-4 1/2"	1'-7"	1'-7"	1'-7"	1'-7"	0'-4 1/2"																				
7A01	12	#7	5'-7"	2	1'-2"	4'-5"																								
8A01	104	#8	6'-4"	2	1'-4"	5'-0"																								
8A02	72	#8	3'-6"	2	1'-4"	2'-2"																								
8A03	176	#8	4'-5"	2	1'-4"	3'-1"																								



TYPICAL REINFORCING BAR CLEARANCE TABLE

LOCATION	MIN. COVER
FOOTING BOTTOM	3" CLR
FOOTING SIDE	3" CLR

**ALL BARS IN THIS DRAWING
 ASTM A615 GRADE 60
 BLACK UNCOATED**

REBAR GRADE 60 ASTM A-615

SPLICES USED

CLASS B 4,000 psi UNO

TOP BARS	OTHER BARS
#3 24"	#3 19"
#4 32"	#4 25"
#5 40"	#5 31"
#6 48"	#6 37"
#7 70"	#7 54"
#8 80"	#8 62"
#9 91"	#9 70"
#10 102"	#10 79"
#11 113"	#11 87"
#14	#14

ABBREVIATIONS
 ADD. = Additional
 B.O.W. = Bottom of wall
 C.B. = Corner Bars
 DIA.G. = Diagonal
 D.O. = Door Opening
 DWLS. = Dowels
 E.F. = Each Face
 E.S. = Each Side
 E.W. = Each Way
 FTG. = Footing
 F.F. = Far Face
 HORIZ. = Horizontal
 I.F. = Inside Face
 INTERS. = Intersection
 L.W. = Long Way
 N.F. = Near Face
 O.F. = Outside Face
 S.W. = Short Way
 T&B = Top & Bottom
 T.O.W. = Top of Wall
 Trans. = Transverse
 VERT. = Vertical

BAR MARK SIZE EQUIVALENT

Imperial	Soft Metric
#3	#10
#4	#13
#5	#16
#6	#19
#7	#22
#8	#25
#9	#29
#10	#32
#11	#36

FOOD BANK OF DELAWARE
 AREA - A SPREAD FOOTING AND PIER REINFORCEMENT DETAILS
MILFORD, DE 19963

CUSTOMER: -
 DESIGNER: -
 DRAWN BY: RS/SS DATE: 05.23.22 JOB NO: - SHEET NO: R01

REVISIONS

REV NO	DATE	APPROVAL	SENT FOR	REV NO	DATE	SENT FOR
0	05.23.22					