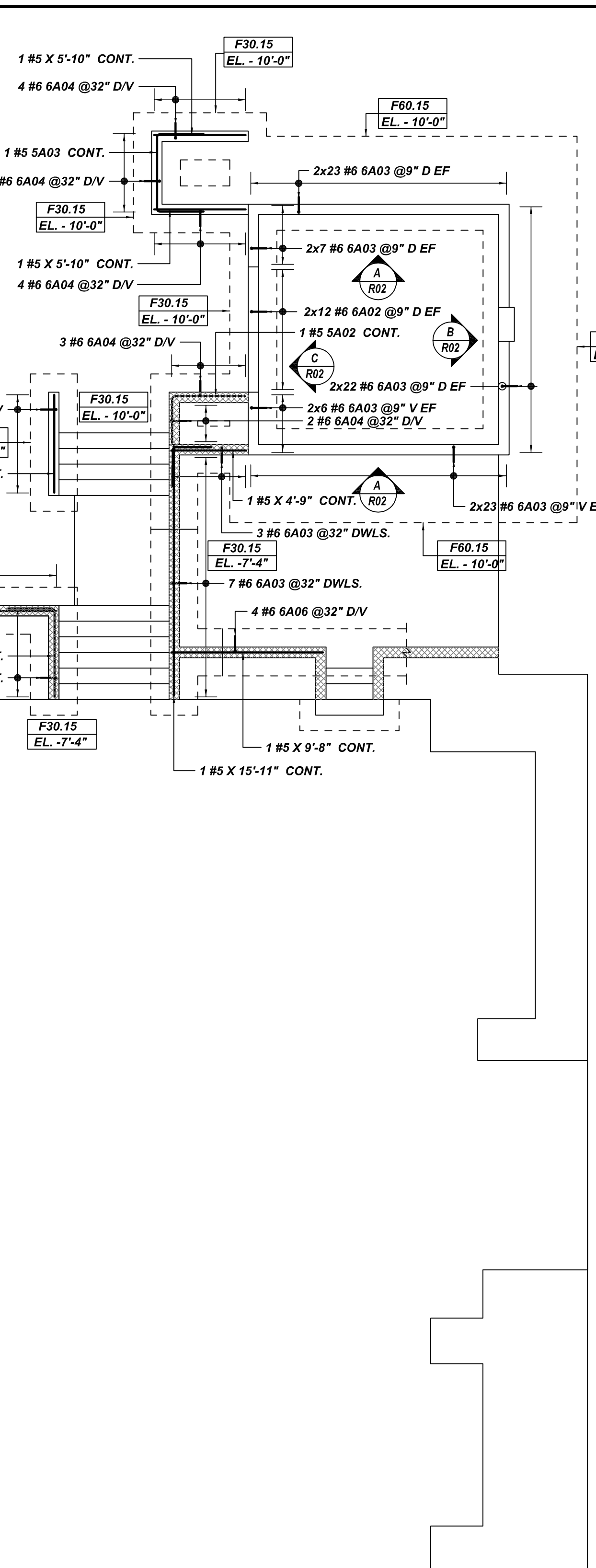
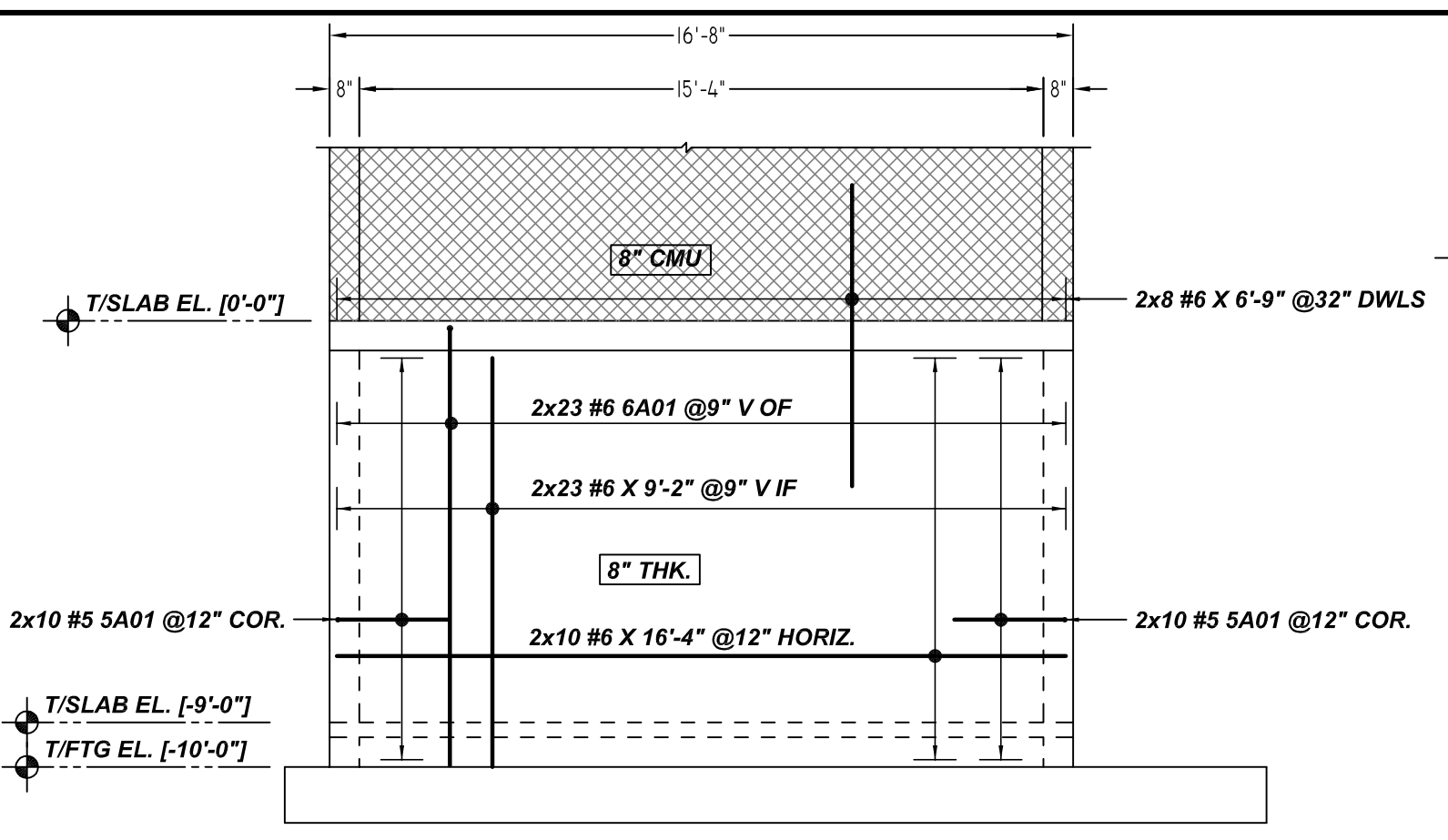
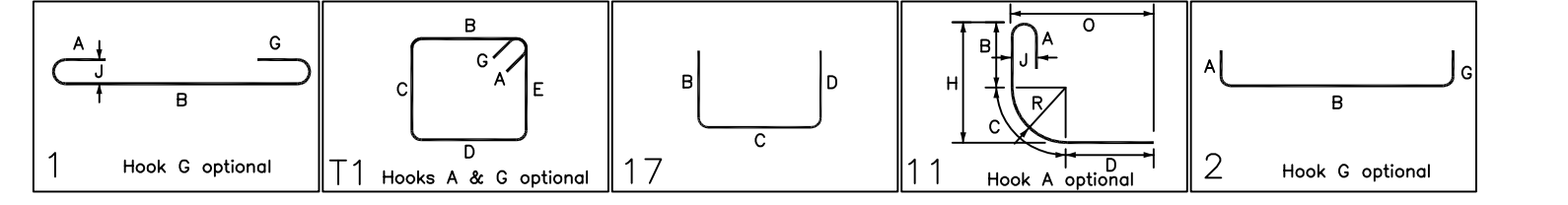


**BASEMENT CMU WALL AND CONCRETE WALL REINFORCEMENT DETAILS**  
 SCALE - 1/6"=1'-0"  
 REF: S1.00, S1.01, S2.01, S3.01 & S4.01

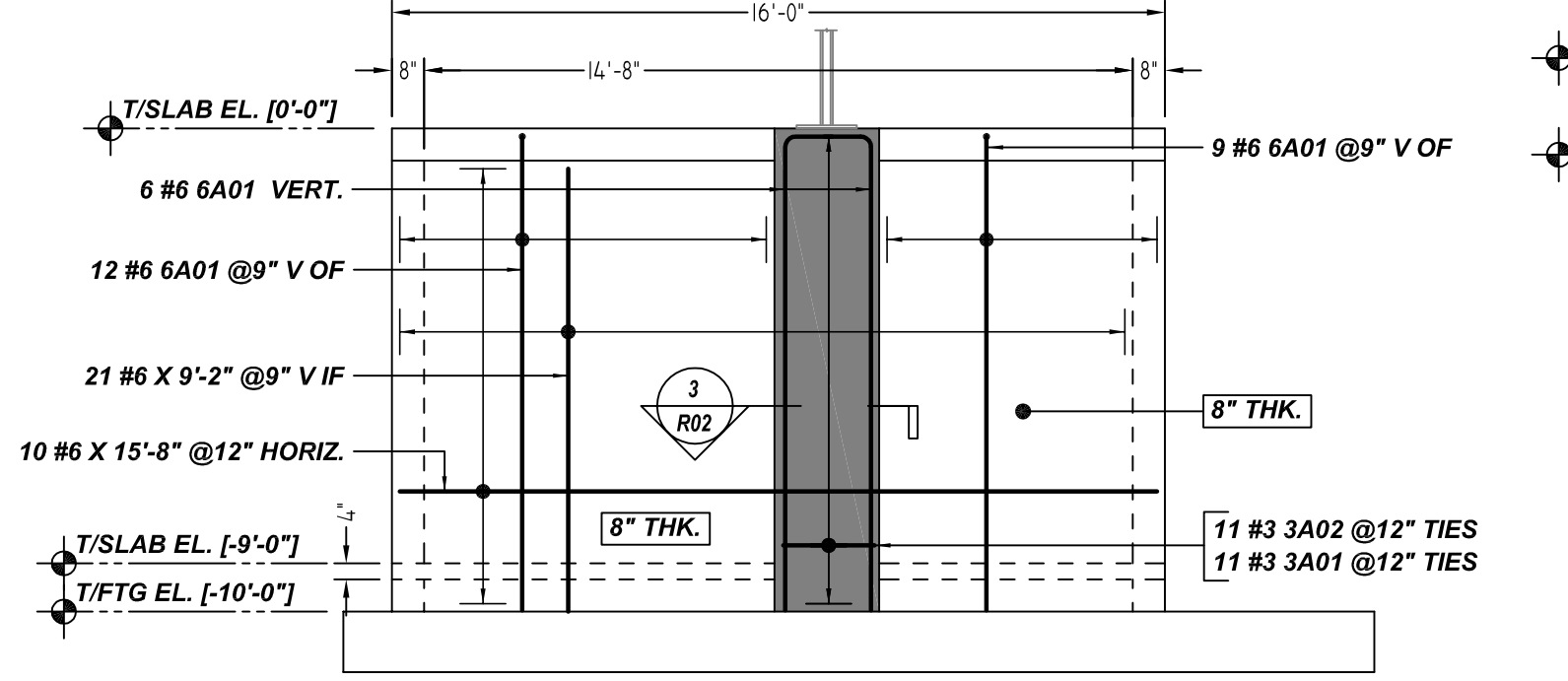


Release Number: R02

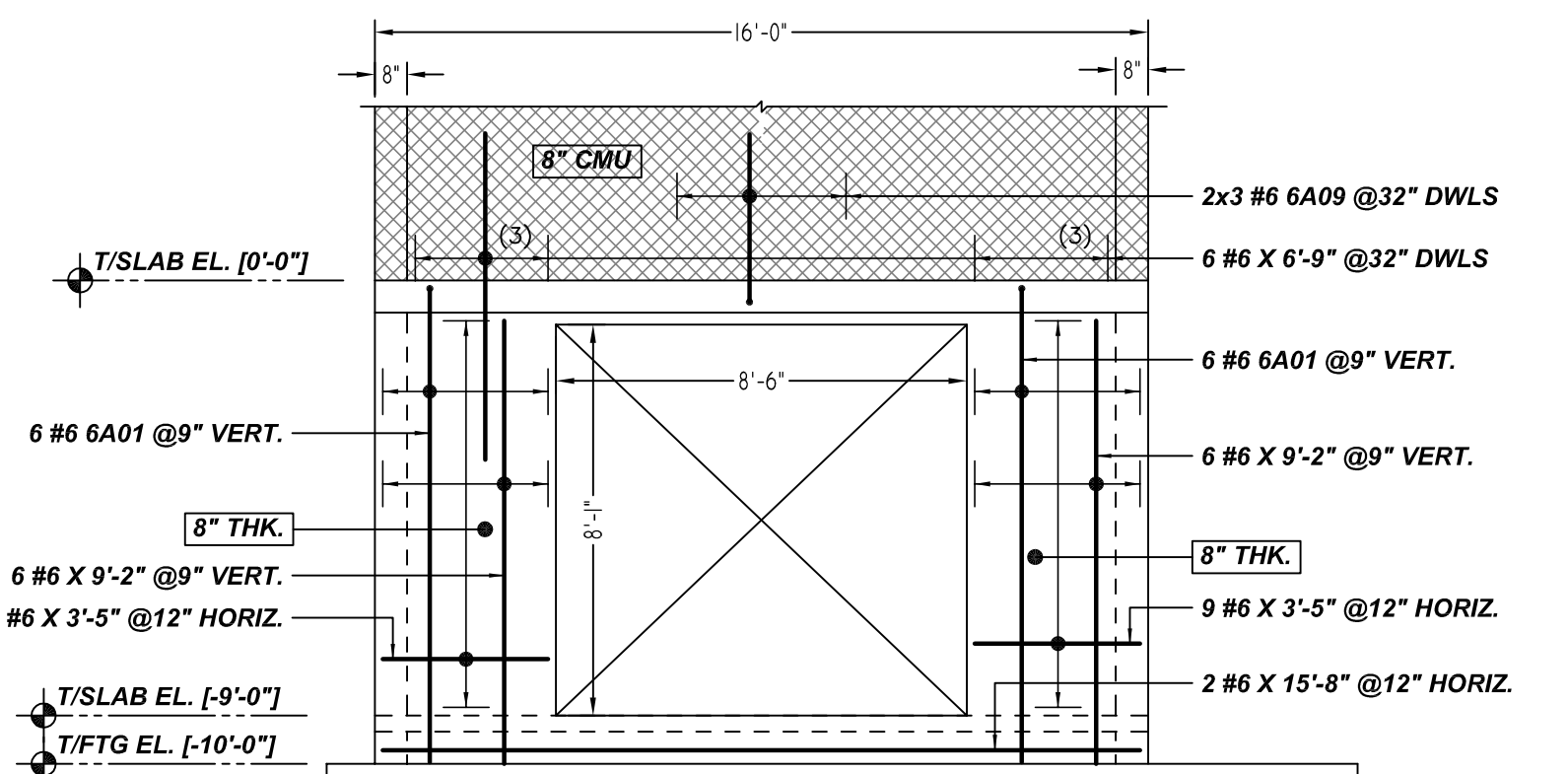
Bar Mark	Qty	Size	Total Length	Type	X'	Y'	Z'	T'	U'	V'	W'	X'	Y'	Z'	U'	V'	W'
S401	11	#3	1'-7"	1	0'-5"	0'-9"											
S402	11	#3	6'-3"	11	0'-5 1/2"	0'-9"											
S403	46	#3	5'-0"	17	2'-4"	2'-4"											
S404	1	#5	7'-4"	17	3'-0"	5'-0"	3'-0"										
S405	2	#5	7'-0"	17	2'-4"	2'-4"	2'-4"										
S406	1	#5	8'-8"	17	3'-0"	5'-8"											
S407	1	#5	24'-0 1/2"	11	1'-9 1/2"	12'-0 1/2"	10'-2 1/2"										
S408	1	#5	13'-3 1/2"	11	2'-11 1/2"	7'-4"	3'-0"										
S409	1	#5	21'-2 1/2"	11	3'-0"	15'-2 1/2"	3'-0"										
S410	1	#5	10'-2 1/2"	11	1'-0"	4'-2 1/2"	3'-0"										
S411	1	#5	15'-3 1/2"	11	3'-0"	7'-3 1/2"	3'-0"										
6A01	85	#6	10'-10"	2	1'-0"	9'-10"											
6A02	24	#6	2'-8 1/2"	2	1'-0"	1'-8 1/2"											
6A03	172	#6	5'-8"	2	1'-0"	4'-8"											
6A04	24	#6	5'-8"	2	1'-0"	4'-8"											
6A05	68	#6	7'-8 1/2"	2	1'-0"	6'-8 1/2"											
6A06	14	#6	5'-8 1/2"	2	1'-0"	4'-8 1/2"											
6A07	78	#6	4'-8 1/2"	2	1'-0"	3'-8 1/2"											
6A09	8	#6	4'-8"	2	1'-0"	3'-8"											



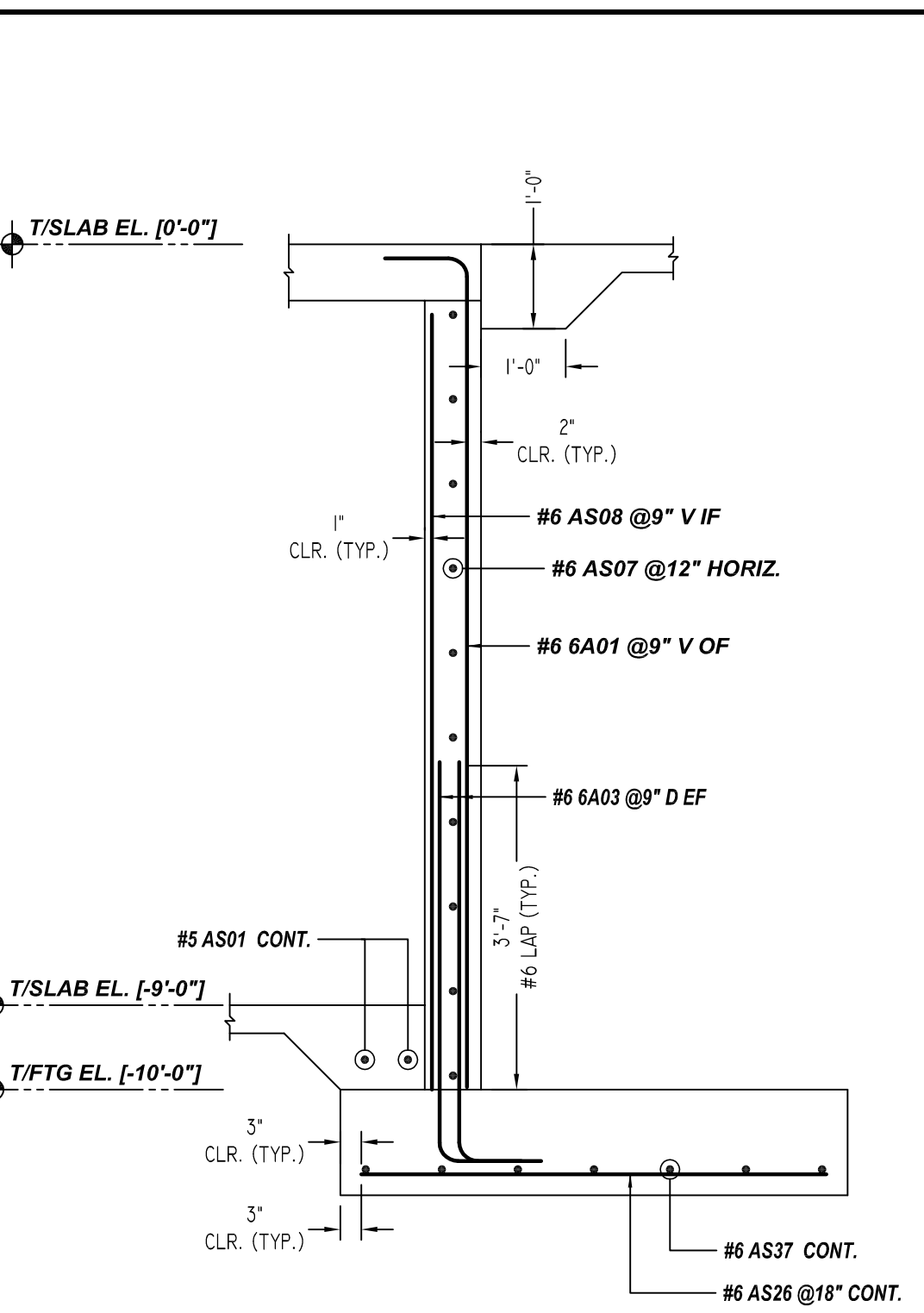
**A ELEVATION**  
 SCALE - 1/4"=1'-0"  
 REF: S-1.00 & S-4.01  
 2 REQ'D



**B ELEVATION**  
 SCALE - 1/4"=1'-0"  
 REF: S-1.00 & S-4.01

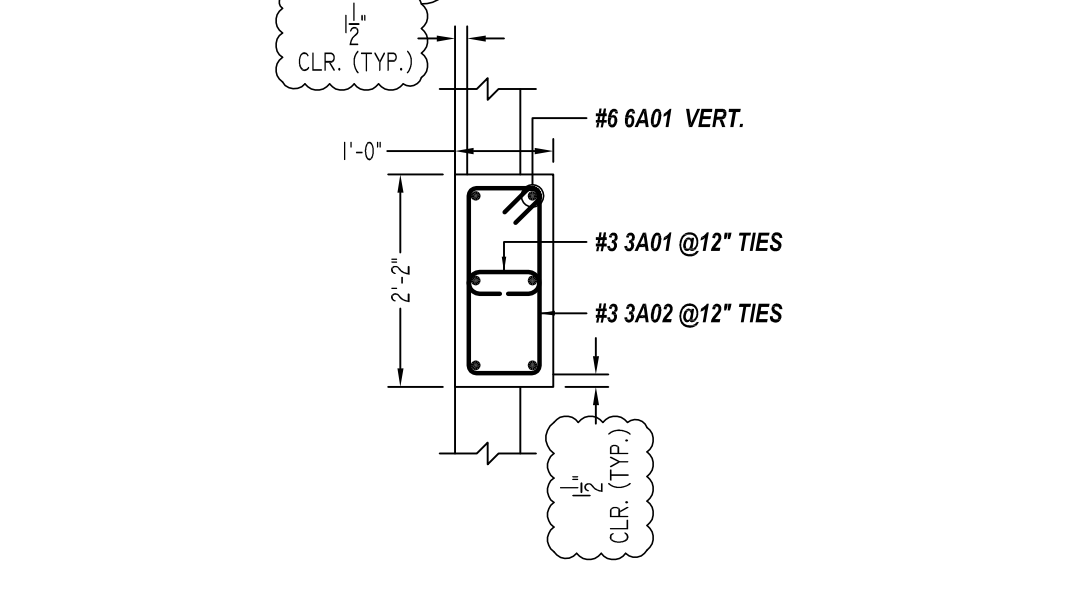


**C ELEVATION**  
 SCALE - 1/4"=1'-0"  
 REF: S-1.00 & S-4.01

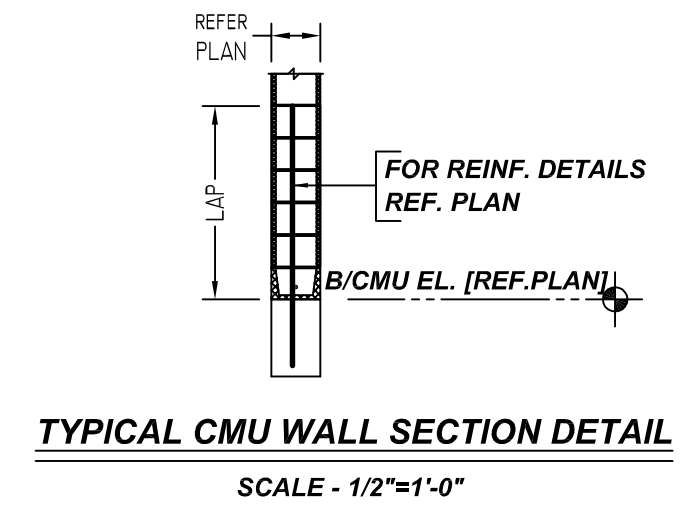


**2 SECTION**  
 SCALE - 1/2"=1'-0"  
 REF: A / S4.01

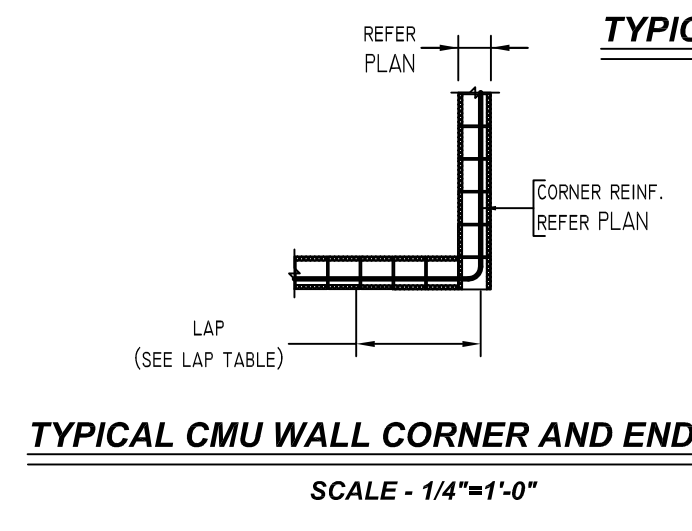
A/E PLEASE VERIFY THE COVER VALUE WE PROVIDED (TYP.)



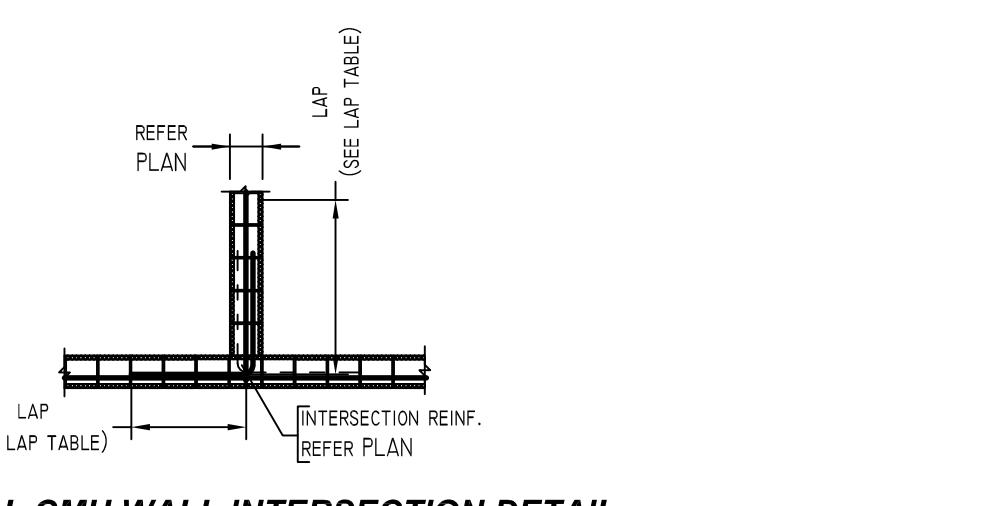
**3 SECTION**  
 SCALE - 1/2"=1'-0"  
 REF: A / S4.01



**TYPICAL CMU WALL SECTION DETAIL**  
 SCALE - 1/2"=1'-0"



**TYPICAL CMU WALL CORNER AND END DETAIL**  
 SCALE - 1/4"=1'-0"



**TYPICAL MASONRY CONTROL JOINT (MCJ)**  
 SCALE - 1/4"=1'-0"

GRADE	60 A615	PRINT RECORD	
PREFIX		NO.	TO FOR DATE
BAR LIST NOS.			
MK	REVISION	DATE	
0	FOR APPROVAL	10/11/2021	
<b>BASEMENT CMU WALL AND CONCRETE WALL REINFORCEMENT DETAILS</b>			
CUSTOMER	RIOPELLE RESIDENCE SEAWALL'S POINT		
JOB	79 S RIVER ROAD, SEAWALL'S POINT, FL 34996		
LOCATION			
DRAWN	DATE	CONTROL POINT	DWG. NO.
AND/MET	10/11/2021	-	R02

