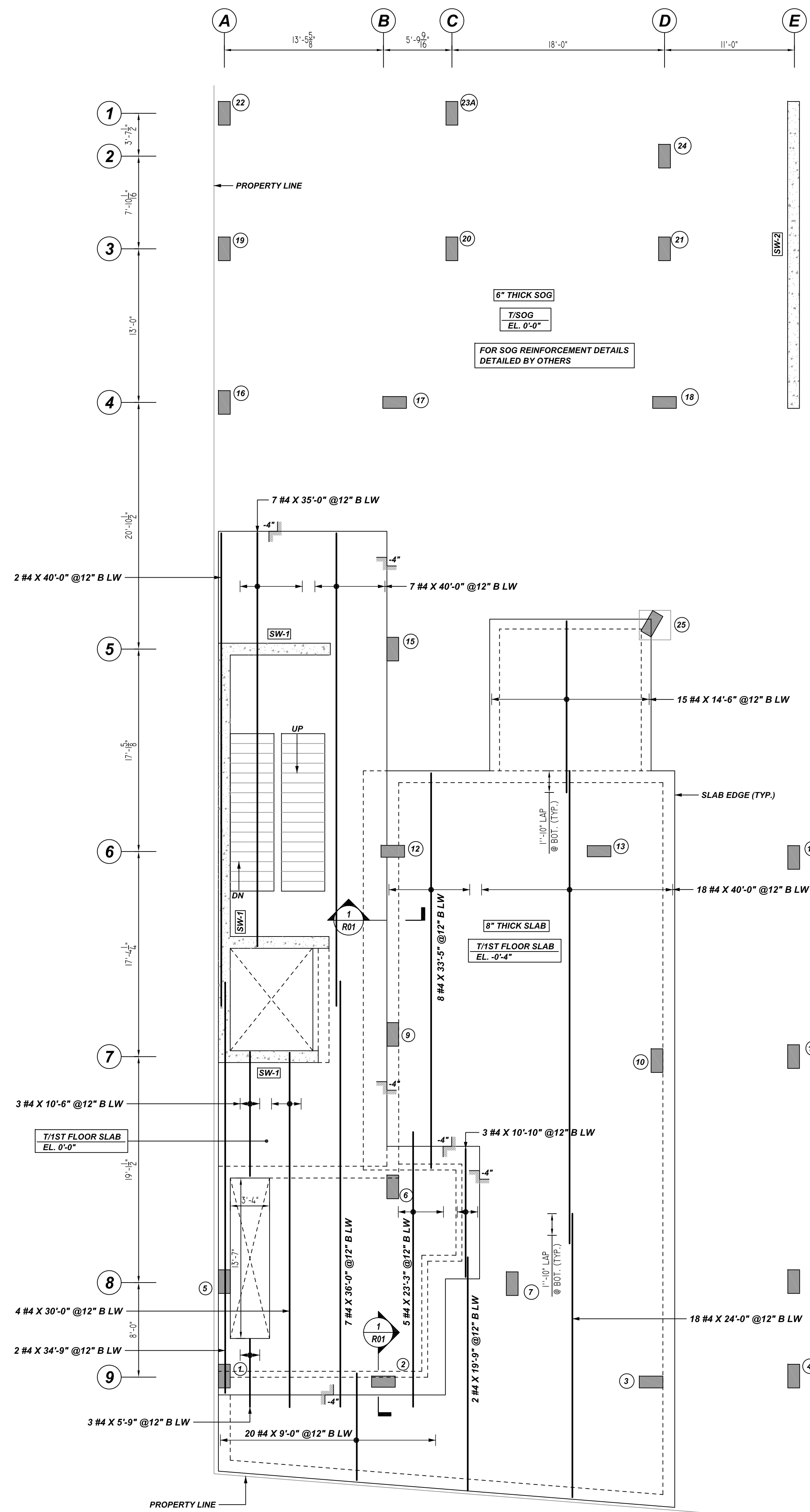
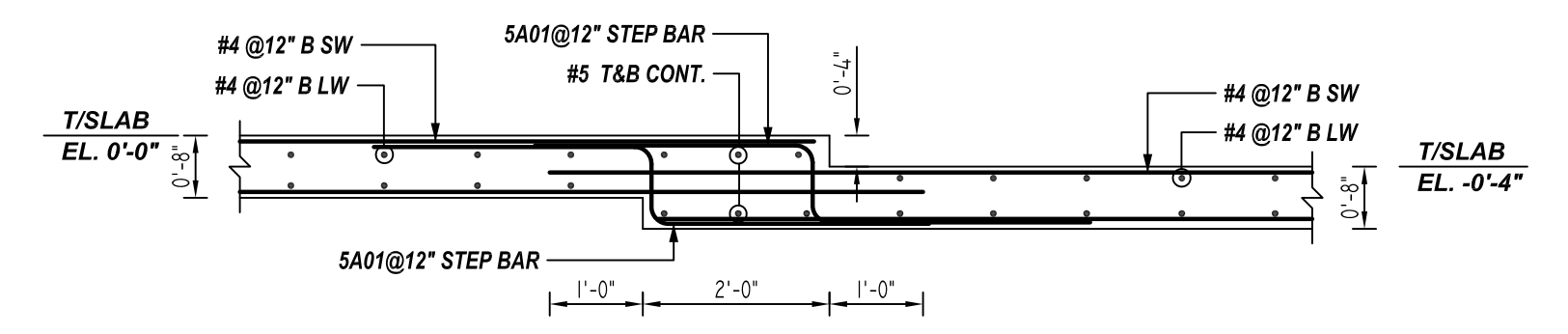


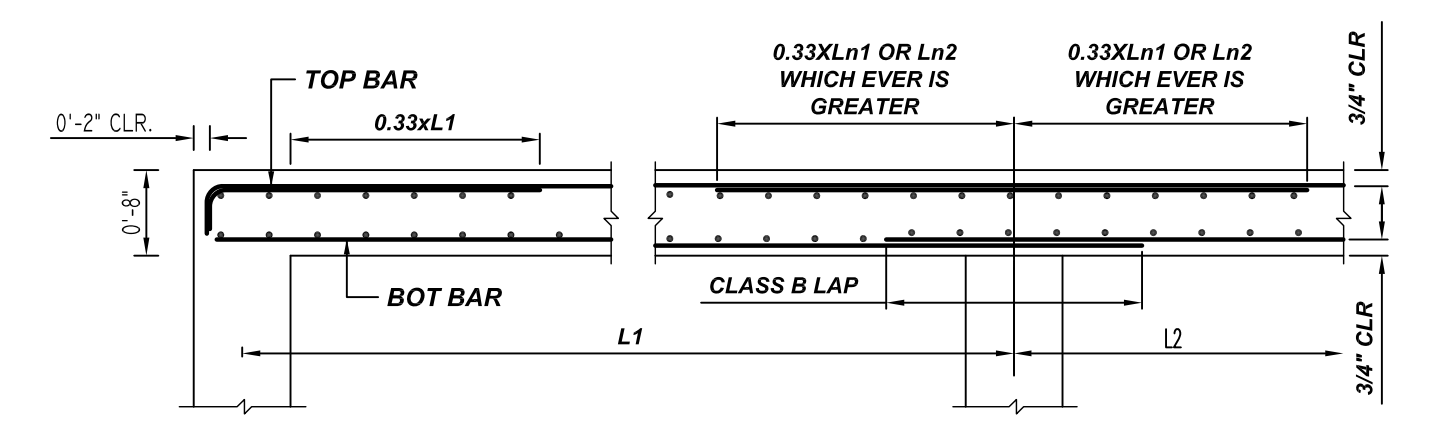
1 ST FLOOR SLAB REINFORCEMENT DETAILS
 REF: S-101.00(DT.05/19/22)
 SCALE: 1/8" = 1'-0"



1 ST FLOOR SLAB REINFORCEMENT DETAILS
 REF: S-101.00(DT.05/19/22)
 SCALE: 1/8" = 1'-0"



SECTION 1
 REF: XXX (DT.mmi/dd/yy)
 SCALE: X/X" = X'-X"



TYPICAL SLAB REINFORCEMENT LENGTH DETAIL
 SCALE - 1/2" = 1'-0"
 REF: -

A/E PLEASE VERIFY BAR ARRANGEMENT DETAILS

LAP SCHEDULE

5000 PSI (CLASS-B) CASE - 1
 Per ACI - 318 (12.2.2)

BAR#	LENGTHS	
	TOP	OTHERS
#3	22"	17"
#4	29"	22"
#5	36"	28"
#6	54"	42"
#7	63"	49"
#8	72"	56"
#9	81"	63"
#10	92"	71"
#11	127"	98"

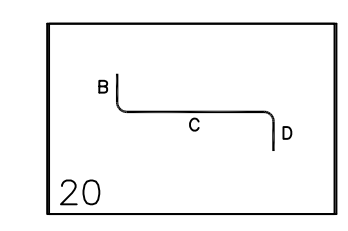
ALL TOP BARS ARE DEFINED AS HORIZ BARS WITH MORE THAN 12" OF CONCRETE BELOW BARS.

TYPICAL REINFORCING BAR CLEARANCE TABLE

LOCATION	MIN. COVER
SLAB TOP & BOTTOM	3/4" CLR
SLAB EDGE	2" CLR

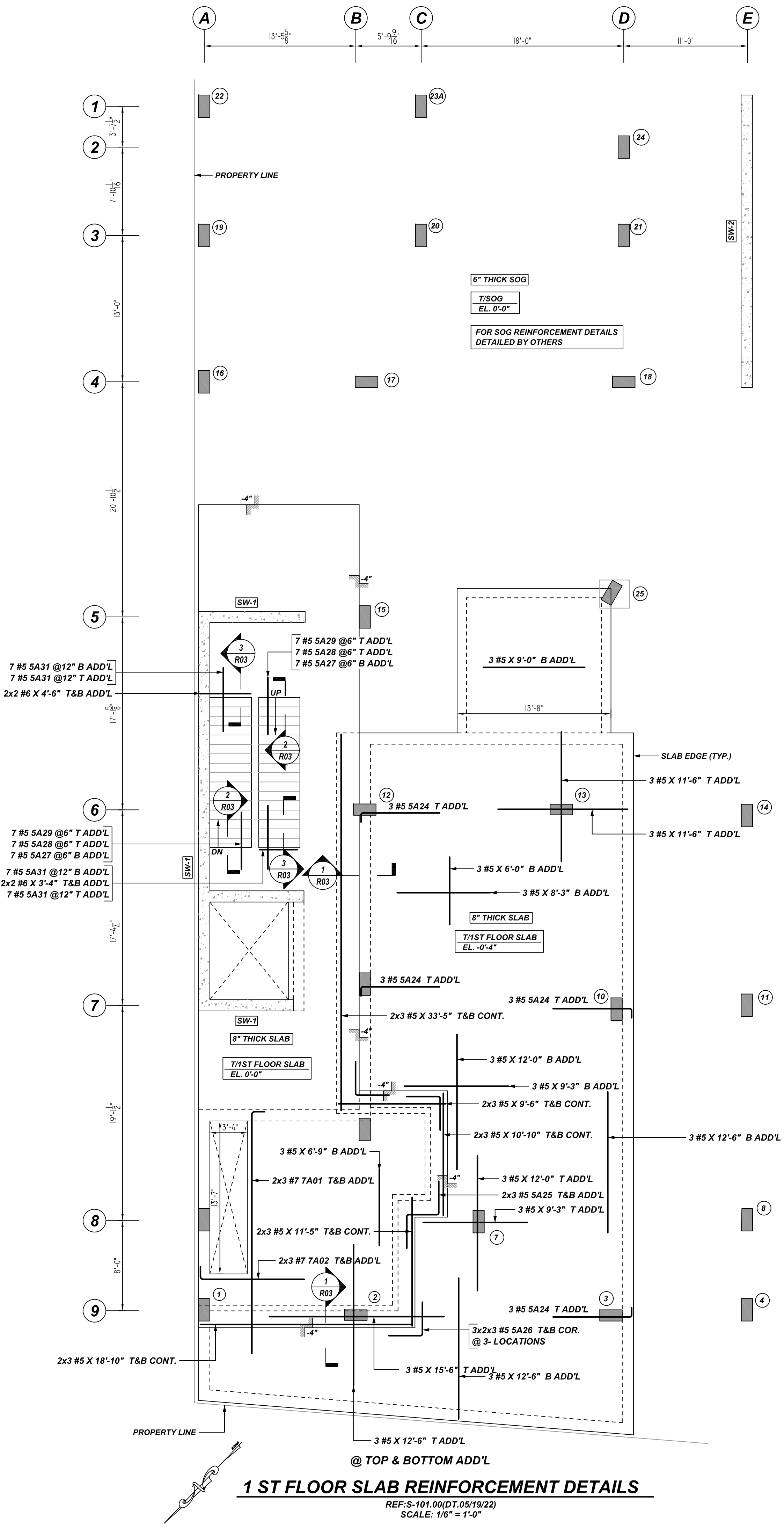
**ALL BARS IN THIS DRAWING
 ASTM A615 GRADE 60
 BLACK UNCOATED**

Bar No.	Qty	Size	Total Length	Type	X	Y	Z	BENDING DETAILS
401	78	#4	4'-5.8"	20		1'-10"	0'-10.4"	1'-10"

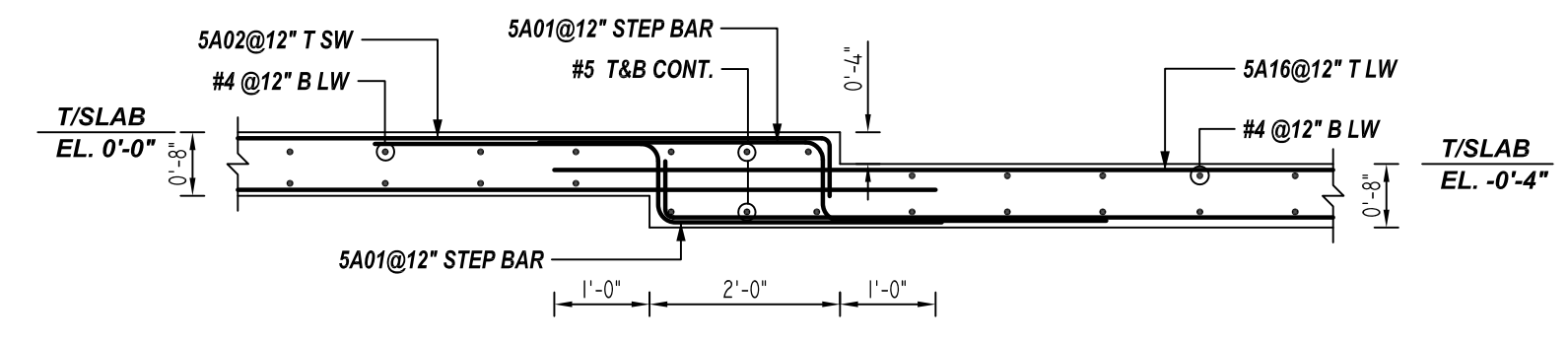


FOR APPROVAL

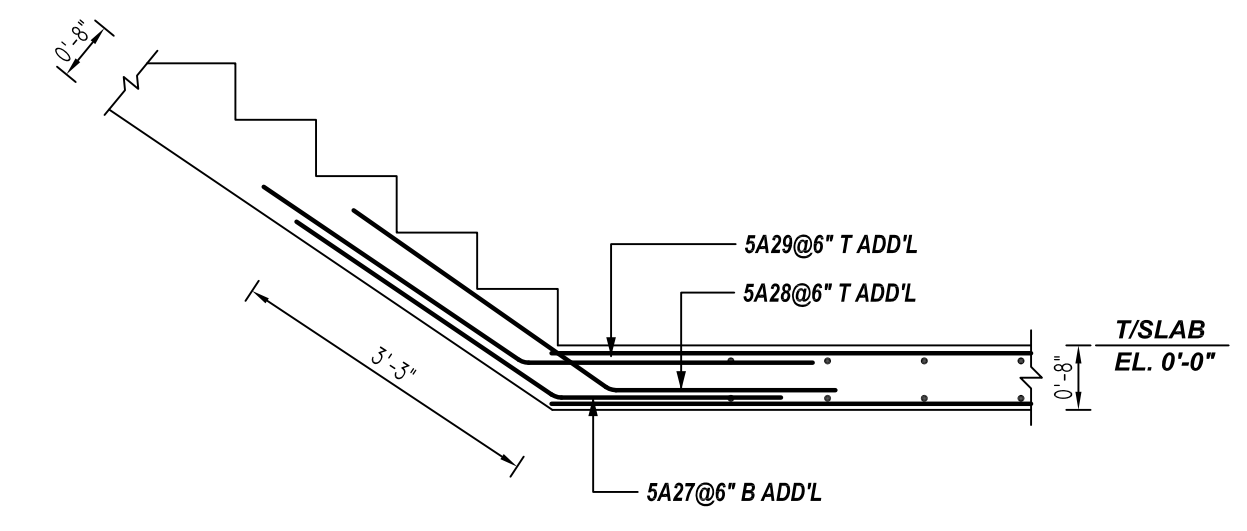
GRADE	A615/60(UNO)			STRUCTURE	1ST FLOOR SLAB REINFORCEMENT DETAILS
PREFIX	A			FLOOR	1ST FLOOR
BAR LIST NOS.				JOB NO.	--
REV	0	DESCRIPTION	ISSUED DATE	ISSUED FOR	CUSTOMER
		IFA	09/14/2022	APPROVAL	31-27 CRESCENT ST
					LONG ISLAND, NY 11106
DRAWN	MRS	DATE	09/14/2020	CONTROL CODE	---
				DWG. NO.	R01



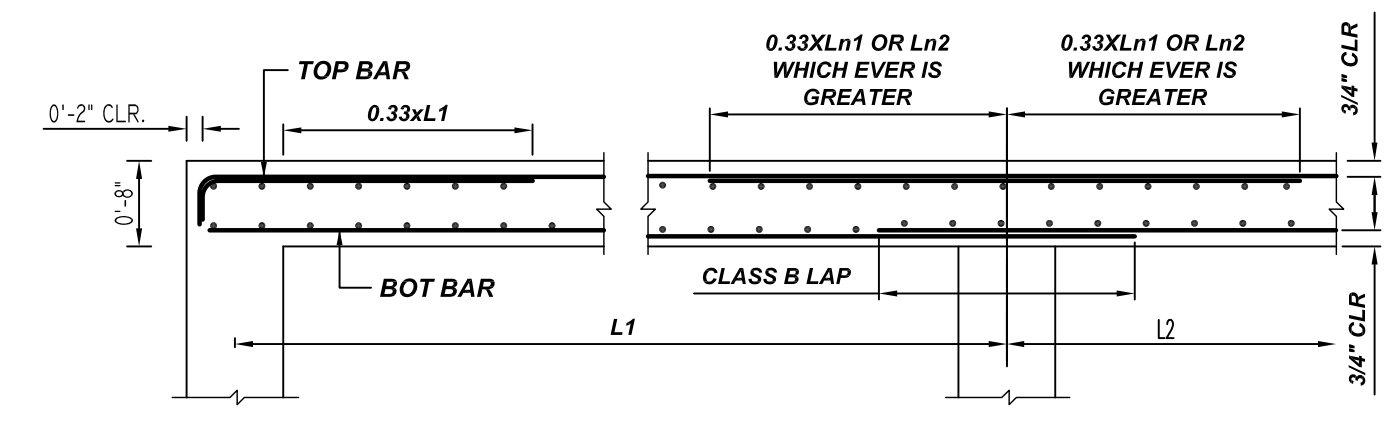
1 ST FLOOR SLAB REINFORCEMENT DETAILS
 REF: S-101.00 (DT.05/19/22)
 SCALE: 1/6" = 1'-0"



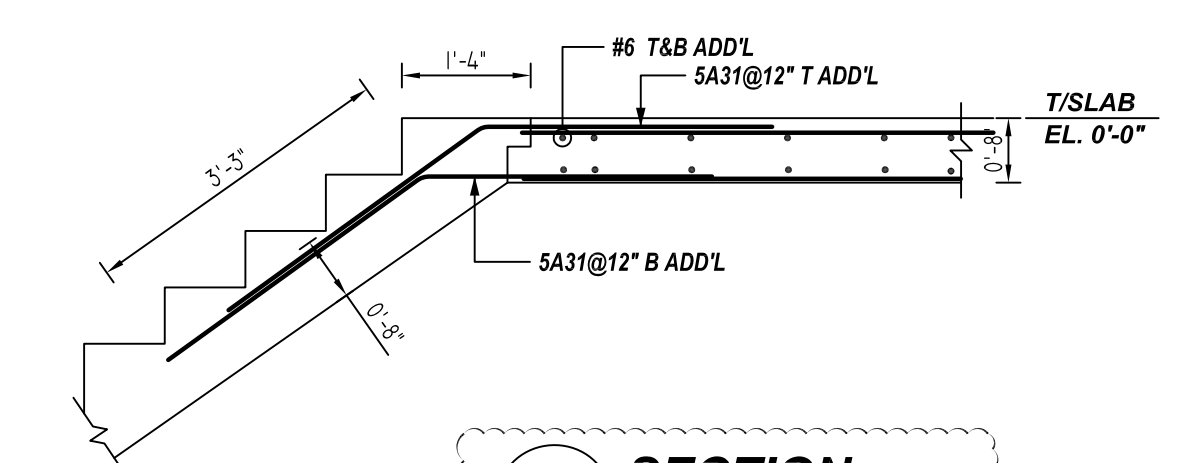
1 SECTION
 REF: S-101.00 (DT.05/19/22)
 SCALE: 1/2" = 1'-0"



2 SECTION
 REF: S-101.00 (DT.05/19/22)
 SCALE: 1/2" = 1'-0"
 A/E PLEASE VERIFY SECTION AND BAR ARRANGEMENT



TYPICAL SLAB REINFORCEMENT LENGTH DETAIL
 SCALE: 1/2" = 1'-0"
 REF: -



3 SECTION
 REF: S-101.00 (DT.05/19/22)
 SCALE: 1/2" = 1'-0"

LAP SCHEDULE

5000 PSI (CLASS-B) CASE - 1
 Per ACI 318 (12.2.2)

BAR#	LENGTHS	
	TOP	OTHERS
#3	22"	17"
#4	29"	22"
#5	36"	28"
#6	54"	42"
#7	63"	49"
#8	72"	56"
#9	81"	63"
#10	92"	71"
#11	127"	98"

TYPICAL REINFORCING BAR CLEARANCE TABLE

LOCATION	MIN. COVER
SLAB TOP & BOTTOM	3/4" CLR
SLAB EDGE	2" CLR

**ALL BARS IN THIS DRAWING
 ASTM A615 GRADE 60
 BLACK UNCOATED**

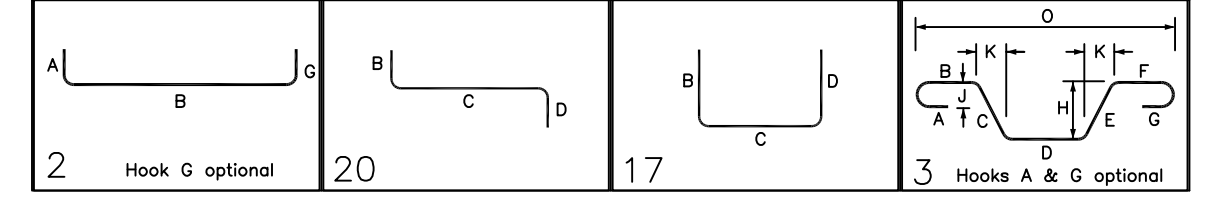
ALL TOP BARS ARE DEFINED AS HORIZ BARS WITH MORE THAN 12" OF CONCRETE BELOW BARS.

ACCESSORIES DETAILS

S. NO	ELEMENT	DESCRIPTION	PCS	LFT	REMARK
1	8" THK SLAB	4.25" HT CHCU @4'-0" C/C	-	2775	FOR T&B BARS SUPPORT

Release Number: R03

Bar Mark	Qty	Size	Total Length	Type	X	Y	Z	V	W	U	T	S	R	Q	P	O
5A24	12	#5	7'-10"	2	0'-10"	7'-0"										
5A25	6	#5	8'-10 1/2"	20	3'-0"	2'-10 1/2"	3'-0"									
5A26	18	#5	6'-0"	17	3'-0"	3'-0"										
5A27	14	#5	5'-6 1/2"	3	2'-4"	3'-2 1/2"			1'-10 1/2"		2'-7 1/2"		4'-11 1/2"			
5A28	14	#5	5'-6 1/2"	3	2'-4"	3'-2 1/2"			1'-10 1/2"		2'-7 1/2"		4'-11 1/2"			
5A29	14	#5	6'-2 1/2"	3	3'-0"	3'-2 1/2"			1'-10 1/2"		2'-7 1/2"		5'-7 1/2"			
5A31	28	#5	6'-2 1/2"	3	3'-0"	3'-2 1/2"			1'-11 1/2"		2'-7 1/2"		5'-7 1/2"			
7A01	6	#7	22'-8"	2	1'-2"	21'-6"										
7A02	6	#7	16'-5"	2	1'-2"	9'-3"										



FOR APPROVAL

GRADE	A615/60(UNO)			STRUCTURE	1ST FLOOR SLAB REINFORCEMENT DETAILS
PREFIX	A				FLOOR
BAR LIST NOS.				JOB NO.	-
REV	DESCRIPTION	ISSUED DATE	ISSUED FOR	CUSTOMER	-
0	IFA	09/14/2022	APPROVAL	JOB	31-27 CRESCENT ST
				LOCATION	LONG ISLAND, NY 11106
				DRAWN	DATE
				MRS	09/14/2020
				CONTROL CODE	-
				DWG. NO.	R03