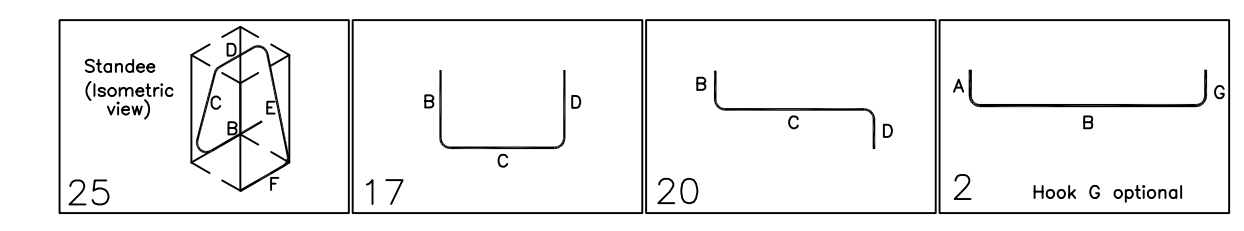
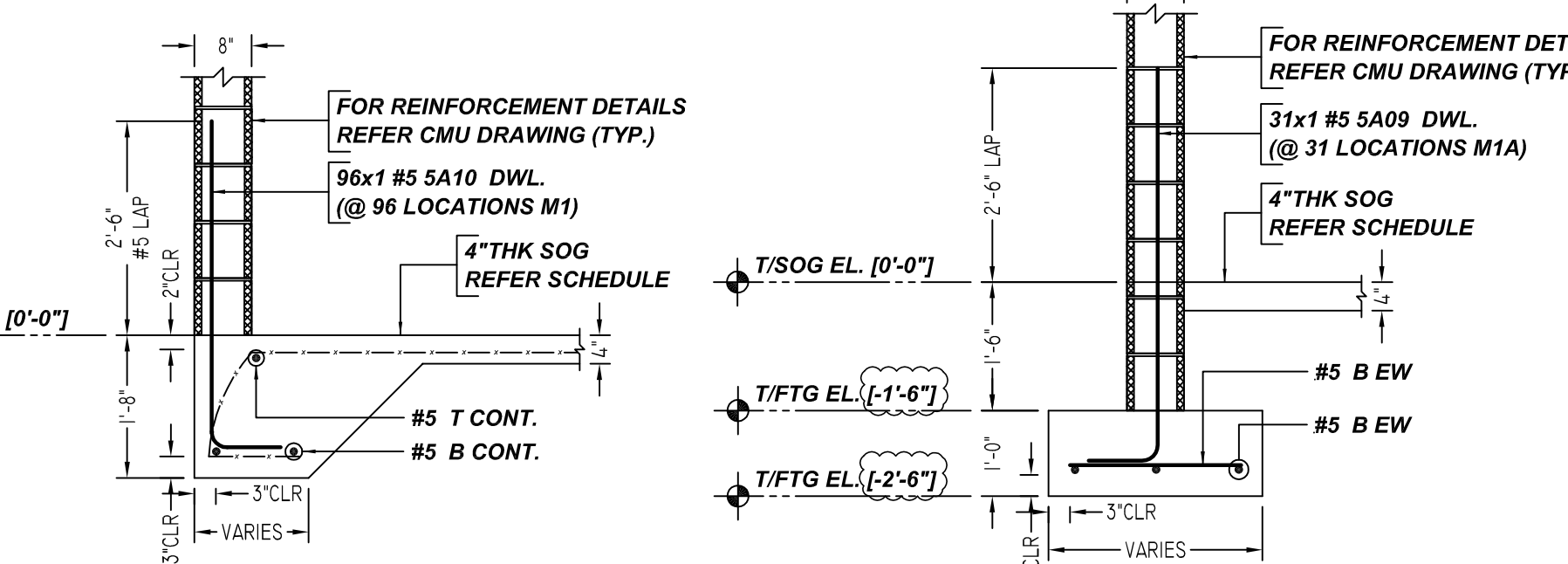


Bar Mark	Qty	Size	Total Length	Type	X	Y	Z	W	V	U	T	S	R	Q	P	O	N	M	L	K	J	I	H	G	F	E	D	C	B	A
SA01	4	#5	4'-5"	25		1'-6"	0'-4"	0'-8"	0'-4"	1'-6"	0'-4"	0'-5"	0'-8"	0'-5"	0'-2"															
SA02	16	#5	4'-6"	25		1'-6"	0'-5"	0'-8"	0'-4"	1'-6"	0'-5"	0'-8"	0'-5"	0'-2"																
SA03	65	#5	6'-0"	17		3'-0"	3'-0"	3'-0"	3'-0"	3'-0"	3'-0"	3'-0"	3'-0"	3'-0"																
SA04	3	#5	8'-0"	20		3'-0"	2'-0"	3'-0"	3'-0"	3'-0"	3'-0"	3'-0"	3'-0"	3'-0"																
SA05	3	#5	10'-0"	20		3'-0"	4'-0"	3'-0"	3'-0"	3'-0"	3'-0"	3'-0"	3'-0"	3'-0"																
SA06	3	#5	9'-0"	20		3'-0"	3'-0"	3'-0"	3'-0"	3'-0"	3'-0"	3'-0"	3'-0"	3'-0"																
SA07	3	#5	9'-0"	17		3'-0"	3'-0"	3'-0"	3'-0"	3'-0"	3'-0"	3'-0"	3'-0"	3'-0"																
SA09	31	#5	5'-5"	2		0'-10"	4'-7"	4'-7"	4'-7"	4'-7"	4'-7"	4'-7"	4'-7"	4'-7"																
SA10	96	#5	4'-8"	2		0'-10"	3'-10"	3'-10"	3'-10"	3'-10"	3'-10"	3'-10"	3'-10"	3'-10"																

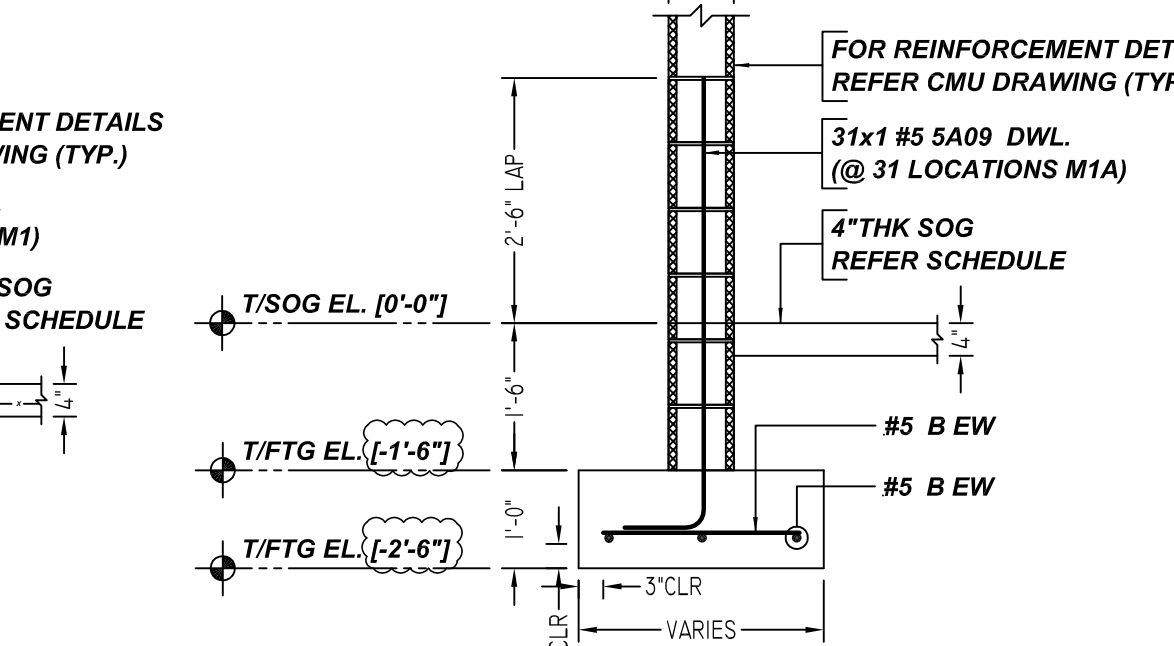


### FOOTING SCHEDULE

MARK	QTY	SIZE	GRID LOCATION	REINFORCING	REMARK
F1	1	6'-8"X6'-8"X1'-0"	-	2x6 #5 X 6'-2" B EW	REFER SECTION 2
F2	2	6'-0"X6'-0"X1'-0"	-	2x2x6 #5 X 5'-6" B EW	REFER SECTION 2
F3	2	4'-6"X4'-6"X1'-0"	-	2x2x4 #5 X 4'-0" B EW	REFER SECTION 2
F4	1	4'-4"X4'-4"X1'-0"	-	2x4 #5 X 3'-10" B EW	REFER SECTION 2
F5	8	3'-0"X3'-0"X1'-0"	-	8x2x4 #5 X 2'-6" B EW	REFER SECTION 2
F7	1	5'-6"X5'-6"X1'-0"	-	2x5 #5 X 5'-0" B EW	REFER SECTION 2
F8	1	3'-0"X4'-4"X1'-0"	-	4 #5 X 2'-6" B SW 3 #5 X 3'-10" B LW	REFER SECTION 2
F9	5	2'-6"X2'-6"X1'-0"	-	5x2x3 #5 X 2'-0" B EW	REFER SECTION 2
F10	1	3'-0"X4'-0"X1'-0"	-	4 #5 X 2'-6" B SW 3 #5 X 3'-6" B LW	REFER SECTION 2
F11	1	2'-6"X3'-0"X1'-0"	-	3 #5 X 2'-0" B SW 3 #5 X 2'-6" B LW	REFER SECTION 2
F12	1	4'-0"X4'-0"X1'-0"	-	2x4 #5 X 3'-6" B EW	REFER SECTION 2
F13	2	4'-0"X6'-0"X1'-0"	-	2x6 #5 X 3'-6" B SW 2x4 #5 X 5'-6" B LW	REFER SECTION 2
F15	2	5'-6"X10'-11"X1'-0"	-	2x6 #5 X 5'-0" @12" B SW 2x5 #5 X 10'-5" T&B LW 6 #5 5A02 STANDEES	REFER SECTION 2
F16	1	2'-8"X7'-0"X1'-0"	-	8 #5 X 2'-2" @12" B SW 2x3 #5 X 6'-6" T&B LW 4 #5 5A02 STANDEES	REFER SECTION 2
F17	1	3'-6"X6'-3"X1'-0"	-	7 #5 X 3'-0" @12" B SW 2x4 #5 X 5'-9" T&B LW 2 #5 5A02 STANDEES	REFER SECTION 2
F18	1	4'-8"X8'-6"X1'-0"	-	9 #5 X 4'-2" @12" B SW 2x4 #5 X 8'-0" T&B LW 4 #5 5A02 STANDEES	REFER SECTION 2
F19	1	6'-4"X8'-0"X1'-0"	-	2x9 #5 X 5'-10" @12" T&B SW 2x7 #5 X 7'-6" @12" T&B LW 4 #5 5A01 STANDEES	REFER SECTION 2



**SECTION 1**  
SCALE - 1/2"=1'-0"  
REF: S1.0 & S1.2  
(@ 96 LOCATIONS M1)



**SECTION 2**  
SCALE - 1/2"=1'-0"  
REF: S1.0 & S1.2  
(@ 31 LOCATIONS M1A)

### FOUNDATION REINFORCEMENT DETAILS

SCALE - 1/8"=1'-0"  
REF: S0.1 & S5.1

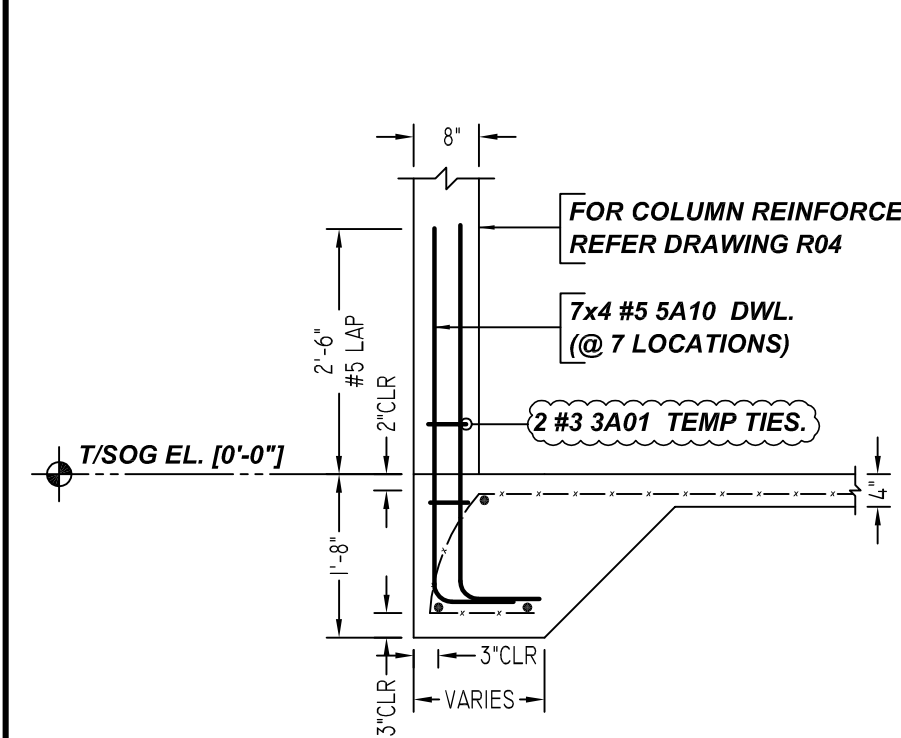
A/E PLEASE VERIFY BAR ARRANGEMENT

LAP SCHEDULE		
SIZE	3000 PSI	
	TOP	OTHERS
#3	28"	22"
#4	37"	29"
#5	47"	36"
#6	56"	43"
#7	81"	63"
#8	93"	72"
#9	105"	81"
#10	118"	91"
#11	131"	101"

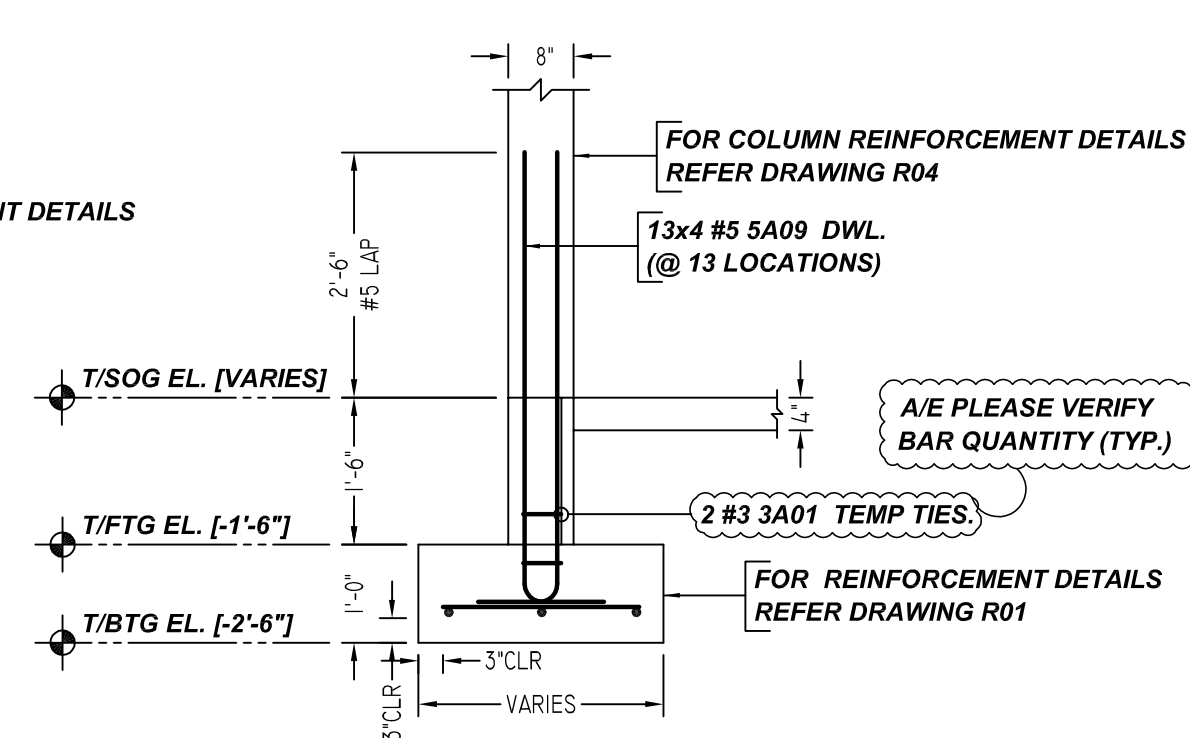
TYPICAL REINFORCING BAR CLEARANCE TABLE		
LOCATION	MIN. COVER	
FOOTING TOP	2" CLR	
FOOTING BOTTOM	3" CLR	

**ALL BARS IN THIS DRAWING  
ASTM A615 GRADE 60  
BLACK UNCOATED**

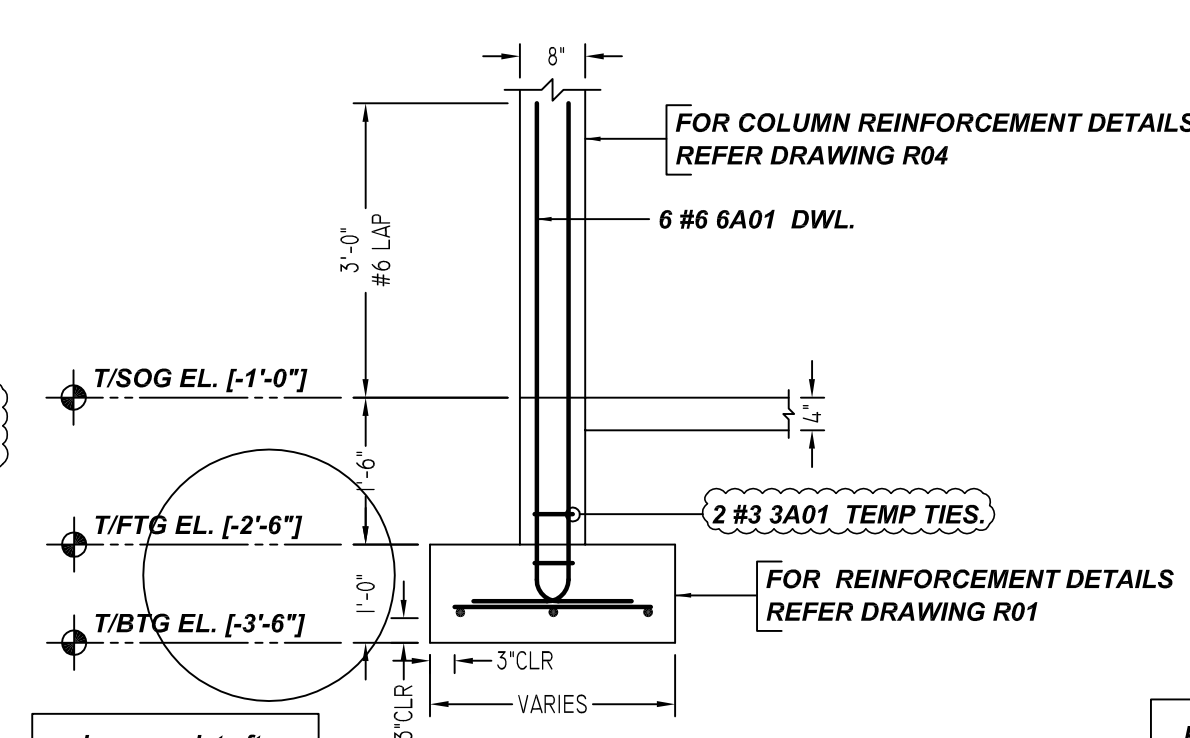
GRADE	60 A615		
PREFIX			
BAR LIST NOS.			
PRINT RECORD		NO. TO FOR DATE	
MK	REVISION	DATE	
0	FOR APPROVAL	10/11/21	
FOUNDATION REINFORCEMENT DETAILS			
CUSTOMER	STUBER CONSTRUCTION		
JOB	SHINN PLANS		
LOCATION	DELRAY BEACH, FLORIDA 33445		
DRAWN	DATE	CONTROL CODE	DWG. NO.
SRN/MET	10/11/2021	-	R01



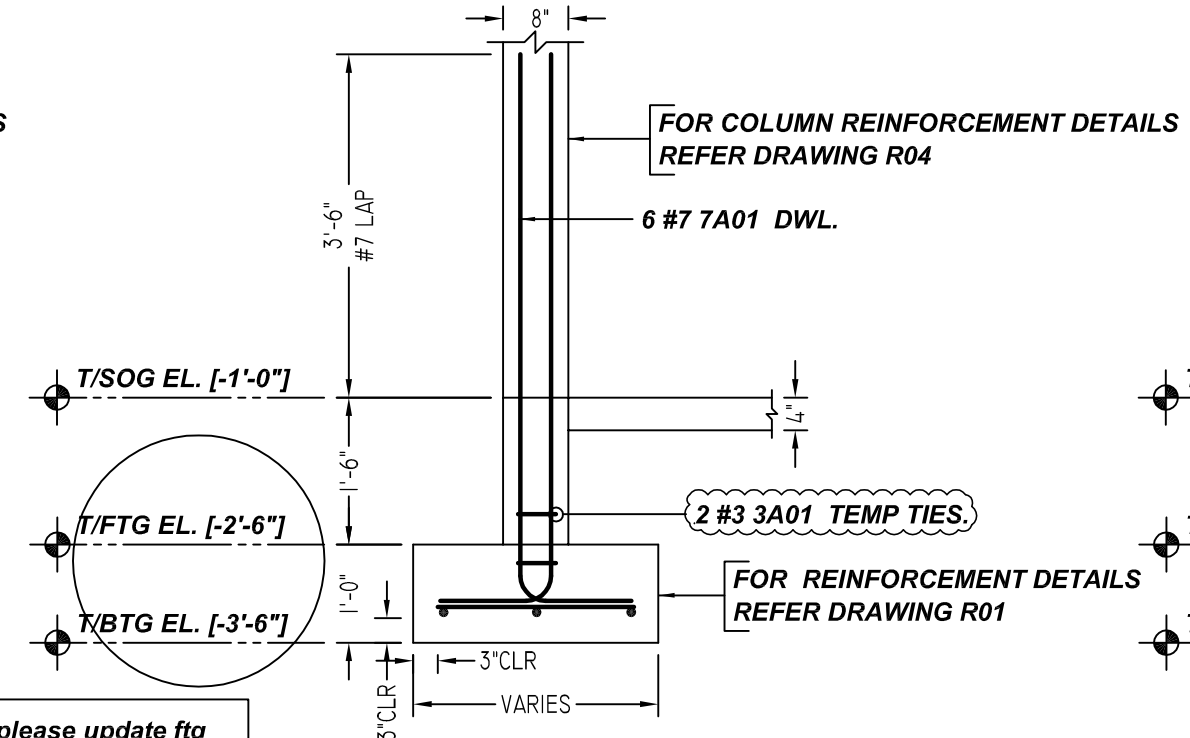
**COLUMN 1**  
SCALE - 1/2"=1'-0"  
REF: S1.0 & S1.2  
(@ 7 LOCATIONS)



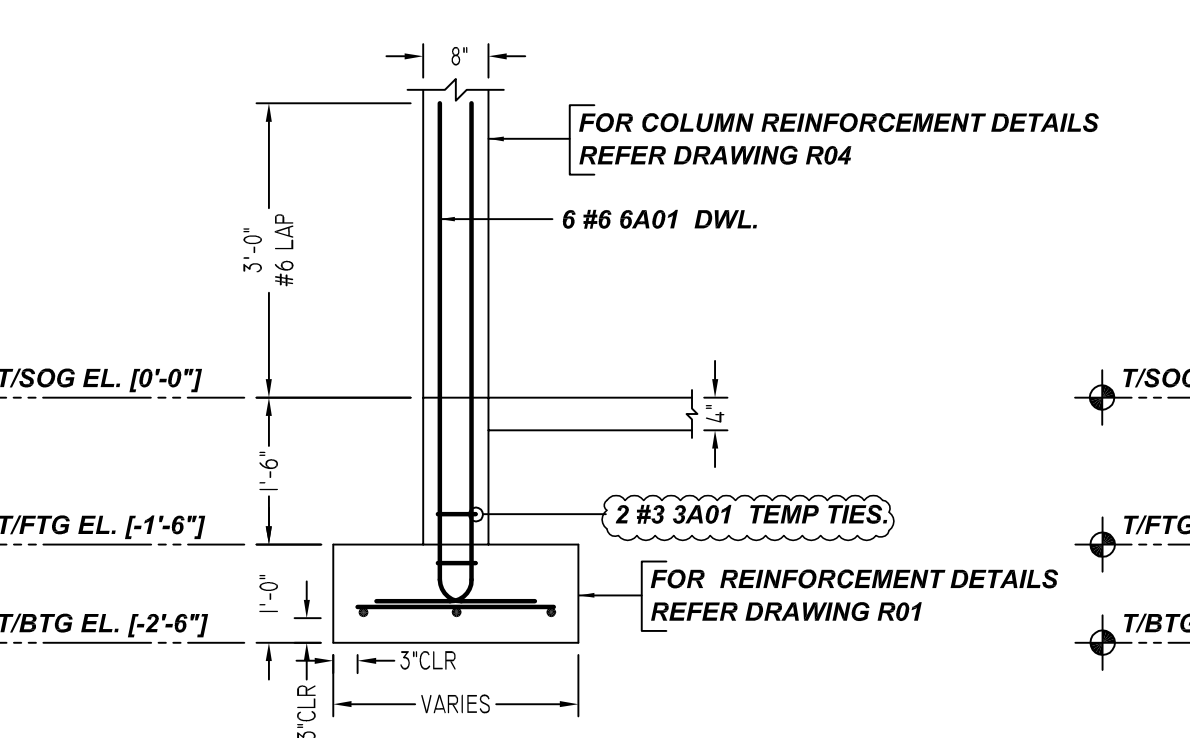
**COLUMN 1A**  
SCALE - 1/2"=1'-0"  
REF: S1.0 & S1.2  
(@ 13 LOCATIONS)



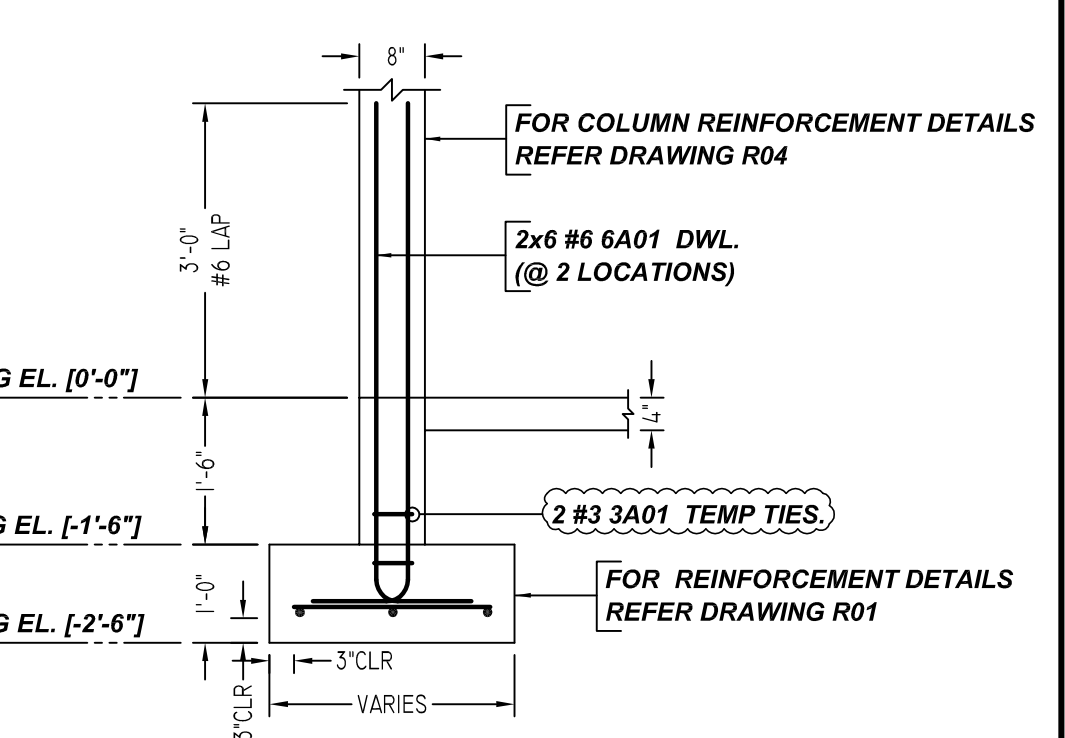
**COLUMN 2**  
SCALE - 1/2"=1'-0"  
REF: S1.0 & S1.2



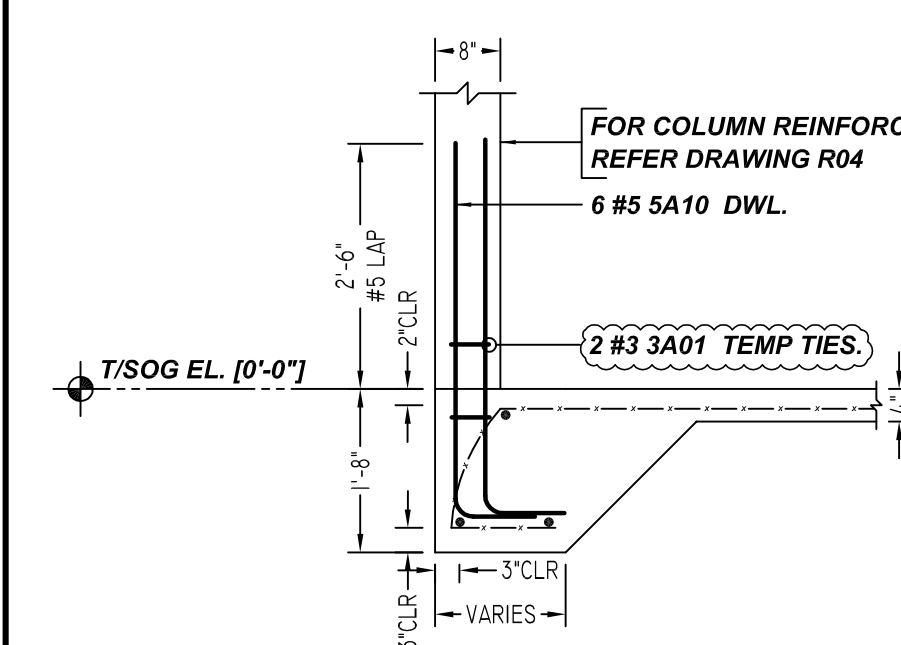
**COLUMN 3**  
SCALE - 1/2"=1'-0"  
REF: S1.0 & S1.2



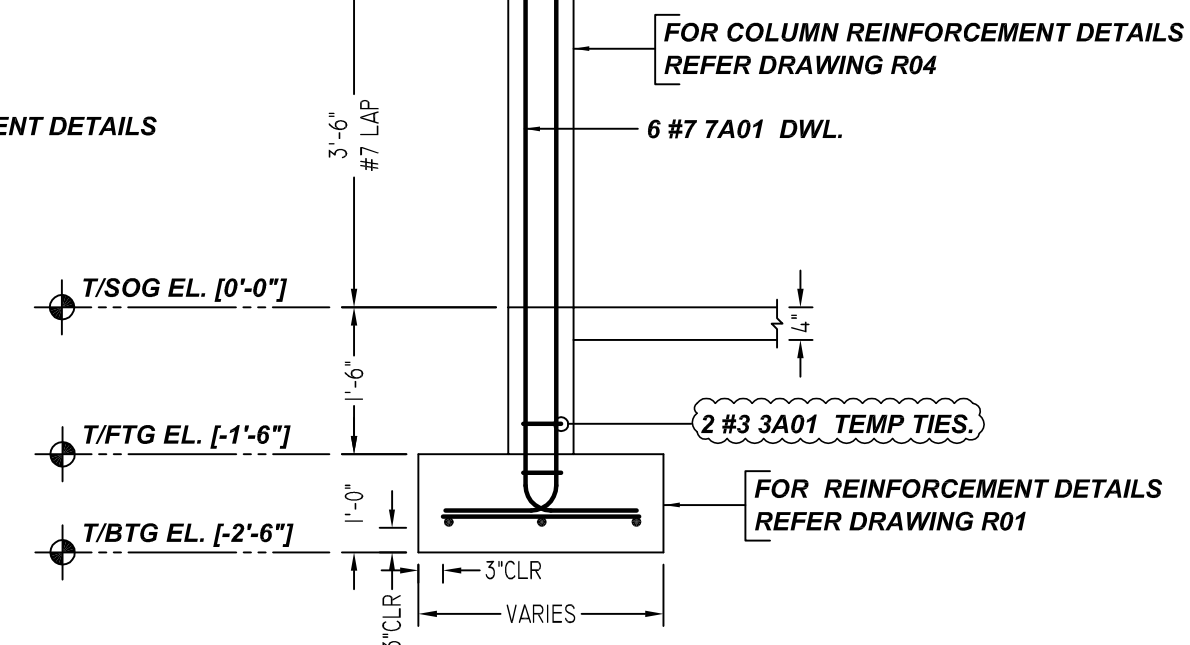
**COLUMN 5**  
SCALE - 1/2"=1'-0"  
REF: S1.0 & S1.2



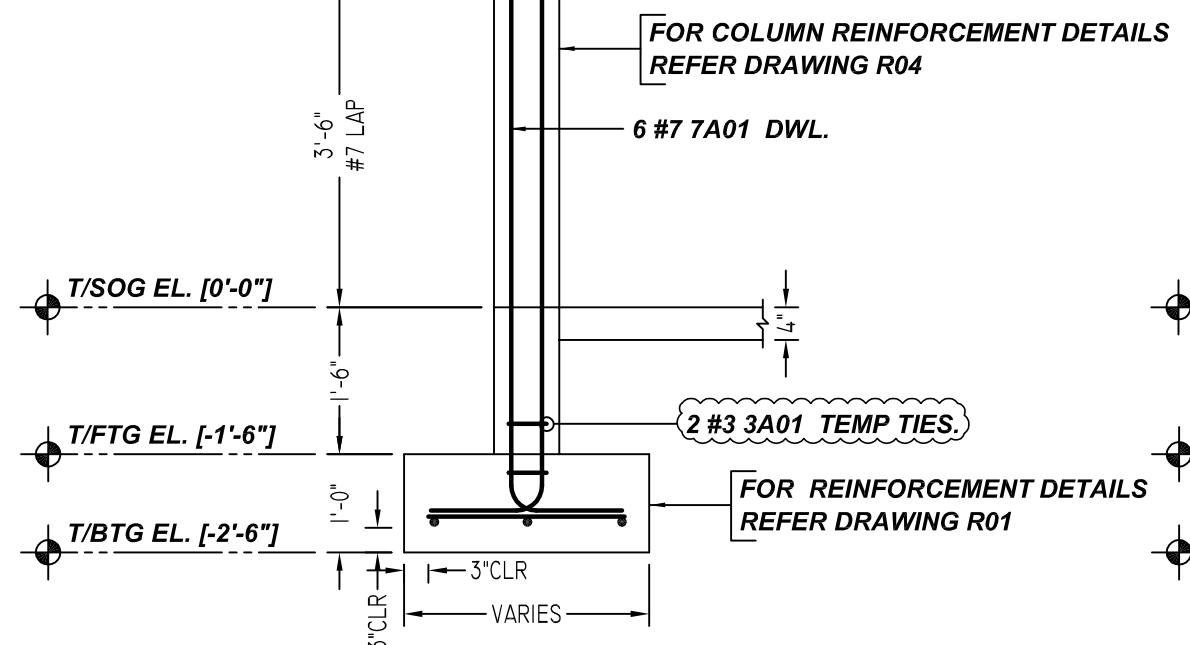
**COLUMN 7**  
SCALE - 1/2"=1'-0"  
REF: S1.0 & S1.2  
(@ 2 LOCATIONS)



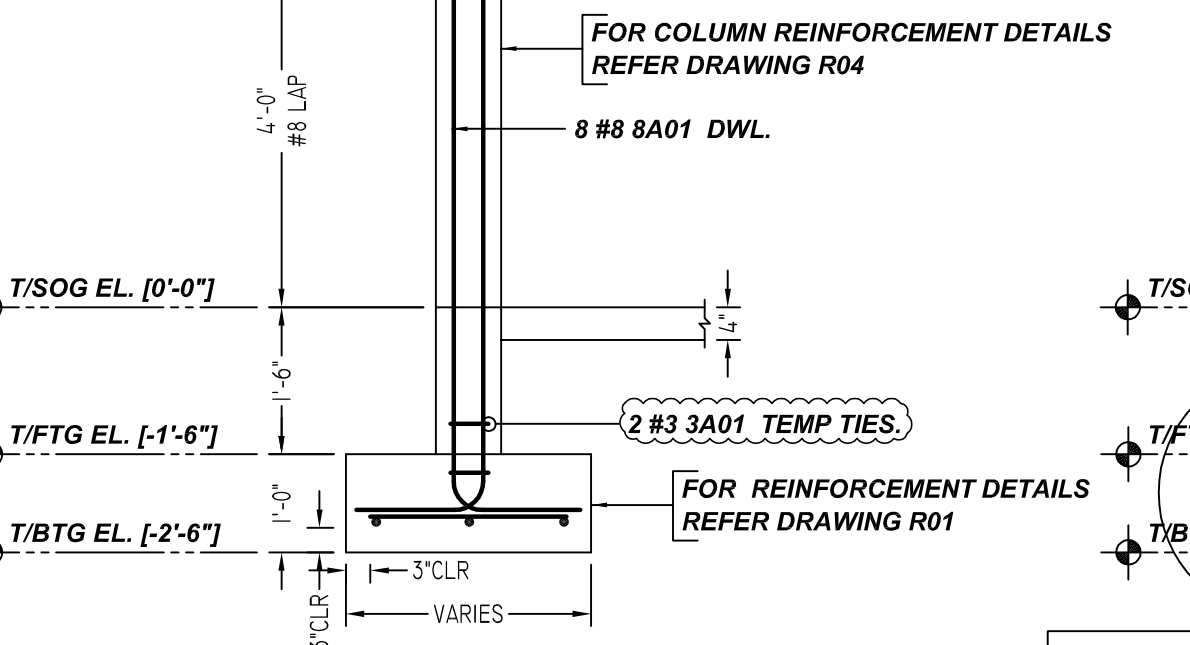
**COLUMN 8**  
SCALE - 1/2"=1'-0"  
REF: S1.0 & S1.2



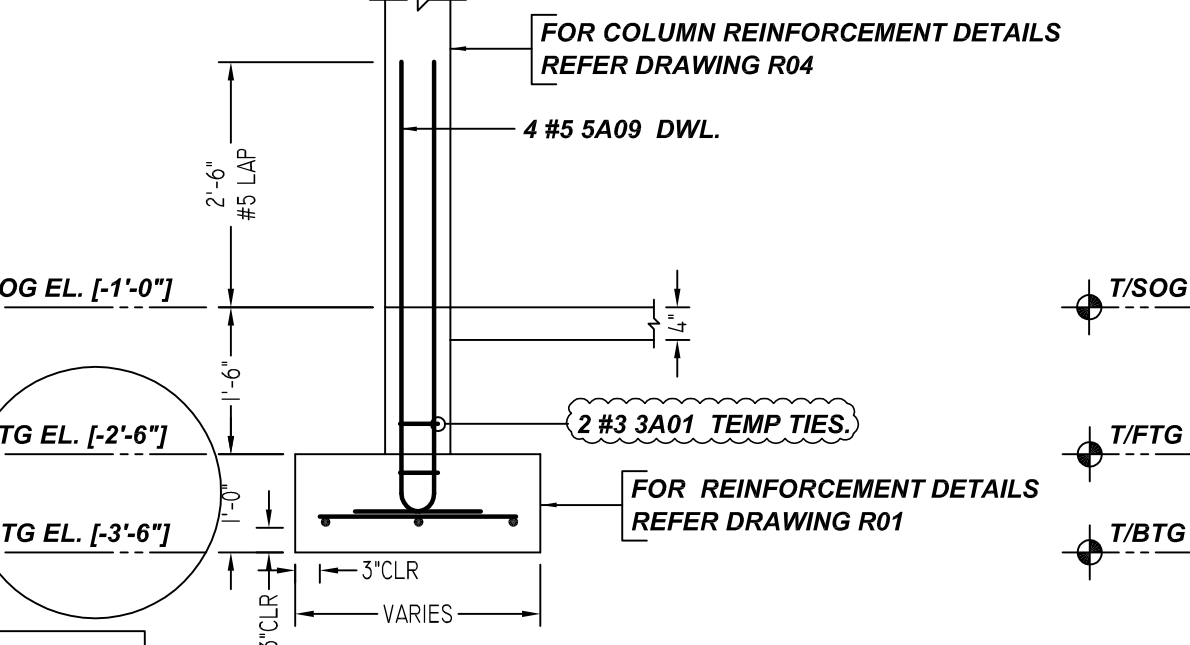
**COLUMN 9**  
SCALE - 1/2"=1'-0"  
REF: S1.0 & S1.2



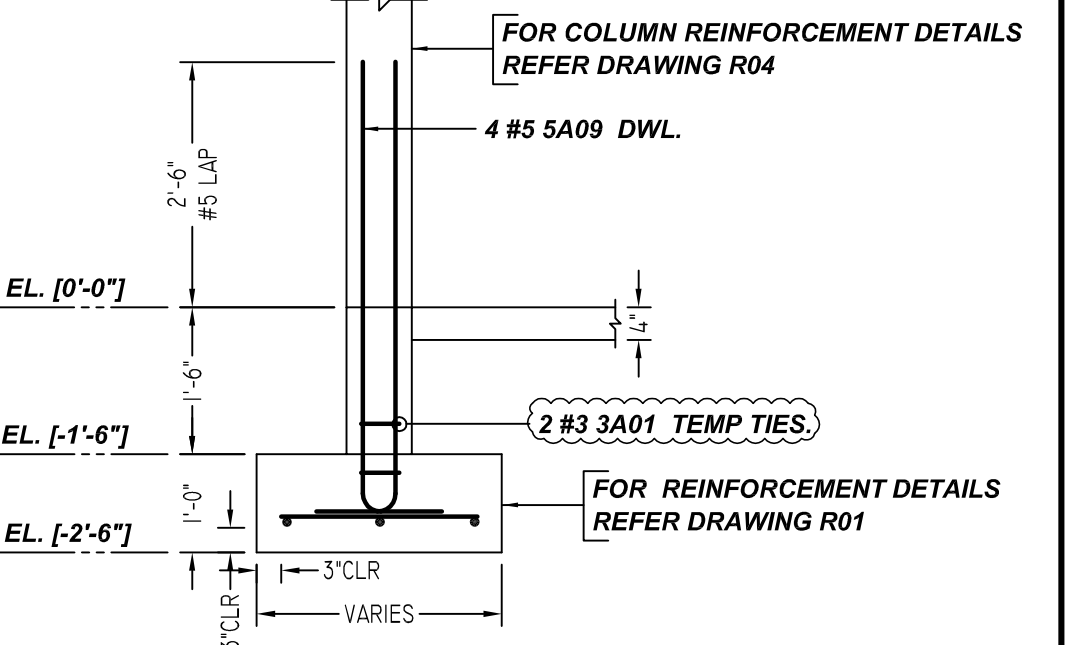
**COLUMN 10**  
SCALE - 1/2"=1'-0"  
REF: S1.0 & S1.2



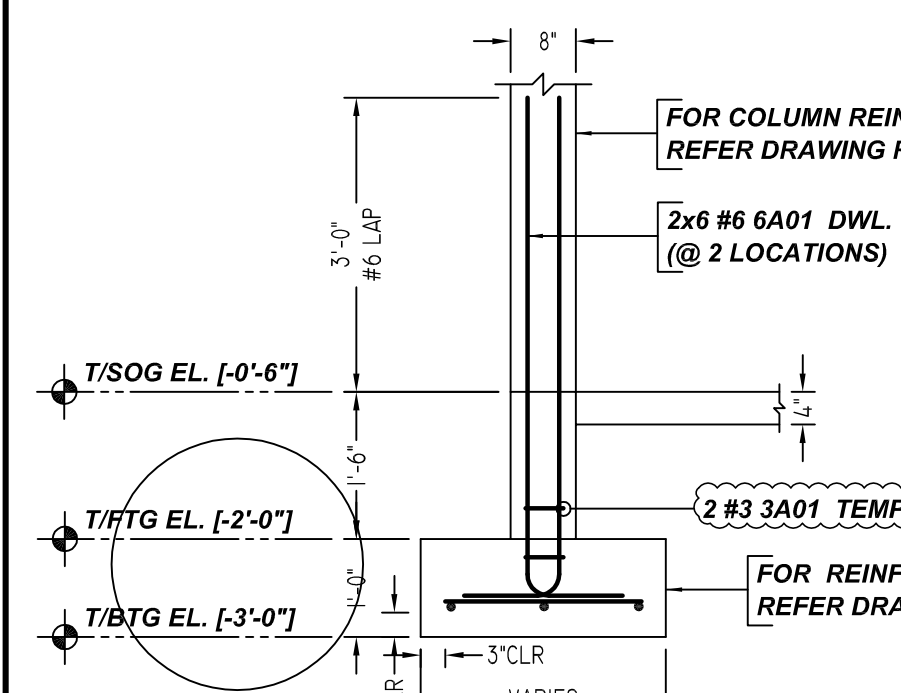
**COLUMN 11**  
SCALE - 1/2"=1'-0"  
REF: S1.0 & S1.2



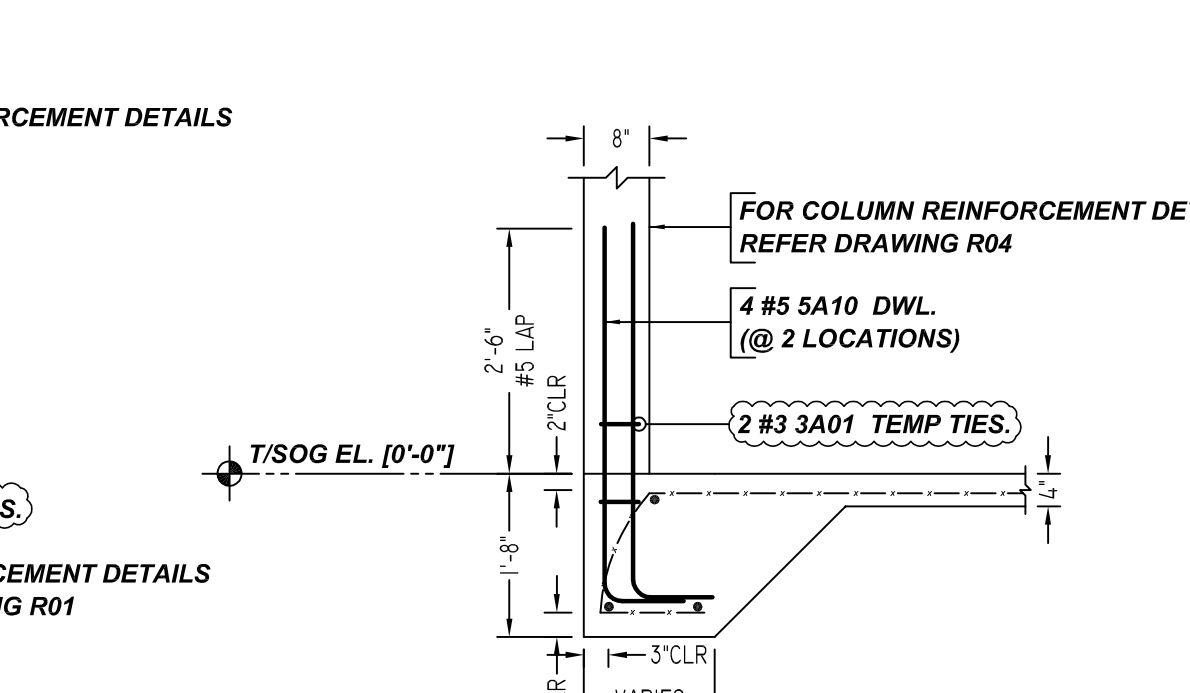
**COLUMN 12**  
SCALE - 1/2"=1'-0"  
REF: S1.0 & S1.2



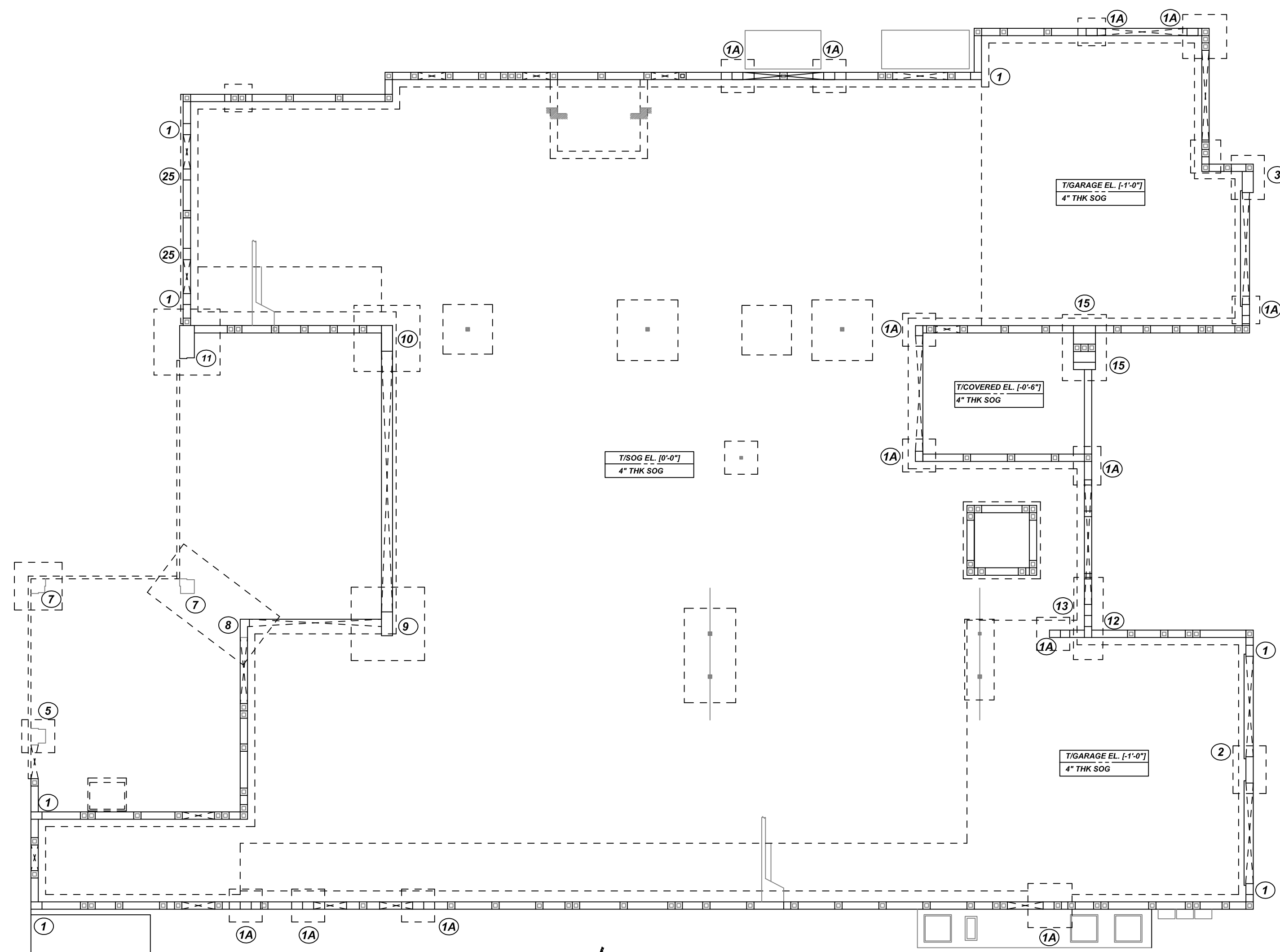
**COLUMN 13**  
SCALE - 1/2"=1'-0"  
REF: S1.0 & S1.2



**COLUMN 15**  
SCALE - 1/2"=1'-0"  
REF: S1.0 & S1.2  
(@ 2 LOCATIONS)



**COLUMN 25**  
SCALE - 1/2"=1'-0"  
REF: S1.0 & S1.2  
(@ 2 LOCATIONS)



KEY PLAN

**LAP SCHEDULE**

SIZE	48 Ø LAP
#3	18"
#4	24"
#5	30"
#6	36"
#7	42"
#8	48"
#9	55"
#10	61"
#11	68"

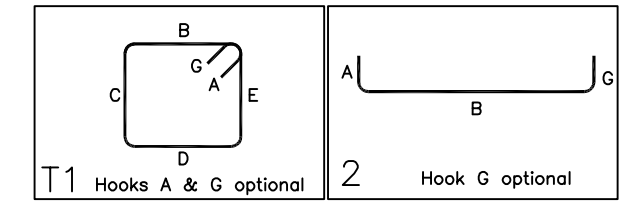
**TYPICAL REINFORCING BAR CLEARANCE TABLE**

LOCATION	MIN. COVER
FOOTING BOTTOM	3" CLR
FOOTING TOP	2" CLR
COLUMN TIES	1 1/2" CLR

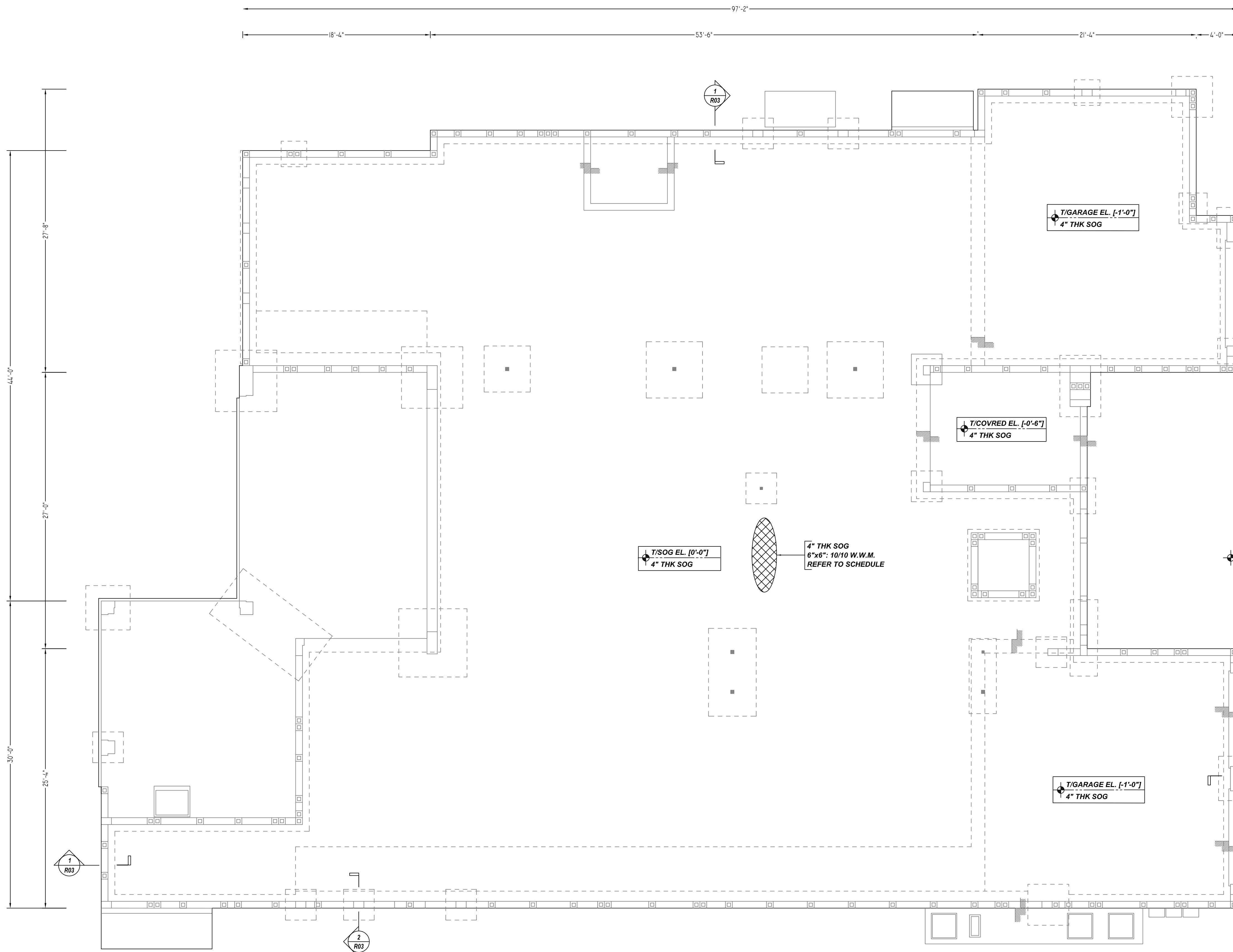
**ALL BARS IN THIS DRAWING  
ASTM A615 GRADE 60  
BLACK UNCOATED**

Release Number: 002

Bar Mark	Qty	Size	Total Length	Type	X	Y	Z	W	V	U	T	S	R	Q	P	O	N	M	L	K	J	I	H	G	F	E	D	C	B	A
3A01	22	#3	2'-4 1/2"	11	0'-4 1/2"	0'-5"	0'-5"	0'-5"	0'-5"	0'-5"	0'-5"	0'-5"	0'-5"	0'-5"	0'-5"	0'-5"	0'-5"	0'-5"	0'-5"	0'-5"	0'-5"	0'-5"	0'-5"	0'-5"	0'-5"	0'-5"	0'-5"	0'-5"	0'-5"	0'-5"
5A09	60	#5	5'-5 1/2"	2	0'-10"	4'-7 1/2"																								
5A10	38	#5	4'-8"	2	0'-10"	3'-10"																								
6A01	36	#6	6'-1 1/2"	2	1'-0"	5'-1 1/2"																								
7A01	18	#7	6'-1 1/2"	2	1'-0"	5'-7 1/2"																								
8A01	8	#8	7'-5 1/2"	2	1'-4"	6'-1 1/2"																								



GRADE	60 A615	PRINT RECORD	
PREFIX		NO.	TO FOR DATE
BAR LIST NOS.			
MK	REVISION	DATE	
0	FOR APPROVAL	10/11/21	
COLUMN DOWELS REINFORCEMENT DETAILS			
CUSTOMER	STUBER CONSTRUCTION		
JOB	SHINN PLANS		
LOCATION	DELRAY BEACH, FLORIDA 33445		
DRAWN	DATE	CONTROL CODE	DWG. NO.
SRN/MET	10/11/2021	-	R02



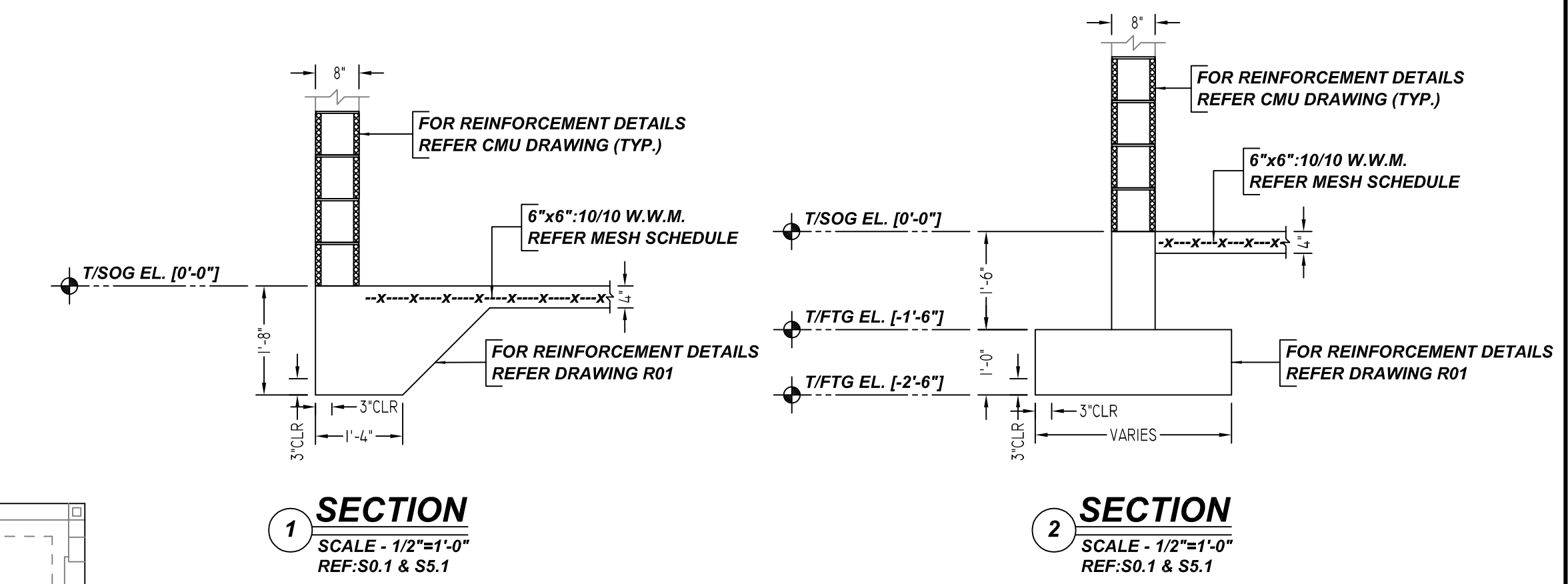
LAP SCHEDULE		
SIZE	3000 PSI	
	TOP	OTHERS
#3	28"	22"
#4	37"	29"
#5	47"	36"
#6	56"	43"
#7	81"	63"
#8	93"	72"
#9	105"	81"
#10	118"	91"
#11	131"	101"

TYPICAL REINFORCING BAR CLEARANCE TABLE	
LOCATION	MIN. COVER
SLAB EDGE	2" CLR

**ALL BARS IN THIS DRAWING  
ASTM A615 GRADE 60  
BLACK UNCOATED**

MESH DETAILS					
S. NO	ELEMENT	MESH SIZE	SHEETS	AREA	REMARK
1	4" THK SLAB ON GRADE	6"x6" : 10/10 W.W.M	72	7512 SQ.FT	8'-0" X 15'-0" SHEET SIZE (15% LAP ADDED)

ACCESSORIES DETAILS					
S. NO	ELEMENT	DESCRIPTION	PCS	LFT	REMARK
1	4" THK SOG	2" HT SB @ 4'-0" C/C	-	1883	FOR MESH SUPPORT (@ BOTTOM)



**SLAB ON GRADE REINFORCEMENT DETAILS**  
SCALE - 1/8"=1'-0"  
REF: S0.1 & S5.1

GRADE	60 A615				
PREFIX					
BAR LIST NOS.		PRINT RECORD			
		NO.	TO	FOR	DATE
MK	REVISION	DATE			
0	FOR APPROVAL	10/11/21			
SLAB ON GRADE REINFORCEMENT DETAILS					
CUSTOMER STUBER CONSTRUCTION					
JOB SHINN PLANS					
LOCATION DELRAY BEACH, FLORIDA 33445					
DRAWN	DATE	CONTROL CODE	DWG. NO.		
SRN/MET	10/11/2021	-	R03		