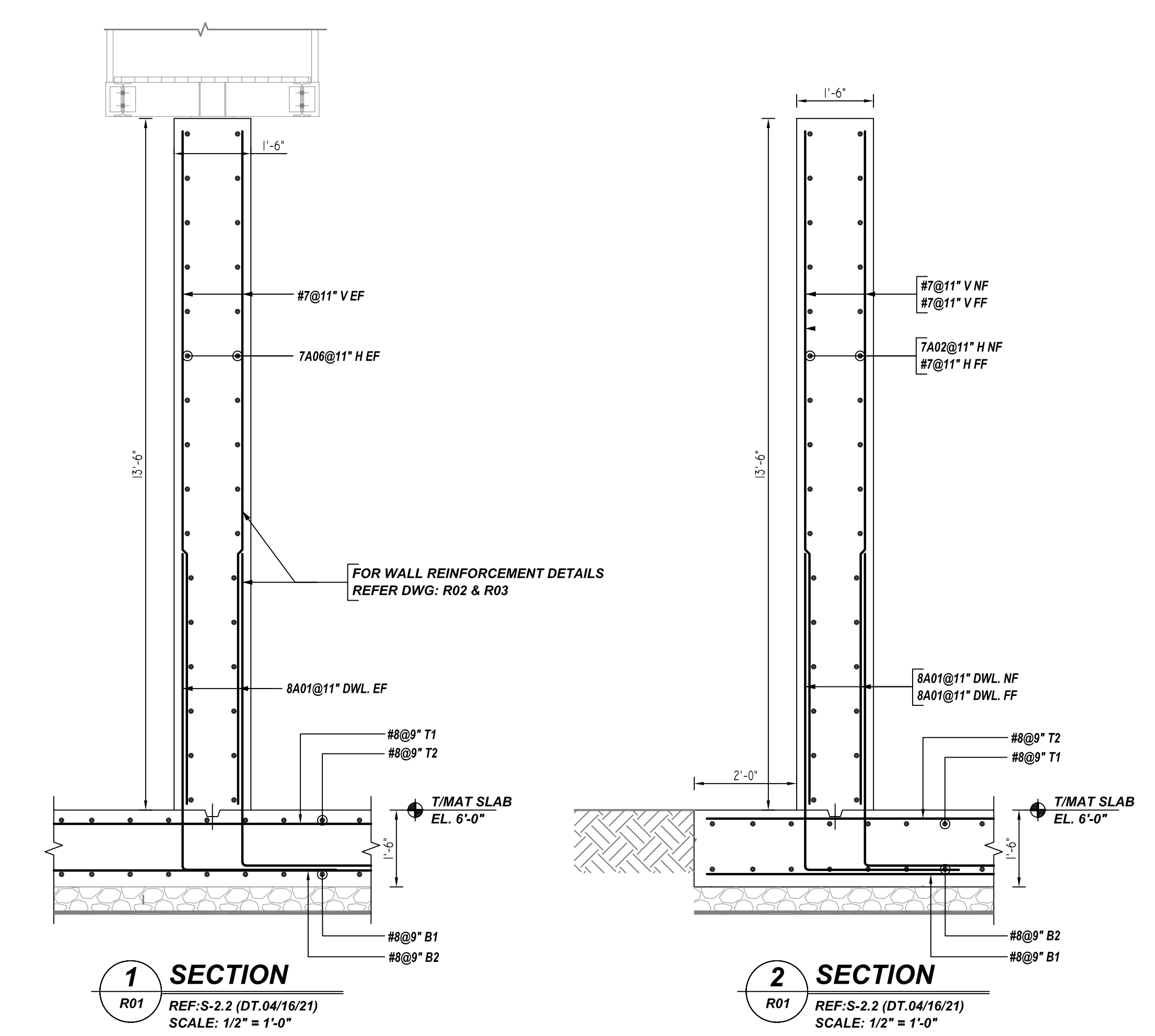
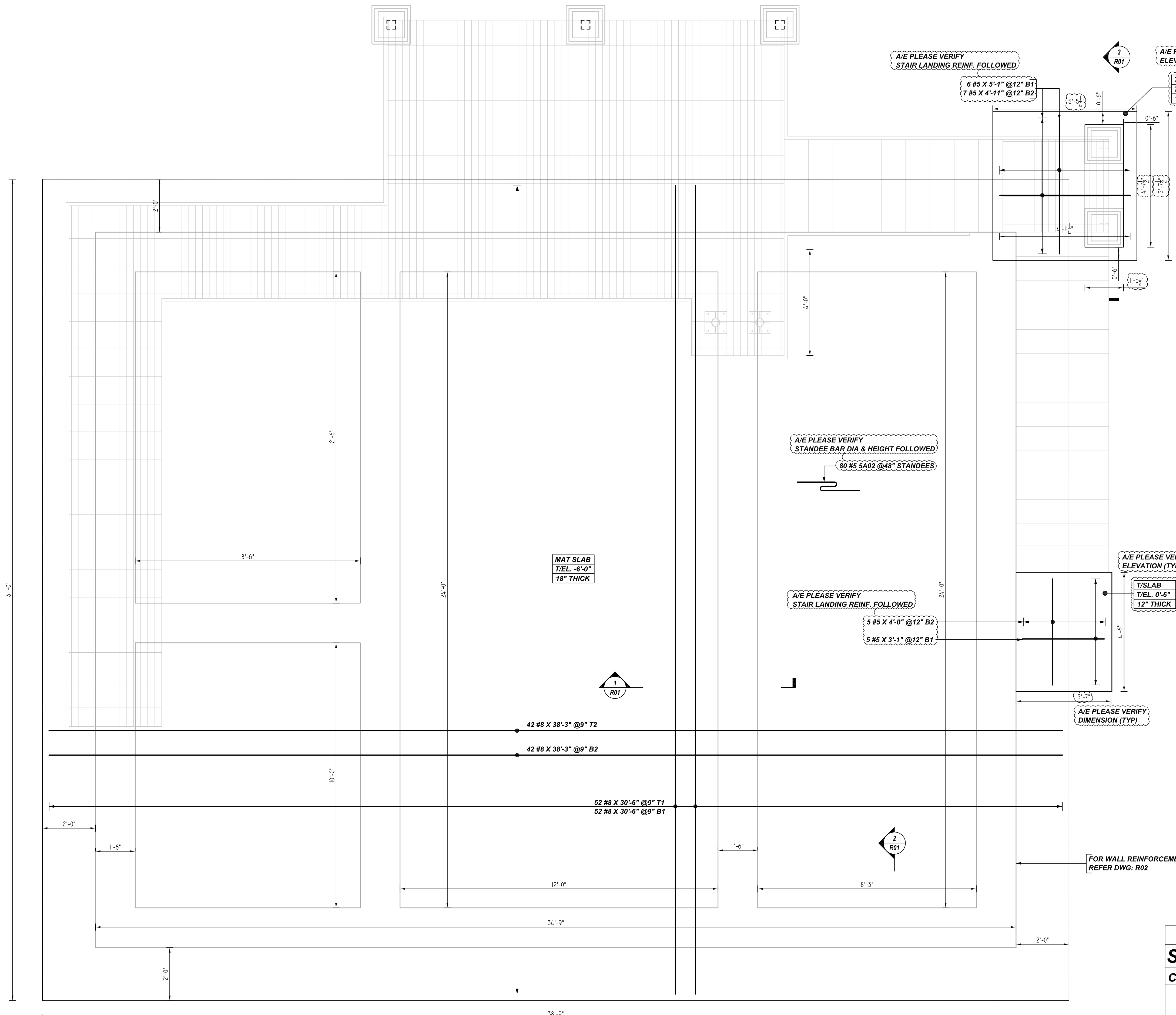


NOTICE

SHORTAGES, IMPROPER FABRICATION OR CLAIMS FOR ANY OTHER REASON MUST BE REPORTED TO THIS COMPANY WITHIN 10 DAYS FROM ORIGINAL DELIVERY. THIS COMPANY ALSO RESERVES THE RIGHT TO FIELD INSPECT MATERIALS PRIOR TO REPLACEMENT OR RECONDITIONING OF MATERIALS AND WILL NOT BE LIABLE FOR CHARGES FROM WORK DONE IN THE FIELD WITHOUT PRIOR AUTHORIZATION FROM THIS COMPANY.

REINFORCING STEEL PLACING DRAWING ONLY. USE IN CONJUNCTION WITH CONTRACT DRAWINGS & SPECIFICATIONS. ELEVATIONS & DIMENSIONS SHOWN ON DRAWING ARE FOR DETAILING PURPOSES ONLY AND SHOULD NOT BE USED FOR CONSTRUCTION UNLESS VERIFIED BY ENGINEER OR CONTRACTOR.



1 SECTION
R01 REF: S-2.2 (DT.04/16/21)
SCALE: 1/2" = 1'-0"

2 SECTION
R01 REF: S-2.2 (DT.04/16/21)
SCALE: 1/2" = 1'-0"

3 SECTION
R01 REF: S-2.3 (DT.04/16/21)
SCALE: 1/2" = 1'-0"

TYPICAL REINFORCING BAR CLEARANCE TABLE

| LOCATION | MIN. COVER |
|---------------|------------|
| SIDE & BOTTOM | 3" CLR |
| TOP | 2" CLR |

**ALL BARS IN THIS DRAWING
ASTM A615 GRADE 60
BLACK UNCOATED**

LAP SCHEDULE

4000 PSI (CLASS-B) CASE - 1
Per ACI:318 (12.2.2)

| BAR# | LENGTHS | |
|------|---------|--------|
| | TOP | OTHERS |
| #3 | 2'-0" | 1'-7" |
| #4 | 2'-8" | 2'-1" |
| #5 | 3'-4" | 2'-7" |
| #6 | 4'-0" | 3'-1" |
| #7 | 5'-10" | 4'-6" |
| #8 | 6'-8" | 5'-2" |
| #9 | 7'-7" | 5'-10" |
| #10 | 8'-6" | 6'-7" |
| #11 | 9'-5" | 7'-3" |

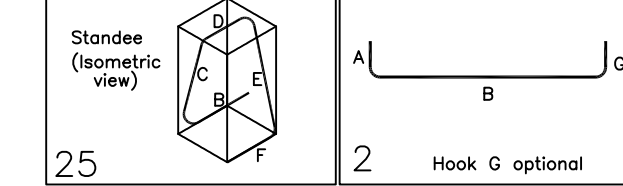
ALL TOP BARS ARE DEFINED AS HORIZ BARS WITH MORE THAN 12" OF CONCRETE BELOW BARS.

WWTP HEADWORKS MAT SLAB REINFORCEMENT DETAILS

REF: S-2.1 (DT.04/16/21)
SCALE: 1/2" = 1'-0"

Release Number: R01

| Bar Mark | Qty | Size | Total Length | Type | X' | Y' | Z' | X' | Y' | Z' | X' | Y' | Z' | X' | Y' | Z' |
|----------|-----|------|--------------|------|--------|------------|-------|------------|-------|------------|-----------|----|----|----|----|----|
| 4A01 | 4 | #4 | 5'-7 1/2" | 25 | 1'-6" | 0'-11 1/2" | 0'-8" | 0'-11 1/2" | 1'-6" | 0'-11 1/2" | 0'-5 1/2" | | | | | |
| 5A01 | 14 | #5 | 2'-10" | 2 | 0'-10" | 2'-0" | | | | | | | | | | |
| 5A02 | 80 | #5 | 5'-2" | 25 | 1'-6" | 0'-9" | 0'-8" | 0'-9" | 1'-6" | 0'-9" | 0'-4 1/2" | | | | | |



REBAR GRADE 60 ASTM A-615

| SPLICES USED | | ABBREVIATIONS | | BAR MARK SIZE EQUIVALENT | |
|------------------------------|------------|---------------|------------------|--------------------------|-----|
| CLASS B 4,000 psi UNO | | ADD. | = Additional | #3 | #10 |
| TOP BARS | OTHER BARS | B.O.W. | = Bottom of wall | #4 | #13 |
| #3 24" | #3 19" | C.B. | = Corner Bars | #5 | #16 |
| #4 32" | #4 25" | DIAG. | = Diagonal | #6 | #19 |
| #5 40" | #5 31" | D.O. | = Door Opening | #7 | #22 |
| #6 48" | #6 37" | DWLS. | = Dowels | #8 | #25 |
| #7 70" | #7 54" | E.F. | = Each Face | #9 | #29 |
| #8 80" | #8 62" | E.S. | = Each Side | #10 | #32 |
| #9 91" | #9 70" | E.W. | = Each Way | #11 | #36 |
| #10 102" | #10 79" | FTG. | = Footing | | |
| #11 113" | #11 87" | F.F. | = Far Face | | |
| #14 | #14 | HORIZ. | = Horizontal | | |
| | | I.F. | = Inside Face | | |
| | | INTERS. | = Intersection | | |
| | | L.W. | = Long Way | | |
| | | N.F. | = Near Face | | |
| | | O.F. | = Outside Face | | |
| | | S.W. | = Short Way | | |
| | | T&B | = Top & Bottom | | |
| | | T.O.W. | = Top of Wall | | |
| | | Trans. | = Transverse | | |
| | | VERT. | = Vertical | | |

**INLET VIEW CAMPGROUND WWTP
WWTP HEADWORKS MAT SLAB REINFORCEMENT DETAILS
TOWN OF CHINCOTEAGUE, VIRGINIA**

CUSTOMER: -
DESIGNER: -

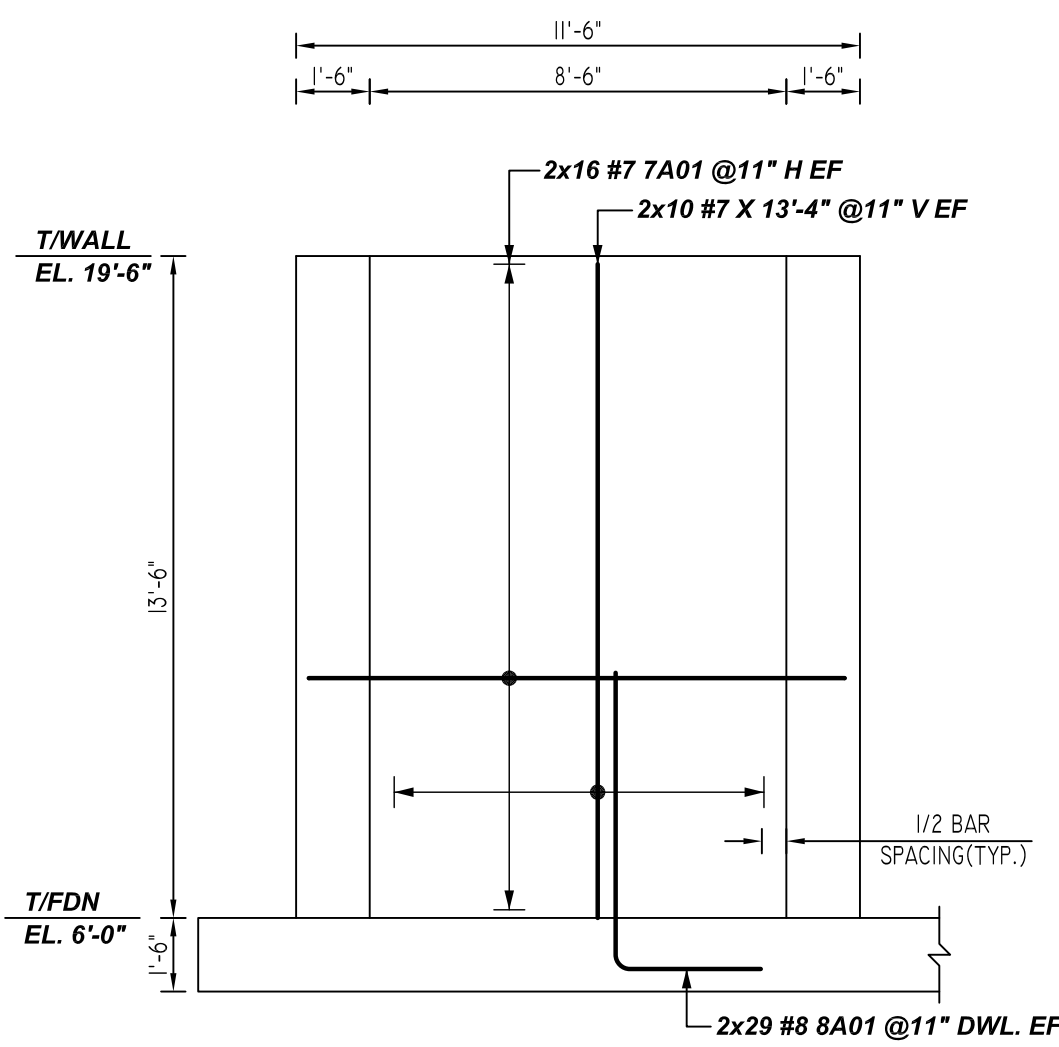
| REV NO | DATE | APPROVAL | SENT FOR | REV NO | DATE | SENT FOR |
|--------|----------|----------|----------|--------|------|----------|
| 0 | 08.03.22 | APPROVAL | | | | |

| DRAWN BY | DATE | JOB NO | SHEET NO. |
|----------|----------|--------|-----------|
| JSN/MET | 08.03.22 | - | R01 |

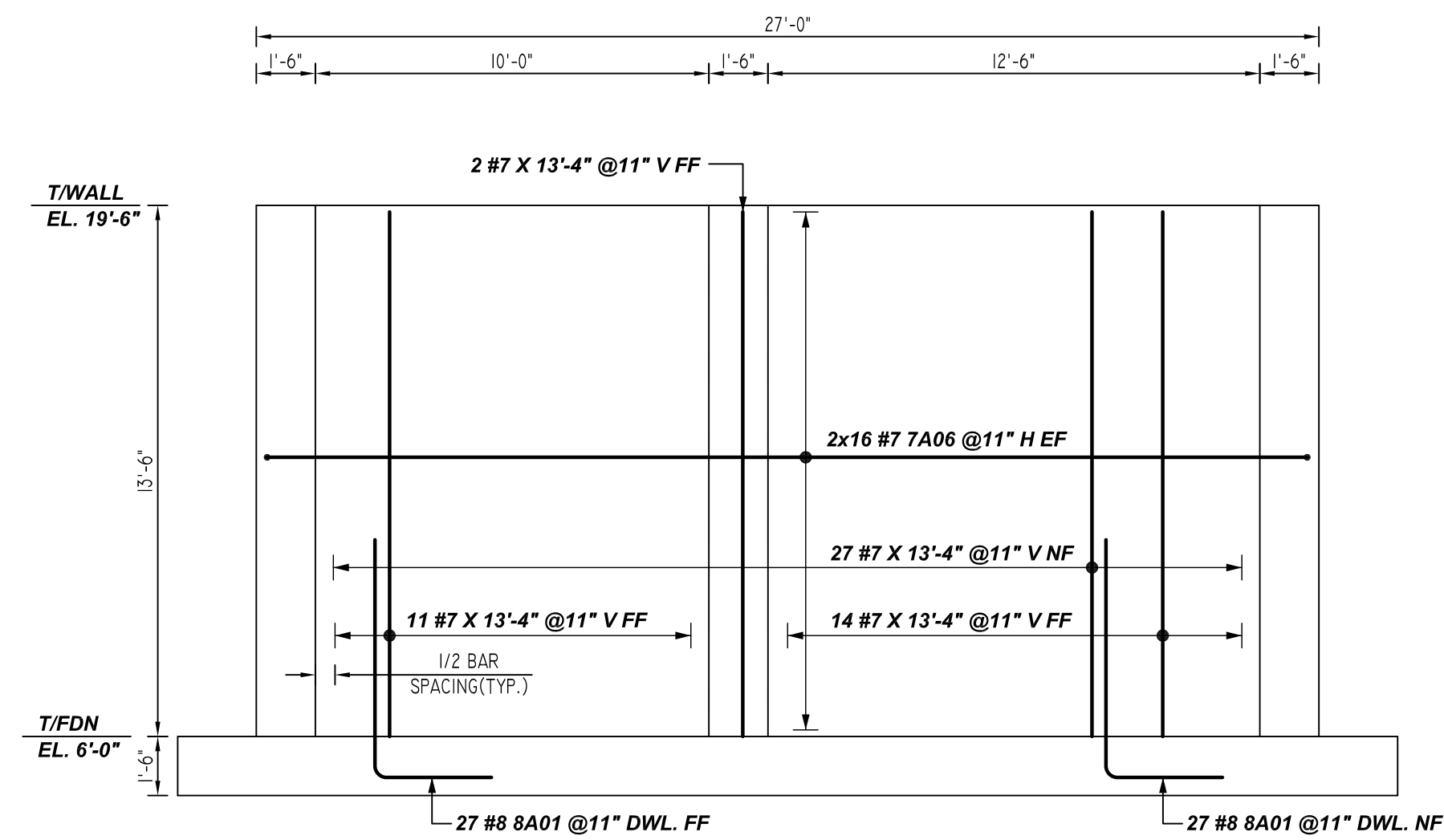
NOTICE

SHORTAGES, IMPROPER FABRICATION OR CLAIMS FOR ANY OTHER REASON MUST BE REPORTED TO THIS COMPANY WITHIN 10 DAYS FROM ORIGINAL DELIVERY. THIS COMPANY ALSO RESERVES THE RIGHT TO FIELD INSPECT MATERIALS PRIOR TO REPLACEMENT OR RECONDITIONING OF MATERIALS AND WILL NOT BE LIABLE FOR CHARGES FROM WORK DONE IN THE FIELD WITHOUT PRIOR AUTHORIZATION FROM THIS COMPANY.

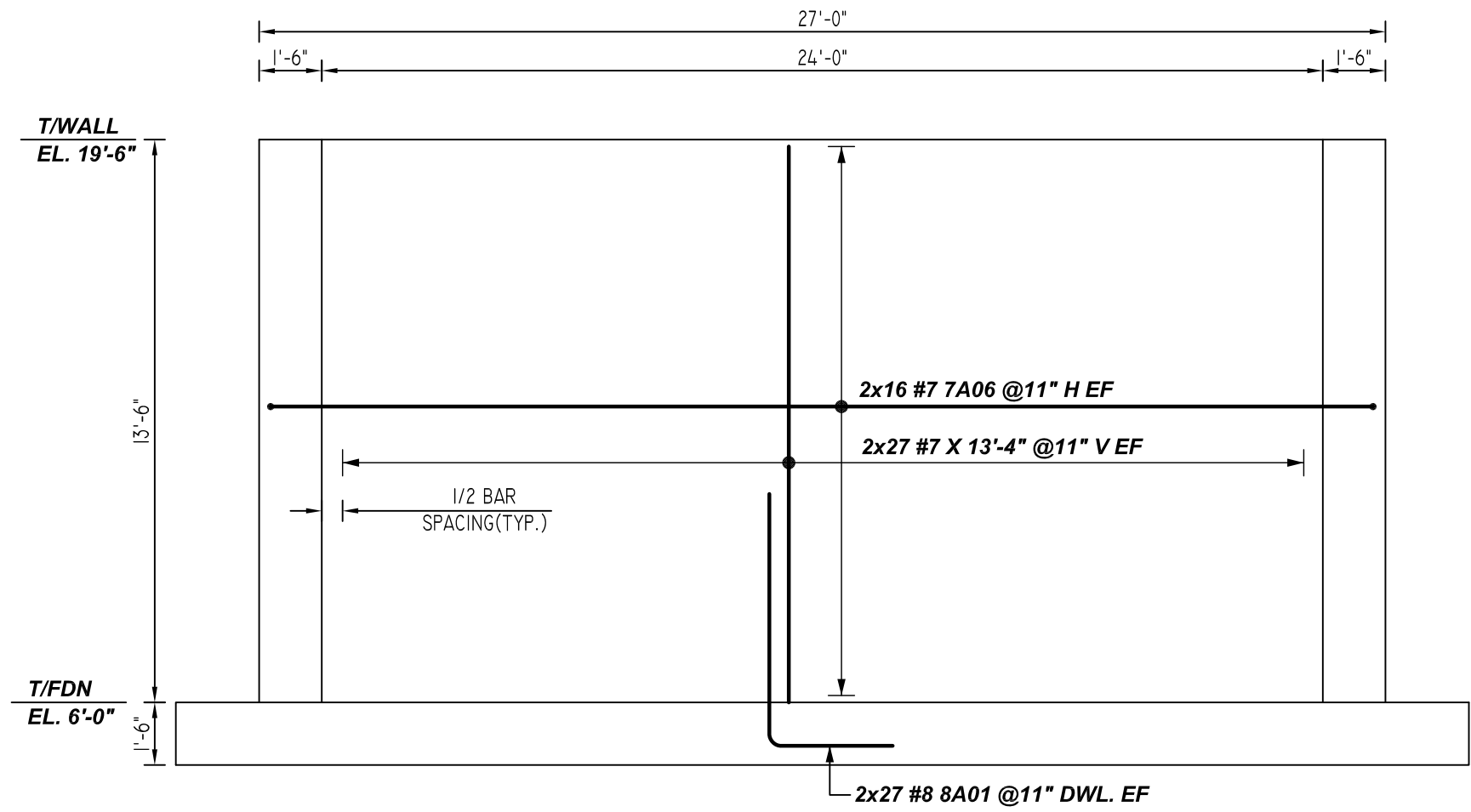
REINFORCING STEEL PLACING DRAWING ONLY. USE IN CONJUNCTION WITH CONTRACT DRAWINGS & SPECIFICATIONS. ELEVATIONS & DIMENSIONS SHOWN ON DRAWING ARE FOR DETAILING PURPOSES ONLY AND SHOULD NOT BE USED FOR CONSTRUCTION UNLESS VERIFIED BY ENGINEER OR CONTRACTOR.



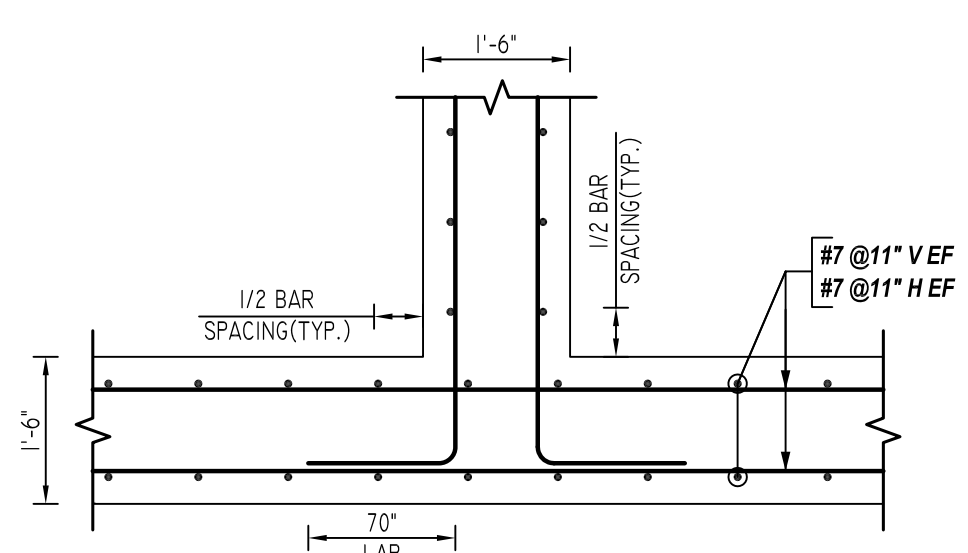
E ELEVATION
REF: S-2.2 (DT.07/08/21)
SCALE: 1/4" = 1'-0"



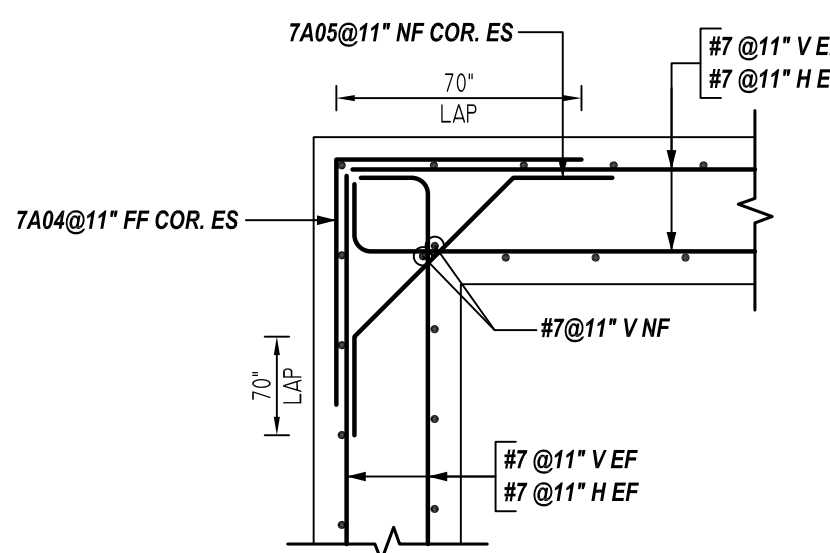
F ELEVATION
REF: S-2.2 (DT.07/08/21)
SCALE: 1/4" = 1'-0"



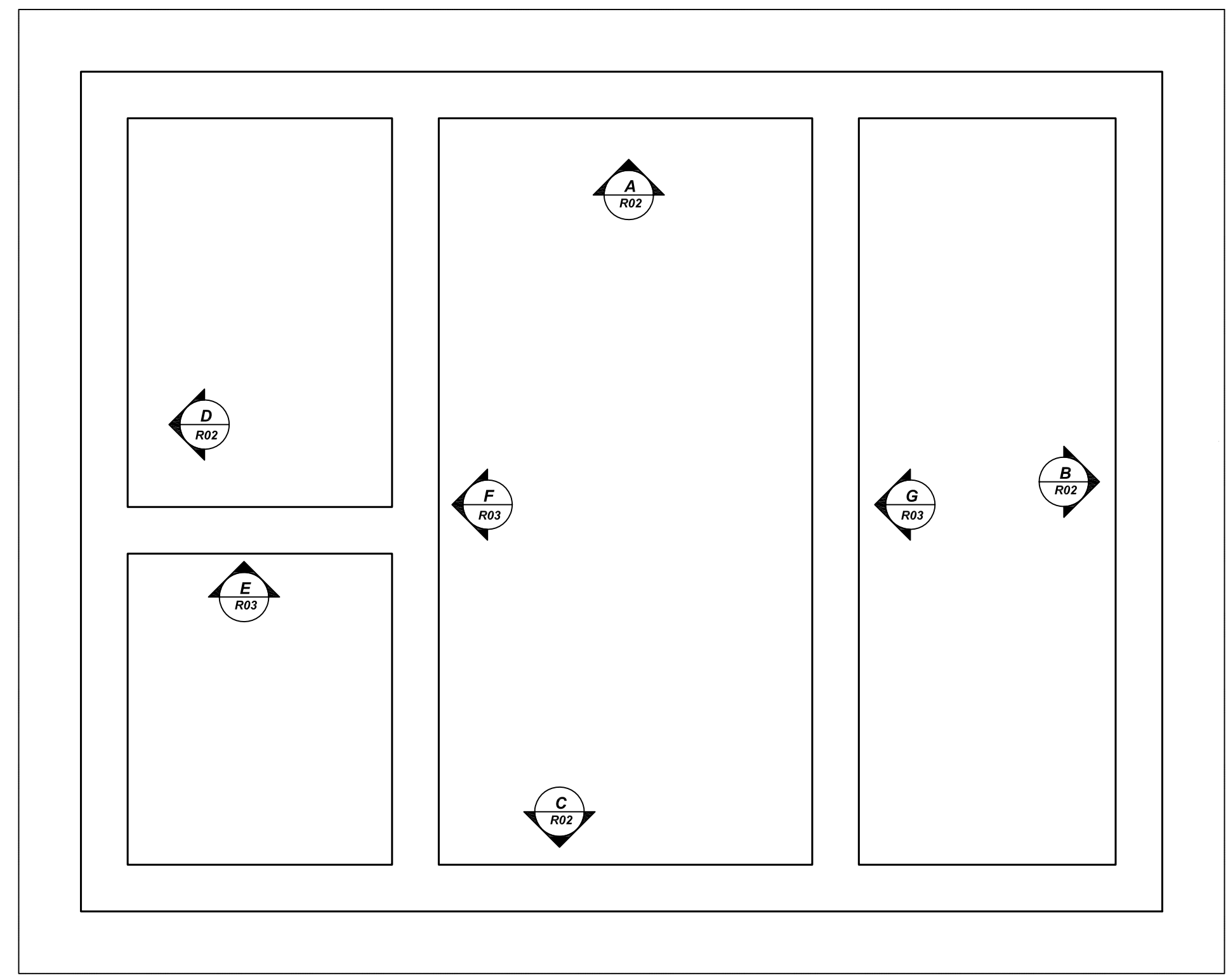
G ELEVATION
REF: S-2.2 (DT.07/08/21)
SCALE: 1/4" = 1'-0"



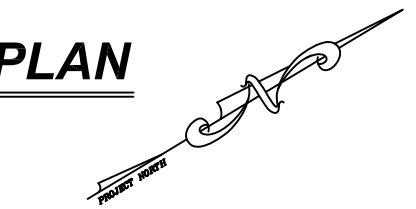
TYPICAL WALL INTERSECTION DETAIL
REF: S-2.3 (DT.07/08/21)
SCALE: 1/2" = 1'-0"



TYPICAL WALL CORNER DETAIL
REF: S-2.3 (DT.07/08/21)
SCALE: 1/2" = 1'-0"



WWTP HEADWORKS KEYPLAN
REF: S-2.1 (DT.07/08/21)
SCALE: 1/4" = 1'-0"



LAP SCHEDULE

4000 PSI (CLASS-B) CASE - 1
Per ACI :318 (12.2.2)

| BAR# | LENGTHS | |
|------|---------|--------|
| | TOP | OTHERS |
| #3 | 2'-0" | 1'-7" |
| #4 | 2'-8" | 2'-1" |
| #5 | 3'-4" | 2'-7" |
| #6 | 4'-0" | 3'-1" |
| #7 | 5'-10" | 4'-6" |
| #8 | 6'-8" | 5'-2" |
| #9 | 7'-7" | 5'-10" |
| #10 | 8'-6" | 6'-7" |
| #11 | 9'-5" | 7'-3" |

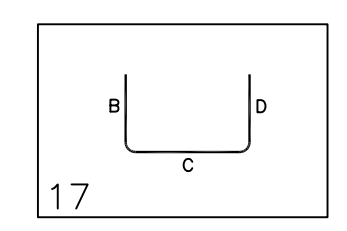
ALL TOP BARS ARE DEFINED AS HORIZ BARS WITH MORE THAN 12" OF CONCRETE BELOW BARS.

TYPICAL REINFORCING BAR CLEARANCE TABLE

| LOCATION | MIN. COVER |
|-------------------|------------|
| WALL ALL SIDES | 2" CLR |
| FOOTING ALL SIDES | 3" CLR |

Release Number: R03

| Bar Mark | Qty | Size | Total Length | Type | X | Y | Z | W | V | U | T | S | R | Q | P | O | N | M | L | K | J | I | H | G | F | E | D | C | B | A | | |
|----------|-----|------|--------------|------|---|---|---|---|---|---|---|---|---|---|---|---|---|---|---|---|---|---|---|---|---|---|---|---|---|---|--|--|
| 7A01 | 32 | #7 | 22'-5" | 17 | | | | | | | | | | | | | | | | | | | | | | | | | | | | |
| 7A06 | 64 | #7 | 35'-2" | 17 | | | | | | | | | | | | | | | | | | | | | | | | | | | | |
| 8A01 | 168 | #8 | 9'-1" | 17 | | | | | | | | | | | | | | | | | | | | | | | | | | | | |



REBAR GRADE 60 ASTM A-615

| SPLICES USED | | ABBREVIATIONS | | BAR MARK SIZE EQUIVALENT | |
|-----------------------|------------|---------------|------------------|--------------------------|-------------|
| CLASS B 4,000 psi UNO | | | | Imperial | Soft Metric |
| TOP BARS | OTHER BARS | ADD. | = Additional | #3 | #10 |
| #3 24" | #3 19" | B.O.W. | = Bottom of wall | #4 | #13 |
| #4 32" | #4 25" | C.B. | = Corner Bars | #5 | #16 |
| #5 40" | #5 31" | DIAG. | = Diagonal | #6 | #19 |
| #6 48" | #6 37" | D.O. | = Door Opening | #7 | #22 |
| #7 70" | #7 54" | DWLS. | = Dowels | #8 | #25 |
| #8 80" | #8 62" | E.F. | = Each Face | #9 | #29 |
| #9 91" | #9 70" | E.S. | = Each Side | #10 | #32 |
| #10 102" | #10 79" | E.W. | = Each Way | #11 | #36 |
| #11 113" | #11 87" | FTG. | = Footing | | |
| #14 | | F.F. | = Far Face | | |
| | | HORIZ. | = Horizontal | | |
| | | I.F. | = Inside Face | | |
| | | INTERS. | = Intersection | | |
| | | L.W. | = long Way | | |
| | | N.F. | = Near Face | | |
| | | O.F. | = Outside Face | | |
| | | S.W. | = Short Way | | |
| | | T&B | = Top & Bottom | | |
| | | T.O.W. | = Top of Wall | | |
| | | Trans. | = Transverse | | |
| | | VERT. | = Vertical | | |

INLET VIEW CAMPGROUND WWTP
WWTP HEADWORKS WALL REINFORCEMENT DETAILS
TOWN OF CHINCOTEAGUE, VIRGINIA

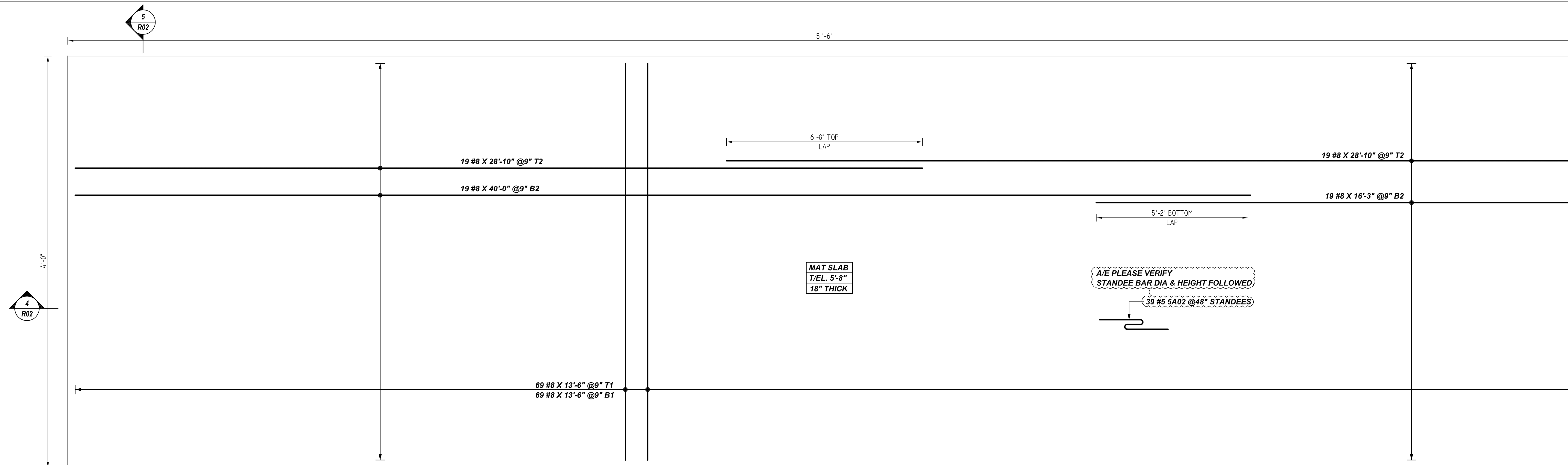
CUSTOMER: -
DESIGNER: -

| REV NO | DATE | SENT FOR | REV NO | DATE | SENT FOR | DRAWN BY | DATE | JOB NO | SHEET NO. |
|--------|----------|----------|--------|------|----------|----------|----------|--------|-----------|
| 0 | 08.03.22 | APPROVAL | | | | JSN/MET | 08.03.22 | - | R03 |

NOTICE

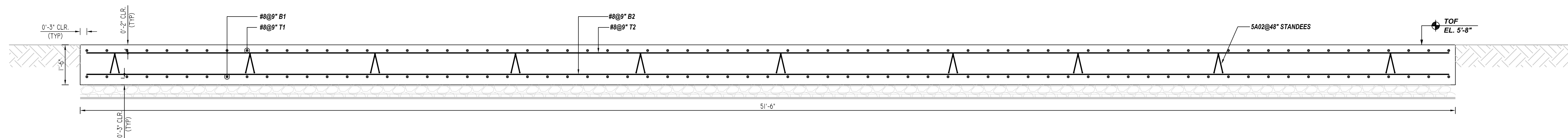
SHORTAGES, IMPROPER FABRICATION OR CLAIMS FOR ANY OTHER REASON MUST BE REPORTED TO THIS COMPANY WITHIN 10 DAYS FROM ORIGINAL DELIVERY. THIS COMPANY ALSO RESERVES THE RIGHT TO FIELD INSPECT MATERIALS PRIOR TO REPLACEMENT OR RECONDITIONING OF MATERIALS AND WILL NOT BE LIABLE FOR CHARGES FROM WORK DONE IN THE FIELD WITHOUT PRIOR AUTHORIZATION FROM THIS COMPANY.

REINFORCING STEEL PLACING DRAWING ONLY. USE IN CONJUNCTION WITH CONTRACT DRAWINGS & SPECIFICATIONS. ELEVATIONS & DIMENSIONS SHOWN ON DRAWING ARE FOR DETAILING PURPOSES ONLY AND SHOULD NOT BE USED FOR CONSTRUCTION UNLESS VERIFIED BY ENGINEER OR CONTRACTOR.

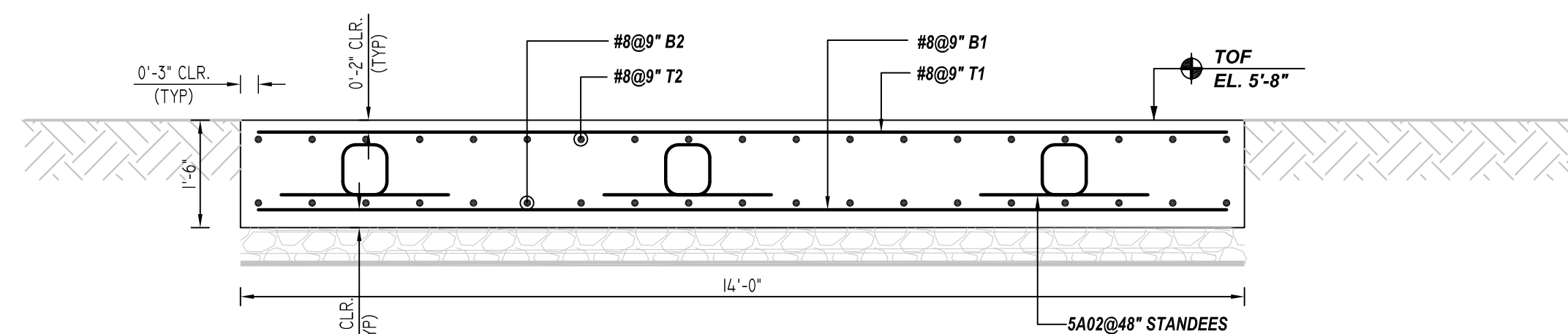


WWTP FOUNDATION REINFORCEMENT DETAILS

REF: S-3.0 (DT.04/16/21)
SCALE: 1/2" = 1'-0"

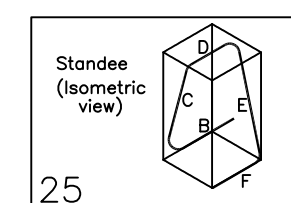


4 SECTION
REF: S-2.2 (DT.04/16/21)
SCALE: 1/2" = 1'-0"



5 SECTION
REF: S-2.2 (DT.04/16/21)
SCALE: 1/2" = 1'-0"

| Bar Mark | Qty | Size | Total Length | Type | X | Y | Z | W | V | U | T | S | R | Q | P | O | N | M | L | K | J | I | H | G | F | E | D | C | B | A | |
|----------|-----|------|--------------|------|---|---|---|---|---|---|---|---|---|---|---|---|---|---|---|---|---|---|---|---|---|---|---|---|---|---|--|
| 5A02 | 39 | #5 | 5'-2" | 25 | | | | | | | | | | | | | | | | | | | | | | | | | | | |



25

LAP SCHEDULE

4000 PSI (CLASS-B) CASE - 1
Per ACI 318 (12.2.2)

| BAR# | LENGTHS | |
|------|---------|--------|
| | TOP | OTHERS |
| #3 | 2'-0" | 1'-7" |
| #4 | 2'-8" | 2'-1" |
| #5 | 3'-4" | 2'-7" |
| #6 | 4'-0" | 3'-1" |
| #7 | 5'-10" | 4'-6" |
| #8 | 6'-8" | 5'-2" |
| #9 | 7'-7" | 5'-10" |
| #10 | 8'-6" | 6'-7" |
| #11 | 9'-5" | 7'-3" |

| TYPICAL REINFORCING BAR CLEARANCE TABLE | |
|---|------------|
| LOCATION | MIN. COVER |
| SIDE & BOTTOM | 3" CLR |
| TOP | 2" CLR |

**ALL BARS IN THIS DRAWING
ASTM A615 GRADE 60
BLACK UNCOATED**

ALL TOP BARS ARE DEFINED AS HORIZ BARS WITH MORE THAN 12" OF CONCRETE BELOW BARS.

REBAR GRADE 60 ASTM A-615

| SPLICES USED | | ABBREVIATIONS | | BAR MARK SIZE EQUIVALENT | |
|-----------------------|------------|---------------|------------------|--------------------------|-------------|
| CLASS B 4,000 psi UNO | | | | Imperial | Soft Metric |
| TOP BARS | OTHER BARS | ADD. | = Additional | #3 | #10 |
| #3 24" | #3 19" | B.O.W. | = Bottom of wall | #4 | #13 |
| #4 32" | #4 25" | C.B. | = Corner Bars | #5 | #16 |
| #5 40" | #5 31" | DIAG. | = Diagonal | #6 | #19 |
| #6 48" | #6 37" | D.O. | = Door Opening | #7 | #22 |
| #7 70" | #7 54" | DWLS. | = Dowels | #8 | #25 |
| #8 80" | #8 62" | E.F. | = Each Face | #9 | #29 |
| #9 91" | #9 70" | E.S. | = Each Side | #10 | #32 |
| #10 102" | #10 79" | E.W. | = Each Way | #11 | #36 |
| #11 113" | #11 87" | FTG. | = Footing | | |
| #14 | #14 | F.F. | = Far Face | | |
| | | HORIZ. | = Horizontal | | |
| | | I.F. | = Inside Face | | |
| | | INTERS. | = Intersection | | |
| | | L.W. | = long Way | | |
| | | N.F. | = Near Face | | |
| | | O.F. | = Outside Face | | |
| | | S.W. | = Short Way | | |
| | | T&B | = Top & Bottom | | |
| | | T.O.W. | = Top of Wall | | |
| | | Trans. | = Transverse | | |
| | | VERT. | = Vertical | | |

INLET VIEW CAMPGROUND WWTP
WWTP FOUNDATION REINFORCEMENT DETAILS
TOWN OF CHINCOTEAGUE, VIRGINIA

| | | | |
|-------------|----------|--------|------------|
| CUSTOMER: - | | | |
| DESIGNER: - | | | |
| DRAWN BY | DATE | JOB NO | SHEET NO. |
| JSN/MET | 08.03.22 | - | R04 |

| | | | | | |
|--------|----------|----------|--------|------|----------|
| REV NO | DATE | SENT FOR | REV NO | DATE | SENT FOR |
| 0 | 08.03.22 | APPROVAL | | | |