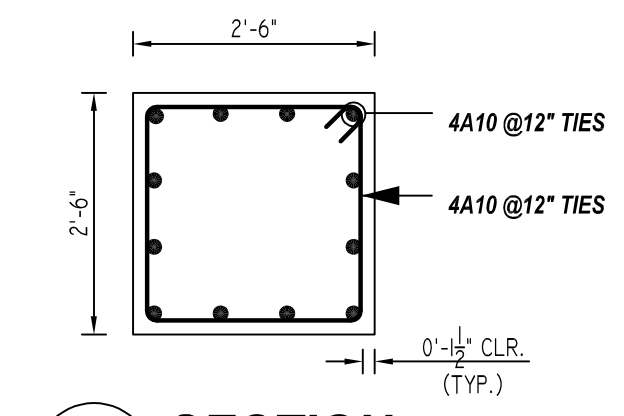
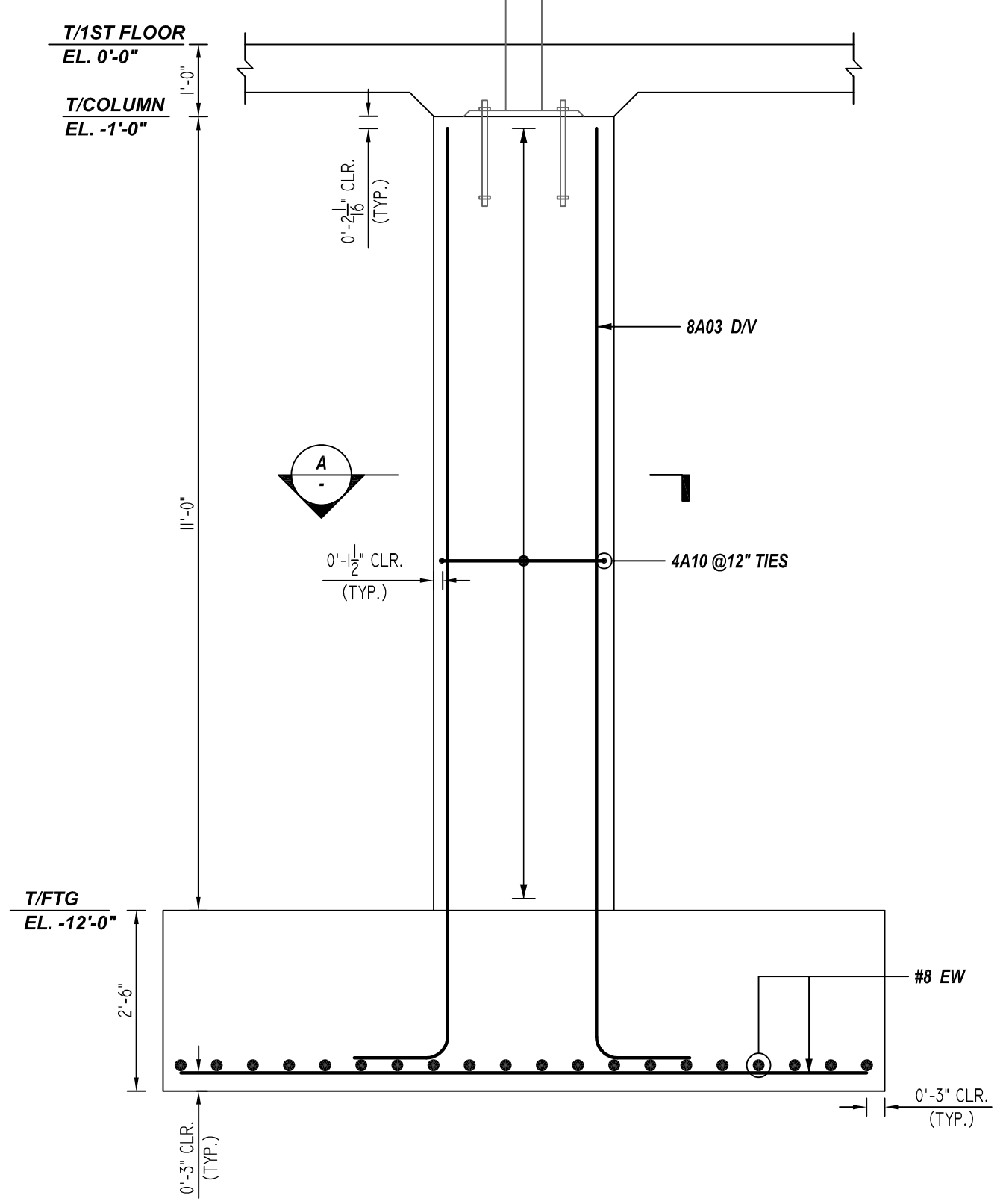


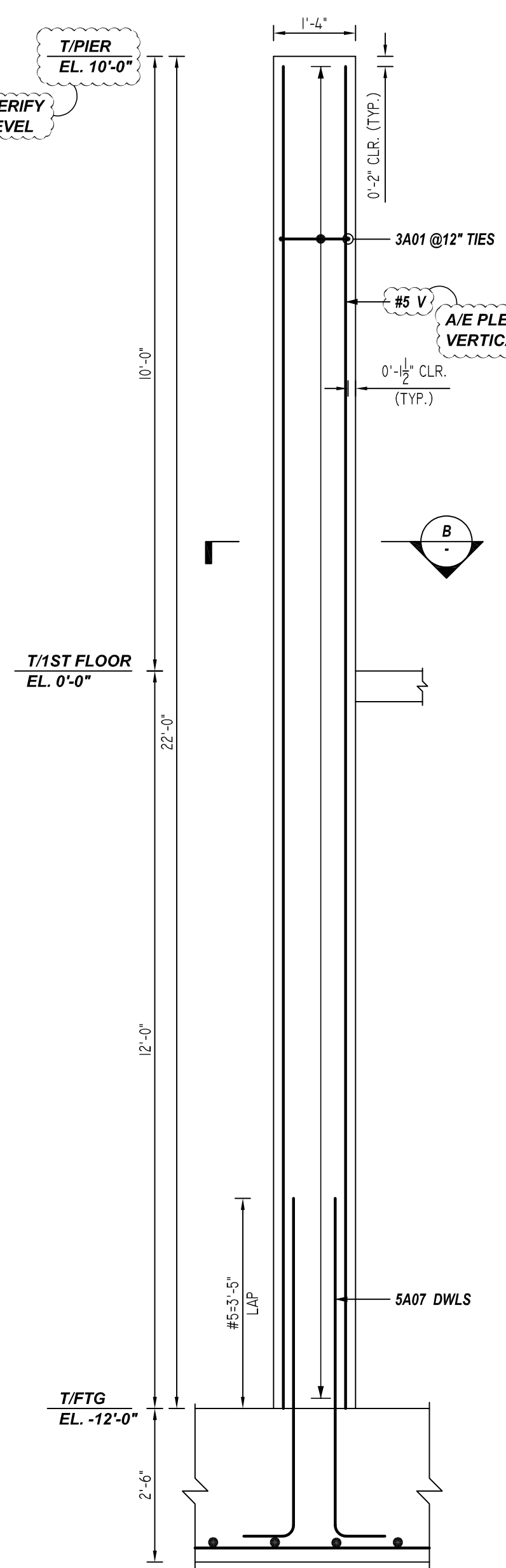
B SECTION
REF:FO-100 & S-500
SCALE: 1/2" = 1'-0"



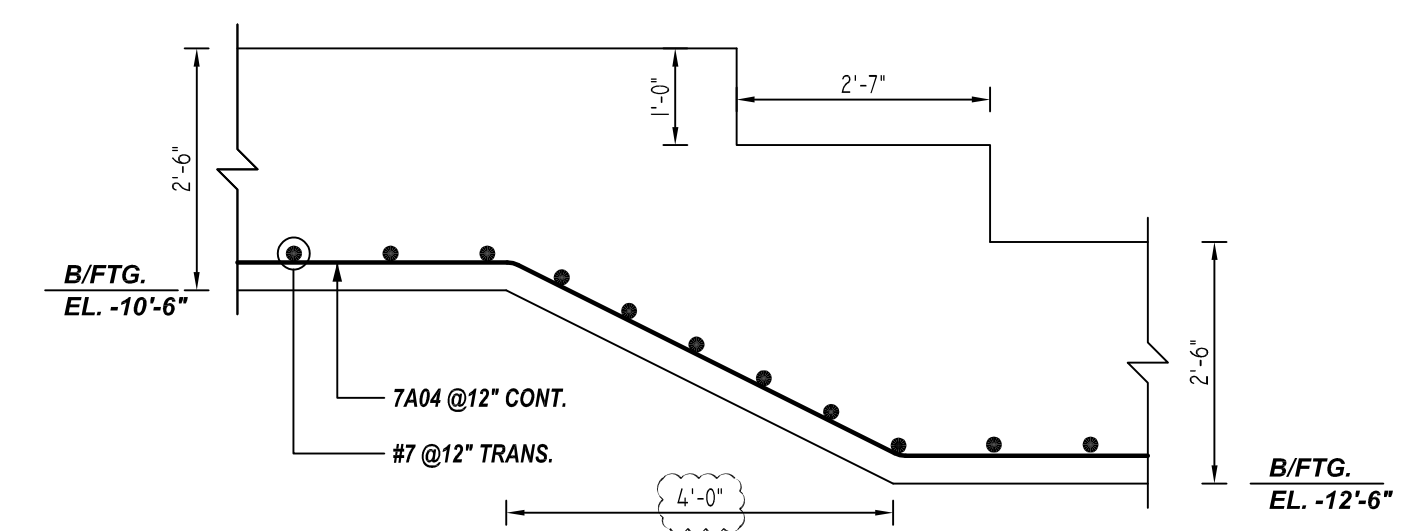
A SECTION
REF:FO-100 & S-500
SCALE: 1/4" = 1'-0"
(@3 LOCATIONS)



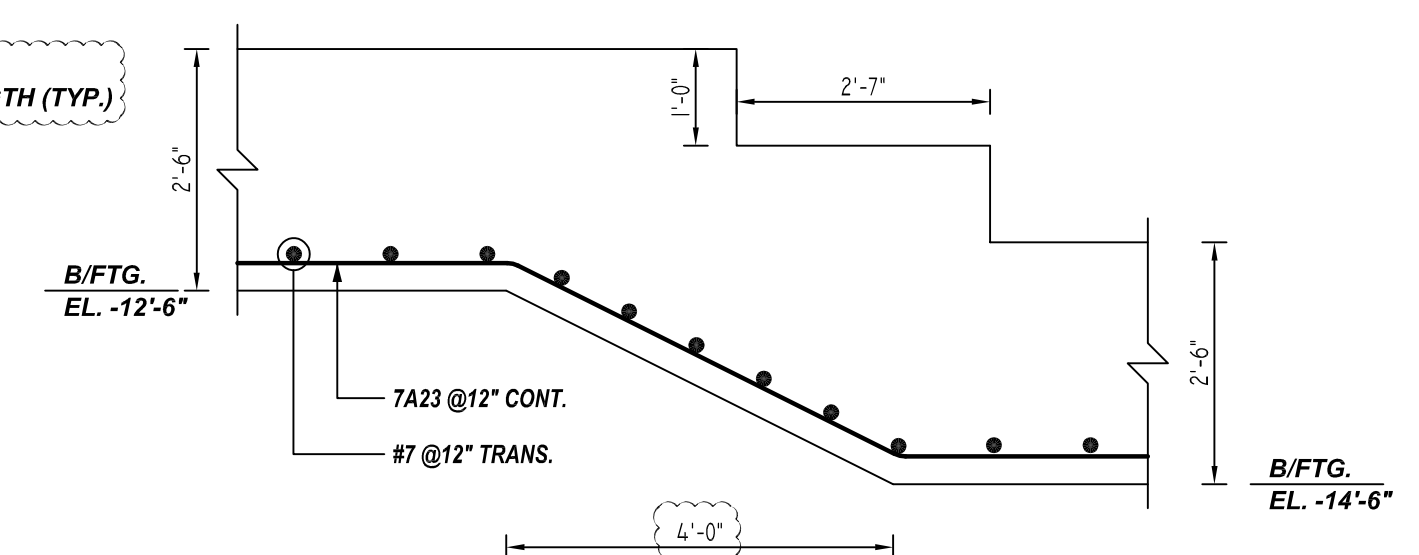
1 SECTION
REF:FO-100 & S-500
SCALE: 1/4" = 1'-0"
(@3 LOCATIONS)



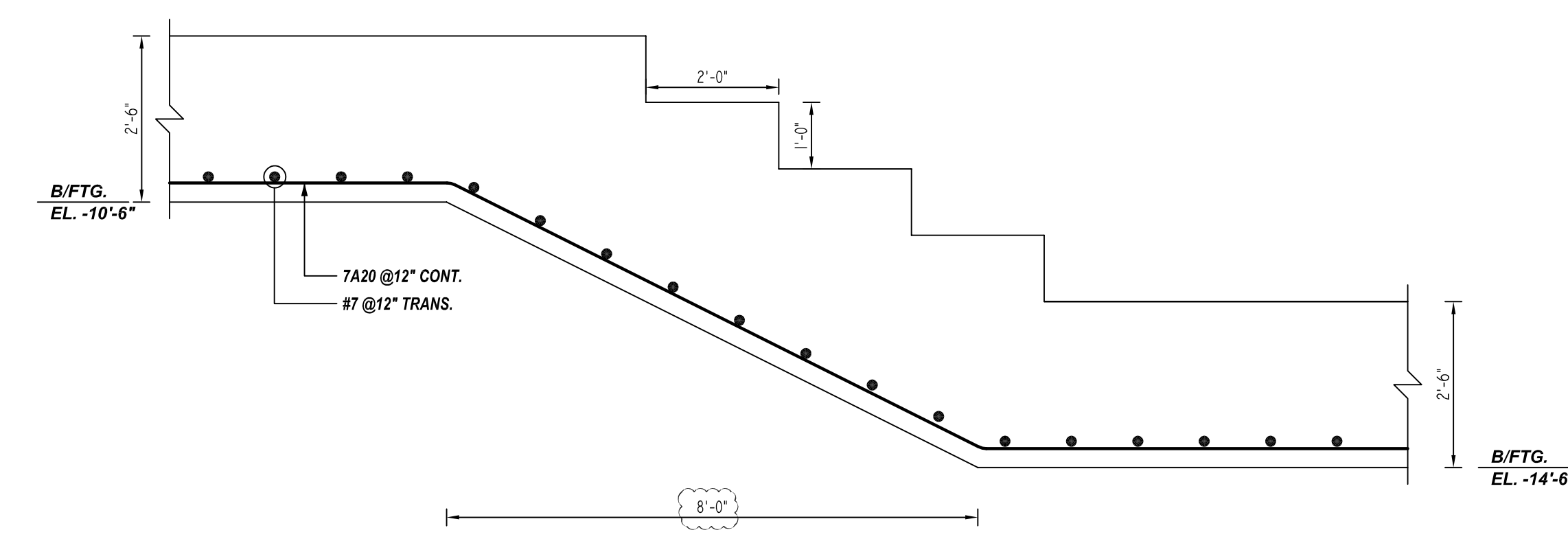
2 SECTION
REF:FO-100 & S-500
SCALE: 1/2" = 1'-0"



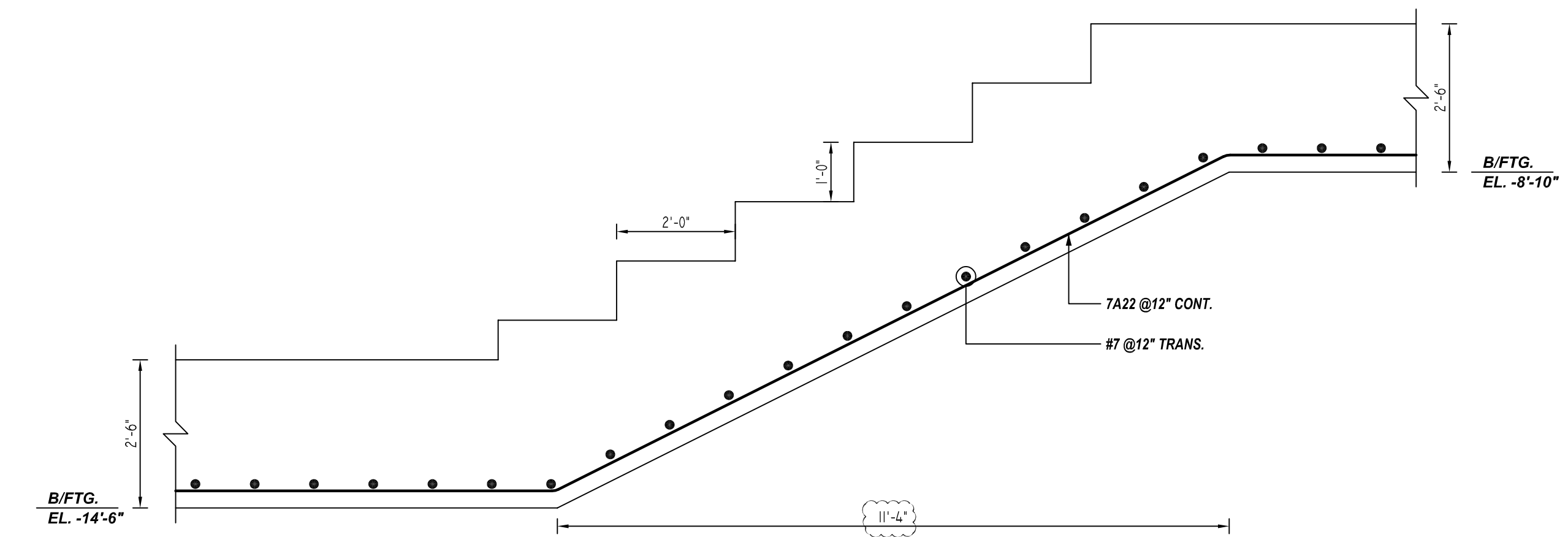
ELEVATION-SF1
REF:FO-100 & FO-202
SCALE: 1/2" = 1'-0"
A/E PLEASE VERIFY PROFILE WE FOLLOWED (TYP.)



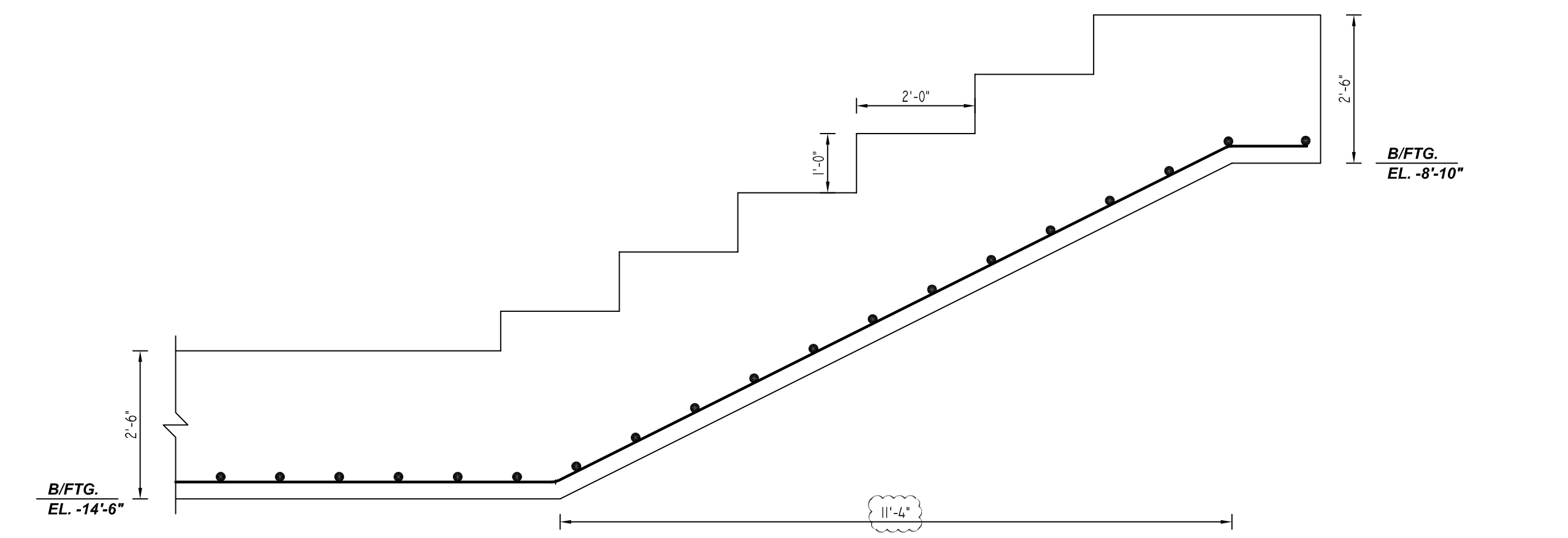
ELEVATION-SF2
REF:FO-100 & FO-202
SCALE: 1/2" = 1'-0"



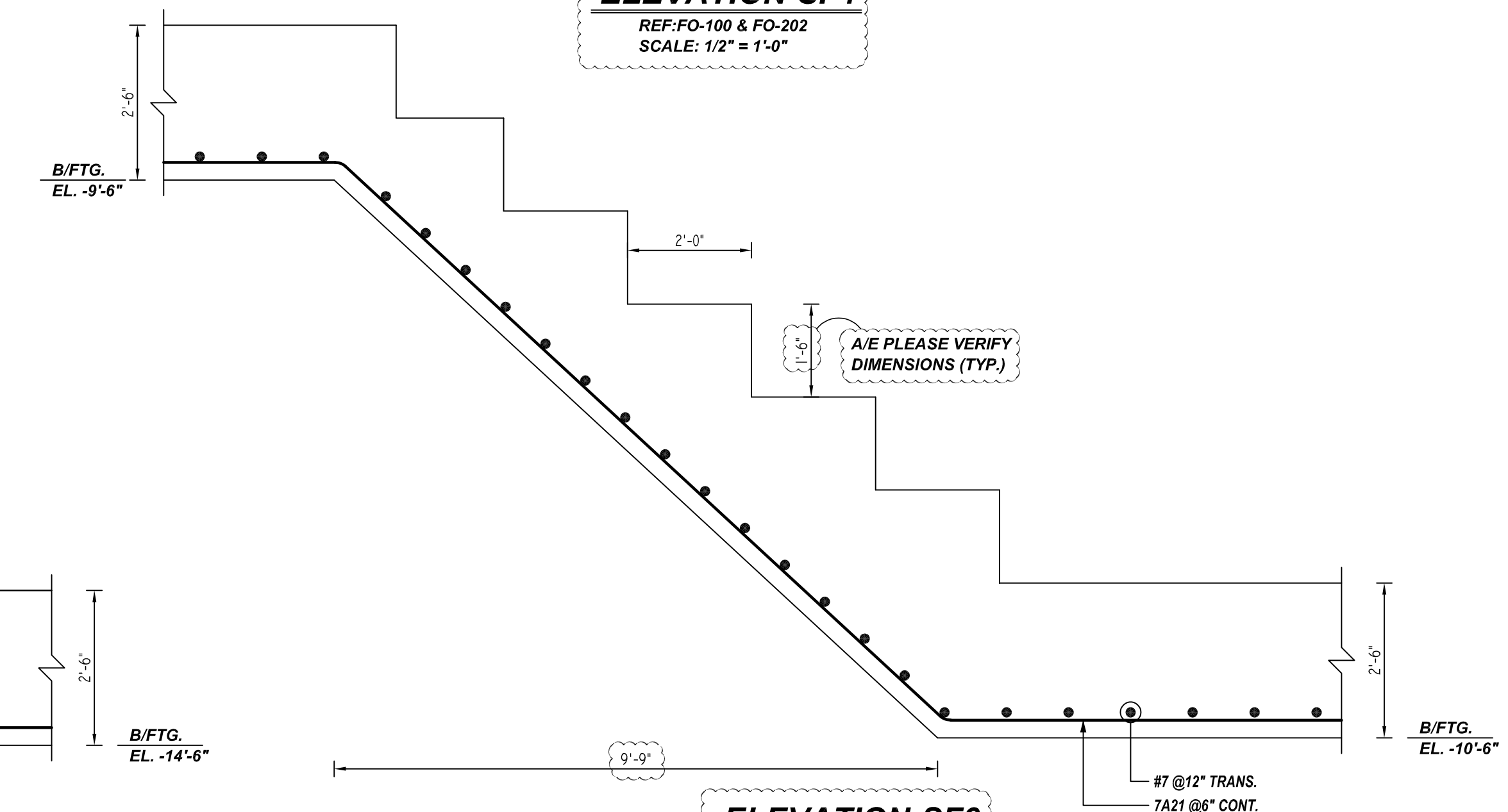
ELEVATION-SF5
REF:FO-100 & FO-202
SCALE: 1/2" = 1'-0"



ELEVATION-SF3
REF:FO-100 & FO-202
SCALE: 1/2" = 1'-0"



ELEVATION-SF4
REF:FO-100 & FO-202
SCALE: 1/2" = 1'-0"



ELEVATION-SF6
REF:FO-100 & FO-202
SCALE: 1/2" = 1'-0"

A/E PLEASE VERIFY COVER VALUE

LOCATION	MIN. COVER
FOOTING BOTTOM & SIDE	3" CLR
COLUMN SIDE	1 1/2" CLR
COLUMN TOP	2" CLR

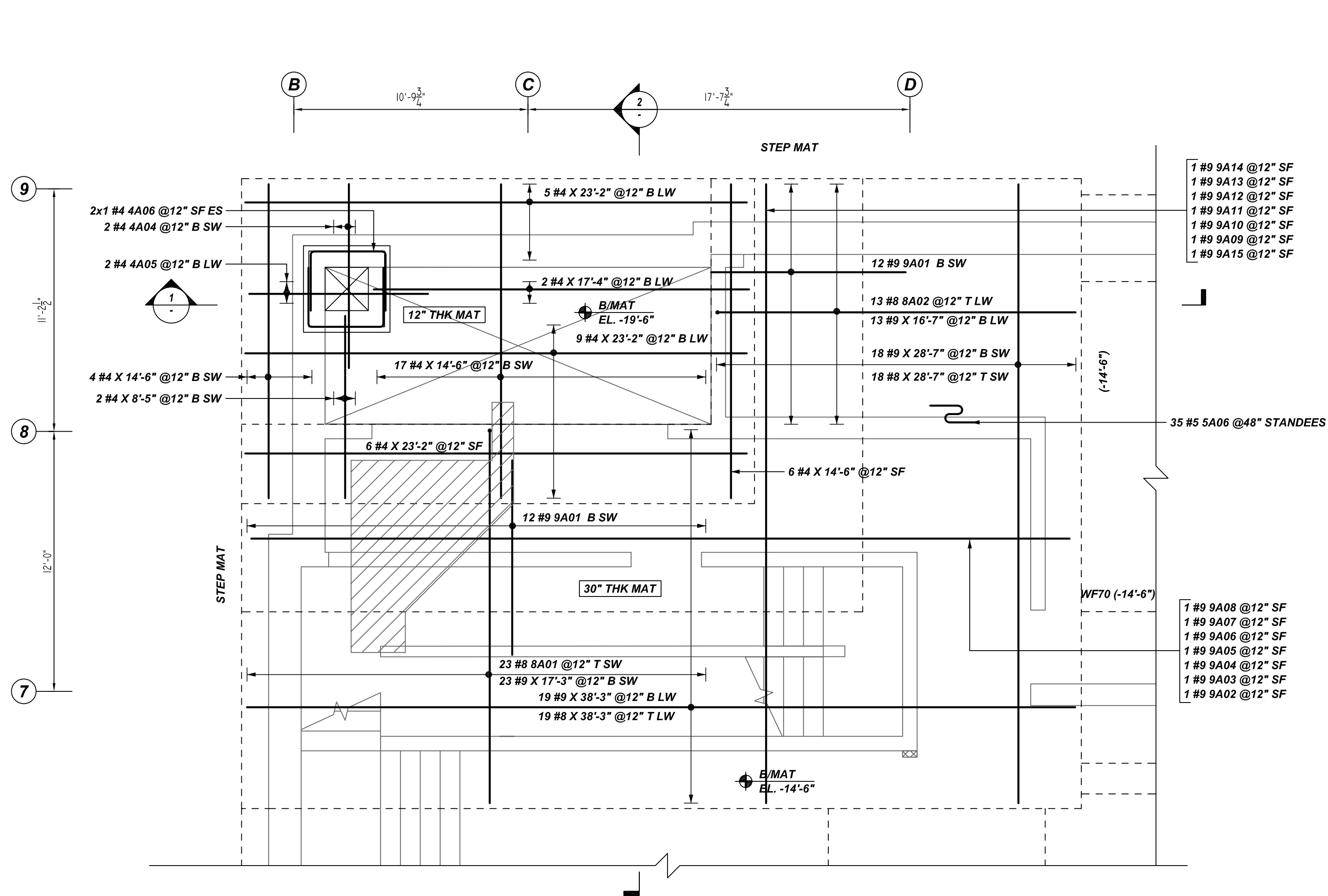
A/E PLEASE VERIFY LAP VALUE

BAR#	LENGTHS	
	TOP	OTHERS
#3	1'-6"	1'-4"
#4	2'-2"	1'-8"
#5	3'-4"	2'-7"
#6	4'-9"	3'-8"
#7	6'-5"	4'-11"
#8	8'-6"	6'-6"
#9	10'-9"	8'-3"
#10	13'-7"	10'-6"
#11	16'-8"	12'-10"

FOR APPROVAL

**ALL BARS IN THIS DRAWING
ASTM A615 GRADE 60
BLACK UNCOATED**

GRADE	A615/60 (UNO)		
PREFIX	A		
BAR LIST NOS.	-		
REV	DESCRIPTION	ISSUED DATE	ISSUED FOR
0	IFA	07/21/2022	APPROVAL
STRUCTURE	COLUMN, PIER & STEP REINFORCEMENT DETAILS		
FLOOR	FOUNDATION		
JOB NO.	-		
CUSTOMER	LEGACY CONTRACTORS NYC		
JOB	92-54 QUEENS BOULEVARD		
LOCATION	QUEENS, NY, 11374		
DRAWN	DATE	CONTROL CODE	DWG. NO.
MRS	07/21/2022	-	R02

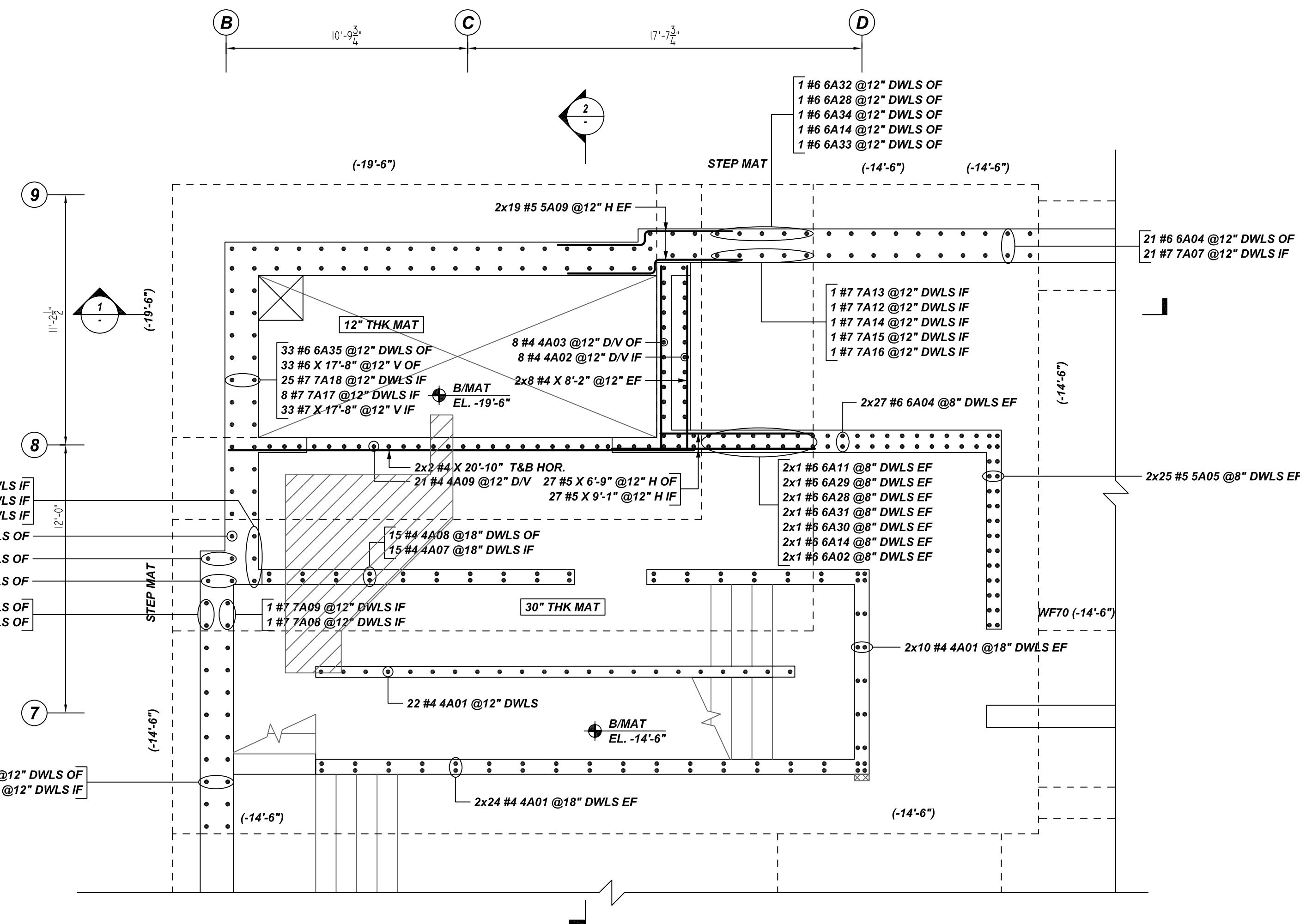


(SHOWING MAT & ELEVATOR PIT REINFORCEMENT DETAILS)

DETAIL-A

REF:FO-100.00 (DT.07/06/22)
SCALE: 1/4" = 1'-0"

A/E PLEASE VERIFY PROFILE & BAR ARRANGEMENT WE FOLLOWED (TYP.)

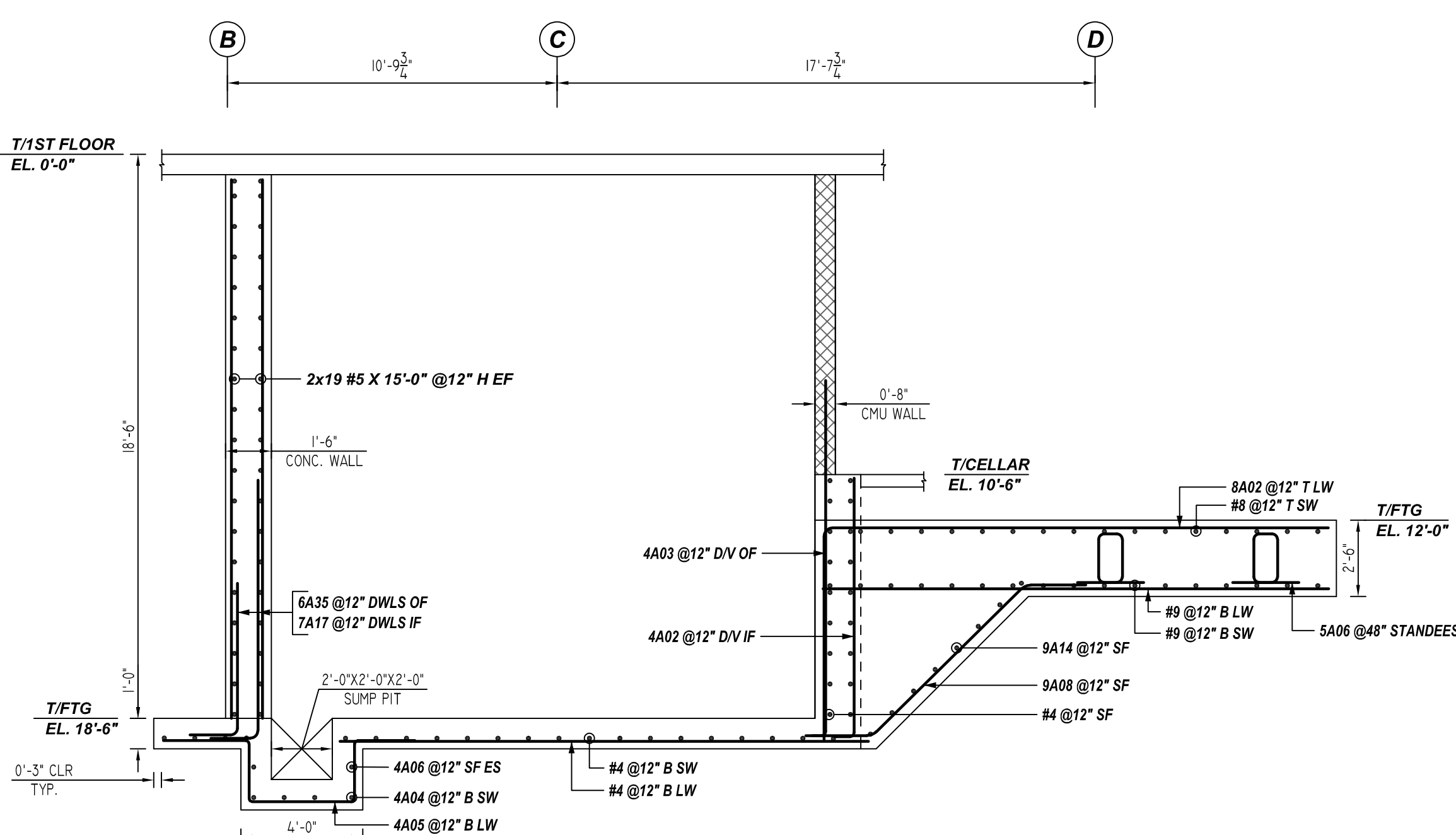


(SHOWING MAT & ELEVATOR PIT DOWELS REINFORCEMENT DETAILS)

DETAIL-A

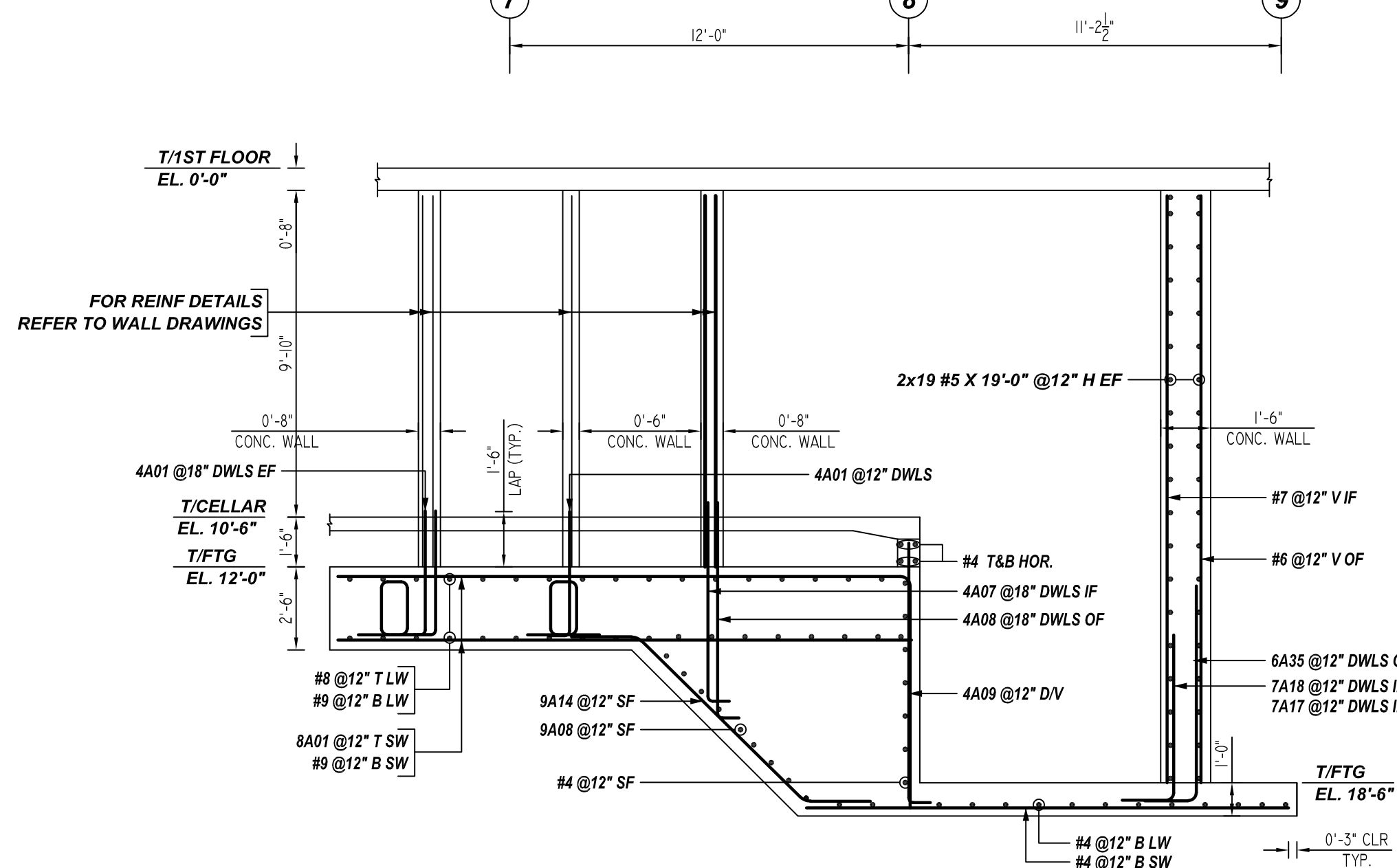
REF:FO-100.00 (DT.07/06/22)
SCALE: 1/6" = 1'-0"

A/E PLEASE VERIFY PROFILE & BAR ARRANGEMENT WE FOLLOWED (TYP.)



1 SECTION

R04 REF:FO-202 (DT.07/06/22)
SCALE: 1/4" = 1'-0"



2 SECTION

R04 REF:FO-202 (DT.07/06/22)
SCALE: 1/4" = 1'-0"

TYPICAL REINFORCING BAR CLEARANCE TABLE

LOCATION	MIN. COVER
FOOTING BOTTOM & SIDE	3" CLR
WALL SIDE & TOP	2" CLR

**ALL BARS IN THIS DRAWING
ASTM A615 GRADE 60
BLACK UNCOATED**

FOR APPROVAL

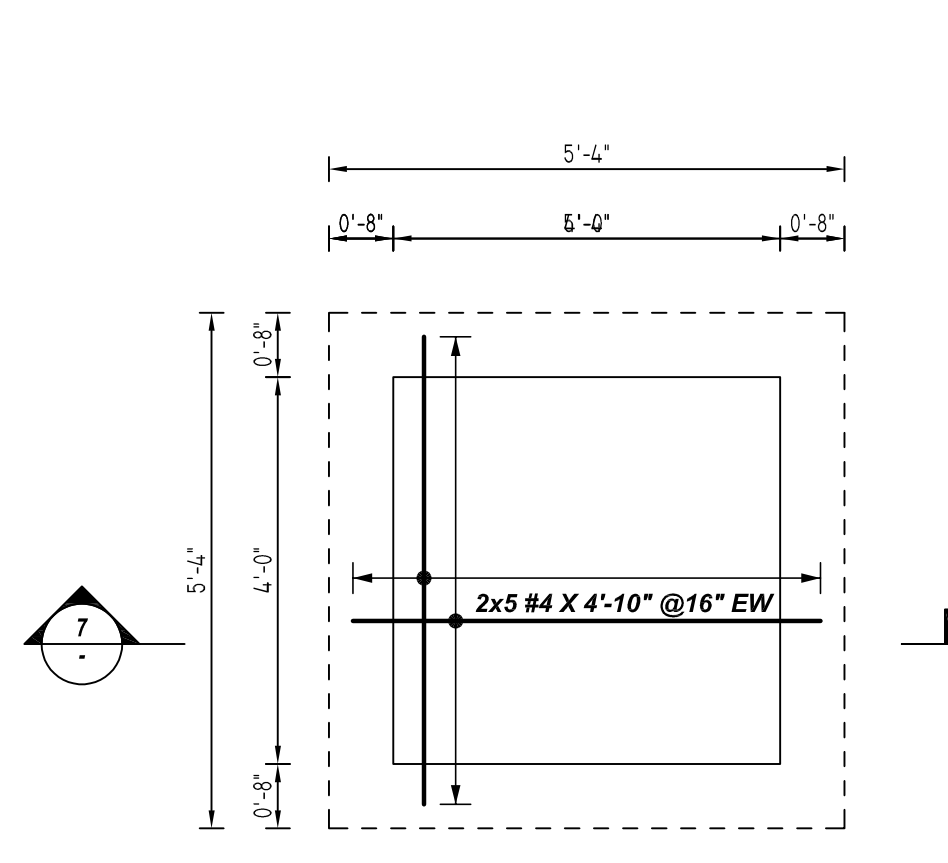
A/E PLEASE VERIFY LAP VALUE

LAP SCHEDULE

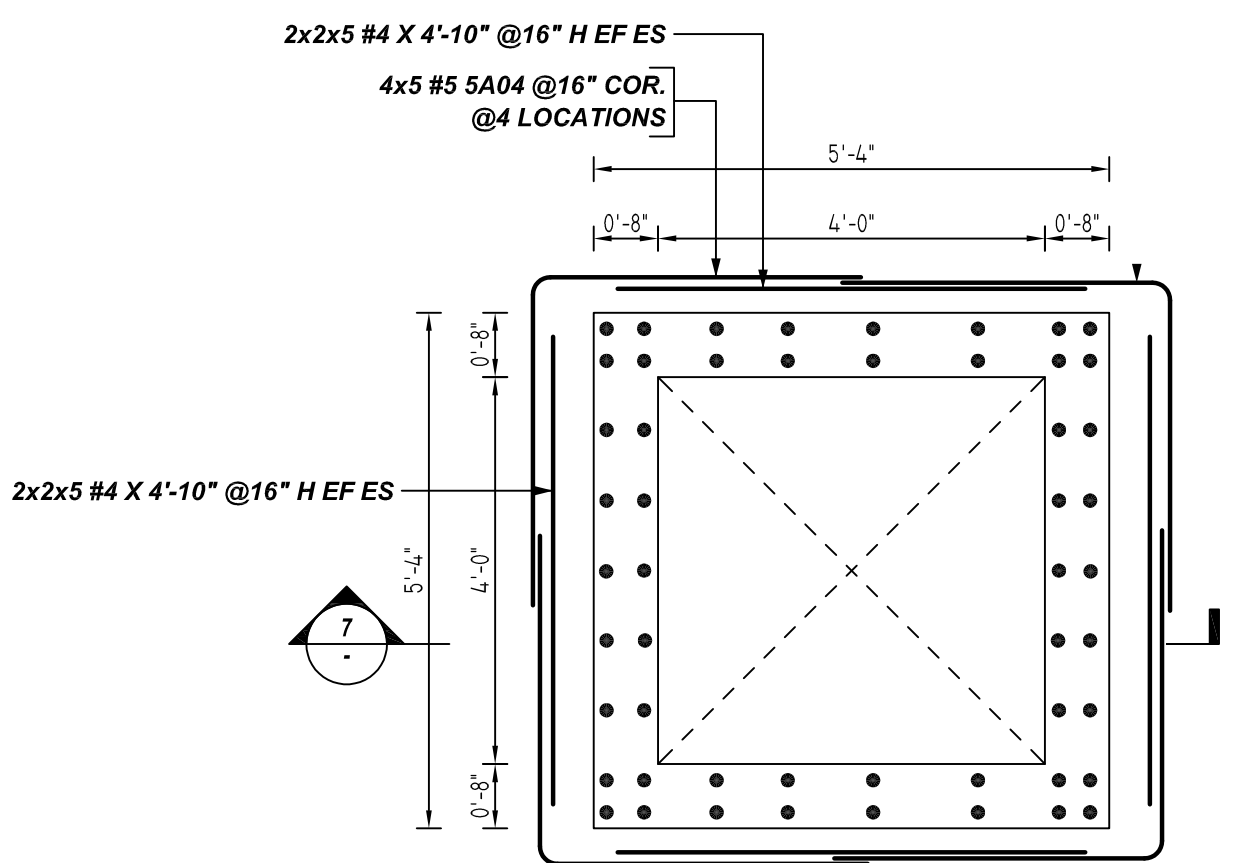
4000 PSI (CLASS-B) CASE - 1

BAR#	LENGTHS	
	TOP	OTHERS
#3	2'-0"	1'-9"
#4	2'-10"	2'-2"
#5	4'-4"	3'-5"
#6	6'-3"	4'-10"
#7	8'-5"	6'-5"
#8	11'-1"	8'-6"
#9	13'-4"	10'-9"
#10	17'-8"	13'-8"
#11	21'-8"	16'-9"

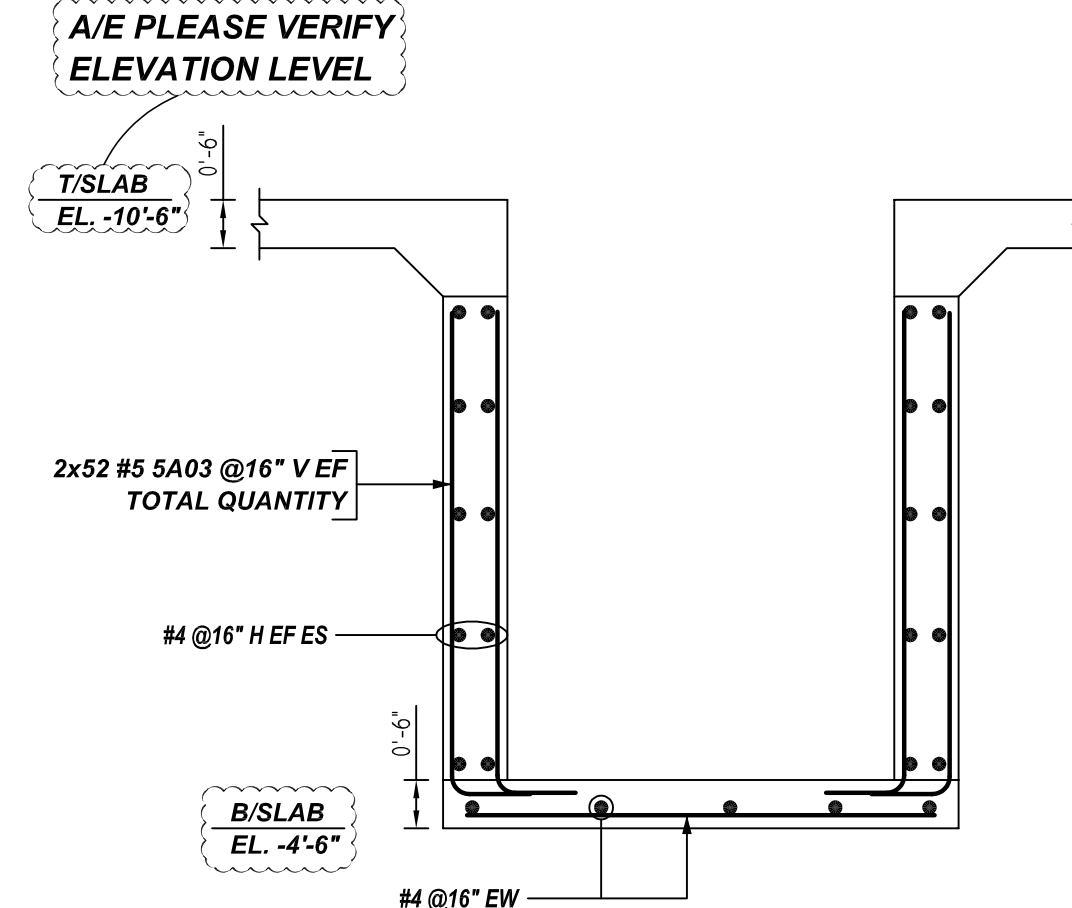
GRADE	A615/60 (UNO)			STRUCTURE	MAT REINFORCEMENT DETAILS
PREFIX	A				
BAR LIST NOS.	-			JOB NO.	-
REV	DESCRIPTION	ISSUED DATE	ISSUED FOR	CUSTOMER	LEGACY CONTRACTORS NYC
0	IFA	07/21/2022	APPROVAL	JOB	92-54 QUEENS BOULEVARD
				LOCATION	QUEENS, NY, 11374
				DRAWN	DATE
				MRS	07/21/2022
				CONTROL CODE	-
				DWG. NO.	R04



(EJECTOR PIT MAT REINFORCEMENT DETAILS)



(EJECTOR PIT WALL REINFORCEMENT DETAILS)

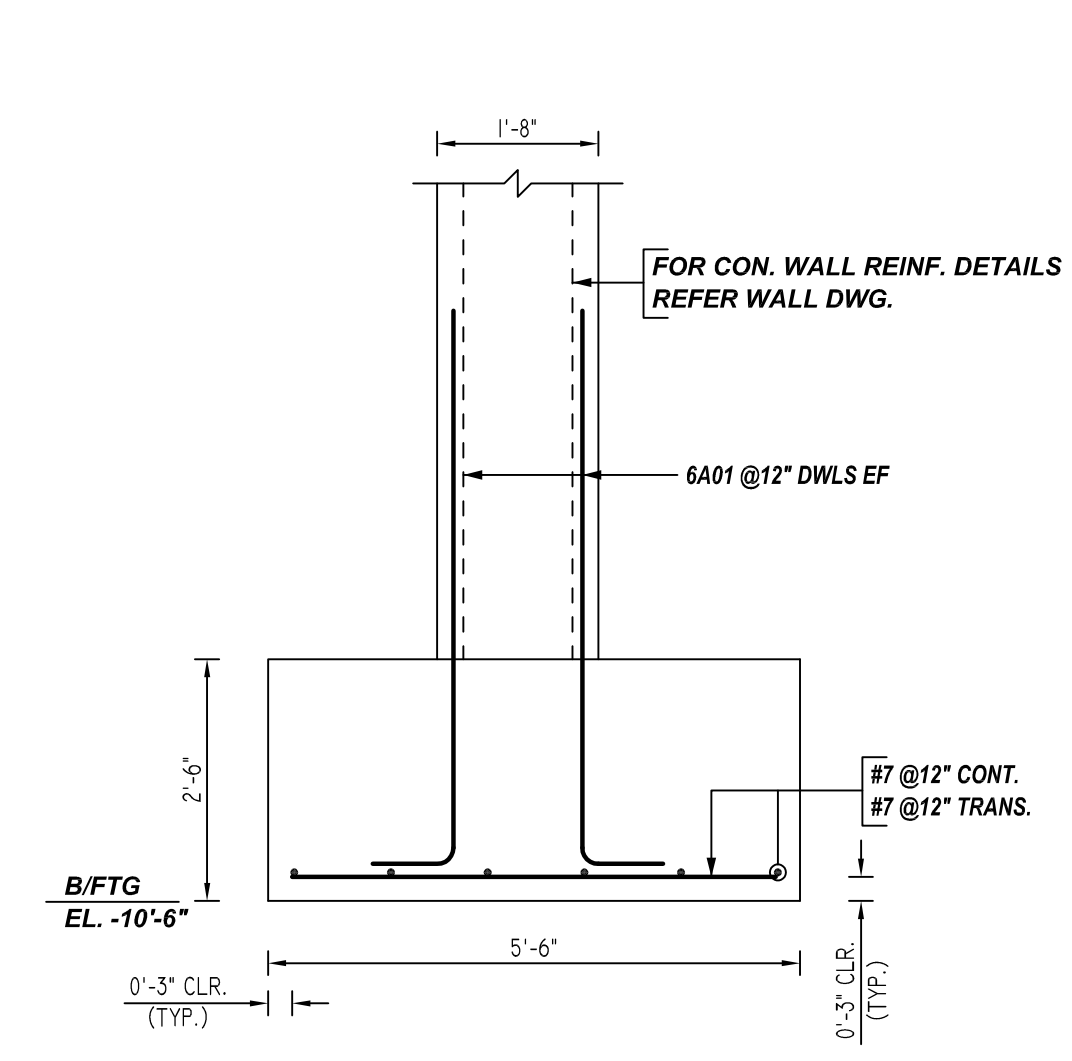


7 SECTION
REF: -
SCALE: 1/2" = 1'-0"

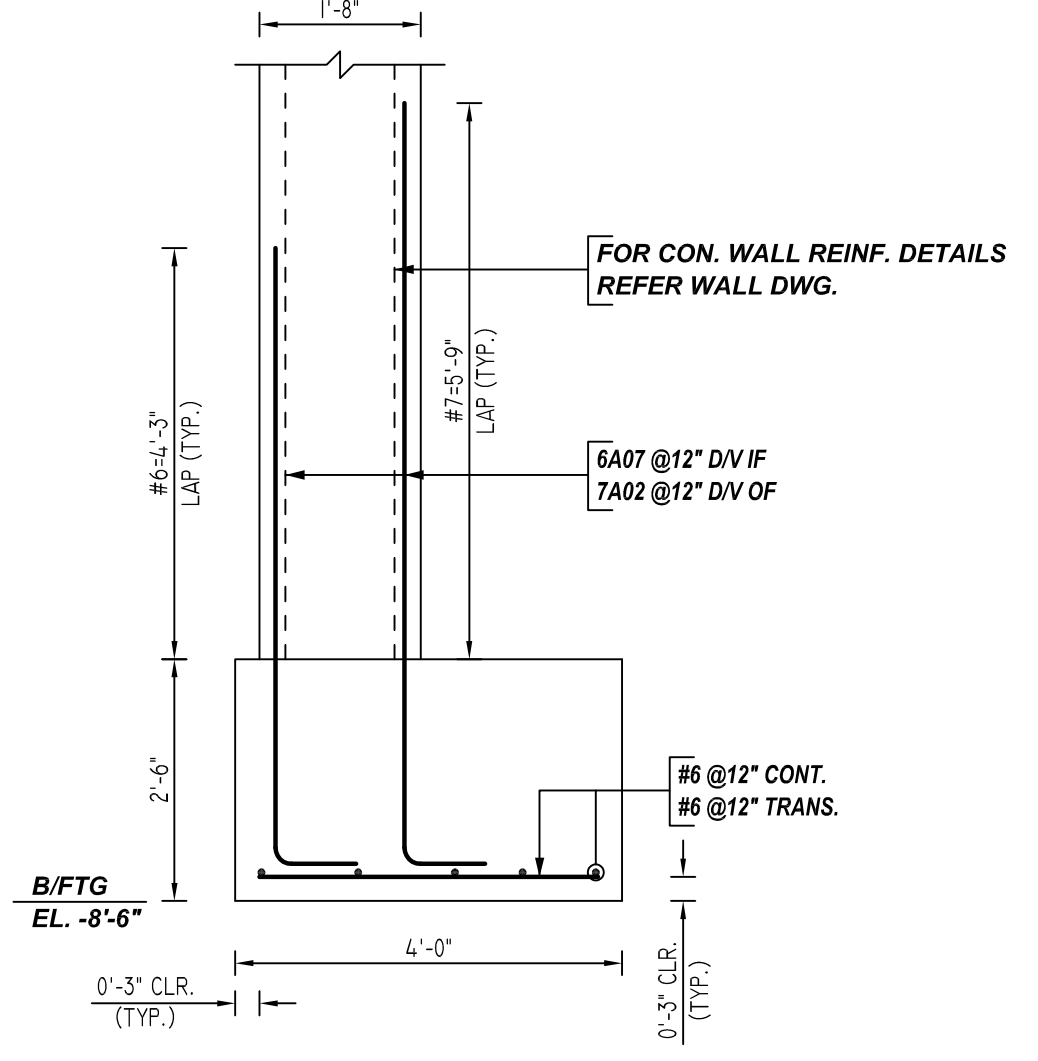
DETAIL-B
REF:FO-100.00 (DT.07/06/22)
SCALE: 1/2" = 1'-0"

DETAIL-B
REF:FO-100.00 (DT.07/06/22)
SCALE: 1/2" = 1'-0"

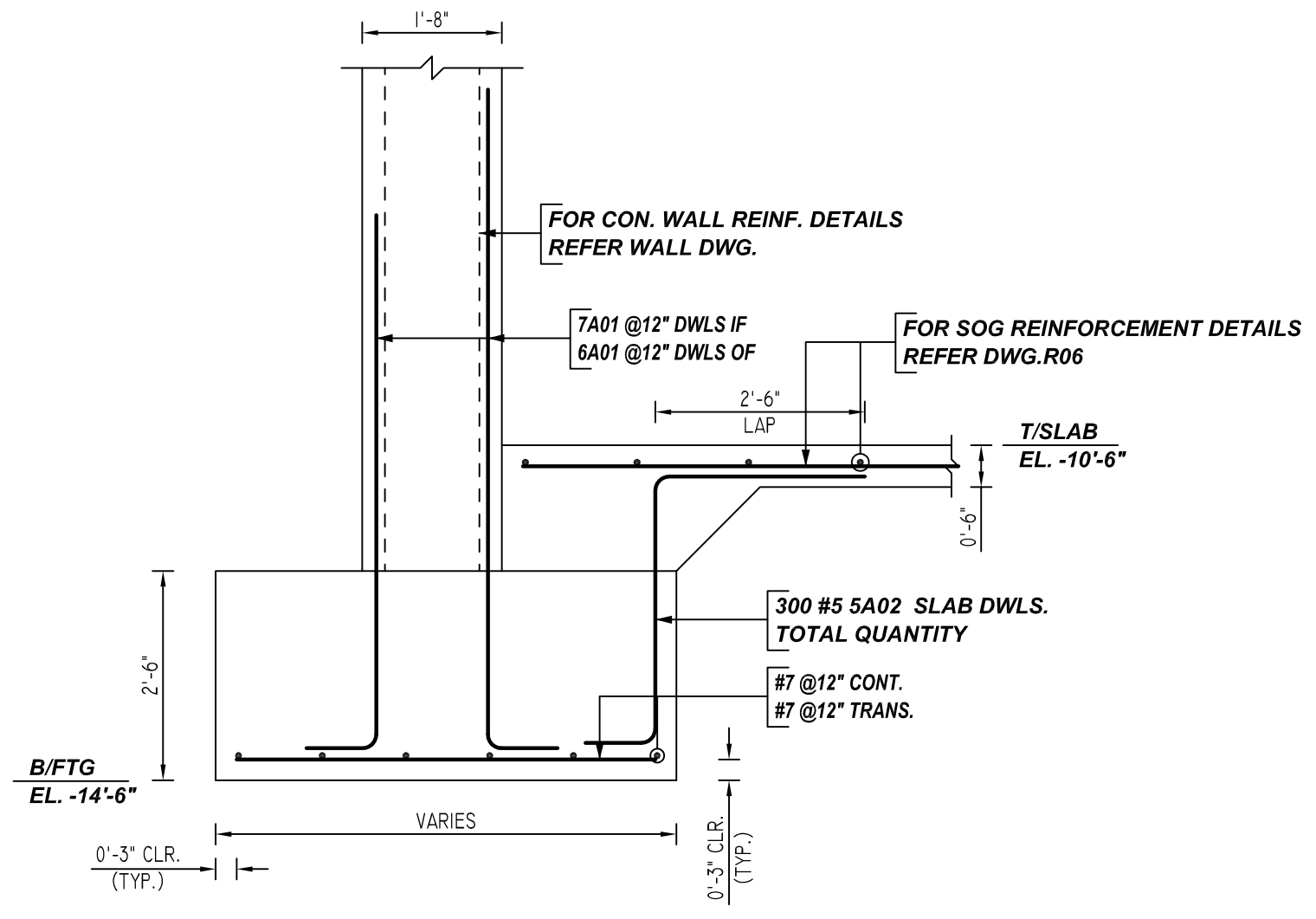
A/E PLEASE VERIFY PROFILE & BAR ARRANGEMENT WE FOLLOWED (TYP.)



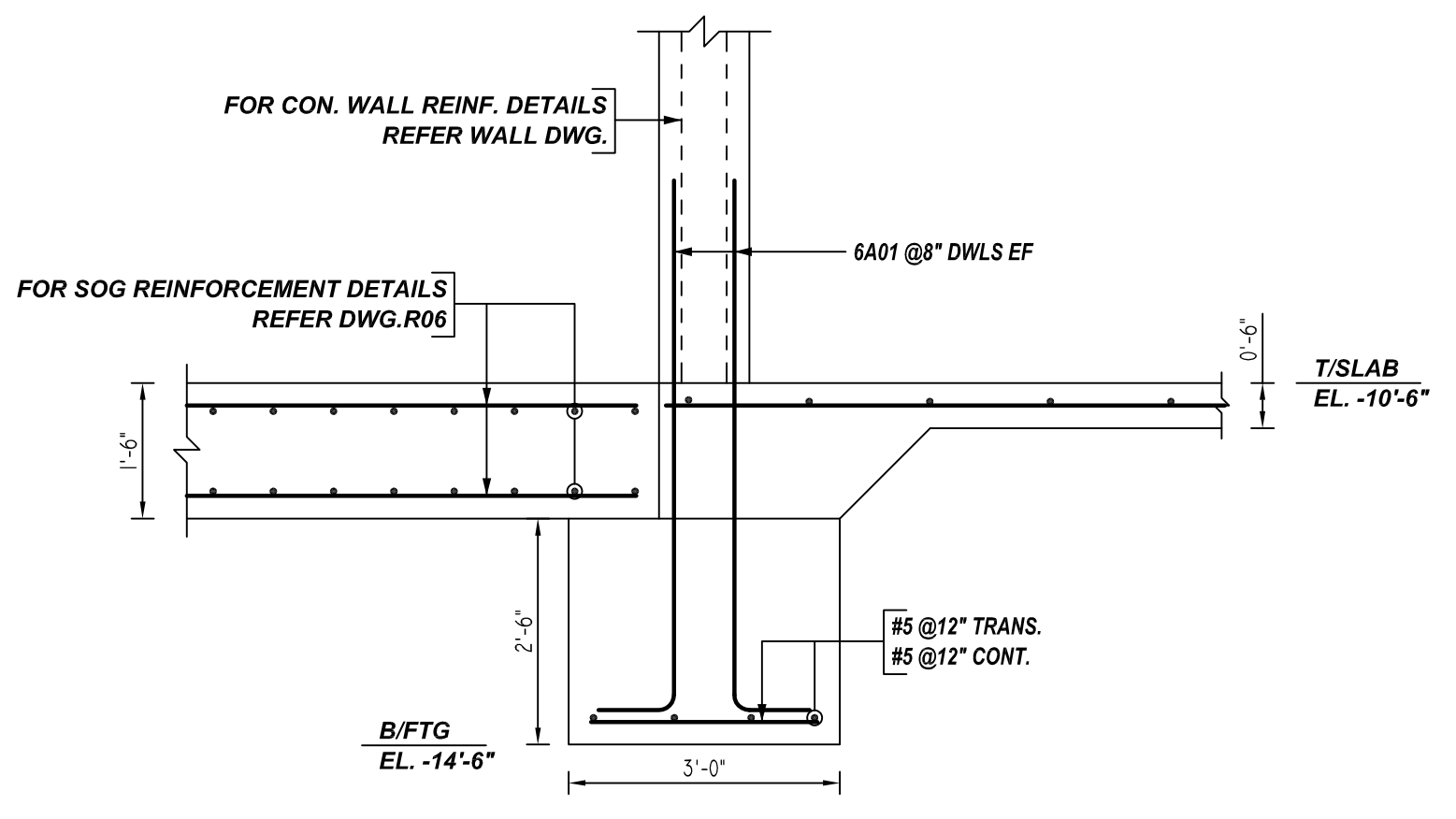
3 SECTION
REF:FO-100 & S-500
SCALE: 1/2" = 1'-0"



4 SECTION
REF:FO-100 & S-500
SCALE: 1/2" = 1'-0"



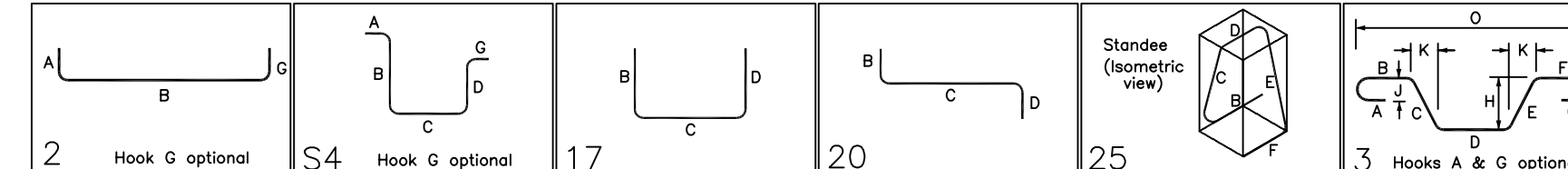
5 SECTION
REF:FO-100 & S-500
SCALE: 1/2" = 1'-0"



6 SECTION
REF: -
SCALE: 1/2" = 1'-0"

A/E PLEASE VERIFY PROFILE & BAR ARRANGEMENT

Bar Mark	Qty	Size	Total Length	Type	X	Y	Z	W	V	U	T	S	R	Q	P	O	N	M	L	K	J	I	H	G	F	E	D	C	B	A
4A01	90	#4	4'-5"	2	0'-8"	5'-9"																								
4A02	8	#4	9'-2"	2	0'-8"	8'-5"																								
4A03	8	#4	12'-4"	2	0'-8"	11'-8"																								
4A04	2	#4	12'-8"	54	2'-0"	2'-0"	5'-5"	2'-0"																						
4A05	2	#4	12'-5"	54	2'-10"	2'-0"	5'-5"	2'-0"																						
4A06	2	#4	9'-0"	17	2'-0"	2'-0"	5'-5"	2'-0"																						
4A07	15	#4	6'-8"	2	0'-8"	6'-0"																								
4A08	15	#4	7'-2"	2	0'-8"	6'-5"																								
4A09	24	#4	8'-5"	2	0'-8"	7'-10"																								
5A02	300	#5	6'-8"	20		2'-5"	3'-5"	0'-8"																						
5A03	104	#5	5'-10"	2	0'-10"	5'-0"																								
5A04	20	#5	6'-10"	17		3'-5"	3'-5"																							
5A05	50	#5	8'-2"	2	0'-10"	5'-4"																								
5A06	35	#5	7'-2"	25		1'-5"	1'-8"	0'-10"	1'-8"	1'-5"	1'-7"																			
5A09	38	#5	8'-5"	20		3'-11"	0'-8"	3'-11"																						
6A02	2	#6	7'-8"	2	1'-0"	6'-5"																								
6A04	93	#6	7'-5"	2	1'-0"	6'-5"																								
6A07	1	#6	8'-7"	2	1'-0"	7'-7"																								
6A11	2	#6	11'-5"	2	1'-0"	10'-5"																								
6A14	3	#6	8'-4"	2	1'-0"	7'-4"																								
6A25	1	#6	8'-0"	2	1'-0"	7'-0"																								
6A26	2	#6	9'-2"	2	1'-0"	8'-2"																								
6A27	2	#6	9'-9"	2	1'-0"	8'-9"																								
6A28	4	#6	10'-4"	2	1'-0"	9'-4"																								
6A29	2	#6	11'-0"	2	1'-0"	10'-0"																								
6A30	2	#6	9'-7"	2	1'-0"	8'-7"																								
6A31	2	#6	8'-5"	2	1'-0"	8'-5"																								
6A32	1	#6	11'-4"	2	1'-0"	10'-4"																								
6A33	1	#6	11'-11"	2	1'-0"	10'-4"																								
6A34	1	#6	9'-4"	2	1'-0"	8'-4"																								
6A35	33	#6	6'-7"	2	1'-0"	5'-0"																								
7A07	39	#7	9'-2"	2	1'-2"	8'-0"																								
7A08	1	#7	9'-5"	2	1'-2"	8'-5"																								
7A09	1	#7	10'-3"	2	1'-2"	9'-1"																								
7A10	1	#7	10'-10"	2	1'-2"	9'-5"																								
7A11	1	#7	11'-5"	2	1'-2"	10'-3"																								
7A12	2	#7	12'-0"	2	1'-2"	10'-10"																								
7A13	1	#7	13'-0"	2	1'-2"	11'-10"																								
7A14	1	#7	11'-0"	2	1'-2"	9'-10"																								
7A15	1	#7	9'-0"	2	1'-2"	7'-10"																								
7A16	1	#7	10'-0"	2	1'-2"	8'-10"																								
7A17	8	#7	10'-1"	2	1'-2"	8'-5"																								
7A18	25	#7	8'-1"	2	1'-2"	6'-5"																								
8A01	23	#8	24'-3"	17		7'-0"	17'-3"																							
8A02	13	#8	23'-7"	17		7'-0"	16'-7"																							
9A01	24	#9	11'-1"	3	2'-0"	7'-1"	2'-0"																							
9A02	1	#9	39'-11"	3	9'-5"	7'-1"	23'-2"																							
9A03	1	#9	39'-11"	3	9'-0"	6'-2"	24'-0"																							
9A04	1	#9	39'-11"	3	9'-11"	5'-2"	24'-0"																							
9A05	1	#9	39'-7"	3	9'-11"	4'-1"	25'-0"																							
9A06	1	#9	39'-4"	3	9'-11"	3'-2"	26'-2"																							
9A07	1	#9	39'-0"	3	9'-11"	2'-2"	26'-10"																							
9A08	1	#9	38'-9"	3	9'-11"	1'-2"	27'-8"																							
9A09	1	#9	38'-4"	3	8'-11"	6'-2"	15'-3"																							
9A10	1	#9	38'-1"	3	8'-11"	5'-2"	15'-11"																							
9A11	1	#9	29'-10"	3	8'-11"	4'-1"	16'-8"																							
9A12	1	#9	29'-8"	3	8'-11"	3'-2"	17'-4"																							
9A13	1	#9	28'-3"	3	8'-11"	2'-2"	18'-1"																							
9A14	1	#9	28'-11"	3	8'-11"	1'-2"	18'-9"																							
9A15	1	#9	30'-8"	3	8'-11"	7'-1"	14'-7"																							



TYPICAL REINFORCING BAR CLEARANCE TABLE	
LOCATION	MIN. COVER
FOOTING BOTTOM & SIDE	3" CLR
WALL SIDE & TOP	2" CLR

A/E PLEASE VERIFY COVER VALUE

LAP SCHEDULE		
4000 PSI (CLASS-B) CASE - 1		
BAR#	LENGTHS	
	TOP	OTHERS
#3	2'-0"	1'-9"
#4	2'-10"	2'-2"
#5	4'-4"	3'-5"
#6	6'-3"	4'-10"
#7	8'-5"	6'-5"
#8	11'-1"	8'-6"
#9	13'-4"	10'-9"
#10	17'-8"	13'-8"
#11	21'-8"	16'-9"

A/E PLEASE VERIFY LAP VALUE

**ALL BARS IN THIS DRAWING
ASTM A615 GRADE 60
BLACK UNCOATED**

FOR APPROVAL

GRADE	A615/60 (UNO)			STRUCTURE	EJECTOR PIT & SECTION REINFORCEMENT DETAILS
PREFIX	A				
BAR LIST NOS.	-			FLOOR	FOUNDATION
REV	DESCRIPTION	ISSUED DATE	ISSUED FOR	JOB NO.	-
0	IFA	07/21/2022	APPROVAL	CUSTOMER	LEGACY CONTRACTORS NYC
				JOB	92-54 QUEENS BOULEVARD