

Release Number: R01

Bar Mark	Qty	Size	Total Length	Type	X'	Y'	Z'	BENDING DETAILS														
SA04	60	#5	6'-0"	17		3'-0"	3'-0"															
SA05	30	#5	7'-8"	20		3'-0"	1'-8"	3'-0"														

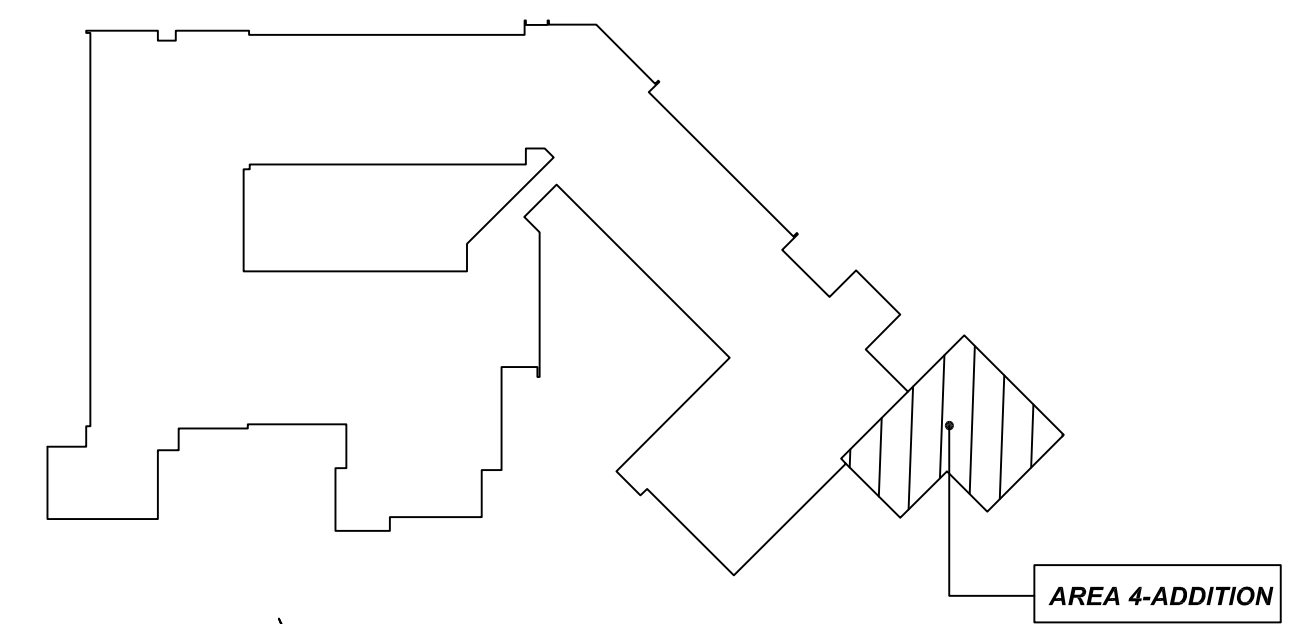
TYPICAL REINFORCING BAR CLEARANCE TABLE

LOCATION	MIN. COVER
FOOTING SIDES	3" CLR

**ALL BARS IN THIS DRAWING
ASTM A615 GRADE 60
BLACK UNCOATED**

LAP SCHEDULE
3000 PSI

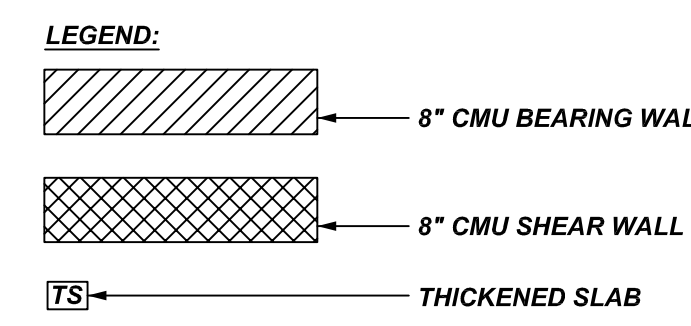
BAR #	LENGTH
#3	22"
#4	29"
#5	36"
#6	43"
#7	63"
#8	72"
#9	81"
#10	91"
#11	101"



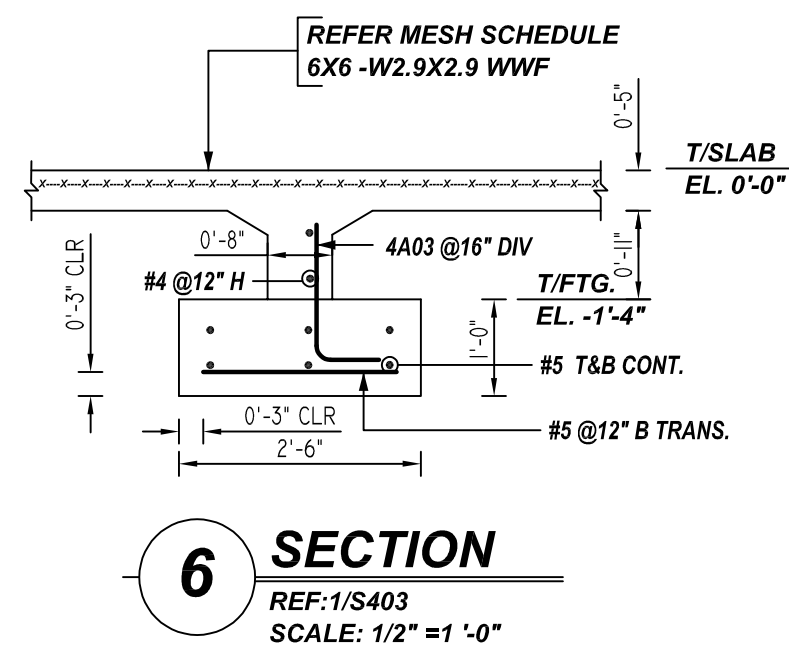
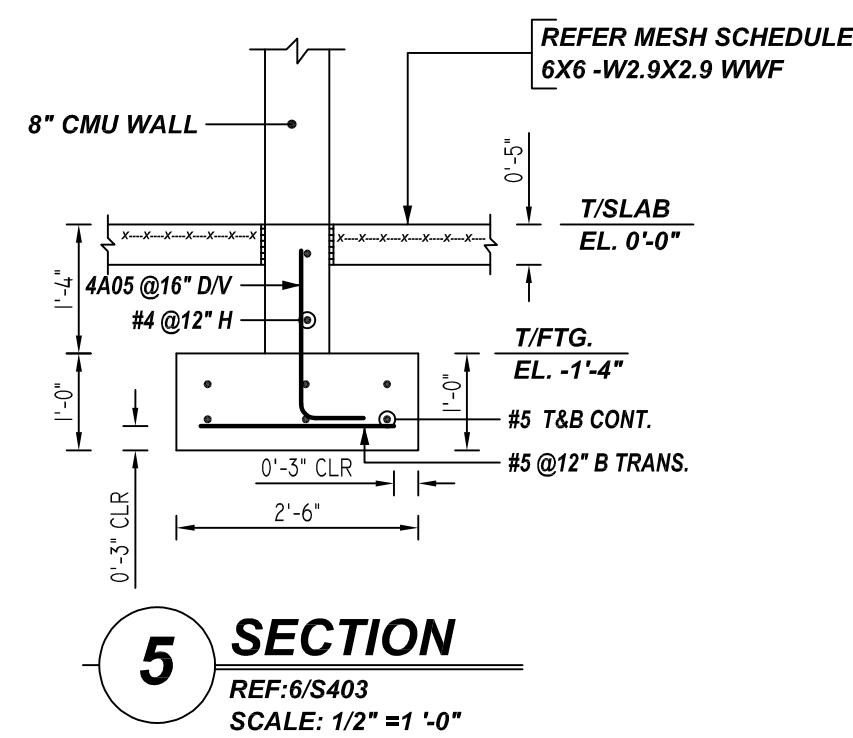
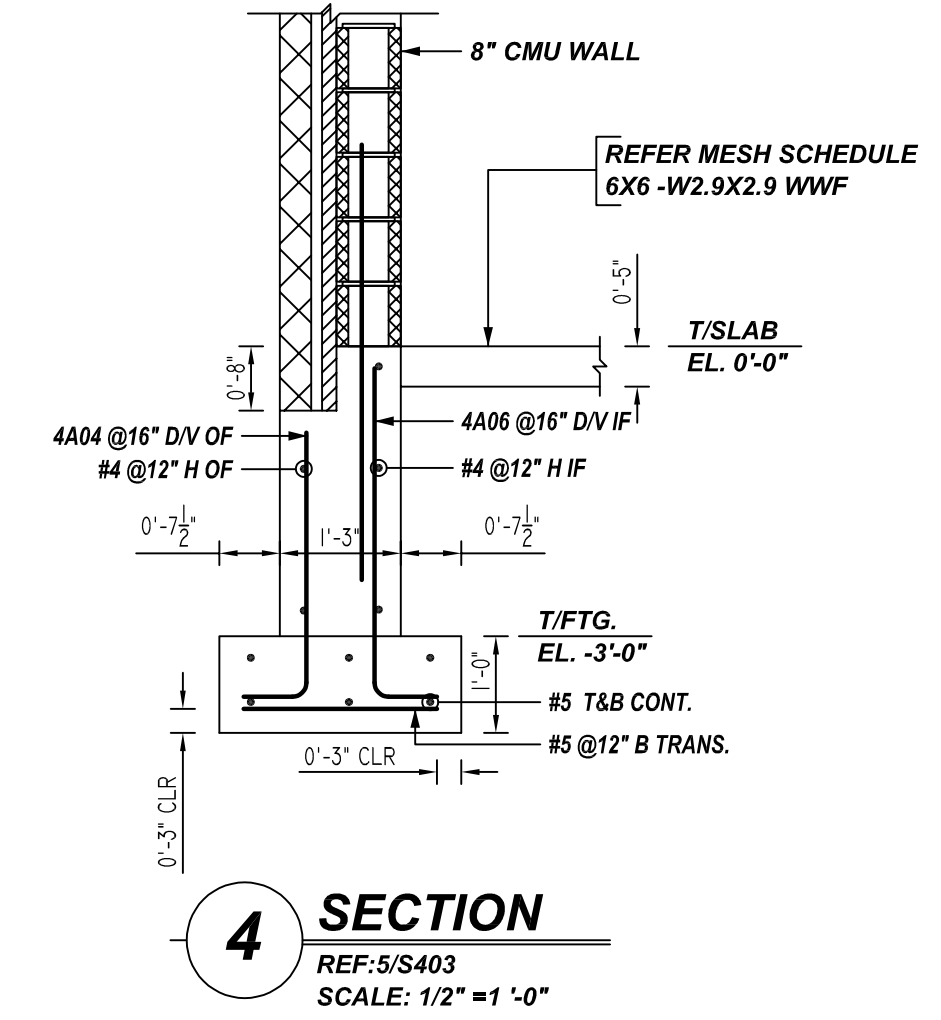
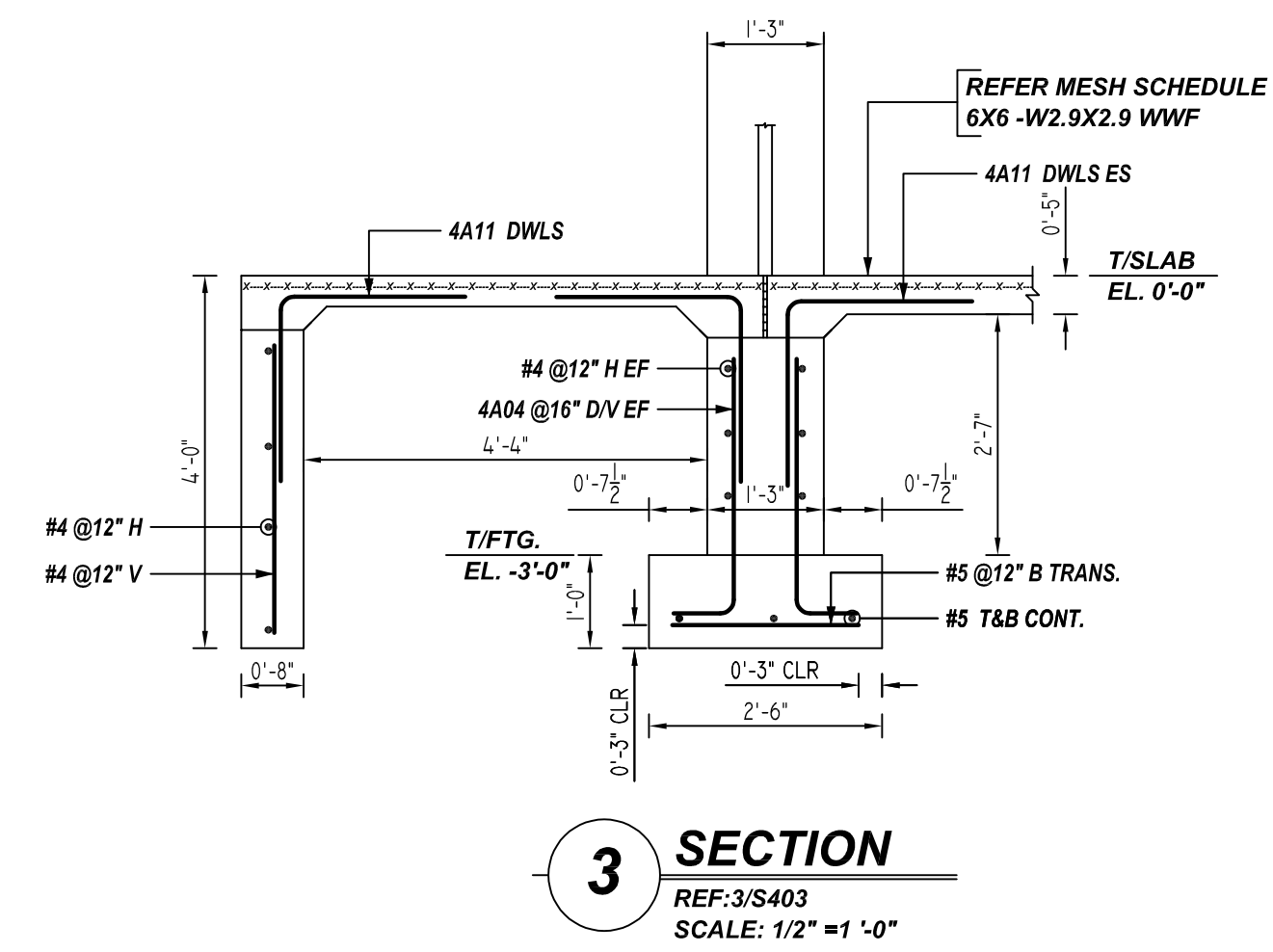
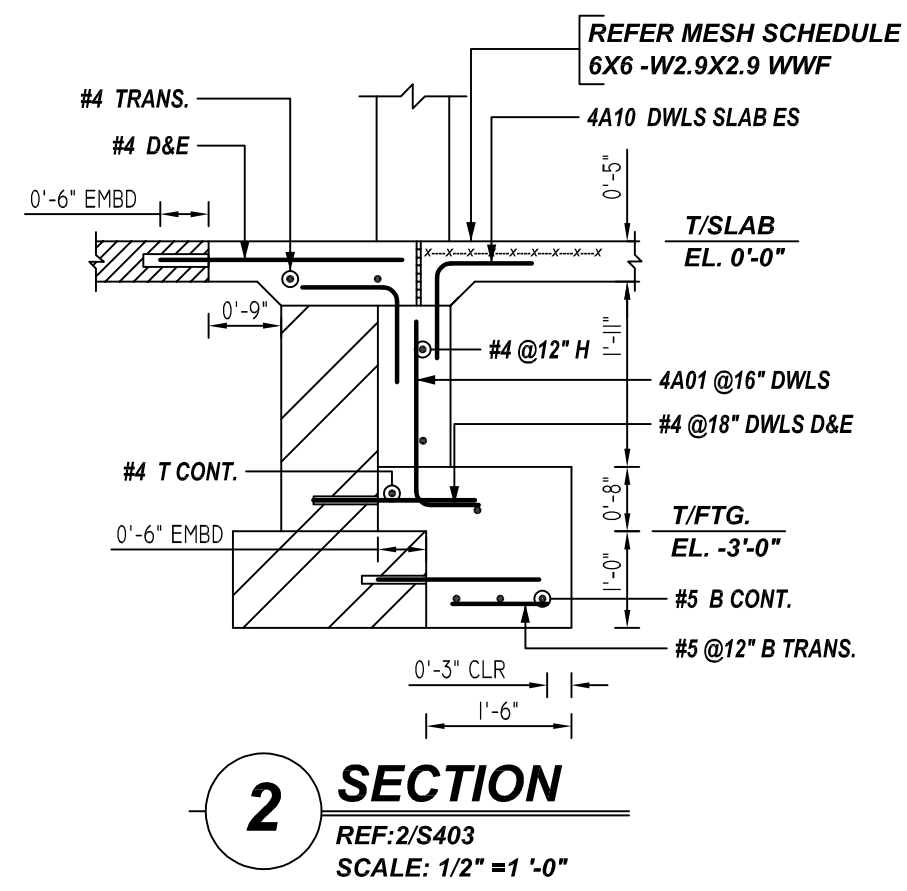
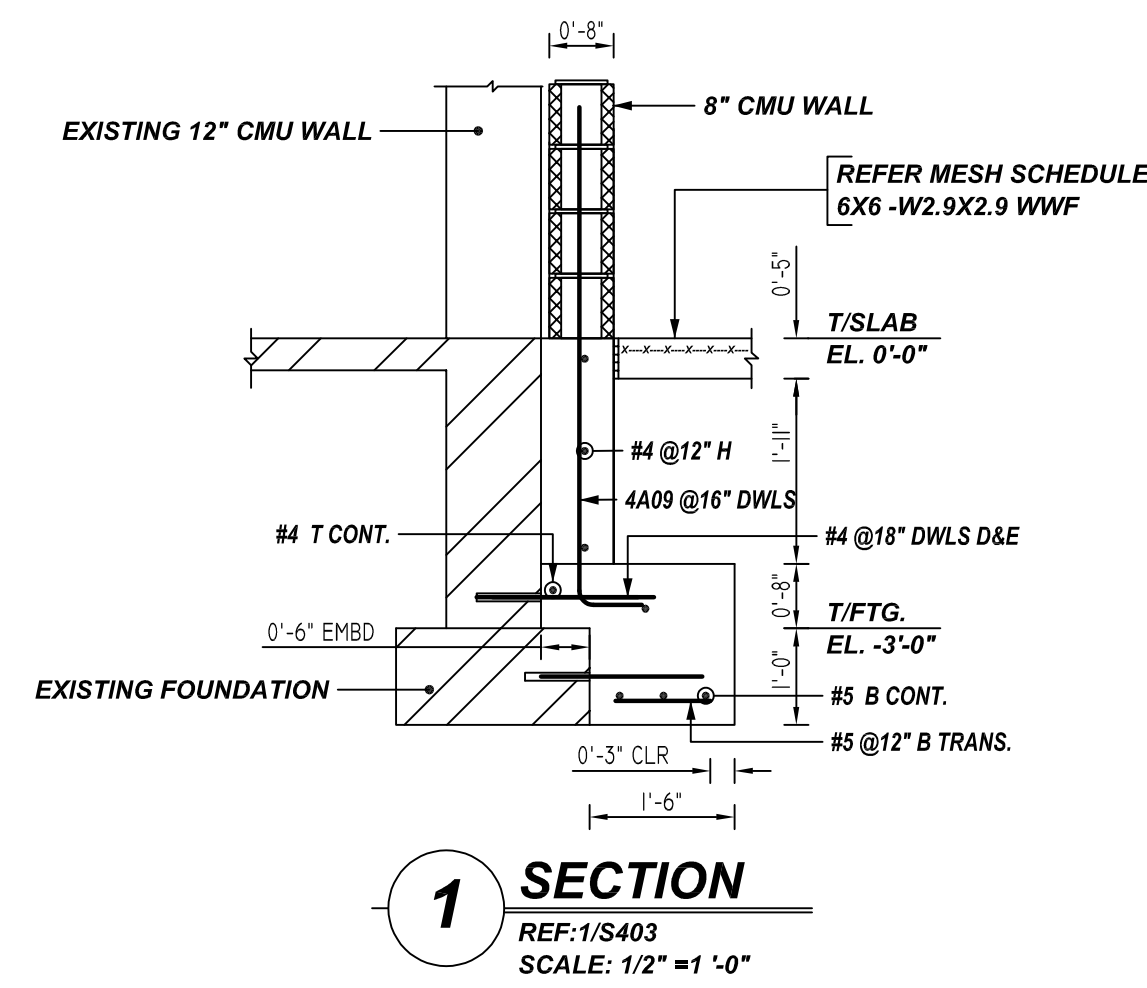
KEY PLAN
REF: S202
SCALE: NTS

FOR APPROVAL

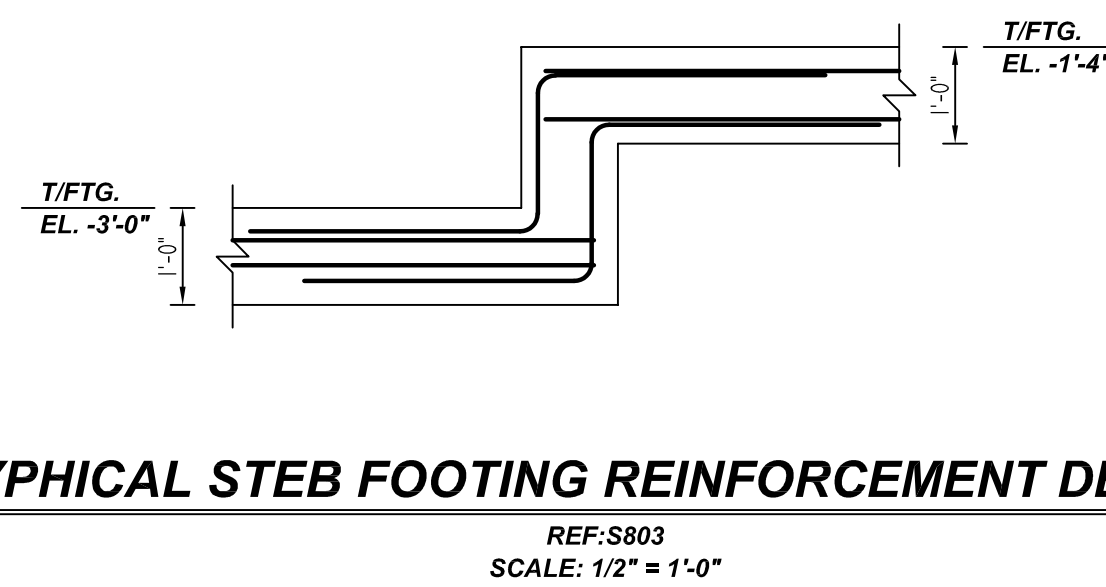
AREA 4 ADDITION - CONTINUOUS FOOTING REINFORCEMENT DETAILS
REF: S202
SCALE: 1/4" = 1'-0"



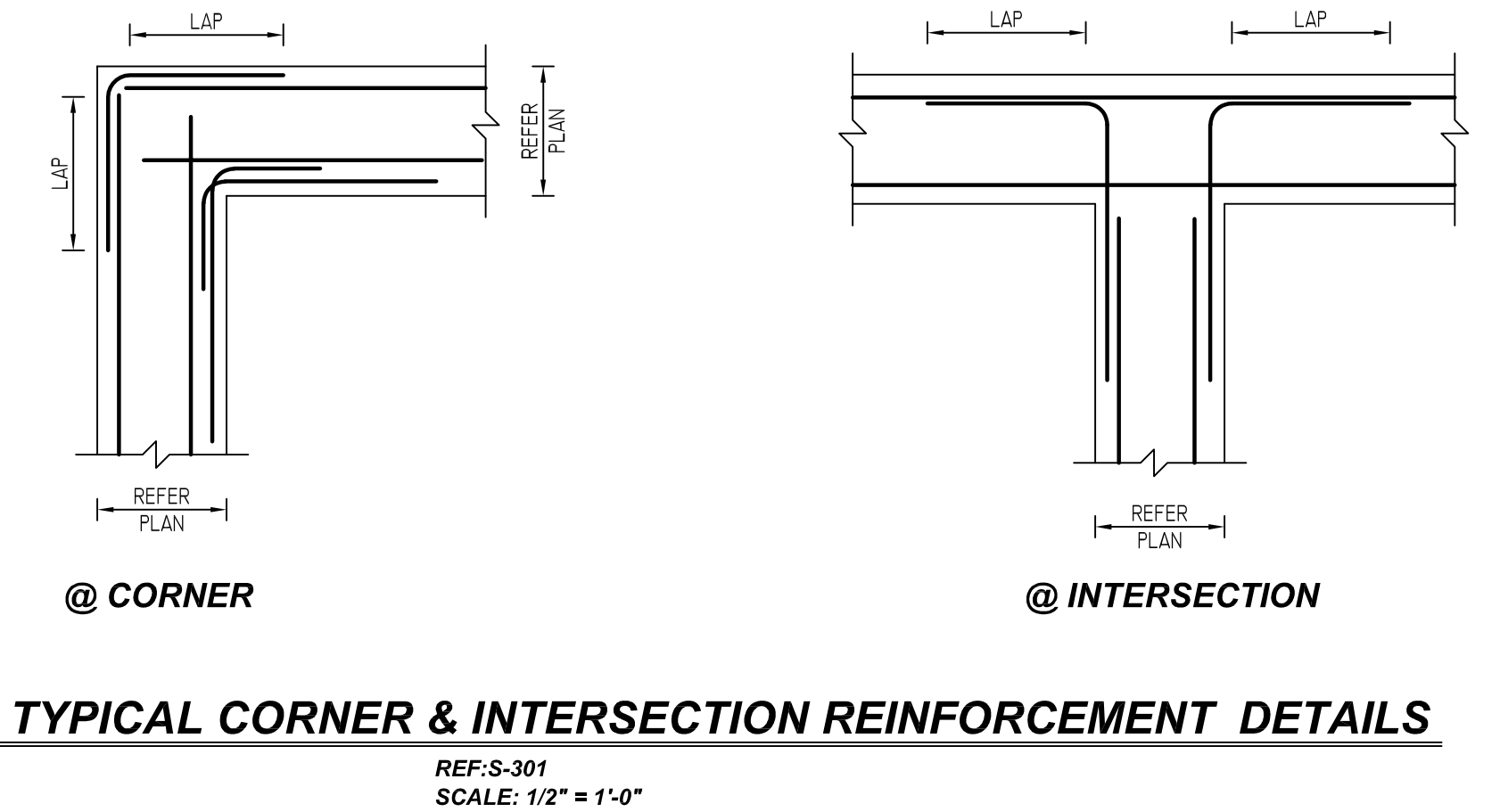
GRADE	A615/60(UNO)		
PREFIX	A		
BAR LIST NOS.			
REV	DESCRIPTION	ISSUED DATE	ISSUED FOR
0	IFA	08/12/2022	APPROVAL
STRUCTURE	AREA 4 ADDITION-CONTINUOUS FOOTING REINFORCEMENT DETAILS		
FLOOR	FOUNDATION		
JOB NO	-		
CUSTOMER	GRADE INDUSTRIAL		
JOB	VAILS GATE ELEMENTARY		
LOCATION	400 OLD FORGE HILL ROAD, NEW WINDSOR, NY 12553		
DRAWN	DATE	CONTROL CODE	DWG. NO.
MRS	08/12/2022	-	R01



TYPICAL STEB FOOTING REINFORCEMENT DETAILS



TYPICAL CORNER & INTERSECTION REINFORCEMENT DETAILS



TYPICAL REINFORCING BAR CLEARANCE TABLE

LOCATION	MIN. COVER
FOOTING SIDES	3" CLR

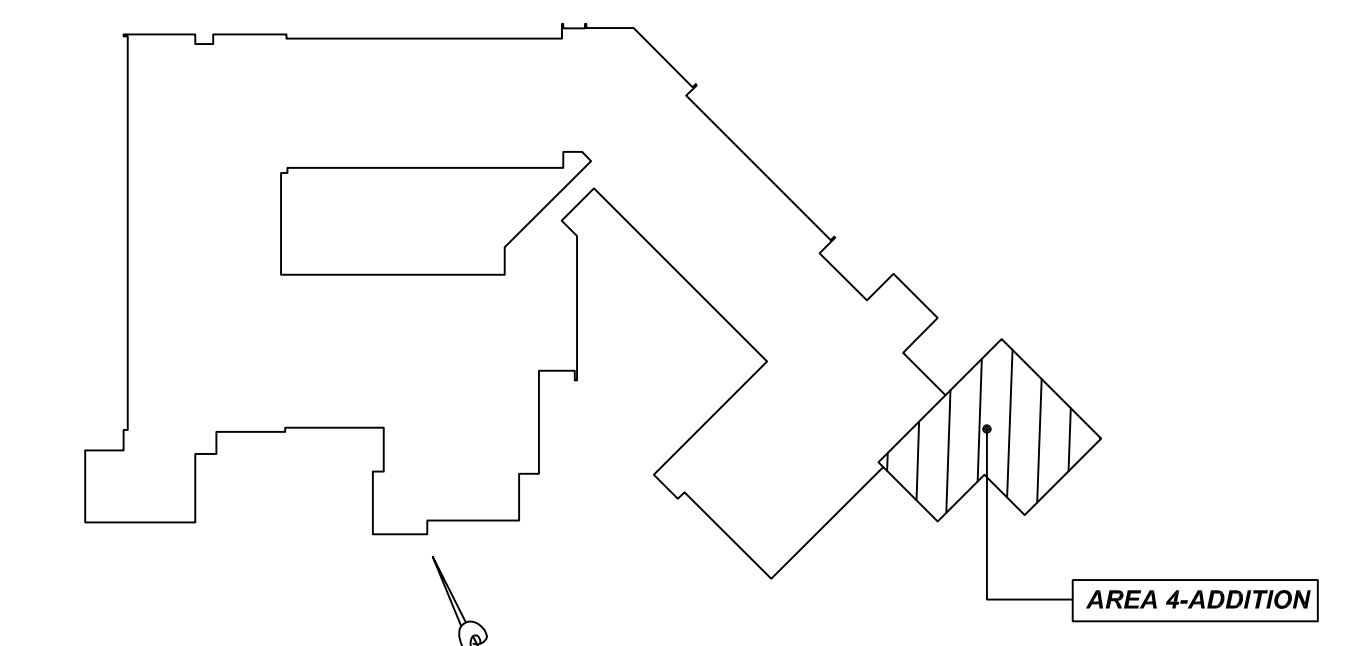
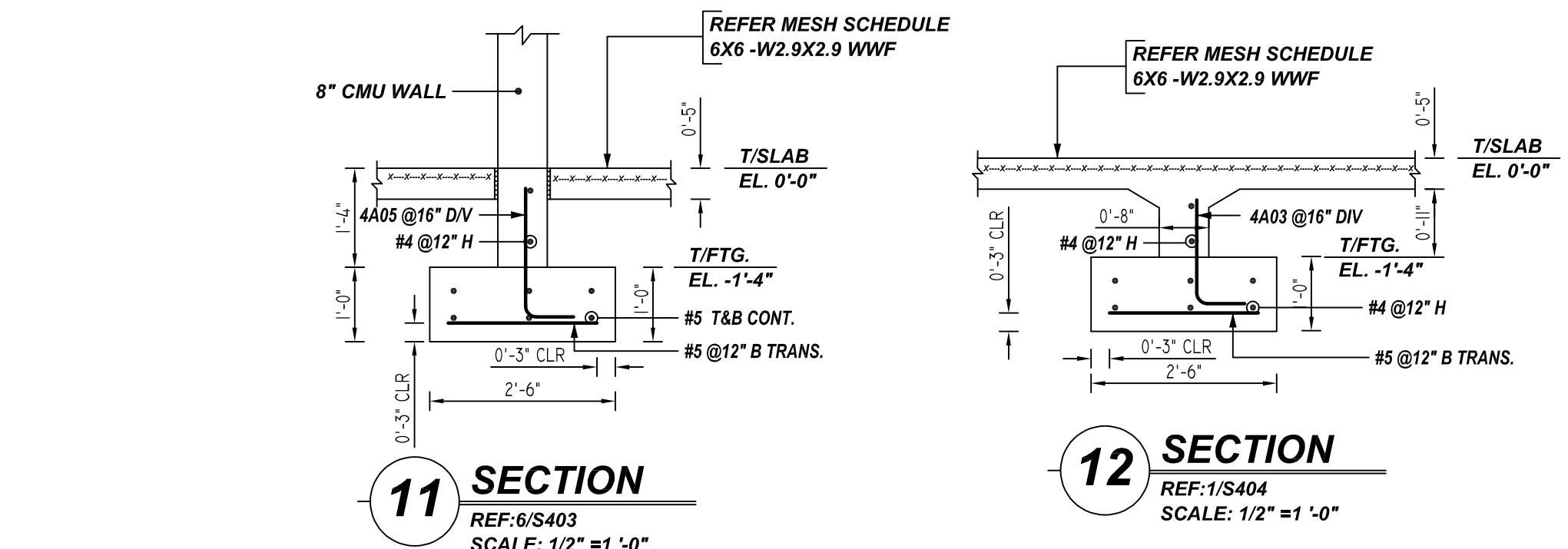
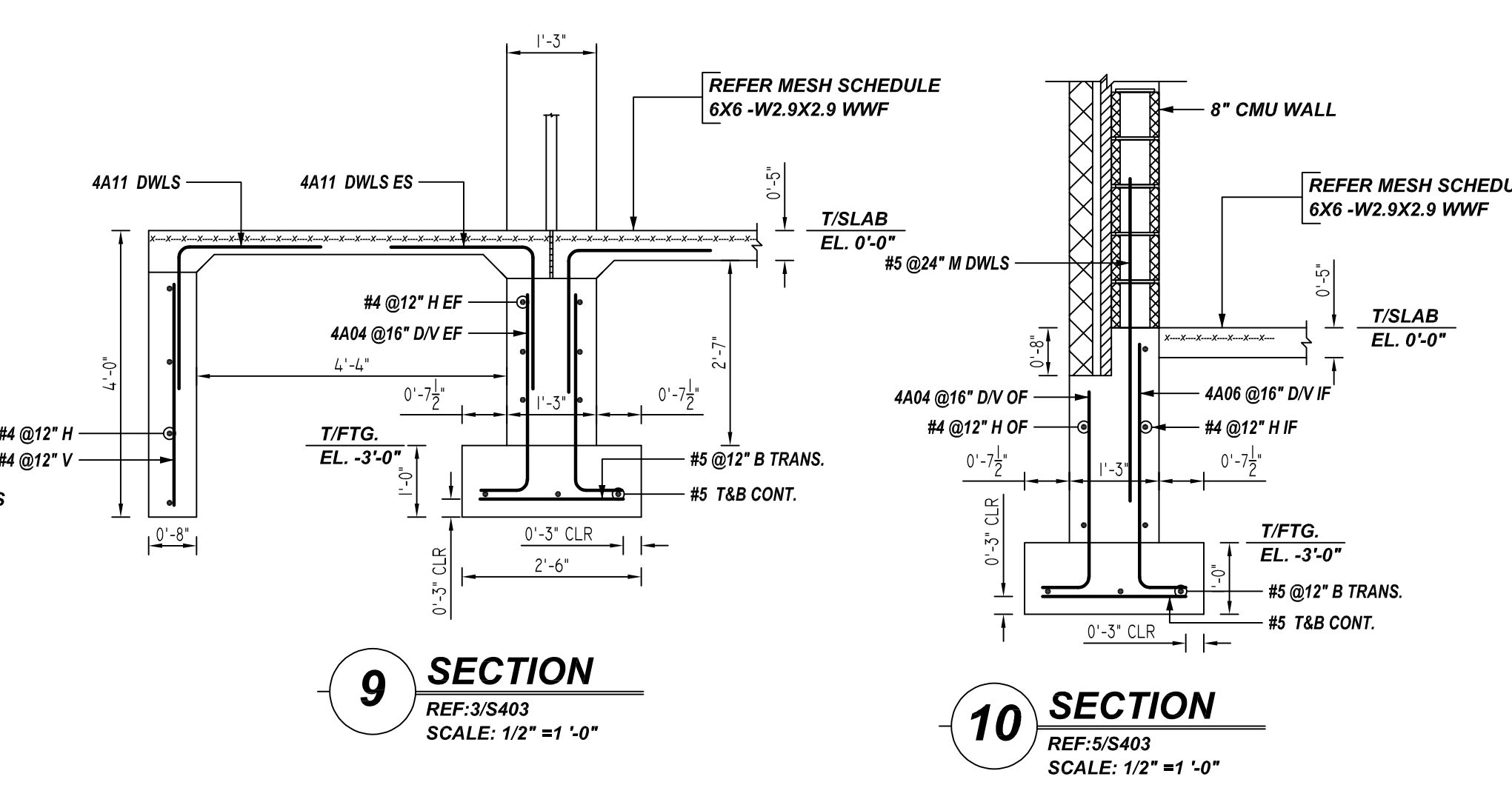
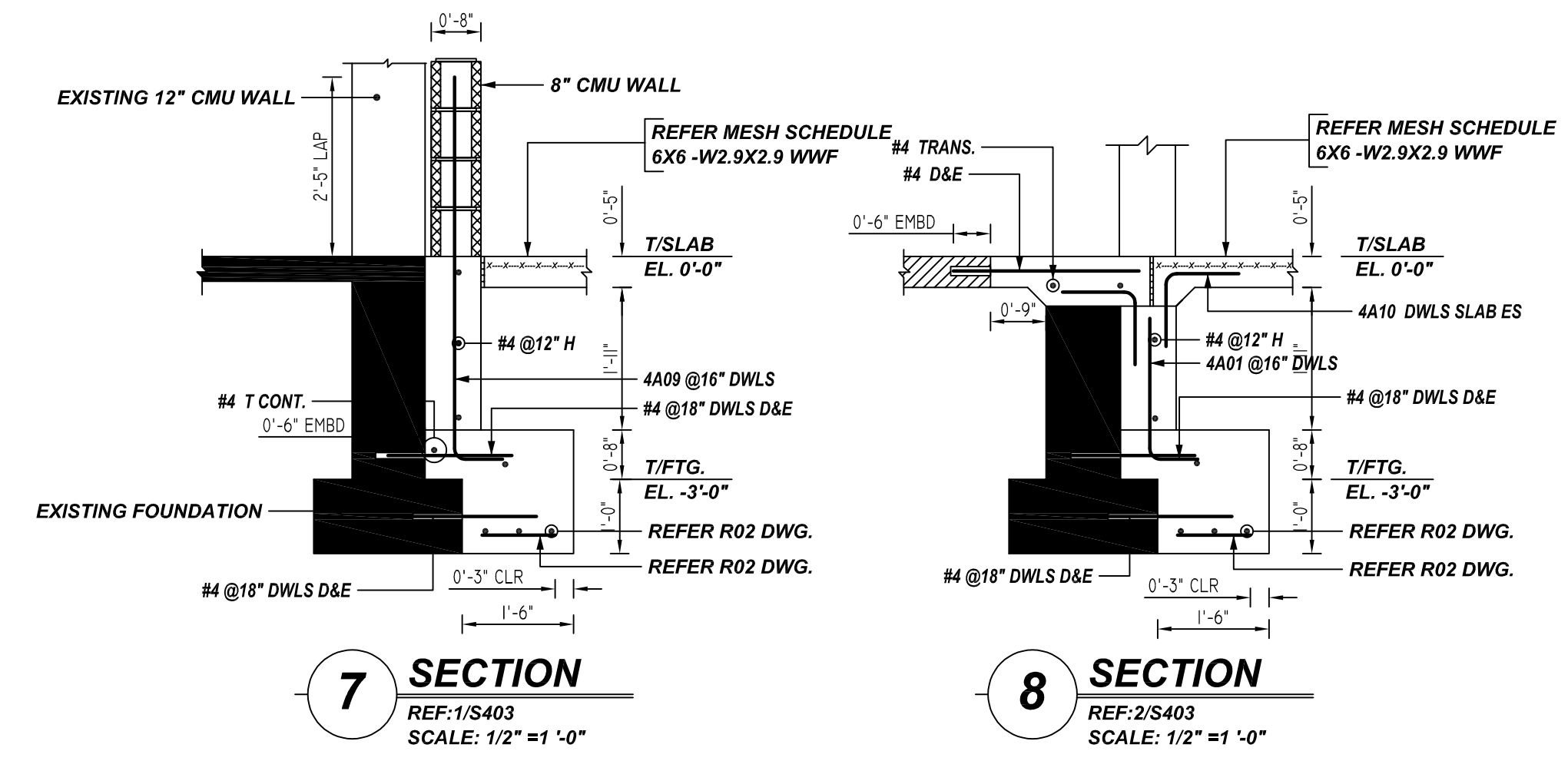
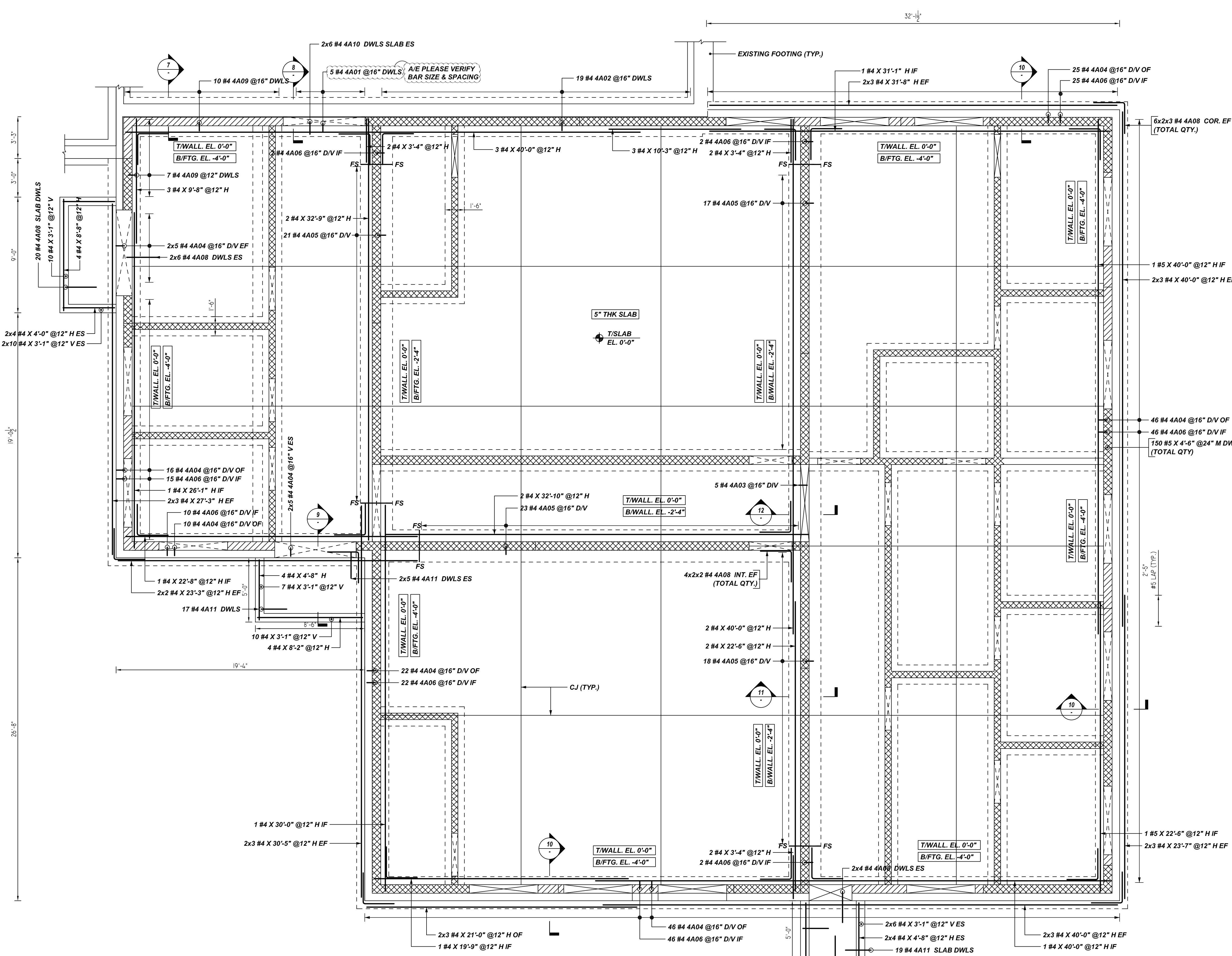
**ALL BARS IN THIS DRAWING
ASTM A615 GRADE 60
BLACK UNCOATED**

LAP SCHEDULE

3000 PSI

BAR #	LENGTH
#3	22"
#4	29"
#5	36"
#6	43"
#7	63"
#8	72"
#9	81"
#10	91"
#11	101"

GRADE	A615/60(UNO)		
PREFIX	A		
BAR LIST NOS.			
REV	DESCRIPTION	ISSUED DATE	ISSUED FOR
0	IFA	08/12/2022	APPROVAL
STRUCTURE	AREA 4 ADDITION-CONTINUOUS		
FLOOR	FOUNDATION		
JOB NO	-		
CUSTOMER	GRADE INDUSTRIAL		
JOB	VAILS GATE ELEMENTARY		
LOCATION	400 OLD FORGE HILL ROAD, NEW WINDSOR, NY 12553		
DRAWN	DATE	CONTROL CODE	DWG. NO.
MRS	08/12/2022	-	R02



Bar No.	Qty	Size	Total Length	Type	X	Y	Z	W	V	U	T	S	R	Q	P	O	N	M	L	K	J	I	H	G	F	E	D	C	B	A
4A01	3	#4	2'-7"	2	0'-8"	1'-11"																								
4A02	19	#4	3'-3"	2	0'-8"	2'-7"																								
4A03	3	#4	2'-1"	2	0'-8"	1'-5"																								
4A04	188	#4	2'-5"	2	0'-8"	2'-9"																								
4A05	79	#4	2'-5"	2	0'-8"	1'-9"																								
4A06	176	#4	4'-1"	2	0'-8"	3'-5"																								
4A08	80	#4	4'-10"	17	2'-5"	2'-5"																								
4A09	17	#4	5'-10"	2	0'-8"	5'-2"																								
4A10	12	#4	2'-0"	17	1'-0"	1'-0"																								
4A11	48	#4	4'-0"	17	2'-0"	2'-0"																								

AREA 4 ADDITION- FOUNDATION WALL REINFORCEMENT DETAILS
 REF: S202
 SCALE: 1/4" = 1'-0"

LOCATION	MIN. COVER
WALL	2" CLR

**ALL BARS IN THIS DRAWING
 ASTM A615 GRADE 60
 BLACK UNCOATED**

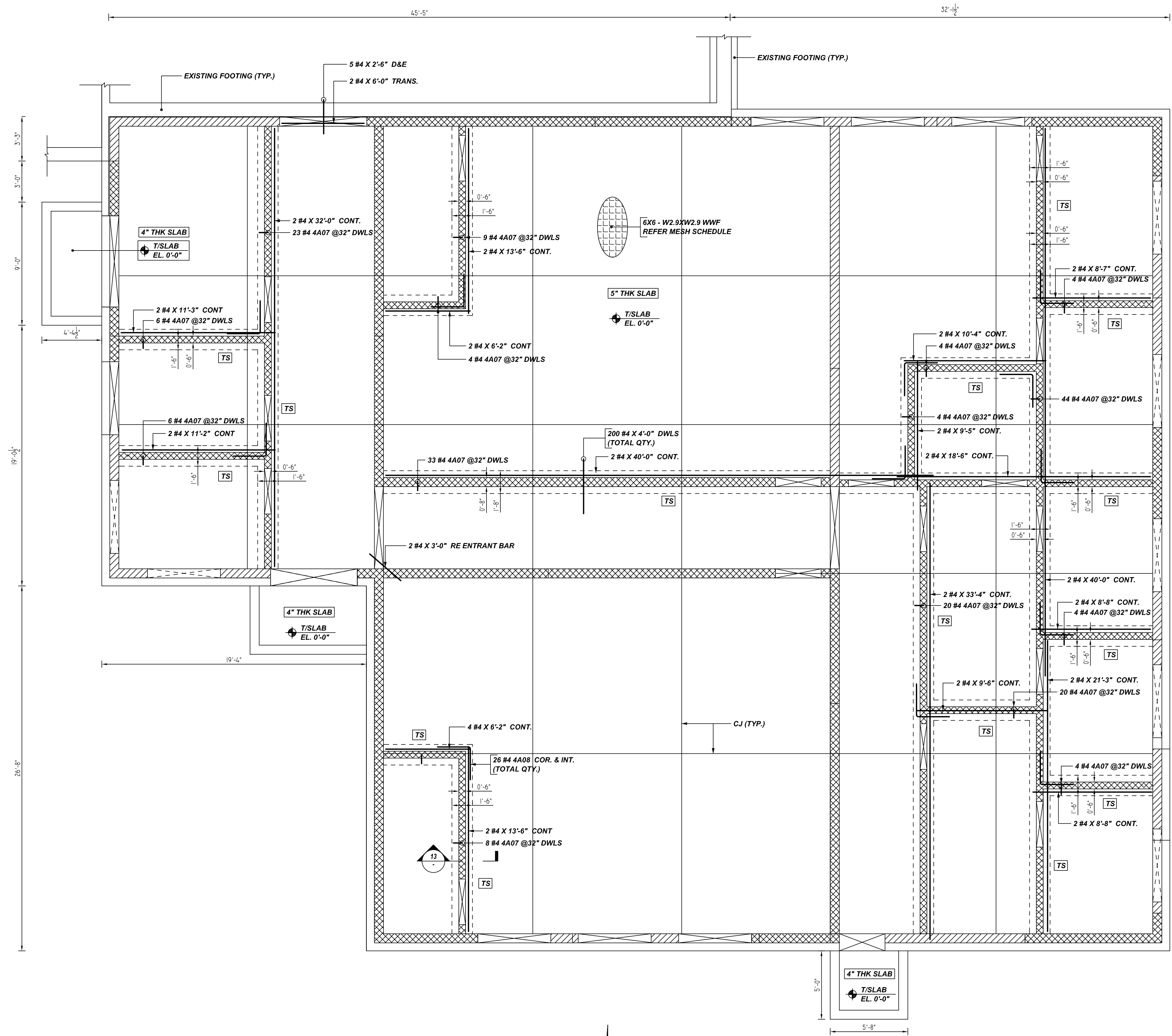
LAP SCHEDULE

3000 PSI

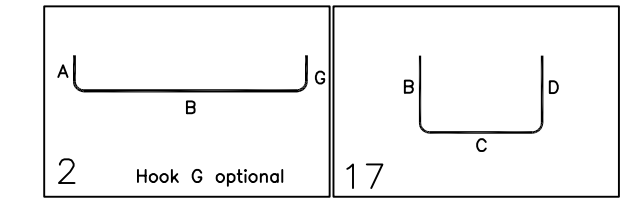
BAR #	LENGTH
#3	22"
#4	29"
#5	36"
#6	43"
#7	63"
#8	72"
#9	81"
#10	91"
#11	101"

FOR APPROVAL

GRADE	A615/60(UNO)		
PREFIX	A		
BAR LIST NOS.			
REV	DESCRIPTION	ISSUED DATE	ISSUED FOR
0	IFA	08/12/2022	APPROVAL
STRUCTURE	FOUNDATION WALL REINFORCEMENT DETAILS		
FLOOR	FOUNDATION		
JOB NO.			
CUSTOMER	GRADE INDUSTRIAL		
JOB	VALES GATE ELEMENTARY		
LOCATION	400 OLD FORGE HILL ROAD, NEW WINDSOR, NY 12553		
DRAWN	DATE	CONTROL CODE	DWG. NO.
MRS	08/12/2022	-	R03

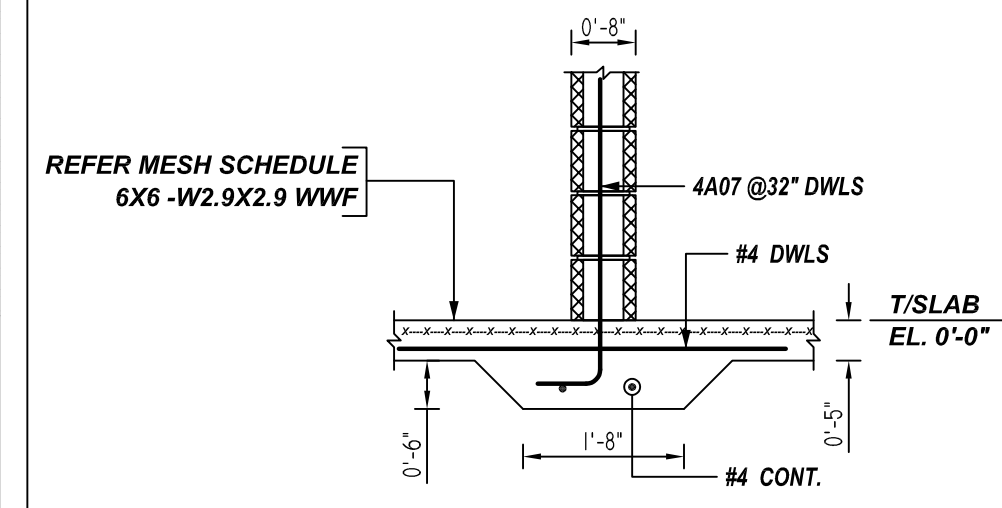


Bar Mark	Qty	Size	Total Length	Type	X	Y	BENDING DETAILS													
4A07	193	#4	3-107	2	0'-8"	3'-2"														
4A08	26	#4	4-107	17	0'-8"	2'-5"														



MESH DETAILS					
S. NO	ELEMENT	MESH SIZE	SHEETS	AREA	REMARK
1	5" THK SLAB ON GRADE	6x6 - W2.9XW2.9 WWF	40	4053	8'-0" X 15'-0" SHEET SIZE (15% LAP ADDED)

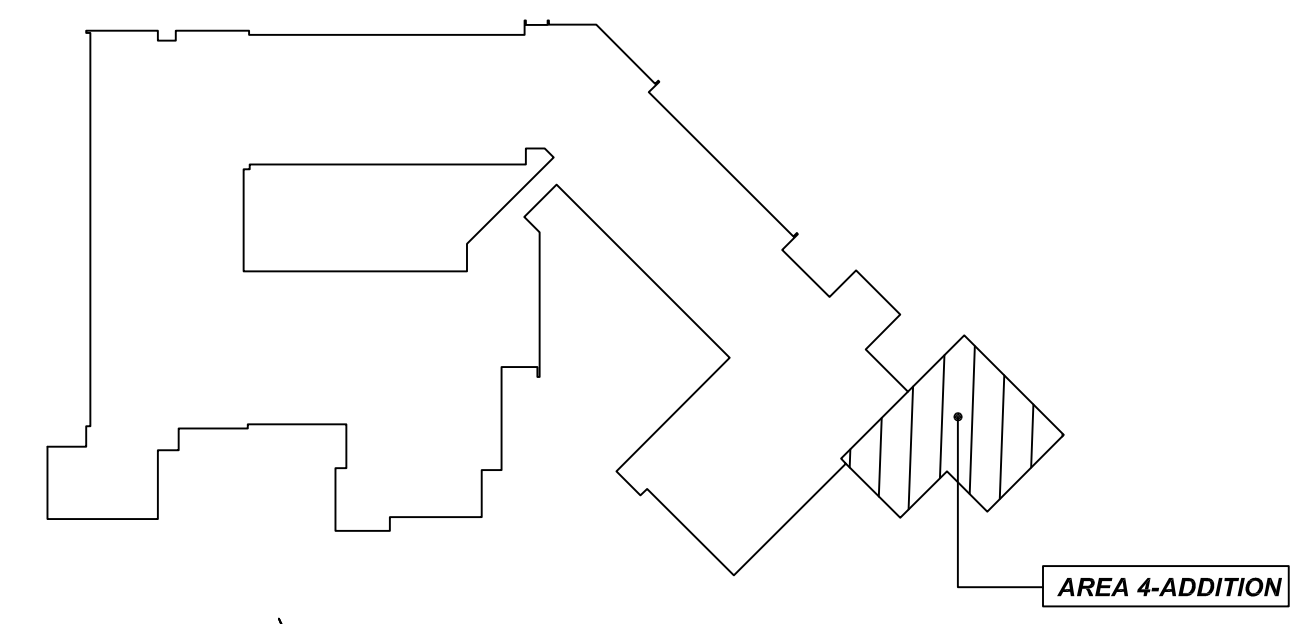
ACCESSORIES DETAILS					
S. NO	ELEMENT	DESCRIPTION	PCS	LFT	REMARK
1	5" THK SOG	2-1/2" HT CHC @ 4'-0" C/C	-	1021	FOR MESH SUPPORT (@ BOTTOM)



13 SECTION
REF: 9/S802
SCALE: 1/2" = 1'-0"

LEGEND:

	8" CMU BEARING WALL
	8" CMU SHEAR WALL
	THICKENED SLAB



KEY PLAN
REF: NTS
SCALE: NTS.

AREA 4 - THICKENED SLAB REINFORCEMENT DETAILS
REF: S202
SCALE: 1/4" = 1'-0"

TYPICAL REINFORCING BAR CLEARANCE TABLE	
LOCATION	MIN. COVER
SLAB SIDES	2" CLR

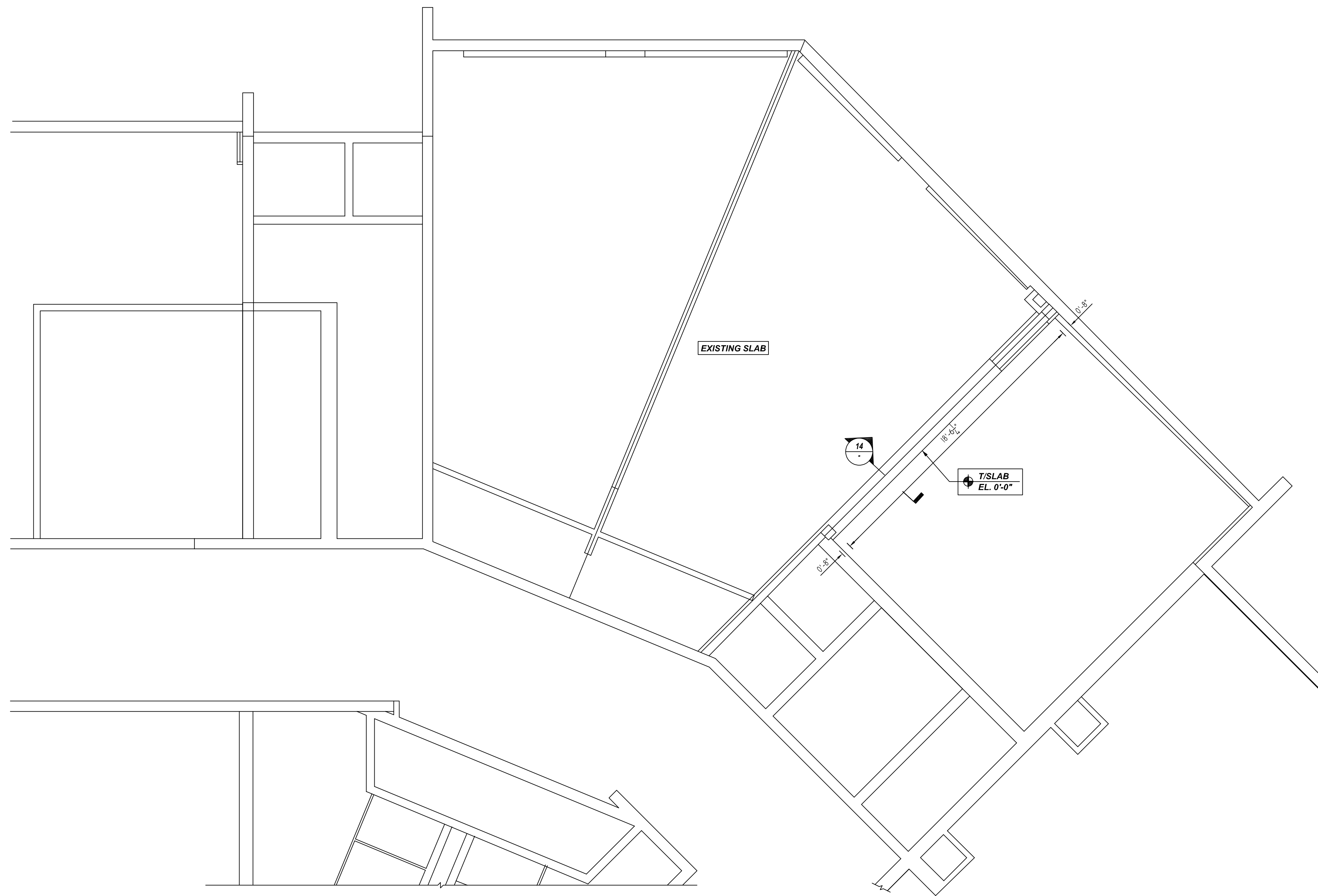
**ALL BARS IN THIS DRAWING
ASTM A615 GRADE 60
BLACK UNCOATED**

LAP SCHEDULE
3000 PSI

BAR #	LENGTH
#3	22"
#4	29"
#5	36"
#6	43"
#7	63"
#8	72"
#9	81"
#10	91"
#11	101"

FOR APPROVAL

GRADE	A615/60(UNO)			STRUCTURE	AREA 4-THICKENED SLAB REINFORCEMENT DETAILS
PREFIX	A			FLOOR	FOUNDATION
BAR LIST NOS.				JOB NO	
REV	DESCRIPTION	ISSUED DATE	ISSUED FOR	CUSTOMER	GRADE INDUSTRIAL
0	IFA	08/12/2022	APPROVAL	JOB	YAILS GATE ELEMENTARY
				LOCATION	400 OLD FORGE HILL ROAD, NEW WINDSOR, NY 12553
				DRAWN	DATE
				MRS	08/12/2022
				CONTROL CODE	
				DWG. NO.	R04



MESH DETAILS					
S. NO	ELEMENT	MESH SIZE	SHEETS	AREA	REMARK
1	3" THK SLAB ON GRADE	6X6-W2.9XW2.9WWF	4	300 SQ.FT	8'-0" X 15'-0" SHEET SIZE (15% LAP ADDED)

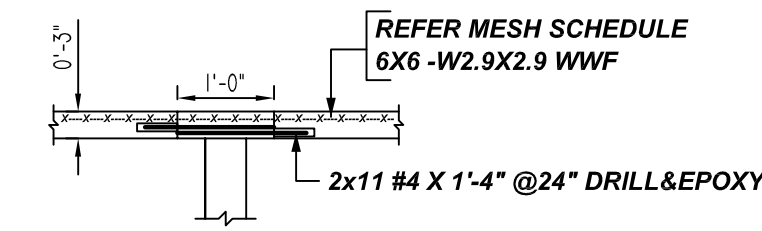
LAP SCHEDULE

3000 PSI

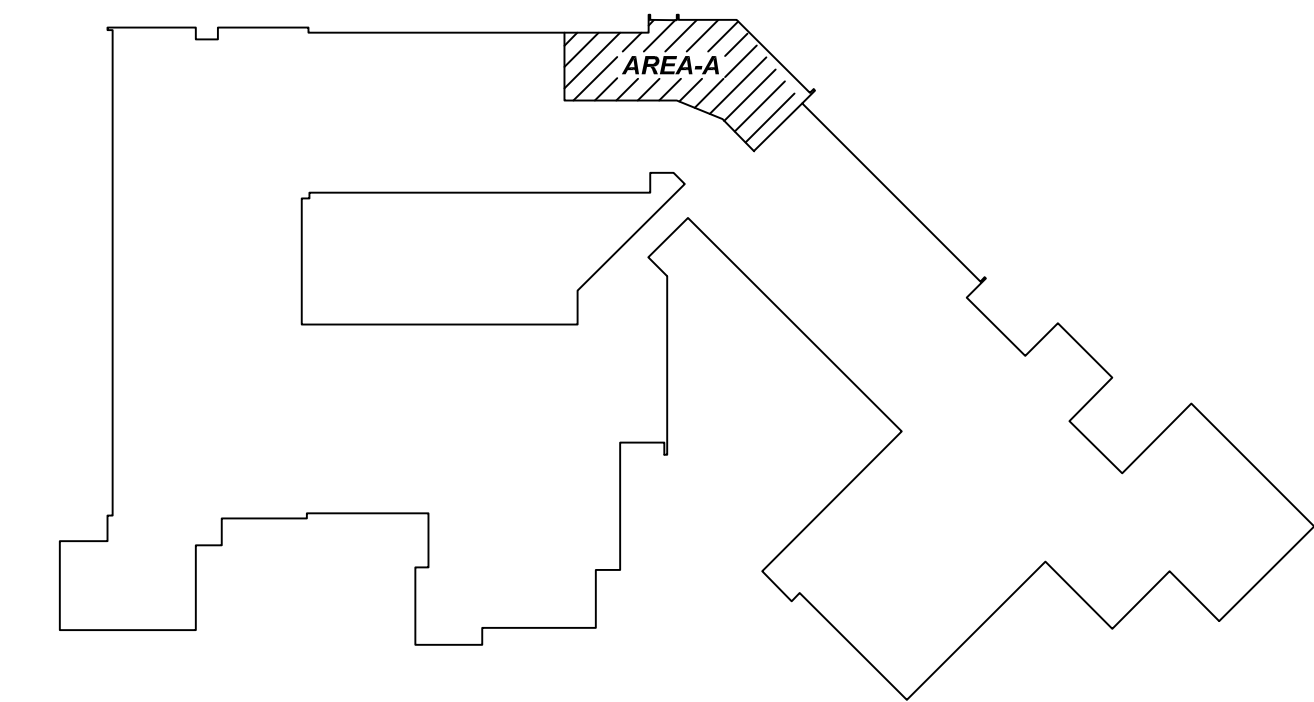
BAR #	LENGTH
#3	22"
#4	29"
#5	36"
#6	43"
#7	63"
#8	72"
#9	81"
#10	91"
#11	101"

TYPICAL REINFORCING BAR CLEARANCE TABLE	
LOCATION	MIN. COVER
SLAB TOP & SIDE	2" CLR

**ALL BARS IN THIS DRAWING
ASTM A615 GRADE 60
BLACK UNCOATED**



14 SECTION
REF: S201
SCALE: 1/2" = 1'-0"



KEY PLAN

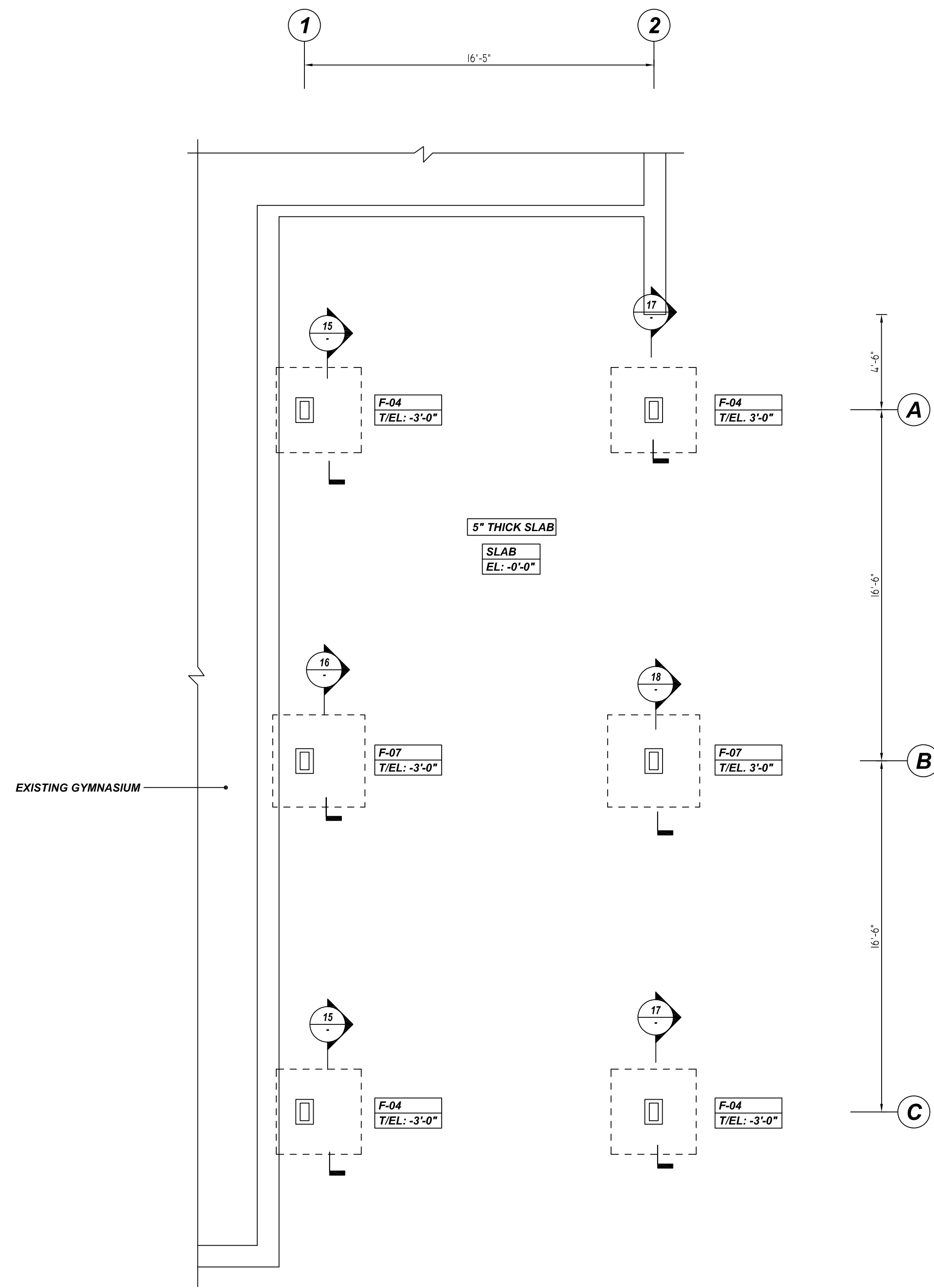
REF: S201
SCALE: NTS

PARTIAL PLAN - AREA A REINFORCEMENT DETAILS

REF: S201
SCALE: 1/4" = 1'-0"

FOR APPROVAL

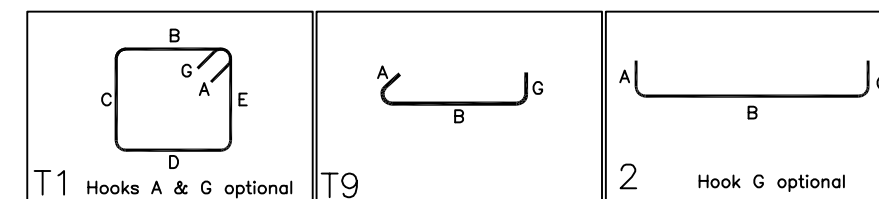
GRADE	A615/60(UNO)			STRUCTURE	PARTIAL PLAN - AREA A	
PREFIX	A					FOUNDATION
BAR LIST NOS.						
REV	DESCRIPTION	ISSUED DATE	ISSUED FOR	FLOOR		
0	IFA	08/12/2022	APPROVAL			
				JOB NO		
				CUSTOMER	GRADE INDUSTRIAL	
				JOB	VAILS GATE ELEMENTARY	
				LOCATION	400 OLD FORGE HILL ROAD, NEW WINDSOR, NY 12553	
	DRAWN	DATE	CONTROL CODE	DWG. NO.		
	MRS	08/12/2022	-	R05		



CANOPY FOUNDATION REINFORCEMENT DETAILS

REF: S204
SCALE: 1/4" = 1'-0"

Bar No.	Qty	Size	Total Length	Type	X	Y	Z	W	V	U	T	S	R	Q	P	O	N	M	L	K	J	I	H	G	F	E	D	C	B	A
3A01	27	#3	3'-11"	T1	0'-5 1/2"	0'-11"	0'-7"	0'-11"	0'-7"																					
3A02	21	#3	1'-4 1/2"	T9	0'-5 1/2"	0'-7"																								
3A03	27	#3	1'-10 1/2"	T9	0'-5 1/2"	0'-11"																								
3A04	18	#3	1'-3"	T9	0'-4"	0'-7"																								
3A05	12	#3	1'-7"	T9	0'-4"	0'-11"																								
3A06	12	#3	3'-8"	T1	0'-4"	0'-11"	0'-7"	0'-11"	0'-7"																					
4A02	15	#4	4'-11"	2	0'-10"	4'-11"																								
4A13	9	#4	5'-9"	2	0'-10"	4'-11"																								
5A01	24	#6	5'-10"	2	0'-10"	5'-0"																								
5A02	5	#5	3'-6"	2	0'-10"	2'-8"																								
5A03	8	#5	3'-2"	2	0'-10"	2'-4"																								



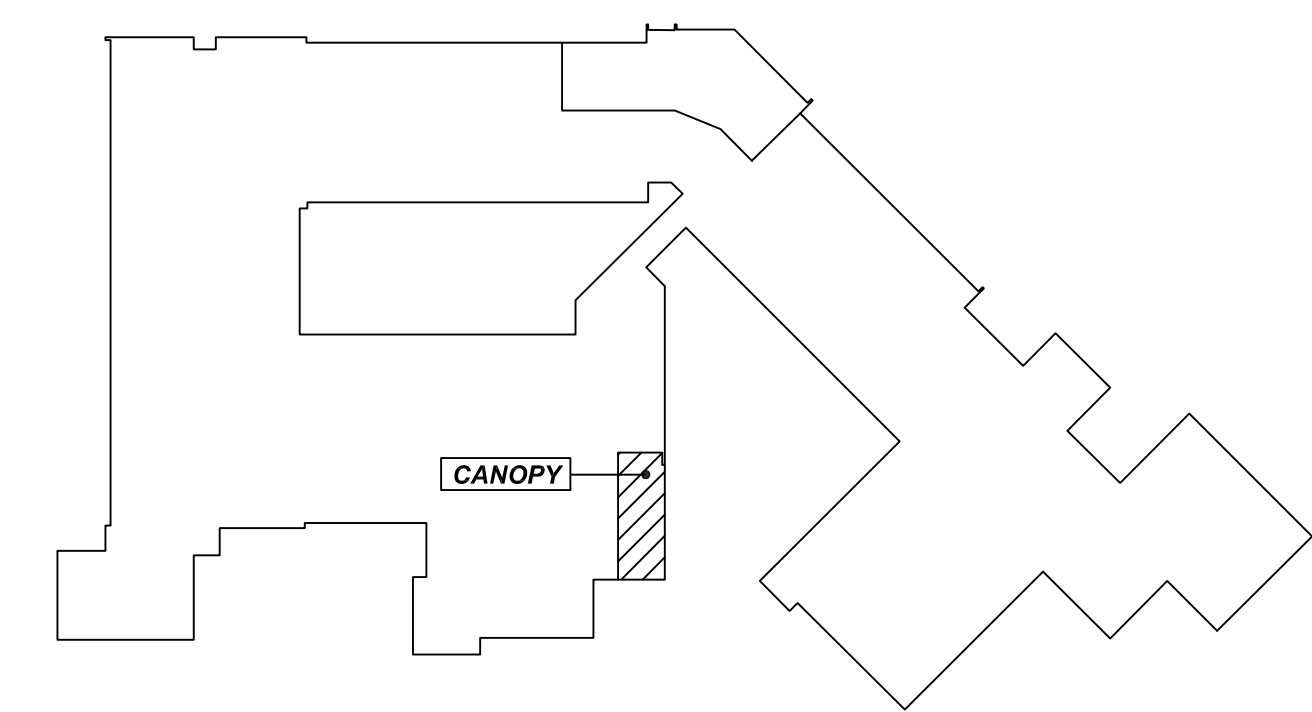
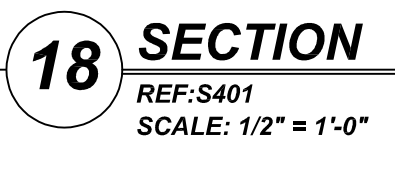
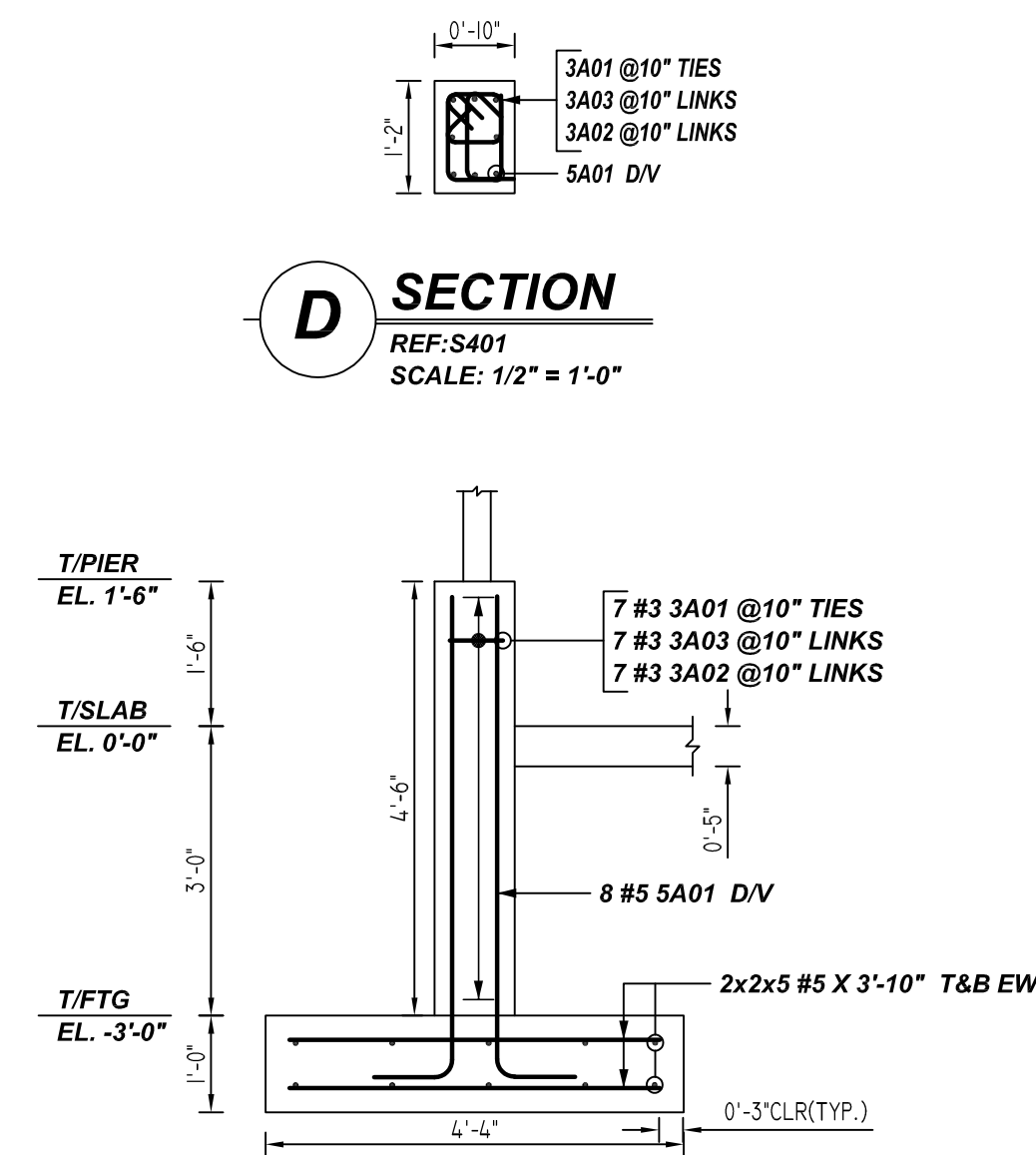
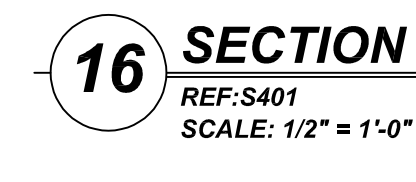
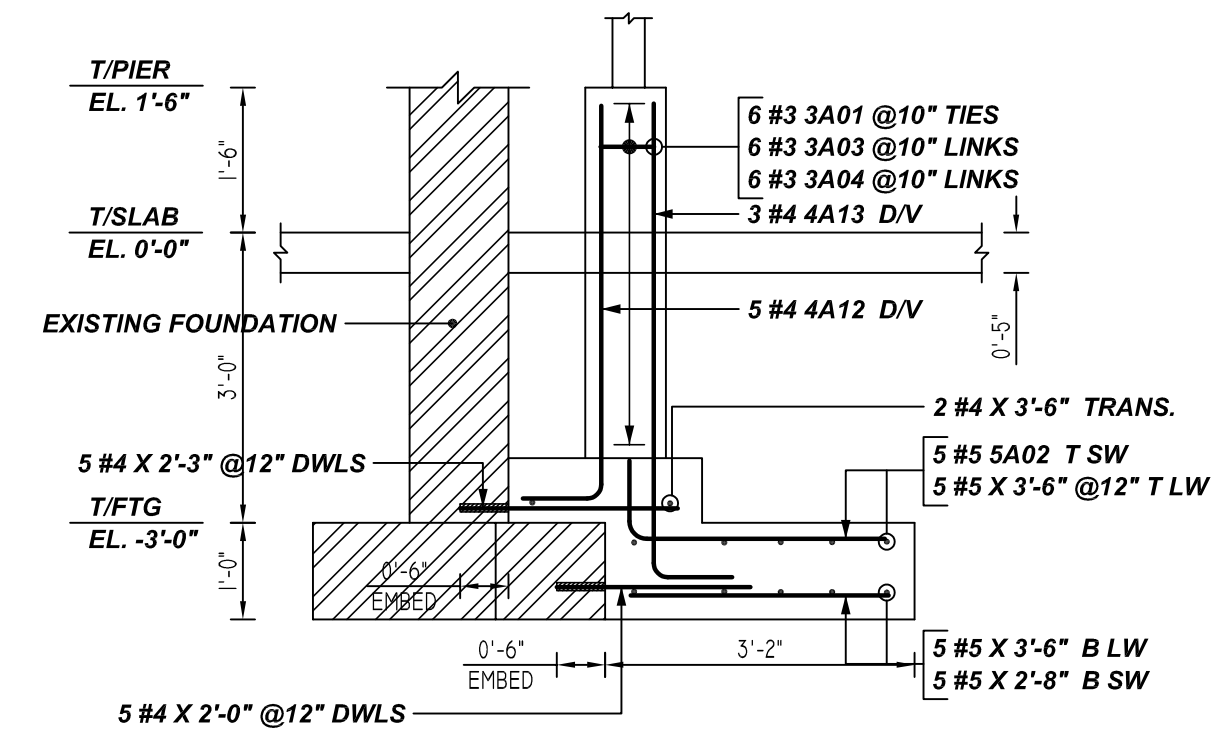
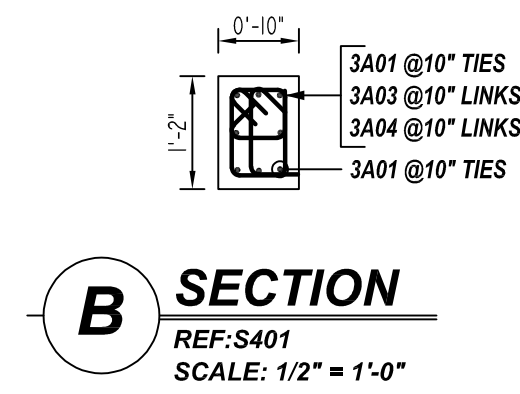
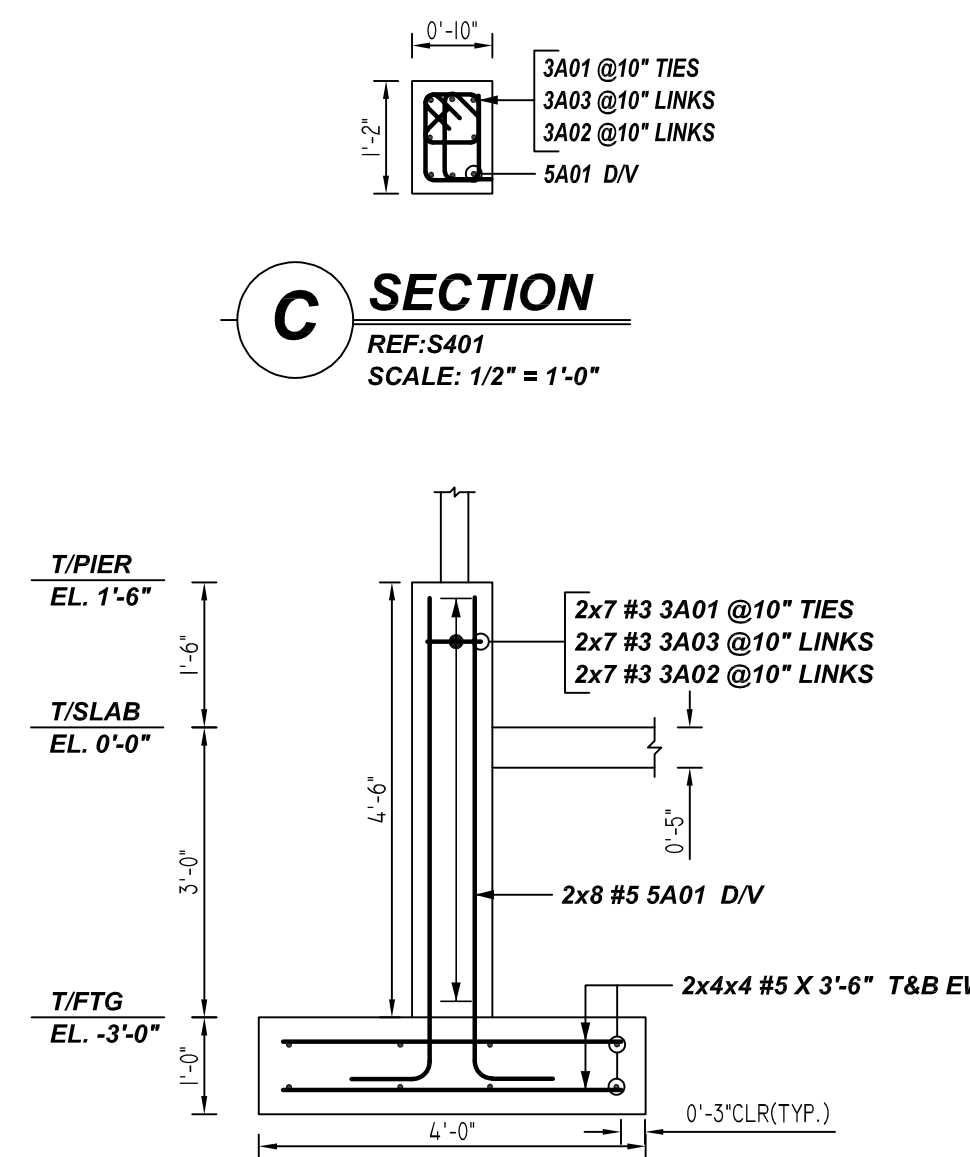
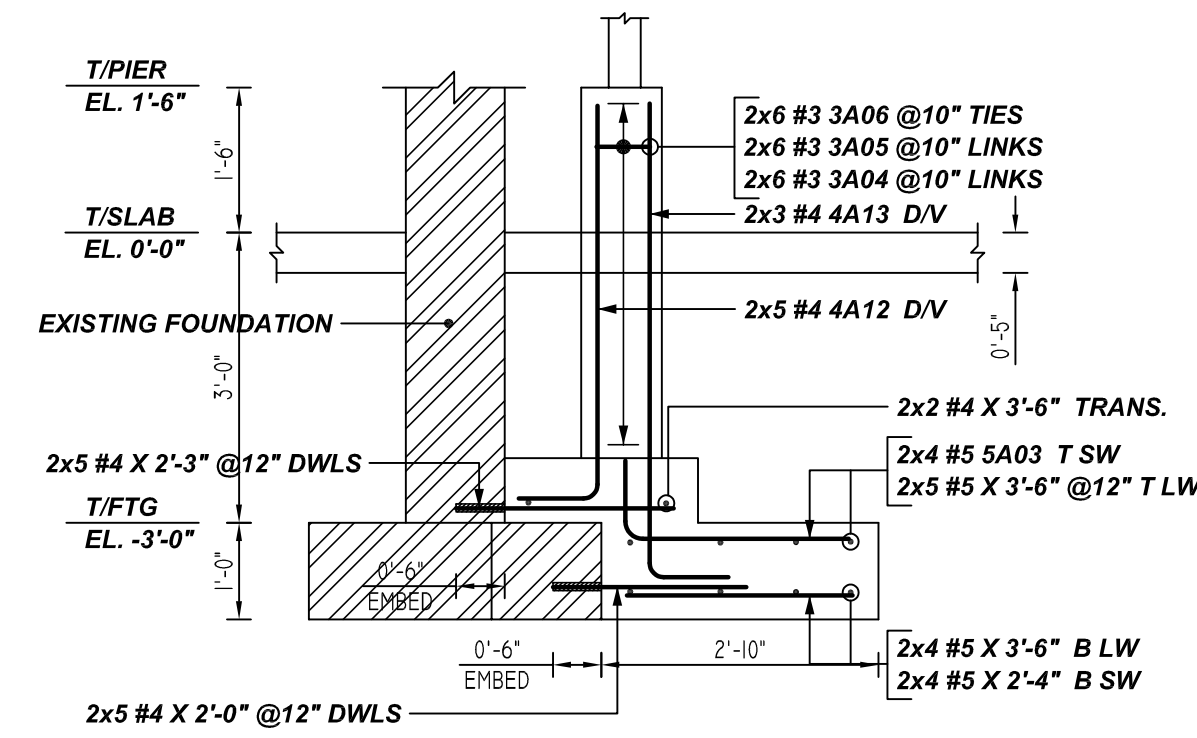
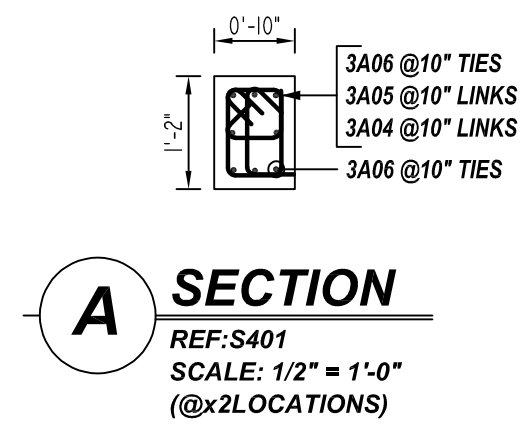
LAP SCHEDULE

3000 PSI

BAR #	LENGTH
#3	22"
#4	29"
#5	36"
#6	43"
#7	63"
#8	72"
#9	81"
#10	91"
#11	101"

TYPICAL REINFORCING BAR CLEARANCE TABLE	
LOCATION	MIN. COVER
FOUNDATION TOP	2" CLR
FOUNDATION BOTTOM	3" CLR

**ALL BARS IN THIS DRAWING
ASTM A615 GRADE 60
BLACK UNCOATED**



KEY PLAN

REF: S201
SCALE: NTS

GRADE	A615/60(UNO)		
PREFIX	A		
BAR LIST NOS.			
REV	DESCRIPTION	ISSUED DATE	ISSUED FOR
0	IFA	08/12/2022	APPROVAL
STRUCTURE	CANOPY FOUNDATION REINFORCEMENT DETAILS		
FLOOR	FOUNDATION		
JOB NO	-		
CUSTOMER	GRADE INDUSTRIAL		
JOB	VALS GATE ELEMENTARY		
LOCATION	400 OLD FORGE HILL ROAD, NEW WINDSOR, NY 12553		
DRAWN	DATE	CONTROL CODE	DWG. NO.
MRS	08/12/2022	-	R06