

FOR REINFORCEMENT DETAILS REFER TO FOUNDATION DRAWING
24" THICK MAT

8" THICK SLAB
WWF 4x4 - D4XD4
REFER MESH SCHEDULE

10" THICK SLAB
T/SLAB
EL. -0'-3"

FOR REINFORCEMENT DETAILS REFER TO DRAWING SHEET NO R08 & R09

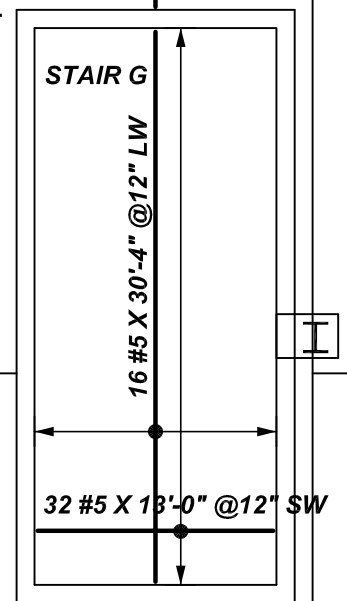
16" THICK SLAB
T/SLAB
EL. VARIES

12" THICK SLAB
T/SLAB
EL. -5'-1 1/2"

FOR REINFORCEMENT DETAILS REFER TO DRAWING SHEET NO R06

FOR CONTINUATION REINFORCEMENT DETAILS REFER TO DRAWING R06

FOR REINFORCEMENT DETAILS REFER TO DRAWING SHEET NO R06



**ALL BARS IN THIS DRAWING
ASTM A615 GRADE 60
BLACK UNCOATED**

LAP SCHEDULE

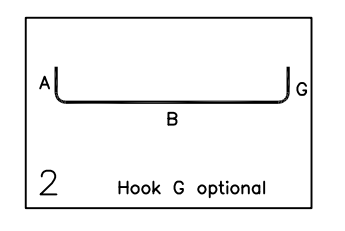
BAR#	LENGTHS
#3	15"
#4	20"
#5	26"
#6	31"
#7	66"
#8	76"
#9	85"
#10	96"
#11	106"

TYPICAL REINFORCING BAR CLEARANCE TABLE

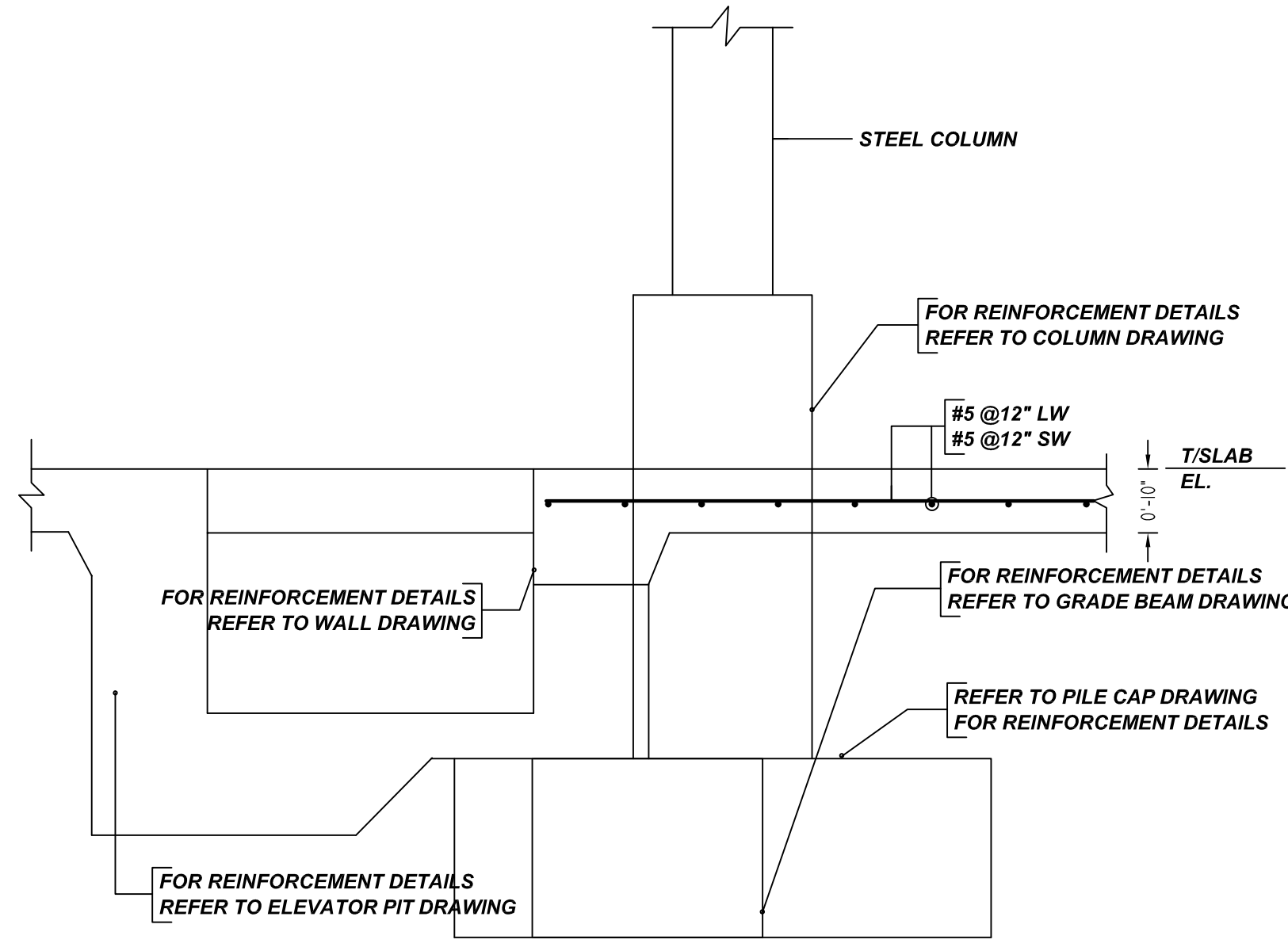
LOCATION	MIN. COVER
SLAB TOP & BOTTOM	1/2" CLR
SLAB EDGE	2" CLR

Release Number: R01

Bar Mark	Qty	Size	Total Length	Type	X	Y	Z	V	W	U	T	S	R	Q	P	O	N	M	L	K	J	I	H	G	F	E	D	C	B	A
4A02	84	#4	3'-4"	2	0'-8"	2'-8"																								

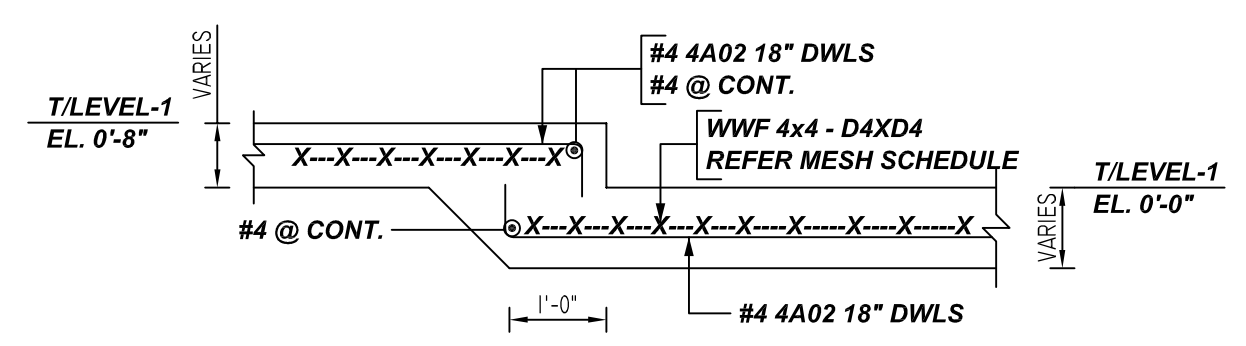


LEVEL 1 SLAB ON GRADE REINFORCEMENT DETAILS ZONE-1
REF: FO-111.01 TO FO-122.00 (02/07/2022)
SCALE: 3/32" = 1'-0"



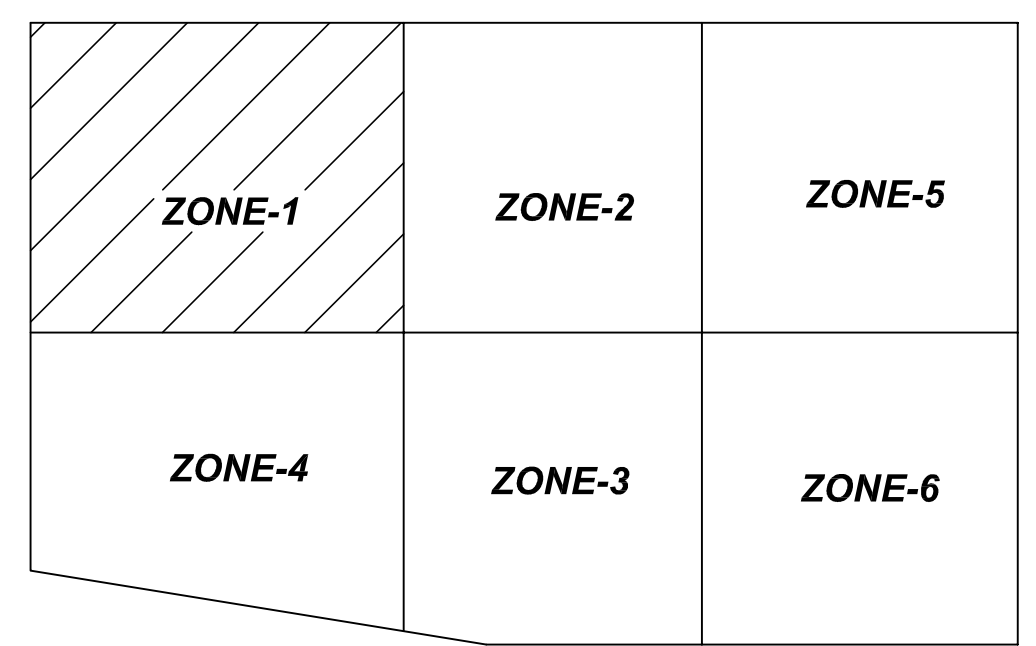
TYPICAL 10" THICK SLAB DETAILS

1 SECTION
REF: 1/FO-122.00 (02/07/2022)
SCALE: 1/2" = 1'-0"



TYPICAL SLAB DROP DETAILS

2 SECTION
REF: 1/FO-122.00 (02/07/2022)
SCALE: 1/2" = 1'-0"



AREA KEY PLAN
SCALE: NTS

FOR CONTINUATION REINFORCEMENT DETAILS REFER TO DRAWING R03 & R04

MATCH LINE B-B
MATCH LINE B-B

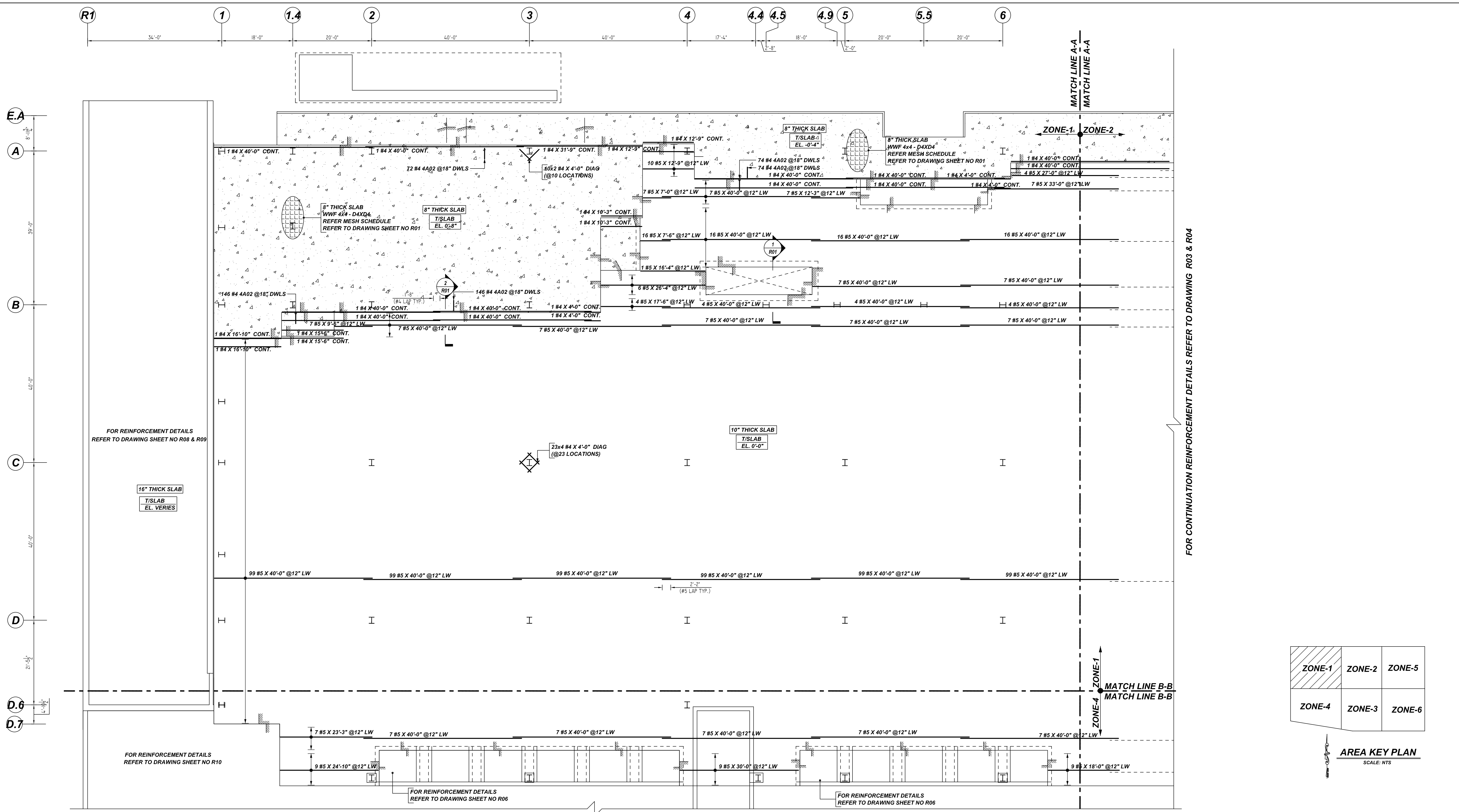
ACCESSORIES DETAILS

S. NO	ELEMENT	DESCRIPTION	PCS	LFT	REMARK
1	8" THK SOG	4" HT SB @ 4'-0" C/C	-	585	FOR MESH SUPPORT (@ BOTTOM)
2	10" THK SOG	5" HT IHC @ 4'-0" C/C	1900	-	FOR 10" THK. SOG (@ BAR SUPPORT)

MESH DETAILS

S. NO	ELEMENT	MESH SIZE	SHEETS	AREA	REMARK
1	8" THK SLAB ON GRADE	WWF 4x4 - D4XD4	50	6975 SQ.FT	8'-0 X 20'-0" SHEET SIZE (15% LAP ADDED)

GRADE	A615/60(UNO)				
PREFIX	A				
BAR LIST NOS.	-				
REV	DESCRIPTION	ISSUED DATE	ISSUED FOR	STRUCTURE	SLAB ON GRADE REINFORCEMENT DETAILS
1	IFA	07/29/2022	APPROVAL	FLOOR	LEVEL 1 - ZONE-1
				JOB NO	-
				CUSTOMER	CONCRETE COURSES CONCEPTS
				JOB	23-30 BORDEN AVE.
				LOCATION	LONG ISLAND CITY, NY 11101
				DRAWN	DATE
				MRS	07/29/2022
				CONTROL CODE	-
				DWG. NO.	R01



FOR REINFORCEMENT DETAILS REFER TO DRAWING SHEET NO R08 & R09

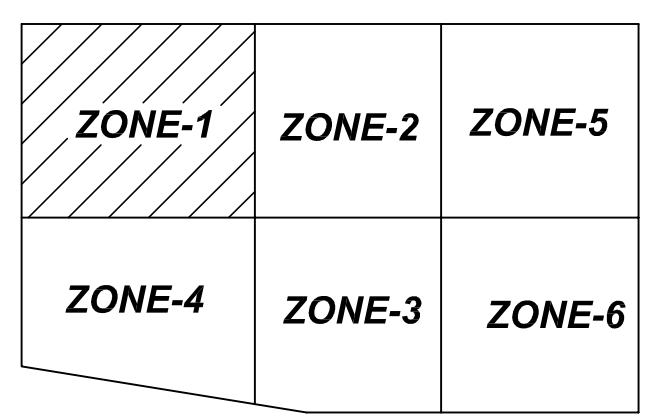
16" THICK SLAB
T/SLAB
EL. VARIES

FOR REINFORCEMENT DETAILS REFER TO DRAWING SHEET NO R10

FOR REINFORCEMENT DETAILS REFER TO DRAWING SHEET NO R06

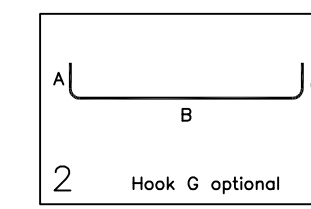
FOR CONTINUATION REINFORCEMENT DETAILS REFER TO DRAWING R06

FOR CONTINUATION REINFORCEMENT DETAILS REFER TO DRAWING R03 & R04



AREA KEY PLAN
SCALE: NTS

Bar Mark	Qty	Size	Total Length	Type	X	Y	Z	W	V	U	T	S	R	Q	P	O	N	M	L	K	J	I	H	G	F	E	D	C	B	A
4A02	312	#4	3'-11"	2	0'-8"	2'-8"																								



(@ LONG WAY REINFORCEMENT DETAILS)
LEVEL 1 SLAB ON GRADE REINFORCEMENT DETAILS ZONE-1
REF: PO-111.01 TO PO-126.00 (05/26/2022)
SCALE: 3/32" = 1'-0"

**ALL BARS IN THIS DRAWING
ASTM A615 GRADE 60
BLACK UNCOATED**

LOCATION	MIN. COVER
SLAB TOP & BOTTOM	1/2" CLR
SLAB EDGE	2" CLR

LAP SCHEDULE

BAR#	LENGTHS
#3	15"
#4	20"
#5	26"
#6	31"
#7	66"
#8	76"
#9	85"
#10	96"
#11	106"

GRADE	A615/60(UNO)		
PREFIX	A		
BAR LIST NOS.	-		
REV	DESCRIPTION	ISSUED DATE	ISSUED FOR
1	IFA	07/29/2022	APPROVAL
STRUCTURE	SLAB ON GRADE REINFORCEMENT DETAILS		
FLOOR	LEVEL 1 - ZONE-1		
JOB NO	-		
CUSTOMER	CONCRETE COURSES CONCEPTS		
JOB	23-30 BORDEN AVE.		
LOCATION	LONG ISLAND CITY, NY 11101		
DRAWN	DATE	CONTROL CODE	DWG. NO.
MRS	07/29/2022	-	R02

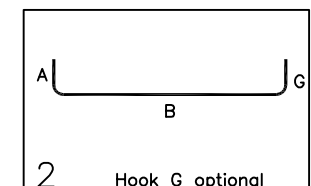
FOR CONTINUATION REINFORCEMENT DETAILS REFER TO DRAWING R01 & R02

FOR CONTINUATION REINFORCEMENT DETAILS REFER TO DRAWING R07

FOR CONTINUATION REINFORCEMENT DETAILS REFER TO DRAWING R05

LEVEL 1 SLAB ON GRADE REINFORCEMENT DETAILS ZONE-2
REF: FO-111.01 TO FO-126.00 (05/26/2022)
 SCALE: 3/32" = 1'-0"

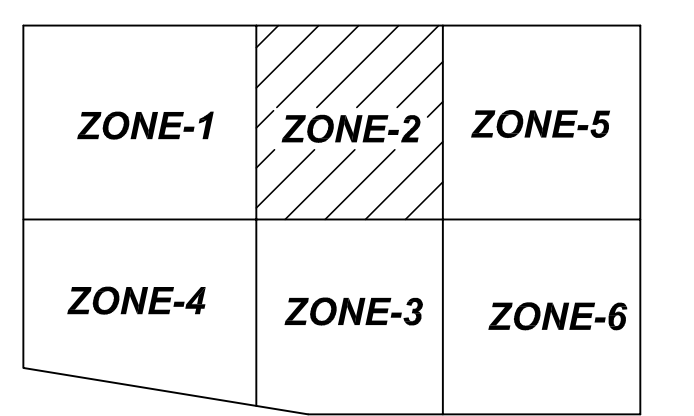
Bar Mark	Qty	Size	Total Length	Typ	X	Y	Z	W	V	U	T	S	R	Q	P	O	N	M	L	K	J	I	H	G	F	E	D	C	B	A
4#2	350	#4	3'-4"	2	0'-8"	2'-8"																								



LAP SCHEDULE

BAR#	LENGTHS
#3	15"
#4	20"
#5	26"
#6	31"
#7	66"
#8	76"
#9	85"
#10	96"
#11	106"

GRADE	A615/60(UNO)		
PREFIX	A		
BAR LIST NOS.	-		
REV	DESCRIPTION	ISSUED DATE	ISSUED FOR
1	IFA	07/29/2022	APPROVAL
STRUCTURE	SLAB ON GRADE REINFORCEMENT DETAILS		
FLOOR	LEVEL 1 - ZONE-2		
JOB NO	-		
CUSTOMER	CONCRETE COURSES CONCEPTS		
JOB	23-30 BORDEN AVE.		
LOCATION	LONG ISLAND CITY, NY 11101		
DRAWN	DATE	CONTROL CODE	DWG. NO.
MRS	07/29/2022	-	R04

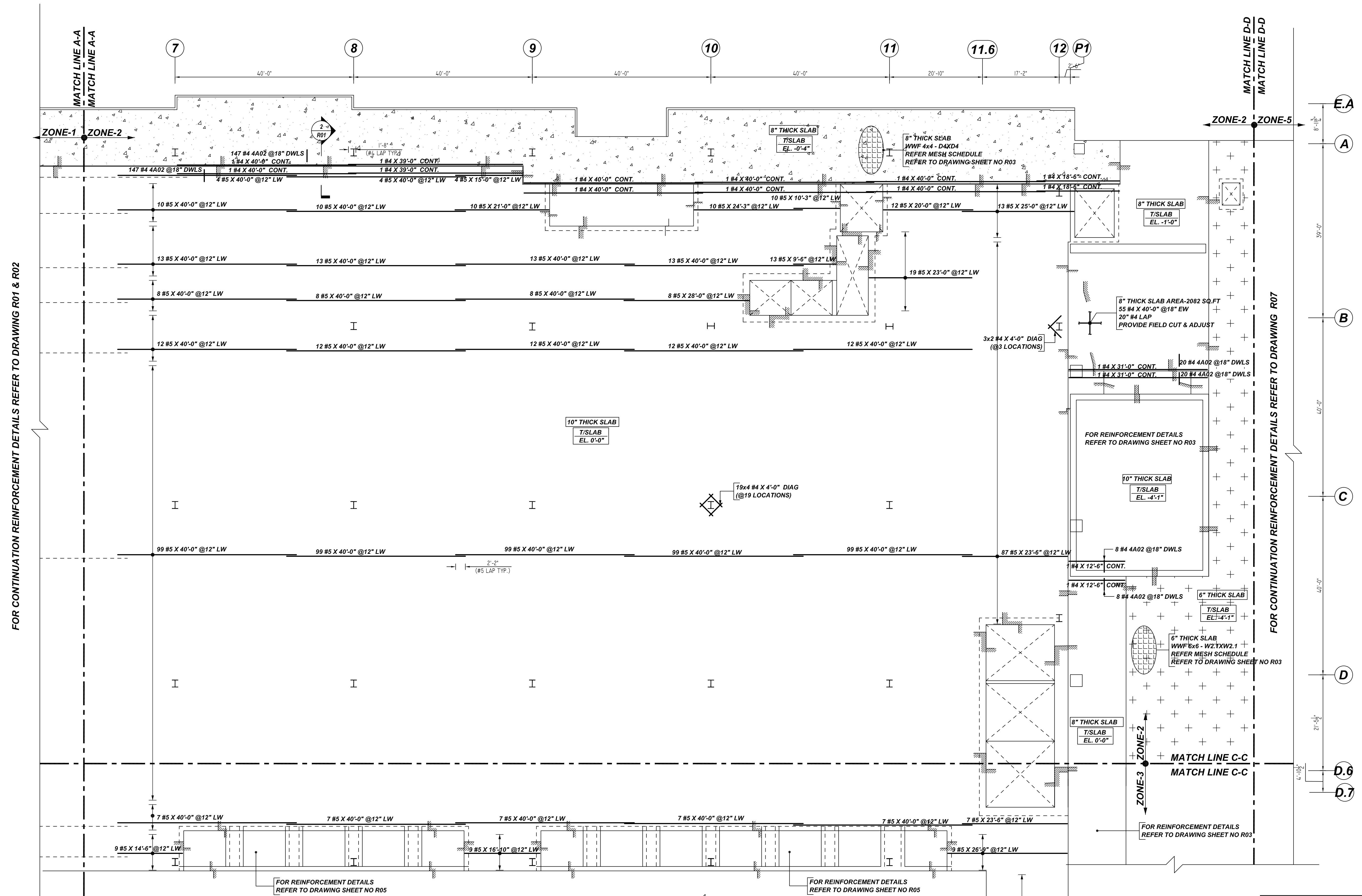


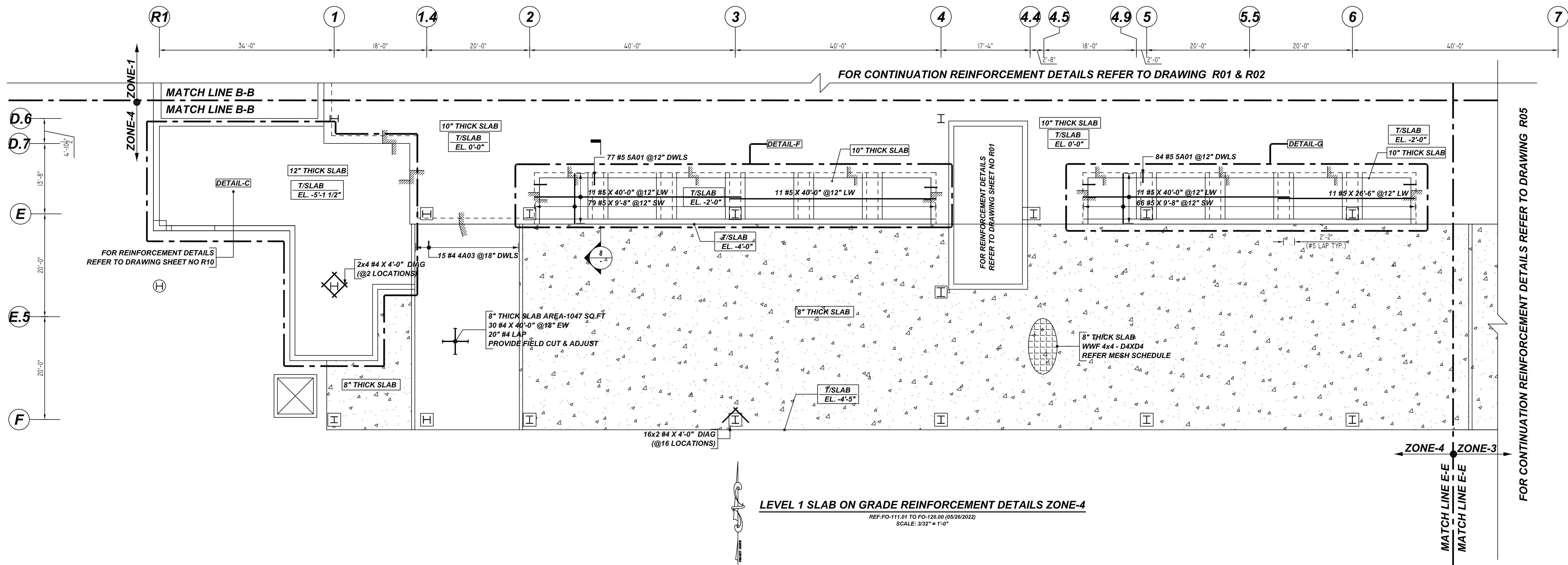
AREA KEY PLAN
SCALE: NTS

**ALL BARS IN THIS DRAWING
 ASTM A615 GRADE 60
 BLACK UNCOATED**

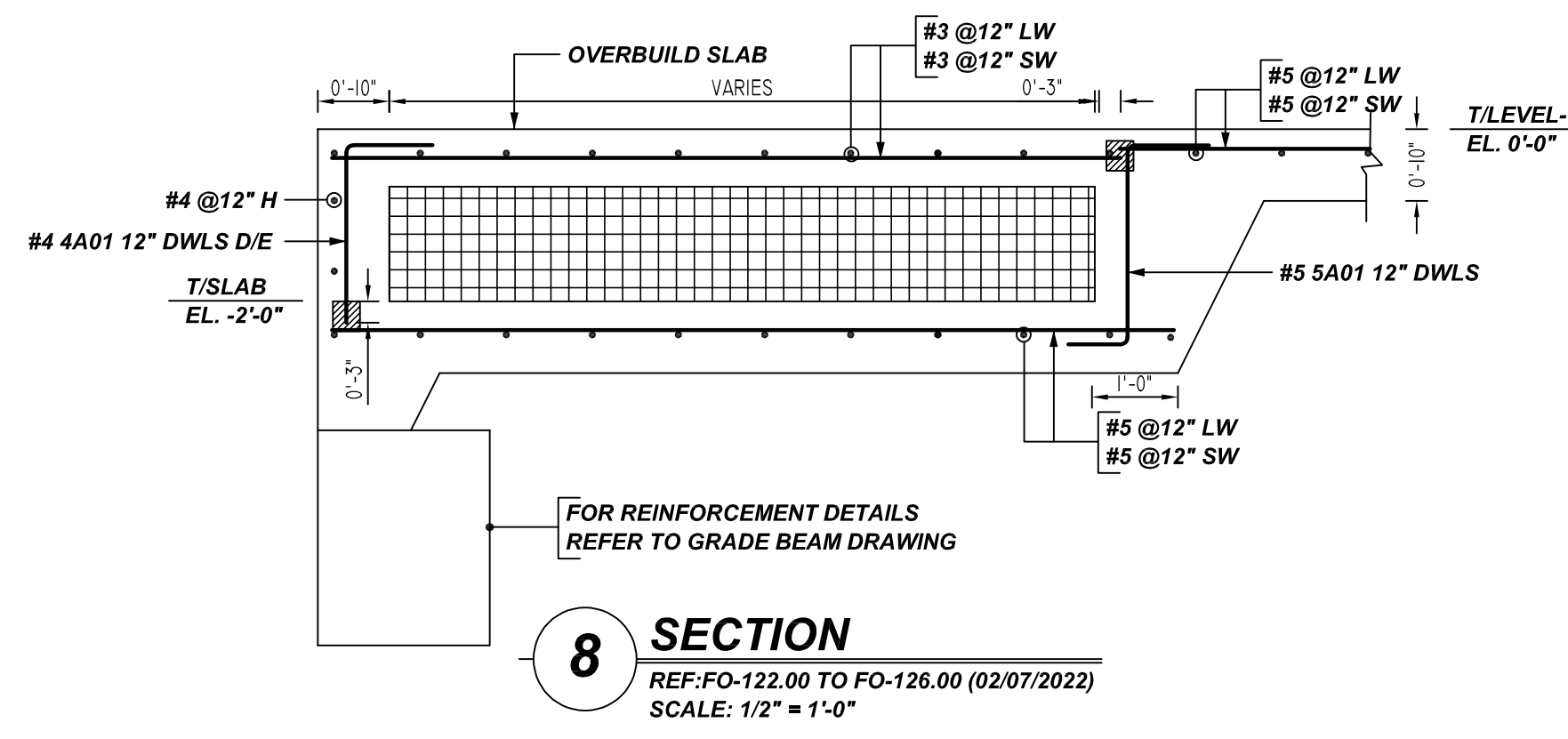
TYPICAL REINFORCING BAR CLEARANCE TABLE

LOCATION	MIN. COVER
SLAB TOP & BOTTOM	1/2" CLR
SLAB EDGE	2" CLR

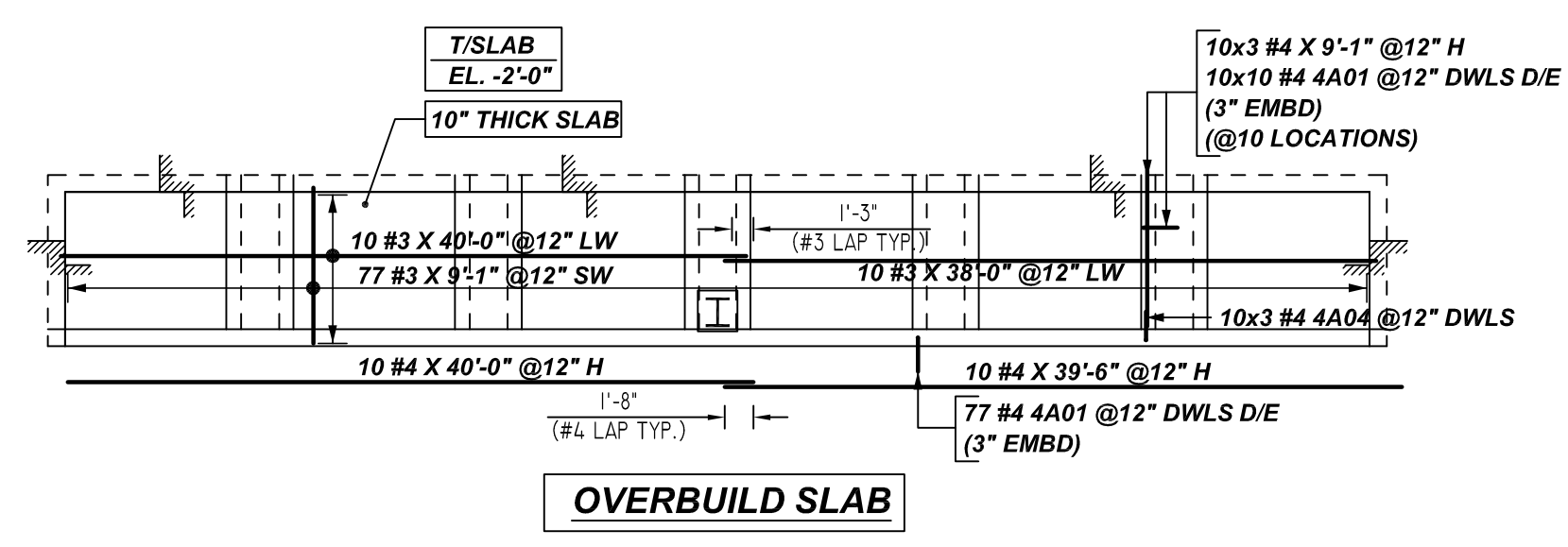




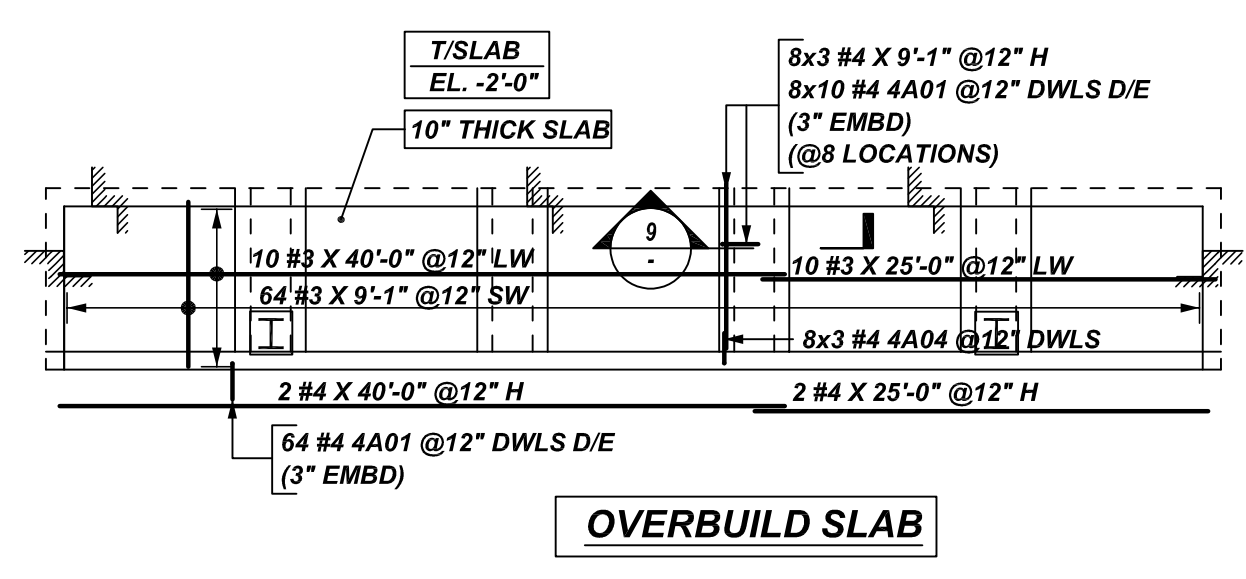
LEVEL 1 SLAB ON GRADE REINFORCEMENT DETAILS ZONE-4
 REF:FO-111.01 TO FO-126.00 (05/26/2022)
 SCALE: 3/32" = 1'-0"



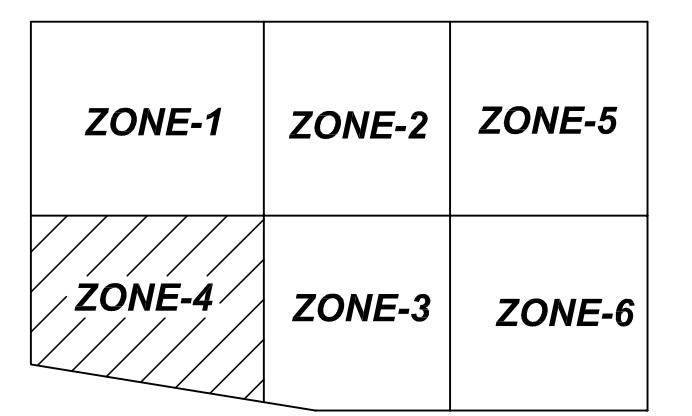
SECTION 8
 REF:FO-122.00 TO FO-126.00 (02/07/2022)
 SCALE: 1/2" = 1'-0"



DETAIL F
 REF:6/S-504 (11/12/2021)
 SCALE: 3/32" = 1'-0"



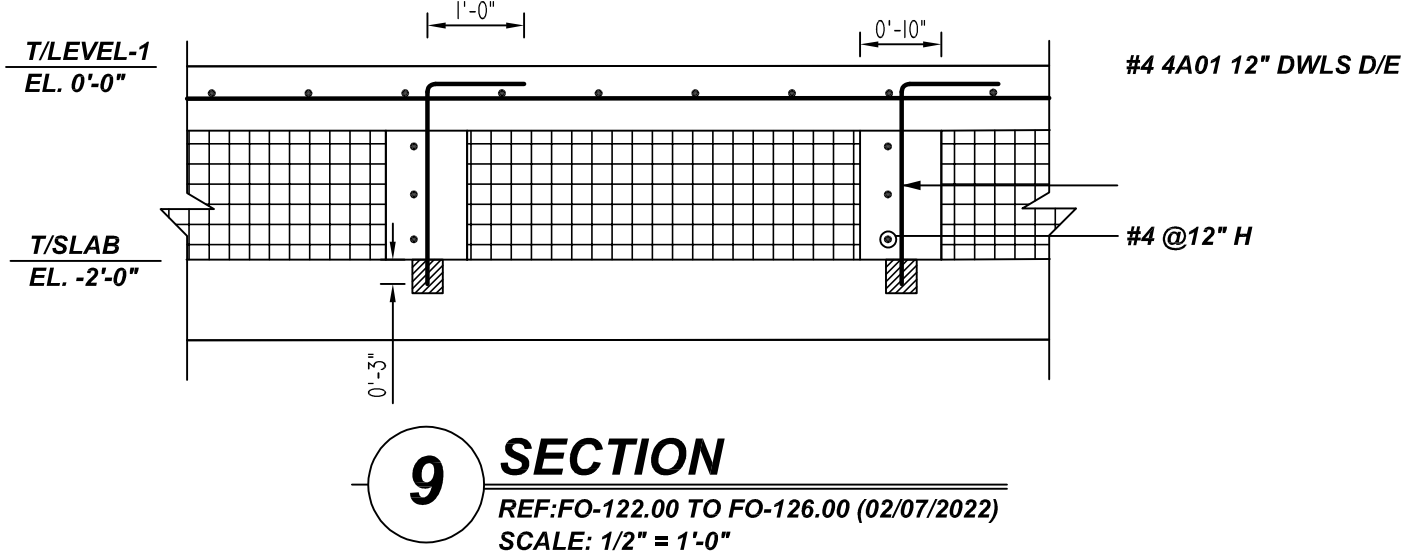
DETAIL G
 REF:6/S-504 (11/12/2021)
 SCALE: 3/32" = 1'-0"



AREA KEY PLAN
 SCALE: NTS

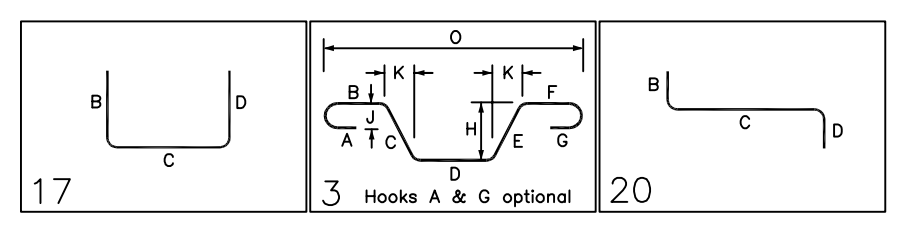
ACCESSORIES DETAILS					
S. NO	ELEMENT	DESCRIPTION	PCS	LFT	REMARK
1	8" THK SOG	4" HT SB @4'-0" C/C	-	560	FOR MESH SUPPORT (@ BOTTOM)
3	10" THK SOG	5" HT IHC @4'-0" C/C	130	-	FOR 10" THK SOG (@BAR SUPPORT)

MESH DETAILS					
S. NO	ELEMENT	MESH SIZE	SHEETS	AREA	REMARK
1	8" THK SLAB ON GRADE	WWF 4x4 - D4XD4	55	7373 SQ.FT	8'-0 X 20'-0" SHEET SIZE (15% LAP ADDED)



SECTION 9
 REF:FO-122.00 TO FO-126.00 (02/07/2022)
 SCALE: 1/2" = 1'-0"

Release Number: R06	Bar Mark	Qty	Size	Total Length	Type	W	Y	Z	V	T	U	S	R	Q	P	O
	4A01	32	#4	3'-0"	17											
	4A03	15	#4	3'-11"	3											
	4A04	54	#4	3'-4"	17											
	5A01	18	#5	6'-8"	20											



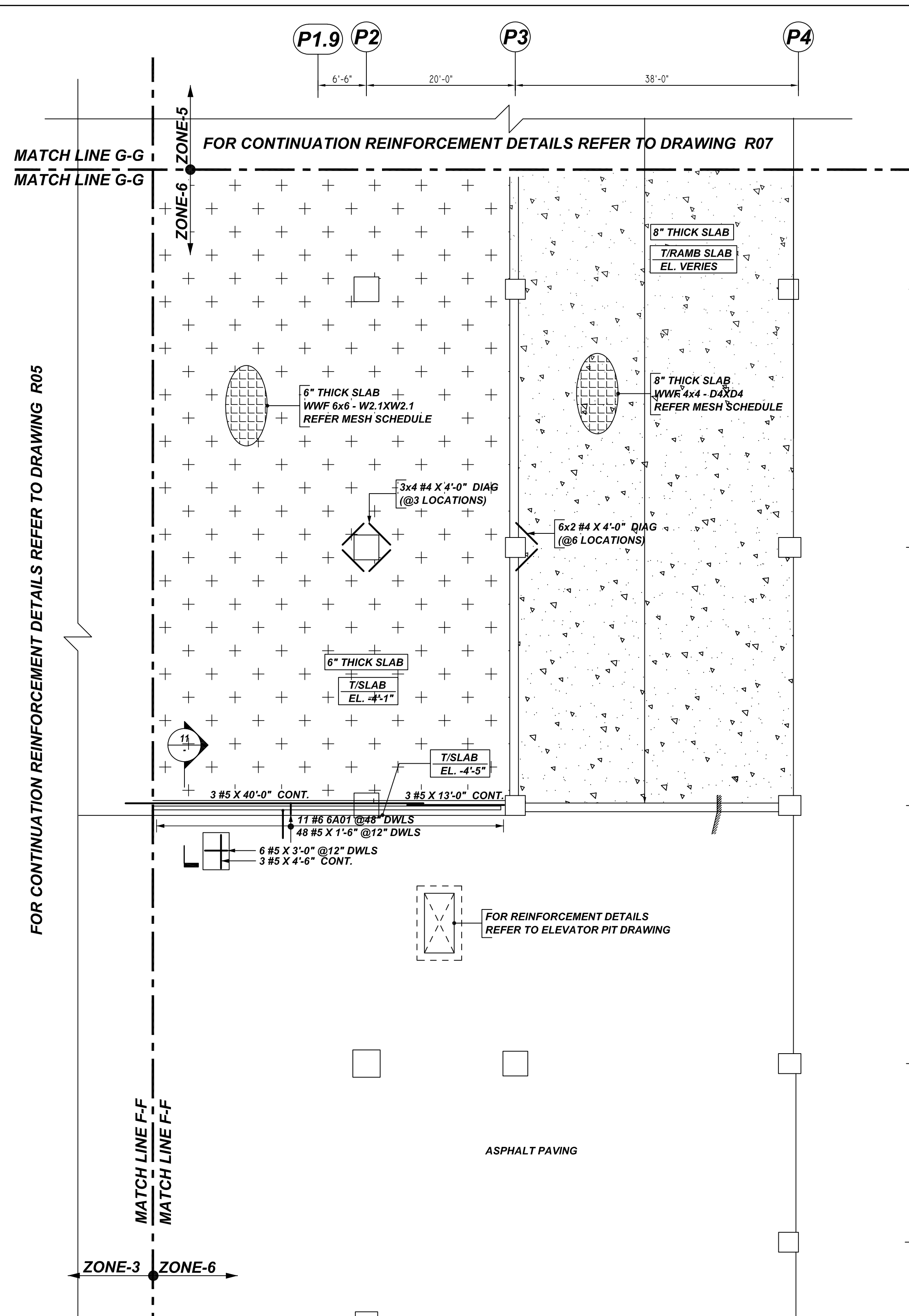
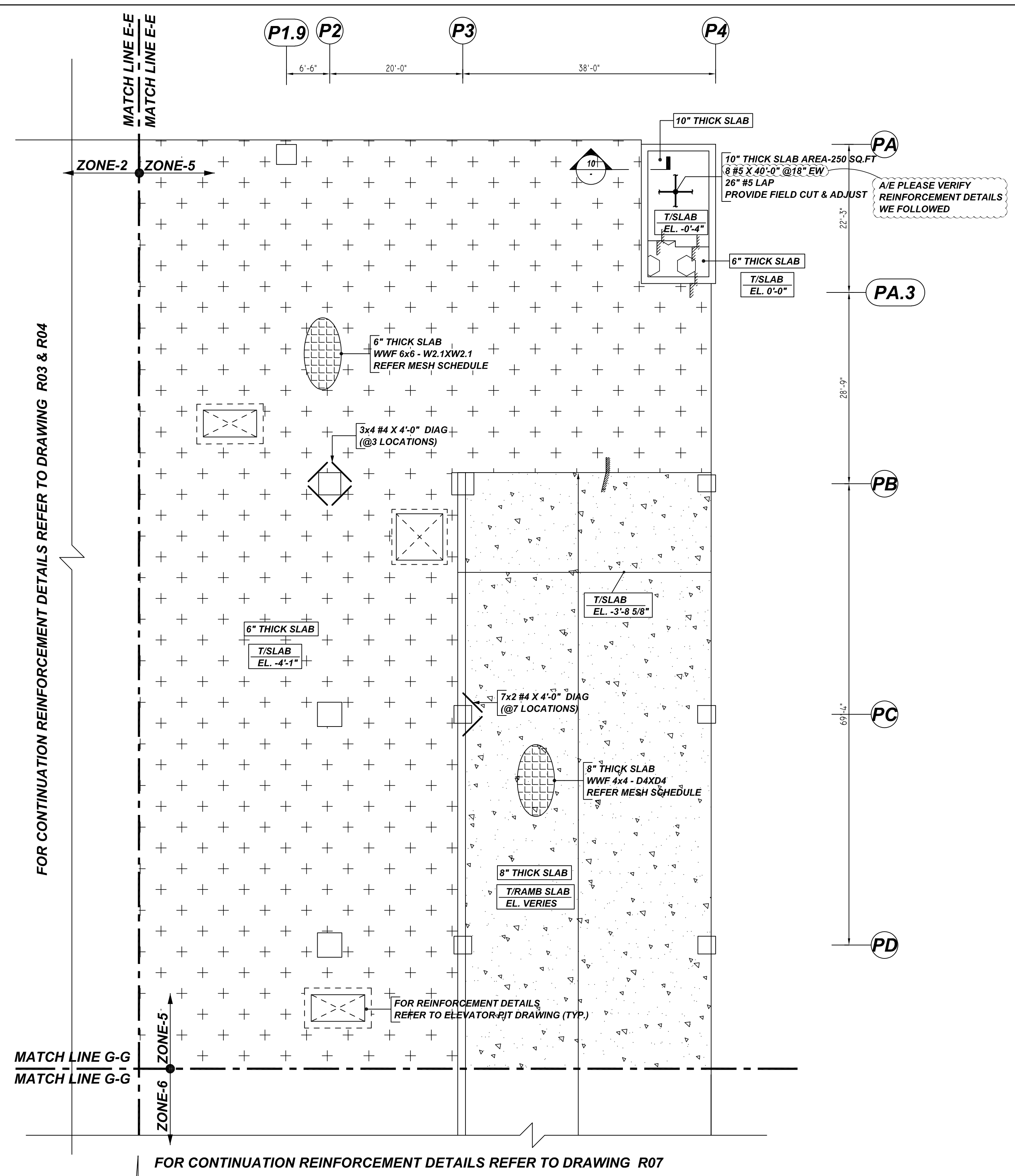
**ALL BARS IN THIS DRAWING
 ASTM A615 GRADE 60
 BLACK UNCOATED**

TYPICAL REINFORCING BAR CLEARANCE TABLE	
LOCATION	MIN. COVER
SLAB TOP & BOTTOM	1/2" CLR
SLAB EDGE	2" CLR

LAP SCHEDULE

BAR#	LENGTHS
#3	15"
#4	20"
#5	26"
#6	31"
#7	66"
#8	76"
#9	85"
#10	96"
#11	106"

GRADE	A615/60(UNO)		
PREFIX	A		
BAR LIST NOS.	-		
REV	DESCRIPTION	ISSUED DATE	ISSUED FOR
1	IFA	07/29/2022	APPROVAL
STRUCTURE	SLAB ON GRADE REINFORCEMENT DETAILS		
FLOOR	LEVEL 1 - ZONE-4		
JOB NO	-		
CUSTOMER	CONCRETE COURSES CONCEPTS		
JOB	23-30 BORDEN AVE.		
LOCATION	LONG ISLAND CITY, NY 11101		
DRAWN	DATE	CONTROL CODE	DWG. NO.
MRS	07/29/2022	-	R06



LEVEL 1 SLAB ON GRADE REINFORCEMENT DETAILS ZONE-5
 REF:FO-111.01 TO FO-126.00 (05/26/2022)
 SCALE: 3/32" = 1'-0"

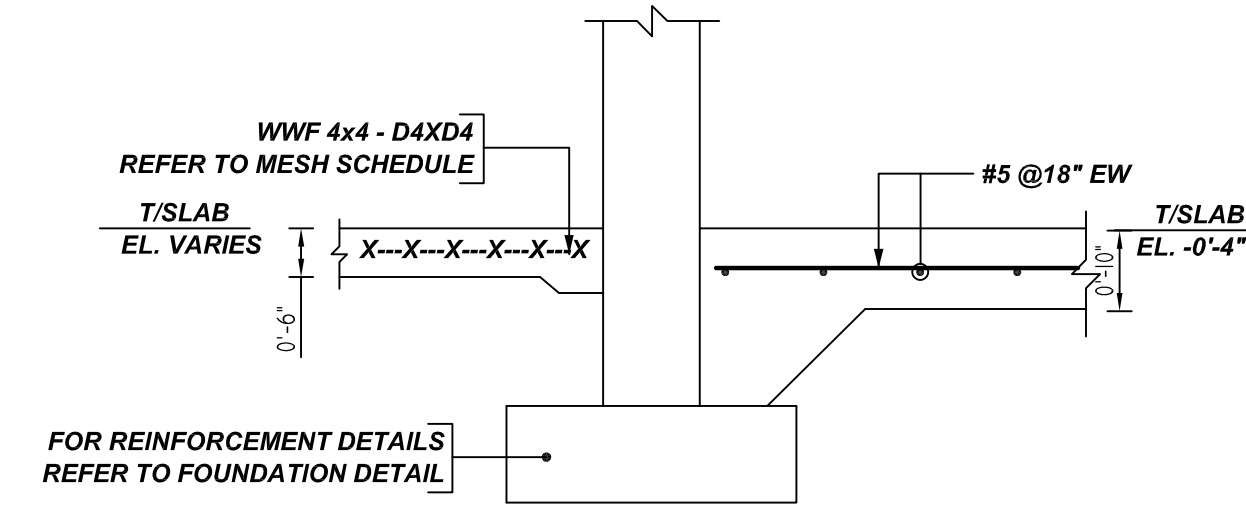
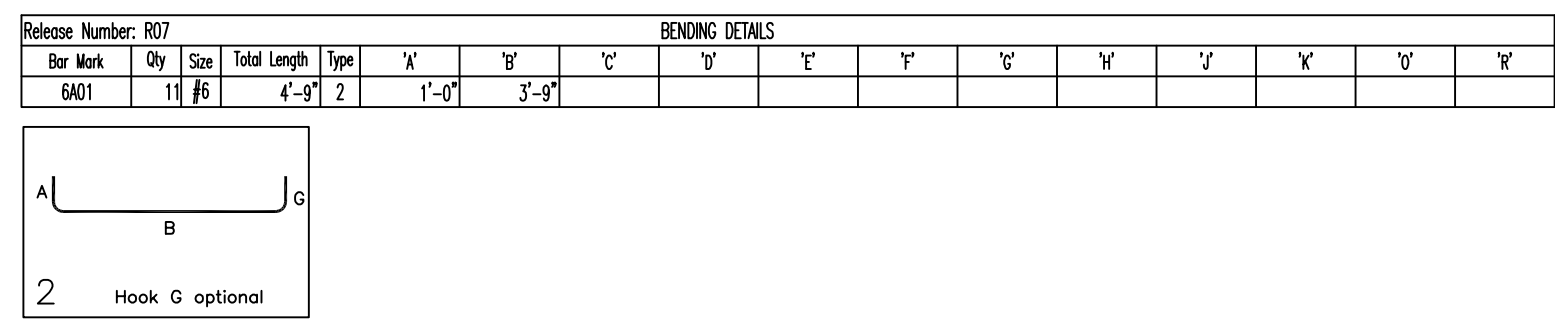
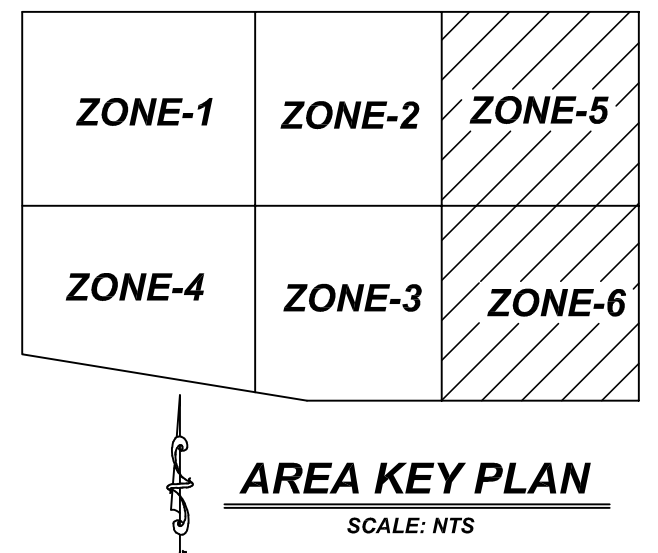
LEVEL 1 SLAB ON GRADE REINFORCEMENT DETAILS ZONE-6
 REF:FO-111.01 TO FO-126.00 (05/26/2022)
 SCALE: 3/32" = 1'-0"

MESH DETAILS

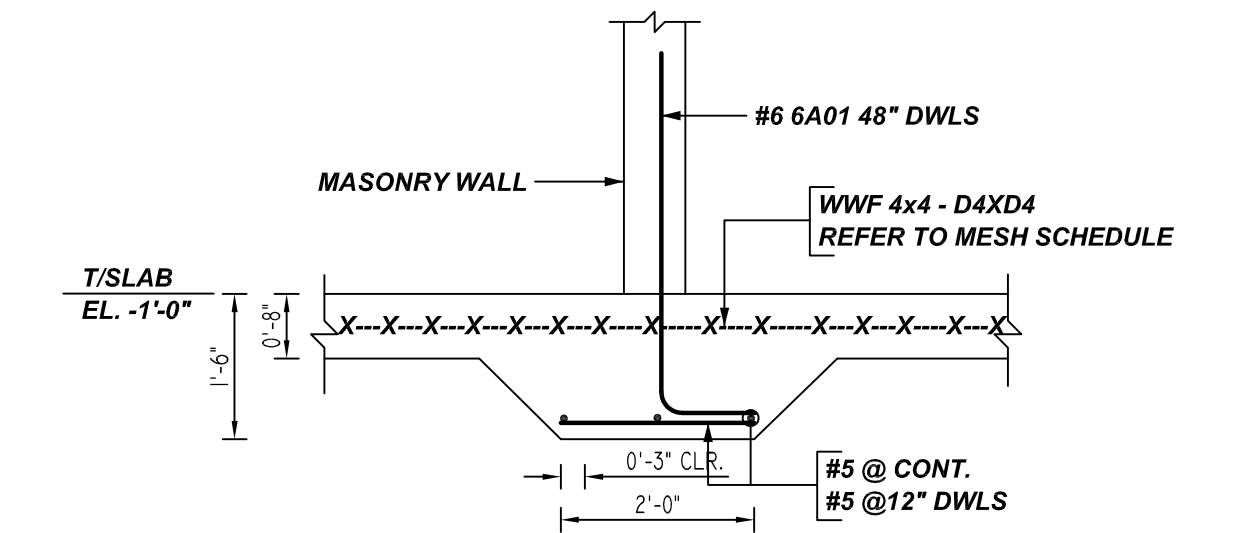
S. NO	ELEMENT	MESH SIZE	SHEETS	AREA	REMARK
1	6" THK SLAB ON GRADE	WWF 6x6 - W2.1XW2.1	95	12894 SQ.FT	8'-0" X 20'-0" SHEET SIZE (15% LAP ADDED)
2	8" THK SLAB ON GRADE	WWF 4x4 - D4XD4	50	6696 SQ.FT	8'-0" X 20'-0" SHEET SIZE (15% LAP ADDED)

ACCESSORIES DETAILS

S. NO	ELEMENT	DESCRIPTION	PCS	LFT	REMARK
1	6" THK SOG	3" HT SB @4'-0" C/C	-	750	FOR MESH SUPPORT (@ BOTTOM)
2	8" THK SOG	4" HT SB @4'-0" C/C	-	505	FOR MESH SUPPORT (@ BOTTOM)
3	10" THK SOG	5" HT IHC @4'-0" C/C	130	-	FOR 10" THK. SOG (@BAR SUPPORT)



10 SECTION
 REF:FO-122.00 TO FO-126.00 (02/07/2022)
 SCALE: 1/2" = 1'-0"



11 SECTION
 REF:5/FO-122.00 (02/07/2022)

LAP SCHEDULE

BAR#	LENGTHS
#3	15"
#4	20"
#5	26"
#6	31"
#7	66"
#8	76"
#9	85"
#10	96"
#11	106"

**ALL BARS IN THIS DRAWING
 ASTM A615 GRADE 60
 BLACK UNCOATED**

TYPICAL REINFORCING BAR CLEARANCE TABLE

LOCATION	MIN. COVER
SLAB TOP & BOTTOM	1/2" CLR
SLAB EDGE	2" CLR

GRADE	A615/60(UNO)		
PREFIX	A		
BAR LIST NOS.	-		
REV	DESCRIPTION	ISSUED DATE	ISSUED FOR
1	IFA	07/29/2022	APPROVAL
STRUCTURE	SLAB ON GRADE REINFORCEMENT DETAILS		
FLOOR	LEVEL 1 - ZONE-5 & 6		
JOB NO.	-		
CUSTOMER	CONCRETE COURSES CONCEPTS		
JOB	23-30 BORDEN AVE.		
LOCATION	LONG ISLAND CITY, NY 11101		
DRAWN	DATE	CONTROL CODE	DWG. NO.
MRS	07/29/2022	-	R07