

NOTICE

SHORTAGES, IMPROPER FABRICATION OR CLAIMS FOR ANY OTHER REASON MUST BE REPORTED TO THIS COMPANY WITHIN 10 DAYS FROM ORIGINAL DELIVERY. THIS COMPANY ALSO RESERVES THE RIGHT TO FIELD INSPECT MATERIALS PRIOR TO REPLACEMENT OR RECONDITIONING OF MATERIALS AND WILL NOT BE LIABLE FOR CHARGES FROM WORK DONE IN THE FIELD WITHOUT PRIOR AUTHORIZATION FROM THIS COMPANY.

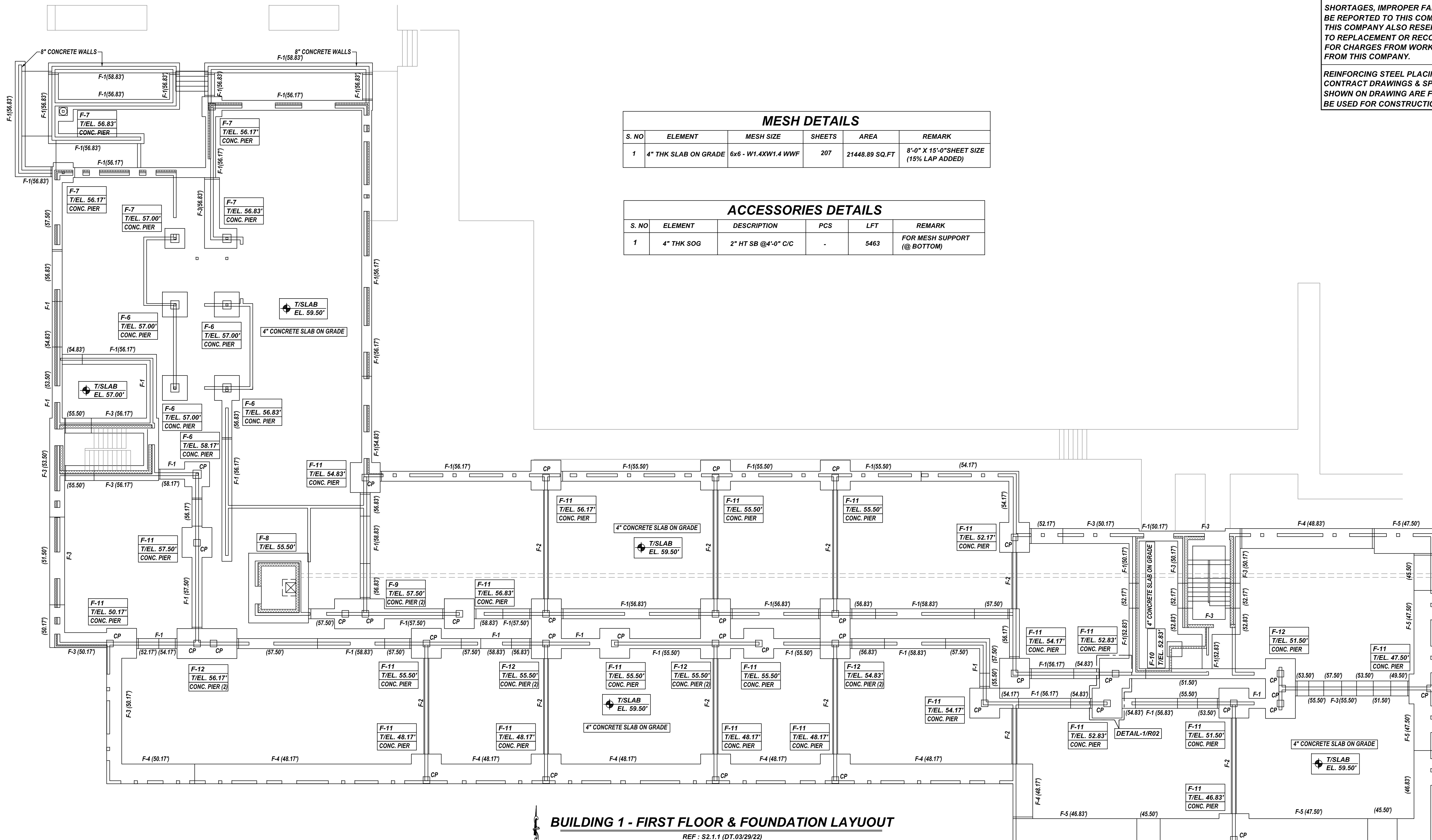
REINFORCING STEEL PLACING DRAWING ONLY. USE IN CONJUNCTION WITH CONTRACT DRAWINGS & SPECIFICATIONS. ELEVATIONS & DIMENSIONS SHOWN ON DRAWING ARE FOR DETAILING PURPOSES ONLY AND SHOULD NOT BE USED FOR CONSTRUCTION UNLESS VERIFIED BY ENGINEER OR CONTRACTOR.

MESH DETAILS

S. NO	ELEMENT	MESH SIZE	SHEETS	AREA	REMARK
1	4" THK SLAB ON GRADE	6x6 - W1.4XW1.4 WWF	207	21448.89 SQ.FT	8'-0" X 15'-0" SHEET SIZE (15% LAP ADDED)

ACCESSORIES DETAILS

S. NO	ELEMENT	DESCRIPTION	PCS	LFT	REMARK
1	4" THK SOG	2" HT SB @4'-0" C/C	-	5463	FOR MESH SUPPORT (@ BOTTOM)



BUILDING 1 - FIRST FLOOR & FOUNDATION LAYOUT

REF : S2.1.1 (DT.03/29/22)
SCALE: 1/10" = 1'-0"

**ALL BARS IN THIS DRAWING
ASTM A615 GRADE 60
BLACK UNCOATED**

A/E PLEASE VERIFY
LAP SCHEDULE PROVIDED.

REBAR GRADE 60 ASTM A-615

SPLICES USED

CLASS B 3,000 psi UNO

TOP BARS	OTHER BARS
#3 28"	#3 22"
#4 37"	#4 29"
#5 47"	#5 36"
#6 56"	#6 43"
#7 81"	#7 63"
#8 93"	#8 72"
#9 105"	#9 81"
#10 118"	#10 91"
#11 131"	#11 101"
#14	

ABBREVIATIONS

- ADD. = Additional
- B.O.W. = Bottom of wall
- C.B. = Corner Bars
- DIAG. = Diagonal
- D.O. = Door Opening
- DWLS. = Dowels
- E.F. = Each Face
- E.S. = Each Side
- E.W. = Each Way
- FTG. = Footing
- F.F. = Far Face
- HORIZ. = Horizontal
- I.F. = Inside Face
- INTERS. = Intersection
- L.W. = long Way
- N.F. = Near Face
- O.F. = Outside Face
- S.W. = Short Way
- T&B = Top & Bottom
- T.O.W. = Top of Wall
- Trans. = Transverse
- VERT. = Vertical

BAR MARK SIZE EQUIVALENT

Imperial	Soft Metric
#3	#10
#4	#13
#5	#16
#6	#19
#7	#22
#8	#25
#9	#29
#10	#32
#11	#36

CANTON OVERLOOK

BUILDING 1 - FIRST FLOOR & FOUNDATION LAYOUT
1617 BROENING HIGHWAY, BALTIMORE MD 21224

CUSTOMER: --

DESIGNER: --

REV NO	DATE	APPROVAL	SENT FOR	REV NO	DATE	SENT FOR
0	06.15.21					

DRAWN BY	DATE	JOB NO	SHEET NO.
RTE	06.15.21	--	R01

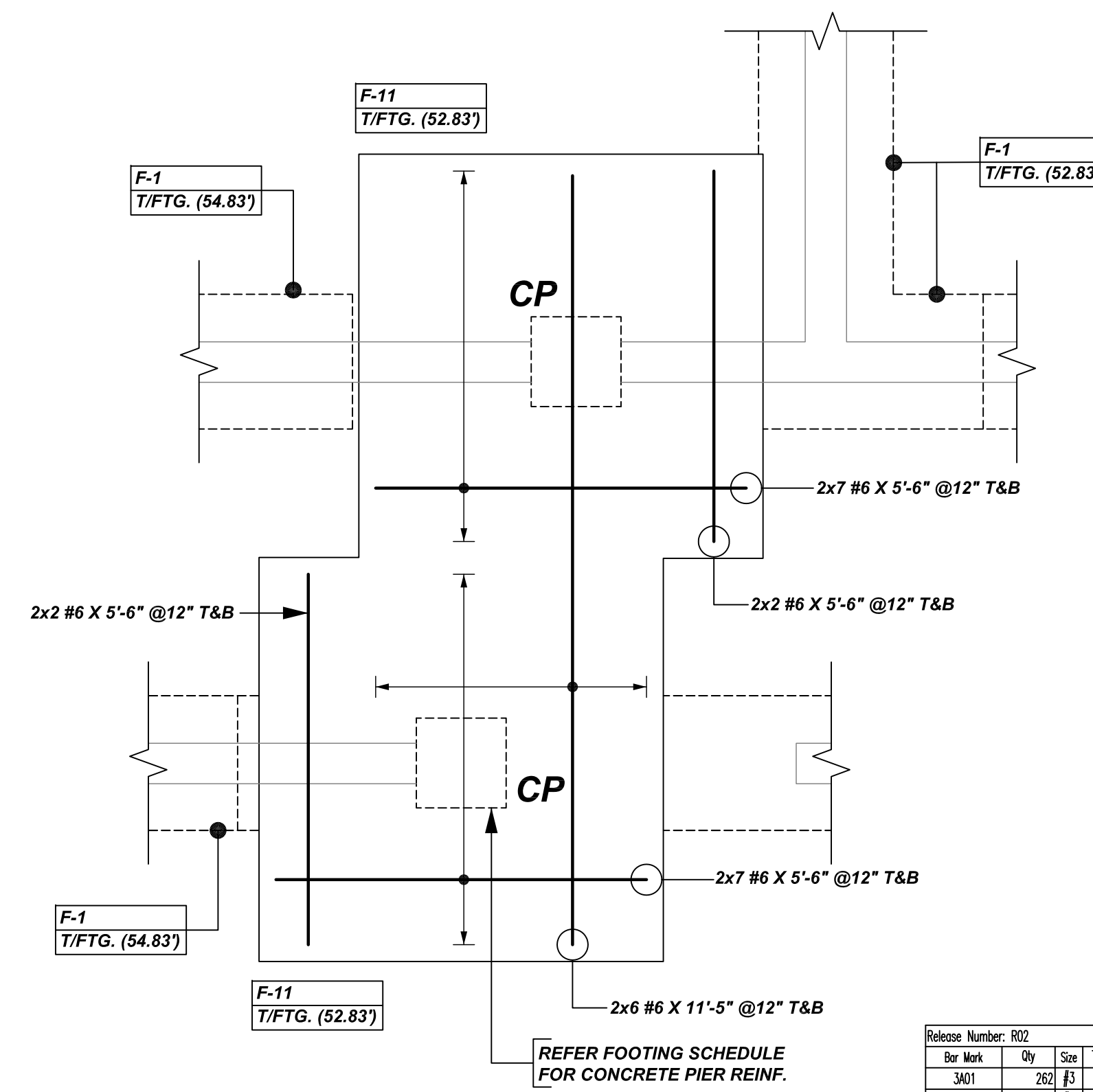
NOTICE

SHORTAGES, IMPROPER FABRICATION OR CLAIMS FOR ANY OTHER REASON MUST BE REPORTED TO THIS COMPANY WITHIN 10 DAYS FROM ORIGINAL DELIVERY. THIS COMPANY ALSO RESERVES THE RIGHT TO FIELD INSPECT MATERIALS PRIOR TO REPLACEMENT OR RECONDITIONING OF MATERIALS AND WILL NOT BE LIABLE FOR CHARGES FROM WORK DONE IN THE FIELD WITHOUT PRIOR AUTHORIZATION FROM THIS COMPANY.

REINFORCING STEEL PLACING DRAWING ONLY USE IN CONJUNCTION WITH CONTRACT DRAWINGS & SPECIFICATIONS. ELEVATIONS & DIMENSIONS SHOWN ON DRAWING ARE FOR DETAILING PURPOSES ONLY AND SHOULD NOT BE USED FOR CONSTRUCTION UNLESS VERIFIED BY ENGINEER OR CONTRACTOR.

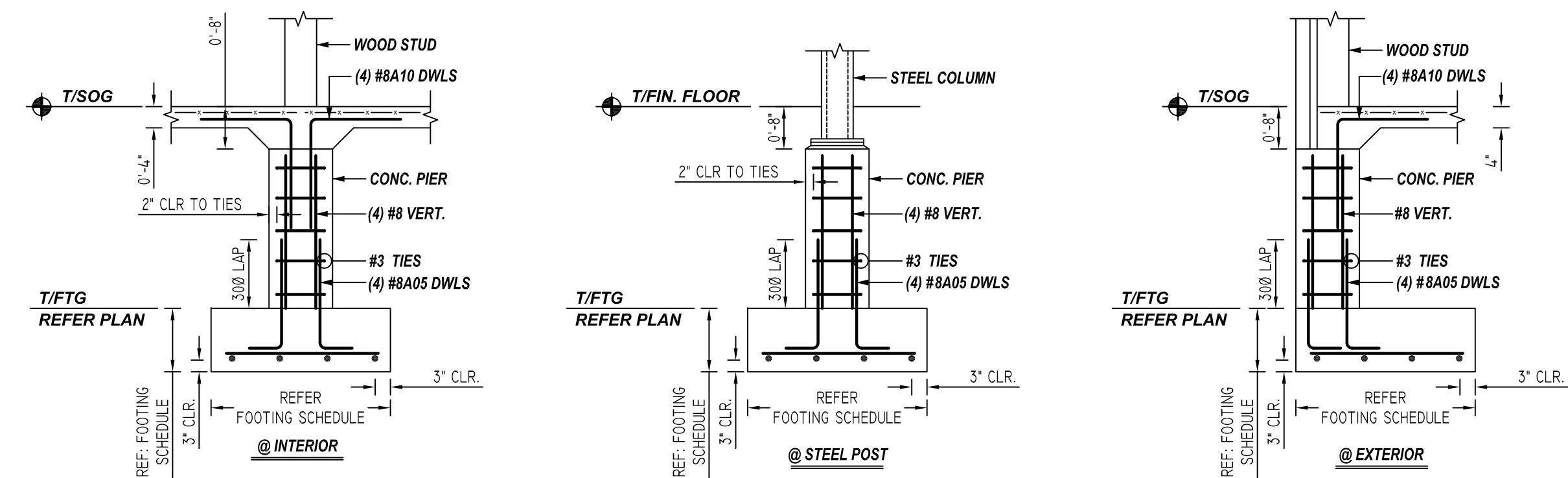
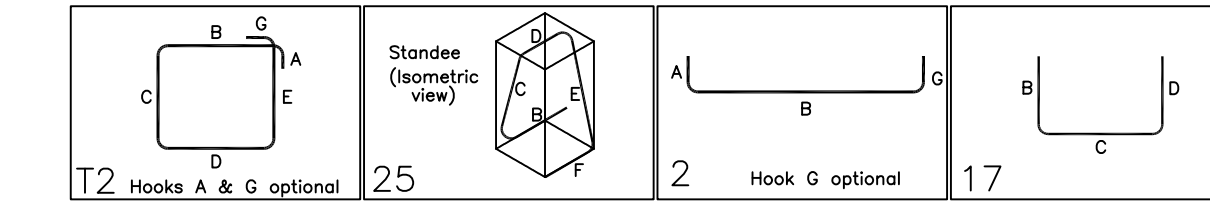
FOOTING SCHEDULE

MARK	SIZE	T/FTG ELEVATION	QTY	FOOTING REINFORCEMENTS		CONCRETE PIER DETAILS			CMU DOWELS	DOWELS TO SOG	STANDEES
				BOTTOM	TOP	SIZE	T/PIER	QTY			
F-6	5'-0"x5'-0"x14"	56.83	1	2x6 #6 X 4'-6" @12" EW	---	20"x20"	58.833	1	4 #8 8A03 VERT. 3 #3 3A02 TIES	---	---
		57.00	3	3x2x6 #6 X 4'-6" @12" EW	---	20"x20"	58.833	3	3x4 #8 8A01 VERT. 3x3 #3 3A02 TIES	---	---
		58.17	1	2x6 #6 X 4'-6" @12" EW	---	20"x20"	58.833	1	4 #8 8A04 VERT. 2 #3 3A02 TIES	5 #6 6A04 @16"	---
F-7	4'-0"x4'-0"x14"	56.17	1	2x5 #6 X 3'-6" @12" EW	---	20"x20"	58.833	1	4 #8 8A11 VERT. 4 #3 3A02 TIES	5 #6 6A03 @16"	---
		56.83	2	2x2x5 #6 X 3'-6" @12" EW	---	20"x20"	58.833	2	2x4 #8 8A03 VERT. 2x3 #3 3A02 TIES	6 #6 6A01 @16"	---
		57.00	1	2x5 #6 X 3'-6" @12" EW	---	20"x20"	58.833	1	4 #8 8A01 VERT. 3 #3 3A02 TIES	---	---
		57.50	1	2x5 #6 X 3'-6" @12" EW	---	20"x20"	58.833	1	4 #8 8A02 VERT. 3 #3 3A02 TIES	5 #6 6A02 @16"	---
F-8	14'-0"x12'-0"x12"	55.50	1	REFER ELEVATOR PIT DRAWINGS		---	---	---	---	---	
F-9	10'-0"x6'-0"x24"	57.50	1	7 #6 X 9'-6" @12" LW 11 #6 X 5'-6" @12" SW	7 #6 X 9'-6" @12" LW 11 #6 X 5'-6" @12" SW	16"x16"	58.833	2	2x4 #8 8A06 VERT. 2x3 #3 3A01 TIES	11 #6 6A05 @16"	6 #5 5A01 @48"
F-10	2'-0"x2'-0"x12"	52.83	1	2x3 #4 X 1'-6" @12" EW	---	---	---	---	11 #6 6A06 @16"	---	
F-11	6'-0"x6'-0"x24"	46.83	1	2x7 #6 X 4'-6" @12" EW	2x7 #6 X 4'-6" @12" EW	16"x16"	58.833	1	4 #8 8A05 DWLS 4 #8 X 11'-10" VERT. 15 #3 3A01 TIES	9 #7 7A06 @8"	---
		47.50	1	2x7 #6 X 4'-6" @12" EW	2x7 #6 X 4'-6" @12" EW	16"x16"	58.833	1	4 #8 8A05 DWLS 4 #8 X 11'-2" VERT. 15 #3 3A01 TIES	16 #7 7A06 @8"	---
		48.17	4	4x2x7 #6 X 4'-6" @12" EW	4x2x7 #6 X 4'-6" @12" EW	16"x16"	58.833	4	4x4 #8 8A05 DWLS 4x4 #8 X 10'-5" VERT. 4x14 #3 3A01 TIES	36 #7 7A06 @8"	---
		50.17	1	2x7 #6 X 4'-6" @12" EW	2x7 #6 X 4'-6" @12" EW	16"x16"	58.833	1	4 #8 8A05 DWLS 4 #8 X 8'-5" VERT. 11 #3 3A01 TIES	13 #7 7A06 @8"	---
		51.50	1	2x7 #6 X 4'-6" @12" EW	2x7 #6 X 4'-6" @12" EW	16"x16"	58.833	1	4 #8 8A05 DWLS 4 #8 X 7'-2" VERT. 9 #3 3A01 TIES	9 #7 7A06 @8"	---
		52.83	2	REFER DETAIL - 1 / R02		16"x16"	58.833	2	2x10 #8 8A05 DWLS 2x4 #8 X 5'-10" VERT. 2x8 #3 3A01 TIES	10 #7 7A06 @16"	---
		54.17	3	3x2x7 #6 X 4'-6" @12" EW	3x2x7 #6 X 4'-6" @12" EW	16"x16"	58.833	3	3x4 #8 8A05 DWLS 3x4 #8 X 4'-5" VERT. 3x7 #3 3A01 TIES	15 #7 7A07 @16"	---
		54.83	1	2x7 #6 X 4'-6" @12" EW	2x7 #6 X 4'-6" @12" EW	16"x16"	58.833	1	4 #8 8A05 DWLS 4 #8 X 3'-10" VERT. 6 #3 3A01 TIES	7 #7 7A06 @16"	---
		55.50	5	5x2x7 #6 X 4'-6" @12" EW	5x2x7 #6 X 4'-6" @12" EW	16"x16"	58.833	5	5x4 #8 8A07 VERT. 5x5 #3 3A01 TIES	30 #7 7A08 @16"	---
		56.17	1	2x7 #6 X 4'-6" @12" EW	2x7 #6 X 4'-6" @12" EW	16"x16"	58.833	1	4 #8 8A09 VERT. 5 #3 3A01 TIES	5 #6 6A07 @16"	---
56.83	1	2x7 #6 X 4'-6" @12" EW	2x7 #6 X 4'-6" @12" EW	16"x16"	58.833	1	4 #8 8A08 VERT. 4 #3 3A01 TIES	4 #6 6A08 @16"	---		
57.50	1	2x7 #6 X 4'-6" @12" EW	2x7 #6 X 4'-6" @12" EW	16"x16"	58.833	1	4 #8 8A06 VERT. 3 #3 3A01 TIES	5 #6 6A05 @16"	---		
F-12	12'-0"x6'-0"x24"	51.50	1	7 #6 X 11'-6" @12" LW 13 #6 X 5'-6" @12" SW	7 #6 X 11'-6" @12" LW 13 #6 X 5'-6" @12" SW	16"x16"	58.833	2	2x4 #8 8A05 DWLS 2x4 #8 X 8'-10" VERT. 2x9 #3 3A01 TIES	27 #7 7A06 @8"	---
		54.83	1	7 #6 X 11'-6" @12" LW 13 #6 X 5'-6" @12" SW	7 #6 X 11'-6" @12" LW 13 #6 X 5'-6" @12" SW	16"x16"	58.833	1	4 #8 8A05 DWLS 4 #8 X 7'-2" VERT. 10 #3 3A01 TIES	---	---
		55.50	2	2x7 #6 X 11'-6" @12" LW 2x13 #6 X 5'-6" @12" SW	2x7 #6 X 11'-6" @12" LW 2x13 #6 X 5'-6" @12" SW	16"x16"	58.833	4	4x4 #8 8A07 VERT. 4x5 #3 3A01 TIES	10 #6 6A09 @16"	---
		56.17	1	7 #6 X 11'-6" @12" LW 13 #6 X 5'-6" @12" SW	7 #6 X 11'-6" @12" LW 13 #6 X 5'-6" @12" SW	16"x16"	58.833	2	2x4 #8 8A09 VERT. 2x5 #3 3A01 TIES	13 #6 6A07 @16"	---



DETAIL - 1
REF: S2.1.1 (DT.03/29/22)
SCALE: 1/4" = 1'-0"

Bar Mark	Qty	Total Length	Type	W	H	V	U	V	W	V	W	V	W	V	W	V
8A01	262	83	4'-5"	12	0'-4"	1'-0"	1'-0"	1'-0"	1'-0"	0'-4"						
8A02	30	83	6'-0"	12	0'-4"	1'-4"	1'-4"	1'-4"	1'-4"	0'-4"						
8A03	124	85	7'-2 1/2"	25		1'-6"	1'-4 1/2"	1'-6"	1'-4 1/2"	1'-6"	1'-4"	0'-8"				
8A04	5	86	3'-1"	2	1'-0"	2'-7"										
8A05	5	86	4'-4"	2	1'-0"	3'-4"										
8A06	5	86	2'-4"	2	1'-0"	1'-4"										
8A07	16	86	3'-11"	2	1'-0"	2'-11"										
8A08	11	86	3'-10"	2	1'-0"	2'-10"										
8A09	18	86	5'-2"	2	1'-0"	4'-2"										
8A10	4	86	4'-7"	2	1'-0"	3'-7"										
8A11	10	86	5'-11"	2	1'-0"	4'-11"										
7A06	137	87	5'-7"	2	1'-2"	4'-5"										
7A07	15	87	5'-9"	2	1'-2"	4'-7"										
7A08	30	87	5'-2"	2	1'-2"	4'-0"										
8A01	16	86	3'-9"	2	1'-4"	2'-5"										
8A02	4	86	3'-3"	2	1'-4"	1'-11"										
8A03	12	86	3'-11"	2	1'-4"	2'-7"										
8A04	4	86	2'-7"	2	1'-4"	1'-3"										
8A05	88	86	5'-10"	2	1'-4"	4'-6"										
8A06	12	86	4'-1"	2	1'-4"	2'-9"										
8A07	36	86	6'-1"	2	1'-4"	4'-9"										
8A08	4	86	4'-9"	2	1'-4"	3'-5"										
8A09	12	86	5'-3"	2	1'-4"	4'-1"										
8A10	116	86	4'-0"	17	2'-0"	2'-0"										
8A11	4	86	4'-7"	2	1'-4"	3'-3"										



TYPICAL CONCRETE PIER & FOOTING DETAILS
REF: S2.1.1, S1.0.2 (DT.03/29/22)
SCALE: 1/2" = 1'-0"

LOCATION	MIN. COVER
FOOTING BOTTOM & SIDE	3" CLR
FOOTING TOP	2" CLR

**ALL BARS IN THIS DRAWING
ASTM A615 GRADE 60
BLACK UNCOATED**

A/E PLEASE VERIFY
LAP SCHEDULE PROVIDED.

REBAR GRADE 60 ASTM A-615

SPLICES USED		ABBREVIATIONS	BAR MARK SIZE EQUIVALENT	
CLASS B 3,000 psi UNO		ADD. = Additional	Imperial	Soft Metric
TOP BARS	OTHER BARS	B.O.W. = Bottom of wall	#3	#10
#3 28"	#3 22"	C.B. = Corner Bars	#4	#13
#4 37"	#4 29"	DIAG. = Diagonal	#5	#16
#5 47"	#5 36"	D.O. = Door Opening	#6	#19
#6 56"	#6 43"	DWLS. = Dowels	#7	#22
#7 81"	#7 63"	E.F. = Each Face	#8	#25
#8 93"	#8 72"	E.S. = Each Side	#9	#29
#9 105"	#9 81"	E.W. = Each Way	#10	#32
#10 118"	#10 91"	FTG. = Footing	#11	#36
#11 131"	#11 101"	F.F. = Far Face		
#14		HORIZ. = Horizontal		
		I.F. = Inside Face		
		INTERS. = Intersection		
		L.W. = long Way		
		N.F. = Near Face		
		O.F. = Outside Face		
		S.W. = Short Way		
		T&B = Top & Bottom		
		T.O.W. = Top of Wall		
		Trans. = Transverse		
		VERT. = Vertical		

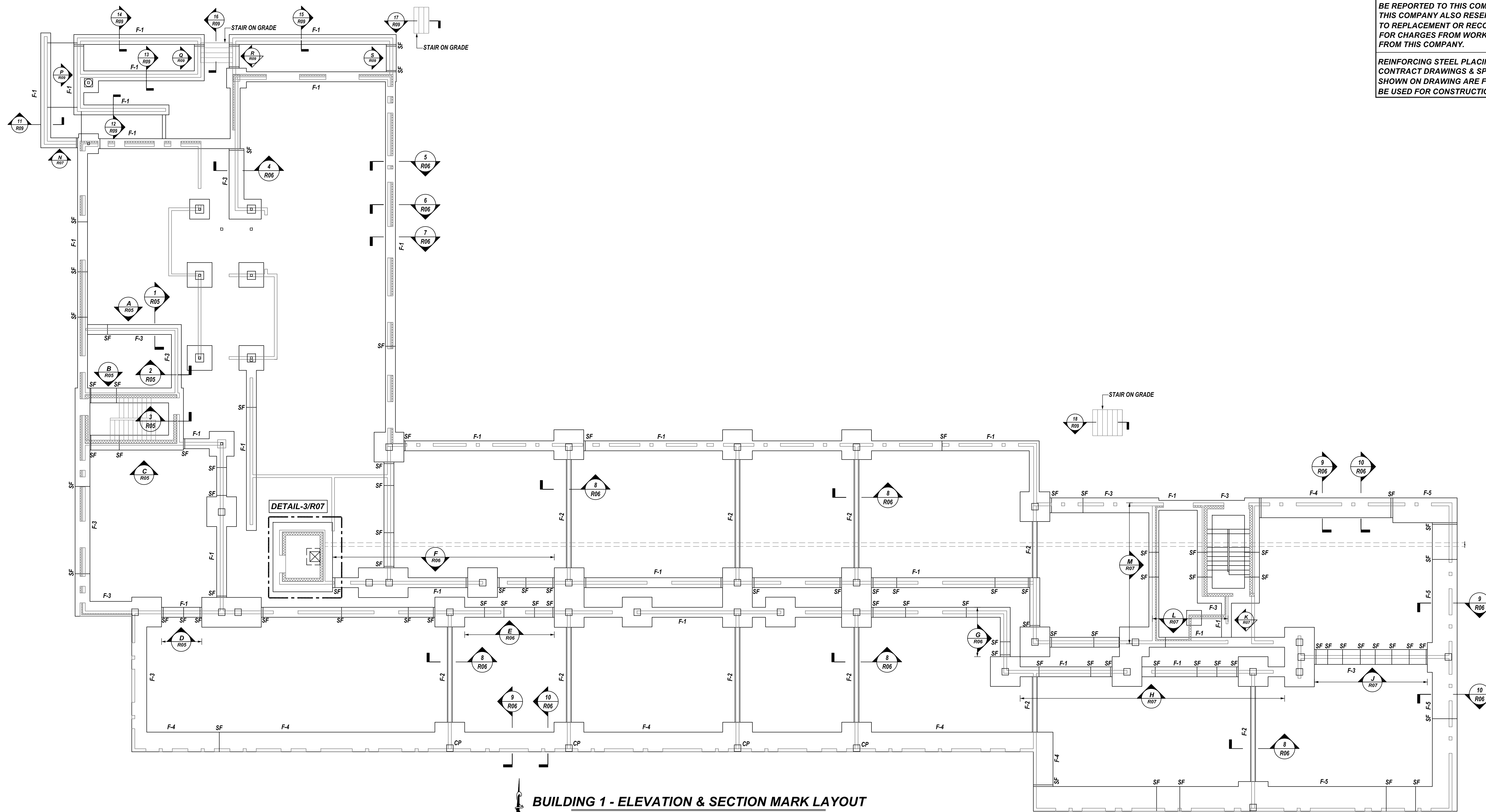
CANTON OVERLOOK
BUILDING 1 - FOOTING SCHEDULE
1617 BROENING HIGHWAY, BALTIMORE MD 21224
CUSTOMER: --
DESIGNER: --
DRAWN BY: DATE: 06.15.21
JOB NO: --
SHEET NO: R02

REV NO	DATE	APPROVAL	REV NO	DATE	SENT FOR
0	06.15.21				

NOTICE

SHORTAGES, IMPROPER FABRICATION OR CLAIMS FOR ANY OTHER REASON MUST BE REPORTED TO THIS COMPANY WITHIN 10 DAYS FROM ORIGINAL DELIVERY. THIS COMPANY ALSO RESERVES THE RIGHT TO FIELD INSPECT MATERIALS PRIOR TO REPLACEMENT OR RECONDITIONING OF MATERIALS AND WILL NOT BE LIABLE FOR CHARGES FROM WORK DONE IN THE FIELD WITHOUT PRIOR AUTHORIZATION FROM THIS COMPANY.

REINFORCING STEEL PLACING DRAWING ONLY. USE IN CONJUNCTION WITH CONTRACT DRAWINGS & SPECIFICATIONS. ELEVATIONS & DIMENSIONS SHOWN ON DRAWING ARE FOR DETAILING PURPOSES ONLY AND SHOULD NOT BE USED FOR CONSTRUCTION UNLESS VERIFIED BY ENGINEER OR CONTRACTOR.



BUILDING 1 - ELEVATION & SECTION MARK LAYOUT

REF : S2.1.1 (DT.03/29/22)
SCALE: 1/10" = 1'-0"

A/E PLEASE VERIFY
LAP SCHEDULE PROVIDED.

REBAR GRADE 60 ASTM A-615

SPLICES USED		ABBREVIATIONS		BAR MARK SIZE EQUIVALENT	
CLASS B 3,000 psi UNO				Imperial	Soft Metric
TOP BARS	OTHER BARS	ADD.	Additional	#3	#10
#3 28"	#3 22"	B.O.W.	Bottom of wall	#4	#13
#4 37"	#4 29"	C.B.	Corner Bars	#5	#16
#5 47"	#5 36"	DIAG.	Diagonal	#6	#19
#6 56"	#6 43"	D.O.	Door Opening	#7	#22
#7 81"	#7 63"	DWLS.	Dowels	#8	#25
#8 93"	#8 72"	E.F.	Each Face	#9	#29
#9 105"	#9 81"	E.S.	Each Side	#10	#32
#10 118"	#10 91"	E.W.	Each Way	#11	#36
#11 131"	#11 101"	FTG.	Footing		
#14		F.F.	Far Face		
		HORIZ.	Horizontal		
		I.F.	Inside Face		
		INTERS.	Intersection		
		L.W.	long Way		
		N.F.	Near Face		
		O.F.	Outside Face		
		S.W.	Short Way		
		T&B	Top & Bottom		
		T.O.W.	Top of Wall		
		Trans.	Transverse		
		VERT.	Vertical		

CANTON OVERLOOK
BUILDING 1 - ELEVATION & SECTION MARK LAYOUT
1617 BROENING HIGHWAY, BALTIMORE MD 21224

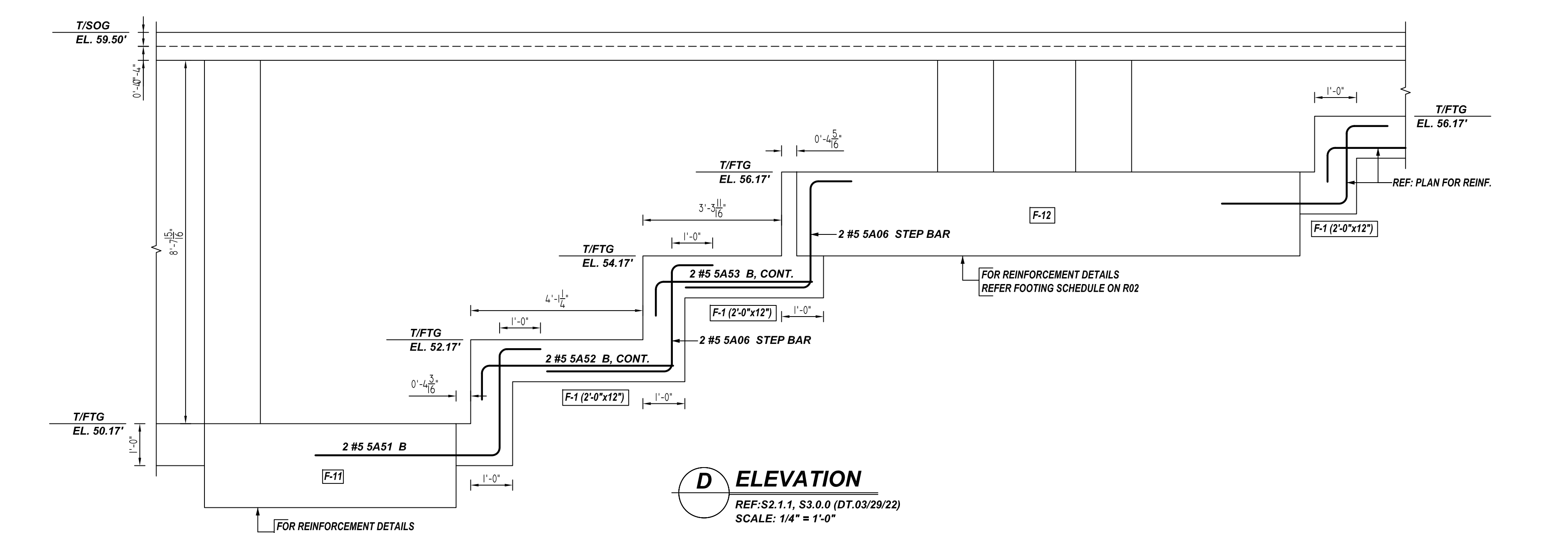
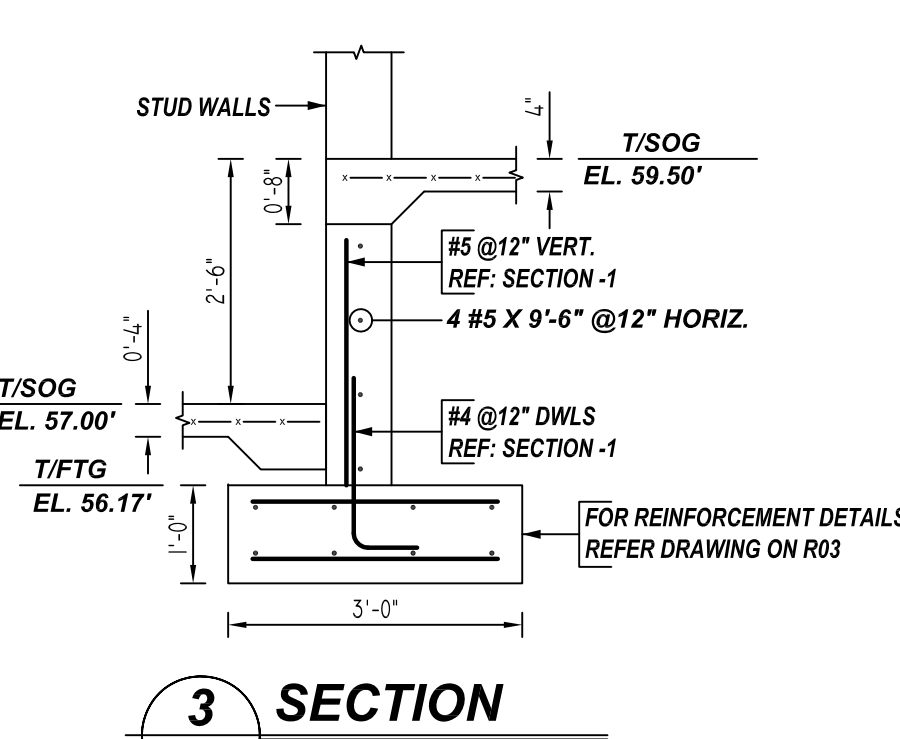
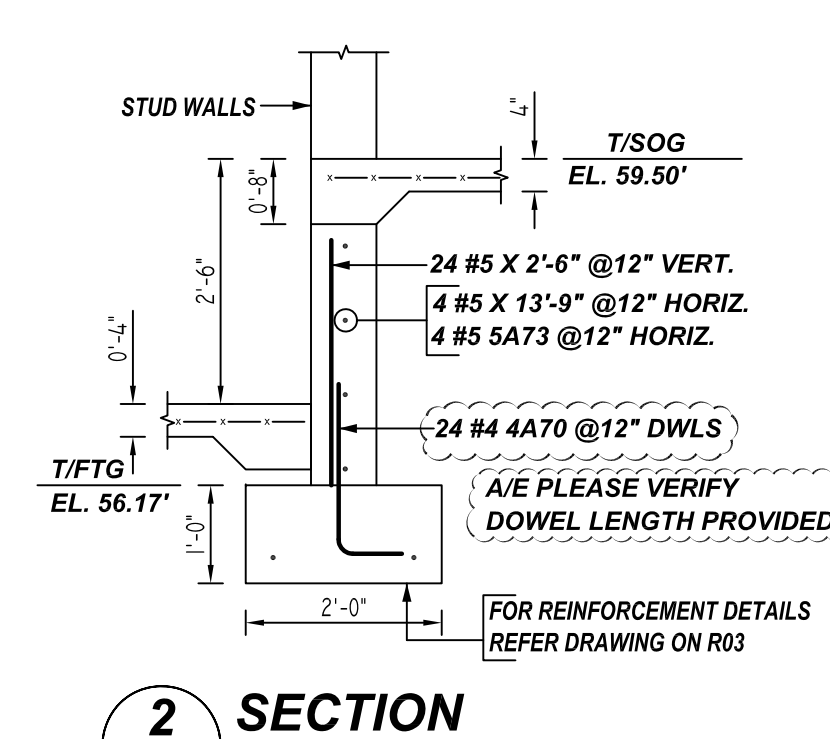
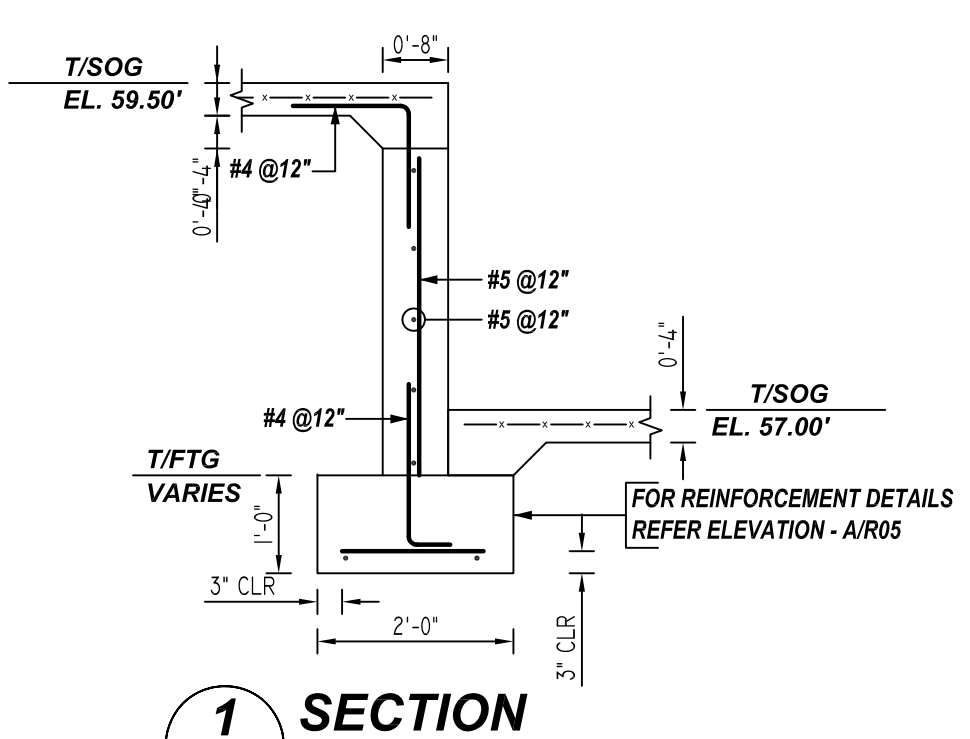
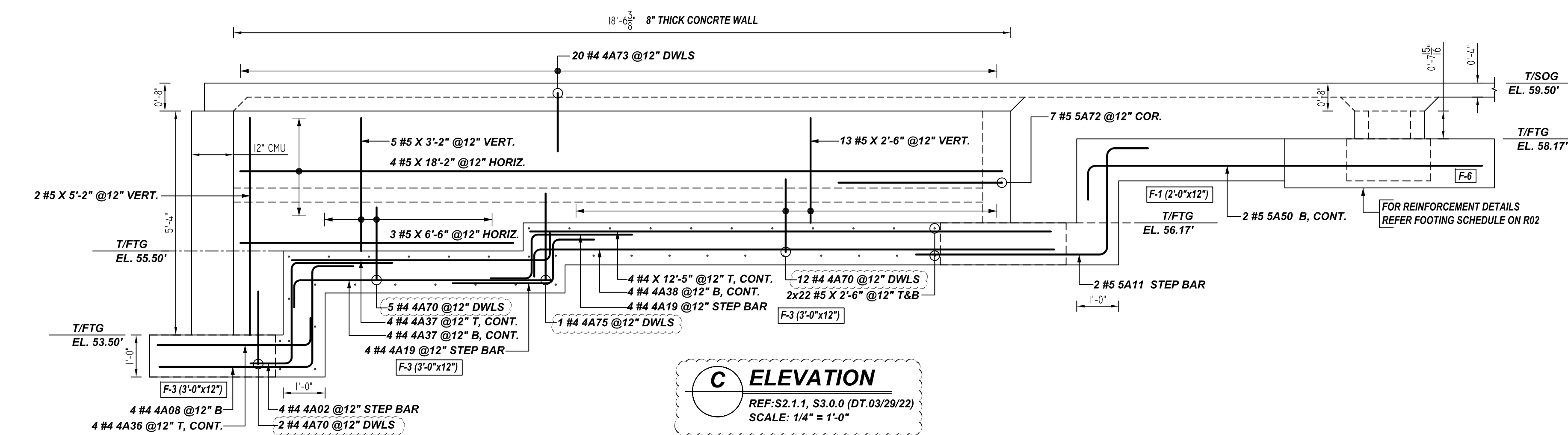
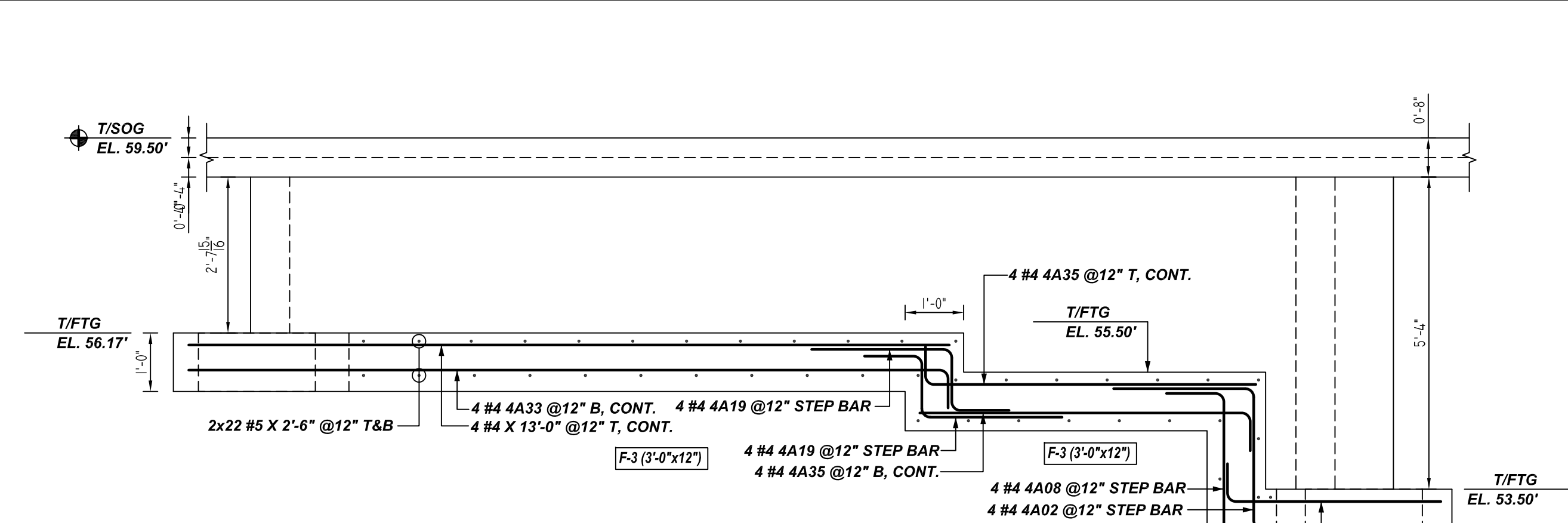
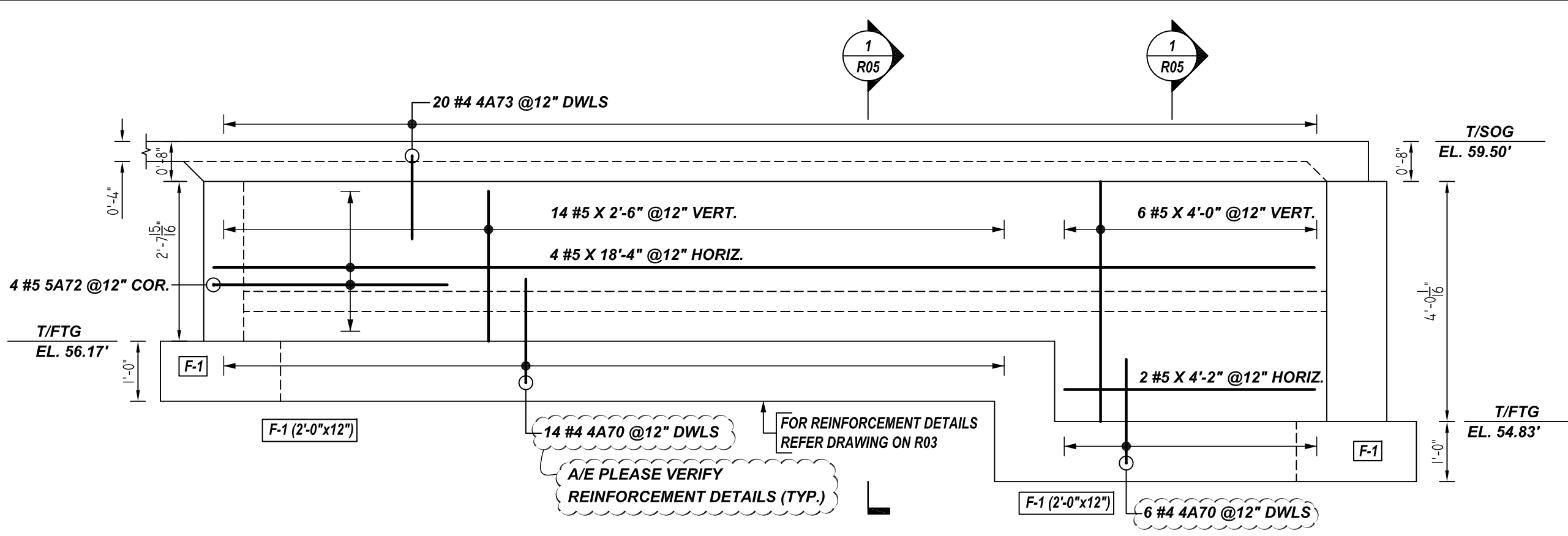
CUSTOMER: --
DESIGNER: --

0	06.15.21	APPROVAL				DRAWN BY	DATE	JOB NO	SHEET NO.
REV NO	DATE	SENT FOR	REV NO	DATE	SENT FOR	RTE	06.15.21	--	R04

NOTICE

SHORTAGES, IMPROPER FABRICATION OR CLAIMS FOR ANY OTHER REASON MUST BE REPORTED TO THIS COMPANY WITHIN 10 DAYS FROM ORIGINAL DELIVERY. THIS COMPANY ALSO RESERVES THE RIGHT TO FIELD INSPECT MATERIALS PRIOR TO REPLACEMENT OR RECONDITIONING OF MATERIALS AND WILL NOT BE LIABLE FOR CHARGES FROM WORK DONE IN THE FIELD WITHOUT PRIOR AUTHORIZATION FROM THIS COMPANY.

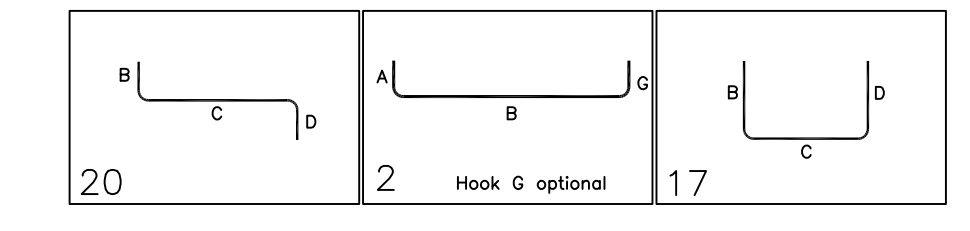
REINFORCING STEEL PLACING DRAWING ONLY. USE IN CONJUNCTION WITH CONTRACT DRAWINGS & SPECIFICATIONS. ELEVATIONS & DIMENSIONS SHOWN ON DRAWING ARE FOR DETAILING PURPOSES ONLY AND SHOULD NOT BE USED FOR CONSTRUCTION UNLESS VERIFIED BY ENGINEER OR CONTRACTOR.



Bar Mark	Qty	Size	Total Length	Type	X'	Y'	Y'	Y'	Y'	Y'	Y'	Y'	Y'	Y'	Y'	Y'
4A02	8	#4	5'-10"	20			2'-5"	2'-5"	1'-0"							
4A08	8	#4	7'-1"	20			3'-8"	2'-5"	1'-0"							
4A19	16	#4	4'-6"	20			2'-5"	1'-11"	1'-0"							
4A33	4	#4	13'-8"	2			0'-8"	13'-0"								
4A35	8	#4	6'-4"	2			0'-8"	5'-8"								
4A36	8	#4	4'-4"	2			0'-8"	3'-8"								
4A37	8	#4	6'-10"	2			0'-8"	6'-2"								
4A38	4	#4	13'-1"	2			0'-8"	12'-5"								
4A70	63	#4	2'-5"	2			0'-8"	1'-9"								
4A73	40	#4	5'-4"	17			2'-0"	2'-0"	1'-4"							
4A75	1	#4	2'-9"	2			0'-8"	2'-11"								
5A06	4	#5	6'-7"	20			3'-0"	2'-7"	1'-0"							
5A11	2	#5	8'-2"	20			4'-7"	2'-7"	1'-0"							
5A50	2	#5	10'-3"	2			0'-10"	9'-5"								
5A51	2	#5	8'-0"	20			4'-5"	2'-7"	1'-0"							
5A52	2	#5	5'-5"	2			0'-10"	4'-7"								
5A53	2	#5	4'-7"	2			0'-10"	3'-9"								
5A72	11	#5	7'-10"	17			3'-11"	3'-11"								
5A73	4	#5	8'-4"	20			3'-11"	0'-6"	3'-11"							
5A74	30	#5	6'-0"	17			3'-0"	3'-0"								

TYPICAL REINFORCING BAR CLEARANCE TABLE	
LOCATION	MIN. COVER
FOOTING BOTTOM & SIDE	3" CLR
FOOTING TOP	2" CLR

**ALL BARS IN THIS DRAWING
ASTM A615 GRADE 60
BLACK UNCOATED**



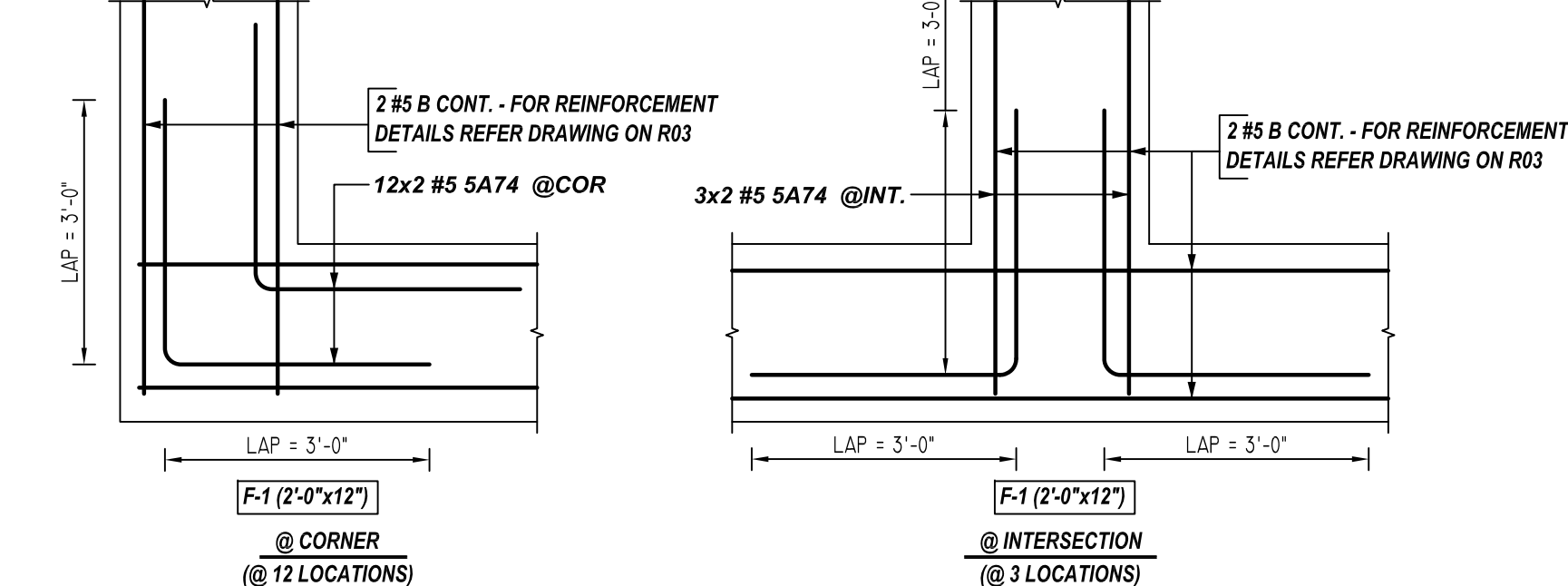
REBAR GRADE 60 ASTM A-615

SPLICES USED		ABBREVIATIONS		BAR MARK SIZE EQUIVALENT	
CLASS B 3,000 psi UNO				Imperial	Soft Metric
#3	28"	#3	22"	#3	#10
#4	37"	#4	29"	#4	#13
#5	47"	#5	36"	#5	#16
#6	56"	#6	43"	#6	#19
#7	81"	#7	63"	#7	#22
#8	93"	#8	72"	#8	#25
#9	105"	#9	81"	#9	#29
#10	118"	#10	91"	#10	#32
#11	131"	#11	101"	#11	#36
#14		#14			

CANTON OVERLOOK
BUILDING 1 - FOUNDATION REINFORCEMENT DETAILS
1617 BROENING HIGHWAY, BALTIMORE MD 21224

CUSTOMER: --
DESIGNER: --

REV NO	DATE	APPROVAL	REV NO	DATE	SENT FOR
0	06.15.21				



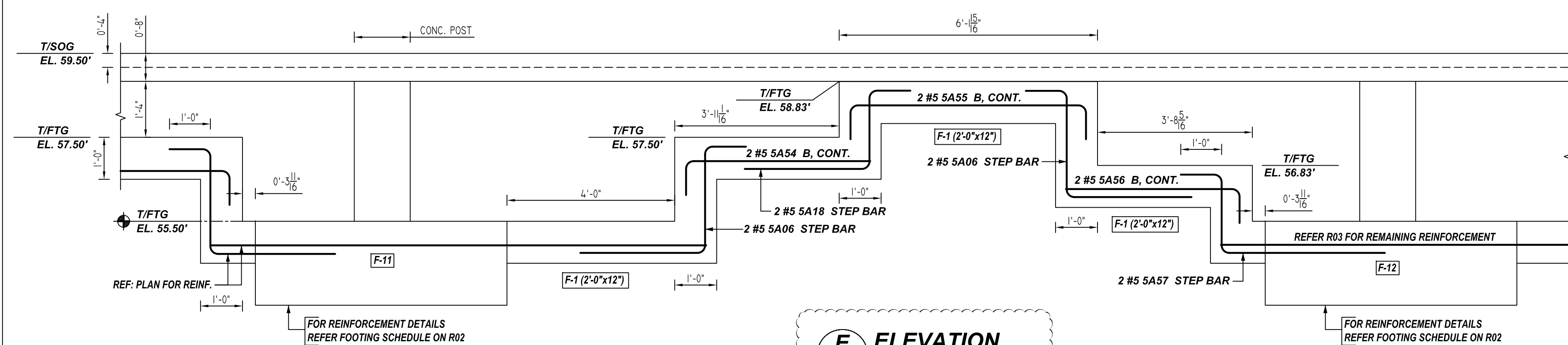
06.15.21 APPROVAL
RTE 06.15.21

JOB NO: --
SHEET NO: **R05**

NOTICE

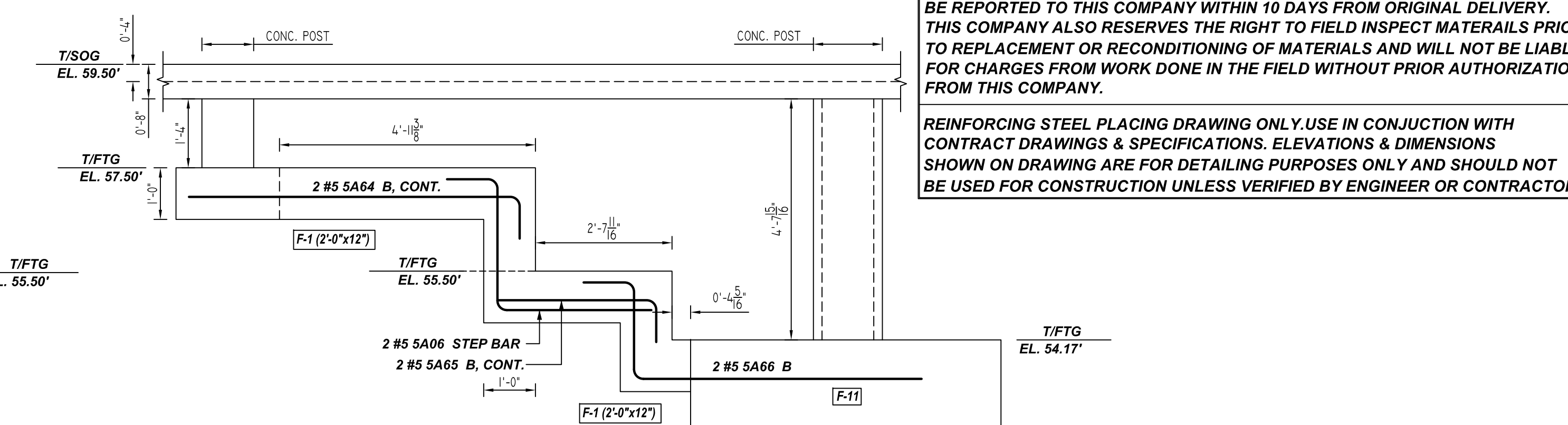
SHORTAGES, IMPROPER FABRICATION OR CLAIMS FOR ANY OTHER REASON MUST BE REPORTED TO THIS COMPANY WITHIN 10 DAYS FROM ORIGINAL DELIVERY. THIS COMPANY ALSO RESERVES THE RIGHT TO FIELD INSPECT MATERIALS PRIOR TO REPLACEMENT OR RECONDITIONING OF MATERIALS AND WILL NOT BE LIABLE FOR CHARGES FROM WORK DONE IN THE FIELD WITHOUT PRIOR AUTHORIZATION FROM THIS COMPANY.

REINFORCING STEEL PLACING DRAWING ONLY. USE IN CONJUNCTION WITH CONTRACT DRAWINGS & SPECIFICATIONS. ELEVATIONS & DIMENSIONS SHOWN ON DRAWING ARE FOR DETAILING PURPOSES ONLY AND SHOULD NOT BE USED FOR CONSTRUCTION UNLESS VERIFIED BY ENGINEER OR CONTRACTOR.

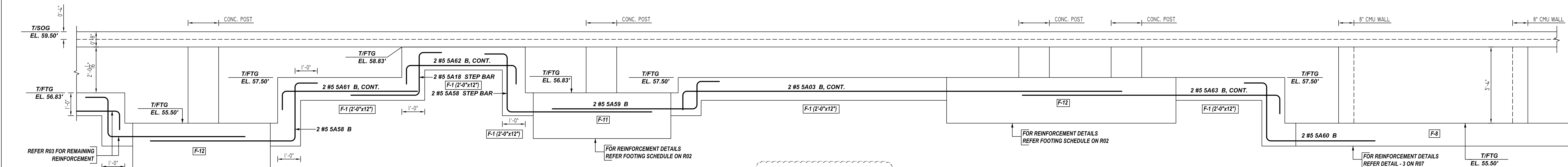


E ELEVATION
REF: S2.1.1, S3.0.0 (DT.03/29/22)
SCALE: 1/4" = 1'-0"

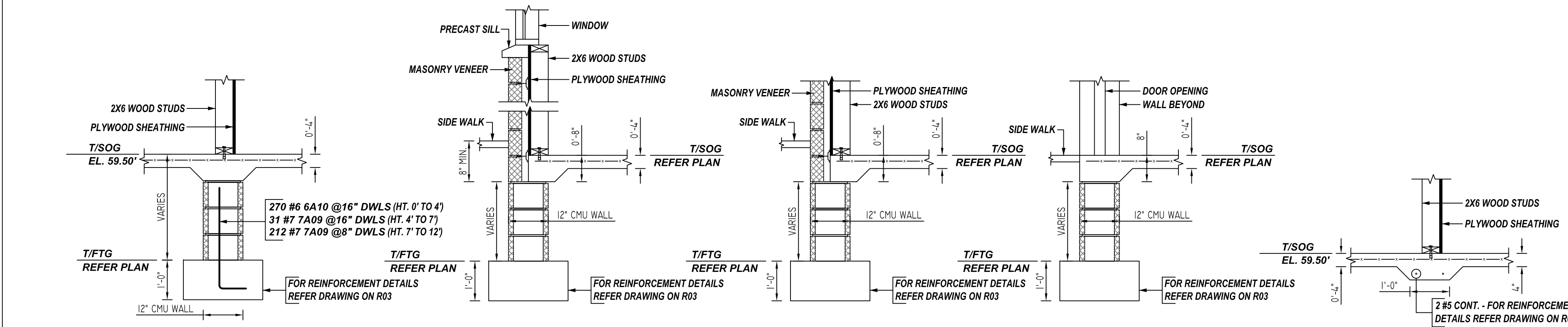
A/E PLEASE VERIFY STEP FOOTING DETAIL & REINFORCEMENT PROVIDED (TYP.)



G ELEVATION
REF: S2.1.1, S3.0.0 (DT.03/29/22)
SCALE: 1/4" = 1'-0"



F ELEVATION
REF: S2.1.1, S3.0.0 (DT.03/29/22)
SCALE: 1/4" = 1'-0"



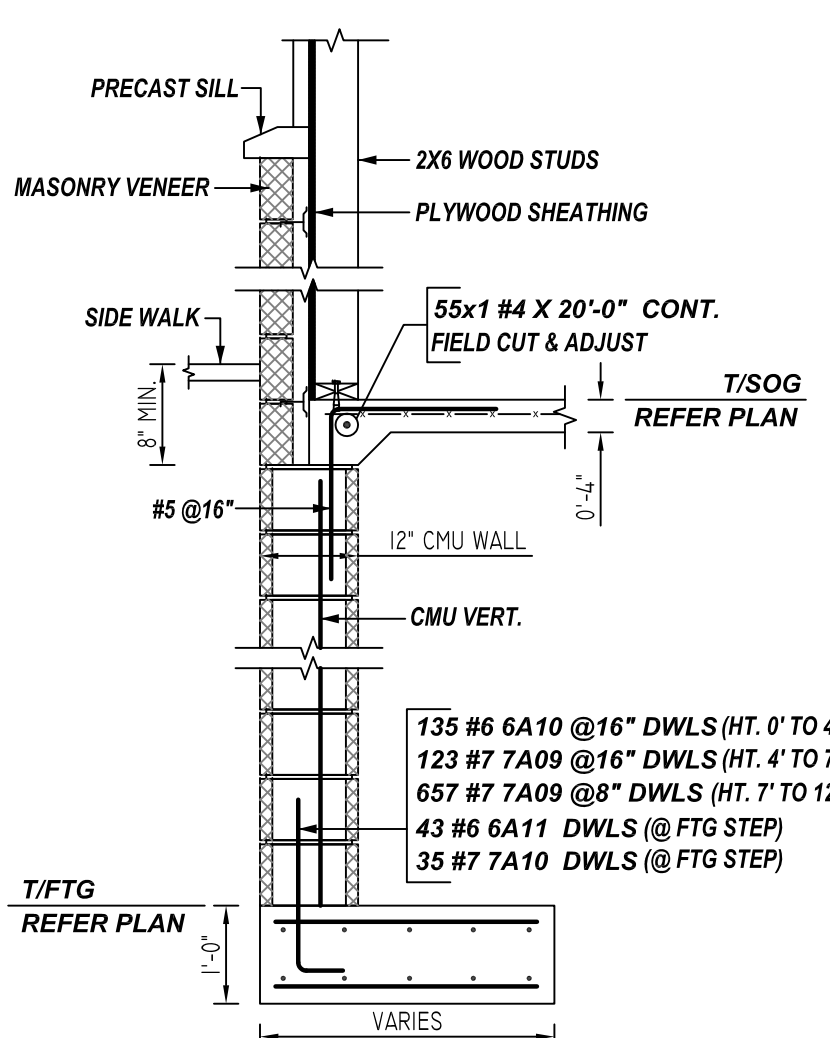
4 SECTION
REF: S2.1.1, S3.0.0 (DT.03/29/22)
SCALE: 1/2" = 1'-0"

5 SECTION
REF: S2.1.1, S3.0.0 (DT.03/29/22)
SCALE: 1/2" = 1'-0"

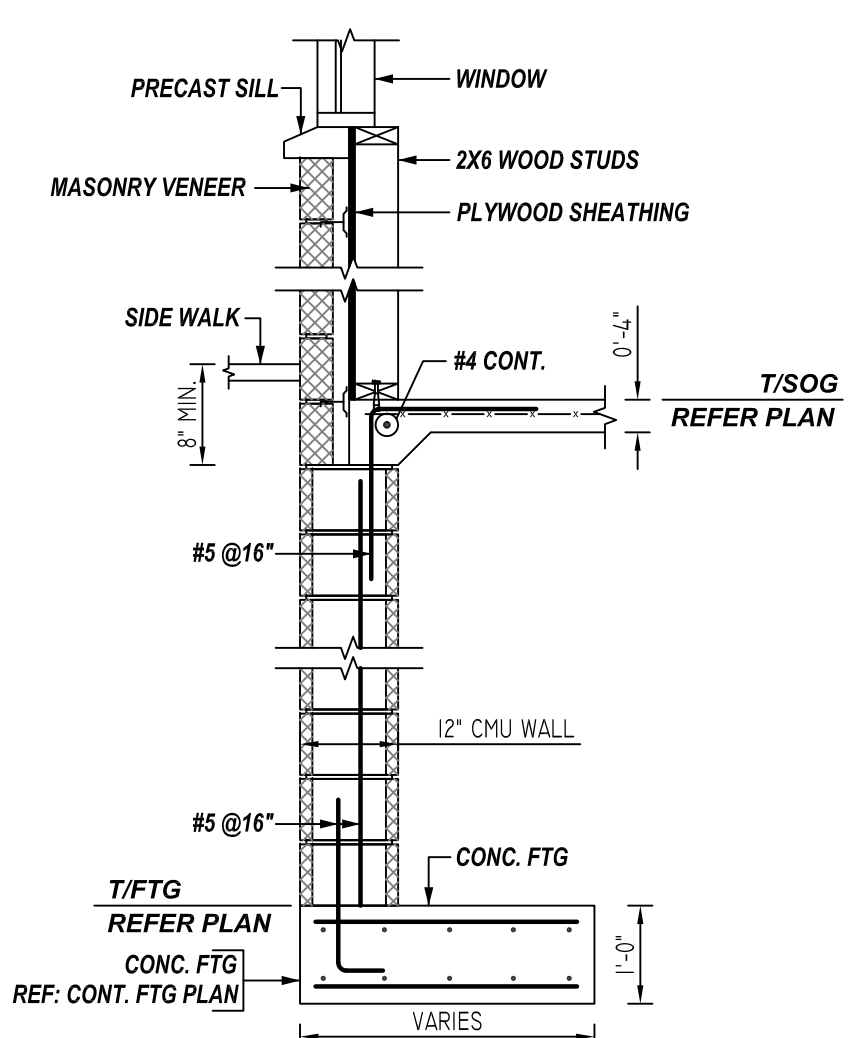
6 SECTION
REF: S2.1.1, S3.0.0 (DT.03/29/22)
SCALE: 1/2" = 1'-0"

7 SECTION
REF: S2.1.1, S3.0.0 (DT.03/29/22)
SCALE: 1/2" = 1'-0"

8 SECTION
REF: S2.1.1, S3.0.0 (DT.03/29/22)
SCALE: 1/2" = 1'-0"



9 SECTION
REF: S2.1.1, S3.0.0 (DT.03/29/22)
SCALE: 1/2" = 1'-0"

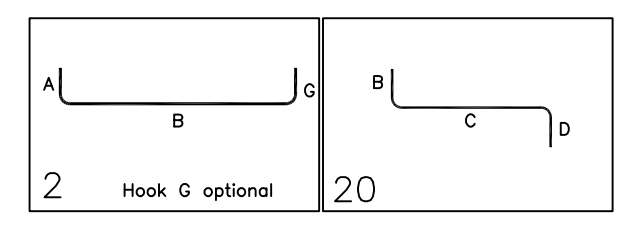


10 SECTION
REF: S2.1.1, S3.0.0 (DT.03/29/22)
SCALE: 1/2" = 1'-0"

TYPICAL REINFORCING BAR CLEARANCE TABLE	
LOCATION	MIN. COVER
FOOTING BOTTOM & SIDE	3" CLR
FOOTING TOP	2" CLR

**ALL BARS IN THIS DRAWING
ASTM A615 GRADE 60
BLACK UNCOATED**

Bar Mark	Qty	Size	Total Length	Type	X	Y	Z	W	V	U	T	S	R	Q	P	O	N	M	L	K	J	I	H	G	F	E	D	C	B	A
5A03	2	#5	20'-0"	2	0'-10"	19'-2"																								
5A06	6	#5	6'-7"	20	3'-0"	2'-7"	1'-0"																							
5A18	4	#5	5'-11"	20	3'-0"	1'-11"	1'-0"																							
5A54	2	#5	5'-3"	2	0'-10"	4'-5"																								
5A55	2	#5	7'-4"	2	0'-10"	5'-8"																								
5A56	2	#5	5'-0"	2	0'-10"	4'-2"																								
5A57	2	#5	6'-10"	20	5'-11"	1'-11"	1'-0"																							
5A58	4	#5	9'-11"	20	6'-4"	2'-7"	1'-0"																							
5A59	2	#5	8'-7"	20	6'-4"	1'-3"	1'-0"																							
5A60	2	#5	8'-4"	20	4'-4"	2'-7"	1'-0"																							
5A61	2	#5	6'-9"	2	0'-10"	5'-11"																								
5A62	2	#5	6'-6"	2	0'-10"	4'-10"																								
5A63	2	#5	12'-1"	2	0'-10"	11'-3"																								
5A64	2	#5	7'-3"	2	0'-10"	6'-5"																								
5A65	2	#5	3'-11"	2	0'-10"	3'-1"																								
5A66	2	#5	8'-5"	20	5'-7"	1'-11"	1'-0"																							
6A10	405	#6	4'-0"	2	1'-0"	3'-0"																								
6A11	43	#6	6'-0"	2	1'-0"	5'-0"																								
7A09	1023	#7	4'-7"	2	1'-2"	3'-5"																								
7A10	35	#7	6'-7"	2	1'-2"	5'-5"																								



REBAR GRADE 60 ASTM A-615

SPLICES USED		ABBREVIATIONS		BAR MARK SIZE EQUIVALENT	
CLASS B 3,000 psi UNO				Imperial	Soft Metric
TOP BARS	OTHER BARS	ADD.	Additional	#3	#10
#3 28"	#3 22"	B.O.W.	Bottom of wall	#4	#13
#4 37"	#4 29"	C.B.	Corner Bars	#5	#16
#5 47"	#5 36"	DIAG.	Diagonal	#6	#19
#6 56"	#6 43"	D.O.	Door Opening	#7	#22
#7 81"	#7 63"	D.W.S.	Dowels	#8	#25
#8 93"	#8 72"	E.F.	Each Face	#9	#29
#9 105"	#9 81"	E.S.	Each Side	#10	#32
#10 118"	#10 91"	E.W.	Each Way	#11	#36
#11 131"	#11 101"	FTG.	Footing		
#14	#14	F.F.	Far Face		
		HORIZ.	Horizontal		
		I.F.	Inside Face		
		INTERS.	Intersection		
		L.W.	long Way		
		N.F.	Near Face		
		O.F.	Outside Face		
		S.W.	Short Way		
		T&B	Top & Bottom		
		T.O.W.	Top of Wall		
		Trans.	Transverse		
		VERT.	Vertical		

A/E PLEASE VERIFY LAP SCHEDULE PROVIDED.

CANTON OVERLOOK
BUILDING 1 - FOUNDATION REINFORCEMENT DETAILS
1617 BROENING HIGHWAY, BALTIMORE MD 21224

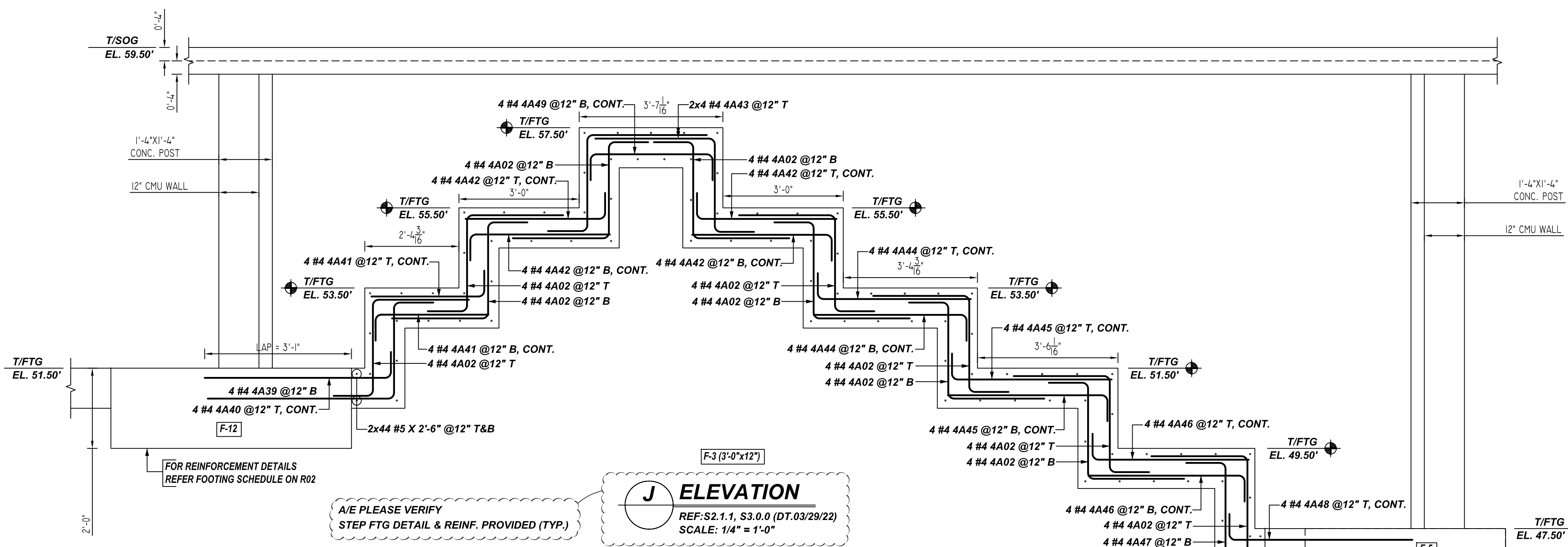
CUSTOMER: --
DESIGNER: --

REV NO	DATE	APPROVAL	REV NO	DATE	SENT FOR	DRAWN BY	DATE	JOB NO	SHEET NO.
0	06.15.21					RTE	06.14.21	--	R06

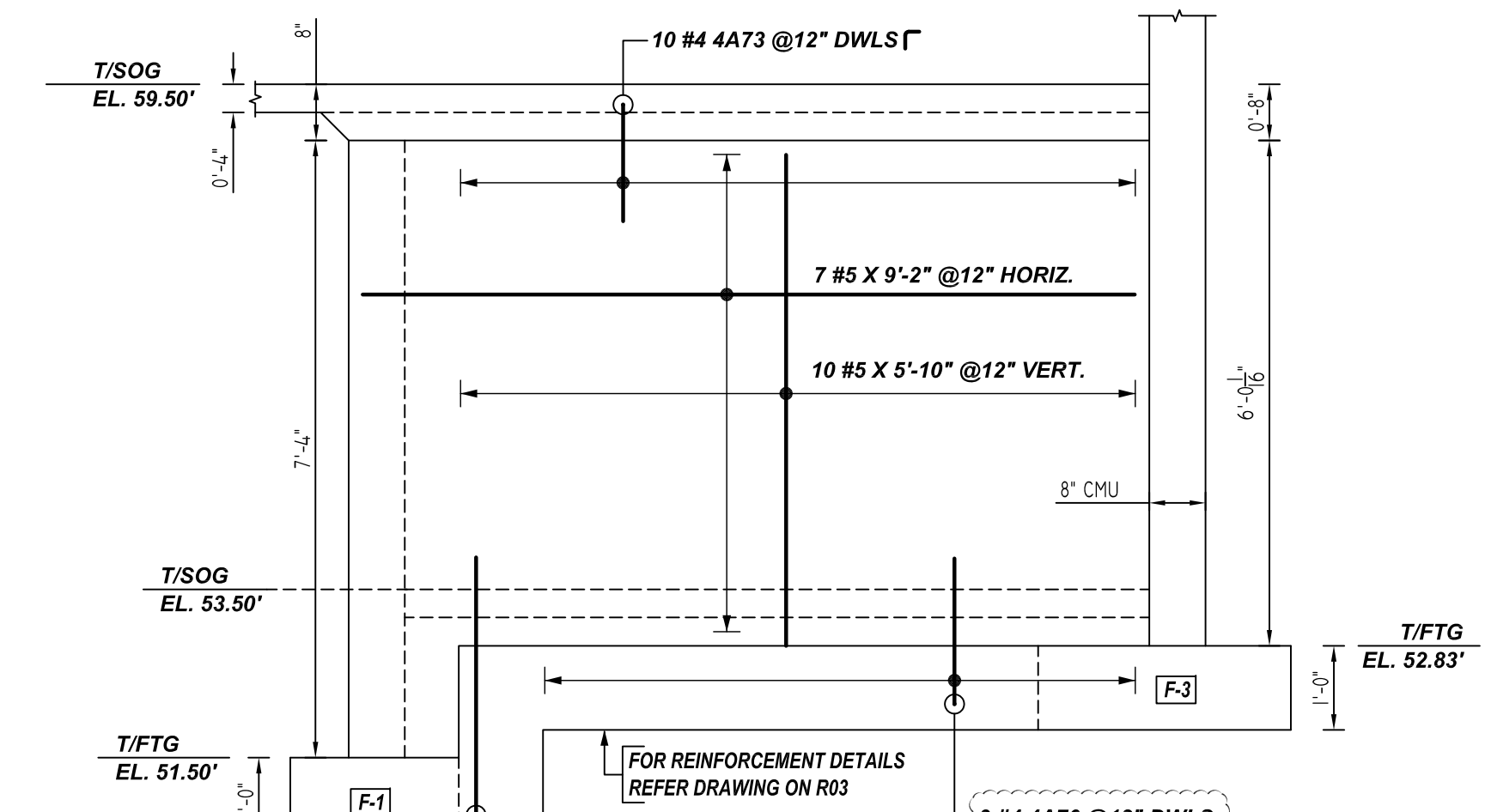
NOTICE

SHORTAGES, IMPROPER FABRICATION OR CLAIMS FOR ANY OTHER REASON MUST BE REPORTED TO THIS COMPANY WITHIN 10 DAYS FROM ORIGINAL DELIVERY. THIS COMPANY ALSO RESERVES THE RIGHT TO FIELD INSPECT MATERIALS PRIOR TO REPLACEMENT OR RECONDITIONING OF MATERIALS AND WILL NOT BE LIABLE FOR CHARGES FROM WORK DONE IN THE FIELD WITHOUT PRIOR AUTHORIZATION FROM THIS COMPANY.

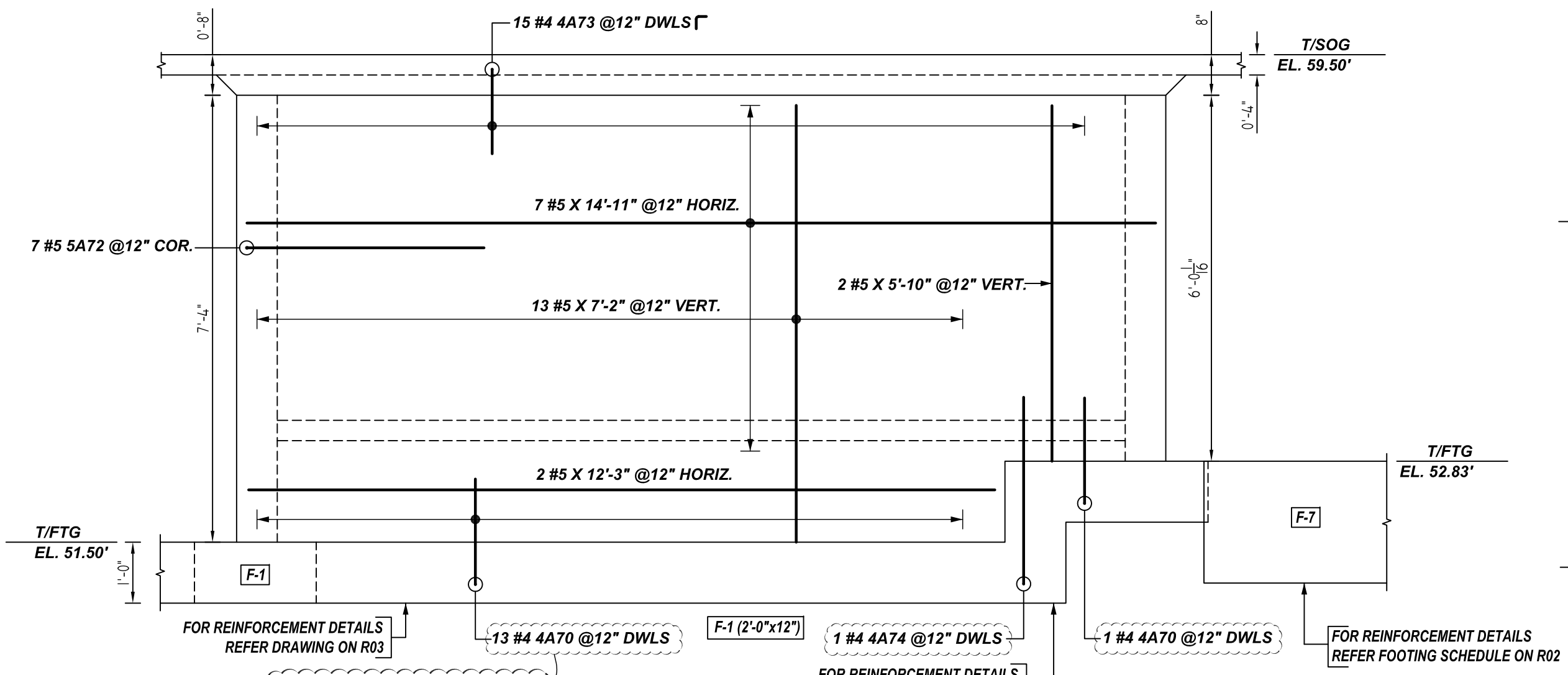
REINFORCING STEEL PLACING DRAWING ONLY USE IN CONJUNCTION WITH CONTRACT DRAWINGS & SPECIFICATIONS. ELEVATIONS & DIMENSIONS SHOWN ON DRAWING ARE FOR DETAILING PURPOSES ONLY AND SHOULD NOT BE USED FOR CONSTRUCTION UNLESS VERIFIED BY ENGINEER OR CONTRACTOR.



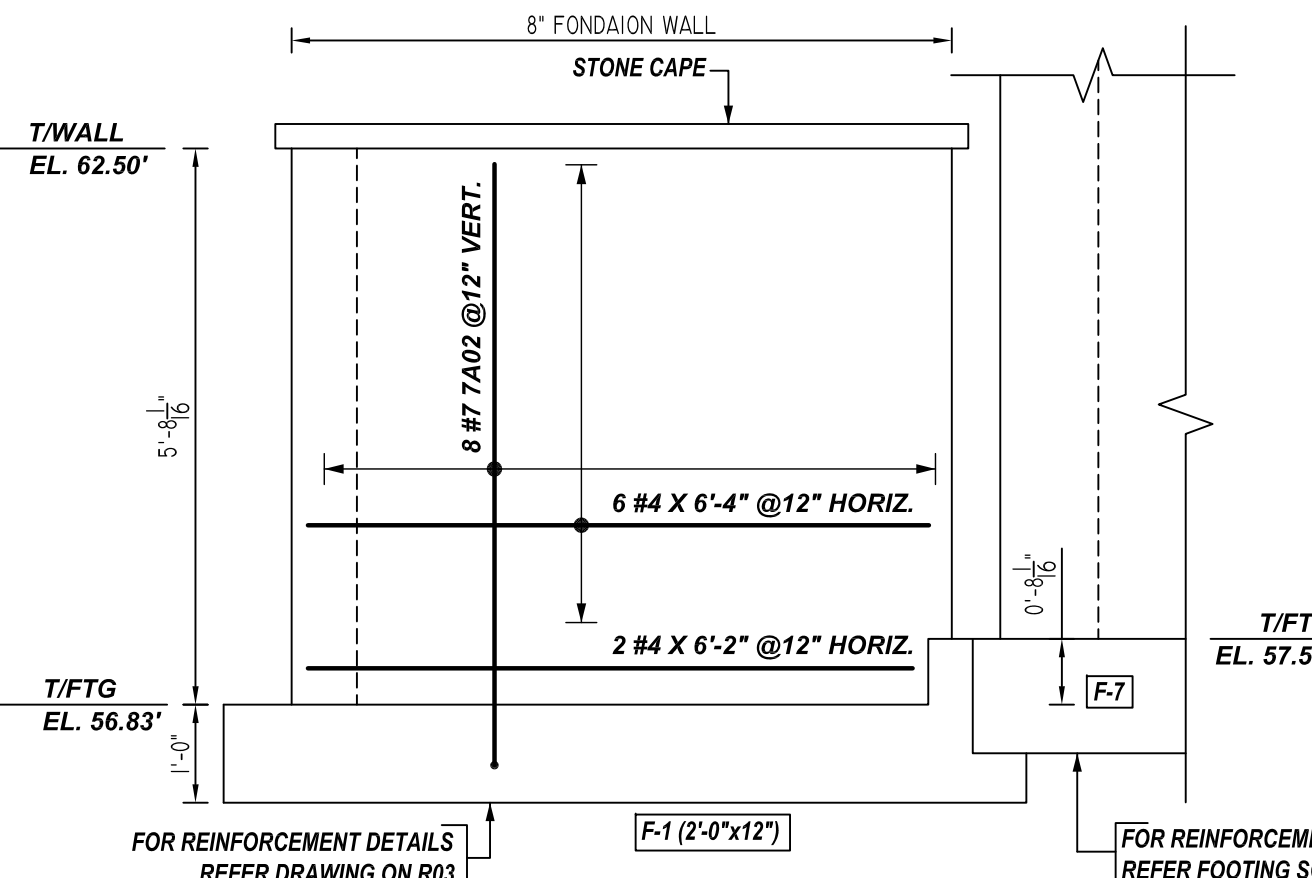
J ELEVATION
REF: S2.1.1, S3.0.0 (DT.03/29/22)
SCALE: 1/4" = 1'-0"



K ELEVATION
REF: S2.1.1, S3.0.6 (DT.03/29/22)
SCALE: 1/2" = 1'-0"

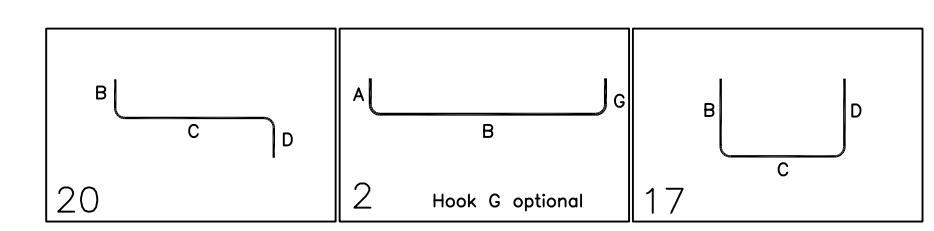


L ELEVATION
REF: S2.1.1, S3.0.6 (DT.03/29/22)
SCALE: 1/2" = 1'-0"



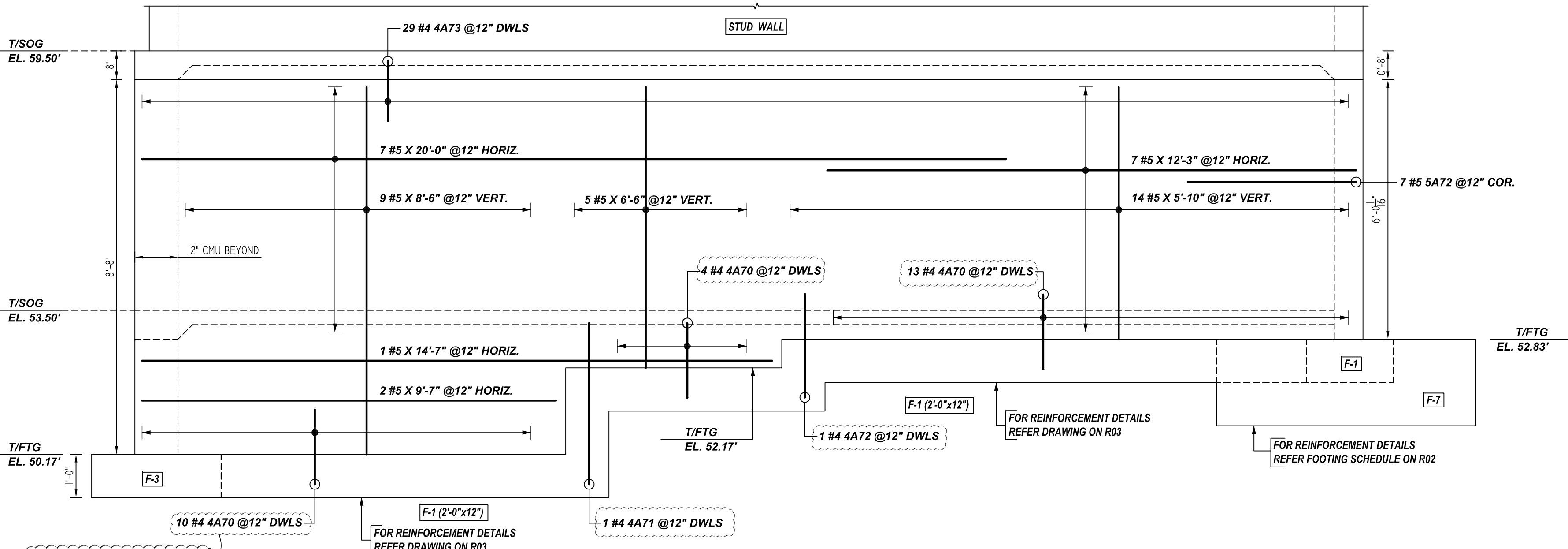
N ELEVATION
REF: S2.1.1, S3.0.6 (DT.03/29/22)
SCALE: 1/2" = 1'-0"

Bar Mark	Qty	Size	Total Length	Type	X	Y	Z	W	V	U	Y	Z	V	U	Y
4A2	46	#4	5'-10"	20			2'-5"	2'-5"	1'-0"						
4A3	4	#4	8'-1"	20			4'-8"	2'-5"	1'-0"						
4A4	4	#4	5'-4"	2	0'-8"		4'-8"								
4A1	8	#4	3'-8"	2	0'-8"		2'-10"								
4A2	16	#4	4'-2"	2	0'-8"		3'-8"								
4A3	8	#4	6'-5"	20			3'-0"	2'-5"	1'-0"						
4A4	8	#4	4'-8"	2	0'-8"		3'-10"								
4A5	8	#4	4'-8"	2	0'-8"		4'-0"								
4A6	8	#4	4'-7"	2	0'-8"		3'-11"								
4A7	4	#4	8'-0"	20			4'-7"	2'-5"	1'-0"						
4A8	4	#4	5'-3"	2	0'-8"		4'-7"								
4A9	4	#4	4'-5"	2	0'-8"		3'-7"								
4A0	50	#4	2'-5"	2	0'-8"		1'-9"								
4A1	1	#4	4'-5"	2	0'-8"		3'-9"								
4A2	8	#4	3'-1"	2	0'-8"		2'-5"								
4A3	54	#4	5'-4"	17			2'-0"	1'-4"							
4A4	2	#4	3'-8"	2	0'-8"		3'-7"								
5A2	14	#5	7'-10"	17			3'-11"	3'-11"							
7A2	8	#7	6'-10"	17			6'-2"	0'-8"							



LOCATION	MIN. COVER
FOOTING BOTTOM & SIDE	3" CLR
FOOTING TOP	2" CLR

**ALL BARS IN THIS DRAWING
ASTM A615 GRADE 60
BLACK UNCOATED**



M ELEVATION
REF: S2.1.1, S3.0.6 (DT.03/29/22)
SCALE: 1/2" = 1'-0"

REBAR GRADE 60 ASTM A-615

SPLICES USED		ABBREVIATIONS		BAR MARK SIZE EQUIVALENT	
CLASS B 3,000 psi UNO		ADD. = Additional		Imperial	
#3 28"	#3 22"	B.O.W. = Bottom of wall		#4	#10
#4 37"	#4 29"	C.B. = Corner Bars		#5	#16
#5 47"	#5 36"	DIAG. = Diagonal		#6	#19
#6 56"	#6 43"	D.O. = Door Opening		#7	#22
#7 81"	#7 63"	D.W.L.S. = Dowels		#8	#25
#8 93"	#8 72"	E.F. = Each Face		#9	#29
#9 105"	#9 81"	E.S. = Each Side		#10	#32
#10 118"	#10 91"	E.W. = Each Way		#11	#36
#11 131"	#11 101"	FTG. = Footing			
#14		F.F. = Far Face			
		HORIZ. = Horizontal			
		I.F. = Inside Face			
		INTERS. = Intersection			
		L.W. = long Way			
		N.F. = Near Face			
		O.F. = Outside Face			
		S.W. = Short Way			
		T&B = Top & Bottom			
		T.O.W. = Top of Wall			
		Trans. = Transverse			
		VERT. = Vertical			

CANTON OVERLOOK
BUILDING 1 - FOUNDATION REINFORCEMENT DETAILS
1617 BROENING HIGHWAY, BALTIMORE MD 21224

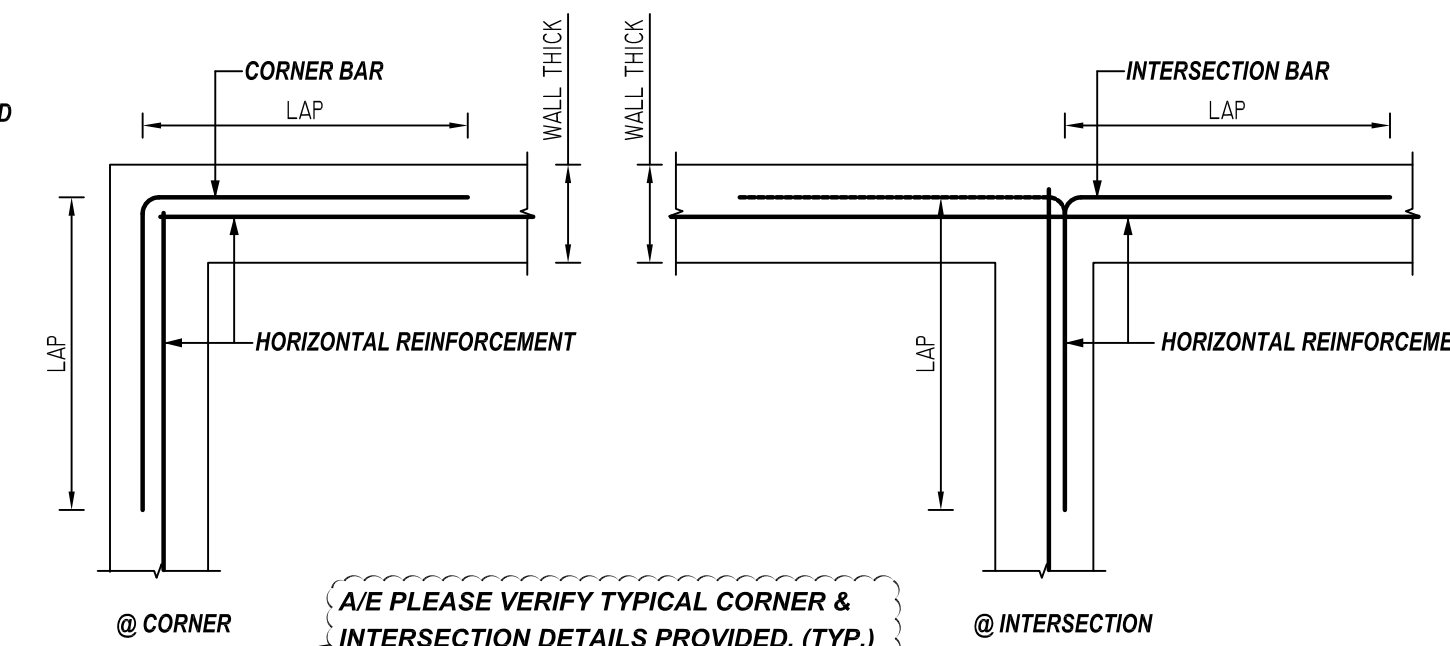
CUSTOMER: --	DESIGNER: --	DRAWN BY: RTE	DATE: 06.15.21	JOB NO: --	SHEET NO. R08
--------------	--------------	---------------	----------------	------------	---------------

REV NO	DATE	APPROVAL	REV NO	DATE	SENT FOR
0	06.15.21				

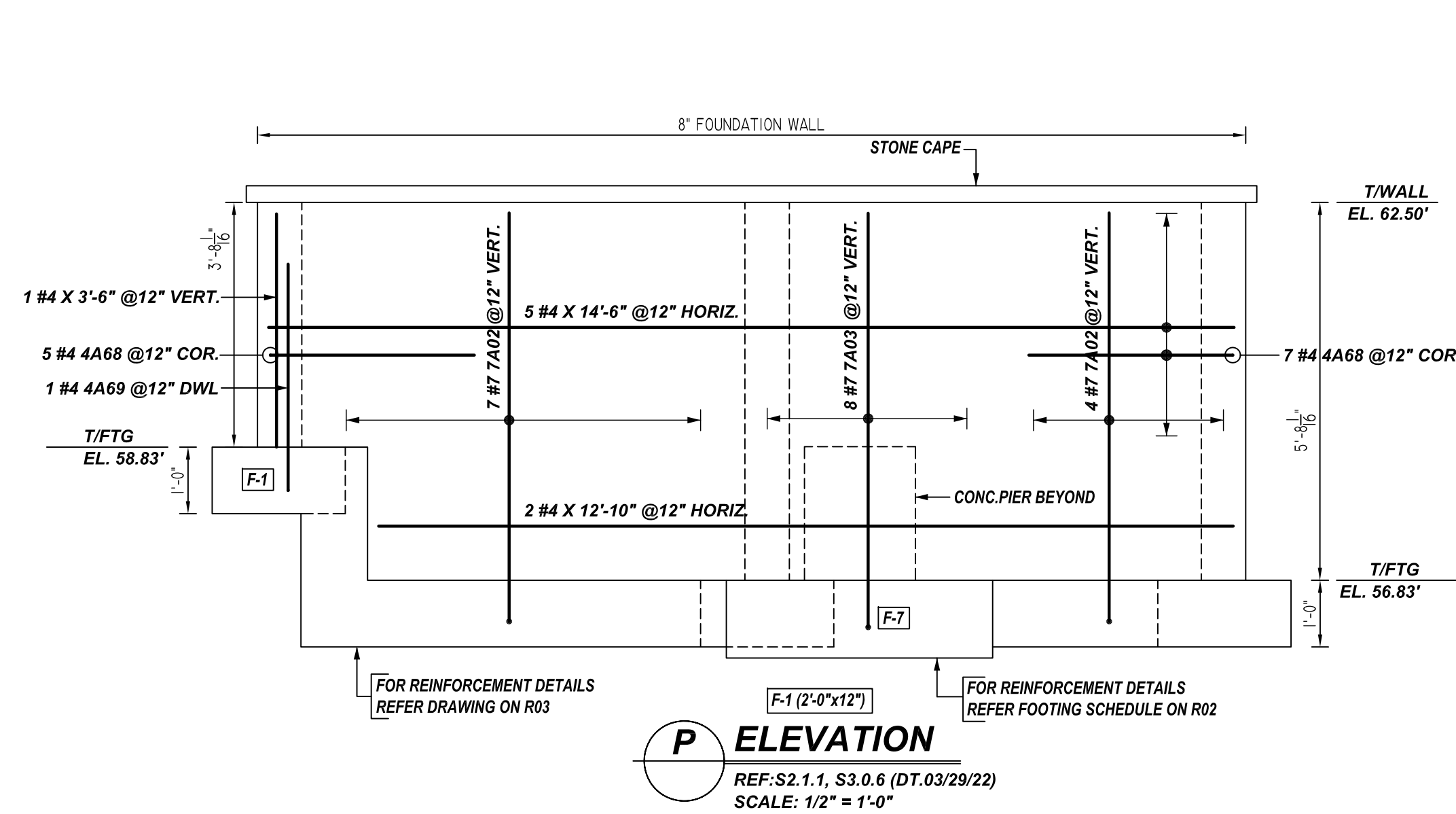
NOTICE

SHORTAGES, IMPROPER FABRICATION OR CLAIMS FOR ANY OTHER REASON MUST BE REPORTED TO THIS COMPANY WITHIN 10 DAYS FROM ORIGINAL DELIVERY. THIS COMPANY ALSO RESERVES THE RIGHT TO FIELD INSPECT MATERIALS PRIOR TO REPLACEMENT OR RECONDITIONING OF MATERIALS AND WILL NOT BE LIABLE FOR CHARGES FROM WORK DONE IN THE FIELD WITHOUT PRIOR AUTHORIZATION FROM THIS COMPANY.

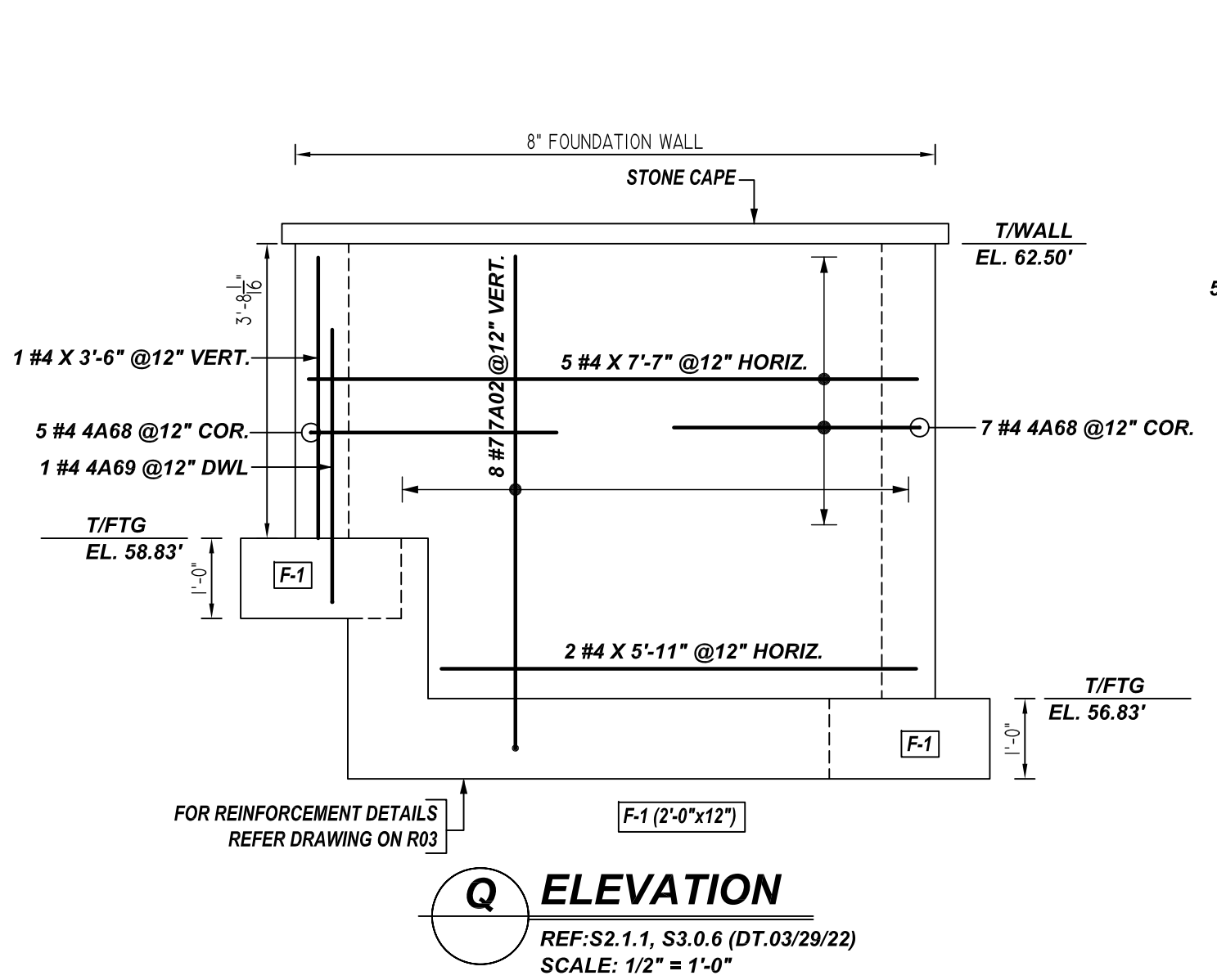
REINFORCING STEEL PLACING DRAWING ONLY. USE IN CONJUNCTION WITH CONTRACT DRAWINGS & SPECIFICATIONS. ELEVATIONS & DIMENSIONS SHOWN ON DRAWING ARE FOR DETAILING PURPOSES ONLY AND SHOULD NOT BE USED FOR CONSTRUCTION UNLESS VERIFIED BY ENGINEER OR CONTRACTOR.



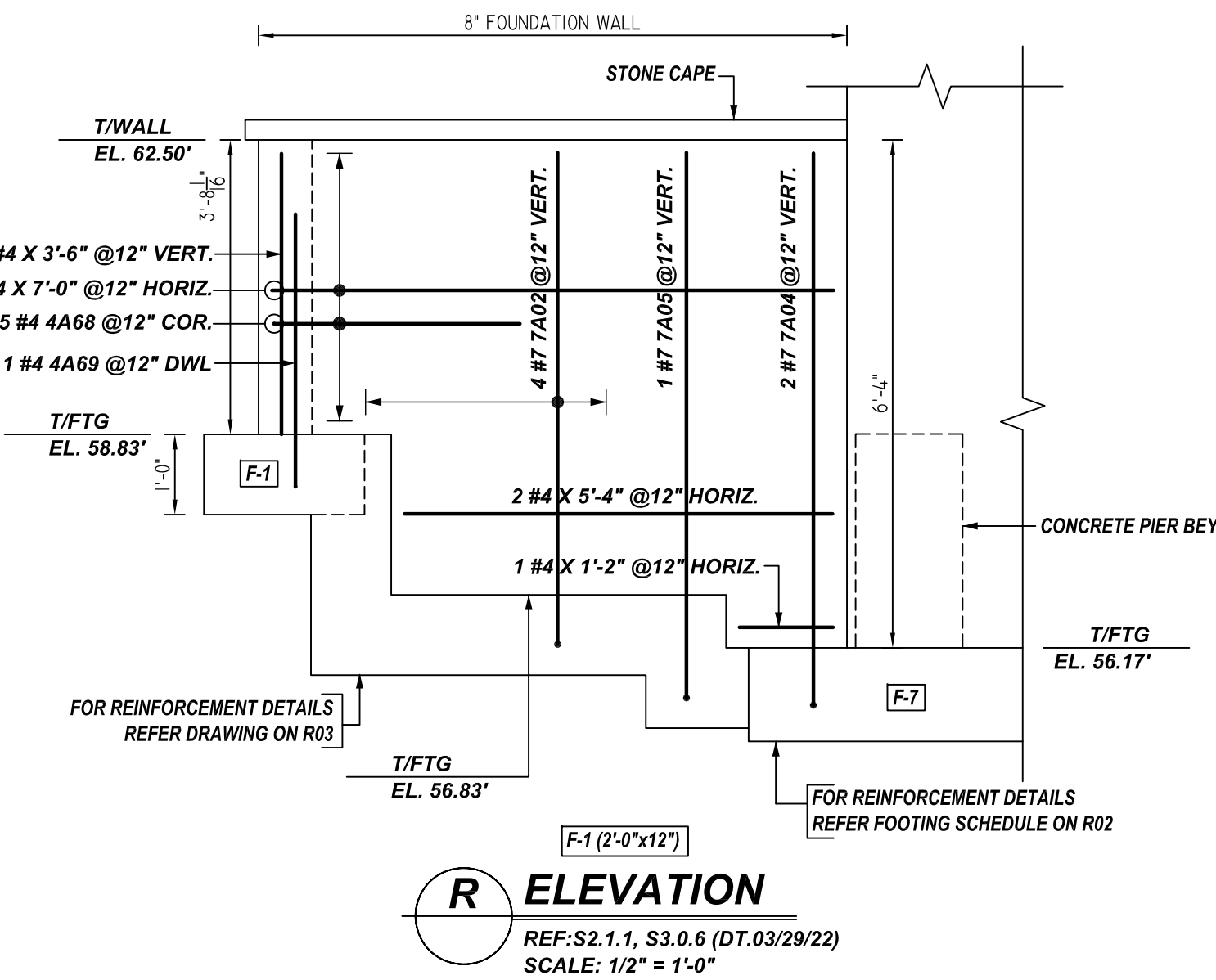
A/E PLEASE VERIFY TYPICAL CORNER & INTERSECTION DETAILS PROVIDED. (TYP.)
TYPICAL WALL DETAILS
SCALE: 1/2" = 1'-0"



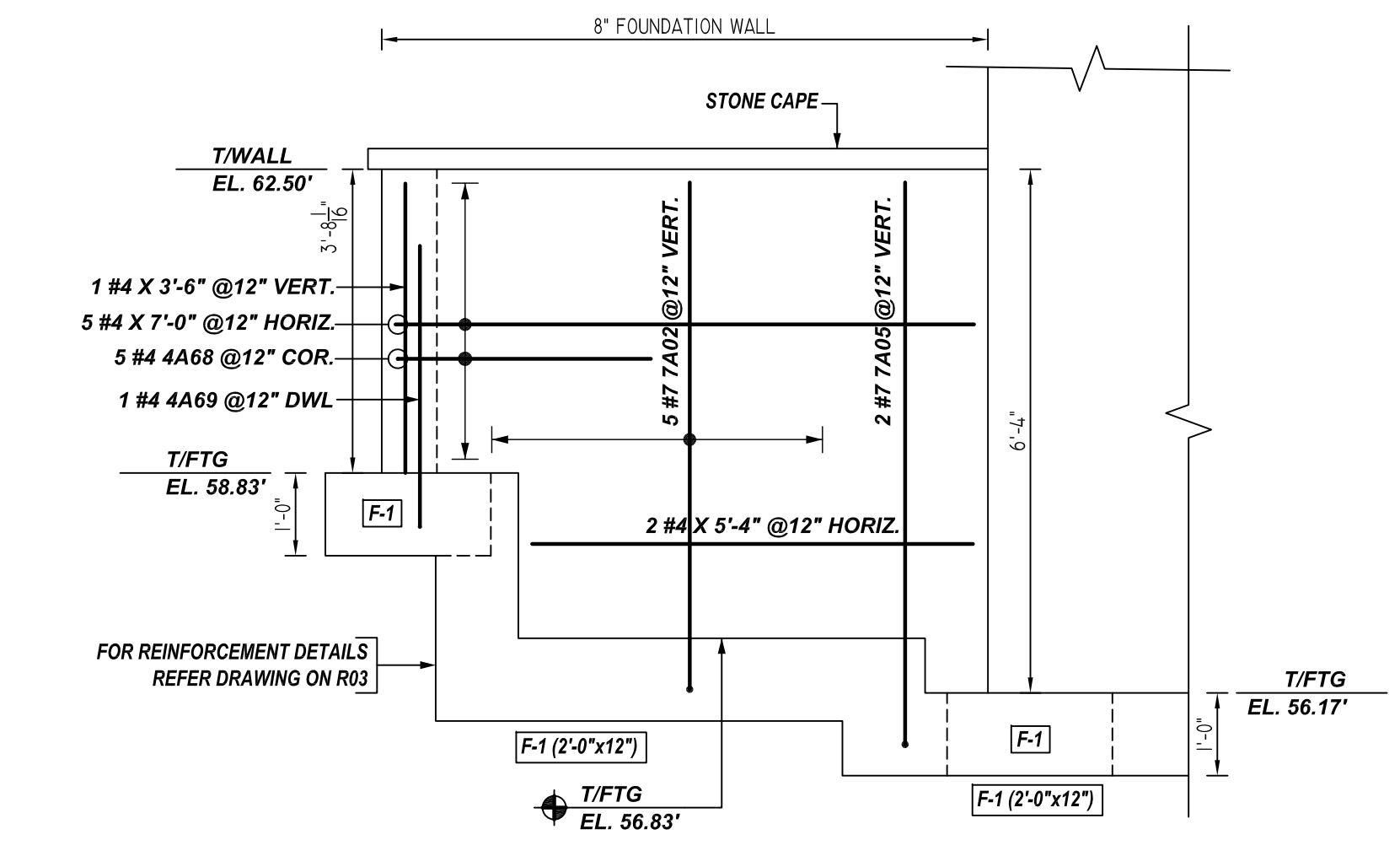
P ELEVATION
REF: S2.1.1, S3.0.6 (DT.03/29/22)
SCALE: 1/2" = 1'-0"



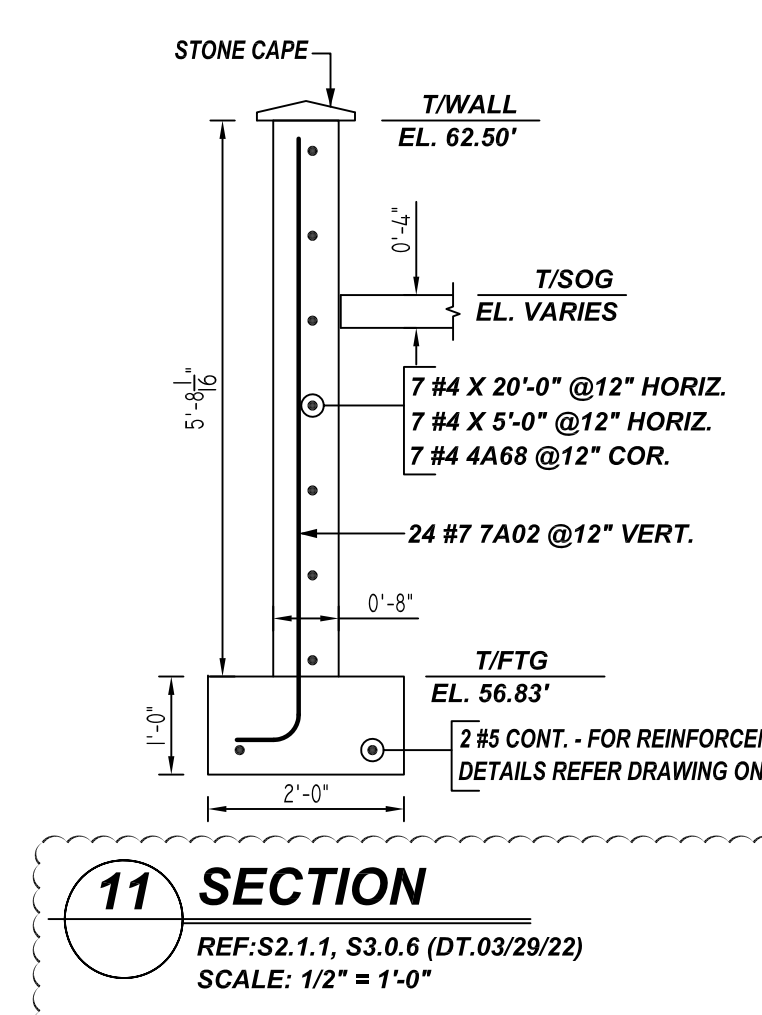
Q ELEVATION
REF: S2.1.1, S3.0.6 (DT.03/29/22)
SCALE: 1/2" = 1'-0"



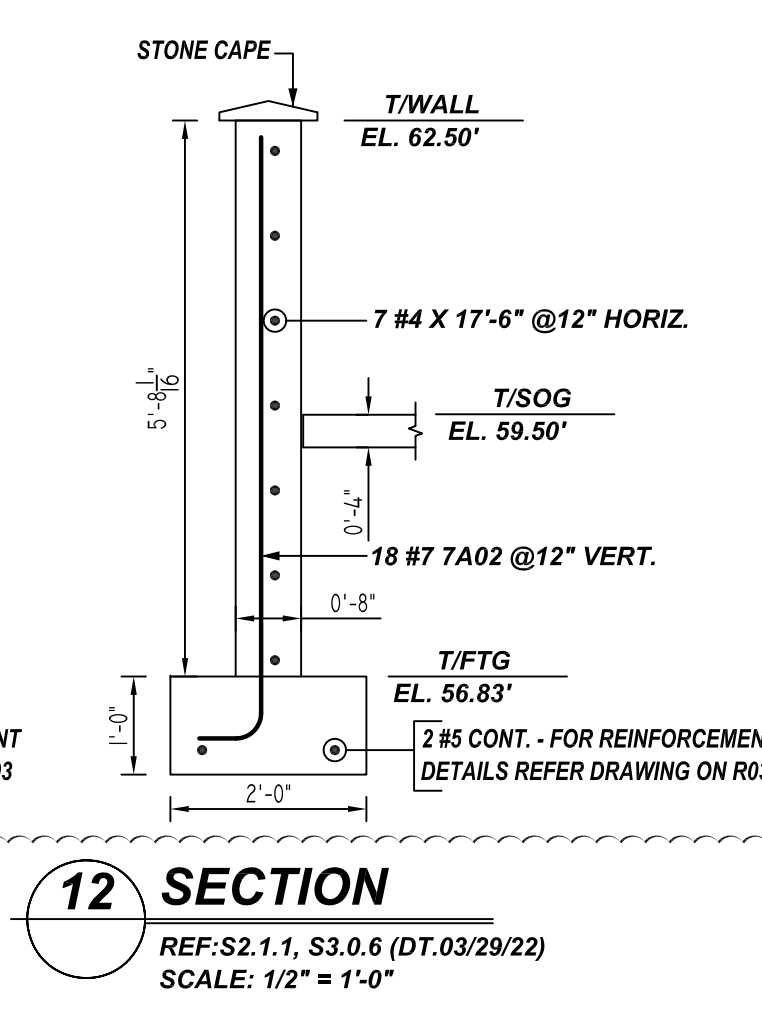
R ELEVATION
REF: S2.1.1, S3.0.6 (DT.03/29/22)
SCALE: 1/2" = 1'-0"



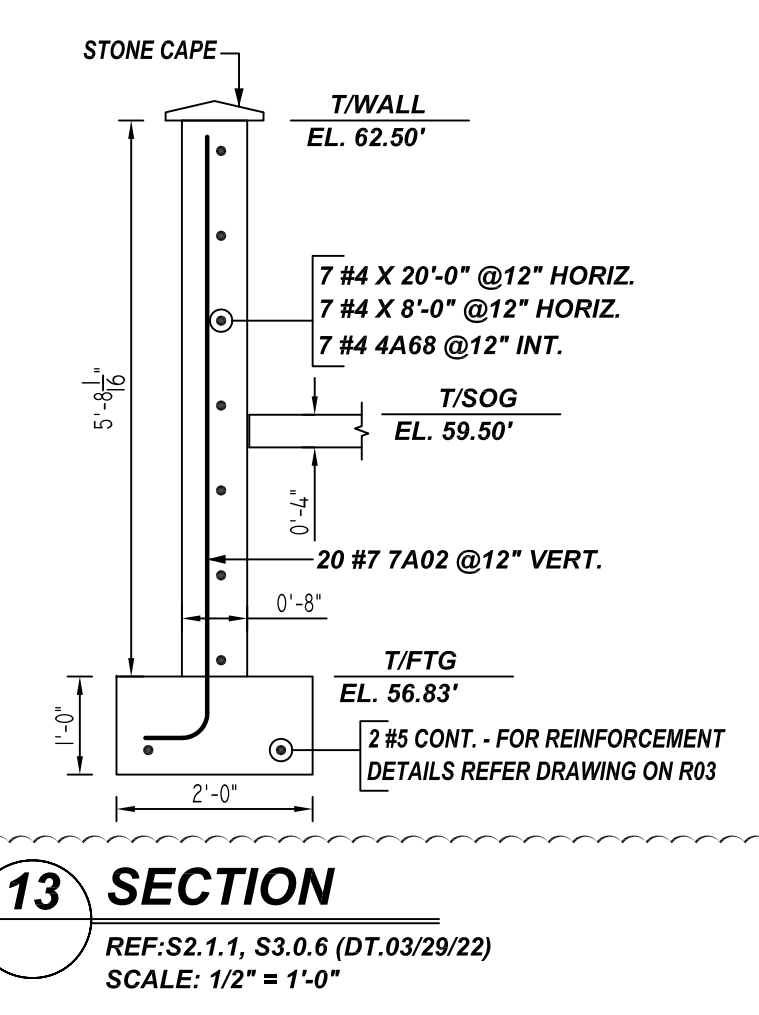
S ELEVATION
REF: S2.1.1, S3.0.6 (DT.03/29/22)
SCALE: 1/2" = 1'-0"



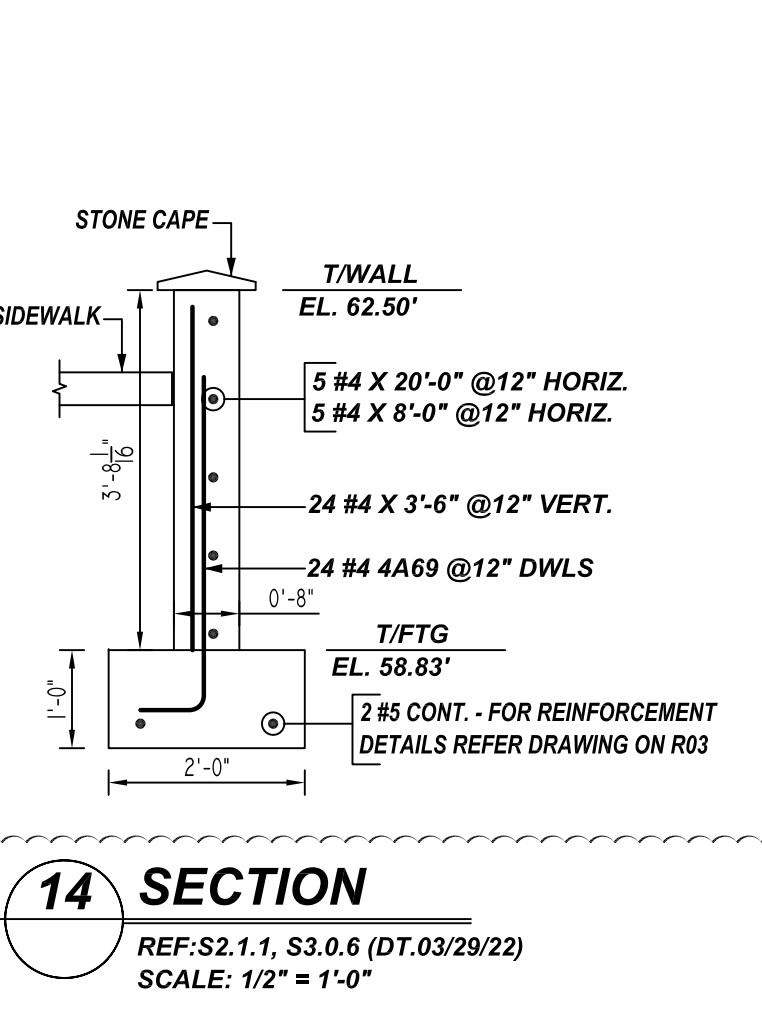
11 SECTION
REF: S2.1.1, S3.0.6 (DT.03/29/22)
SCALE: 1/2" = 1'-0"



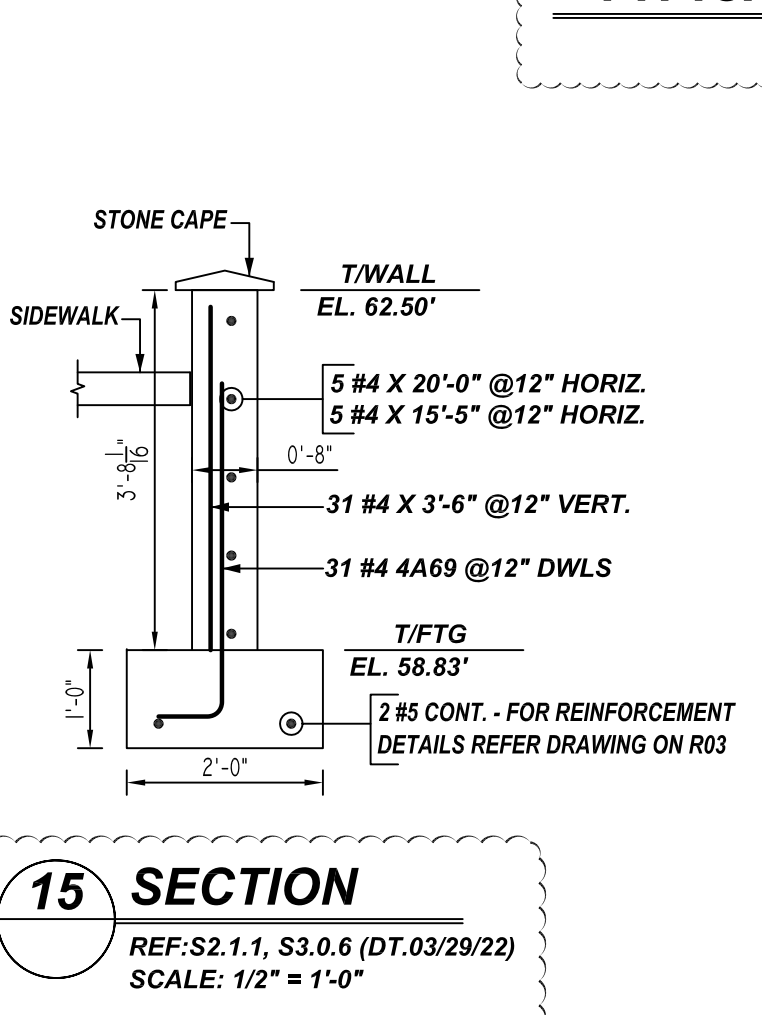
12 SECTION
REF: S2.1.1, S3.0.6 (DT.03/29/22)
SCALE: 1/2" = 1'-0"



13 SECTION
REF: S2.1.1, S3.0.6 (DT.03/29/22)
SCALE: 1/2" = 1'-0"



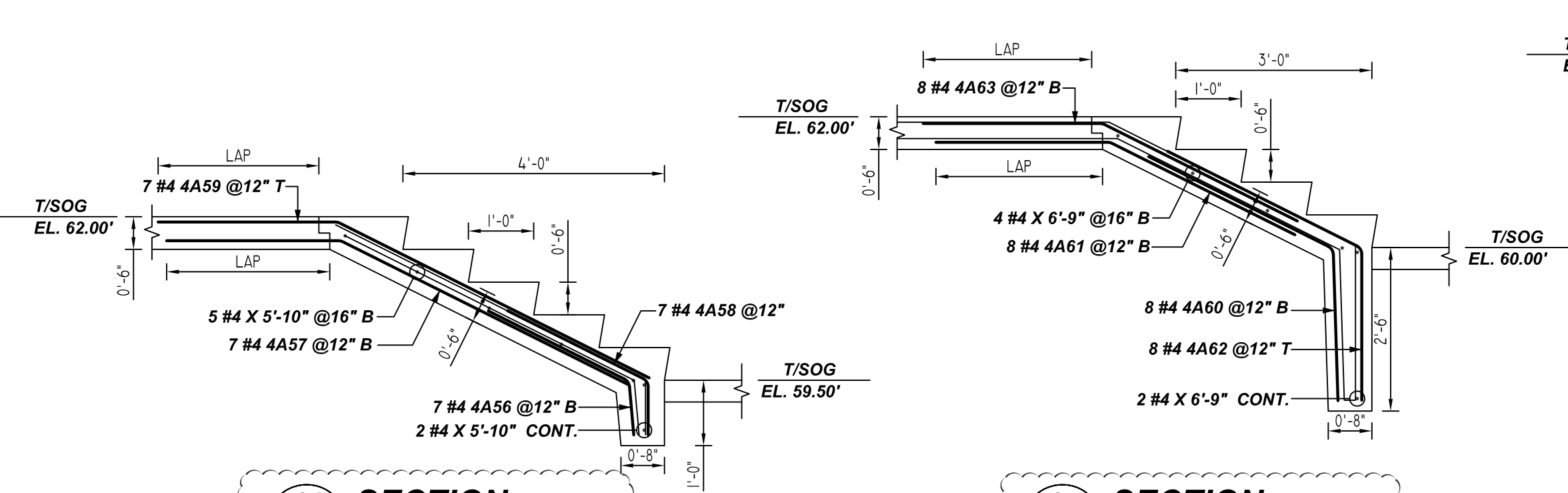
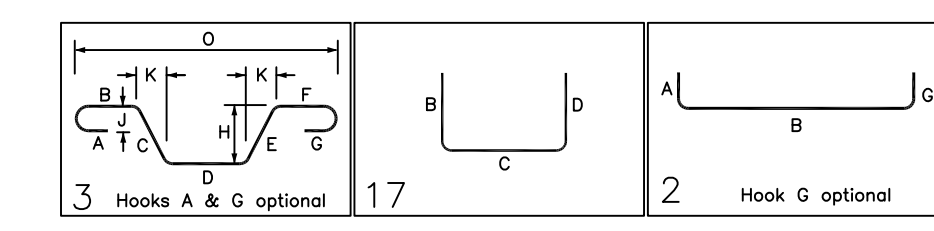
14 SECTION
REF: S2.1.1, S3.0.6 (DT.03/29/22)
SCALE: 1/2" = 1'-0"



15 SECTION
REF: S2.1.1, S3.0.6 (DT.03/29/22)
SCALE: 1/2" = 1'-0"

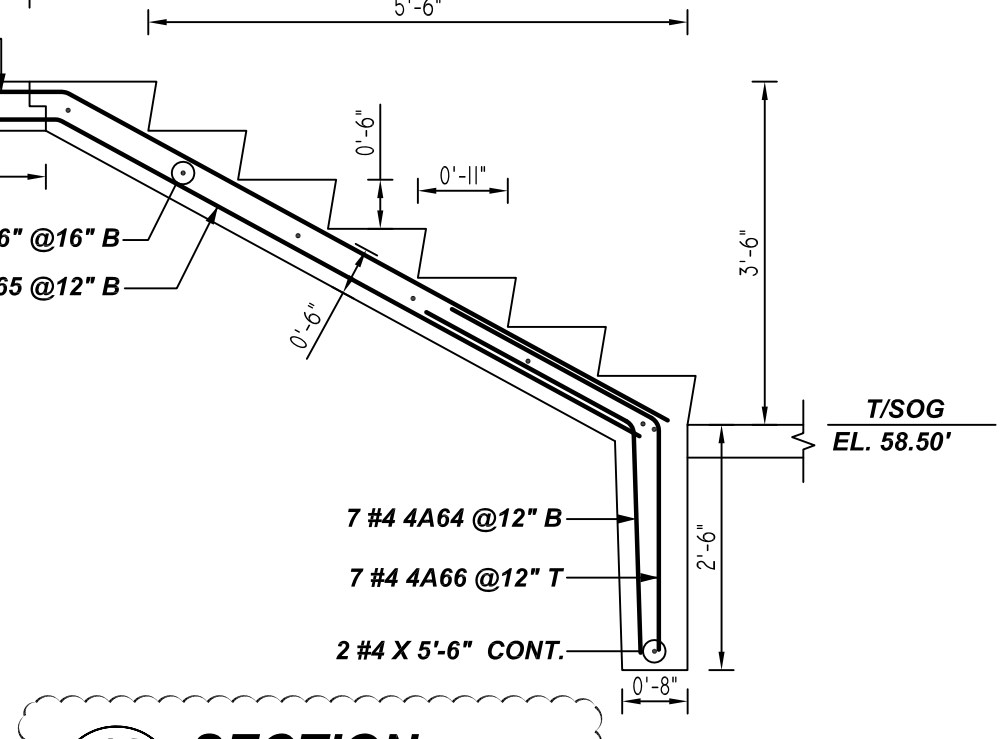
A/E PLEASE VERIFY TOP OF WALL ELEVATIONS PROVIDED. (TYP.)

Bar Mark	Qty	Size	Total Length	Type	X	Y	Z	BAR LIST
4A56	7	#4	3'-2 1/2"	3		2'-5"	0'-9 1/2"	
4A57	7	#4	7'-6 1/2"	3		4'-11"	2'-7 1/2"	
4A58	7	#4	3'-2 1/2"	3		2'-5"	0'-9 1/2"	
4A59	7	#4	8'-0 1/2"	3		5'-4"	2'-8 1/2"	
4A60	8	#4	5'-5 1/2"	3		3'-2"	2'-3 1/2"	
4A61	8	#4	5'-9 1/2"	3		3'-2"	2'-7 1/2"	
4A62	8	#4	5'-7 1/2"	3		3'-4"	2'-3 1/2"	
4A63	8	#4	4'-9 1/2"	3		3'-4"	2'-8 1/2"	
4A64	7	#4	4'-8 1/2"	3		2'-5"	2'-3 1/2"	
4A65	7	#4	9'-4 1/2"	3		6'-9"	2'-7 1/2"	
4A66	7	#4	4'-8 1/2"	3		2'-5"	2'-3 1/2"	
4A67	7	#4	9'-9 1/2"	3		7'-0"	2'-9"	
4A68	48	#4	6'-2 1/2"	17		3'-11"	3'-11"	
4A69	58	#4	4'-1 1/2"	2	0'-8"	3'-5"		
7A02	36	#7	6'-10 1/2"	17		6'-2"	0'-8"	
7A03	8	#7	6'-11 1/2"	17		6'-2"	0'-8"	
7A04	2	#7	7'-7 1/2"	17		6'-11"	0'-8"	
7A05	3	#7	7'-6 1/2"	17		6'-10"	0'-8"	



16 SECTION
REF: S2.1.1, S3.0.6 (DT.03/29/22)
SCALE: 1/2" = 1'-0"

17 SECTION
REF: S2.1.1, S3.0.6 (DT.03/29/22)
SCALE: 1/2" = 1'-0"



18 SECTION
REF: S2.1.1, S3.0.6 (DT.03/29/22)
SCALE: 1/2" = 1'-0"

A/E PLEASE VERIFY ELEVATIONS, STAIR DIMENSIONS & REINF. PROVIDED. (TYP.)

A/E PLEASE VERIFY LAP SCHEDULE PROVIDED.

LOCATION	MIN. COVER
FOOTING BOTTOM & SIDE	3" CLR
FOOTING TOP	2" CLR

**ALL BARS IN THIS DRAWING
ASTM A615 GRADE 60
BLACK UNCOATED**

REBAR GRADE 60 ASTM A-615

SPLICES USED		ABBREVIATIONS	BAR MARK SIZE EQUIVALENT	
CLASS B 3,000 psi UNO		ADD. = Additional	Imperial	Soft Metric
TOP BARS		B.O.W. = Bottom of wall	#3	#10
OTHER BARS		C.B. = Core Bars	#4	#13
#3 28"	#3 22"	DIAG. = Diagonal	#5	#16
#4 37"	#4 29"	D.O. = Door Opening	#6	#19
#5 47"	#5 36"	D.W.L.S. = Dowels	#7	#22
#6 56"	#6 43"	E.F. = Each Face	#8	#25
#7 81"	#7 63"	E.S. = Each Side	#9	#29
#8 93"	#8 72"	E.W. = Each Way	#10	#32
#9 105"	#9 81"	FTG. = Footing	#11	#36
#10 118"	#10 91"	F.F. = Far Face		
#11 131"	#11 101"	HORIZ. = Horizontal		
#14		I.F. = Inside Face		
		INTERS. = Intersection		
		L.W. = long Way		
		N.F. = Near Face		
		O.F. = Outside Face		
		S.W. = Short Way		
		T&B = Top & Bottom		
		T.O.W. = Top of Wall		
		Trans. = Transverse		
		VERT. = Vertical		

CANTON OVERLOOK
BUILDING 1 - FOUNDATION REINFORCEMENT DETAILS
1617 BROENING HIGHWAY, BALTIMORE MD 21224

CUSTOMER: --
DESIGNER: --

REV NO	DATE	APPROVAL	REV NO	DATE	SENT FOR	DRAWN BY	DATE	JOB NO	SHEET NO.
0	06.15.21					RTE	06.15.21	--	R09