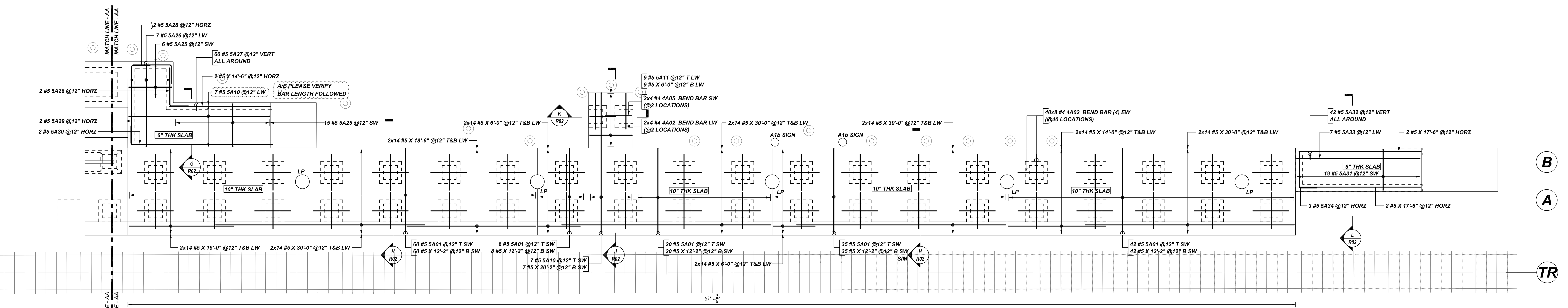


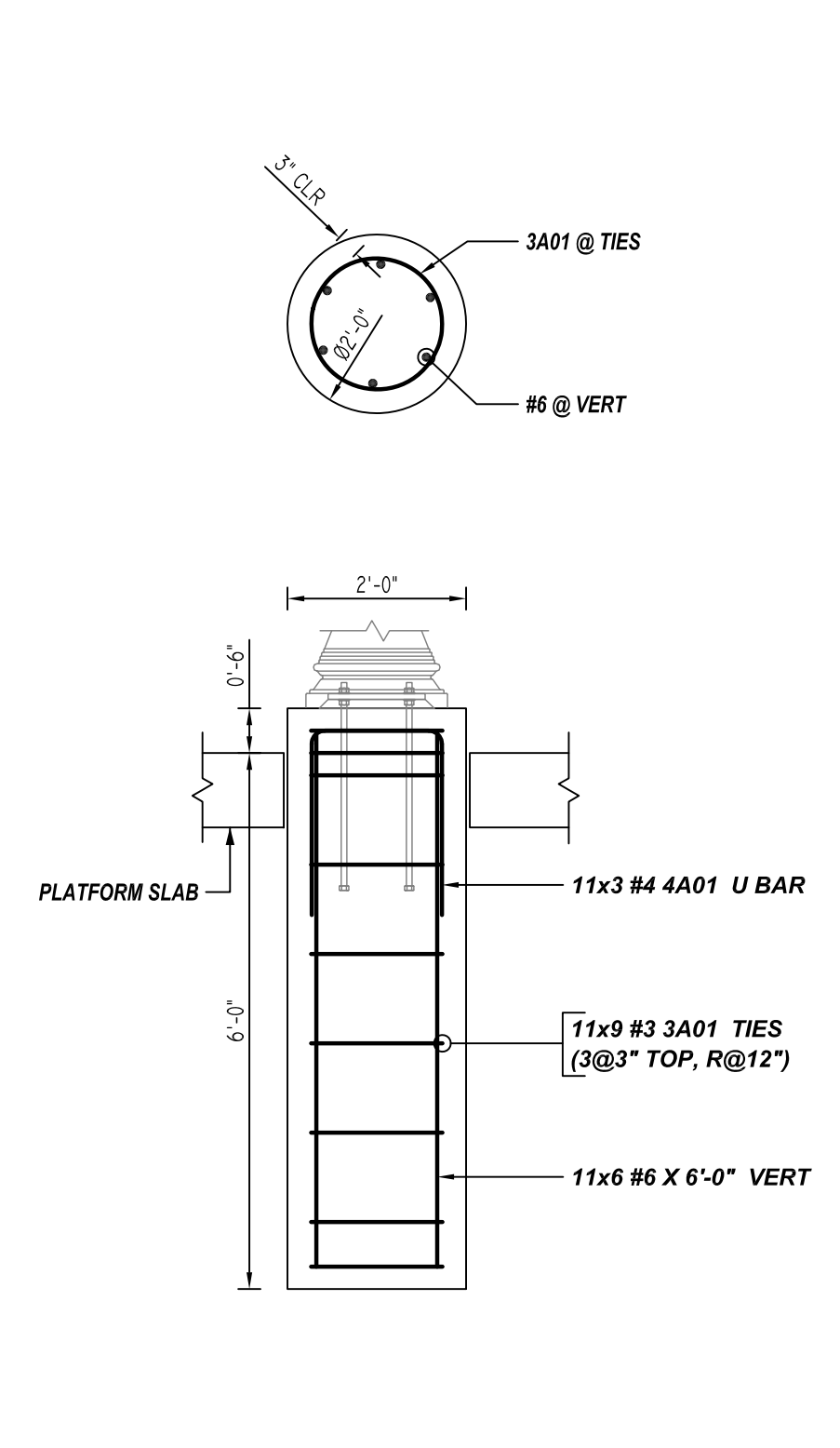
PLATFORM PLAN 1 REINFORCEMENT DETAILS

REF: S-101 (DT.07/08/2022)
SCALE: 1/8" = 1'-0"



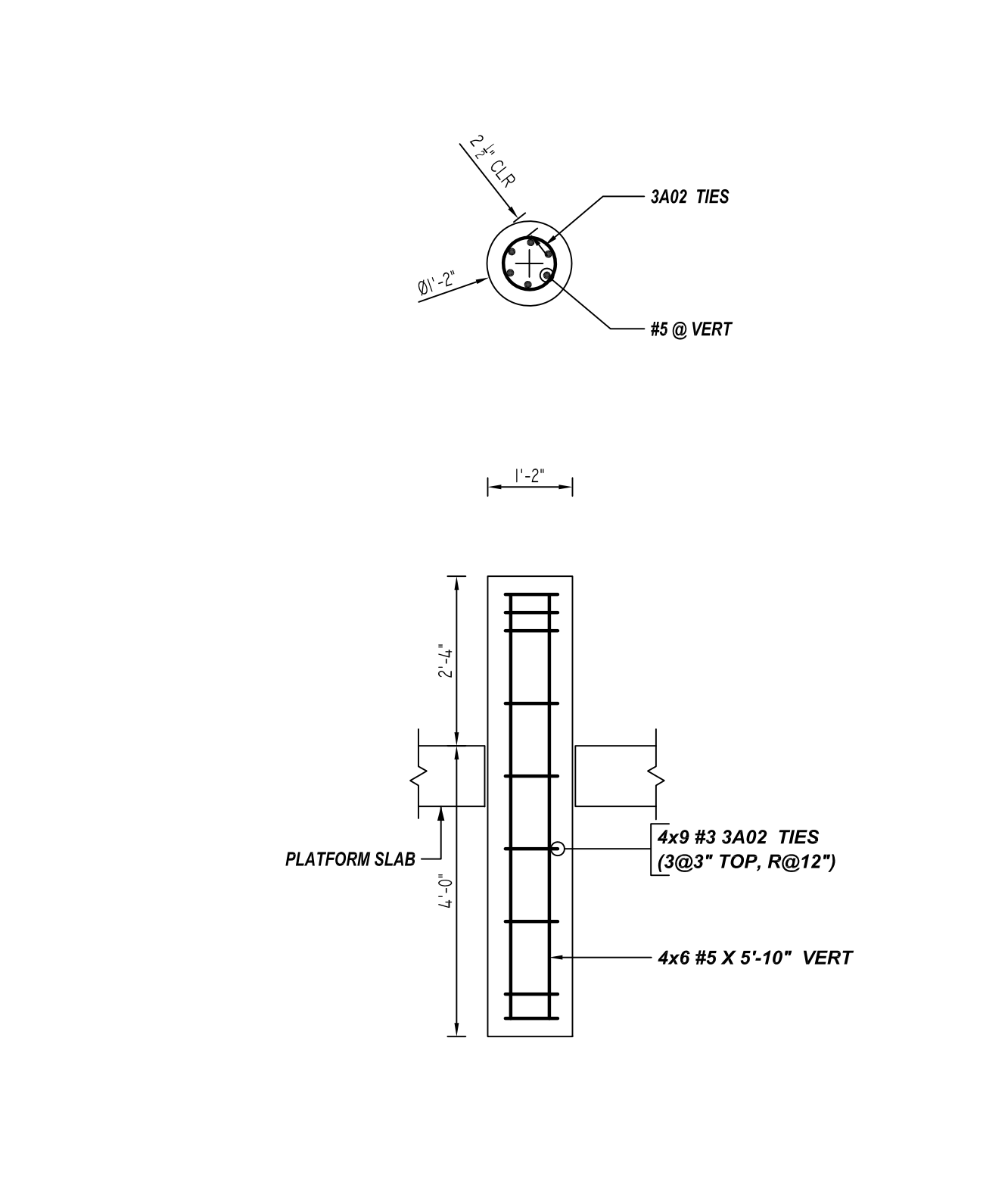
PLATFORM PLAN 2 REINFORCEMENT DETAILS

REF: S-102 (DT.07/08/2022)
SCALE: 1/8" = 1'-0"



LIGHT POLE REINFORCEMENT DETAILS

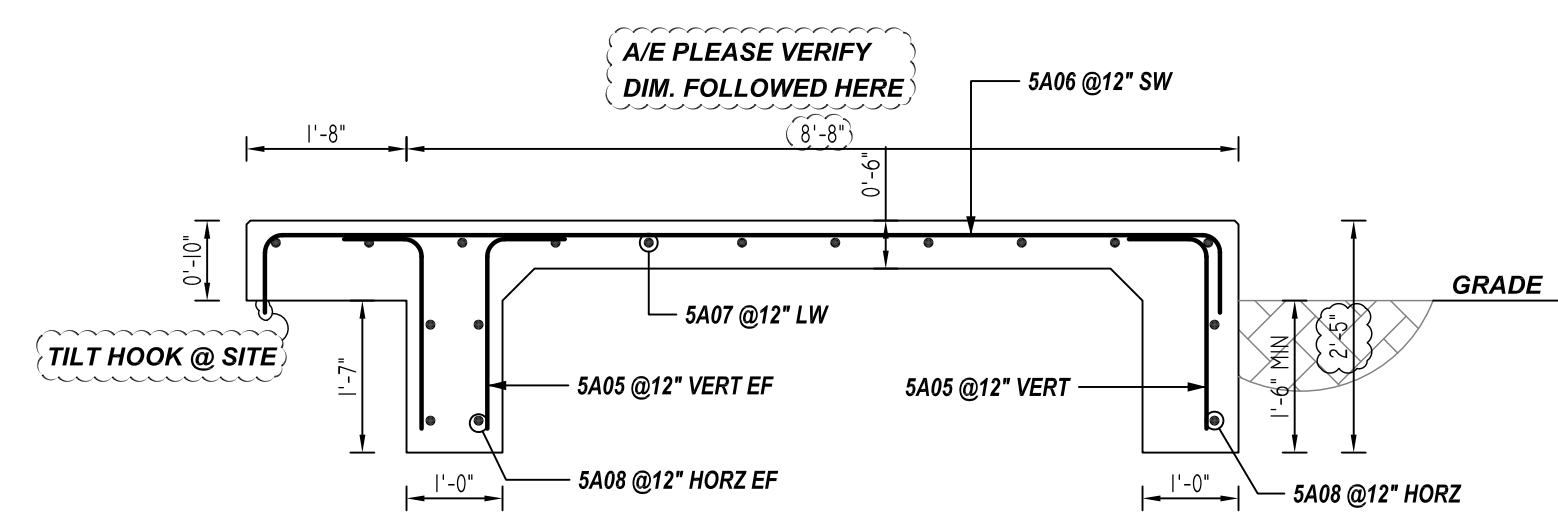
REF: S-5-450 (DT.07/08/22)
SCALE: 1/2" = 1'-0"
(@11 LOCATIONS)



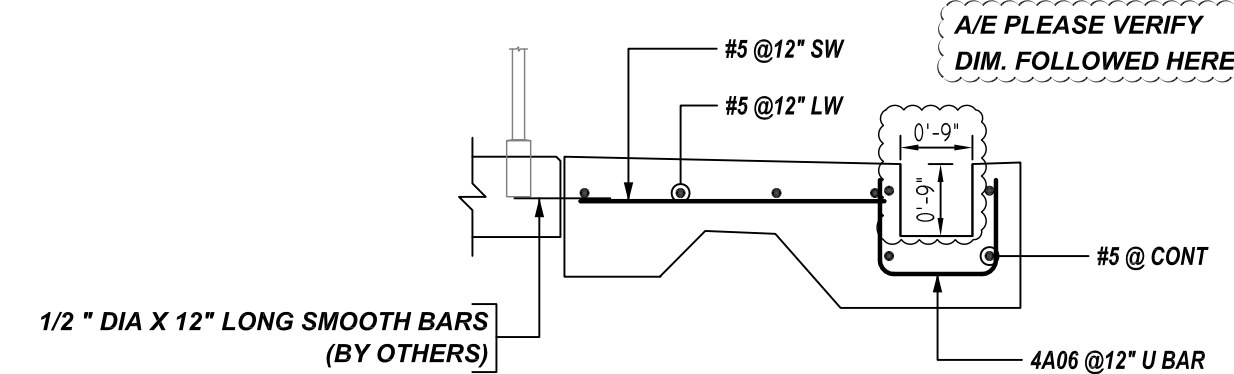
A1b SIGN FOUNDATION REINFORCEMENT DETAILS

REF: S-5-450 (DT.07/08/22)
SCALE: 1/2" = 1'-0"
(@4 LOCATIONS)

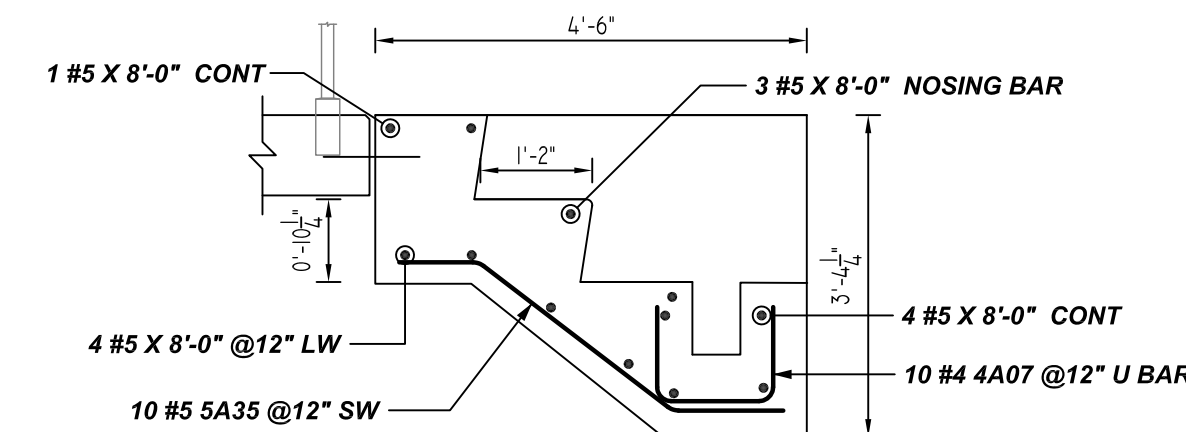
Bar Mark	Qty	Size	Total Length	Typ	X	Y	Z	U	V	W	X	Y	Z	U	V	W	X	Y	Z
SA00	12	#5	18'-0"	12	0'-0"	12'-0"	0'-0"	0'-0"	0'-0"	0'-0"	0'-0"	0'-0"	0'-0"	0'-0"	0'-0"	0'-0"	0'-0"	0'-0"	0'-0"
SA01	4	#5	2'-0"	4	0'-0"	2'-0"	0'-0"	0'-0"	0'-0"	0'-0"	0'-0"	0'-0"	0'-0"	0'-0"	0'-0"	0'-0"	0'-0"	0'-0"	0'-0"
SA02	3	#5	18'-0"	3	0'-0"	18'-0"	0'-0"	0'-0"	0'-0"	0'-0"	0'-0"	0'-0"	0'-0"	0'-0"	0'-0"	0'-0"	0'-0"	0'-0"	0'-0"
SA03	8	#5	18'-0"	8	0'-0"	18'-0"	0'-0"	0'-0"	0'-0"	0'-0"	0'-0"	0'-0"	0'-0"	0'-0"	0'-0"	0'-0"	0'-0"	0'-0"	0'-0"
SA04	8	#5	18'-0"	8	0'-0"	18'-0"	0'-0"	0'-0"	0'-0"	0'-0"	0'-0"	0'-0"	0'-0"	0'-0"	0'-0"	0'-0"	0'-0"	0'-0"	0'-0"
SA05	4	#5	8'-0"	4	0'-0"	8'-0"	0'-0"	0'-0"	0'-0"	0'-0"	0'-0"	0'-0"	0'-0"	0'-0"	0'-0"	0'-0"	0'-0"	0'-0"	0'-0"
SA06	24	#5	7'-0"	24	0'-0"	7'-0"	0'-0"	0'-0"	0'-0"	0'-0"	0'-0"	0'-0"	0'-0"	0'-0"	0'-0"	0'-0"	0'-0"	0'-0"	0'-0"
SA07	4	#5	18'-0"	4	0'-0"	18'-0"	0'-0"	0'-0"	0'-0"	0'-0"	0'-0"	0'-0"	0'-0"	0'-0"	0'-0"	0'-0"	0'-0"	0'-0"	0'-0"
SA08	18	#5	3'-0"	18	0'-0"	3'-0"	0'-0"	0'-0"	0'-0"	0'-0"	0'-0"	0'-0"	0'-0"	0'-0"	0'-0"	0'-0"	0'-0"	0'-0"	0'-0"
SA09	18	#5	3'-0"	18	0'-0"	3'-0"	0'-0"	0'-0"	0'-0"	0'-0"	0'-0"	0'-0"	0'-0"	0'-0"	0'-0"	0'-0"	0'-0"	0'-0"	0'-0"
SA10	2	#5	2'-0"	2	0'-0"	2'-0"	0'-0"	0'-0"	0'-0"	0'-0"	0'-0"	0'-0"	0'-0"	0'-0"	0'-0"	0'-0"	0'-0"	0'-0"	0'-0"
SA11	3	#5	18'-0"	3	0'-0"	18'-0"	0'-0"	0'-0"	0'-0"	0'-0"	0'-0"	0'-0"	0'-0"	0'-0"	0'-0"	0'-0"	0'-0"	0'-0"	0'-0"
SA12	18	#5	3'-0"	18	0'-0"	3'-0"	0'-0"	0'-0"	0'-0"	0'-0"	0'-0"	0'-0"	0'-0"	0'-0"	0'-0"	0'-0"	0'-0"	0'-0"	0'-0"
SA13	2	#5	2'-0"	2	0'-0"	2'-0"	0'-0"	0'-0"	0'-0"	0'-0"	0'-0"	0'-0"	0'-0"	0'-0"	0'-0"	0'-0"	0'-0"	0'-0"	0'-0"
SA14	3	#5	18'-0"	3	0'-0"	18'-0"	0'-0"	0'-0"	0'-0"	0'-0"	0'-0"	0'-0"	0'-0"	0'-0"	0'-0"	0'-0"	0'-0"	0'-0"	0'-0"
SA15	4	#5	7'-0"	4	0'-0"	7'-0"	0'-0"	0'-0"	0'-0"	0'-0"	0'-0"	0'-0"	0'-0"	0'-0"	0'-0"	0'-0"	0'-0"	0'-0"	0'-0"
SA16	4	#5	18'-0"	4	0'-0"	18'-0"	0'-0"	0'-0"	0'-0"	0'-0"	0'-0"	0'-0"	0'-0"	0'-0"	0'-0"	0'-0"	0'-0"	0'-0"	0'-0"
SA17	18	#5	3'-0"	18	0'-0"	3'-0"	0'-0"	0'-0"	0'-0"	0'-0"	0'-0"	0'-0"	0'-0"	0'-0"	0'-0"	0'-0"	0'-0"	0'-0"	0'-0"
SA18	18	#5	3'-0"	18	0'-0"	3'-0"	0'-0"	0'-0"	0'-0"	0'-0"	0'-0"	0'-0"	0'-0"	0'-0"	0'-0"	0'-0"	0'-0"	0'-0"	0'-0"
SA19	2	#5	2'-0"	2	0'-0"	2'-0"	0'-0"	0'-0"	0'-0"	0'-0"	0'-0"	0'-0"	0'-0"	0'-0"	0'-0"	0'-0"	0'-0"	0'-0"	0'-0"
SA20	2	#5	2'-0"	2	0'-0"	2'-0"	0'-0"	0'-0"	0'-0"	0'-0"	0'-0"	0'-0"	0'-0"	0'-0"	0'-0"	0'-0"	0'-0"	0'-0"	0'-0"
SA21	3	#5	18'-0"	3	0'-0"	18'-0"	0'-0"	0'-0"	0'-0"	0'-0"	0'-0"	0'-0"	0'-0"	0'-0"	0'-0"	0'-0"	0'-0"	0'-0"	0'-0"
SA22	3	#5	18'-0"	3	0'-0"	18'-0"	0'-0"	0'-0"	0'-0"	0'-0"	0'-0"	0'-0"	0'-0"	0'-0"	0'-0"	0'-0"	0'-0"	0'-0"	0'-0"
SA23	2	#5	2'-0"	2	0'-0"	2'-0"	0'-0"	0'-0"	0'-0"	0'-0"	0'-0"	0'-0"	0'-0"	0'-0"	0'-0"	0'-0"	0'-0"	0'-0"	0'-0"
SA24	2	#5	2'-0"	2	0'-0"	2'-0"	0'-0"	0'-0"	0'-0"	0'-0"	0'-0"	0'-0"	0'-0"	0'-0"	0'-0"	0'-0"	0'-0"	0'-0"	0'-0"
SA25	60	#5	5A27 @ 12" VERT ALL AROUND	60	5A27	@ 12" VERT ALL AROUND													
SA26	7	#5	5A26 @ 12" LW	7	5A26	@ 12" LW													
SA27	6	#5	5A25 @ 12" SW	6	5A25	@ 12" SW													
SA28	2	#5	5A28 @ 12" HORZ	2	5A28	@ 12" HORZ													
SA29	2	#5	5A29 @ 12" HORZ	2	5A29	@ 12" HORZ													
SA30	2	#5	5A30 @ 12" HORZ	2	5A30	@ 12" HORZ													
SA31	19	#5	5A31 @ 12" SW	19	5A31	@ 12" SW													
SA32	7	#5	5A33 @ 12" LW	7	5A33	@ 12" LW													
SA33	3	#5	5A34 @ 12" HORZ	3	5A34	@ 12" HORZ													
SA34	2	#5	5A01 @ 12" T SW	2	5A01	@ 12" T SW													
SA35	8	#5	5A01 @ 12" T SW	8	5A01	@ 12" T SW													
SA36	8	#5	5A01 @ 12" T SW	8	5A01	@ 12" T SW													
SA37	7	#5	5A10 @ 12" T SW	7	5A10	@ 12" T SW													
SA38	20	#5	5A01 @ 12" T SW	20	5A01	@ 12" T SW													
SA39	8	#5	5A01 @ 12" T SW	8	5A01	@ 12" T SW													
SA40	35	#5	5A01 @ 12" T SW	35	5A01	@ 12" T SW													
SA41	35	#5	5A01 @ 12" T SW	35	5A01	@ 12" T SW													
SA42	42	#5	5A01 @ 12" T SW	42	5A01	@ 12" T SW													
SA43	42	#5	5A01 @ 12" T SW	42	5A01	@ 12" T SW													
SA44	2	#5	5A01 @ 12" T SW	2	5A01	@ 12" T SW													
SA45	2	#5	5A01 @ 12" T SW	2	5A01	@ 12" T SW													
SA46	2	#5	5A01 @ 12" T SW	2	5A01	@ 12" T SW													
SA47	2	#5	5A01 @ 12" T SW	2	5A01	@ 12" T SW													
SA48	2	#5	5A01 @ 12" T SW	2	5A01	@ 12" T SW													
SA49	2	#5	5A01 @ 12" T SW	2	5A01	@ 12" T SW													
SA50	2	#5	5A01 @ 12" T SW	2	5A01	@ 12" T SW													
SA51	2	#5	5A01 @ 12" T SW	2	5A01	@ 12" T SW													
SA52	2	#5	5A01 @ 12" T SW	2	5A01	@ 12" T SW													
SA53	2	#5	5A01 @ 12" T SW	2	5A01	@ 12" T SW													
SA54	2	#5	5A01 @ 12" T SW	2	5A01	@ 12" T SW													
SA55	2	#5	5A01 @ 12" T SW	2	5A01	@ 12" T SW													
SA56	2	#5	5A01 @ 12" T SW	2	5A01	@ 12" T SW													
SA57	2	#5	5A01 @ 12" T SW	2	5A01	@ 12" T SW													
SA58	2	#5	5A01 @ 12" T SW	2	5A01	@ 12" T SW													
SA59	2	#5	5A01 @ 12" T SW	2	5A01	@ 12" T SW													
SA60	2	#5	5A01 @ 12" T SW	2	5A01	@ 12" T SW													
SA61	2	#5	5A01 @ 12" T SW	2	5A01	@ 12" T SW													
SA62	2	#5	5A01 @ 12" T SW	2	5A01	@ 12" T SW													
SA63	2	#5	5A01 @ 12" T SW	2	5A01	@ 12" T SW													
SA64	2	#5	5A01 @ 12" T SW	2	5A01	@ 12" T SW													
SA65	2	#5	5A01 @ 12" T SW	2	5A01	@ 12" T SW													
SA66	2	#5	5A01 @ 12" T SW	2	5A01	@ 12" T SW													
SA67	2	#5	5A01 @ 12" T SW	2	5A01	@ 12" T SW													
SA68	2	#5	5A01 @ 12" T SW	2	5A01	@ 12" T SW													
SA69	2	#5	5A01 @ 12" T SW	2	5A01	@ 12" T SW													
SA70	2	#5	5A01 @ 12" T SW	2	5A01	@ 12" T SW													
SA71	2	#5	5A01 @ 12" T SW	2	5A01	@ 12" T SW													
SA72	2	#5	5A01 @ 12" T SW	2	5A01	@ 12" T SW													
SA73	2	#5	5A01 @																



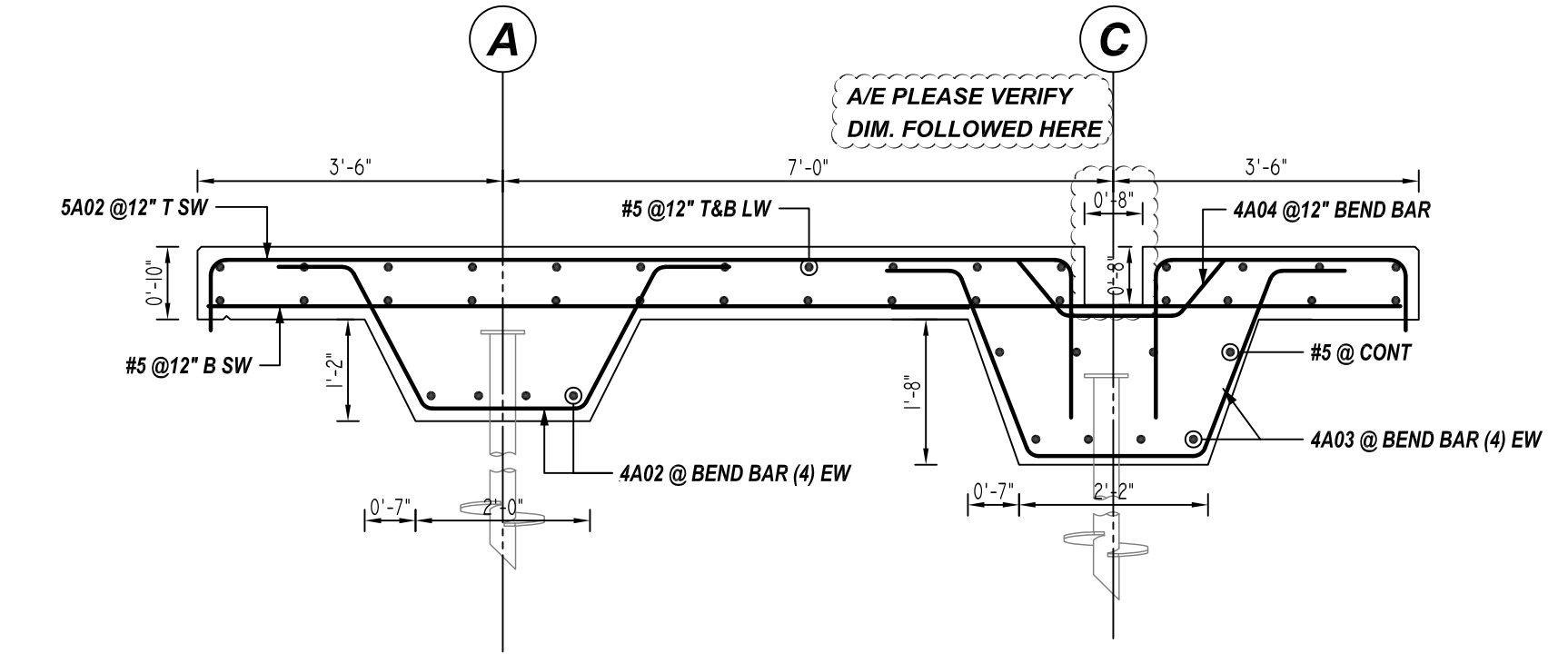
A SECTION
R01 REF: 2/S-402 (DT.07/08/22)
SCALE: 1/2" = 1'-0"



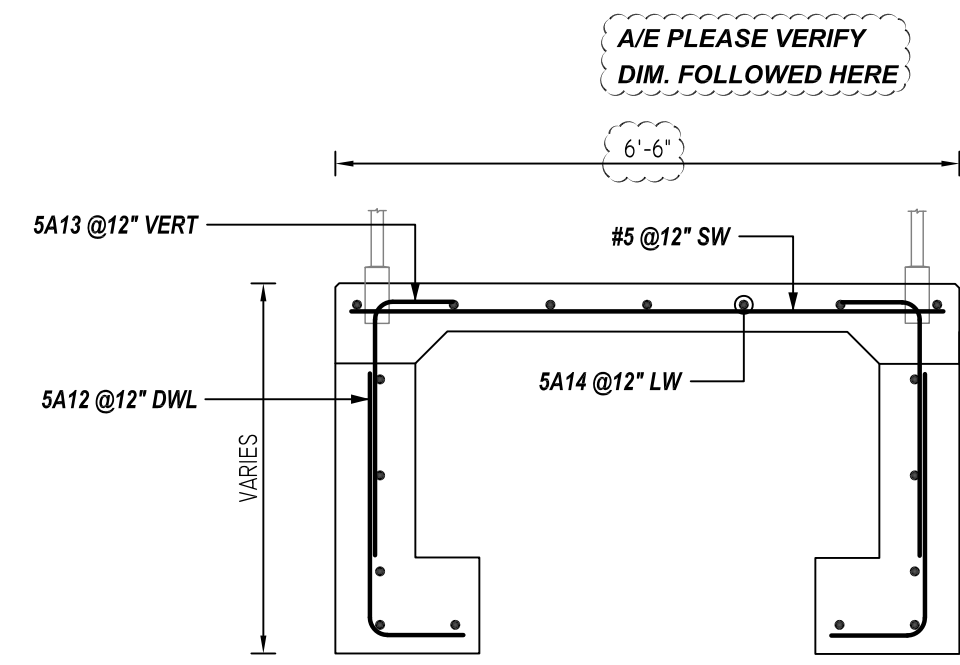
B SECTION
R01 REF: 3/S-452 (DT.07/08/22)
SCALE: 1/2" = 1'-0"



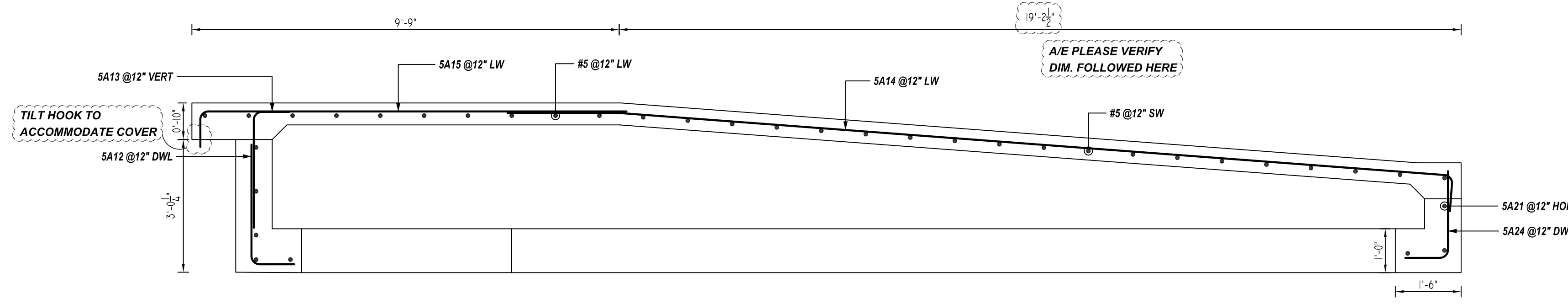
C SECTION
R01 REF: 1/S-452 (DT.07/08/22)
SCALE: 1/2" = 1'-0"



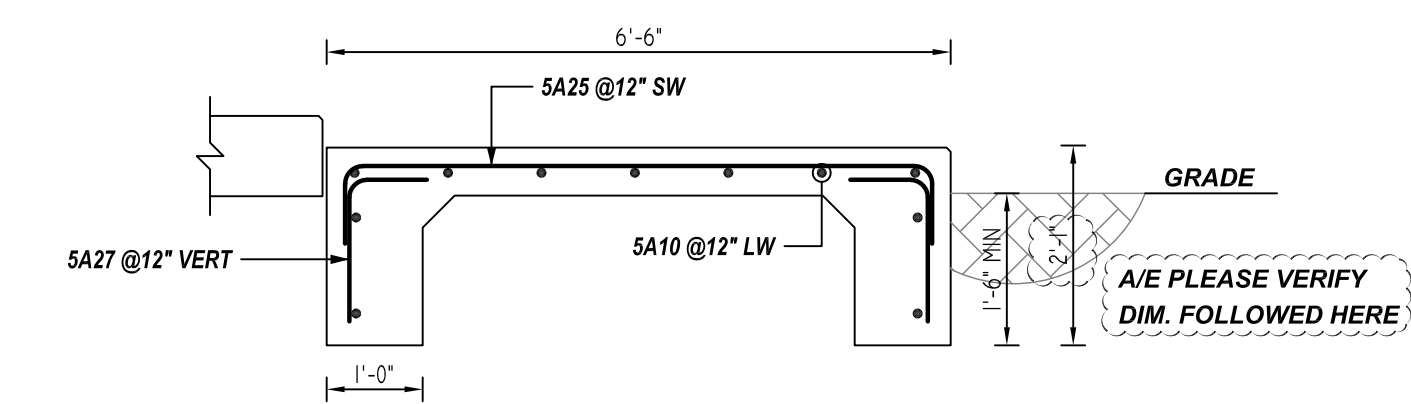
D SECTION
R01 REF: 2/S-401 (DT.07/08/22)
SCALE: 1/2" = 1'-0"



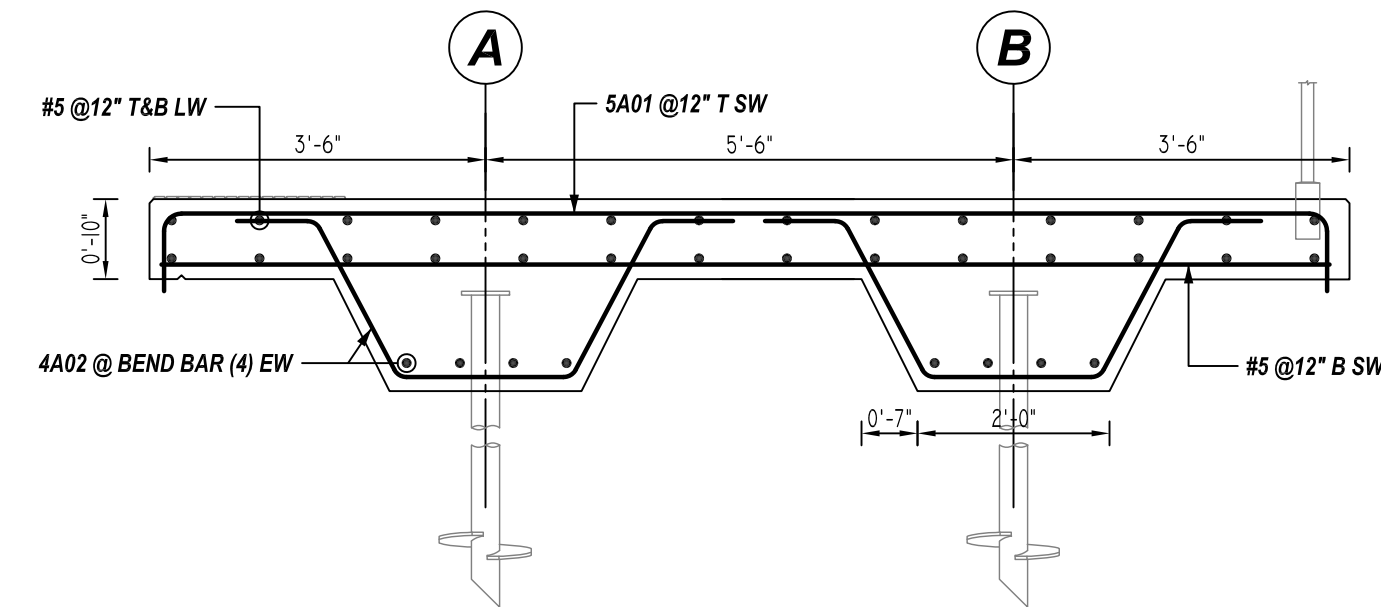
E SECTION
R01 REF: 2/S-403 (DT.07/08/22)
SCALE: 1/2" = 1'-0"



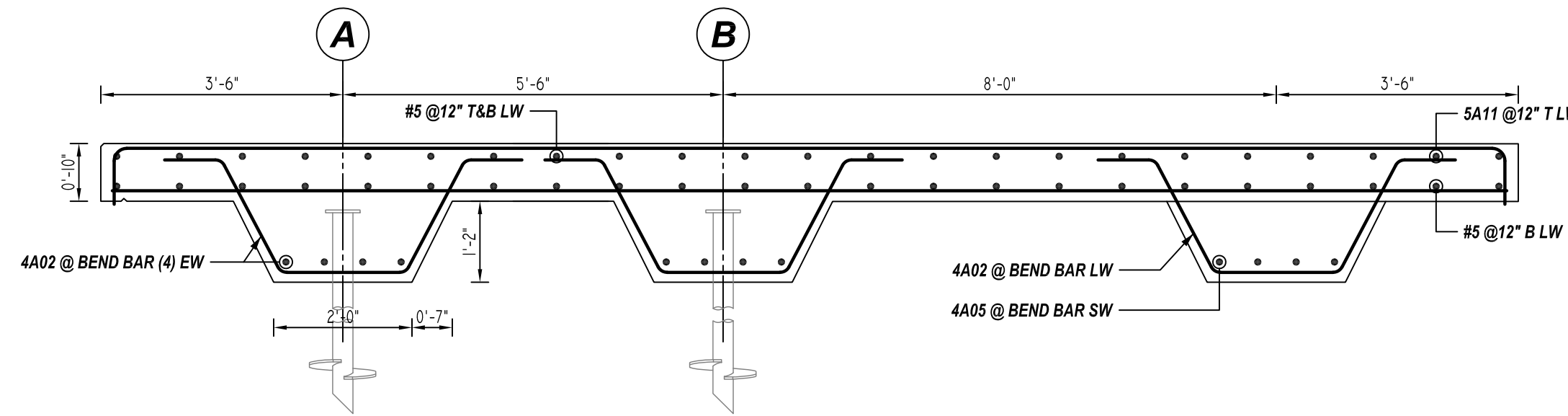
F SECTION
R-01 REF: 1/S-403 (DT.07/08/22)
SCALE: 1/2" = 1'-0"



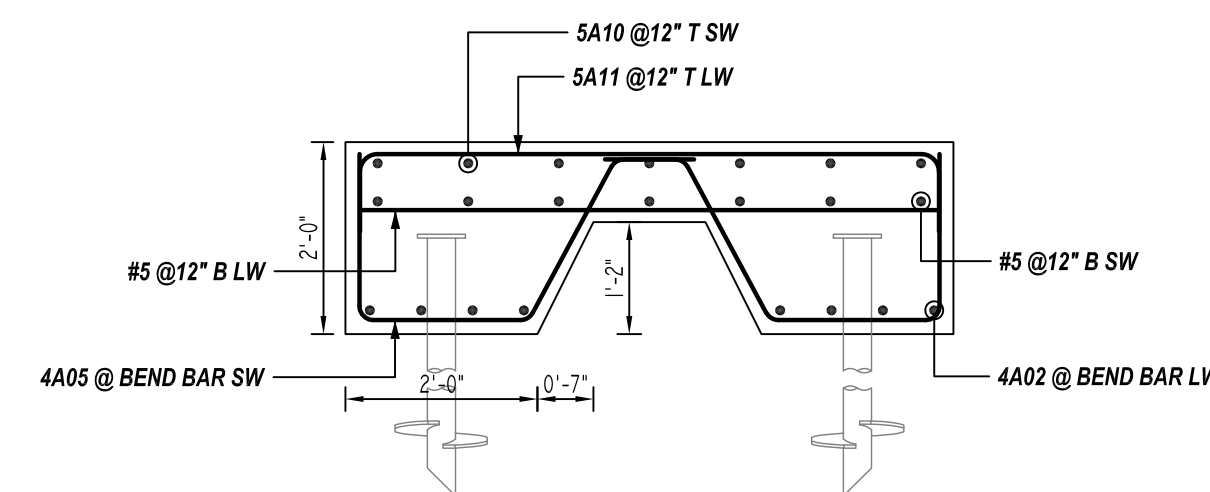
G SECTION
R01 REF: 2/S-401 (DT.07/08/22)
SCALE: 1/2" = 1'-0"



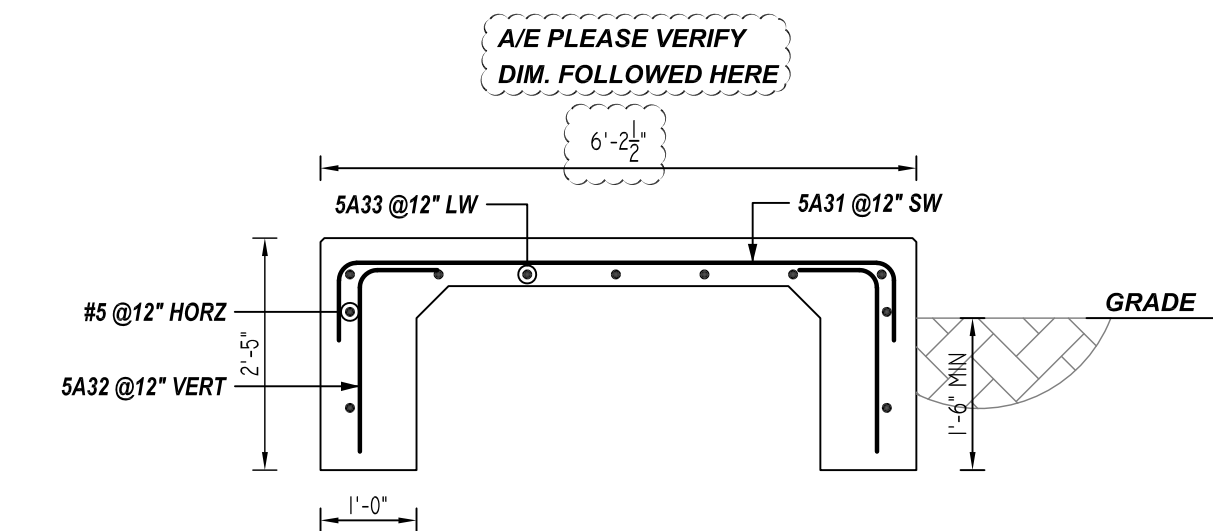
H SECTION
R01 REF: 1/S-401 (DT.07/08/22)
SCALE: 1/2" = 1'-0"



J SECTION
R01 REF: 2/S-401 (DT.07/08/22)
SCALE: 1/2" = 1'-0"



K SECTION
R01 REF: 3/S-401 (DT.07/08/22)
SCALE: 1/2" = 1'-0"



L SECTION
R01 REF: 1/S-403 (DT.07/08/22)
SCALE: 1/2" = 1'-0"

LAP SCHEDULE

4000 PSI (CLASS-B) CASE - 1
Per ACI 318 (12.2.2)

BAR#	TOP	OTHERS
#3	2'-0"	1'-7"
#4	2'-8"	2'-1"
#5	3'-4"	2'-7"
#6	4'-0"	3'-1"
#7	5'-10"	4'-6"
#8	6'-8"	5'-2"
#9	7'-7"	5'-10"
#10	8'-6"	6'-7"
#11	9'-5"	7'-3"

ALL TOP BARS ARE DEFINED AS HORIZ BARS WITH MORE THAN 12" OF CONCRETE BELOW BARS.

TYPICAL REINFORCING BAR CLEARANCE TABLE

LOCATION	MIN. COVER
SLAB TOP & BOTTOM	2" CLR
SLAB EDGE	2" CLR

REV.	DATE	DESCRIPTION	APPROVAL SENT FOR
0	09/29/22	-	APPROVAL

ABBREVIATIONS

IF Inside Face	T Top	ALT Alternate
OF Outside Face	B Bottom	ADJL Additional
EF Each Face	V Vertical	CDNT Continuous
NF Near Face	H Horizontal	LDNG Longitudinal
FF Far Face	BM Beam	DWL Dowel
EA Each	SB Support Bar	FTG Footing
EW Each Way	DC On Center	SUPT Supporting

REBAR IS ASTM A615 GRADE 60 UNCL.

Reinforcing steel placing drawings are only to be used in conjunction with the Engineer's and Architect's contract drawings. Any specifications, elevations, dimensions and etc. shown on this drawing are for detailing purposes only and should not be used for construction unless verified by the Engineer or Architect.

This drawing is the property of GEORGE ALLEN CONSTRUCTION CD and shall not be electronically reproduced or modified without permission.

PROJECT	LOCATION	ENGINEER	ARCHITECT	DRAWING TITLE	DETAILING COMPANY
AMTRACK - NEWBERN	NEWBERN-DYERBURG, TN (WBN)	-	-	PLATFORM 1 & 2 REINFORCEMENT DETAILS	THE CITY REBAR 218 WEST MAIN ST MORRISON, IL 61270 815-772-3366
					DETAILER: SS JOB NO. - DRAWING NO. R02