

**DP-1 BUILDING SECTOR 1 PAD FOOTING REINFORCEMENT DETAILS**

REF: S2.1.1 (DT.07/29/22)  
SCALE: 1/16" = 1'-0"

**ALL BARS IN THIS DRAWING  
ASTM A615 GRADE 60  
BLACK UNCOATED**

TYPICAL REINFORCING BAR CLEARANCE TABLE

LOCATION	MIN. COVER
FOOTING SIDE & BOTTOM	3" CLR
FOOTING TOP	2" CLR
PIER ALL SIDES	2" CLR

A/E PLEASE VERIFY FOOTING TOP COVER

**PAD FOOTING SCHEDULE**

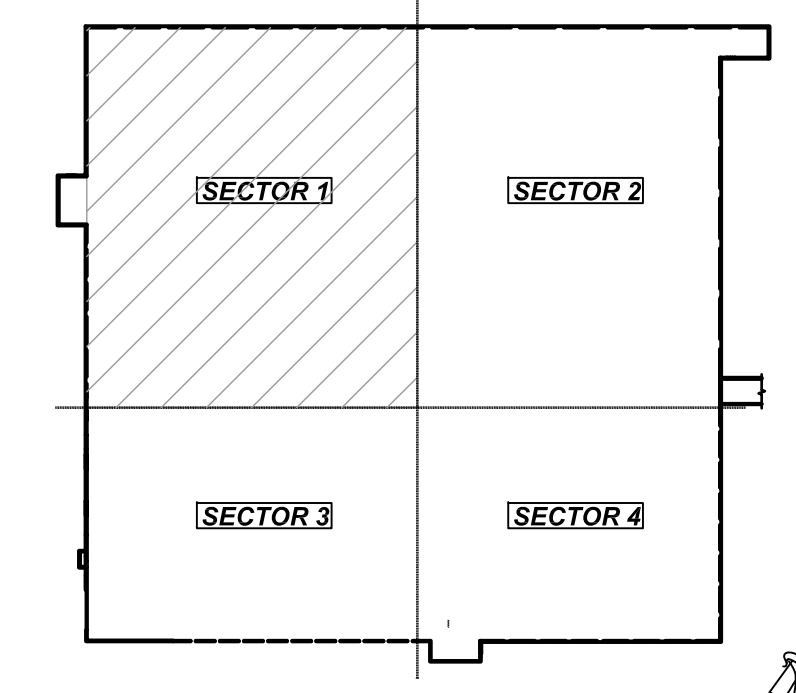
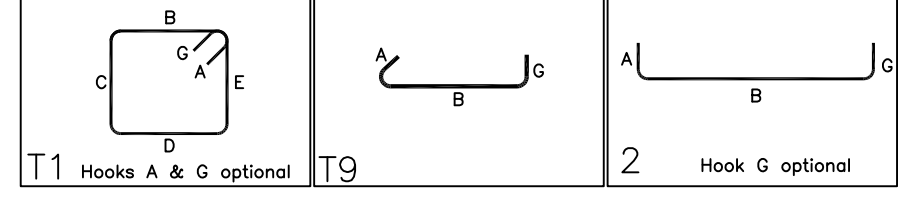
MARK	QTY	SIZE	GRID LOCATION	REINFORCING	REMARK
F6.0	2	6'-0"x6'-0"x1'-6"	A.1/10.8 & A.1/11.8	2x2x8 #6 X 5'-6" BOT.EW	SECTION 1/R01
F7.0	1	7'-0"x7'-0"x1'-6"	A/15	2x9 #6 X 6'-6" BOT.EW	SECTION 2/R01
F9.0	6	9'-0"x9'-0"x1'-6"	G/15, A/13, A/7, G/10, G/9, A/14	6x2x11 #6 X 8'-6" BOT.EW	SECTION 1/R01
F10.0	11	10'-0"x10'-0"x1'-6"	B/15, C/15, D/15, E/15, F/15, G/11, E/10, F/10, F/9, G/8 & G/7	11x2x12 #6 X 9'-6" BOT.EW	SECTION 1/R01
F11.0	13	11'-0"x11'-0"x2'-0"	G/14, G/13, G/12, F/11, E/9, E/8, F/8, H/8, D/7, E/7, F/7, H/7, A/12	13x2x13 #6 X 10'-6" BOT.EW	SECTION 1/R01
F12.0	20	12'-0"x12'-0"x2'-0"	D/14, E/14, F/14, D/13, E/13, F/13, F/12, D/11, E/11, B/10, D/10, B/9, C/9, D/9, H/9, C/6, D/6, B/7, C/7 & A/11	20x2x14 #8 X 11'-6" BOT.EW	SECTION 1/R01
F13.0	9	13'-0"x13'-0"x2'-0"	B/14, C/14, H/14, B/13, B/11, C/10, B/8, D/12 & E/12	9x2x15 #8 X 12'-6" BOT.EW	SECTION 1/R01
F14.0	2	14'-0"x14'-0"x2'-0"	C/13 & B/12	2x2x16 #8 X 13'-6" BOT.EW	SECTION 1/R01
F15.0	2	15'-0"x15'-0"x2'-6"	C/12 & C/11	2x2x17 #8 X 14'-6" BOT.EW	SECTION 1/R01

**PIER SCHEDULE**

MARK	QTY	SIZE	GRID LOCATION	VERTS	TIES & ADD'L TIES	REMARK
P3	2	28"x28"	A/15 & A/14	2x20 #6 6A02 D/V	2x2x4 #4 4A01 @12" TIES 2x2x4 #4 4A02 @12" INNER TIES 2x2x4 #4 4A01 @3" TIES @ TOP 2x2x4 #4 4A02 @3" INNER TIES @ TOP	SECTION 2/R01
P3A	1	28"x28"	A/7	20 #6 6A03 D/V	2x5 #4 4A01 @12" TIES 2x5 #4 4A02 @12" INNER TIES 2x4 #4 4A01 @3" TIES @ TOP 2x4 #4 4A02 @3" INNER TIES @ TOP	SECTION 2/R01
P3B	2	28"x28"	A.1/10.8 & A.1/11.8	2x20 #6 6A01 D/V	2x2x2 #4 4A01 @12" TIES 2x2x2 #4 4A02 @12" INNER TIES 2x2x4 #4 4A01 @3" TIES @ TOP 2x2x4 #4 4A02 @3" INNER TIES @ TOP	SECTION 2/R01

Release Number: R01

Bar Mark	Qty	Size	Total Length	Type	X	Y	Z	BAR LIST	X	Y	Z	X	Y	Z
4A01	24	#4	7'-3 3/4"	11	0'-4 1/2"	1'-3 1/2"	2'-0"	1'-3 1/2"	2'-0"	0'-4 1/2"				
4A02	24	#4	2'-0"	19	0'-4 1/2"	2'-0"								
6A01	40	#6	3'-5 1/2"	2	1'-0"	2'-5 1/2"								
6A02	40	#6	6'-5 1/2"	2	1'-0"	5'-5 1/2"								
6A03	20	#6	7'-5 1/2"	2	1'-0"	6'-5 1/2"								



**REBAR GRADE 60 ASTM A-615**

**SPLICES USED**

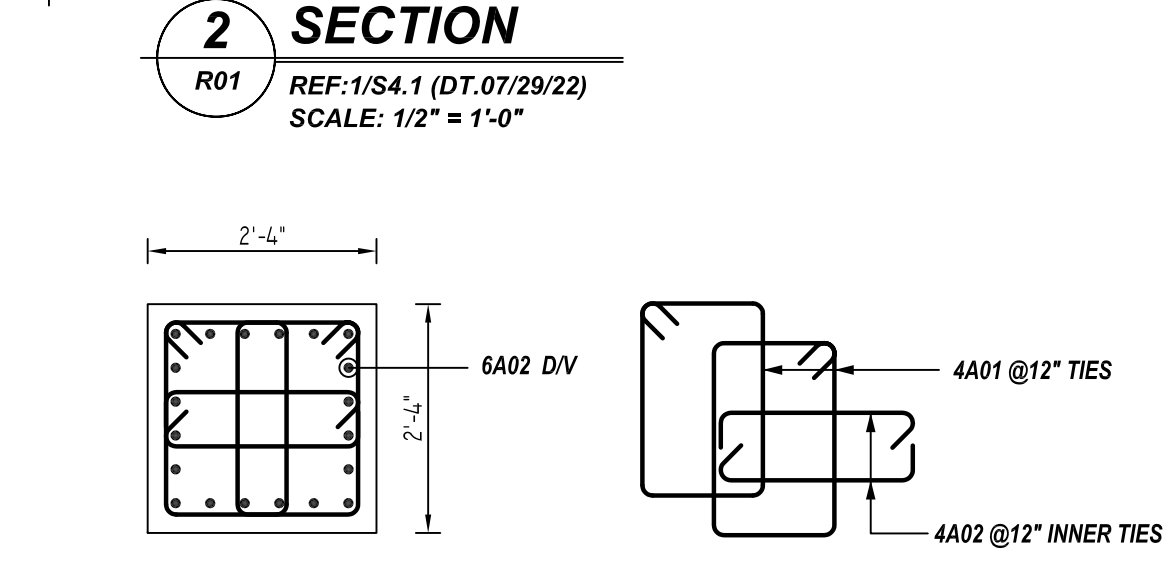
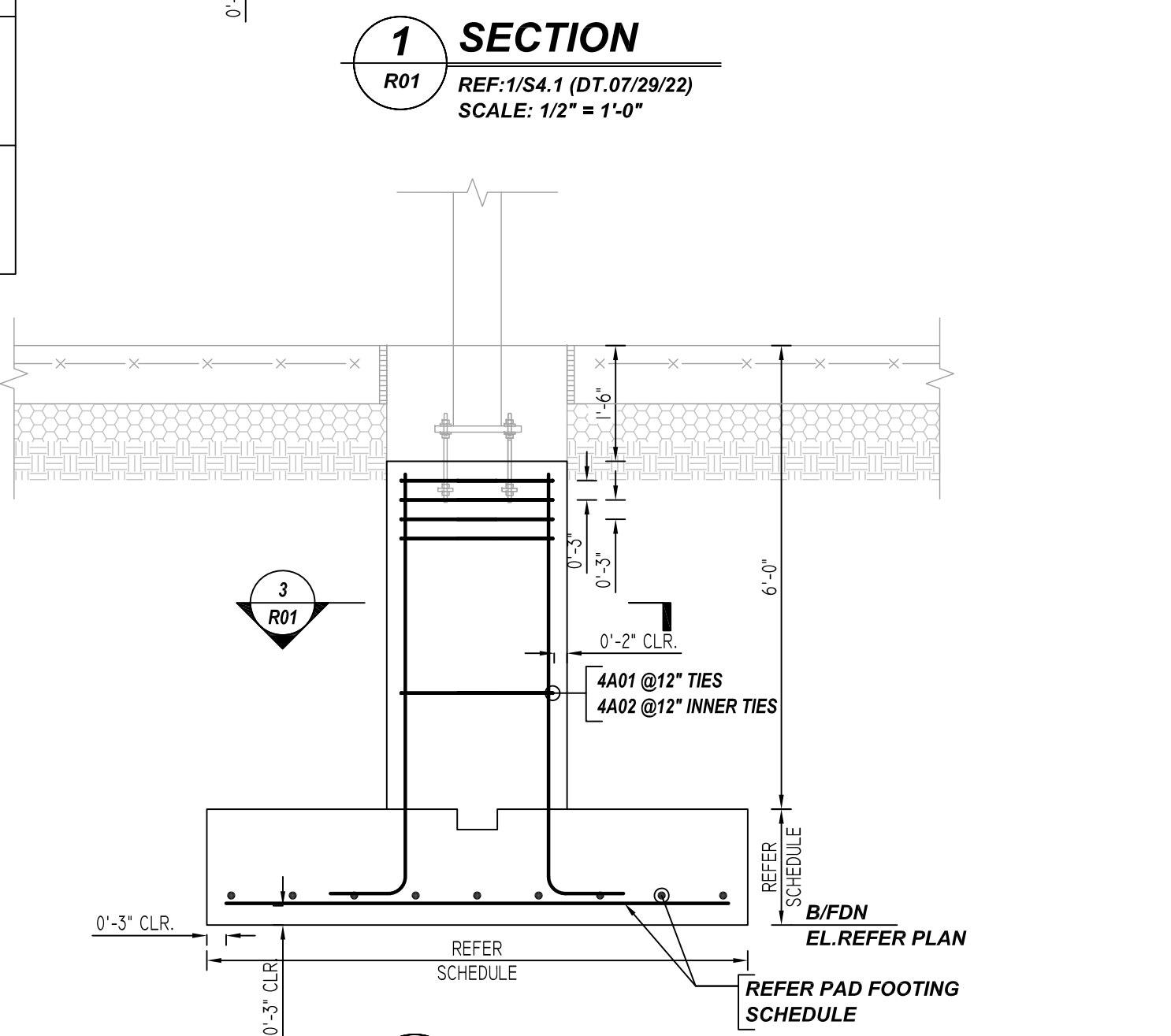
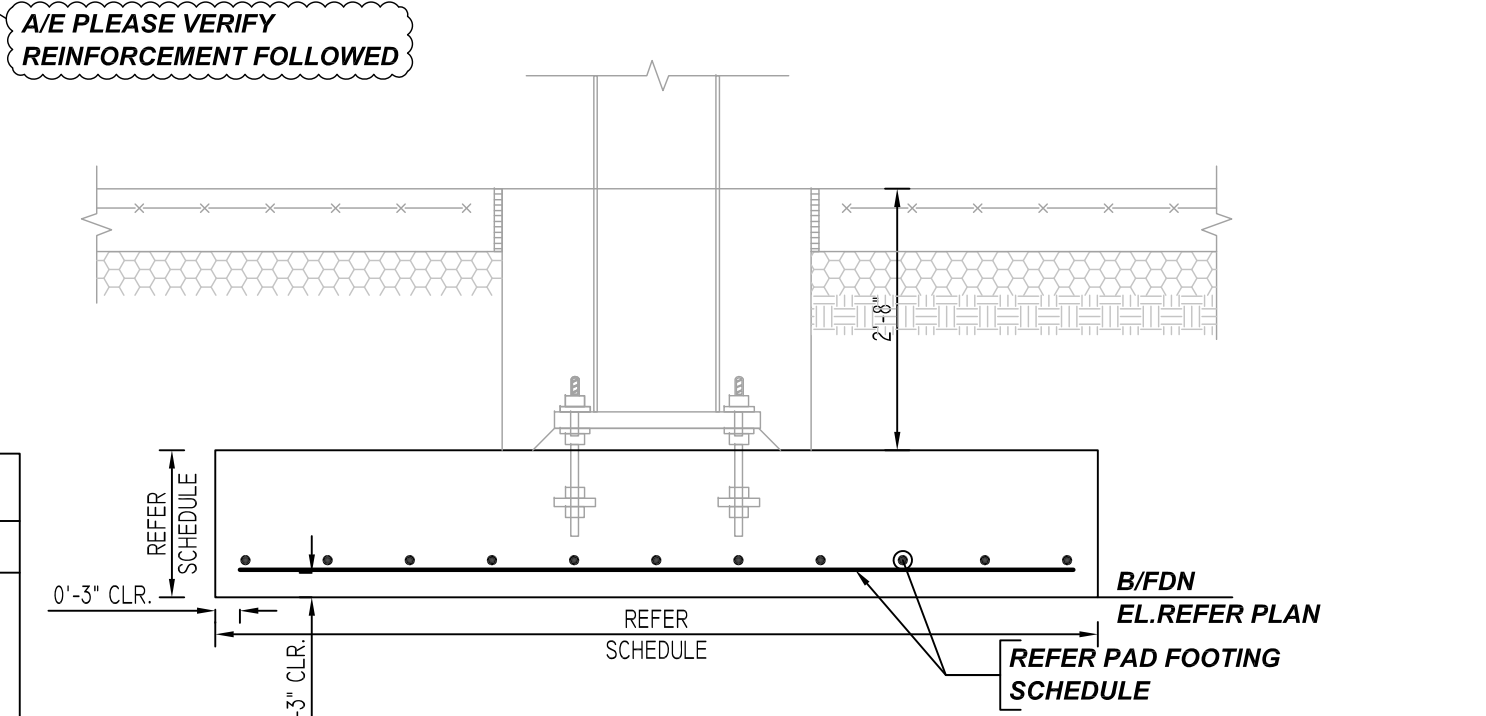
CLASS B 4,500 psi UNO

TOP BARS	OTHER BARS
#3 24"	#3 19"
#4 32"	#4 24"
#5 39"	#5 30"
#6 46"	#6 36"
#7 67"	#7 52"
#8 77"	#8 59"
#9 86"	#9 67"
#10 95"	#10 73"
#11 104"	#11 81"
#14	#14

ABBREVIATIONS		BAR MARK SIZE EQUIVALENT	
ADD.	= Additional	Imperial	Soft Metric
B.O.W.	= Bottom of wall	#3	#10
C.B.	= Corner Bars	#4	#13
DIAG.	= Diagonal	#5	#16
D.O.	= Door Opening	#6	#19
DWLS.	= Dowels	#7	#22
E.F.	= Each Face	#8	#25
E.S.	= Each Side	#9	#29
E.W.	= Each Way	#10	#32
FTG.	= Footing	#11	#36
F.F.	= Far Face		
HORIZ.	= Horizontal		
I.F.	= Inside Face		
INTERS=	= Intersection		
L.W.	= Long Way		
N.F.	= Near Face		
O.F.	= Outside Face		
S.W.	= Short Way		
T&B	= Top & Bottom		
T.O.W.	= Top of Wall		
Trans.	= Transverse		
VERT.	= Vertical		

**NOTICE**  
SHORTAGES, IMPROPER FABRICATION OR CLAIMS FOR ANY OTHER REASON MUST BE REPORTED TO THIS COMPANY WITHIN 10 DAYS FROM ORIGINAL DELIVERY. THIS COMPANY ALSO RESERVES THE RIGHT TO FIELD INSPECT MATERIALS PRIOR TO REPLACEMENT OR RECONDITIONING OF MATERIALS AND WILL NOT BE LIABLE FOR CHARGES FROM WORK DONE IN THE FIELD WITHOUT PRIOR AUTHORIZATION FROM THIS COMPANY.

REINFORCING STEEL PLACING DRAWING ONLY USE IN CONJUNCTION WITH CONTRACT DRAWINGS & SPECIFICATIONS. ELEVATIONS & DIMENSIONS SHOWN ON DRAWING ARE FOR DETAILING PURPOSES ONLY AND SHOULD NOT BE USED FOR CONSTRUCTION UNLESS VERIFIED BY ENGINEER OR CONTRACTOR.

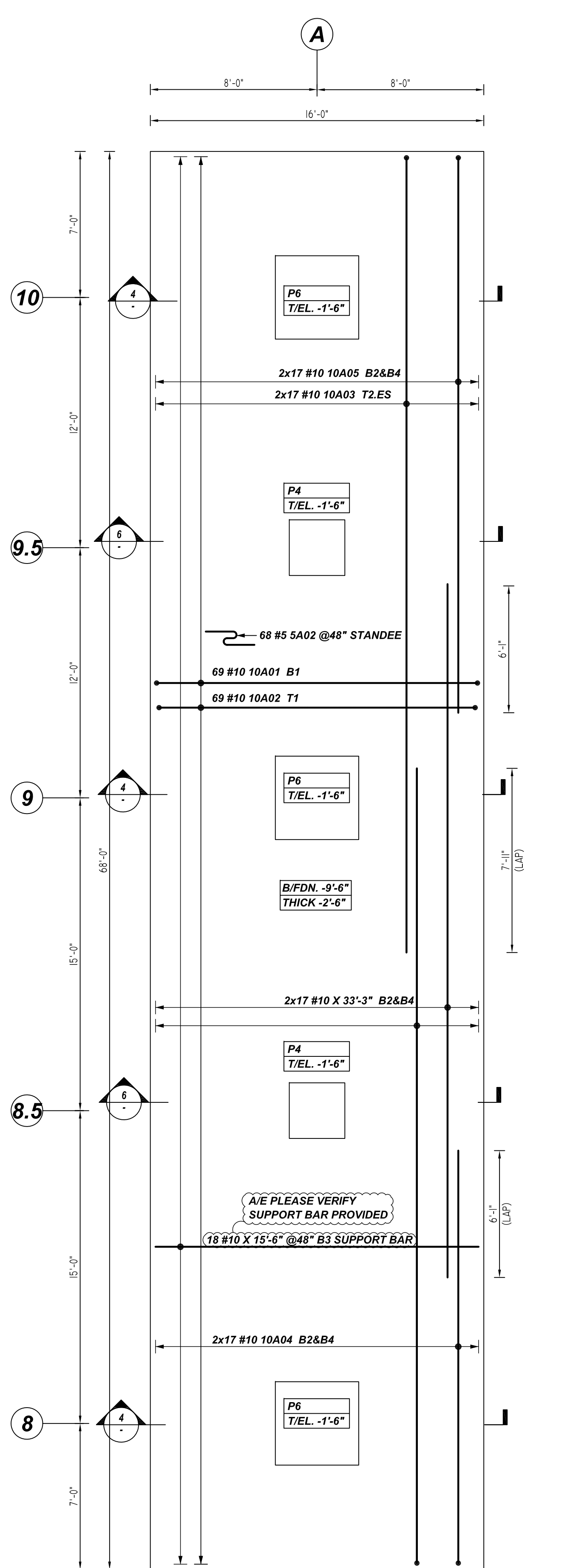


A/E PLEASE VERIFY TIES ARRANGEMENT FOLLOWED

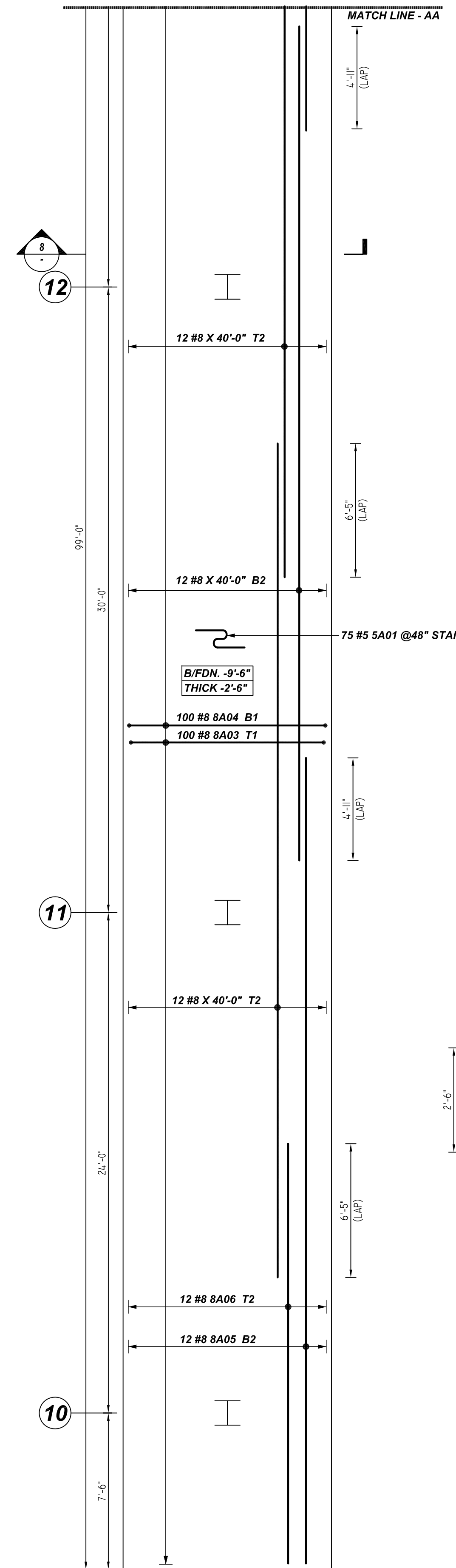
**STA PHARMACEUTICAL MIDDLETOWN EXPANSION DP-1  
DP-1 BUILDING SECTOR 1 PAD FOOTING & PIER REINFORCEMENT DETAILS  
MIDDLETOWN, DE 19709**

CUSTOMER: -  
DESIGNER: -  
DRAWN BY: JSN/MET DATE: 08.08.22 JOB NO: - SHEET NO. R01

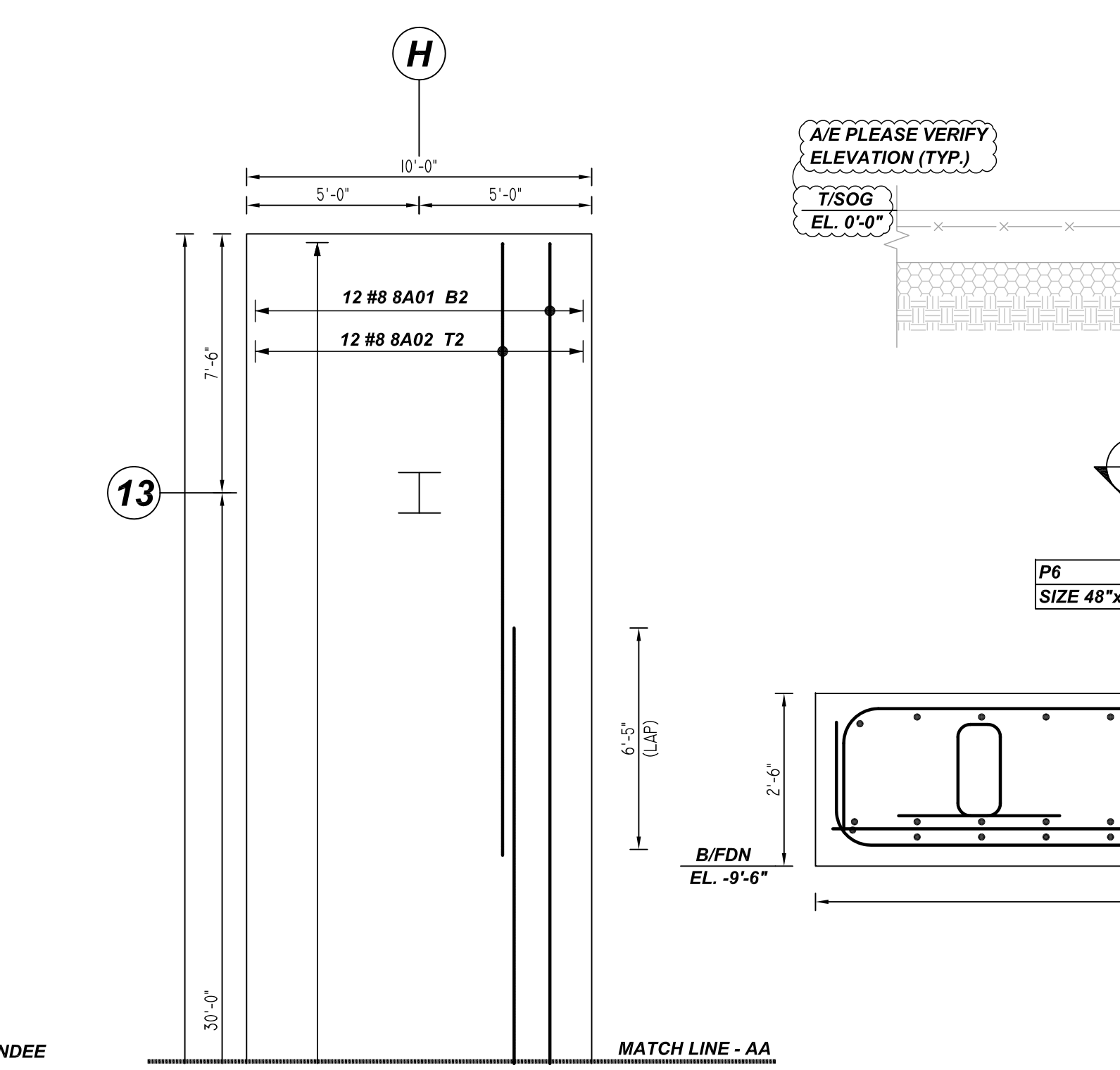
REV NO	DATE	APPROVAL	SENT FOR	REV NO	DATE	SENT FOR
0	08.08.22					



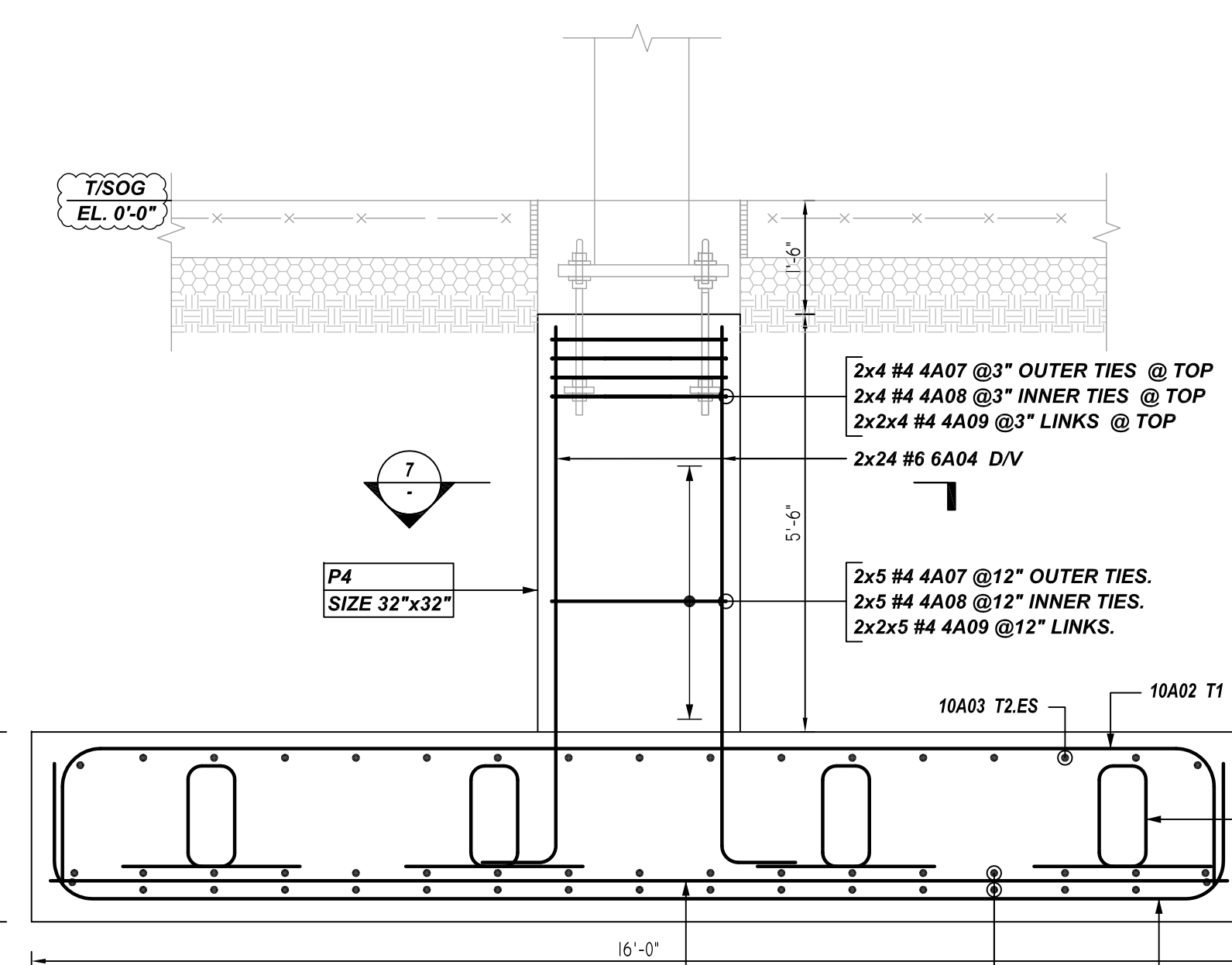
**COMBINED FOOTING F68.0X16.0 REINF. DETAILS**  
 REF:S2.1.1 & 19/S4.1 (DT.07/29/22)  
 SCALE: 1/4" = 1'-0"



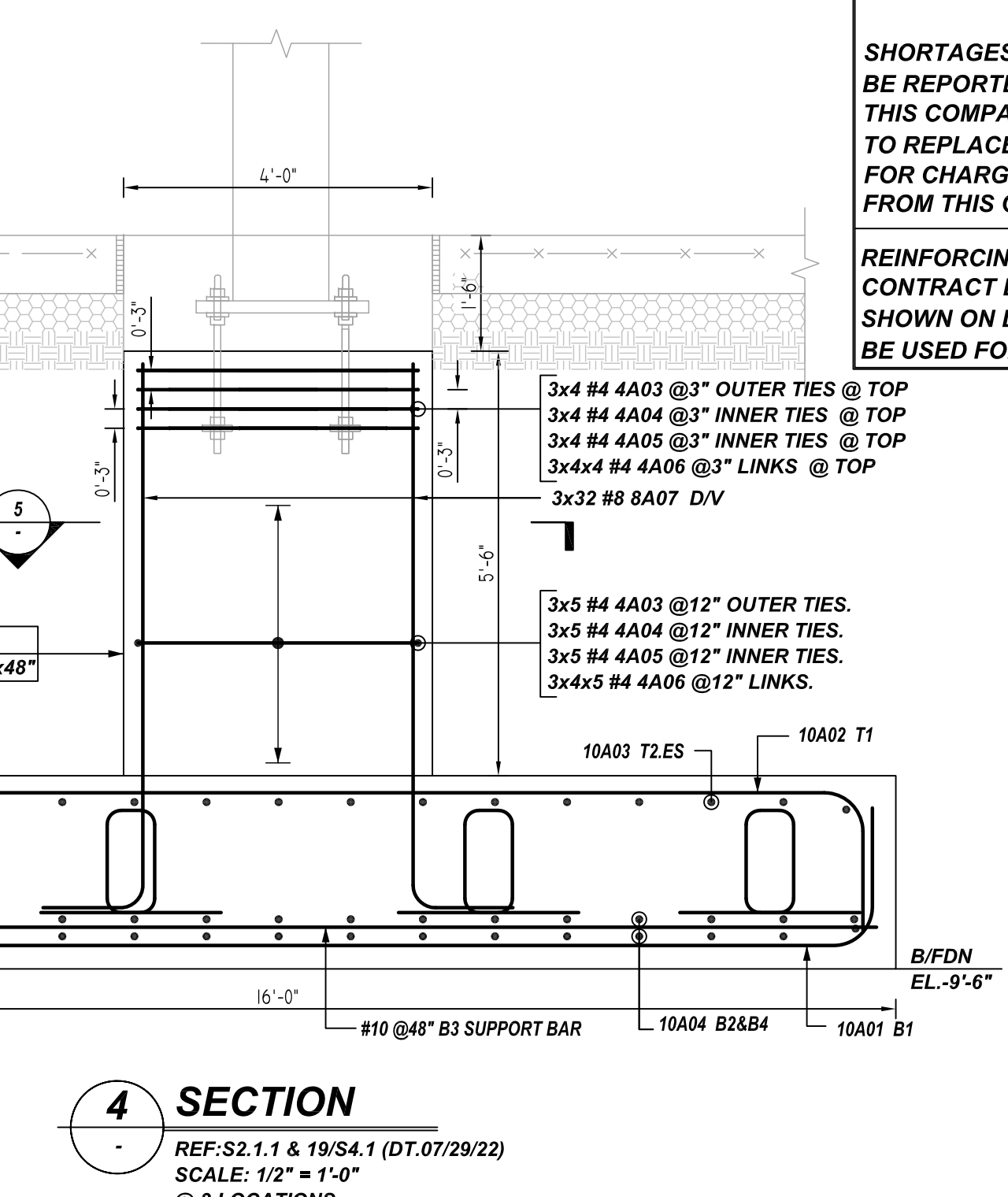
**COMBINED FOOTING F99.0X10.0 REINF. DETAILS**  
 REF:S2.1.1 & 21/S4.1 (DT.07/29/22)  
 SCALE: 1/4" = 1'-0"



**4 SECTION**  
 REF:S2.1.1 & 19/S4.1 (DT.07/29/22)  
 SCALE: 1/2" = 1'-0"  
 @ 3 LOCATIONS



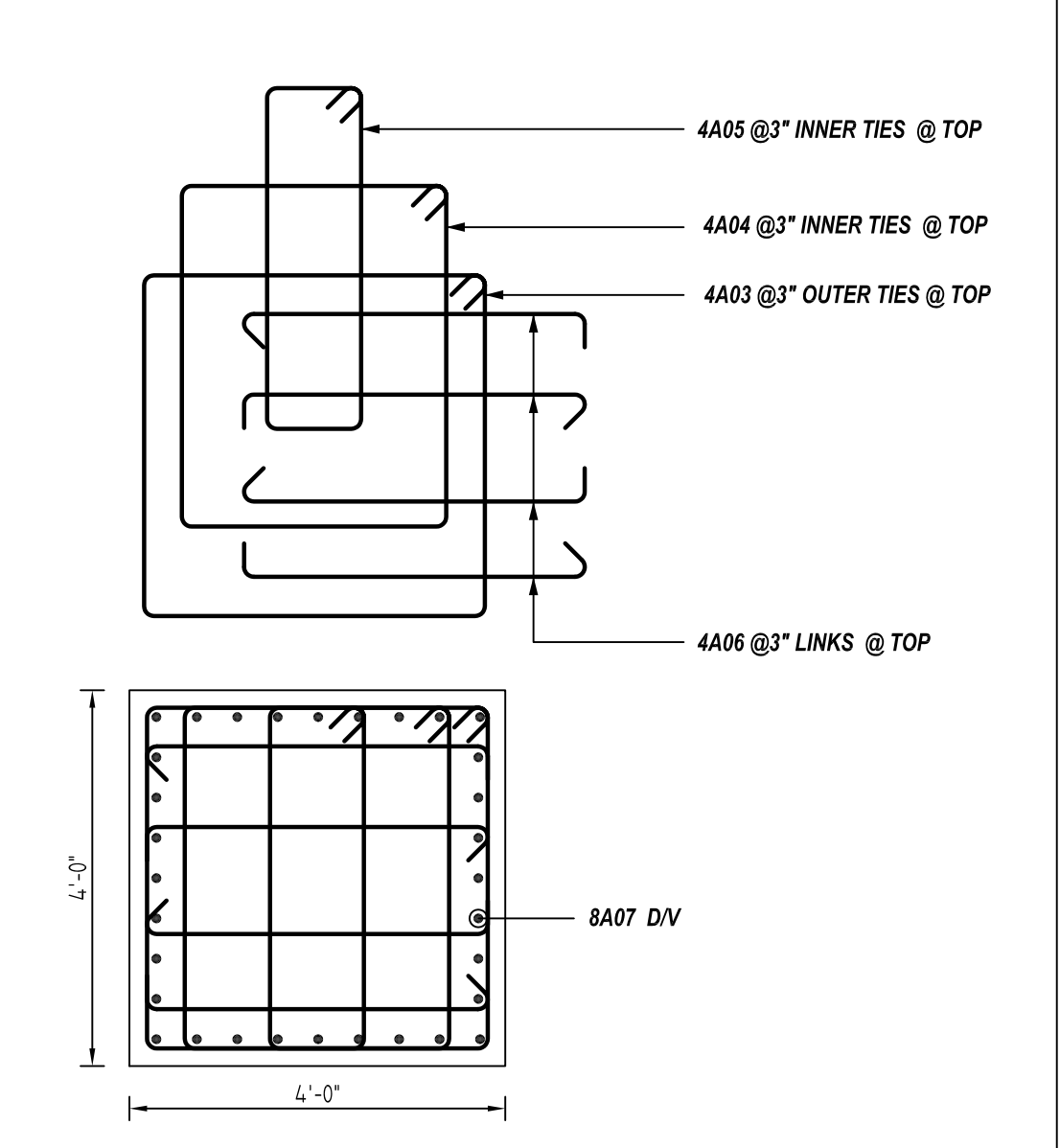
**6 SECTION**  
 REF:S2.1.1 & 19/S4.1 (DT.07/29/22)  
 SCALE: 1/2" = 1'-0"  
 @ 2 LOCATIONS



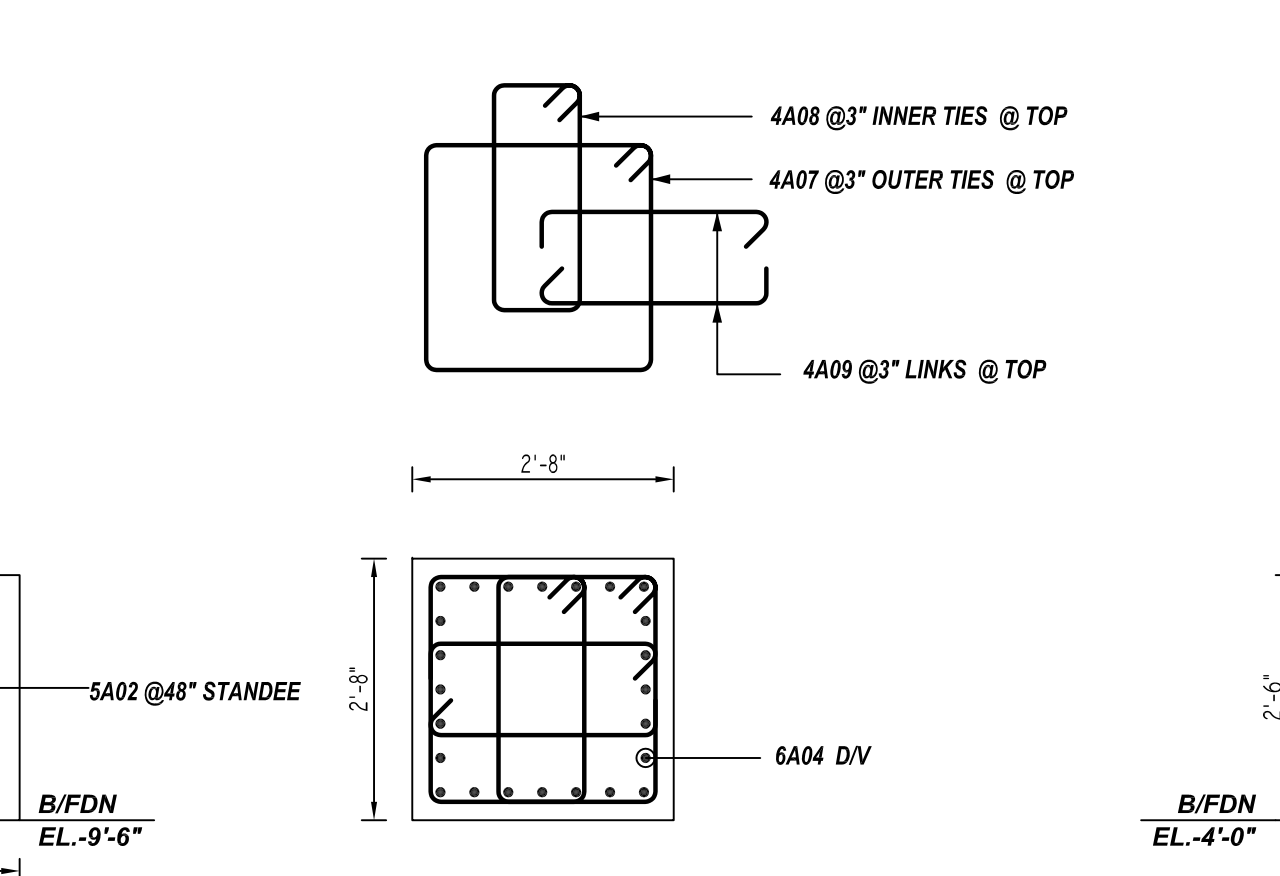
**7 SECTION**  
 REF:11/S4.1 (DT.07/29/22)  
 SCALE: 1/2" = 1'-0"

**NOTICE**  
 SHORTAGES, IMPROPER FABRICATION OR CLAIMS FOR ANY OTHER REASON MUST BE REPORTED TO THIS COMPANY WITHIN 10 DAYS FROM ORIGINAL DELIVERY. THIS COMPANY ALSO RESERVES THE RIGHT TO FIELD INSPECT MATERIALS PRIOR TO REPLACEMENT OR RECONDITIONING OF MATERIALS AND WILL NOT BE LIABLE FOR CHARGES FROM WORK DONE IN THE FIELD WITHOUT PRIOR AUTHORIZATION FROM THIS COMPANY.

REINFORCING STEEL PLACING DRAWING ONLY. USE IN CONJUNCTION WITH CONTRACT DRAWINGS & SPECIFICATIONS. ELEVATIONS & DIMENSIONS SHOWN ON DRAWING ARE FOR DETAILING PURPOSES ONLY AND SHOULD NOT BE USED FOR CONSTRUCTION UNLESS VERIFIED BY ENGINEER OR CONTRACTOR.



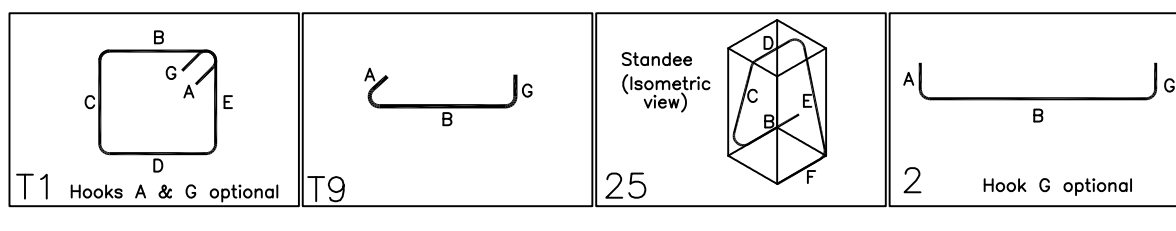
**5 SECTION**  
 REF:13/S4.1 (DT.07/29/22)  
 SCALE: 1/2" = 1'-0"



**8 SECTION**  
 REF:S2.1.1 & 19/S4.1 (DT.07/29/22)  
 SCALE: 1/2" = 1'-0"

Release Number: R02

Bar Mark	Qty	Size	Total Length	Type	X'	Y'	Z'	U'	V'	W'	X'	Y'	Z'	U'	V'	W'
4A03	27	#4	15'-5"	T1	0'-4 1/2"	3'-8"	3'-8"	3'-8"	3'-8"	3'-8"	0'-4 1/2"					
4A04	27	#4	15'-9 1/2"	T1	0'-4 1/2"	2'-10 1/2"	3'-8"	2'-10 1/2"	3'-8"	0'-4 1/2"						
4A05	27	#4	10'-2"	T1	0'-4 1/2"	1'-0 1/2"	3'-8"	1'-0 1/2"	3'-8"	0'-4 1/2"						
4A06	108	#4	4'-5"	T3	0'-4 1/2"	3'-8"	3'-8"	3'-8"	3'-8"	0'-4 1/2"						
4A07	18	#4	10'-11"	T1	0'-4 1/2"	2'-4"	2'-4"	2'-4"	2'-4"	0'-4 1/2"						
4A08	18	#4	7'-3"	T1	0'-4 1/2"	0'-11"	2'-4"	0'-11"	2'-4"	0'-4 1/2"						
4A09	36	#4	3'-11"	T3	0'-4 1/2"	2'-4"	2'-4"	2'-4"	2'-4"	0'-4 1/2"						
5A01	75	#5	7'-3"	T5	1'-6"	1'-9 1/2"	0'-8"	1'-9 1/2"	1'-6"	1'-9"	0'-10 1/2"					
5A02	68	#5	6'-5 1/2"	T5	1'-6"	1'-4 1/2"	0'-8"	1'-4 1/2"	1'-6"	1'-4 1/2"	0'-8 1/2"					
6A04	48	#6	8'-11"	T2	1'-0"	7'-1"										
8A01	12	#8	31'-1"	T2	1'-4"	29'-9"										
8A02	12	#8	18'-11"	T2	1'-4"	17'-9"										
8A03	100	#8	12'-0"	T2	1'-4"	9'-1"										
8A04	100	#8	12'-2"	T2	1'-4"	9'-6"										
8A05	12	#8	40'-0"	T2	1'-4"	38'-8"										
8A06	12	#8	21'-6"	T2	1'-4"	20'-2"										
8A07	96	#8	8'-5"	T2	1'-4"	7'-1"										
10A01	69	#10	19'-2"	T2	1'-10"	15'-6"										
10A02	69	#10	18'-11 1/2"	T2	1'-10"	15'-3 1/2"										
10A03	34	#10	40'-0"	T2	1'-10"	38'-2"										
10A04	34	#10	21'-4"	T2	1'-10"	19'-10"										
10A05	34	#10	28'-6"	T2	1'-10"	26'-8"										



**ALL BARS IN THIS DRAWING  
 ASTM A615 GRADE 60  
 BLACK UNCOATED**

TYPICAL REINFORCING BAR CLEARANCE TABLE

LOCATION	MIN. COVER
FOOTING SIDE & BOTTOM	3" CLR
FOOTING TOP	2" CLR
PIER ALL SIDES	2" CLR

A/E PLEASE VERIFY FOOTING TO COVER

**REBAR GRADE 60 ASTM A-615**

**SPLICES USED**

**CLASS B 4,500 psi UNO**

TOP BARS	OTHER BARS
#3 24"	#3 19"
#4 32"	#4 24"
#5 39"	#5 30"
#6 46"	#6 36"
#7 67"	#7 52"
#8 77"	#8 59"
#9 86"	#9 67"
#10 95"	#10 73"
#11 104"	#11 81"
#14	#14

**ABBREVIATIONS**

- ADD. = Additional
- B.O.W. = Bottom of wall
- C.B. = Corner Bars
- DIAG. = Diagonal
- D.O. = Door Opening
- D.W.L.S. = Dowels
- E.F. = Each Face
- E.S. = Each Side
- E.W. = Each Way
- FTG. = Footing
- F.F. = Far Face
- HORIZ. = Horizontal
- I.F. = Inside Face
- INTERS. = Intersection
- L.W. = long Way
- N.F. = Near Face
- O.F. = Outside Face
- S.W. = Short Way
- T&B = Top & Bottom
- T.O.W. = Top of Wall
- Trans. = Transverse
- VERT. = Vertical

**BAR MARK SIZE EQUIVALENT**

Imperial	Soft Metric
#3	#10
#4	#13
#5	#16
#6	#19
#7	#22
#8	#25
#9	#29
#10	#32
#11	#36

**STA PHARMACEUTICAL MIDDLETOWN EXPANSION DP-1**  
 DP-1 BUILDING SECTOR 1 PAD FOOTING & PIER REINFORCEMENT DETAILS  
**MIDDLETOWN, DE 19709**

CUSTOMER: -  
 DESIGNER: -

REV NO	DATE	APPROVAL	SENT FOR	REV NO	DATE	SENT FOR
0	08.08.22	APPROVAL				

DRAWN BY	DATE	JOB NO	SHEET NO.
JSN/MET	08.08.22	-	R02