

**NOTICE**

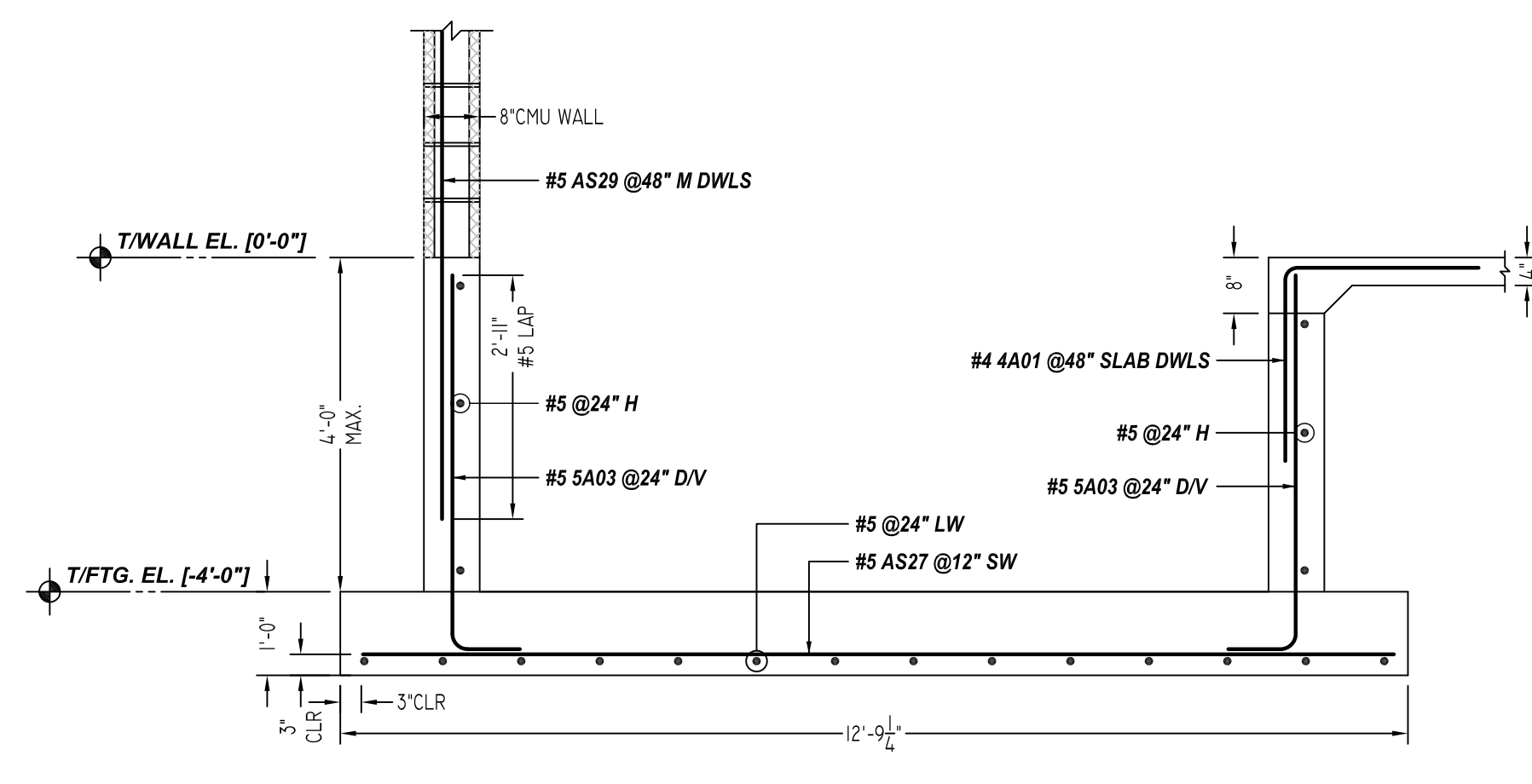
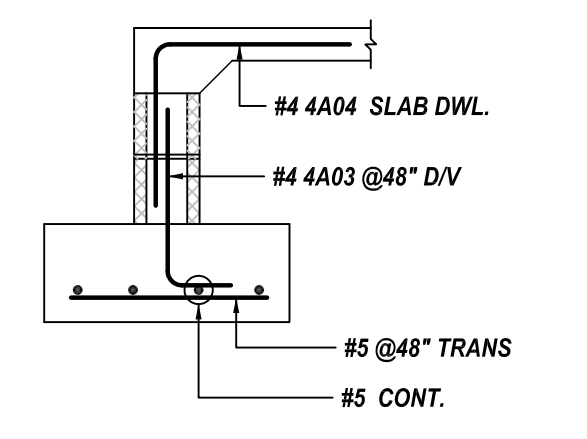
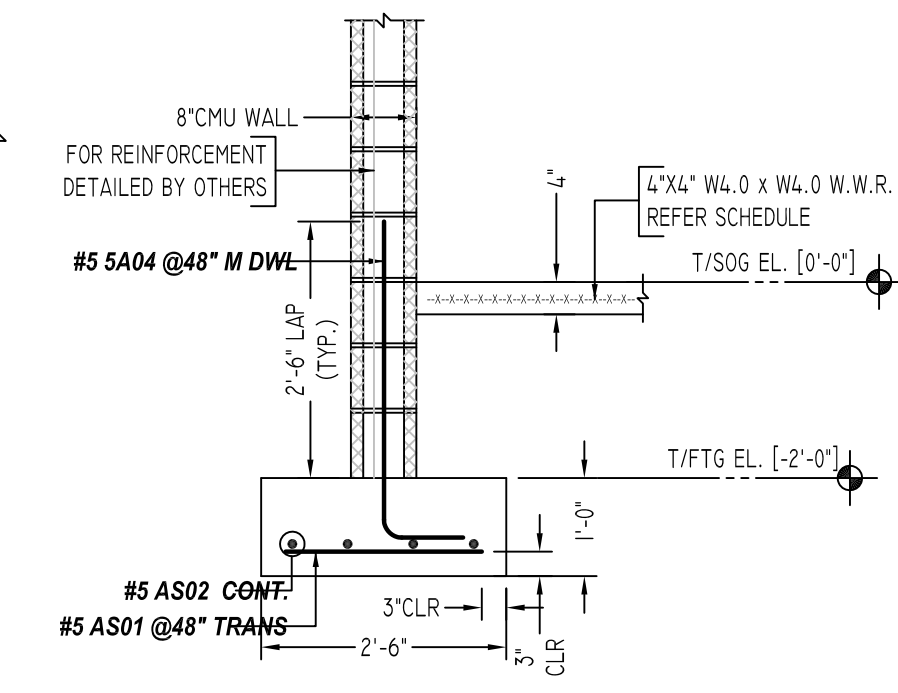
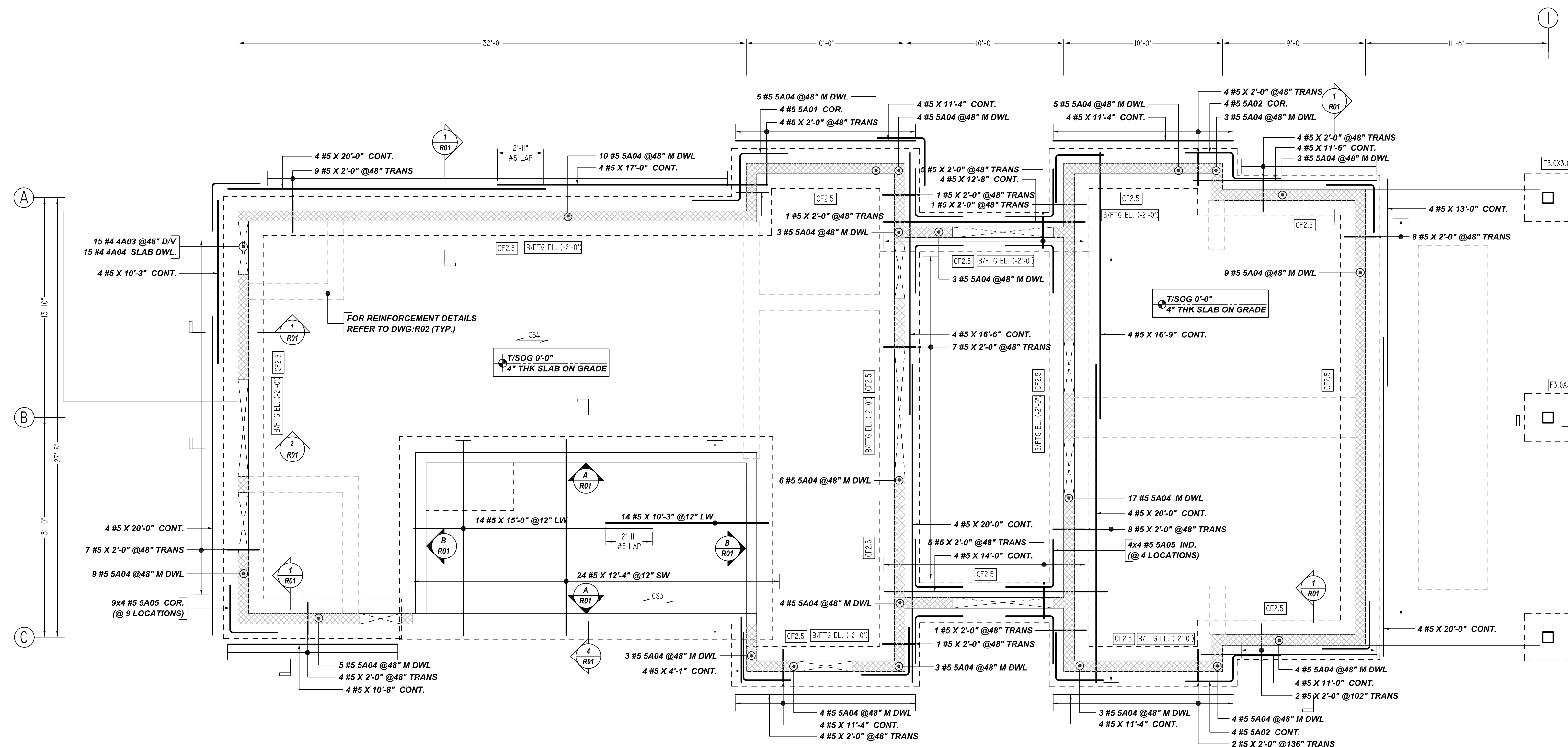
SHORTAGES, IMPROPER FABRICATION OR CLAIMS FOR ANY OTHER REASON MUST BE REPORTED TO THIS COMPANY WITHIN 10 DAYS FROM ORIGINAL DELIVERY. THIS COMPANY ALSO RESERVES THE RIGHT TO FIELD INSPECT MATERIALS PRIOR TO REPLACEMENT OR RECONDITIONING OF MATERIALS AND WILL NOT BE LIABLE FOR CHARGES FROM WORK DONE IN THE FIELD WITHOUT PRIOR AUTHORIZATION FROM THIS COMPANY.

REINFORCING STEEL PLACING DRAWING ONLY. USE IN CONJUNCTION WITH CONTRACT DRAWINGS & SPECIFICATIONS. ELEVATIONS & DIMENSIONS SHOWN ON DRAWING ARE FOR DETAILING PURPOSES ONLY AND SHOULD NOT BE USED FOR CONSTRUCTION UNLESS VERIFIED BY ENGINEER OR CONTRACTOR.

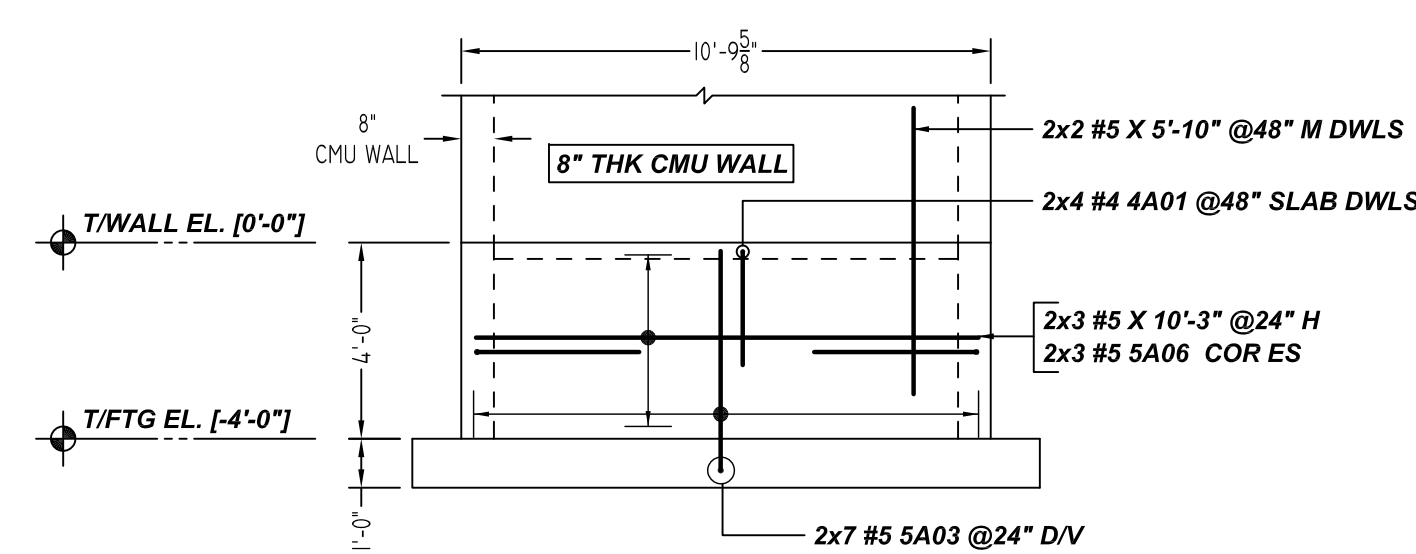
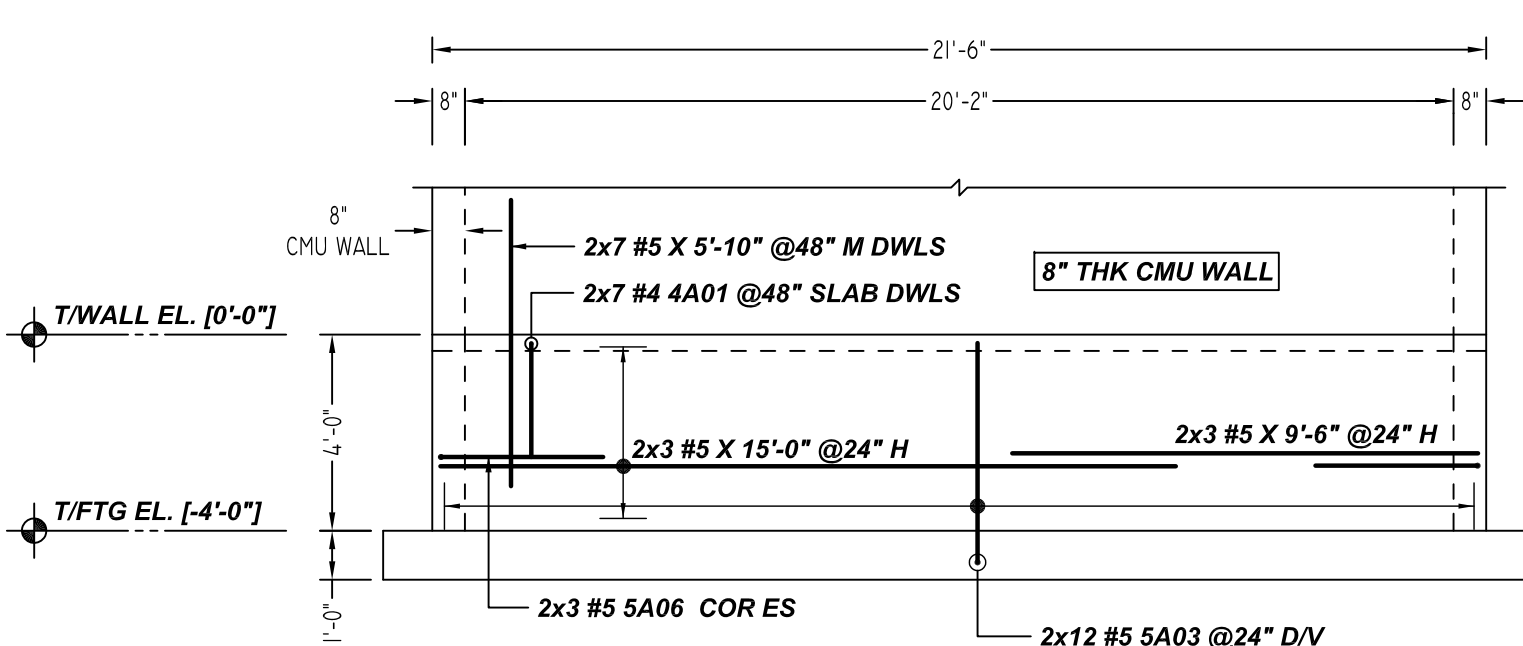
FOOTING SCHEDULE					
MARK	QTY	SIZE	GRID LOCATION	REINFORCING	REMARK
F3	3	3.0'X3.0'X1.0'	1/A, 1/B, 1/C	3x2x4 #5 X 2'-6" B EW	REFER SECTION - 3

TYPICAL REINFORCING BAR CLEARANCE TABLE	
LOCATION	MIN. COVER
FOOTING BOTTOM & SIDE	3" CLR
FOOTING TOP	2" CLR

**ALL BARS IN THIS DRAWING  
ASTM A615 GRADE 60  
BLACK UNCOATED**



**FOUNDATION REINFORCEMENT DETAILS**  
SCALE - 1/4"=1'-0"  
REF: S101 & S501



**ELEVATION A**  
SCALE - 1/4"=1'-0"  
REF: S501  
(@ 2 LOCATIONS)

**ELEVATION B**  
SCALE - 1/4"=1'-0"  
REF: S501  
(@ 2 LOCATIONS)

A/E PLEASE VERIFY LAP VALUE FOLLOWED (TYP.)

**FOR FOOTING**

SIZE	3500 PSI	
	TOP	OTHERS
#3	28"	21"
#4	37"	28"
#5	47"	35"
#6	55"	42"
#7	98"	75"
#8	112"	86"
#9	127"	97"

**FOR FOOTING WALL**

SIZE	4500 PSI	
	TOP	OTHERS
#3	25"	19"
#4	31"	24"
#5	40"	31"
#6	48"	37"
#7	87"	67"
#8	99"	76"
#9	111"	85"

**FOR SLAB ON GRADE**

SIZE	4500 PSI	
	TOP	OTHERS
#3	23"	18"
#4	30"	23"
#5	38"	29"
#6	46"	35"
#7	82"	63"
#8	93"	72"
#9	105"	81"

**FOR CMU WALL**

SIZE	48 Ø LAP	
	#3	#4
#3	18"	24"
#4	24"	30"
#5	30"	36"
#6	36"	42"
#7	42"	48"
#8	48"	55"
#9	55"	61"
#10	61"	68"

**REBAR GRADE 60 ASTM A-615**

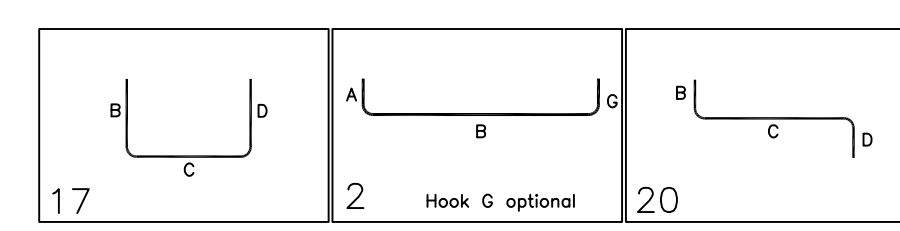
SPLICES USED		ABBREVIATIONS		BAR MARK SIZE EQUIVALENT	
CLASS B, 4,000 PSI UNO					
TOP BARS	OTHER BARS			Imperial	Soft Metric
#3 24"	#3 19"	ADD.	= Additional	#3	#10
#4 32"	#4 25"	B.O.W.	= Bottom of wall	#4	#13
#5 40"	#5 31"	C.B.	= Corner Bars	#5	#16
#6 48"	#6 37"	DIAG.	= Diagonal	#6	#19
#7 70"	#7 54"	D.O.	= Door Opening	#7	#22
#8 80"	#8 62"	DWLS.	= Dowels	#8	#25
#9 91"	#9 70"	E.F.	= Each Face	#9	#29
#10 102"	#10 79"	E.S.	= Each Side	#10	#32
#11 113"	#11 87"	E.W.	= Each Way	#11	#36
#14	#14	FTG.	= Footing		
		F.F.	= Far Face		
		HORIZ.	= Horizontal		
		I.F.	= Inside Face		
		INTERS.	= Intersection		
		L.W.	= long Way		
		N.F.	= Near Face		
		O.F.	= Outside Face		
		S.W.	= Short Way		
		T&B	= Top & Bottom		
		T.O.W.	= Top of Wall		
		TRANS.	= Transverse		
		VERT.	= Vertical		

**SEA COLONY - T4 AQUATICS CENTER**  
FOUNDATION REINFORCEMENT DETAILS  
**SUSSEX COUNTY, DE**

CUSTOMER: -  
DESIGNER: -

Release Number: R01

Bar Mark	Qty	Size	Total Length	Type	X'	Y'	Z'	Y'	Y'	Y'	Y'	Y'	Y'	Y'
4A01	22	#4	4'-8"	17			2'-4"							
4A03	15	#4	2'-5 1/2"	2	0'-8"	1'-9 1/2"								
4A04	15	#4	3'-8"	17		1'-8"	2'-0"							
5A01	4	#5	9'-0"	20		3'-0"	3'-0"	3'-0"						
5A02	8	#5	7'-8"	20		3'-0"	1'-8"	3'-0"						
5A03	38	#5	3'-4"	2	0'-10"	4'-5"								
5A04	107	#5	4'-1"	2	0'-10"	3'-3"								
5A05	53	#5	6'-0"	17		3'-0"	3'-0"							
5A06	12	#5	6'-8"	17		3'-4"	3'-4"							



REV NO	DATE	APPROVAL	REV NO	DATE	SENT FOR
0	08.04.21				

DRAWN BY	DATE	JOB NO	SHEET NO.
MRR/MET	08.04.21	-	R01

