

FOOTING SCHEDULE

MARK	QTY	SIZE	GRID LOCATION	REINFORCING	REMARK
F-30x30x12	2	30"x30"x12"	-	2x2x3 #5 X 2'-0" B EW	REFER SECTION - 2
F-42x42x12	1	42"x42"x12"	-	2x4 #5 X 3'-0" B EW	REFER SECTION - 2
F-24x42x12	6	42"x42"x12"	-	6x2x5 #5 X 3'-0" B EW	REFER SECTION - 2
F-54x54x12	1	54"x54"x12"	-	2x6 #5 X 4'-0" B EW	REFER SECTION - 2
F-24x54x12	2	54"x54"x12"	-	2x2x6 #5 X 4'-0" B EW	REFER SECTION - 2
F2-9x9x2	1	108"x108"x24"	-	2x11 #6 X 8'-6" B EW 2x11 #6 X 8'-6" T EW 4 #4 4A01 @48" STANDEES	REFER SECTION - 1
F2-9x11.2x2	1	108"x134"x24"	-	12 #6 X 10'-8" B LW 12 #6 X 8'-6" B SW 12 #6 X 10'-8" T LW 12 #6 X 8'-6" T SW 6 #4 4A01 @48" STANDEES	REFER SECTION - 2
F-30x112x16	1	30"x112"x16"	-	4 #5 X 8'-0" B LW 12 #5 X 2'-0" B SW 4 #5 X 8'-0" T LW 12 #5 X 2'-0" T SW 4 #4 4A02 @48" STANDEES	REFER SECTION - 2

LAP SCHEDULE

FOR FOUNDATION & COLUMN

SIZE	3000 PSI	
	TOP	OTHERS
#3	21"	16"
#4	28"	22"
#5	35"	27"
#6	46"	35"
#7	63"	48"
#8	93"	72"

LAP SCHEDULE

FOR CMU

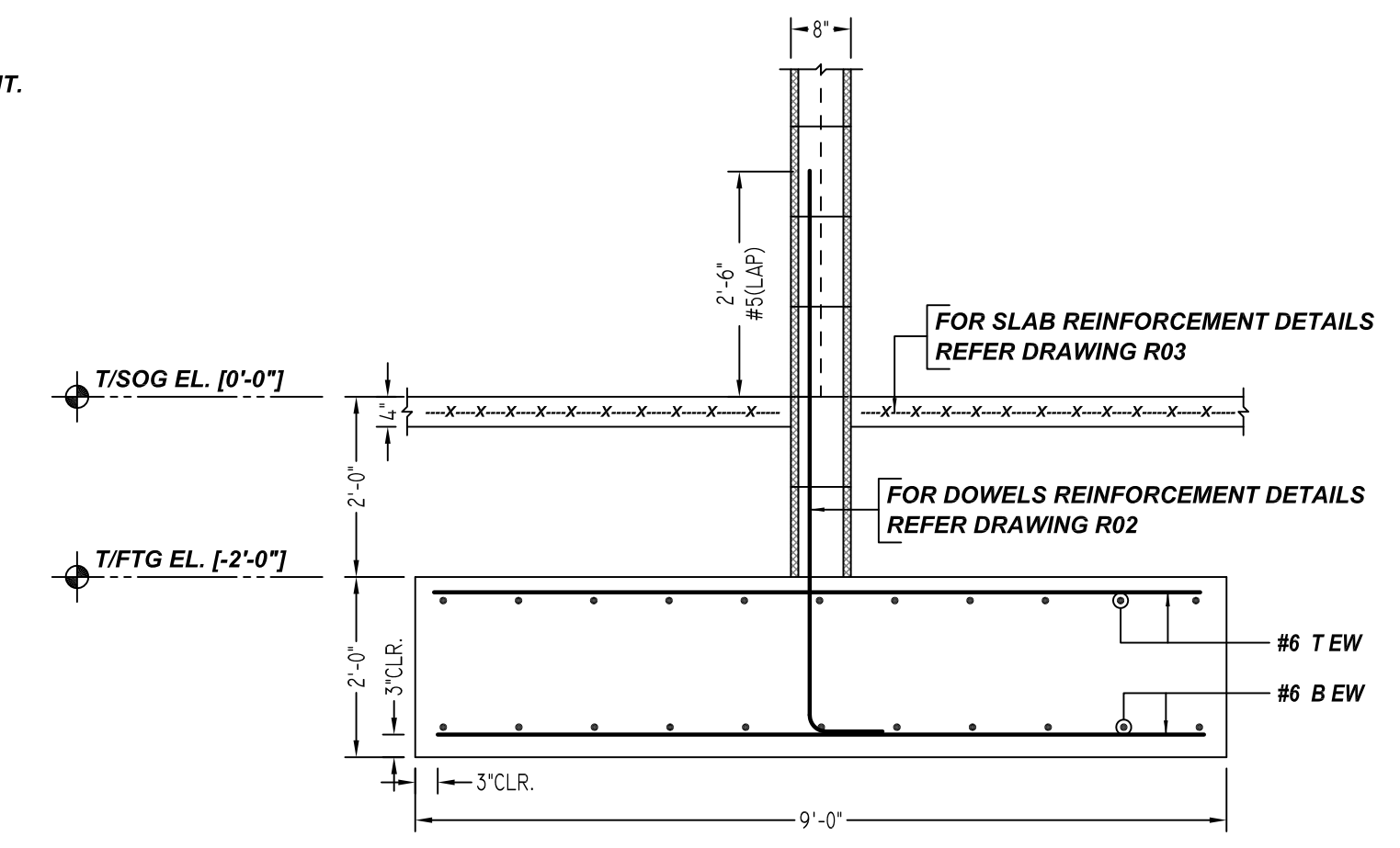
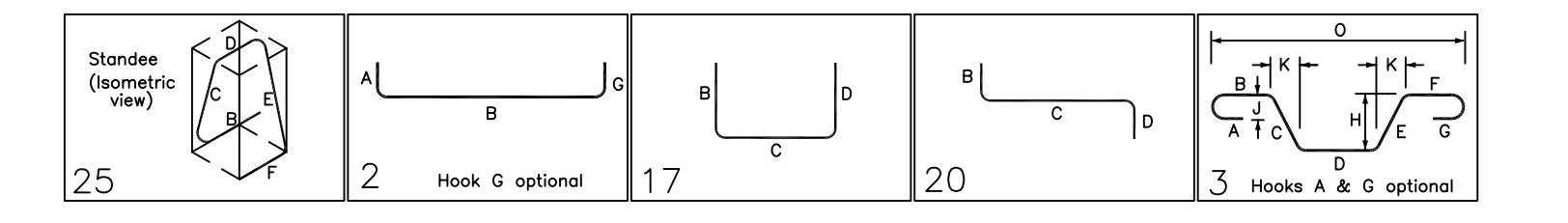
SIZE	LAP
#3	18"
#4	24"
#5	30"
#6	36"
#7	42"
#8	48"

TYPICAL REINFORCING BAR CLEARANCE TABLE

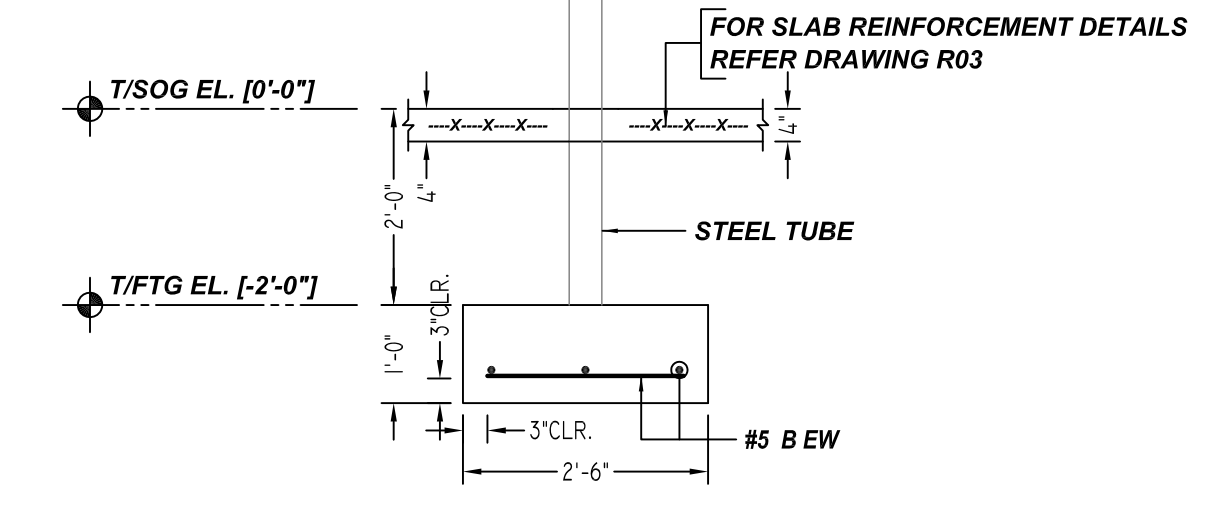
LOCATION	MIN. COVER
FOOTING BOTTOM	3" CLR
SIDE	3" CLR

BENDING DETAILS

Bar Mark	Qty	Size	Total Length	Type	X	Y	Z	BENDING DETAILS
AN01	10	#4	5'-4"	25	1'-6"	1'-4"	0'-8"	1'-4"
AN02	4	#4	5'-1"	25	1'-6"	0'-8"	0'-8"	1'-6"
AN04	4	#4	5'-8"	2	0'-8"	5'-0"	0'-8"	1'-6"
SA01	4	#5	5'-2"	17	2'-3"	2'-11"		
SA02	58	#5	4'-8"	17	2'-3"	2'-3"		
SA03	4	#5	5'-6"	17	2'-3"	3'-3"		
SA04	3	#5	6'-0"	20	2'-3"	1'-6"	2'-3"	
SA05	5	#5	7'-4"	13	2'-3"	2'-0"	2'-3"	
SA06	1	#5	8'-7"	20	2'-3"	2'-4"	4'-0"	2'-0"
SA07	4	#5	5'-6"	20	2'-3"	1'-0"	2'-3"	1'-11"
SA08	3	#5	7'-6"	20	2'-3"	3'-0"	2'-3"	
SA09	1	#5	8'-7"	20	2'-3"	4'-1"	2'-3"	
SA10	2	#5	5'-7"	17	2'-3"	3'-4"		
SA11	4	#5	7'-2"	17	2'-3"	4'-11"		
SA16	3	#5	6'-11"	20	2'-3"	2'-5"	2'-3"	
SA17	1	#5	6'-11"	20	2'-3"	4'-5"	2'-3"	
SA18	1	#5	6'-10"	20	2'-3"	1'-8"	2'-11"	



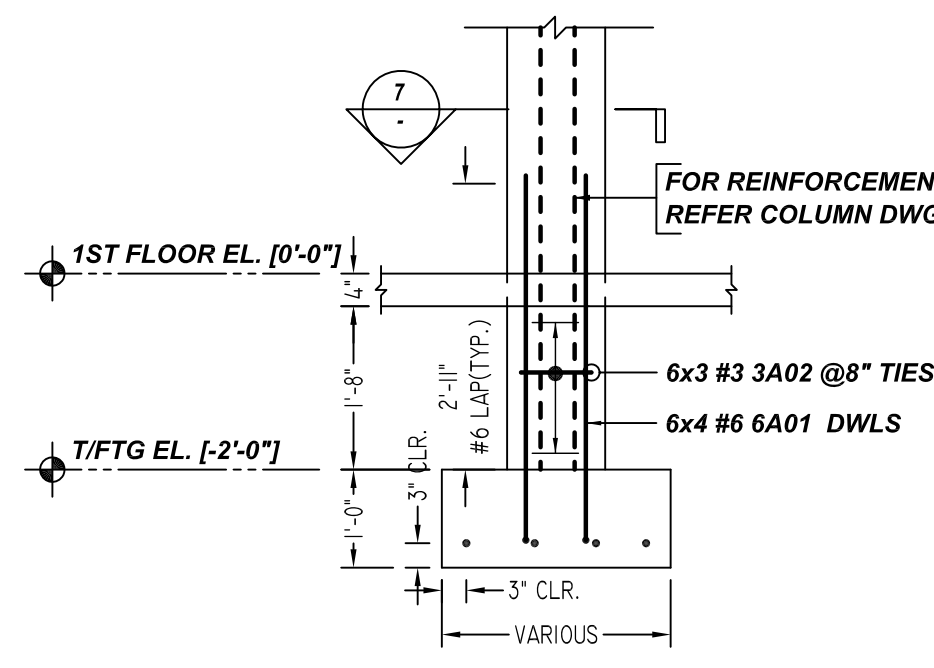
FOUNDATION REINFORCEMENT DETAILS
SCALE - 3/16"=1'-0"
REF:S1



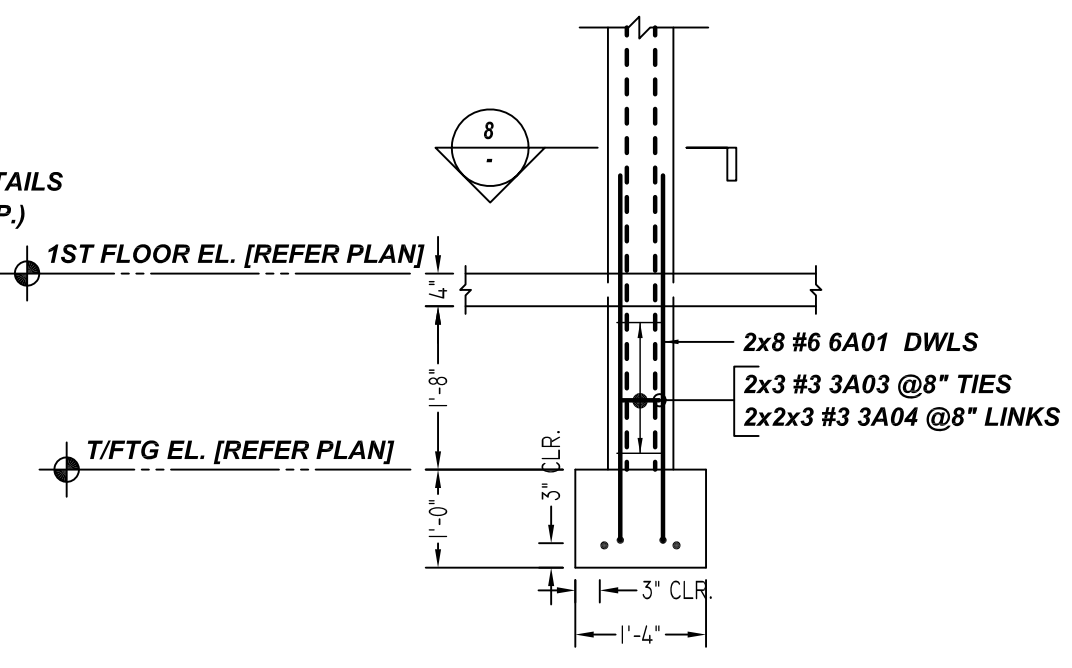
SECTION 2
SCALE - 1/2"=1'-0"
REF:S1

GRADE	60 A615	PRINT RECORD	
PREFIX		NO.	TO FOR DATE
BAR LIST NOS.			
MK	REVISION	DATE	
0	FOR APPROVAL	09/06/21	
CUSTOMER		MALLGRAVE RESIDENCE	
JOB		PALM CITY, FL 34990	
LOCATION			
DRAWN	DATE	CONTROL CODE	DWG. NO.
MSK/MET	09/06/2021	-	R01

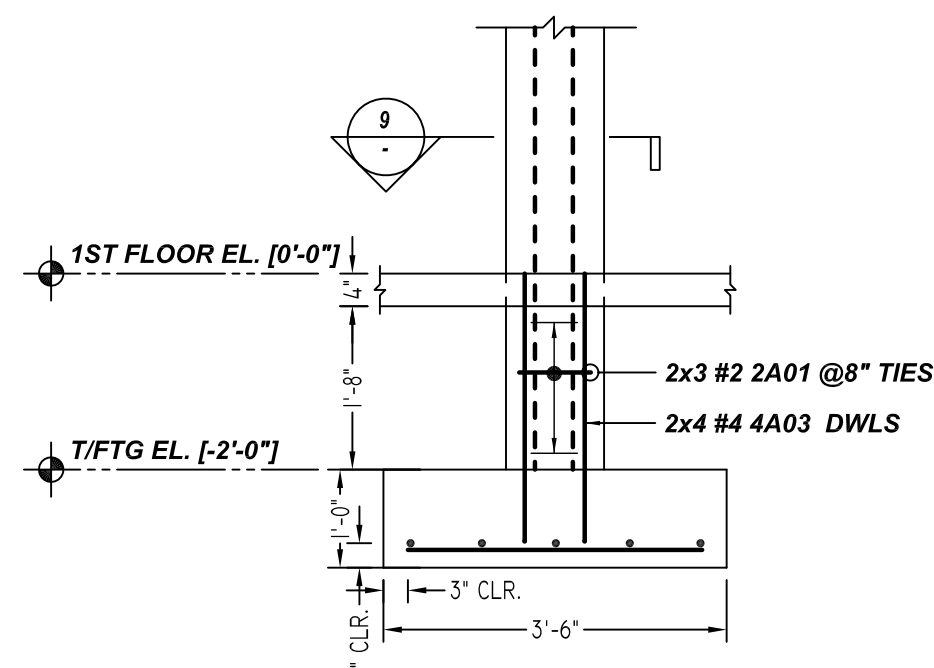
FOUNDATION REINFORCEMENT DETAILS



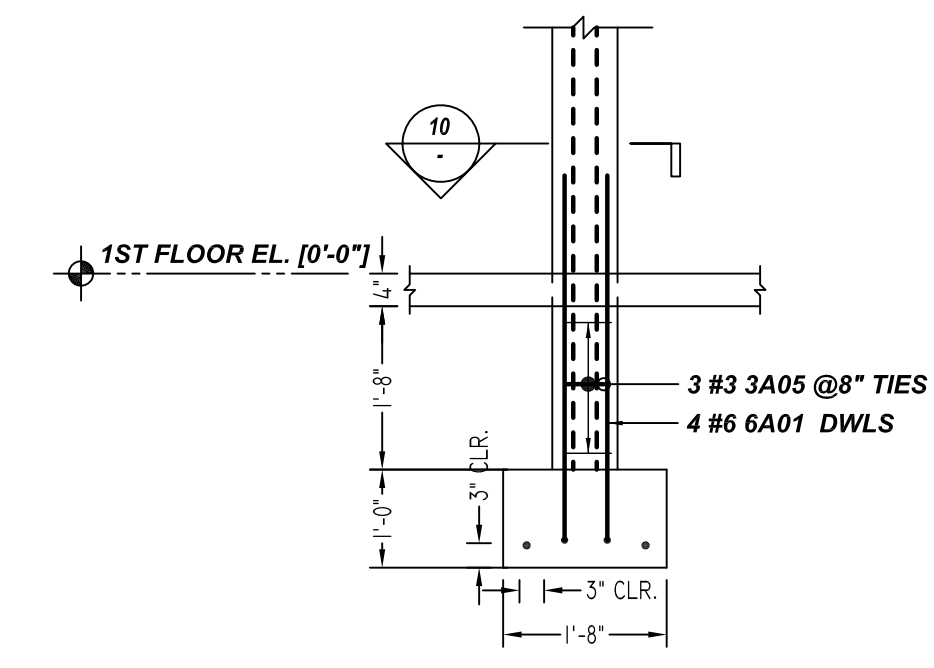
C1-COLUMN 12"x12"
SCALE - 1/2"=1'-0"
REF:S1
@6 LOCATIONS)



C6-COLUMN 8"x30"
SCALE - 1/2"=1'-0"
REF:S1
@2 LOCATIONS)

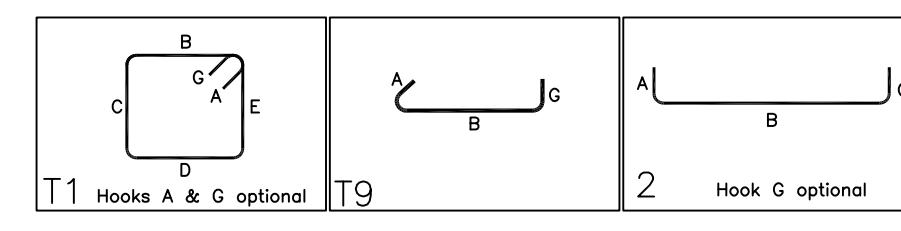


C8-COLUMN 12"x12"
SCALE - 1/2"=1'-0"
REF:S1
@2 LOCATIONS)



C9-COLUMN 8"x14"
SCALE - 1/2"=1'-0"
REF:S1

Release Number: R02				BENDING DETAILS											
Bar Mark	Qty	Size	Total Length	Type	X	Y	Z	Y'	Z'	Y''	Z''	Y'''	Z'''	Y''''	Z''''
2A01	6	#2	3'-8"	11	0'-4"	0'-8"	0'-8"	0'-8"	0'-8"						
3A01	3	#3	4'-8"	11	0'-4"	0'-5"	1'-7"	0'-5"	1'-7"						
3A02	18	#3	3'-8"	11	0'-4"	0'-8"	0'-8"	0'-8"	0'-8"						
3A03	6	#3	6'-0"	11	0'-4"	0'-5"	2'-3"	0'-5"	2'-3"						
3A04	12	#3	1'-3"	19	0'-5"	0'-5"									
3A05	3	#3	3'-4"	11	0'-4"	0'-5"	0'-11"	0'-5"	0'-11"						
3A06	12	#3	5'-0"	11	0'-4"	0'-5"	1'-1"	0'-5"	1'-1"						
3A07	24	#3	1'-11"	19	0'-5"	1'-1"									
4A03	6	#4	3'-7"	2	0'-10"	2'-8"									
5A12	12	#5	7'-1"	2	0'-10"	6'-3"									
5A13	177	#5	6'-1"	2	0'-10"	5'-3"									
5A14	110	#5	3'-5"	2	0'-10"	2'-7"									
5A15	34	#5	5'-5"	2	0'-10"	4'-7"									
6A01	50	#6	4'-7"	2	0'-10"	3'-8"									
8A01	16	#8	6'-10"	2	0'-10"	6'-0"									



FOR FOUNDATION & COLUMN

SIZE	3000 PSI	
	TOP	OTHERS
#3	21"	16"
#4	28"	22"
#5	35"	27"
#6	46"	35"
#7	63"	48"
#8	93"	72"

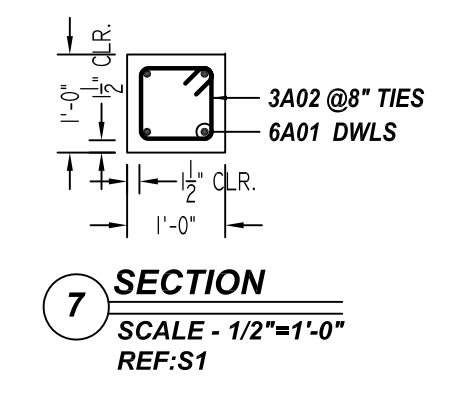
FOR CMU

SIZE	48 @ LAP
#3	18"
#4	24"
#5	30"
#6	36"
#7	42"
#8	48"

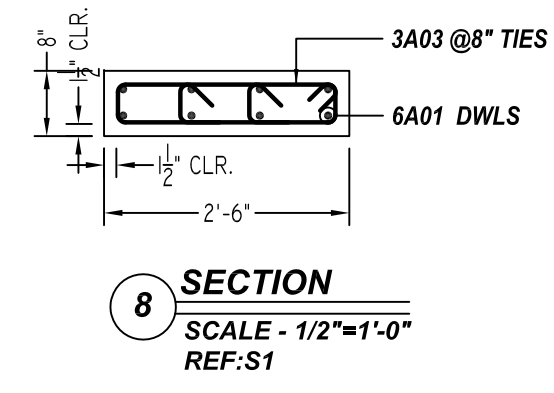
TYPICAL REINFORCING BAR CLEARANCE TABLE

LOCATION	MIN. COVER
FOOTING BOTTOM	3" CLR
SIDE	3" CLR
TIES	1/2" CLR

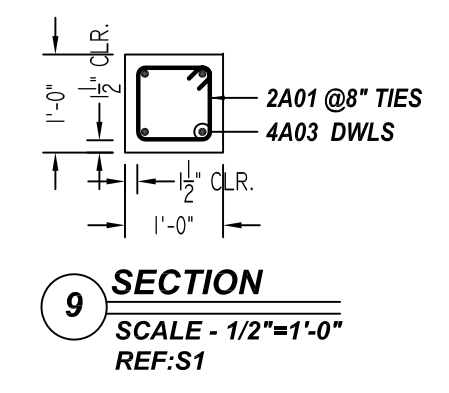
A/E PLEASE VERIFY LAP VALUES



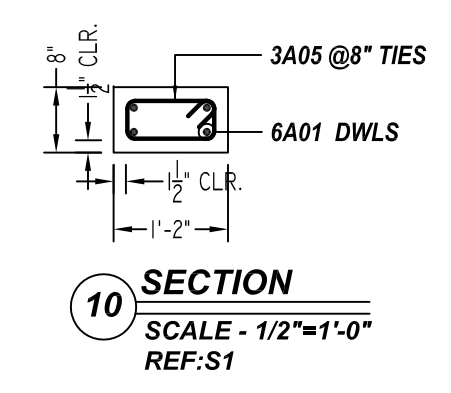
7 SECTION
SCALE - 1/2"=1'-0"
REF:S1



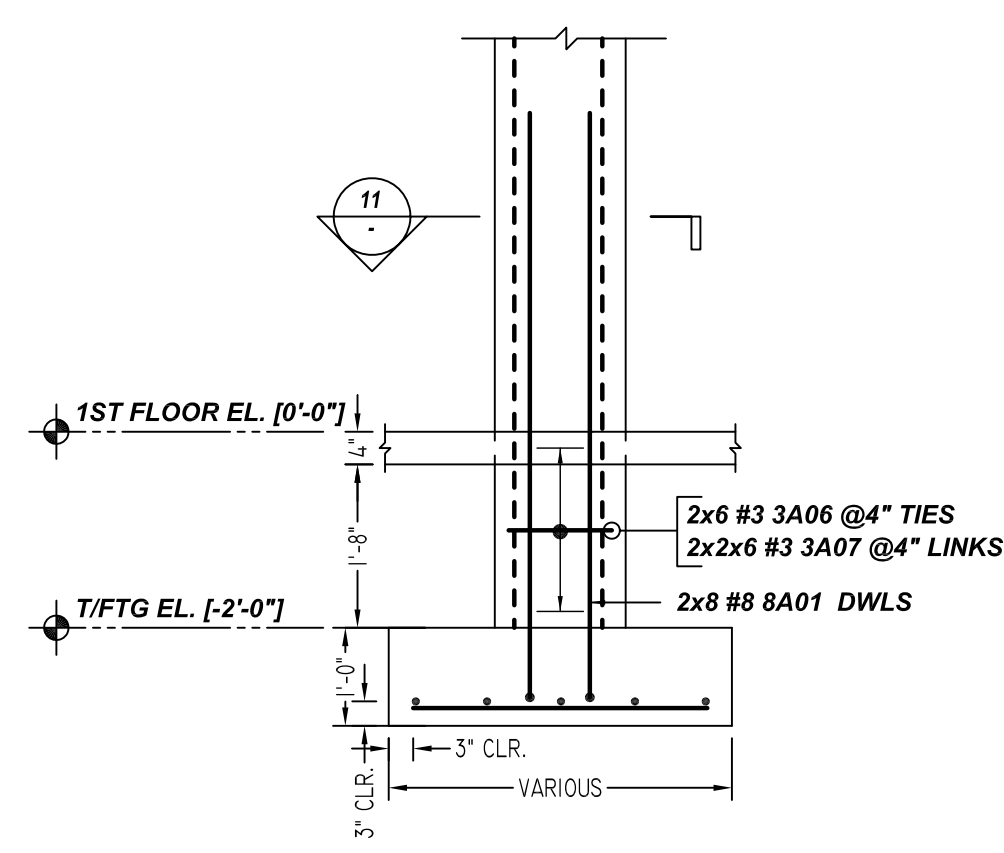
8 SECTION
SCALE - 1/2"=1'-0"
REF:S1



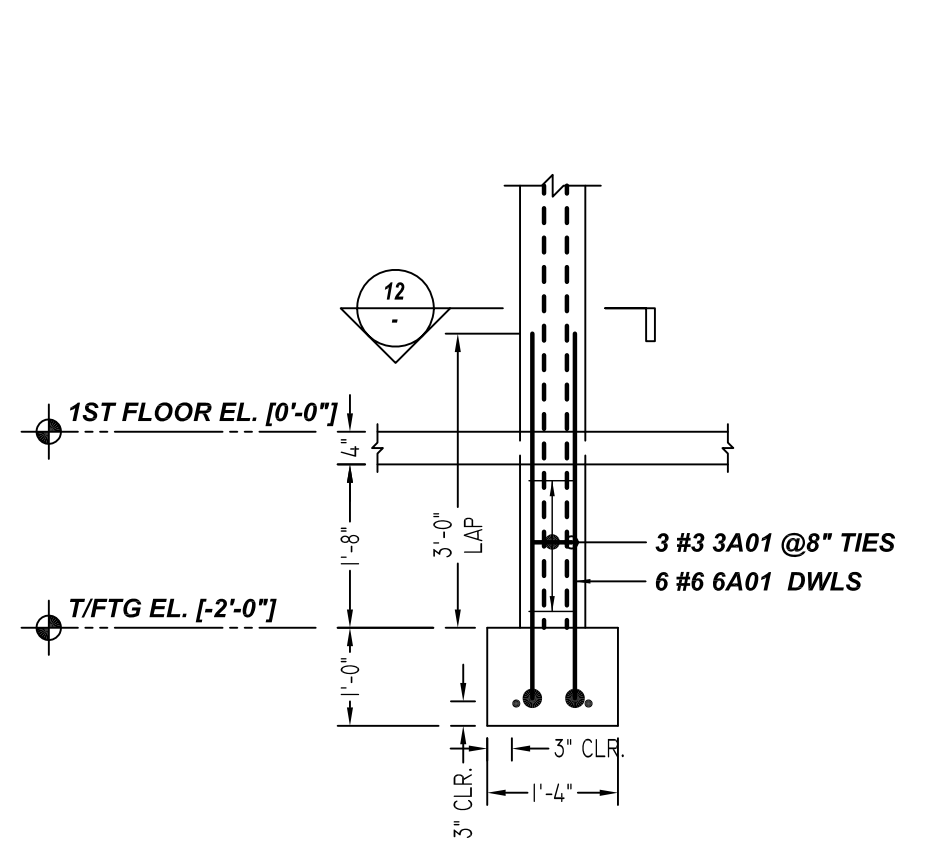
9 SECTION
SCALE - 1/2"=1'-0"
REF:S1



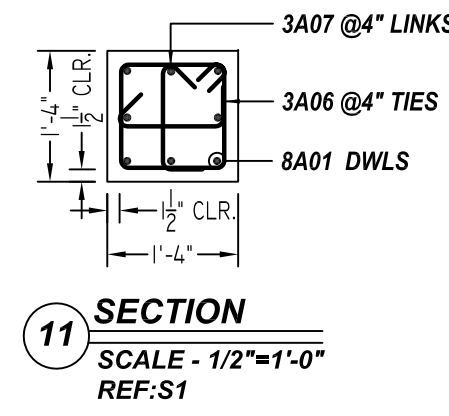
10 SECTION
SCALE - 1/2"=1'-0"
REF:S1



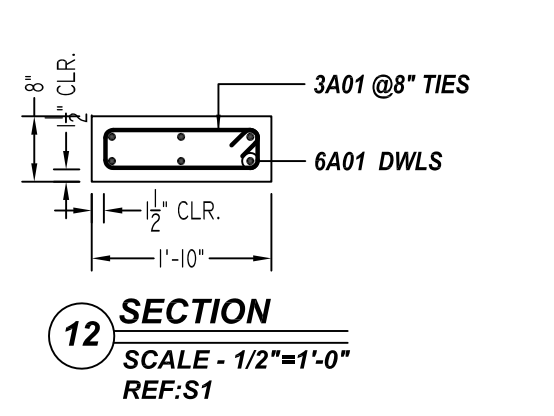
C10-COLUMN 16"x16"
SCALE - 1/2"=1'-0"
REF:S1
@2 LOCATIONS)



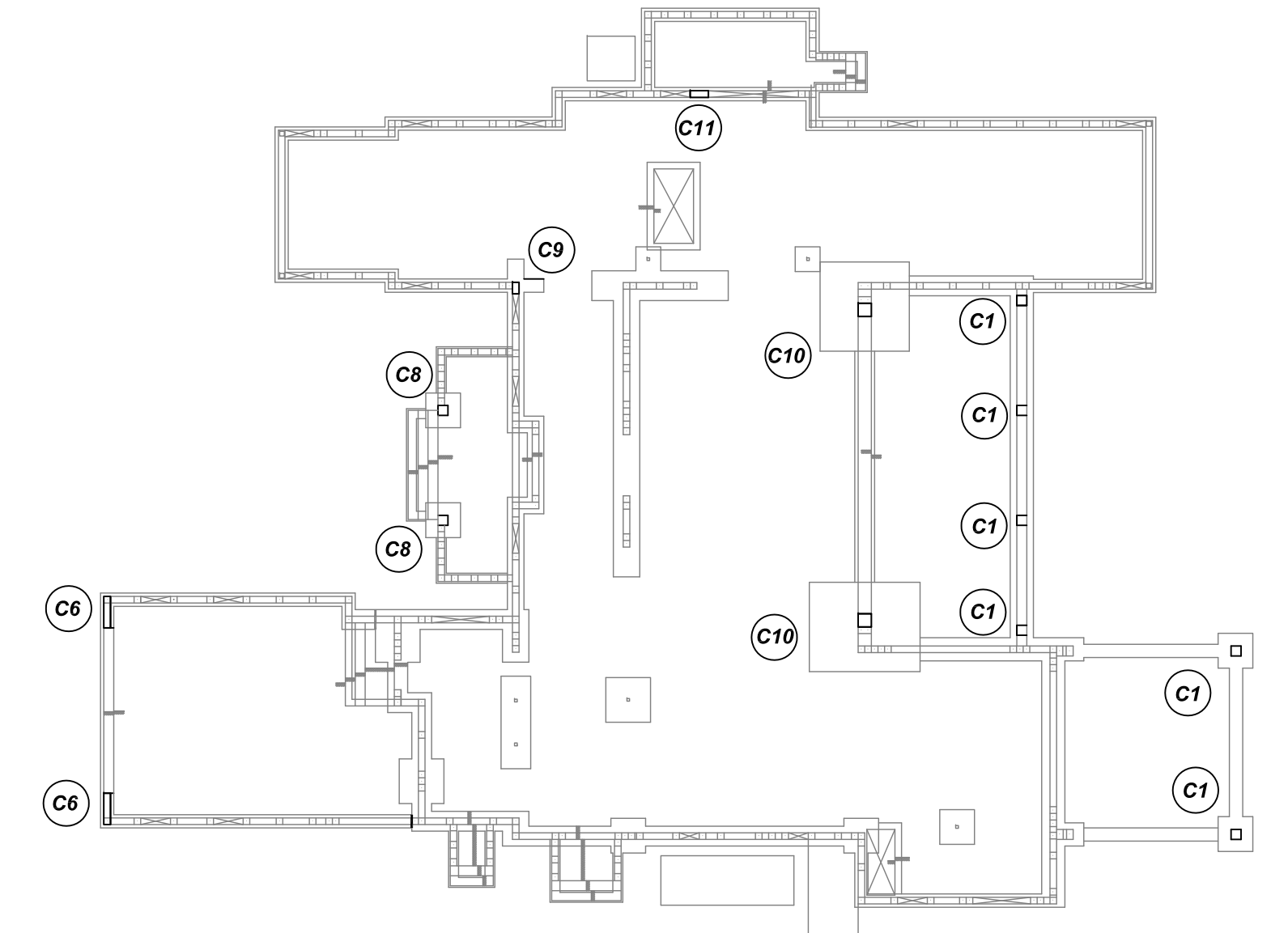
C11-COLUMN 8"x22"
SCALE - 1/2"=1'-0"
REF:S1



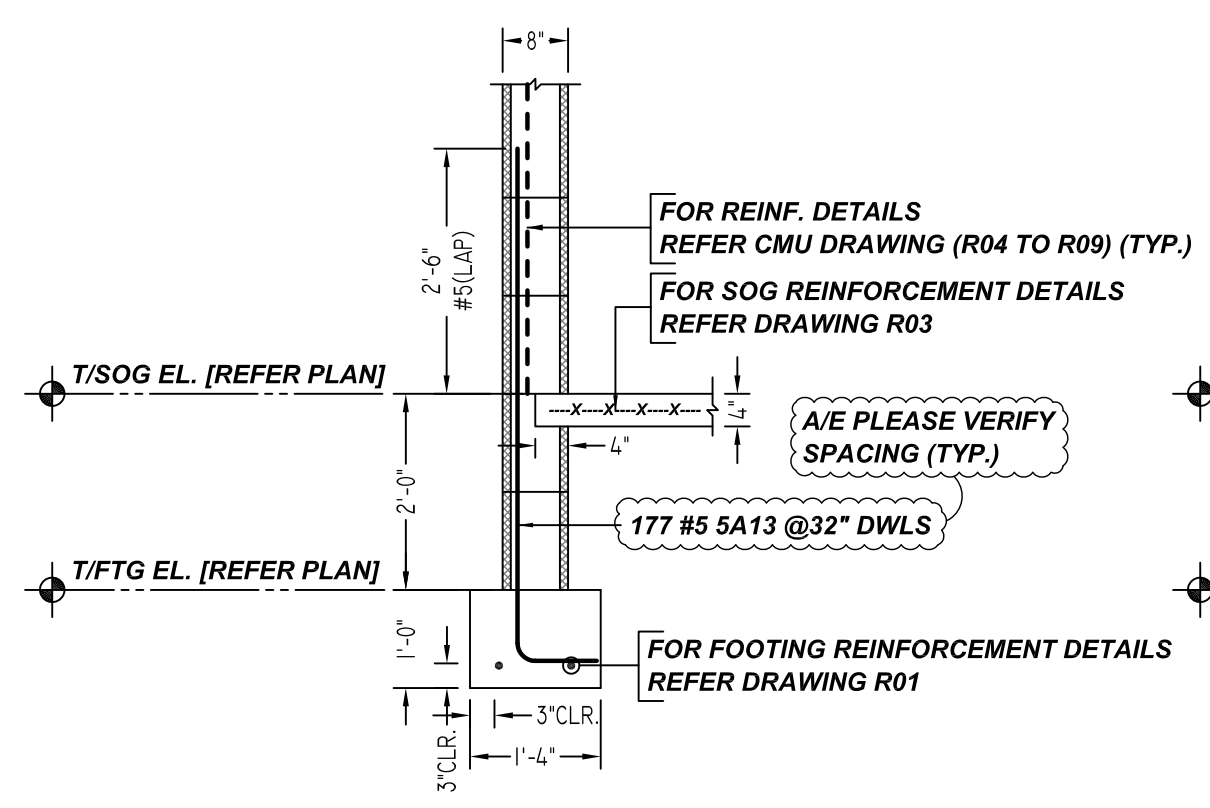
11 SECTION
SCALE - 1/2"=1'-0"
REF:S1



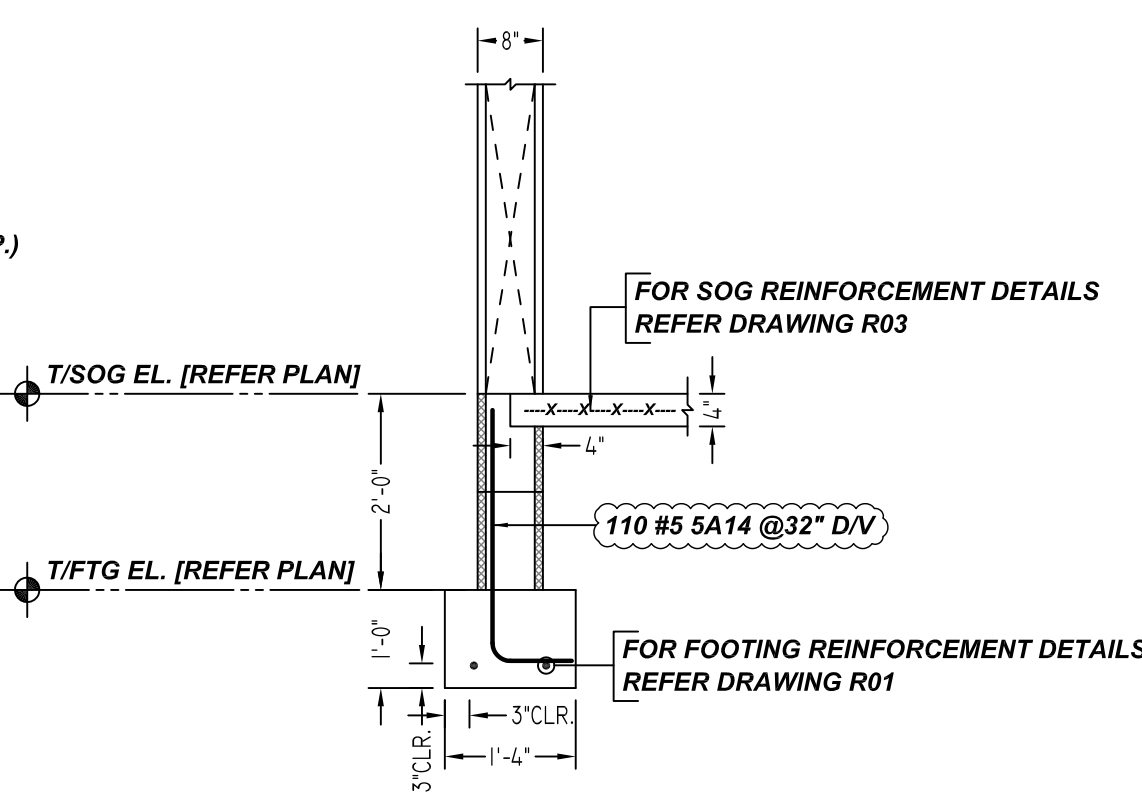
12 SECTION
SCALE - 1/2"=1'-0"
REF:S1



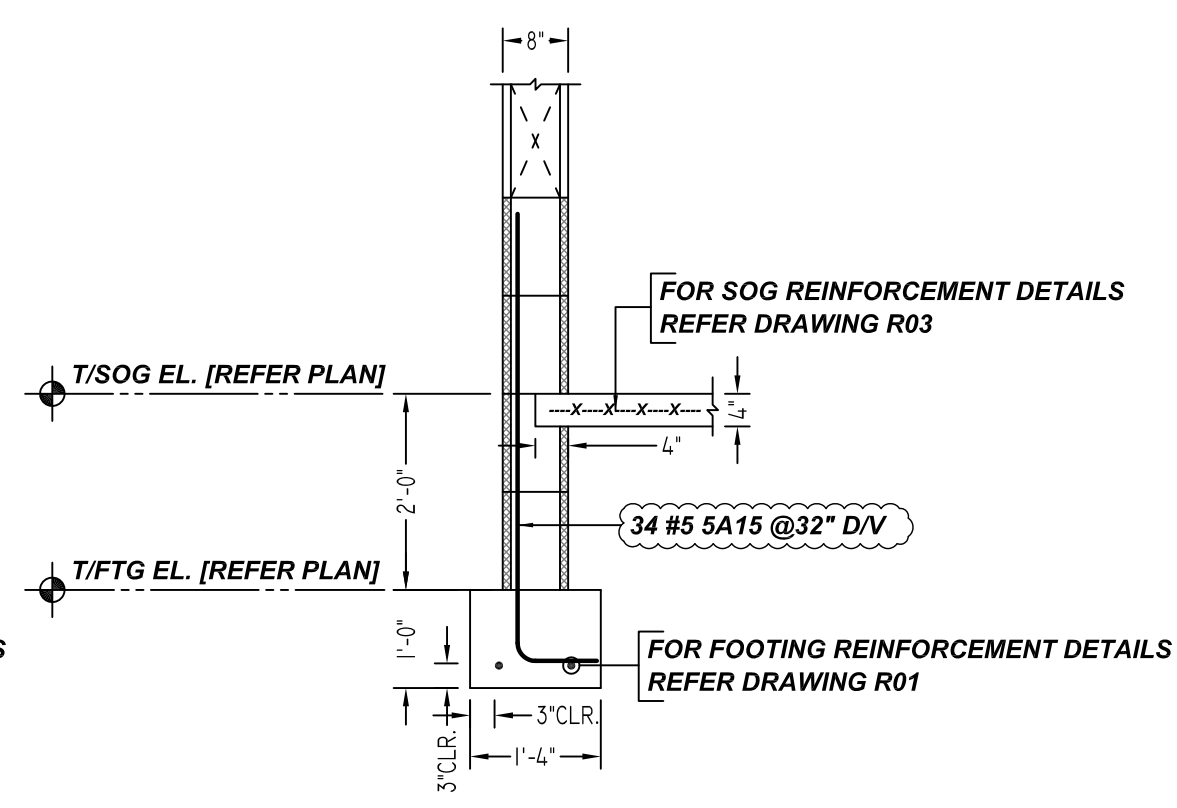
KEY PLAN
SCALE - NTS
REF: S1



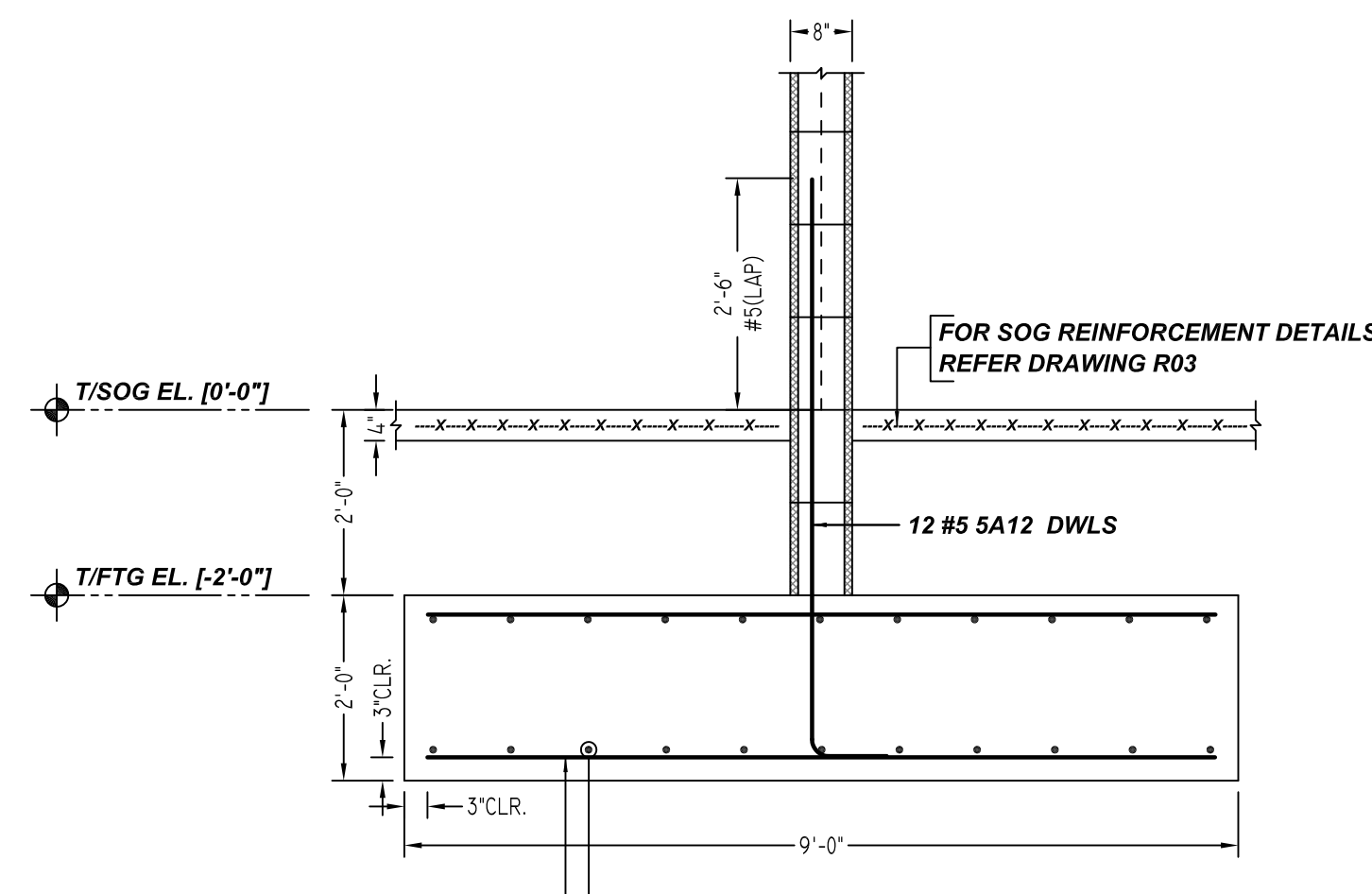
3 SECTION
SCALE - 1/2"=1'-0"
REF:S1



4 SECTION
SCALE - 1/2"=1'-0"
REF:S1



5 SECTION
SCALE - 1/2"=1'-0"
REF:S1



6 SECTION
SCALE - 1/2"=1'-0"
REF:S1

GRADE	60 A615	PRINT RECORD	
PREFIX		NO.	TO FOR DATE
BAR LIST NOS.			
MK	REVISION	DATE	
0	FOR APPROVAL	09/06/21	
CUSTOMER		MALLGRAVE RESIDENCE	
JOB		PALM CITY, FL 34990	
LOCATION			
DRAWN	DATE	CONTROL CODE	DWG. NO.
MSK/MET	09/06/2021	-	R02