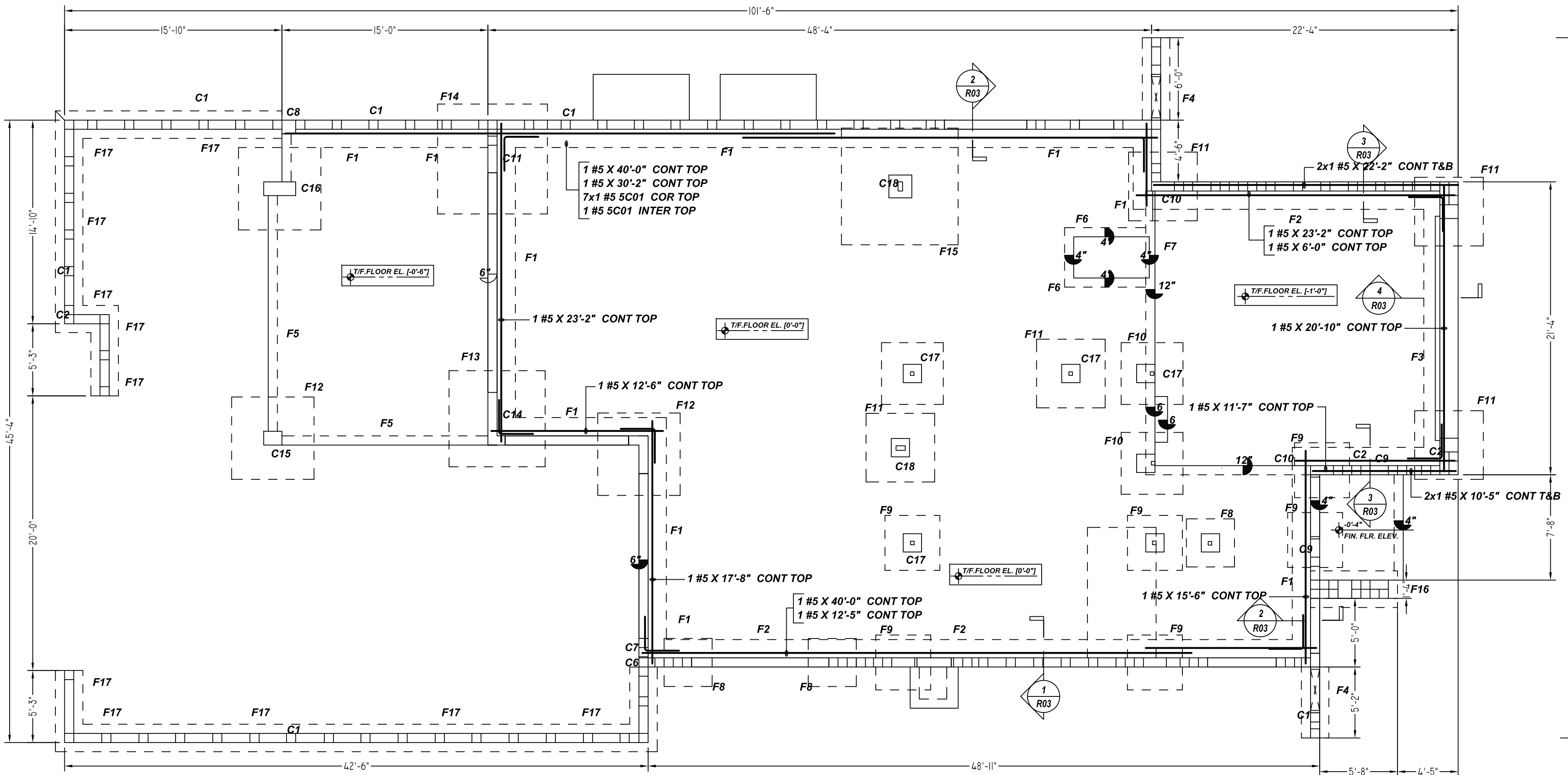
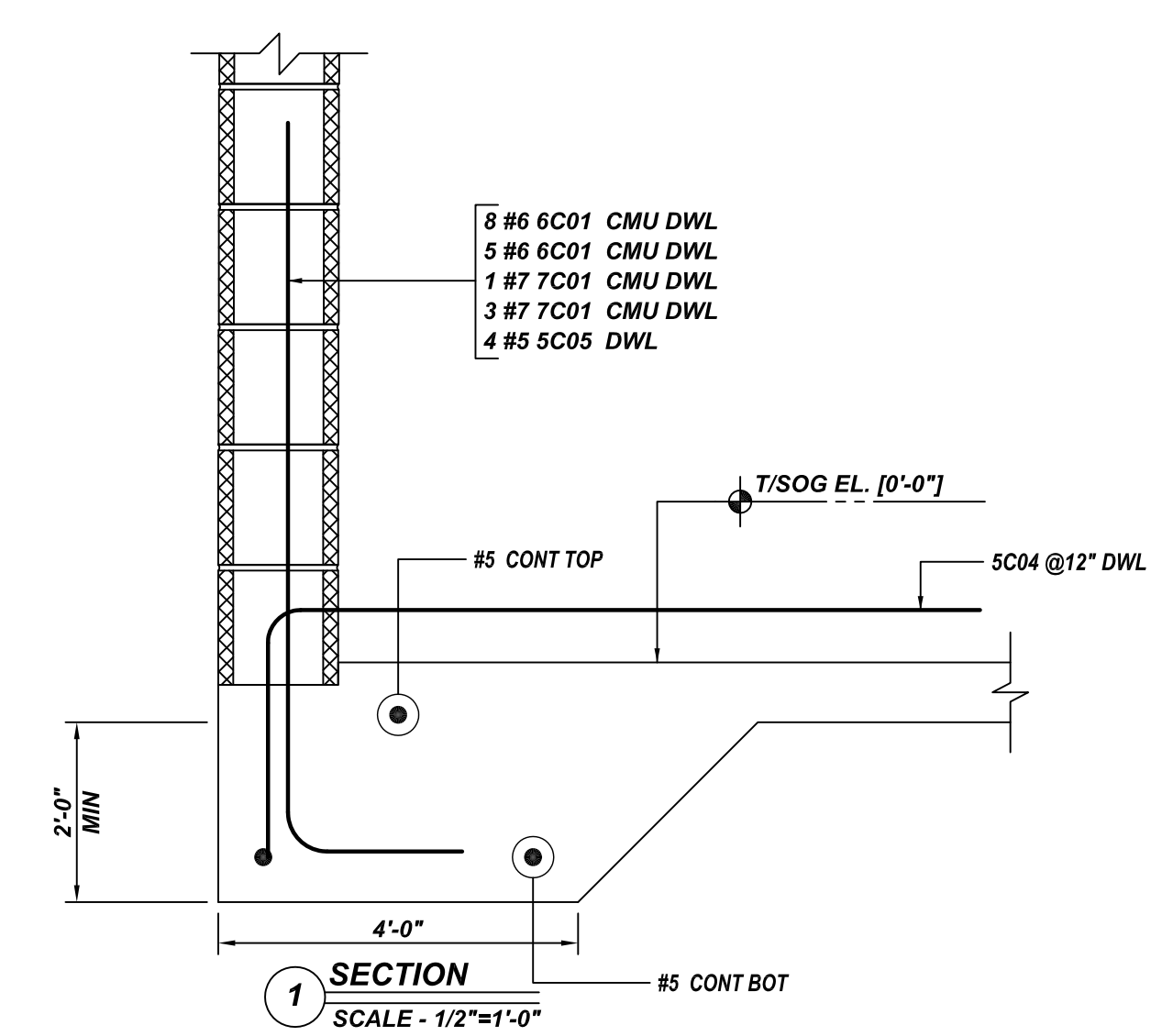


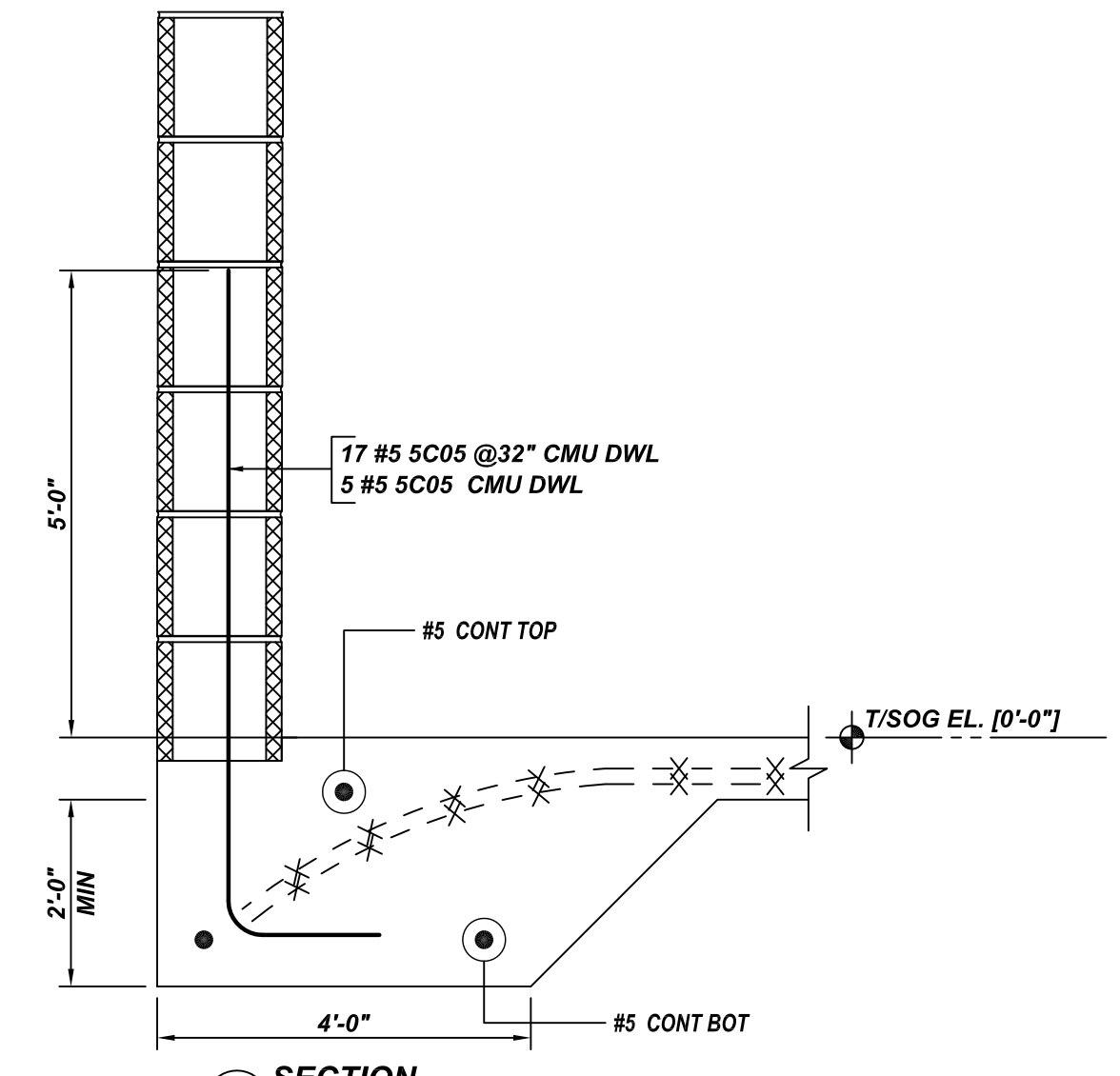
**@ BOTTOM BARS  
FOUNDATION REINFORCEMENT DETAILS**  
SCALE - 1/16"=1'-0"  
REF: S-1, A-1.1 & A-5



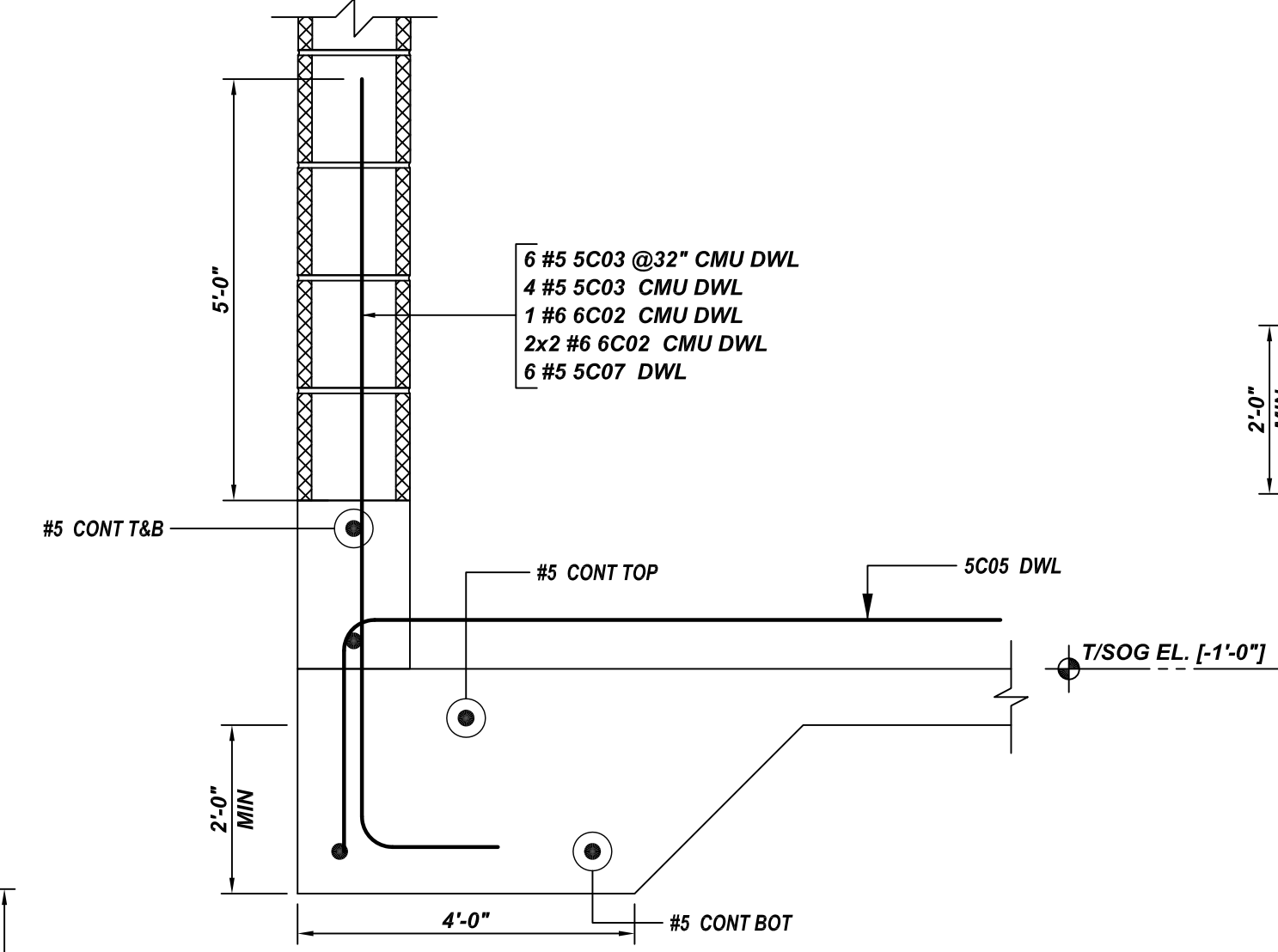
**@ TOP BARS  
FOUNDATION REINFORCEMENT DETAILS**  
SCALE - 1/16"=1'-0"  
REF: S-1, A-1.1 & A-5



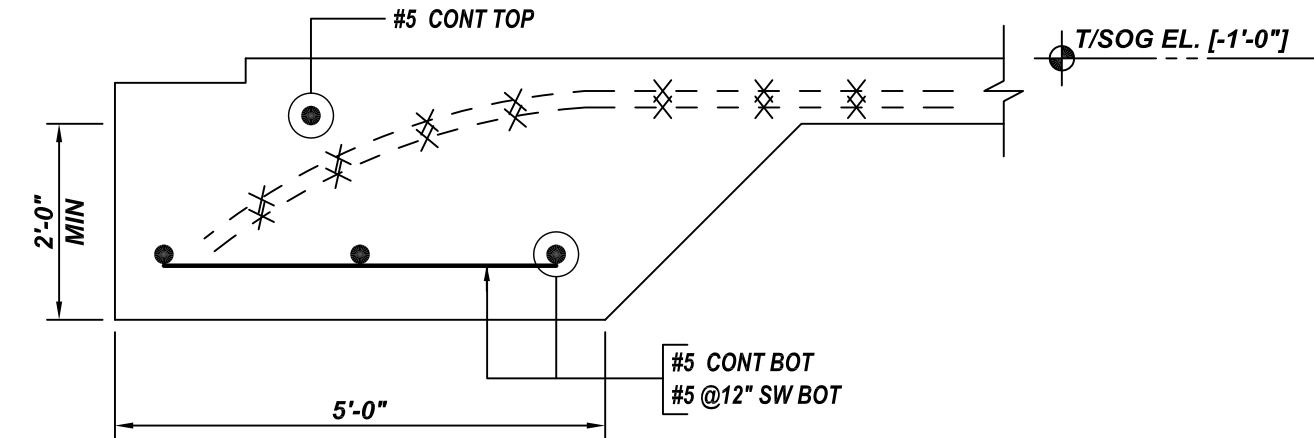
**1 SECTION**  
SCALE - 1/2"=1'-0"  
REF: 1/S-4



**2 SECTION**  
SCALE - 1/2"=1'-0"  
REF: 1/S-4



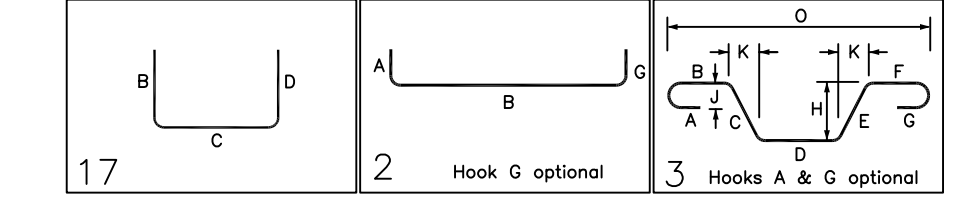
**3 SECTION**  
SCALE - 1/2"=1'-0"  
REF: 2/S-4



**4 SECTION**  
SCALE - 1/2"=1'-0"  
REF: -

Release Number: R03

Bar Mark	Qty	Size	Total Length	Type	X	Y	Z	BENDING DETAILS															
5011	18	#5	5'-0"	17				2'-6"	2'-6"														
5022	1	#5	8'-6"	17				2'-6"	2'-6"														
5033	10	#5	5'-5"	2	0'-10"	4'-7"																	
5035	28	#5	4'-5"	2	0'-10"	3'-7"																	
5036	6	#5	5'-11"	3	1'-11"	2'-1"	1'-11"																
5037	6	#5	6'-11"	2	0'-10"	6'-1"																	
6021	13	#6	5'-1"	2	1'-0"	4'-1"																	
6022	5	#6	6'-1"	2	1'-0"	5'-1"																	
7001	4	#7	5'-9"	2	1'-2"	4'-7"																	

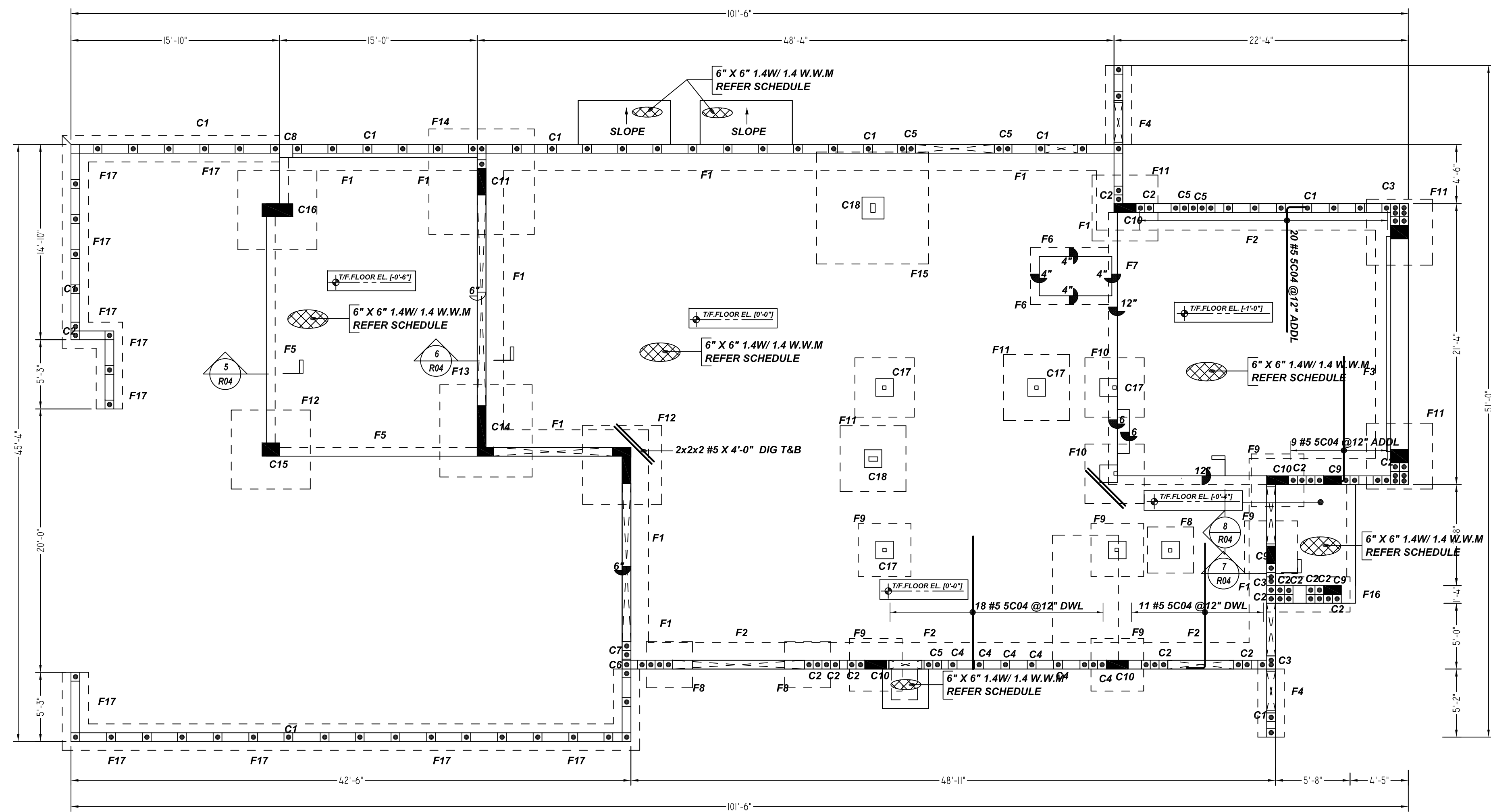


MASONRY DWL LAP		COLUMN DWL LAP	
SIZE	48 Ø LAP	SIZE	36 Ø LAP
#3	18"	#3	14"
#4	24"	#4	18"
#5	30"	#5	23"
#6	36"	#6	27"
#7	42"	#7	32"
#8	48"	#8	36"
#9	55"	#9	41"
#10	61"	#10	46"
#11	68"	#11	51"

TYPICAL REINFORCING BAR CLEARANCE TABLE	
LOCATION	MIN. COVER
FOOTING	3" CLR
SIDE	3" CLR

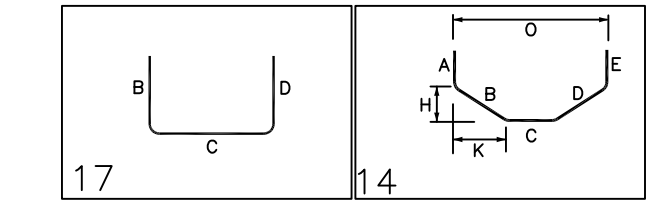
**ALL BARS IN THIS DRAWING  
ASTM A615 GRADE 60  
BLACK UNCOATED**

GRADE	60 A615	PRINT RECORD	
PREFIX		NO.	TO FOR DATE
BAR LIST NOS.			
MK	REVISION	DATE	
0	FOR APPROVAL	07/27/21	
FOUNDATION REINFORCEMENT DETAILS			
CUSTOMER	664 BOCA MARINA COURT		
JOB	BOCA RATON, FLORIDA		
LOCATION			
DRAWN	DATE	CONTROL CODE	DWG. NO.
PRS/MET	07/27/2021	-	R03



**SLAB ON GRADE REINFORCEMENT DETAILS**  
 SCALE - 1/4"=1'-0"  
 REF: S-1, A-1.1 & A-5

Release Number:	BONDING DETAILS											
Bar Mark	Qty	Size	Total Length	Type	X	Y	Z	Y'	Y''	Y'''	Y''''	Y'''''
SC01	8	#5	5'-0"	17								
SC04	38	#5	10'-5"	14	0'-8"	0'-3"	9'-5"				0'-3"	10'-1"



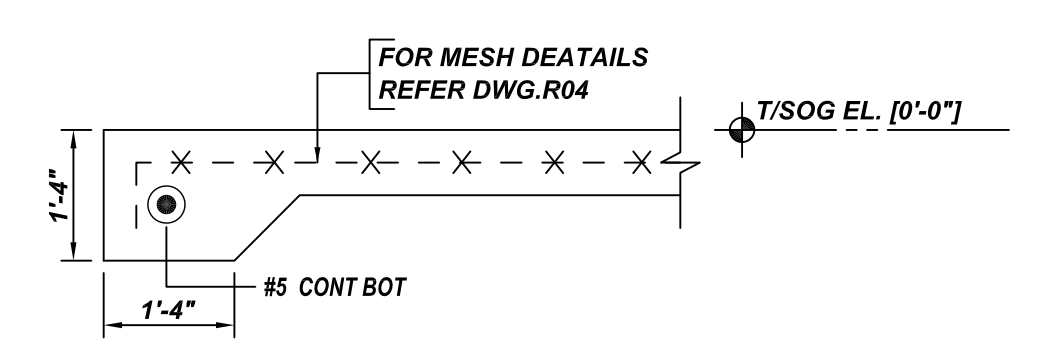
MESH DETAILS					
S. NO	ELEMENT	MESH SIZE	SHEETS	AREA	REMARK
1	4" THK SLAB ON GRADE	6x6 - W1.4XW1.4 WWM	32	4400 SQFT	8'-0" X 20'-0" SHEET SIZE (15% LAP ADDED)
2	6" THK SLAB ON GRADE	6x6 - W1.4XW1.4 WWM	1	70 SQFT	8'-0" X 20'-0" SHEET SIZE (15% LAP ADDED)

MASONRY DWL LAP	
LAP SCHEDULE	SIZE
#3	18"
#4	24"
#5	30"
#6	36"
#7	42"
#8	48"
#9	55"
#10	61"
#11	68"

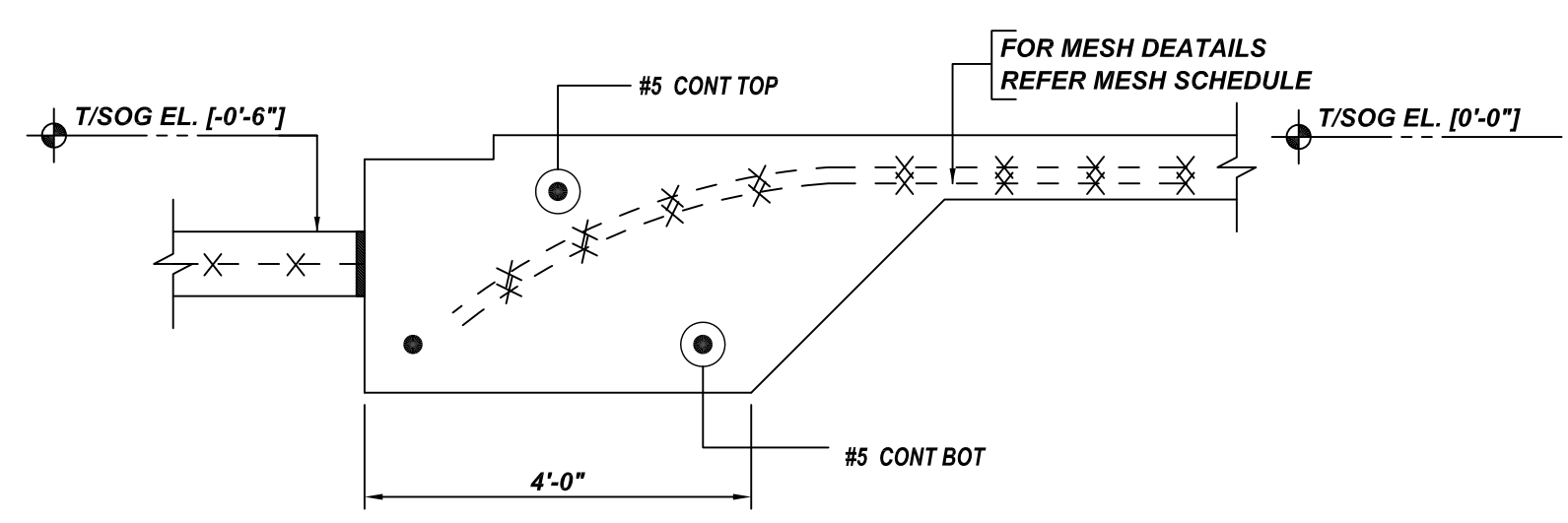
COLUMN DWL LAP	
LAP SCHEDULE	SIZE
#3	14"
#4	18"
#5	23"
#6	27"
#7	32"
#8	36"
#9	41"
#10	46"
#11	51"

TYPICAL REINFORCING BAR CLEARANCE TABLE	
LOCATION	MIN. COVER
SLAB (SIDE)	2" CLR

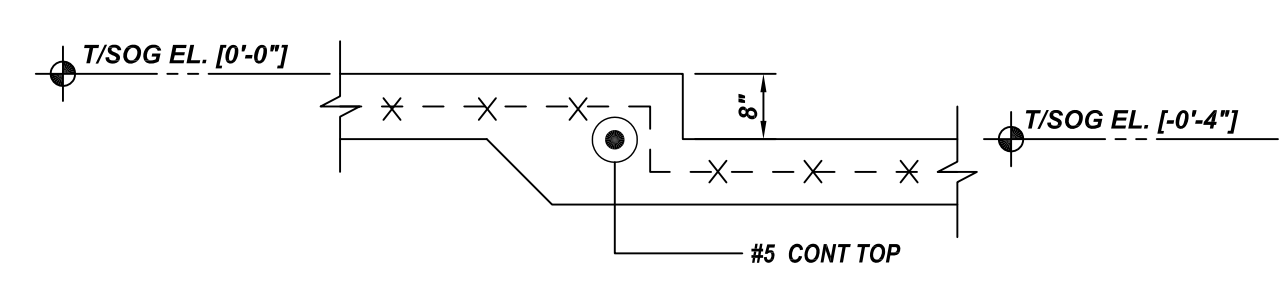
**ALL BARS IN THIS DRAWING  
 ASTM A615 GRADE 60  
 BLACK UNCOATED**



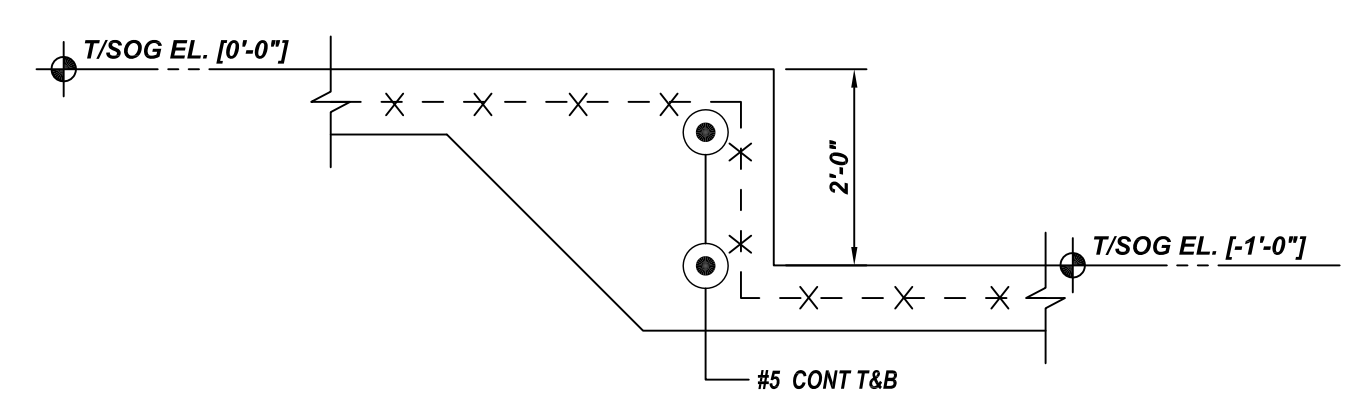
**SECTION 5**  
 SCALE - 1/2"=1'-0"  
 REF: 2/S-1



**SECTION 6**  
 SCALE - 1/2"=1'-0"  
 REF: 1/S-4



**SECTION 7**  
 SCALE - 1/2"=1'-0"  
 REF: 3/S-1



**SECTION 8**  
 SCALE - 1/2"=1'-0"  
 REF: 4/S-1

GRADE	60 A615	PRINT RECORD	
PREFIX		NO.	TO FOR DATE
BAR LIST NOS.			
MK	REVISION	DATE	
0	FOR APPROVAL	07/27/21	
SLAB ON GRADE REINFORCEMENT DETAILS			
CUSTOMER	664 BOCA MARINA COURT		
LOCATION	BOCA RATON, FLORIDA		
DRAWN	DATE	CONTROL CODE	DWG. NO.
PRS/MET	07/27/2021	-	R04