

FOR CMU WALL

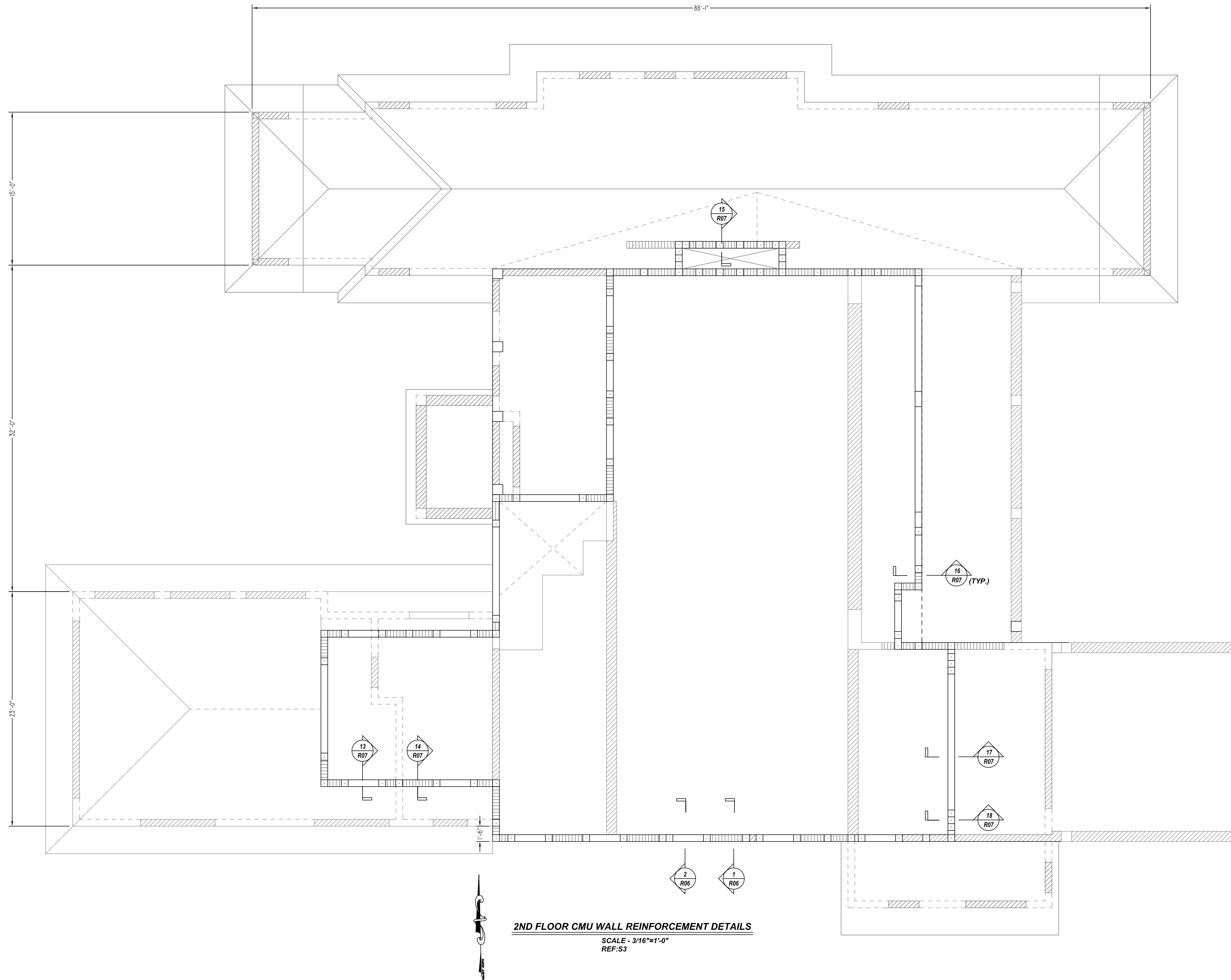
LAP SCHEDULE	
SIZE	LAP
#3	22"
#4	29"
#5	36"
#6	43"
#7	63"

TYPICAL REINFORCING BAR CLEARANCE TABLE	
LOCATION	MIN. COVER
WALL	2" CLR

**ALL BARS IN THIS DRAWING
ASTM A615 GRADE 60
BLACK UNCOATED**

GROUND FLOOR CMU WALL REINFORCEMENT DETAILS
SCALE - 3/16"=1'-0"
REF: S1

GRADE	60 A615		
PREFIX			
BAR LIST NOS.			
	PRINT RECORD		
	NO.	TO	FOR DATE
MK	REVISION	DATE	
0	FOR APPROVAL	09/06/21	
CUSTOMER -			
JOB - MALLGRAVE RESIDENCE			
LOCATION - PALM CITY, FL 34990			
DRAWN	DATE	CONTROL CODE	DWG. NO.
SRN/MET	09/06/2021	-	R04



FOR CMU WALL

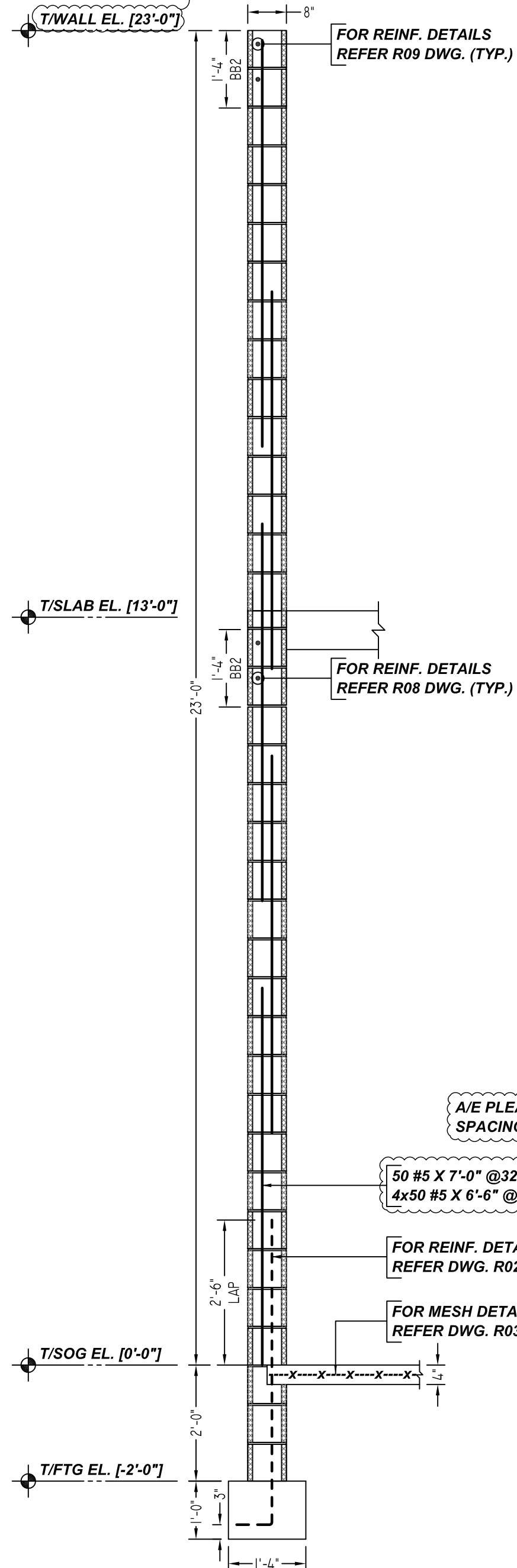
LAP SCHEDULE	
SIZE	LAP
#3	22"
#4	29"
#5	36"
#6	43"
#7	63"

TYPICAL REINFORCING BAR CLEARANCE TABLE	
LOCATION	MIN. COVER
SLAB EDGE	2" CLR

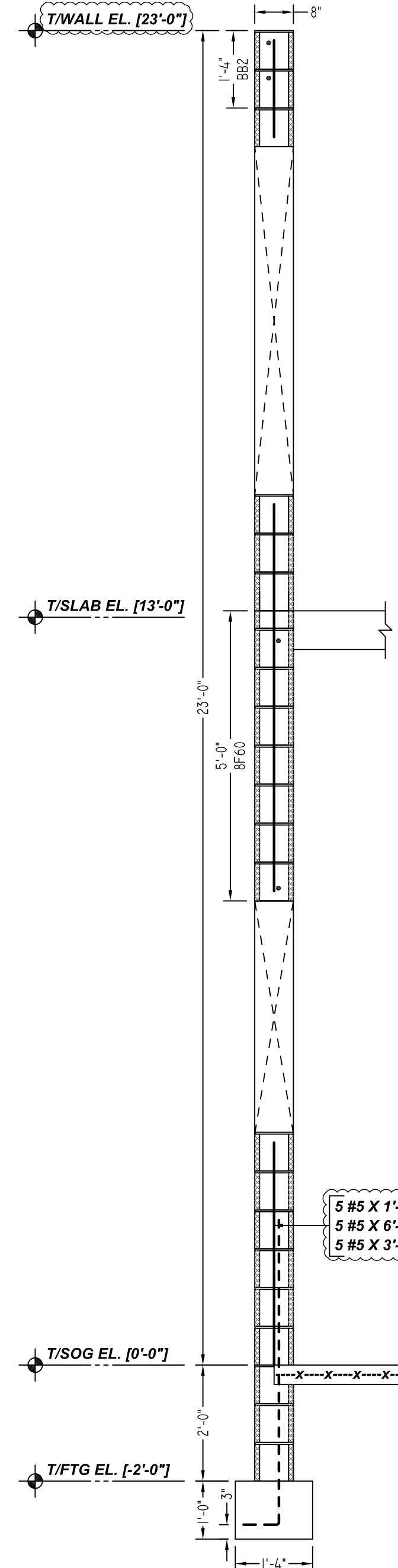
**ALL BARS IN THIS DRAWING
ASTM A615 GRADE 60
BLACK UNCOATED**

GRADE	60 A615		
PREFIX			
BAR LIST NOS.			
	PRINT RECORD		
	NO.	TO	FOR DATE
MK	REVISION	DATE	
0	FOR APPROVAL	09/06/21	
2ND FLOOR CMU WALL REINFORCEMENT DETAILS			
CUSTOMER -			
JOB MALLGRAVE RESIDENCE			
LOCATION PALM CITY, FL 34990			
DRAWN	DATE	CONTROL CODE	DWG. NO.
SRN/MET	09/06/2021	-	R05

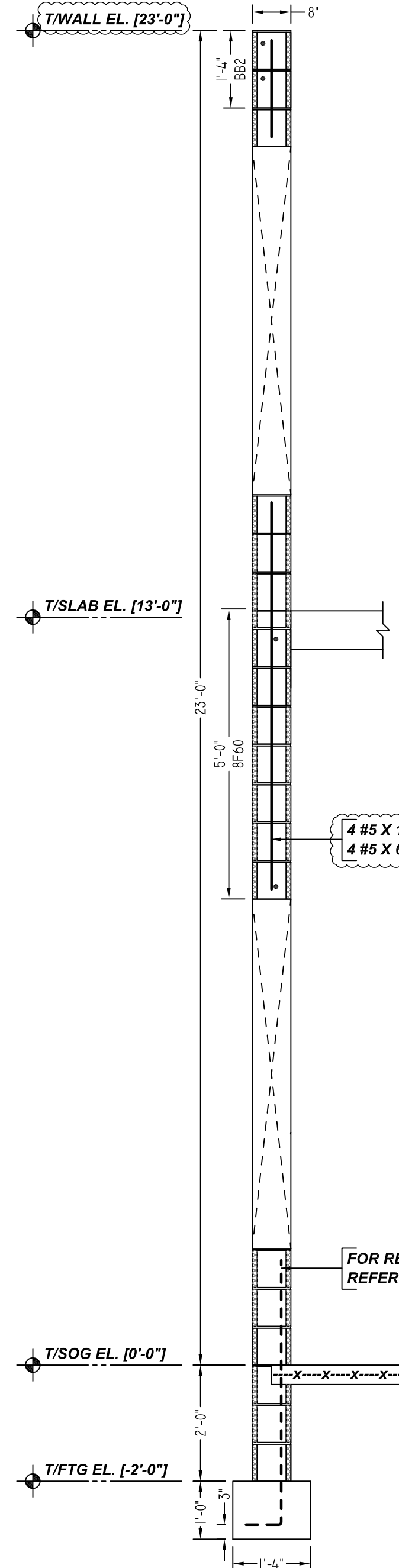
A/E PLEASE VERIFY ELEVATION (TYP.)



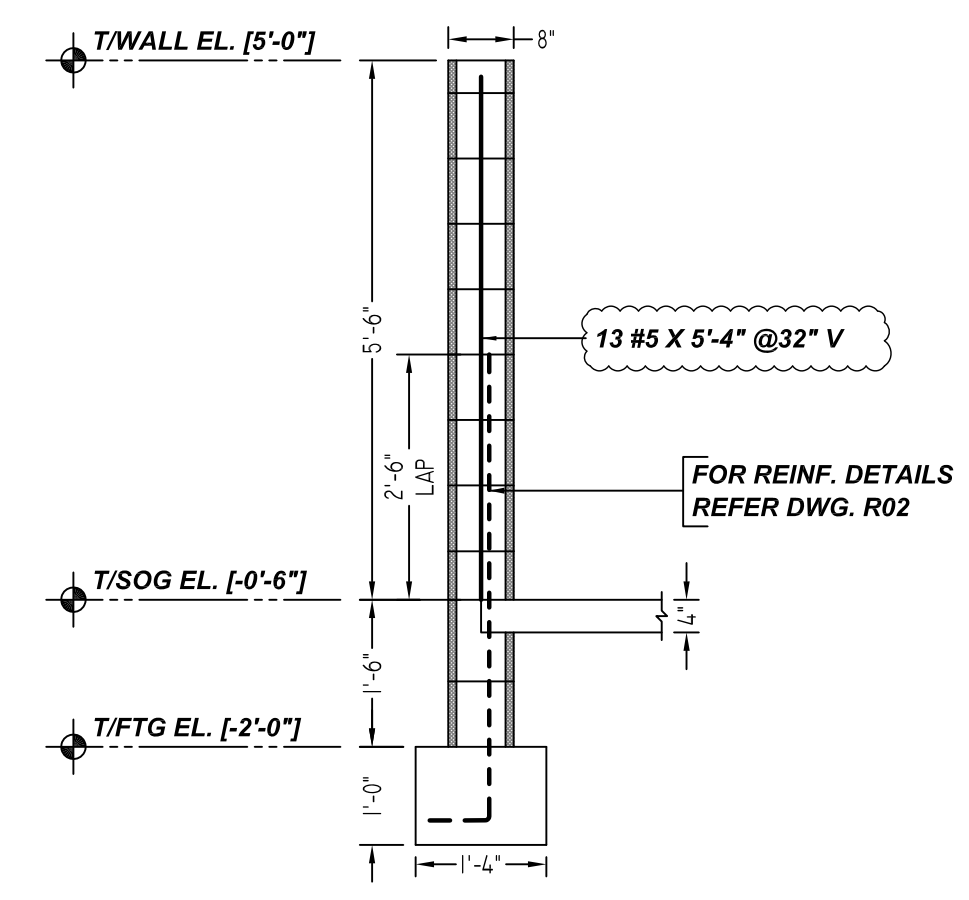
1 SECTION
SCALE - 1/2"=1'-0"
REF:S1 TO S5



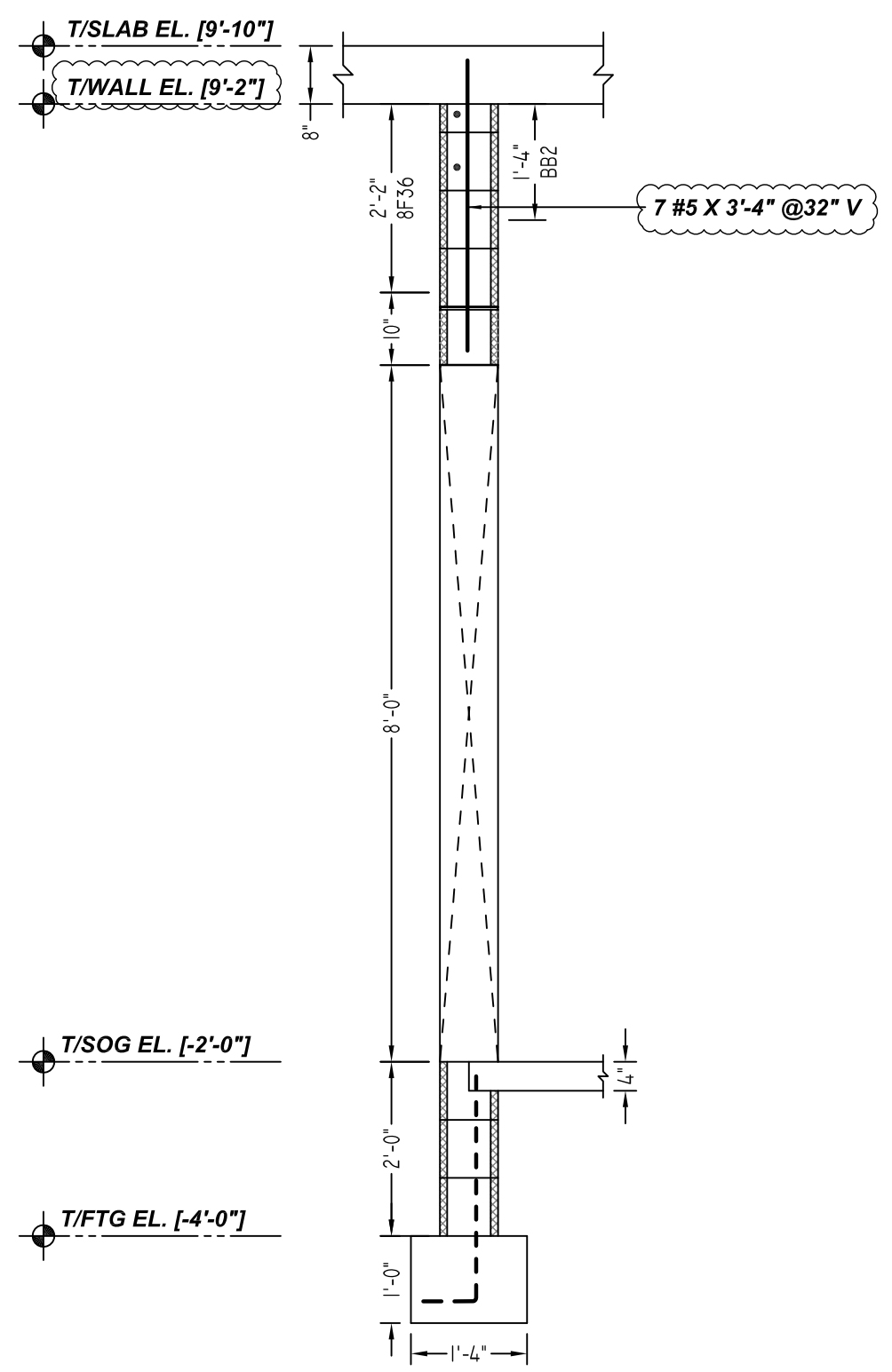
2 SECTION
SCALE - 1/2"=1'-0"
REF:S1 TO S5



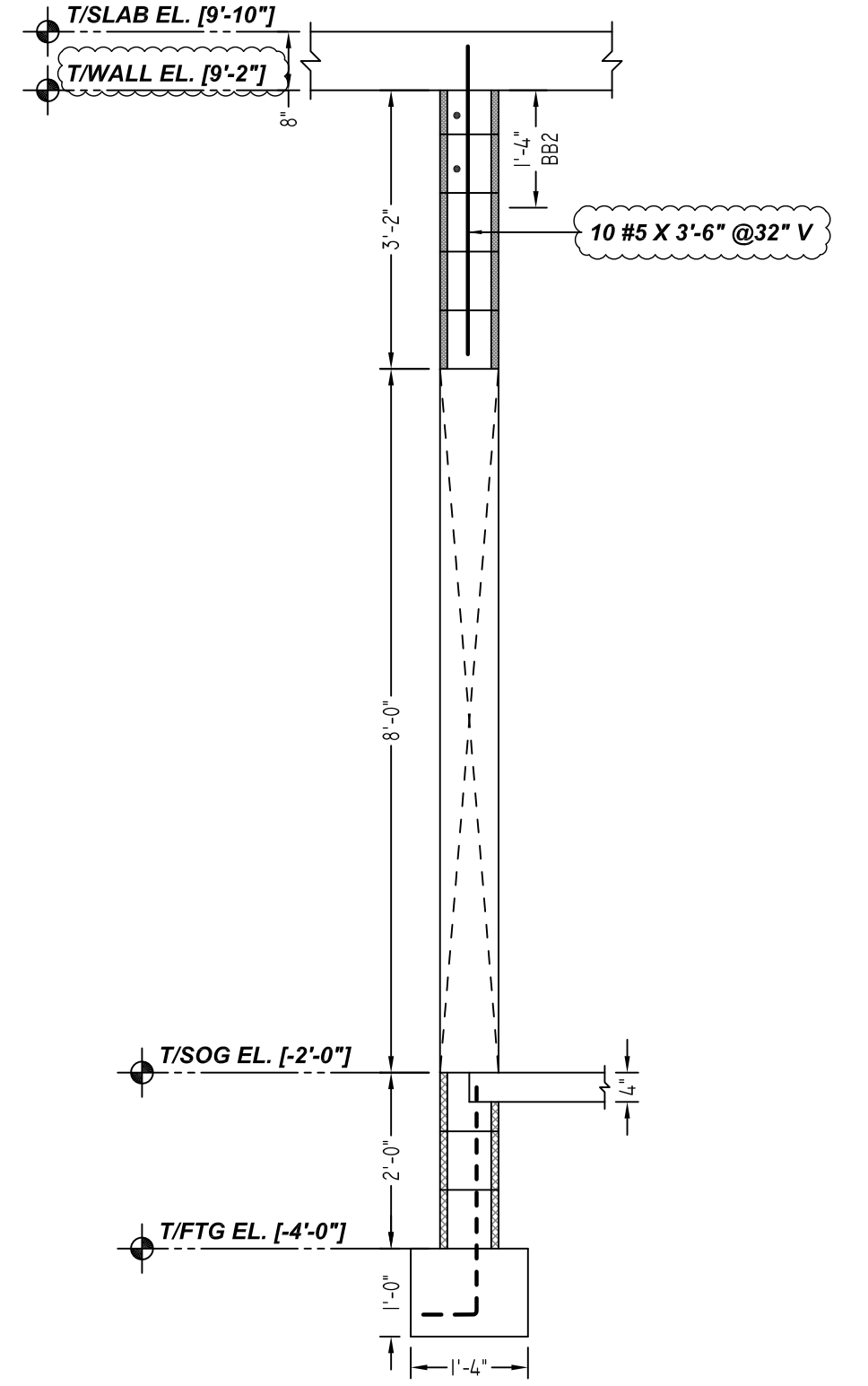
3 SECTION
SCALE - 1/2"=1'-0"
REF:S1 TO S5



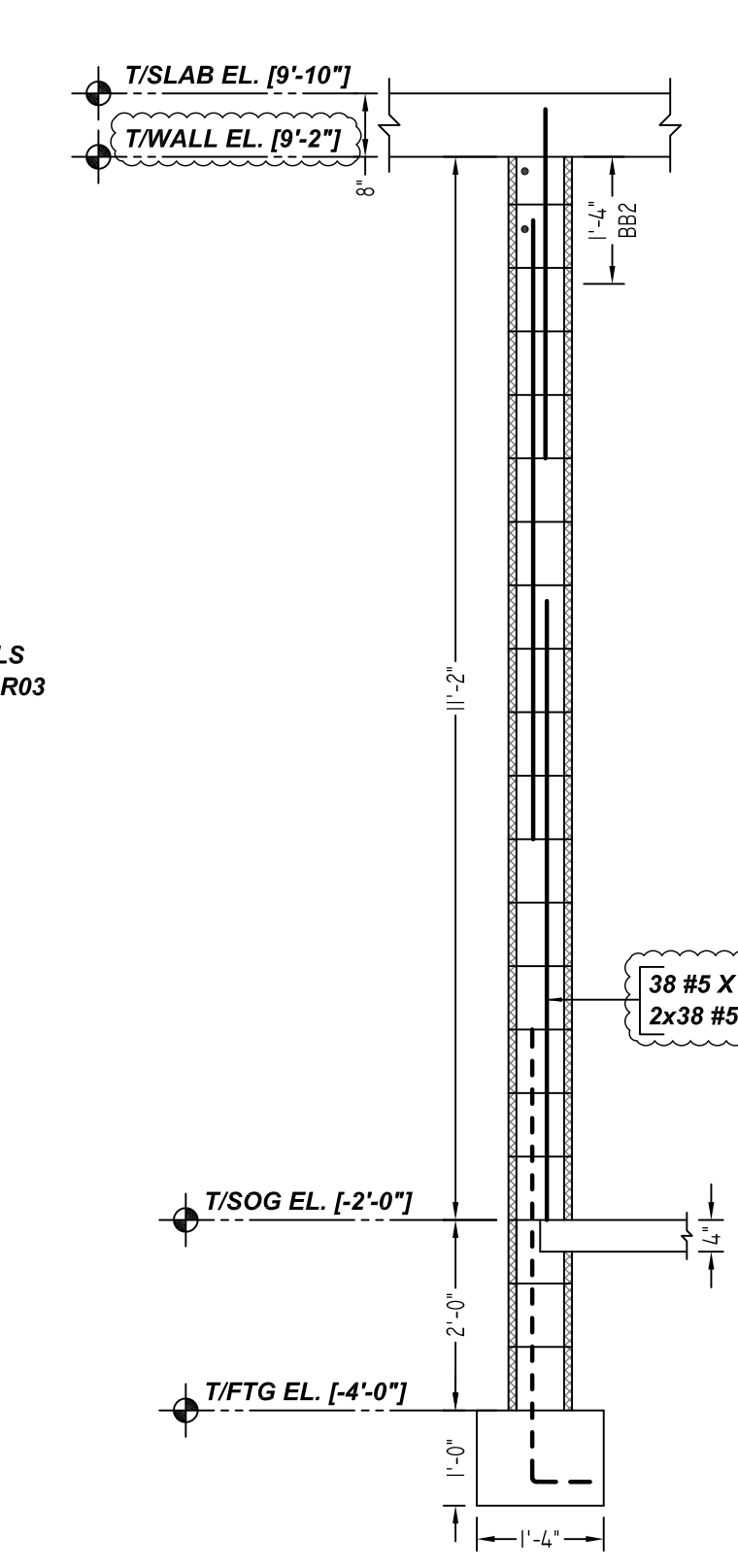
4 SECTION
SCALE - 1/2"=1'-0"
REF:S1 TO S5



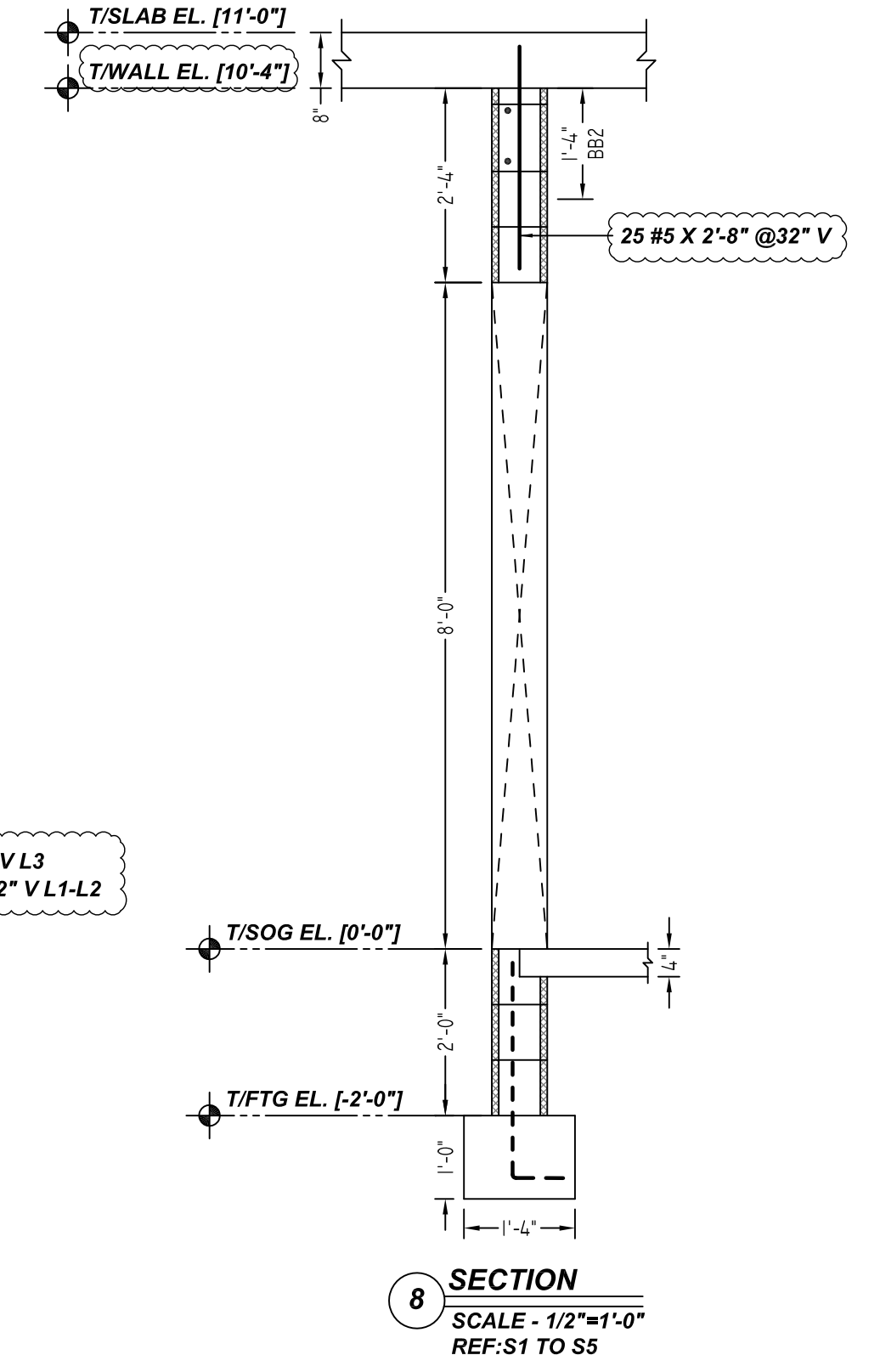
5 SECTION
SCALE - 1/2"=1'-0"
REF:S1 TO S5



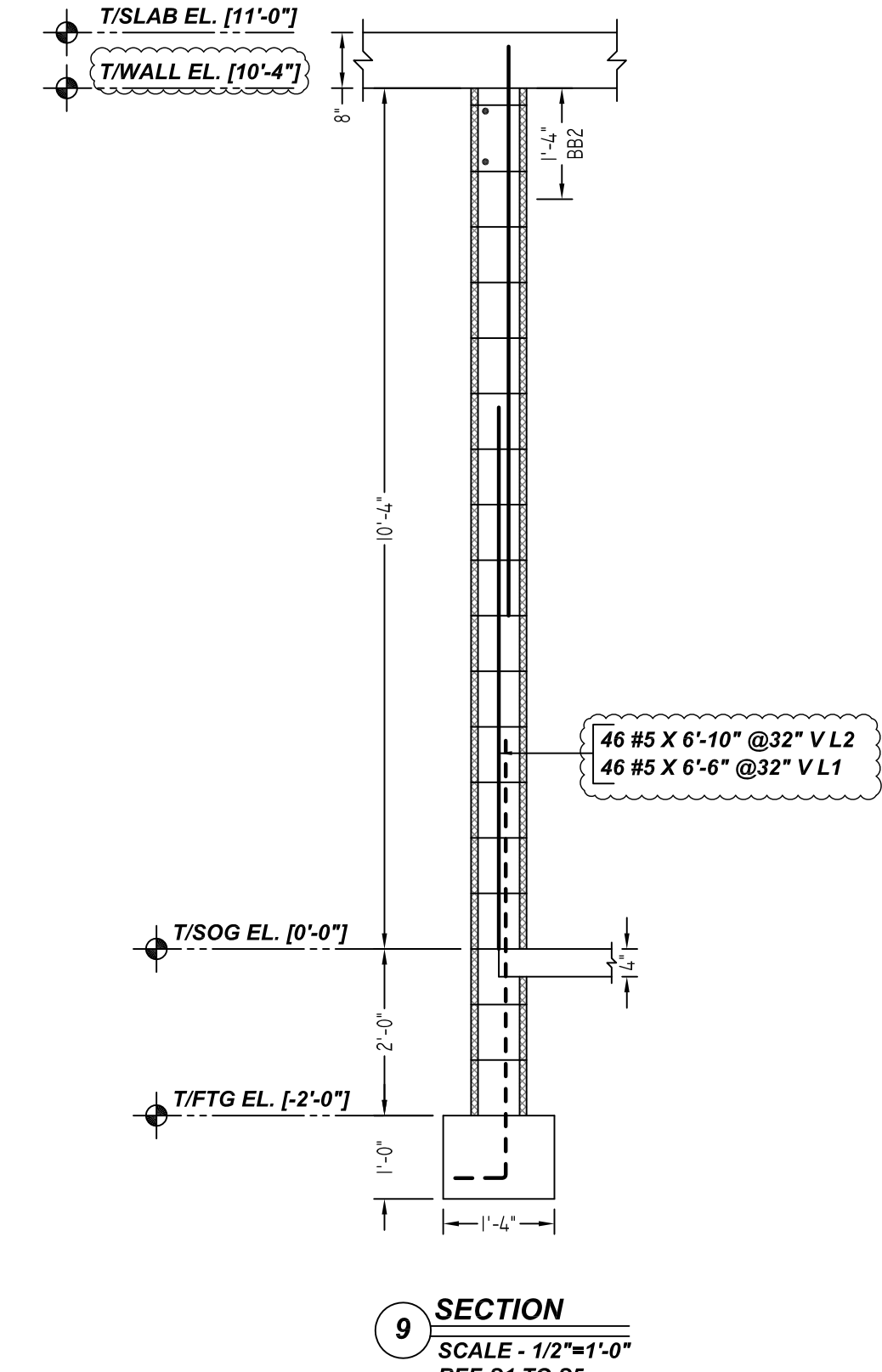
6 SECTION
SCALE - 1/2"=1'-0"
REF:S1 TO S5



7 SECTION
SCALE - 1/2"=1'-0"
REF:S1 TO S5

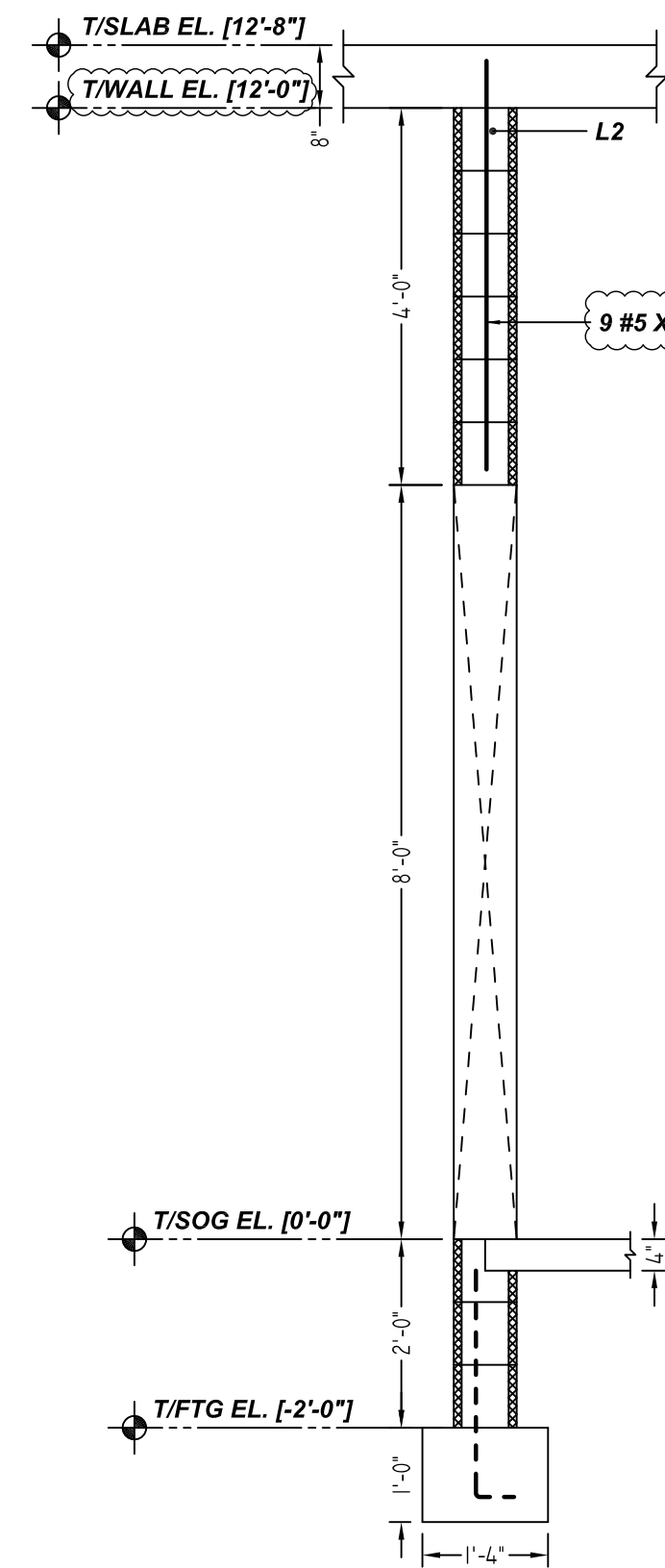


8 SECTION
SCALE - 1/2"=1'-0"
REF:S1 TO S5

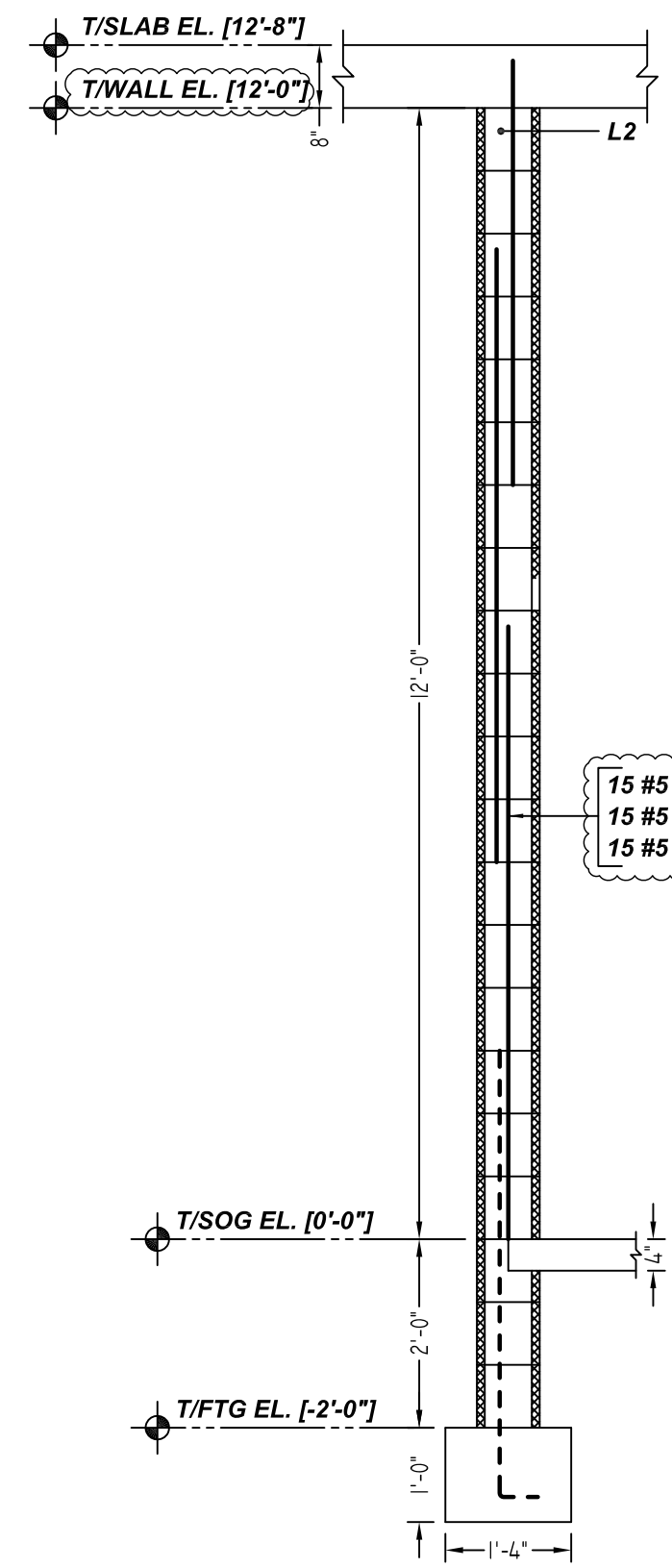


9 SECTION
SCALE - 1/2"=1'-0"
REF:S1 TO S5

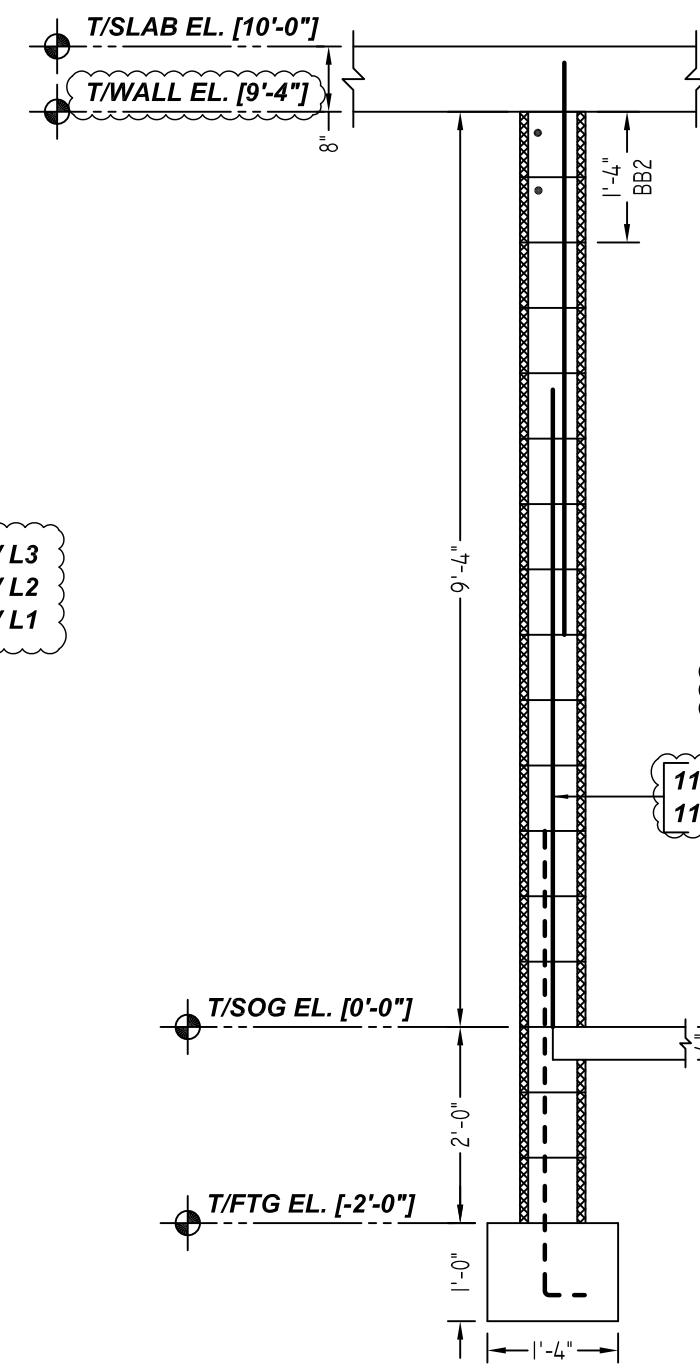
GRADE 60 A615		PRINT RECORD		CMU WALL SECTION & REINFORCEMENT DETAILS
PREFIX		NO.	TO FOR DATE	
BAR LIST NOS.				
MK	REVISION	DATE		
0	FOR APPROVAL	09/06/21		
CUSTOMER		MALLGRAVE RESIDENCE		
JOB		PALM CITY, FL 34990		
LOCATION				
DRAWN	DATE	CONTROL CODE	DWG. NO.	
SRN/MET	09/06/2021	-	R06	



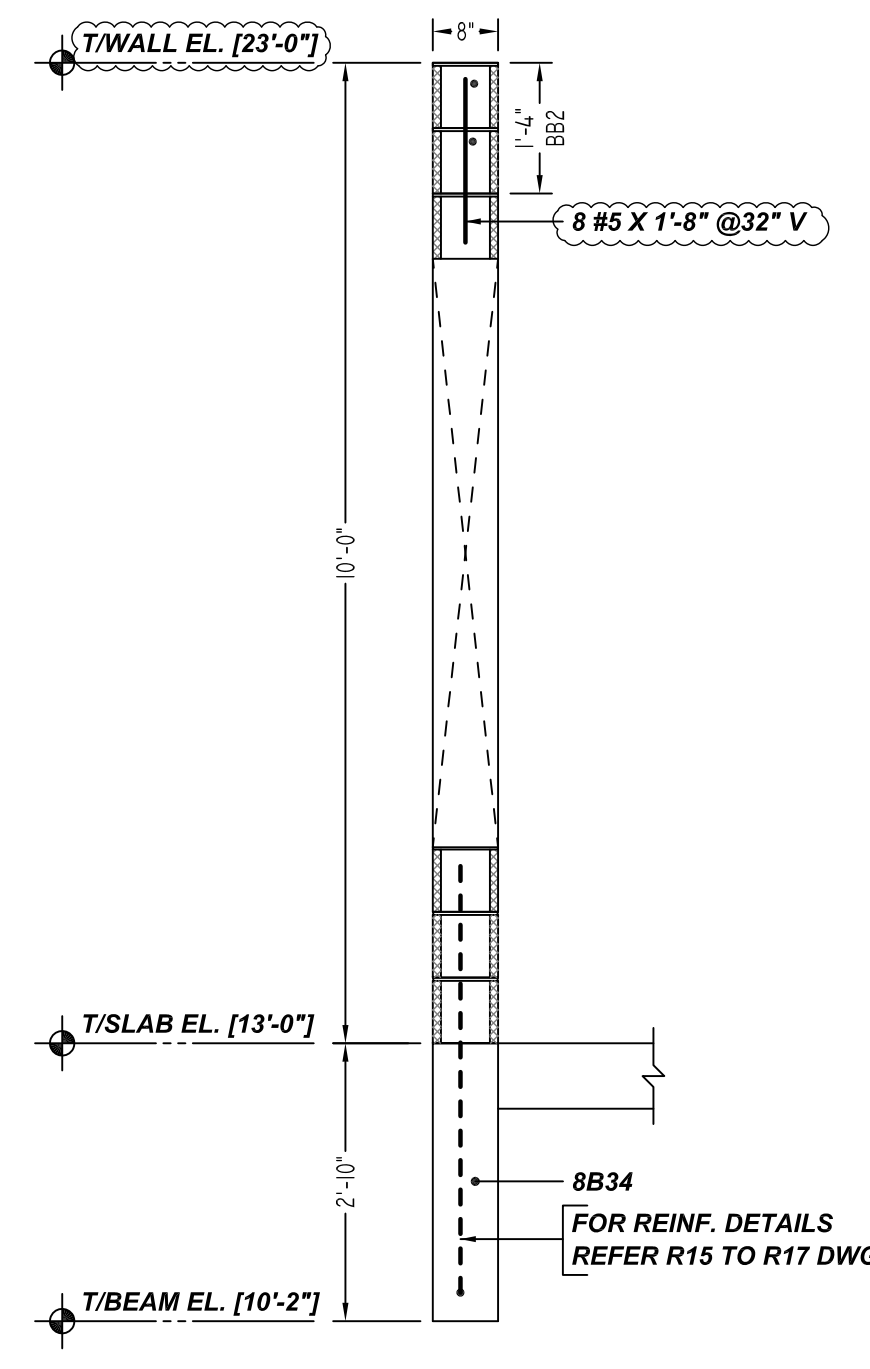
10 SECTION
SCALE - 1/2"=1'-0"
REF: S1 TO S5



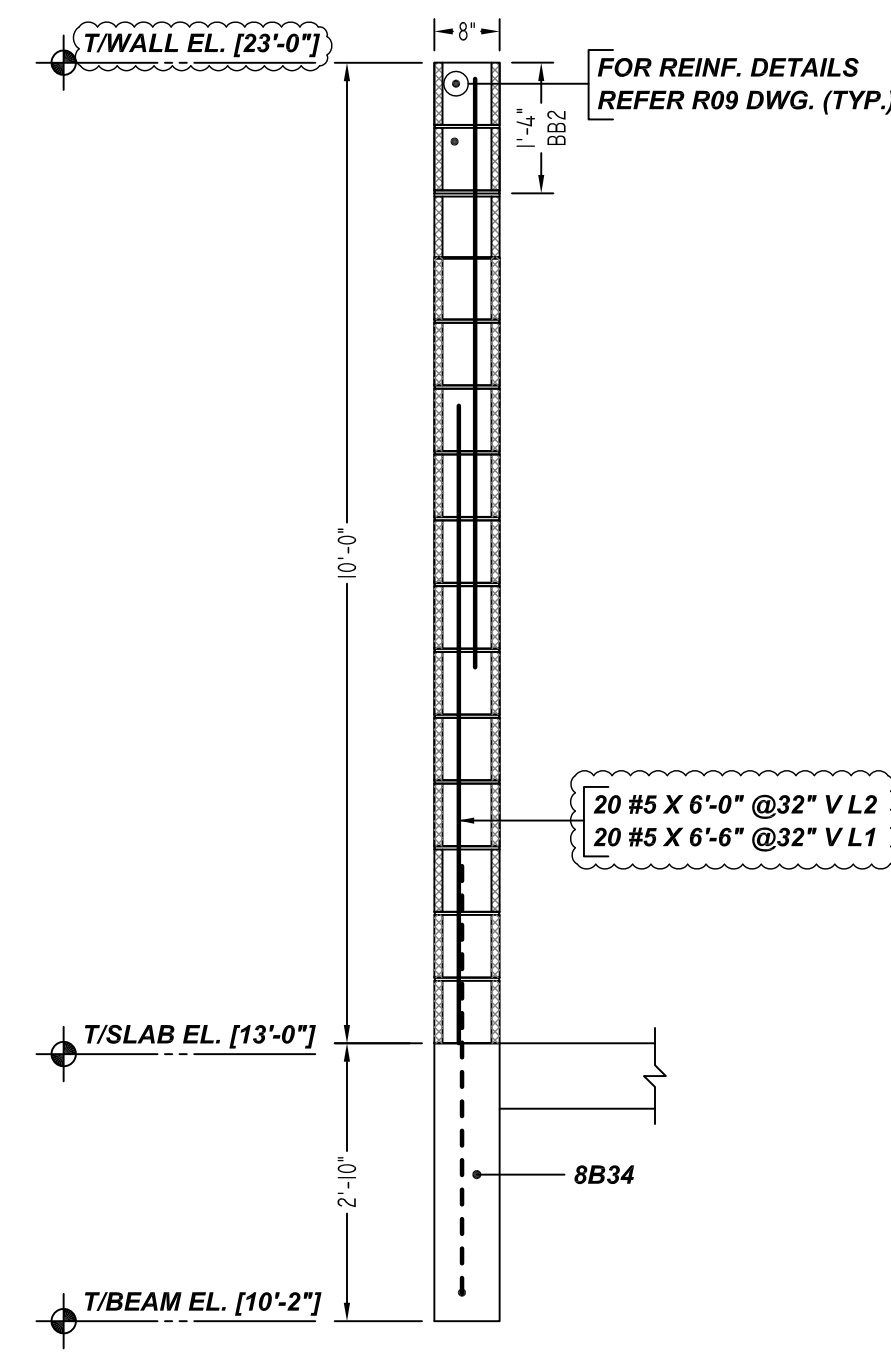
11 SECTION
SCALE - 1/2"=1'-0"
REF: S1 TO S5



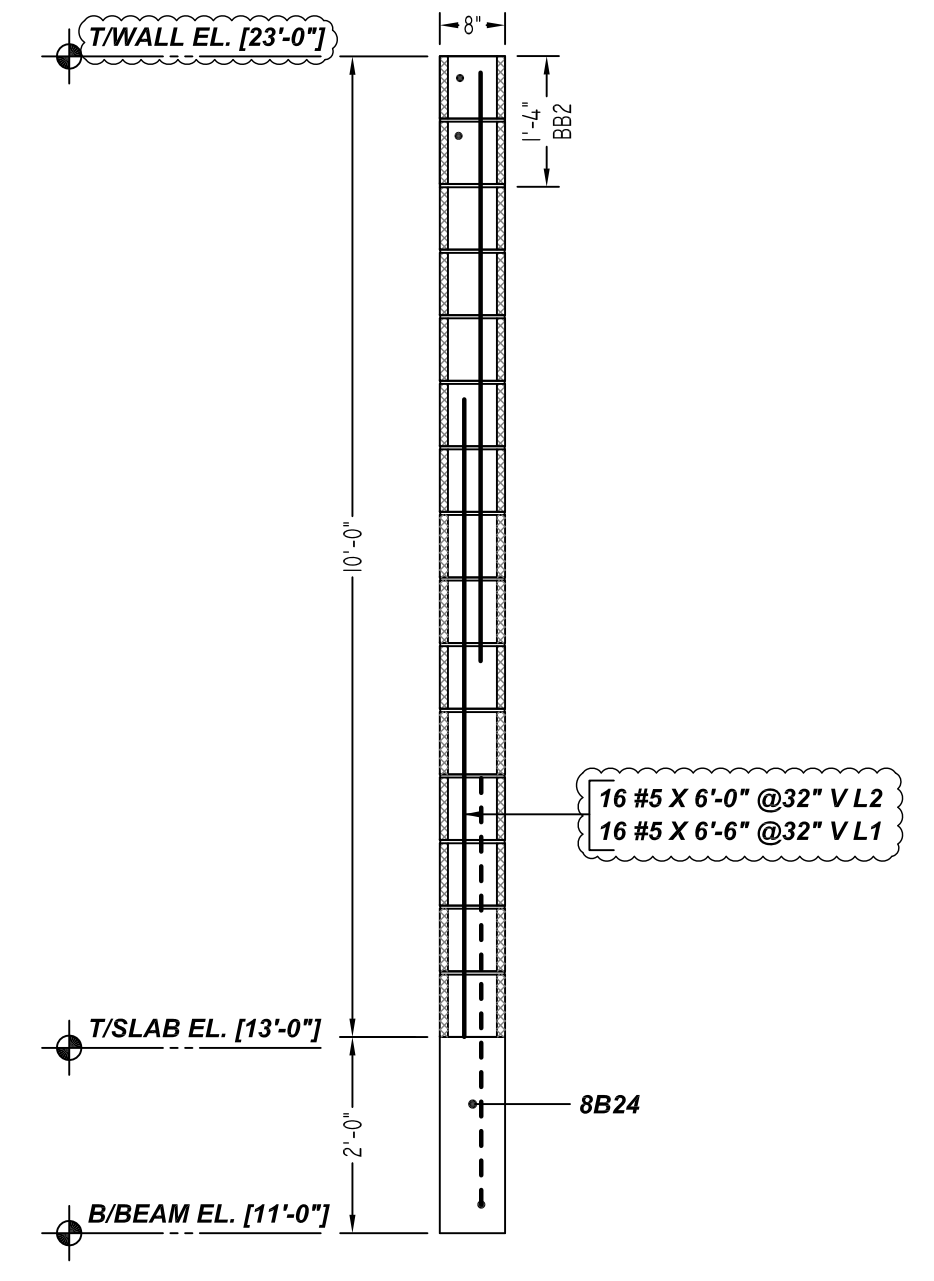
12 SECTION
SCALE - 1/2"=1'-0"
REF: S1 TO S5



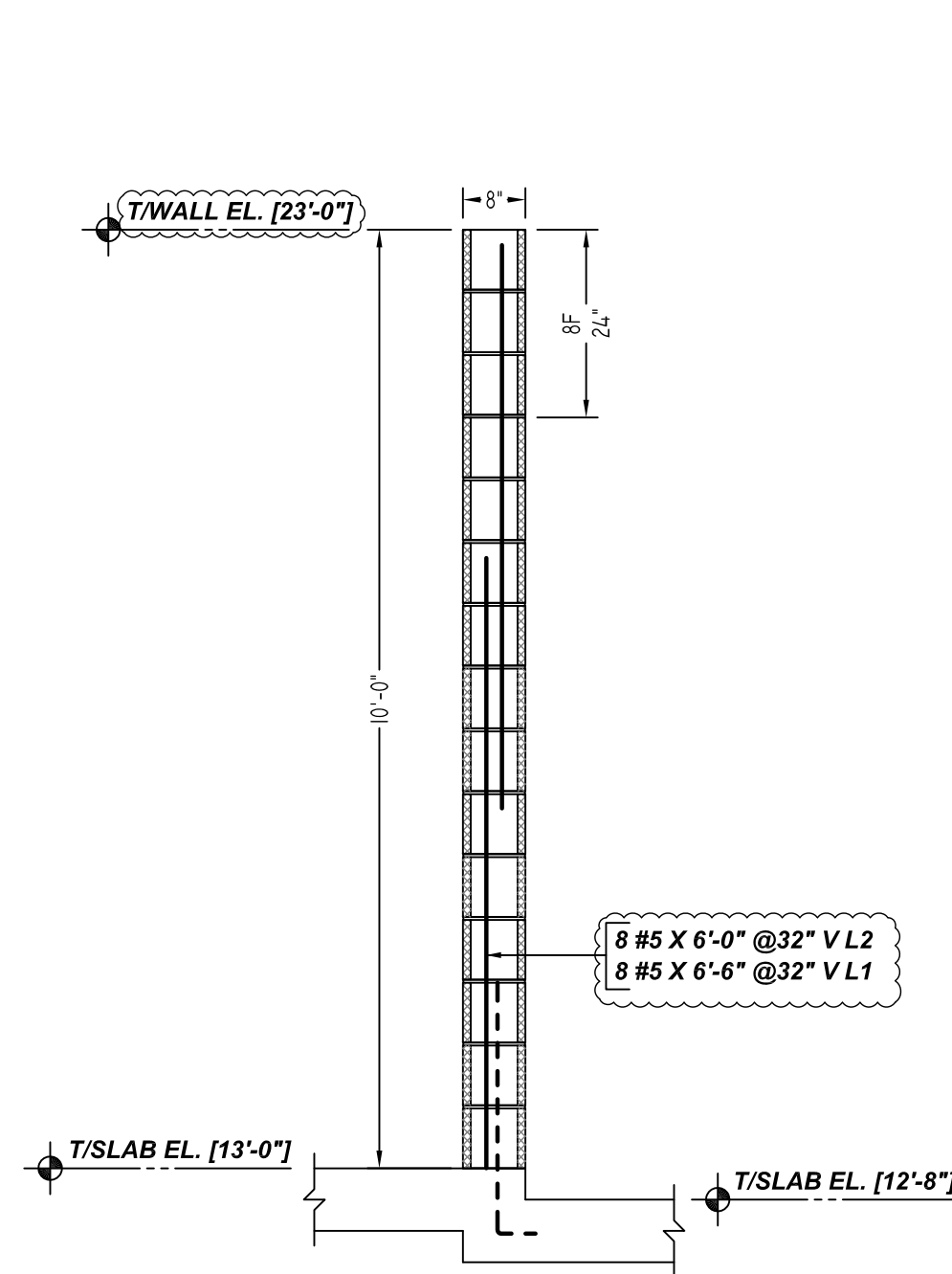
13 SECTION
SCALE - 1/2"=1'-0"
REF: S1 TO S5



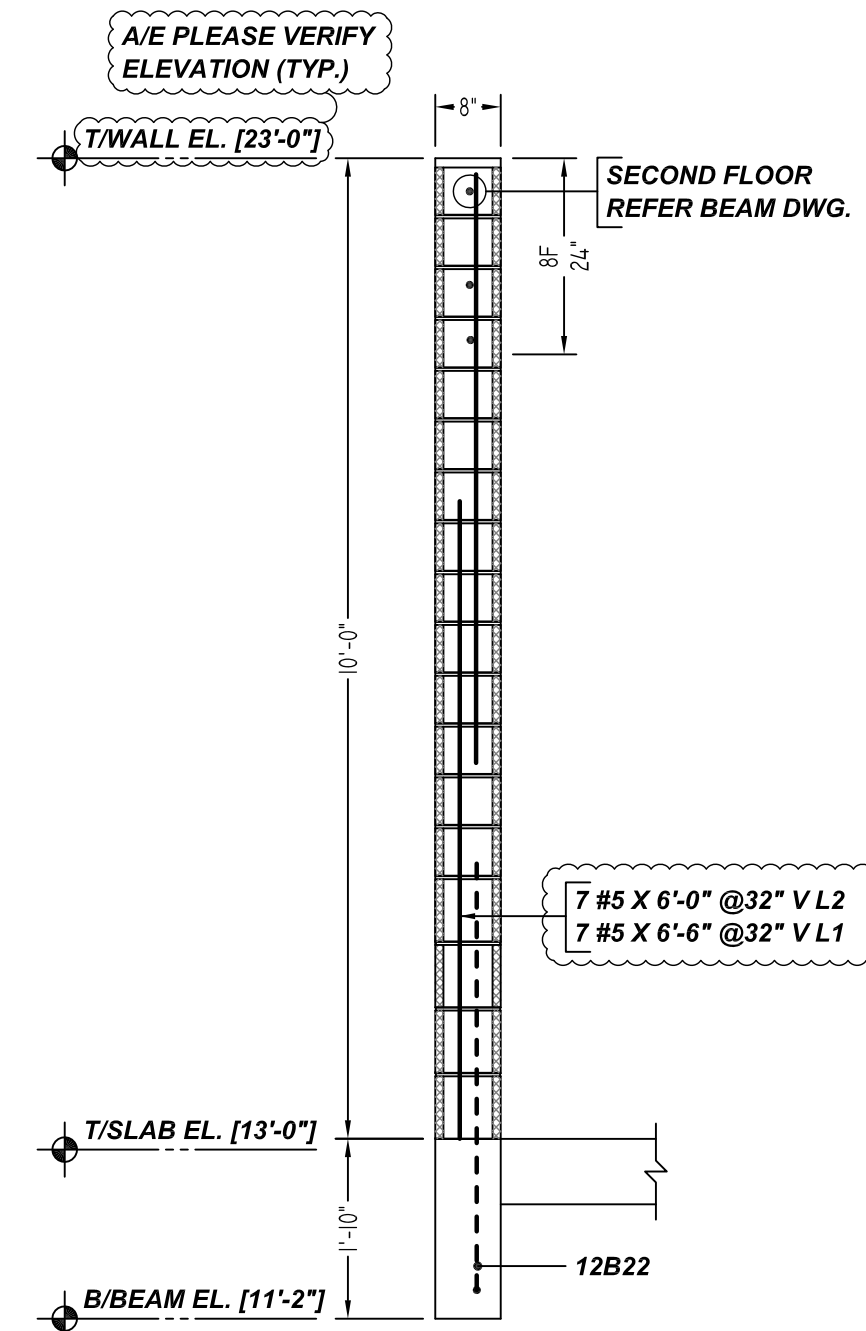
14 SECTION
SCALE - 1/2"=1'-0"
REF: S1 TO S5



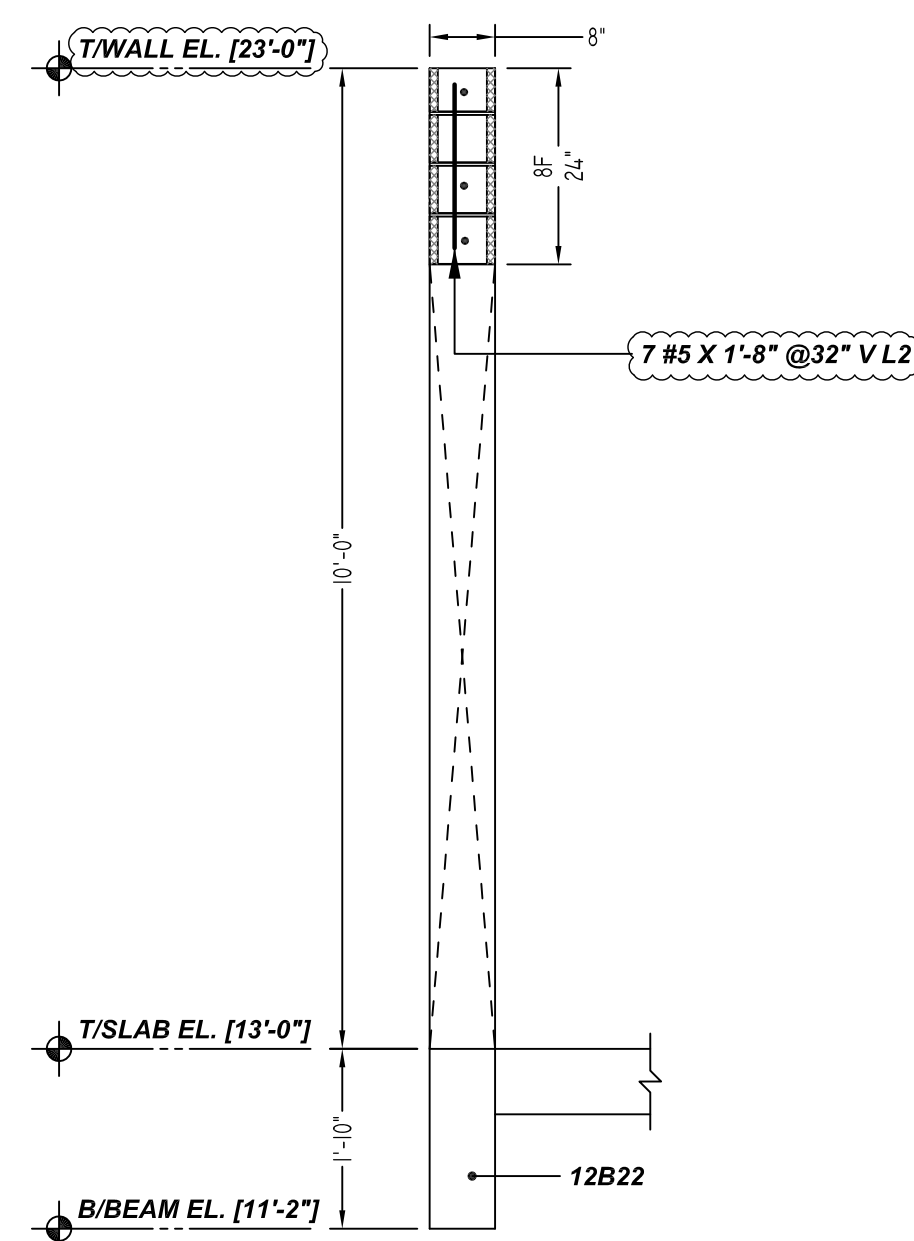
15 SECTION
SCALE - 1/2"=1'-0"
REF: S1 TO S5



16 SECTION
SCALE - 1/2"=1'-0"
REF: S1 TO S5



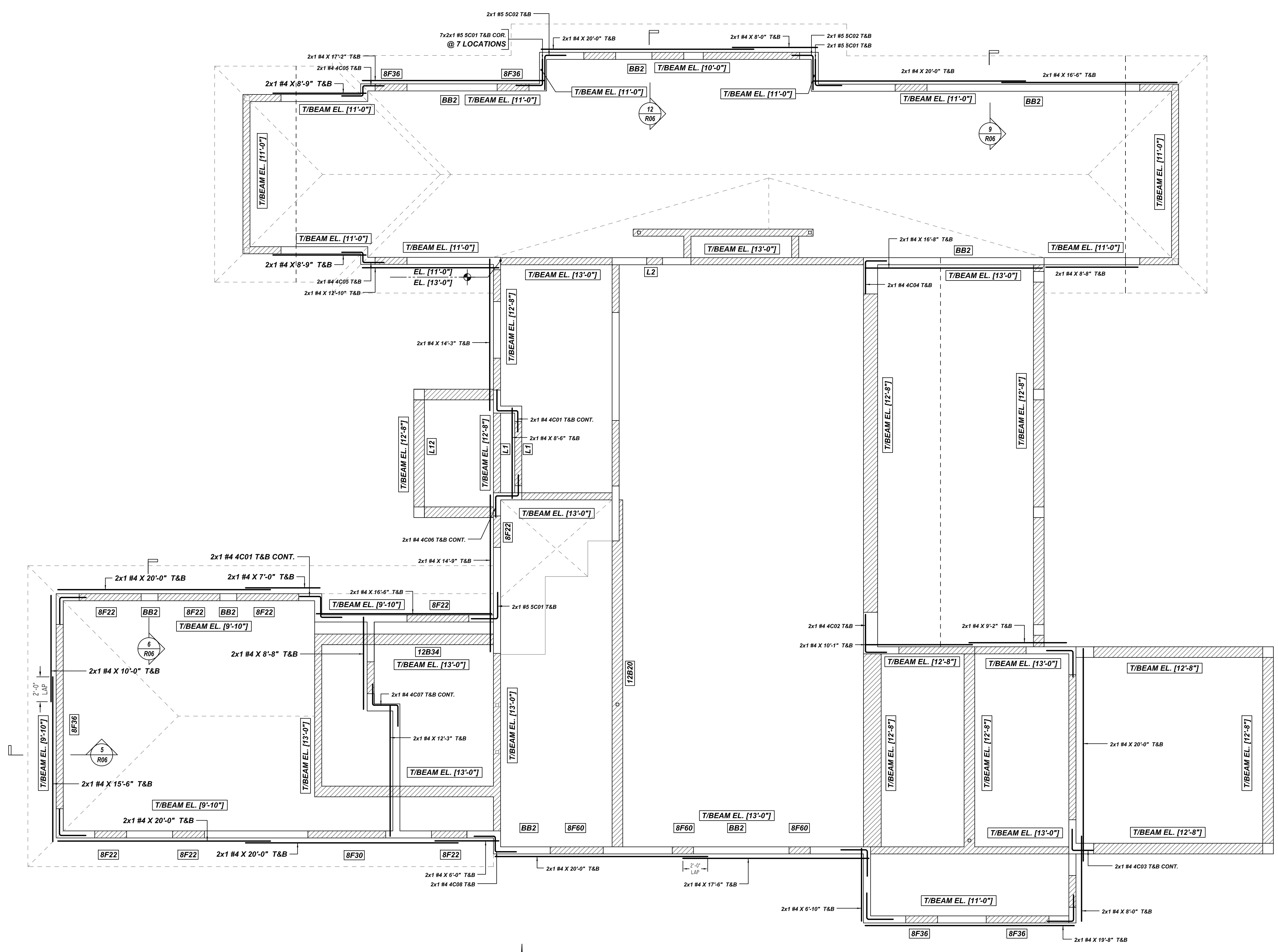
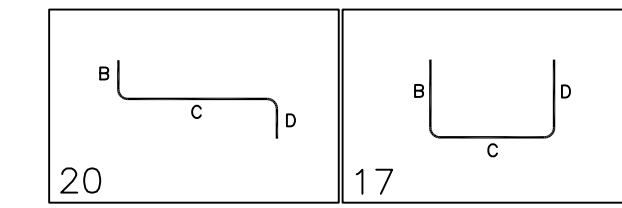
17 SECTION
SCALE - 1/2"=1'-0"
REF: S1 TO S5



18 SECTION
SCALE - 1/2"=1'-0"
REF: S1 TO S5

GRADE 60 A615		PRINT RECORD		CMU WALL SECTION & REINFORCEMENT DETAILS	
PREFIX		NO.	TO	FOR	DATE
BAR LIST NOS.					
MK	REVISION	DATE			
0	FOR APPROVAL	09/06/21			
CUSTOMER		MALLGRAVE RESIDENCE			
JOB		PALM CITY, FL 34990			
LOCATION					
DRAWN	DATE	CONTROL CODE	DWG. NO.		
SRN/MET	09/06/2021	-	R07		

Rebar Number: R08				BONDING DETAILS												
Bar Mark	Qty	Size	Total Length	Type	X	Y	Z	W	V	U	T	S	R	Q	P	
4001	4	#4	6'-0"	20			2'-0"	2'-0"	2'-0"							
4002	2	#4	5'-7"	17			5'-7"	2'-0"								
4003	2	#4	4'-0"	17			2'-0"	2'-0"								
4004	2	#4	5'-1"	17			3'-1"	2'-0"								
4005	4	#4	5'-0"	20			2'-0"	1'-0"	2'-0"							
4006	2	#4	6'-2"	20			2'-0"	2'-2"	2'-0"							
4007	2	#4	6'-5"	20			2'-0"	2'-5"	2'-0"							
4008	2	#4	5'-6"	20			2'-0"	1'-6"	2'-0"							
5001	18	#5	5'-0"	17			2'-6"	2'-6"								
5002	4	#5	5'-3"	17			2'-0"	3'-3"								



1ST LIFT BOND BEAM REINFORCEMENT DETAILS
 SCALE - 3/16"=1'-0"
 REF-S2

FOR CMU WALL

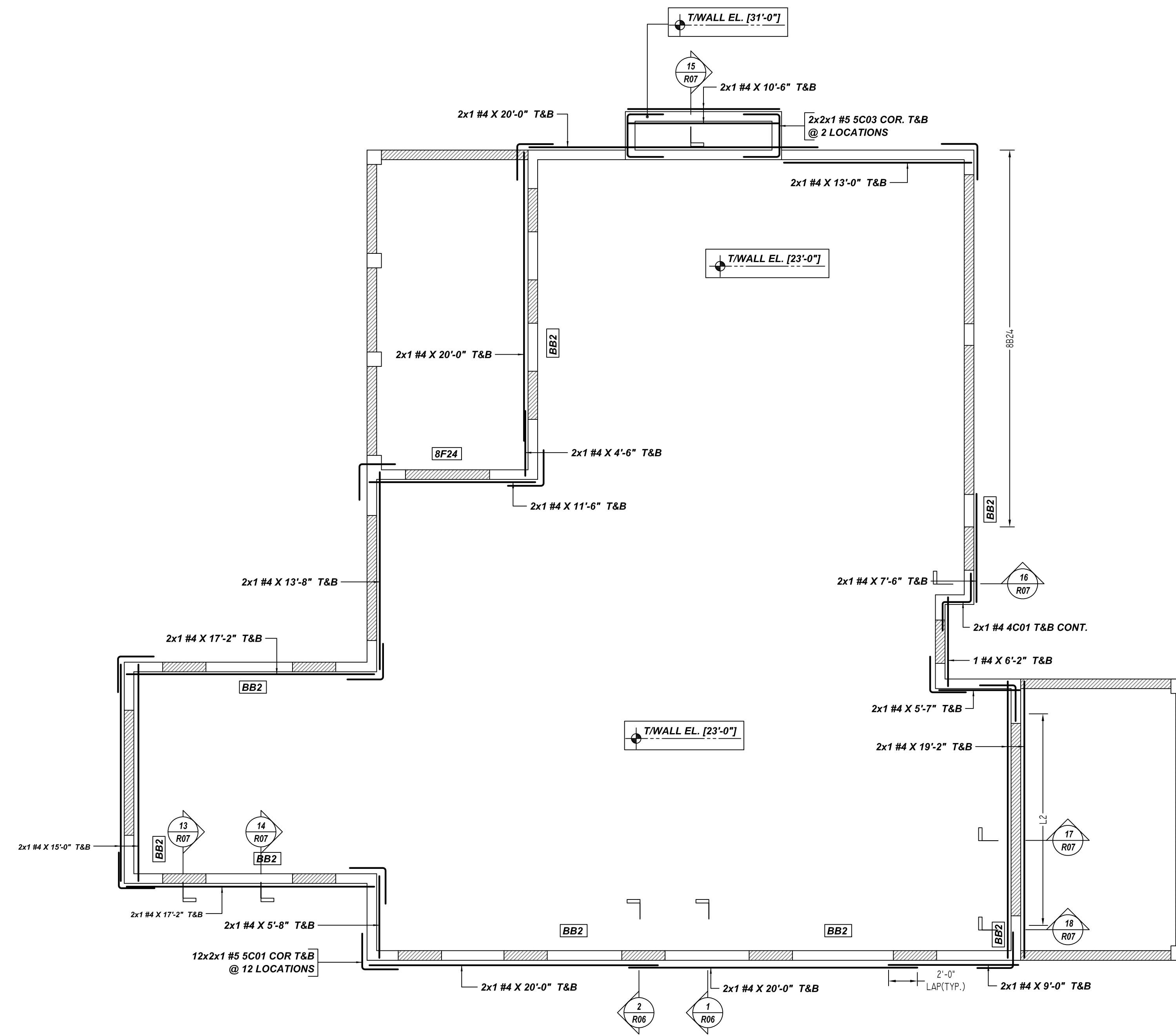
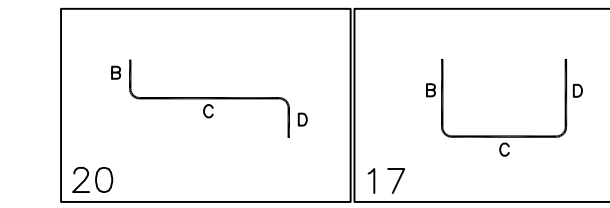
SIZE	LAP
#3	22"
#4	29"
#5	36"
#6	43"
#7	63"

TYPICAL REINFORCING BAR CLEARANCE TABLE	
LOCATION	MIN. COVER
SLAB EDGE	2" CLR

**ALL BARS IN THIS DRAWING
 ASTM A615 GRADE 60
 BLACK UNCOATED**

GRADE	60 A615	PRINT RECORD	
PREFIX		NO.	DATE
BAR LIST NOS.		NO.	DATE
MK	REVISION	DATE	
0	FOR APPROVAL	09/06/21	
1ST LIFT BOND BEAM REINFORCEMENT DETAILS			
CUSTOMER -			
JOB - MALLGRAVE RESIDENCE			
LOCATION - PALM CITY, FL 34990			
DRAWN	DATE	CONTROL CODE	DWG. NO.
SRN/MET	09/06/2021	-	R08

Release Number: R09				BENDING DETAILS												
Bar Mark	Qty	Size	Total Length	Type	X'	Y'	Z'	X''	Y''	Z''	X'''	Y'''	Z'''	X''''	Y''''	Z''''
4C01	2	#4	6'-0"	20		2'-0"	2'-0"	2'-0"								
5C01	24	#5	5'-0"	17		2'-6"	2'-6"	2'-6"								
5C03	4	#5	8'-0"	17		2'-6"	3'-0"	2'-6"								



2ND LIFT BOND BEAM REINFORCEMENT DETAILS
 SCALE - 3/16"=1'-0"
 REF: S4

FOR CMU WALL

SIZE	LAP
#3	22"
#4	29"
#5	36"
#6	43"
#7	63"

LOCATION	MIN. COVER
SLAB EDGE	2" CLR

**ALL BARS IN THIS DRAWING
 ASTM A615 GRADE 60
 BLACK UNCOATED**

GRADE	60 A615	PRINT RECORD		2ND LIFT BOND BEAM REINFORCEMENT DETAILS	
PREFIX		NO.	TO	FOR	DATE
BAR LIST NOS.					
MK	REVISION	DATE			
0	FOR APPROVAL	09/06/21			
CUSTOMER		MALLGRAVE RESIDENCE			
JOB		PALM CITY, FL 34990			
LOCATION					
DRAWN	DATE	CONTROL CODE	DWG. NO.		
SRN/MET	09/06/2021	-	R09		