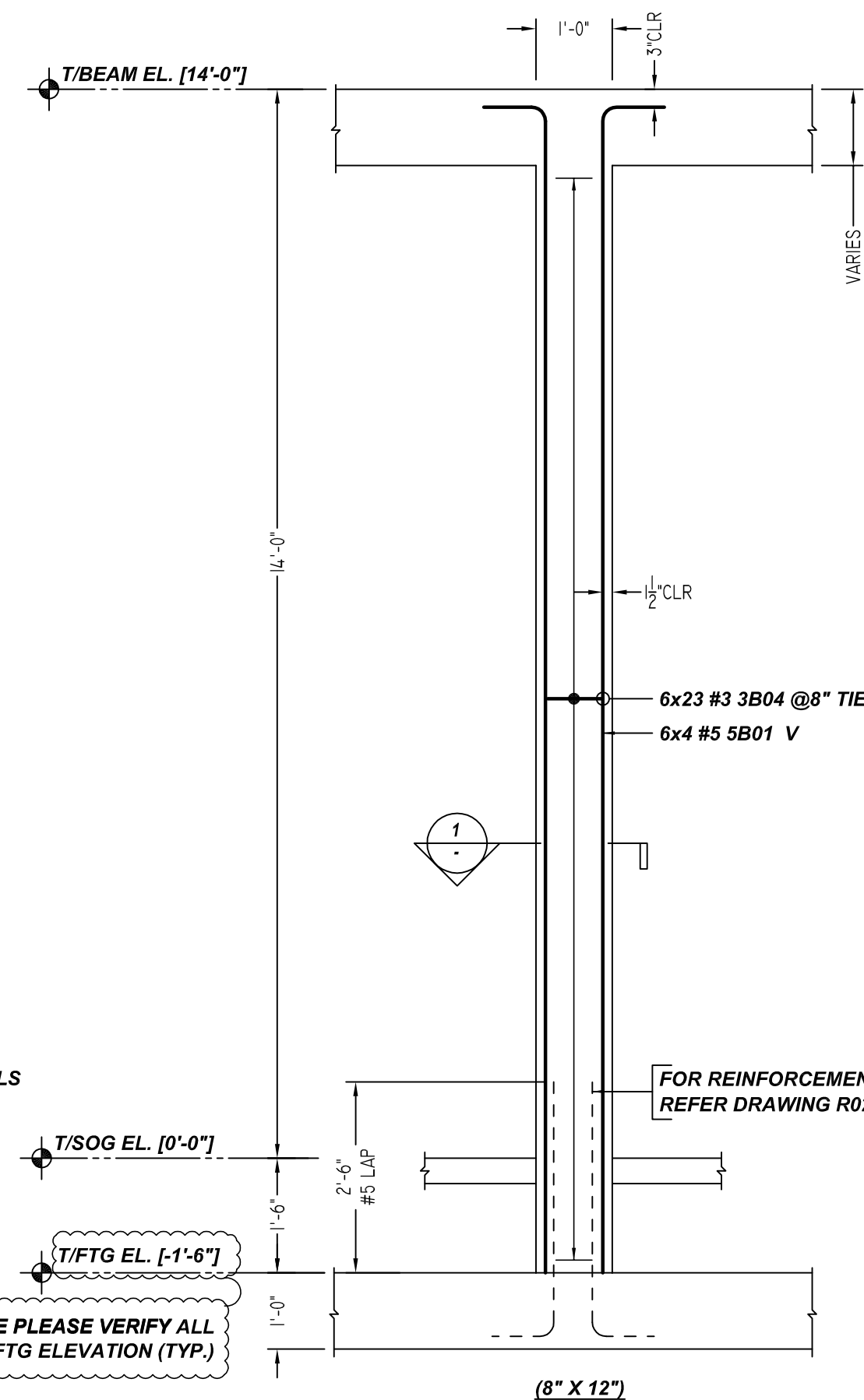
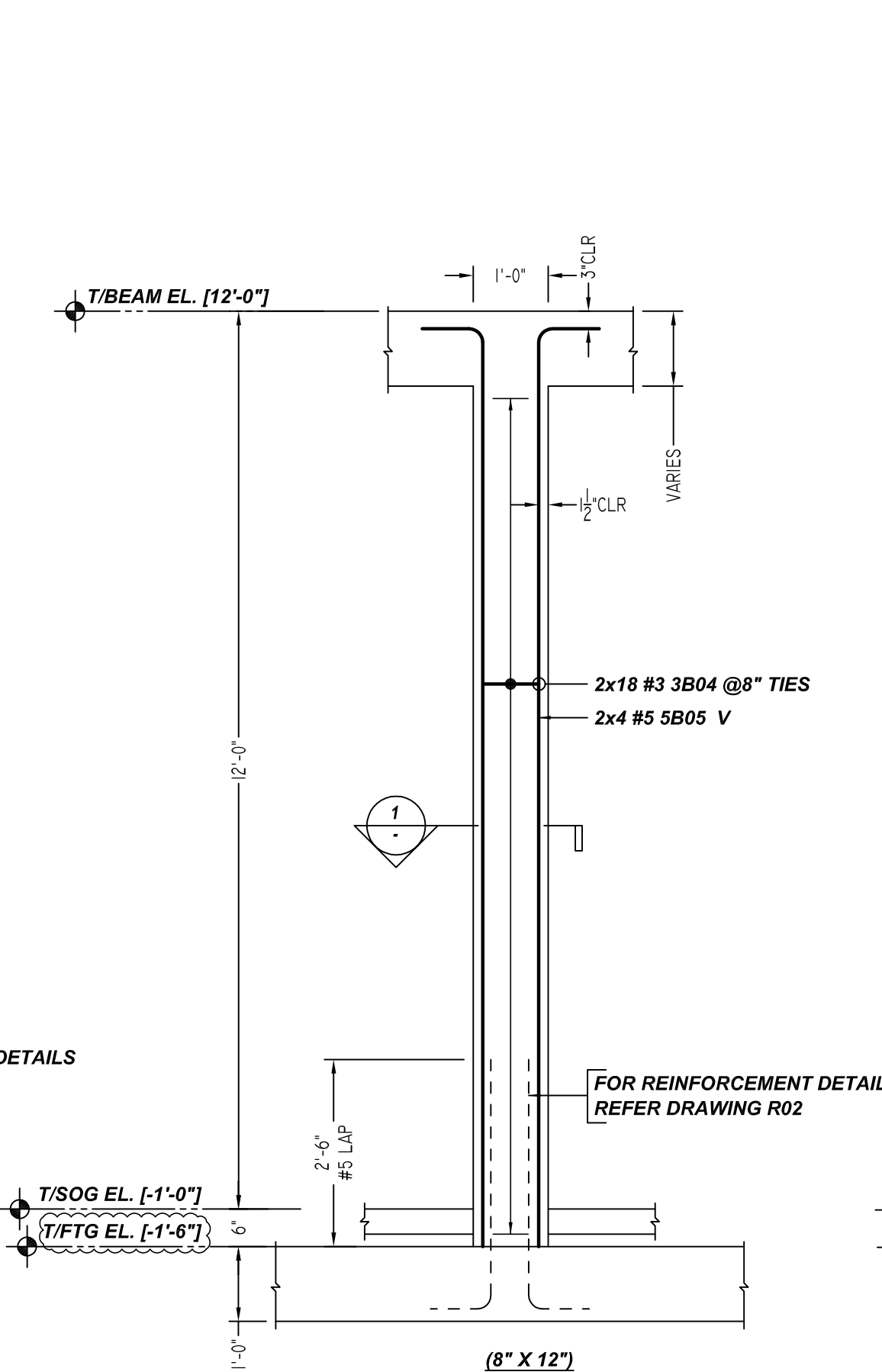


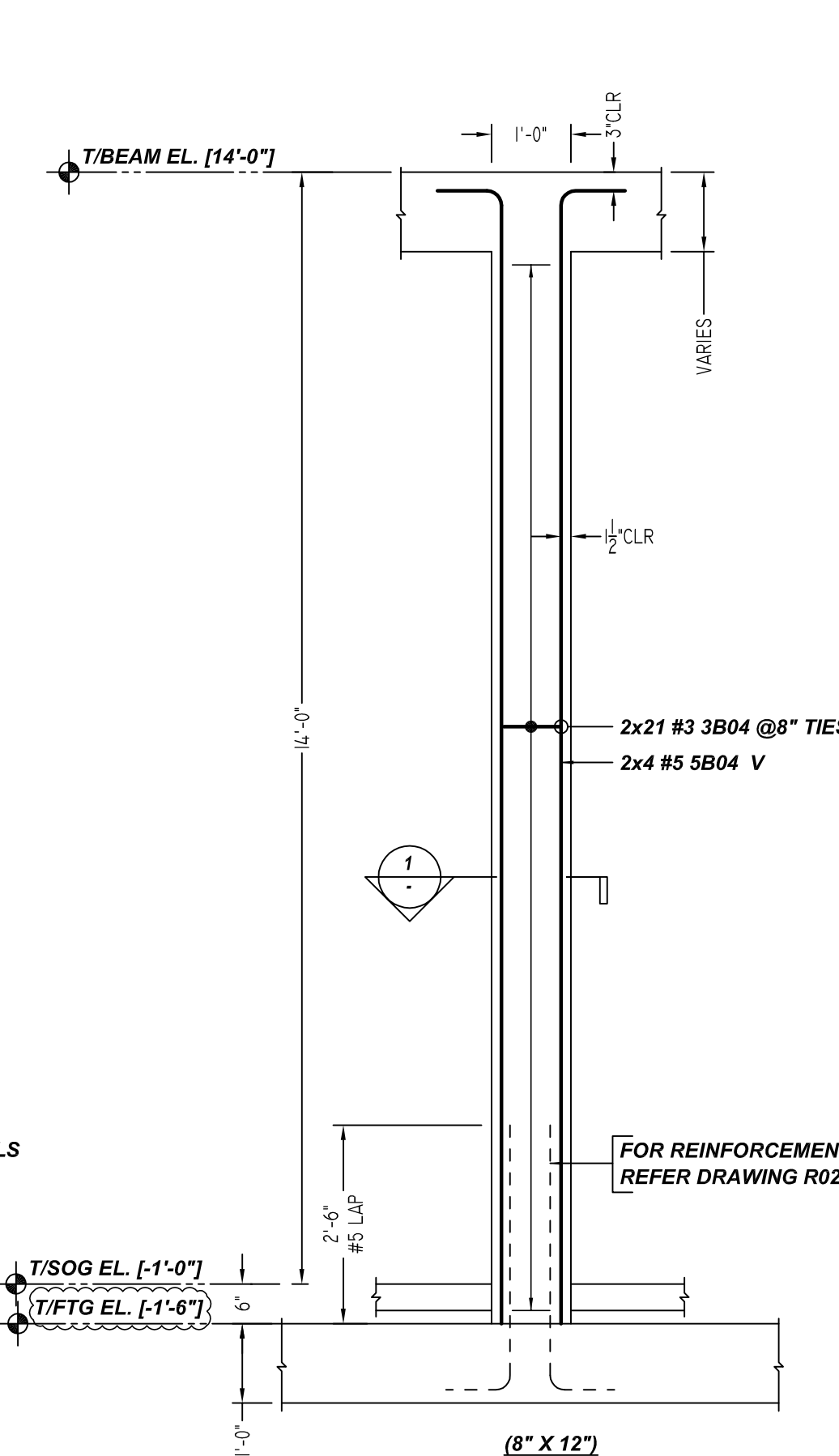
COLUMN - 1
SCALE - 1/2"=1'-0"
REF:S1.0 & S1.2
(@ 02 LOCATIONS)



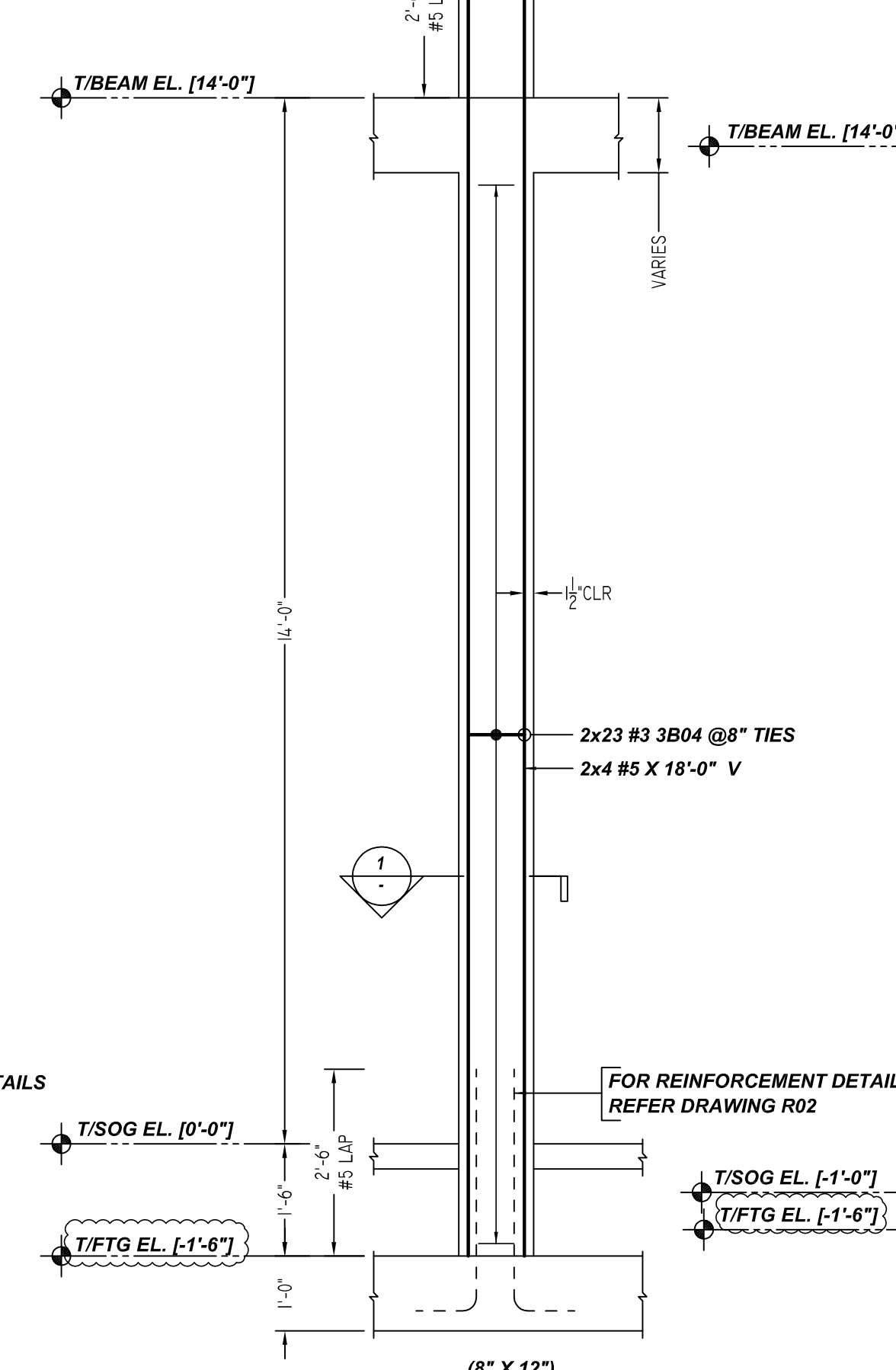
COLUMN - 1A
SCALE - 1/2"=1'-0"
REF:S1.0 & S1.2
(@ 06 LOCATIONS)



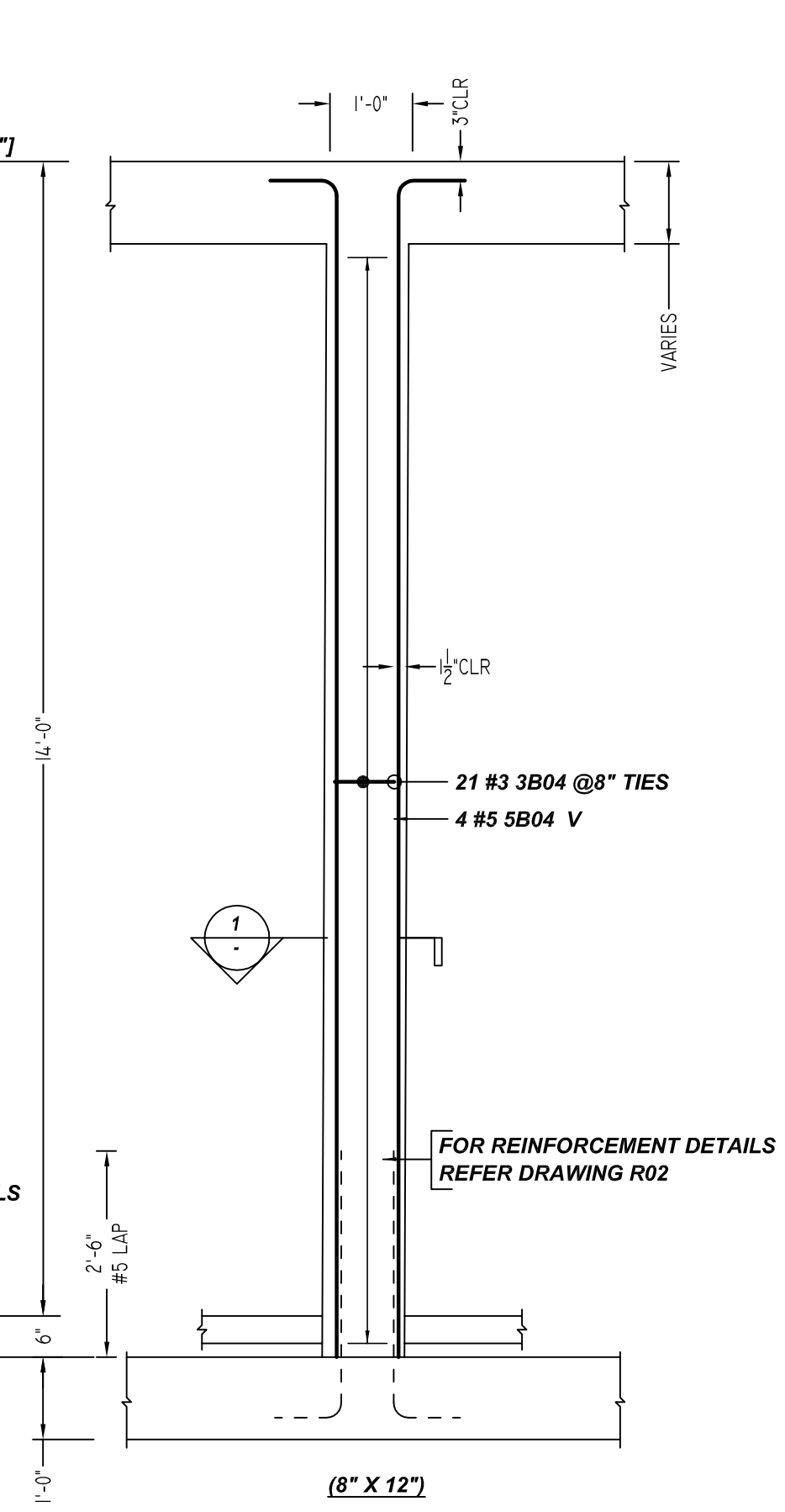
COLUMN - 1B
SCALE - 1/2"=1'-0"
REF:S1.0 & S1.2
(@ 02 LOCATIONS)



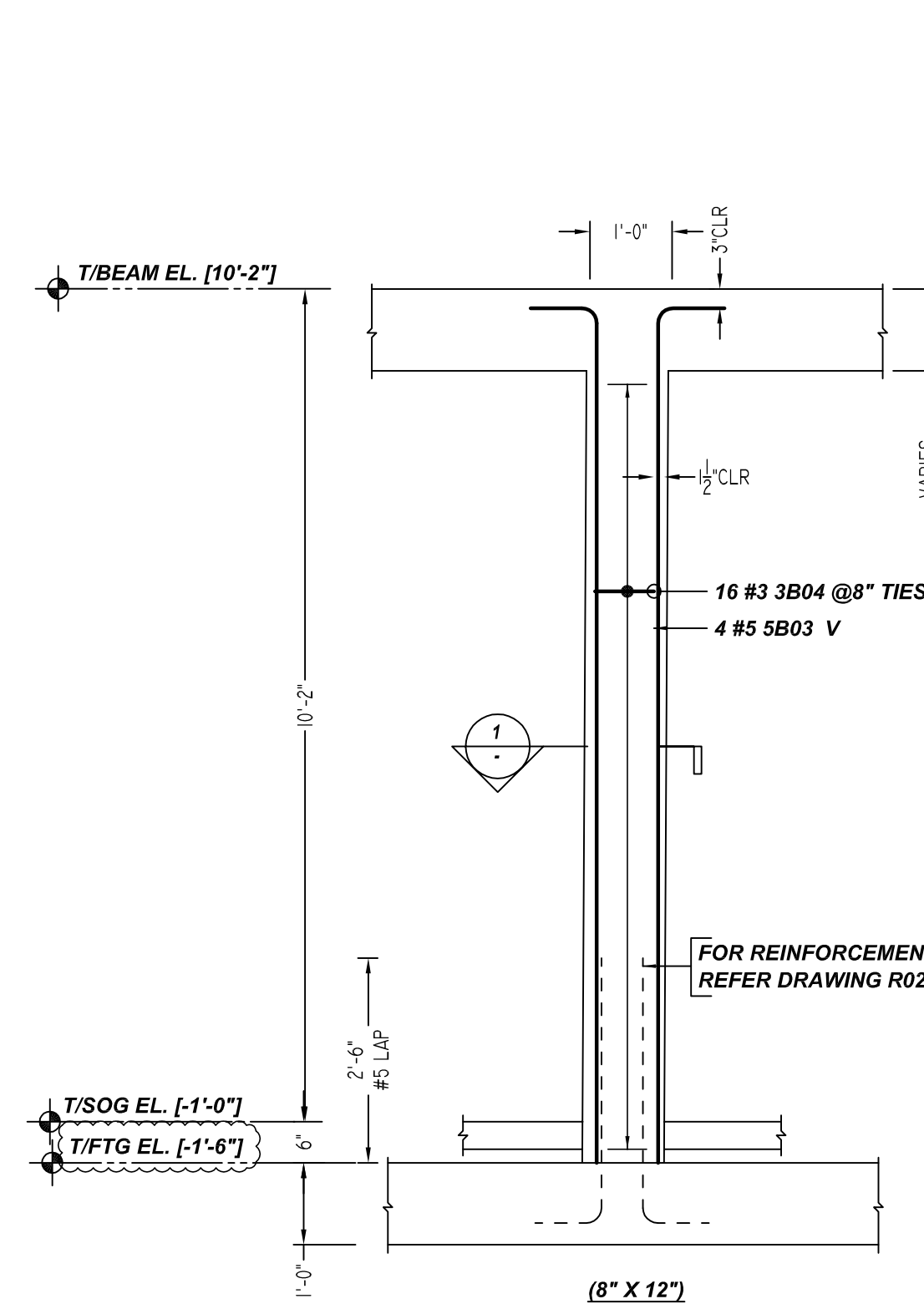
COLUMN - 1B1
SCALE - 1/2"=1'-0"
REF:S1.0 & S1.2
(@ 02 LOCATIONS)



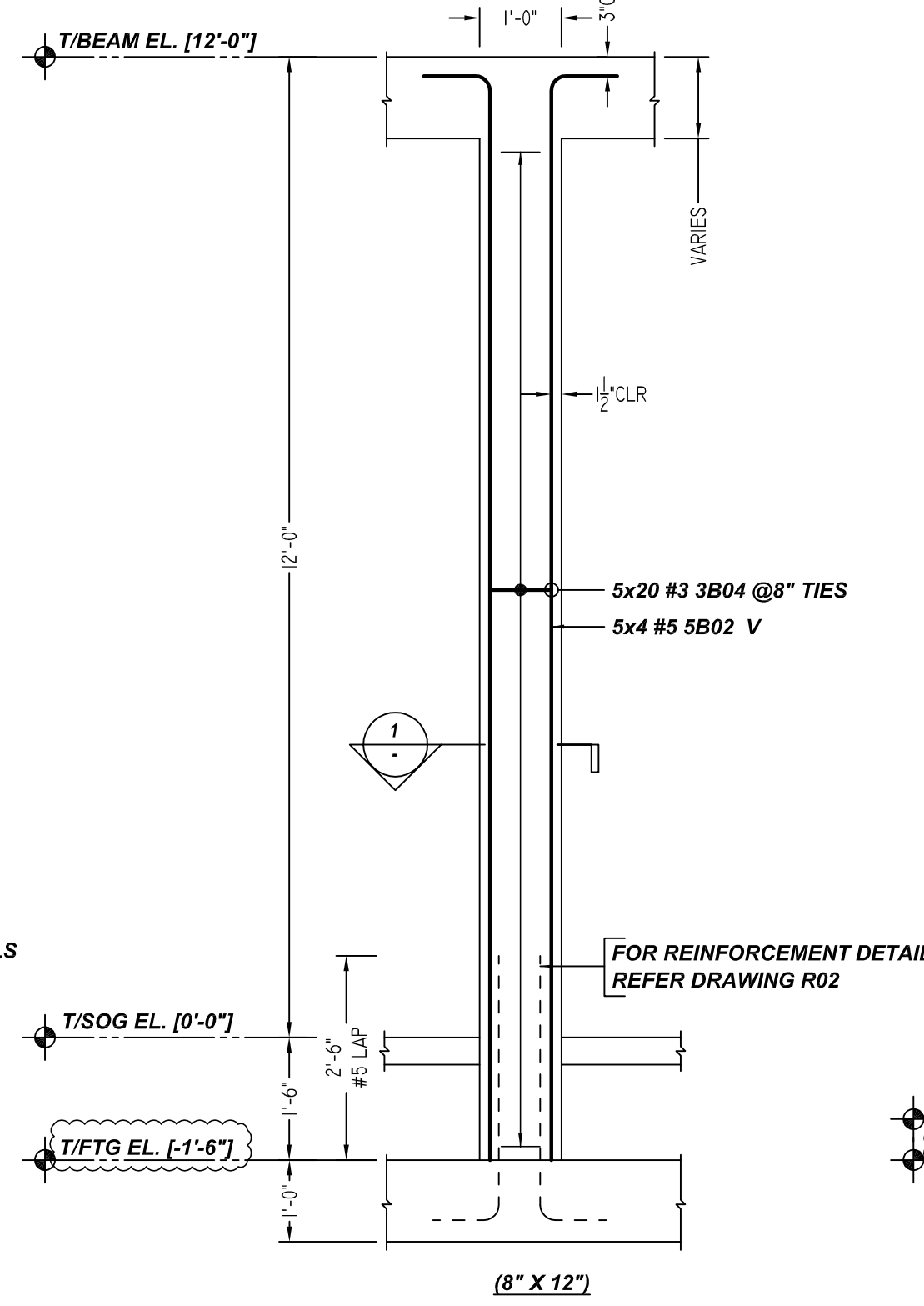
COLUMN - 1C
SCALE - 1/2"=1'-0"
REF:S1.0 & S1.2
(@ 02 LOCATIONS)



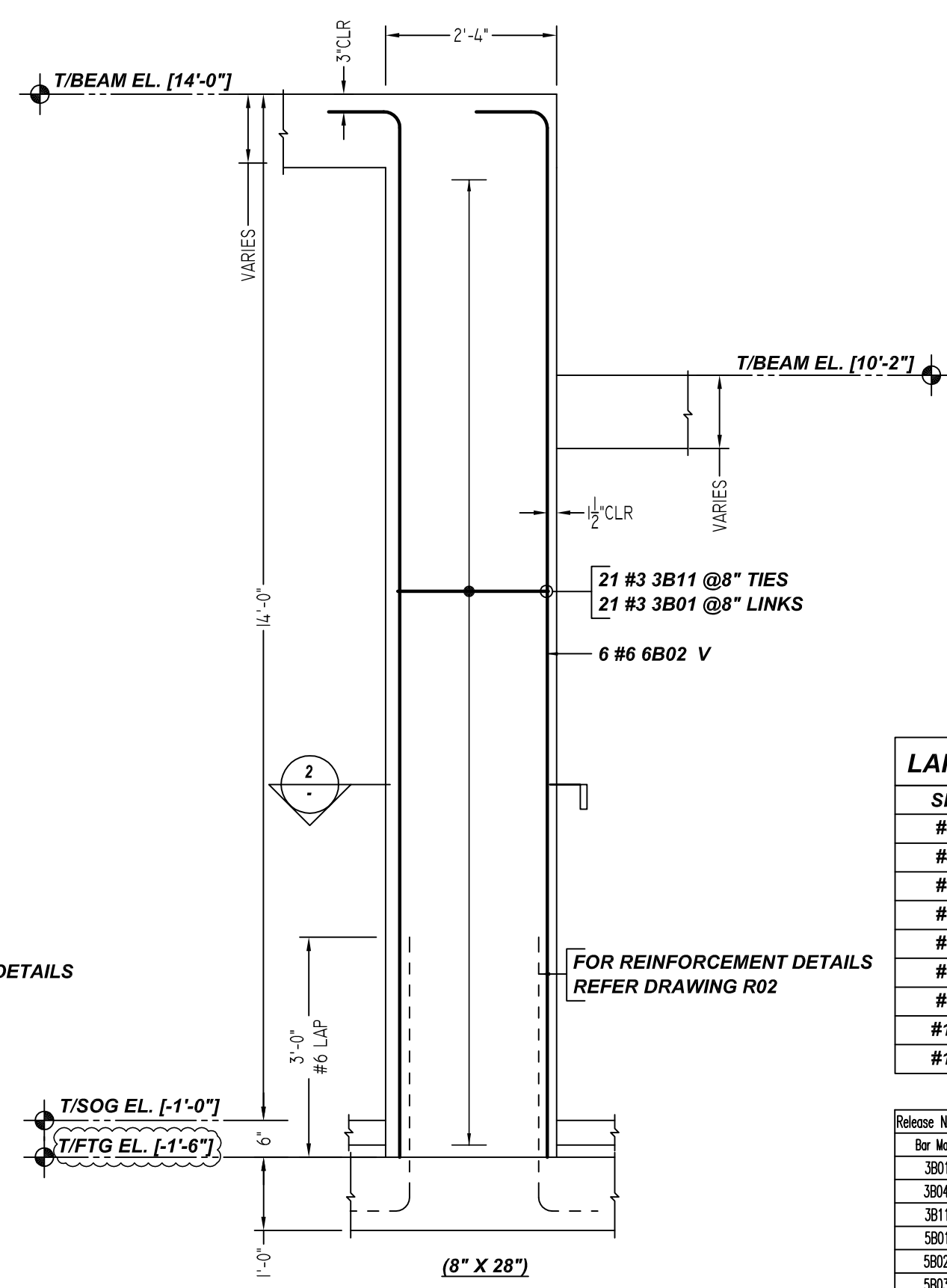
COLUMN - 1D
SCALE - 1/2"=1'-0"
REF:S1.0 & S1.2



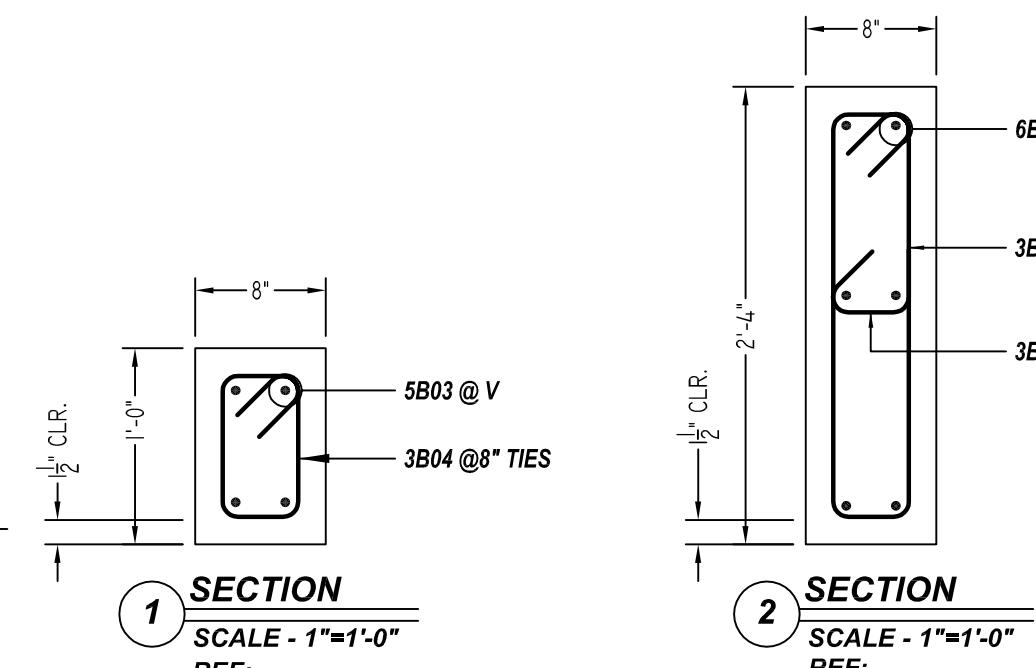
COLUMN - 1DA
SCALE - 1/2"=1'-0"
REF:S1.0 & S1.2



COLUMN - 1E
SCALE - 1/2"=1'-0"
REF:S1.0 & S1.2
(@ 05 LOCATIONS)



COLUMN - 2
SCALE - 1/2"=1'-0"
REF:S1.0 & S1.2

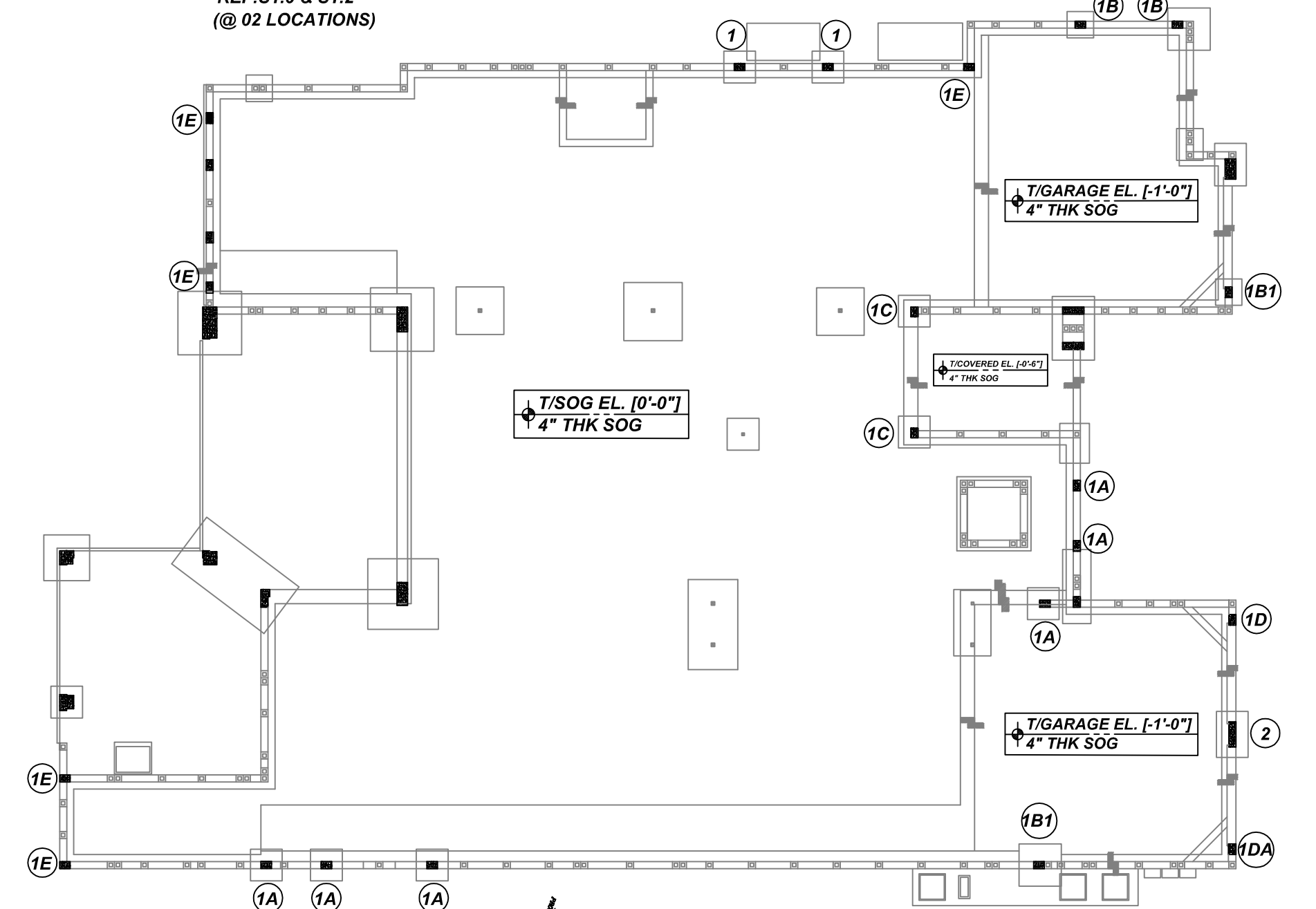
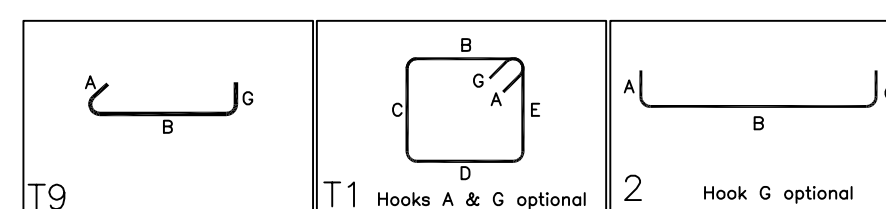


FOR COLUMN

SIZE	48 Ø LAP
#3	18"
#4	24"
#5	30"
#6	36"
#7	42"
#8	48"
#9	55"
#10	61"
#11	68"

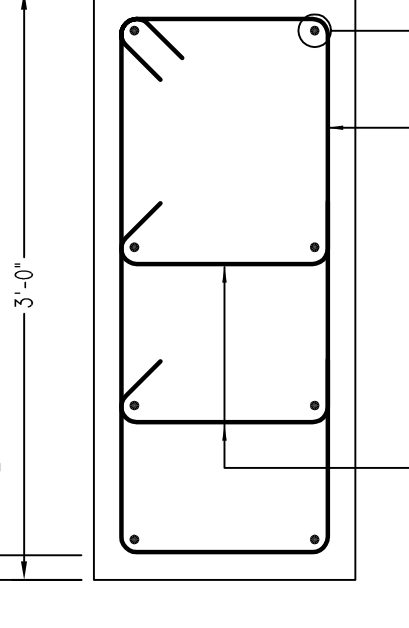
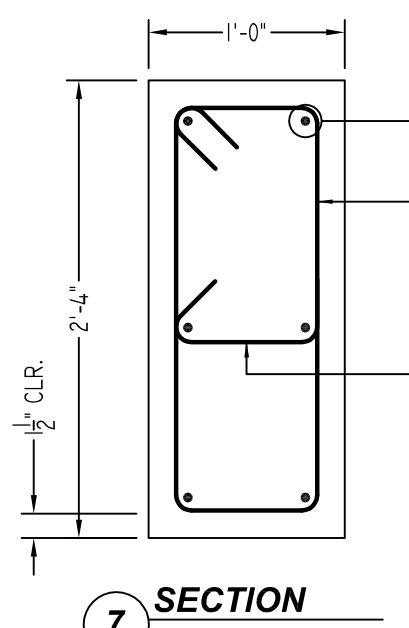
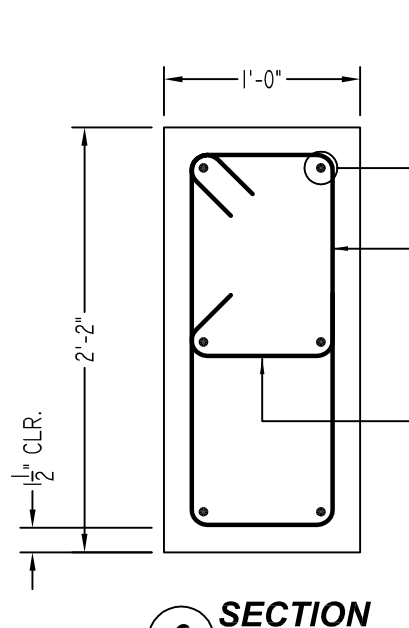
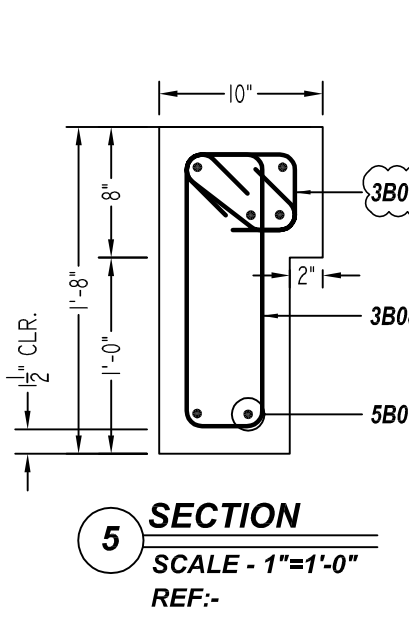
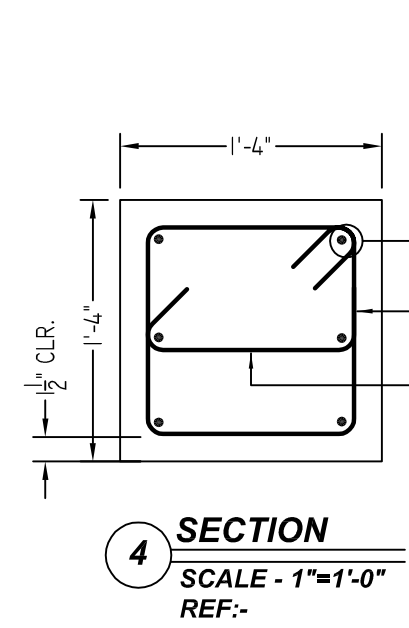
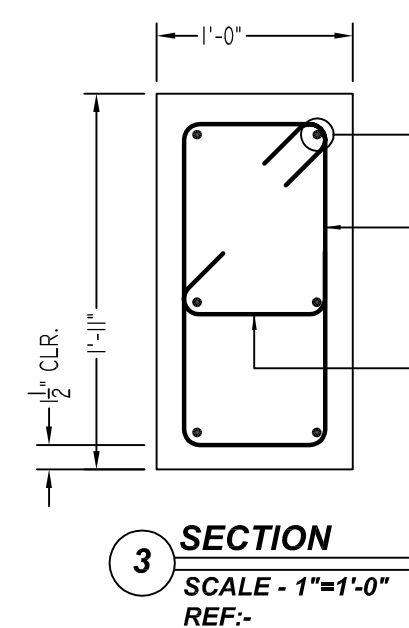
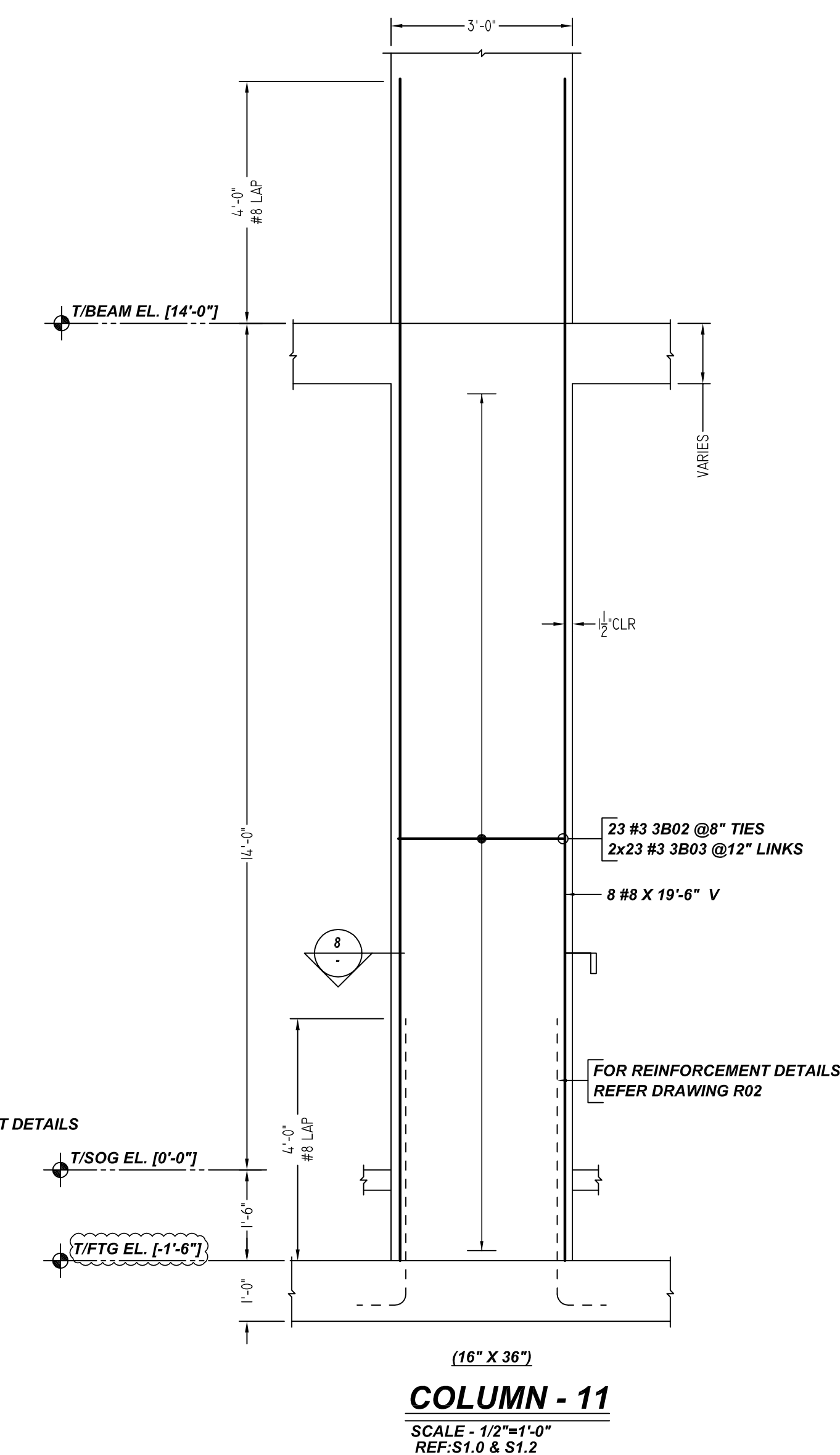
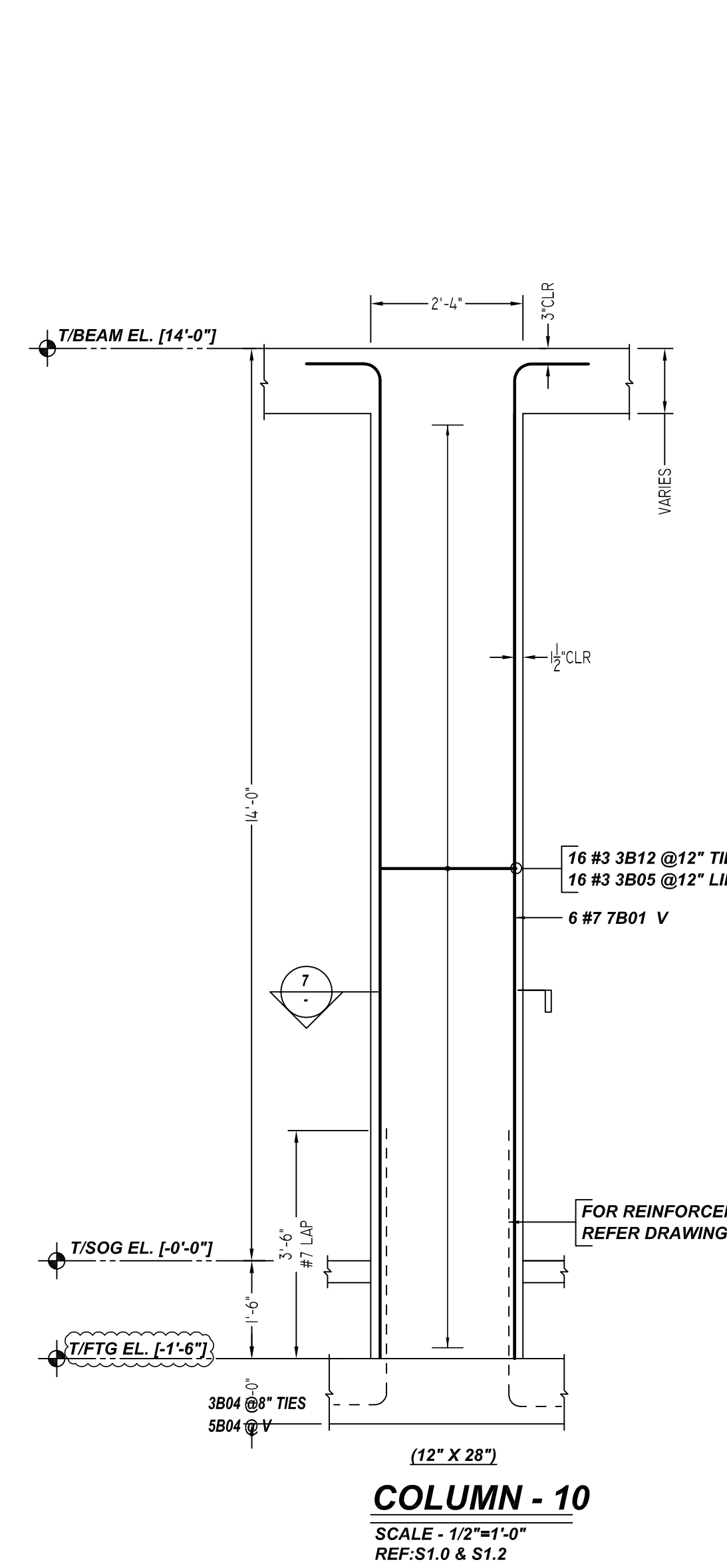
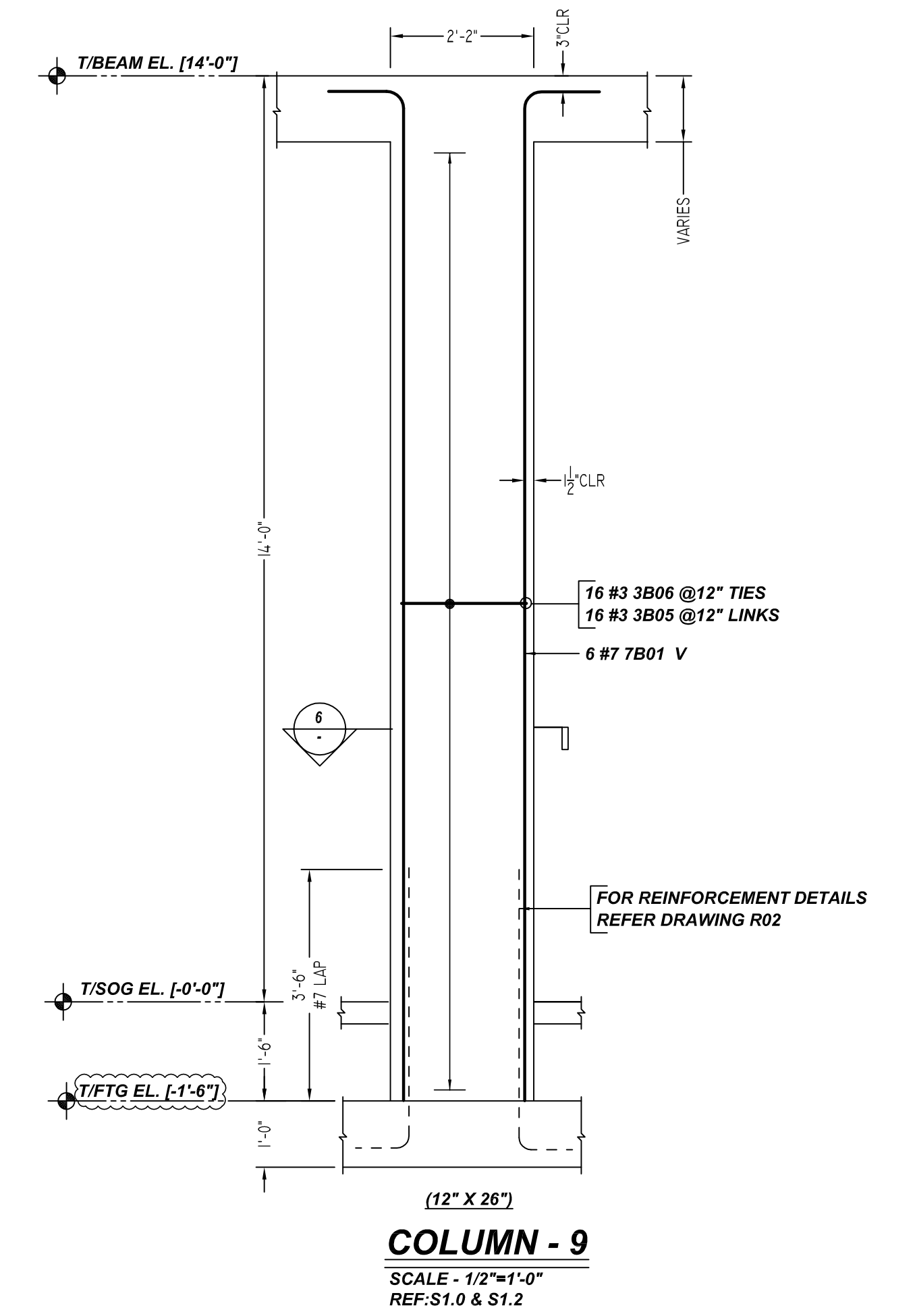
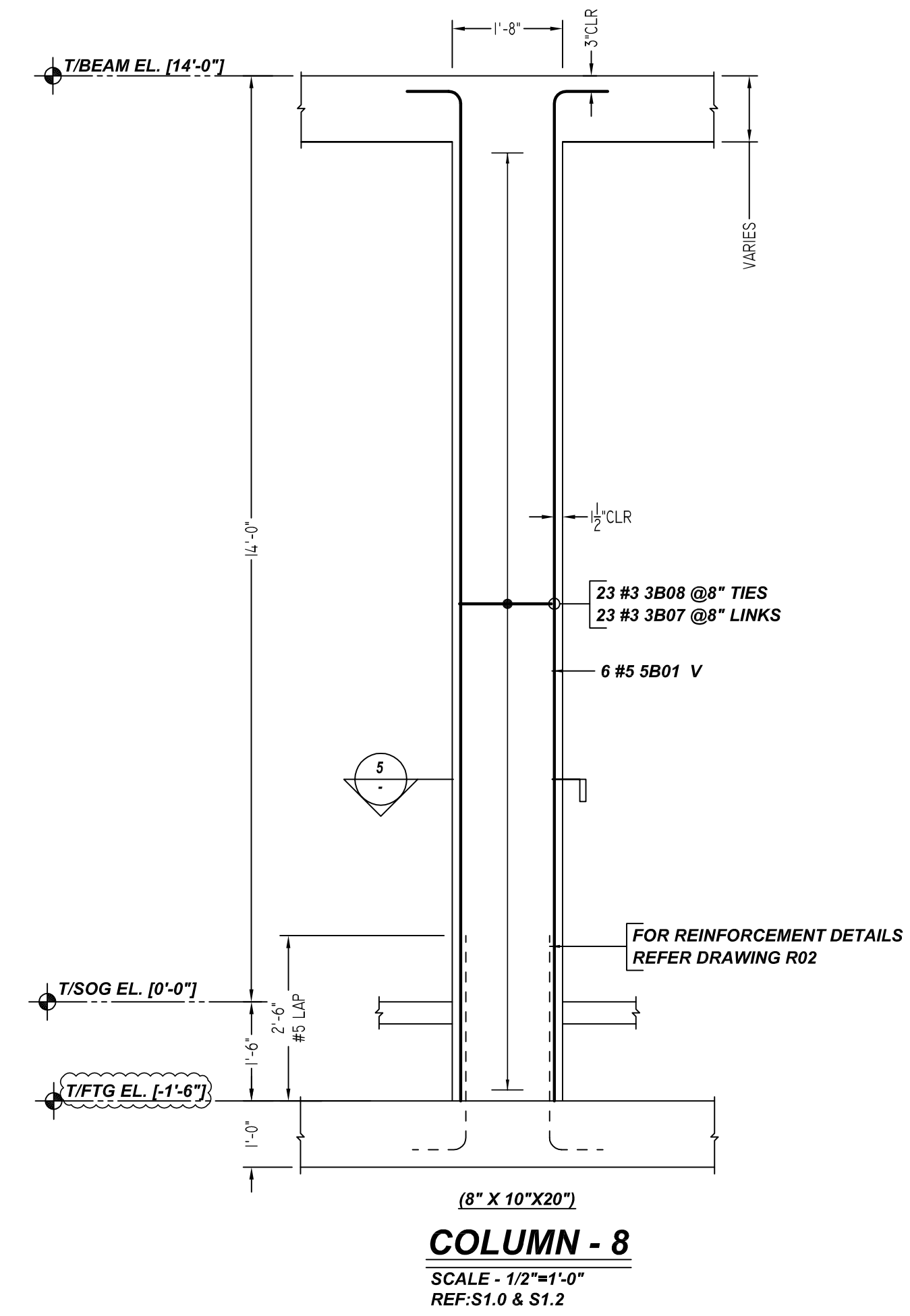
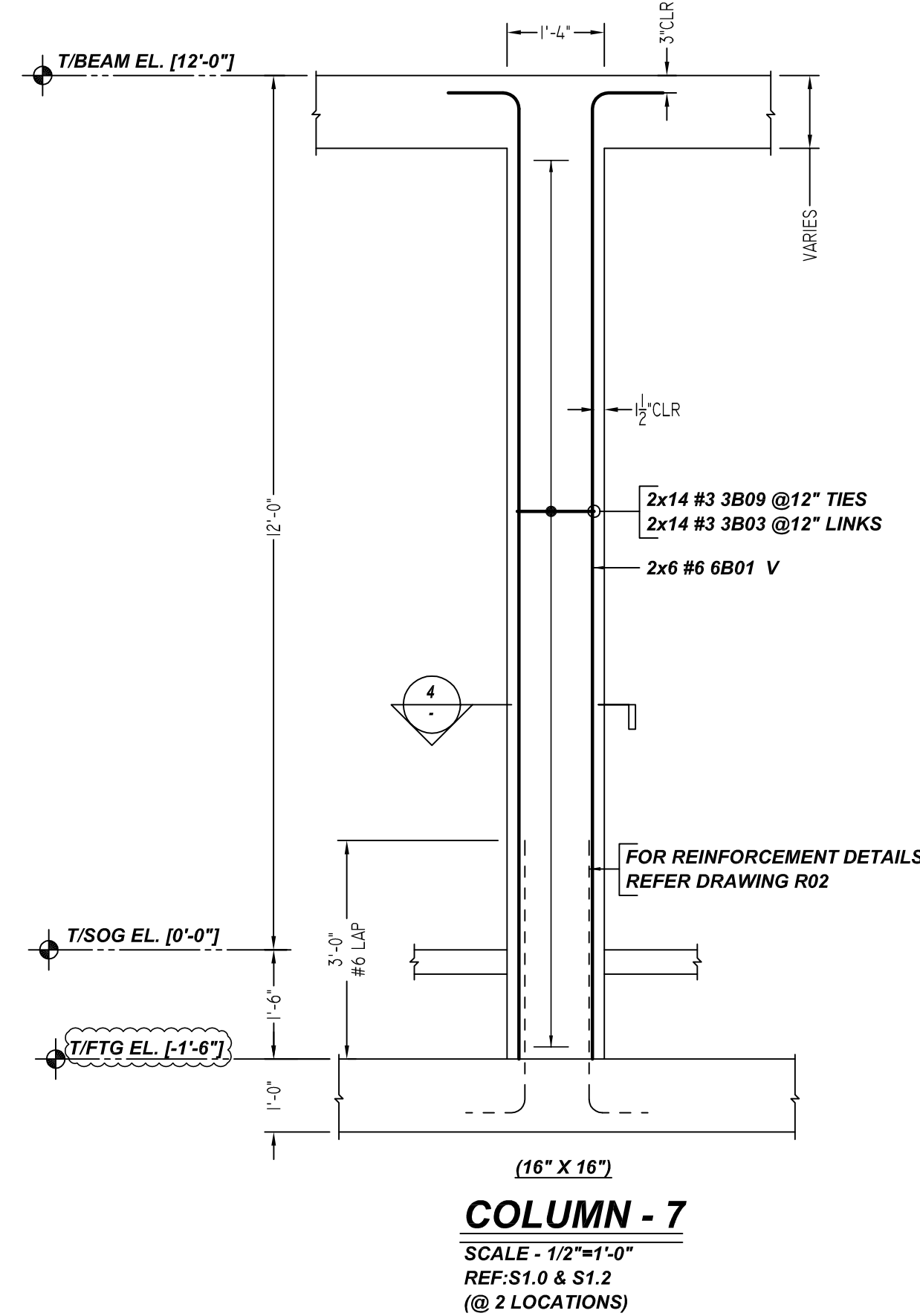
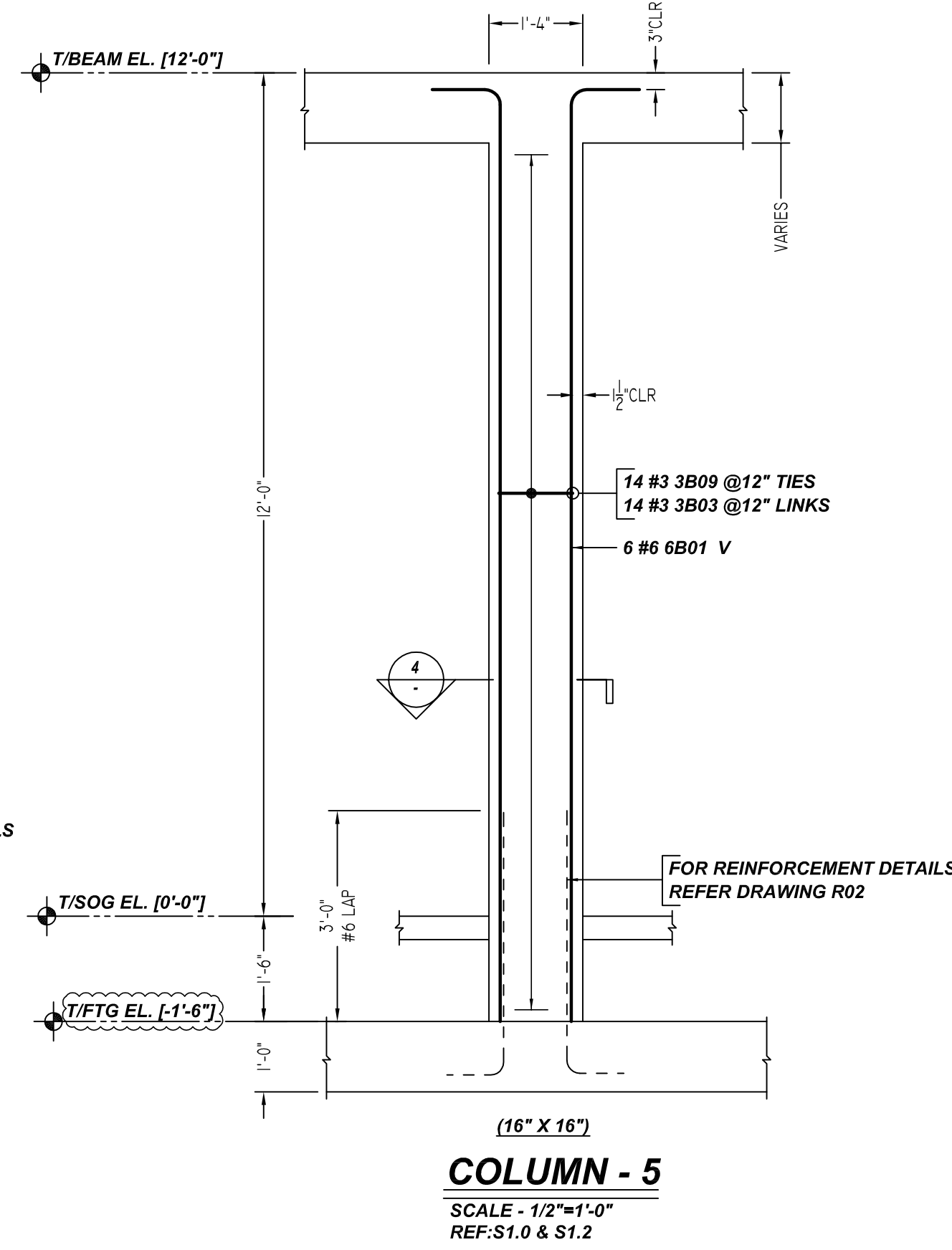
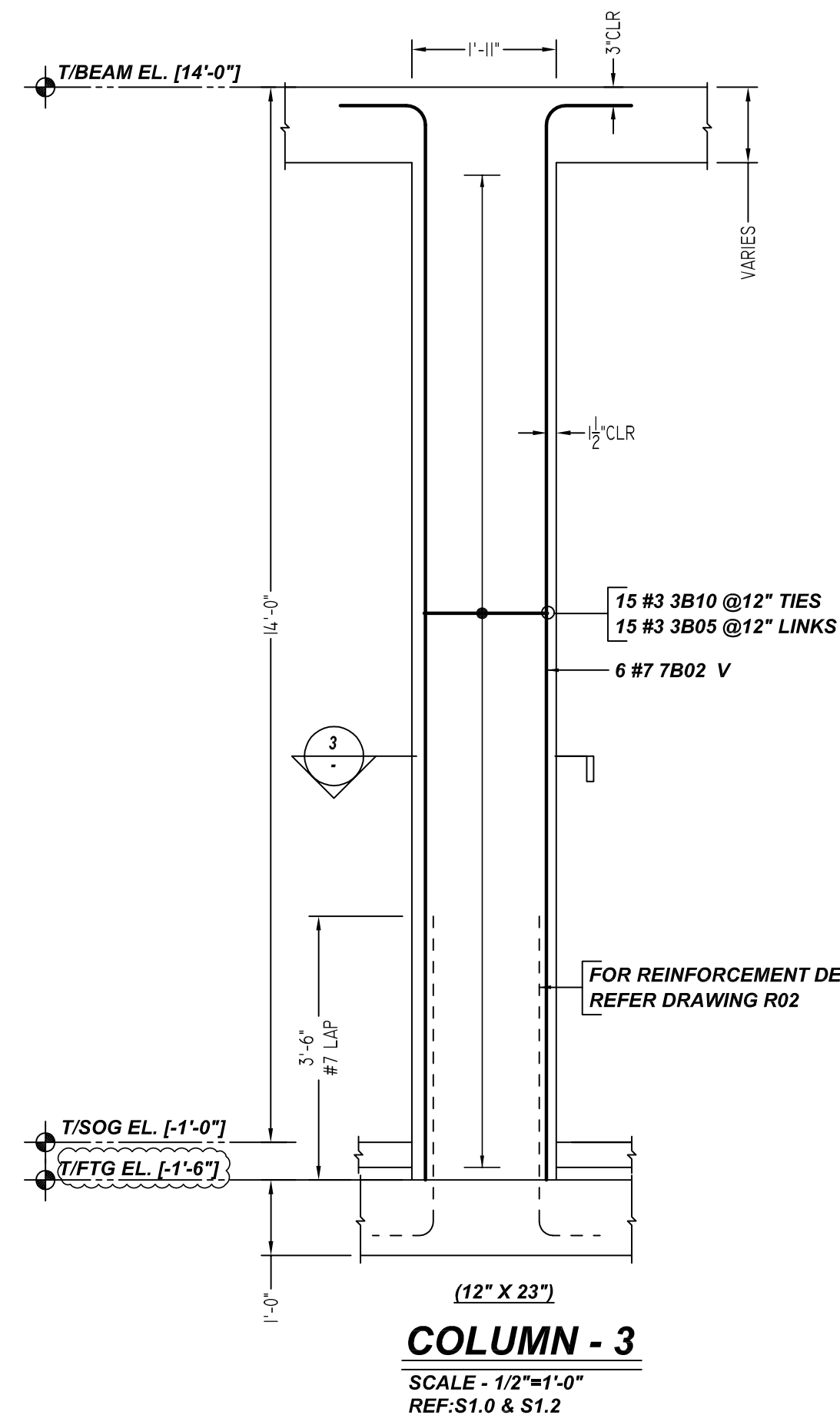
LOCATION	MIN. COVER
FOOTING BOTTOM	3" CLR
FOOTING SIDE	3" CLR
COLUMN TIES	1/2" CLR

Bar Mark	Qty	Size	Total Length	Type	X	Y	Z	W	V	U	T	S	R	Q	P	O	N	M	L	K	J	I	H	G	F	E	D	C	B	A
3B01	21	#3	1'-1 X	19	0'-4 X	0'-5																								
3B04	439	#3	3'-0 X	11	0'-4 X	0'-5	0'-9	0'-5	0'-9																					
3B11	21	#3	5'-8 X	11	0'-4 X	0'-5	2'-1	0'-5	2'-1																					
5B01	24	#5	16'-1 X	2	0'-10	15'-3 X																								
5B02	28	#5	14'-1 X	2	0'-10	13'-3 X																								
5B03	4	#5	11'-3 X	2	0'-10	10'-5 X																								
5B04	12	#5	15'-1 X	2	0'-10	14'-3 X																								
5B05	8	#5	13'-1 X	2	0'-10	12'-3 X																								
6B02	6	#6	15'-3 X	2	1'-0	14'-3 X																								



KEY PLAN
SCALE - NTS
REF:S1.0

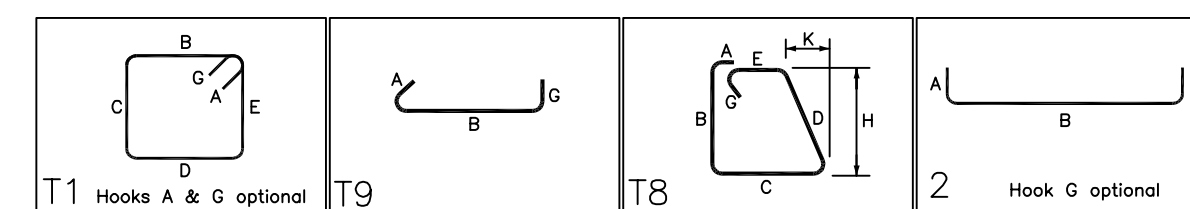
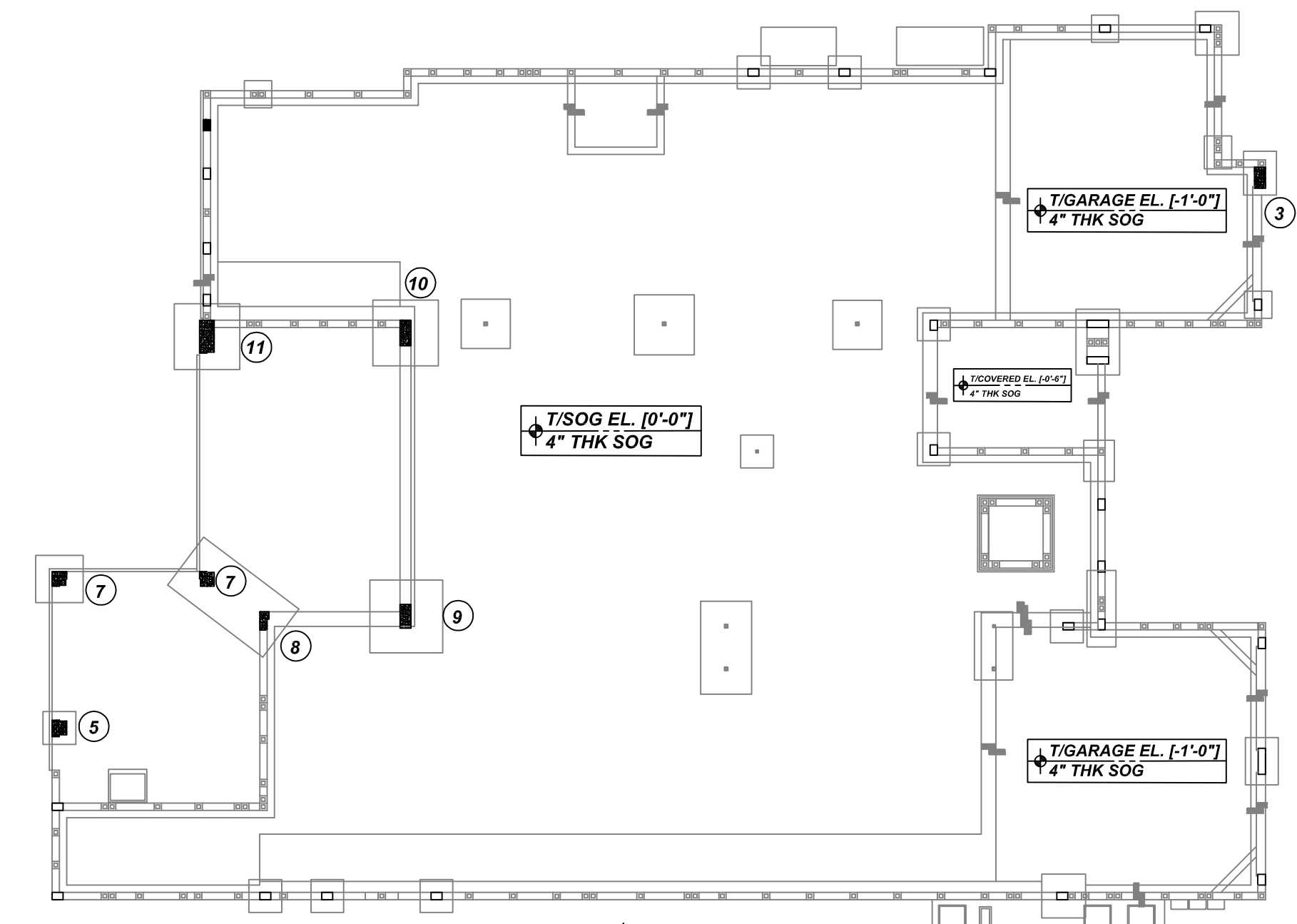
GRADE	60 A615					
PREFIX						
BAR LIST NOS.						
MK	REVISION	DATE	NO.	TO	FOR	DATE
0	FOR APPROVAL	10/28/21				
PRINT RECORD						
FIRST FLOOR COLUMN REINFORCEMENT DETAILS						
CUSTOMER STUBER CONSTRUCTION						
JOB SHINN PLANS						
LOCATION DELRAY BEACH, FLORIDA 33445						
DRAWN	DATE	CONTROL CODE	DWG. NO.			
SRN/MET	10/28/21	-	R04			



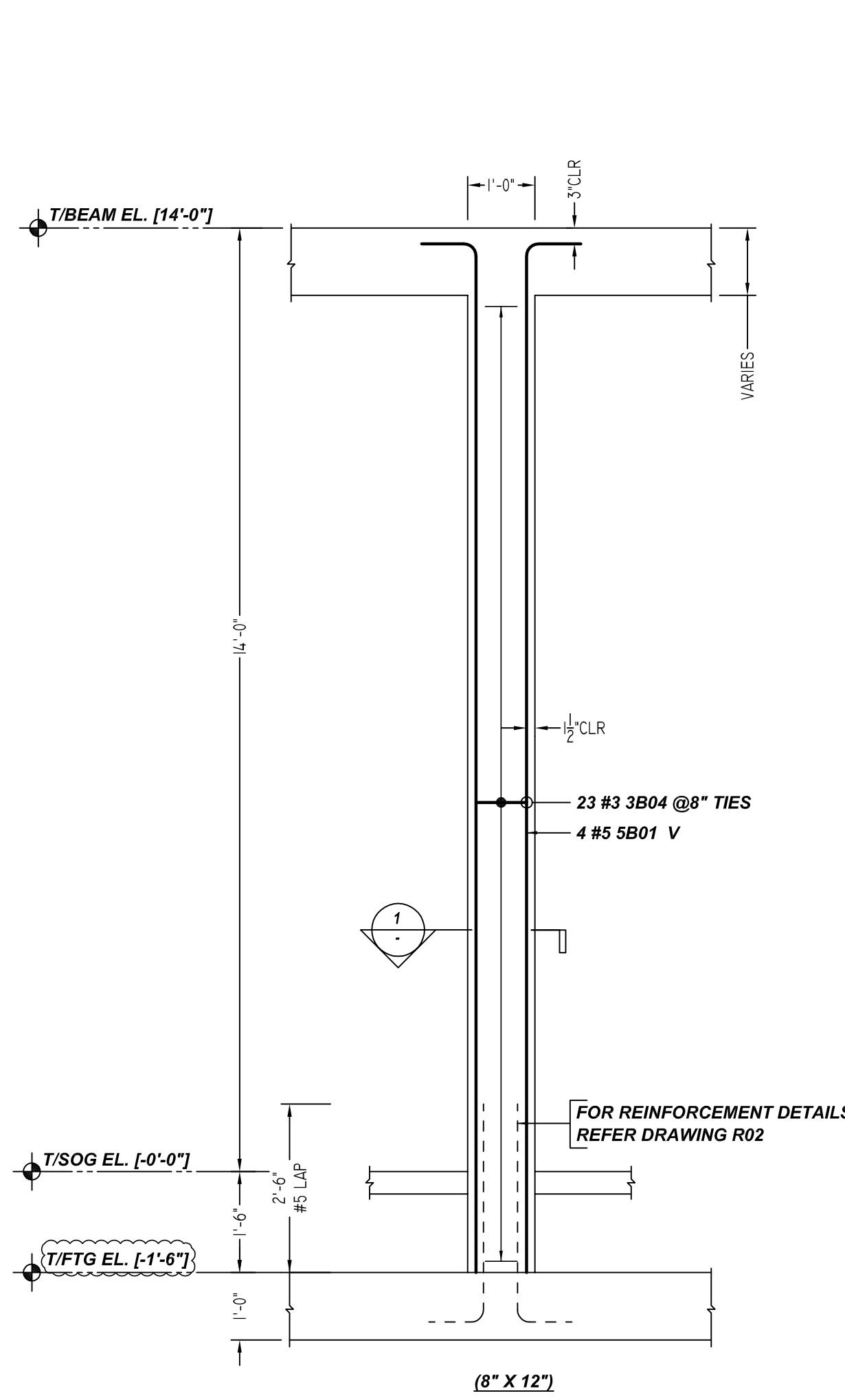
Bar Mark	Qty	Size	Total Length	Type	X	Y	Z	W	V	U	T	S	R	Q	P
3802	23	#3	8'-4.8"	T1	0'-4.8"	2'-9"	1'-1"	2'-9"	1'-1"						
3803	88	#3	1'-9.8"	T9	0'-4.8"	1'-1"									
3805	47	#3	1'-5.8"	T9	0'-4.8"	0'-9"									
3806	16	#3	6'-0.8"	T1	0'-4.8"	1'-11"	0'-9"	1'-11"	0'-9"						
3807	23	#3	2'-4.8"	T9	0'-4"	0'-5"	0'-5"	0'-5.8"	0'-2.8"						
3808	23	#3	4'-4.8"	T1	0'-4.8"	1'-5"	0'-5"	1'-5"	0'-5"						
3809	42	#3	5'-0.8"	T1	0'-4.8"	1'-1"	1'-1"	1'-1"	1'-1"						
3810	15	#3	5'-6.8"	T1	0'-4.8"	0'-9"	1'-8"	0'-9"	1'-8"						
3812	16	#3	6'-4.8"	T1	0'-4.8"	0'-9"	2'-1"	0'-9"	2'-1"						
5801	6	#6	16'-1.8"	2	0'-10"	15'-3.8"									
6801	18	#6	14'-3.8"	2	1'-0"	15'-3.8"									
7801	12	#7	16'-5.8"	2	1'-2"	15'-3.8"									
7802	6	#7	15'-5.8"	2	1'-2"	14'-3.8"									

SIZE	48 Ø LAP
#3	18"
#4	24"
#5	30"
#6	36"
#7	42"
#8	48"
#9	55"
#10	61"
#11	68"

LOCATION	MIN. COVER
FOOTING BOTTOM	3" CLR
FOOTING SIDE	3" CLR
COLUMN TIES	1/2" CLR

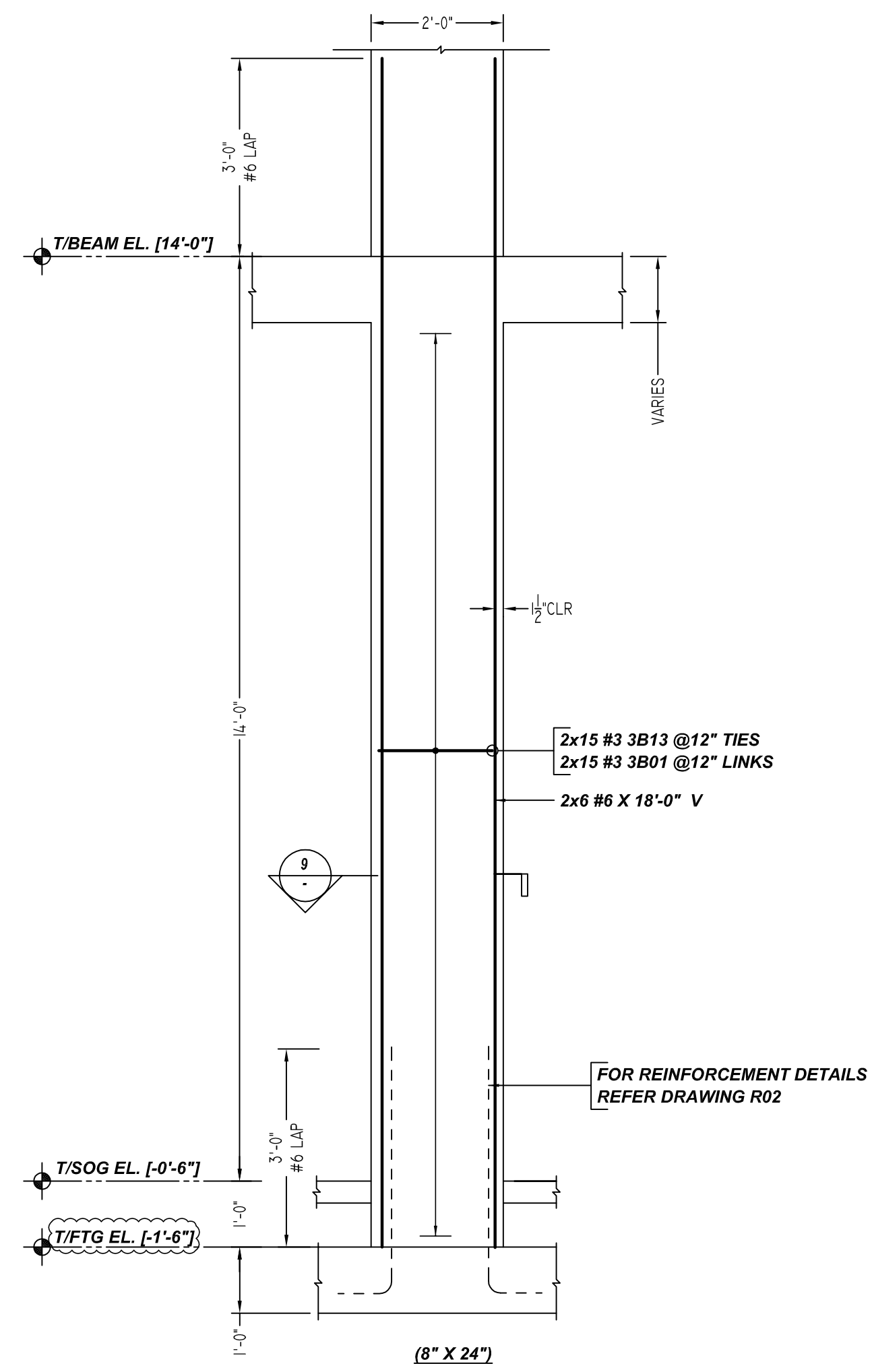


GRADE	60 A615					
PREFIX						
BAR LIST NOS.						
MK	REVISION	DATE	NO.	TO	FOR	DATE
0	FOR APPROVAL	10/28/21				
FIRST FLOOR COLUMN REINFORCEMENT DETAILS						
CUSTOMER STUBER CONSTRUCTION						
JOB SHINN PLANS						
LOCATION DELRAY BEACH, FLORIDA 33445						
DRAWN	DATE	CONTROL CODE	DWG. NO.			
SRN/MET	10/28/21	-	R05			



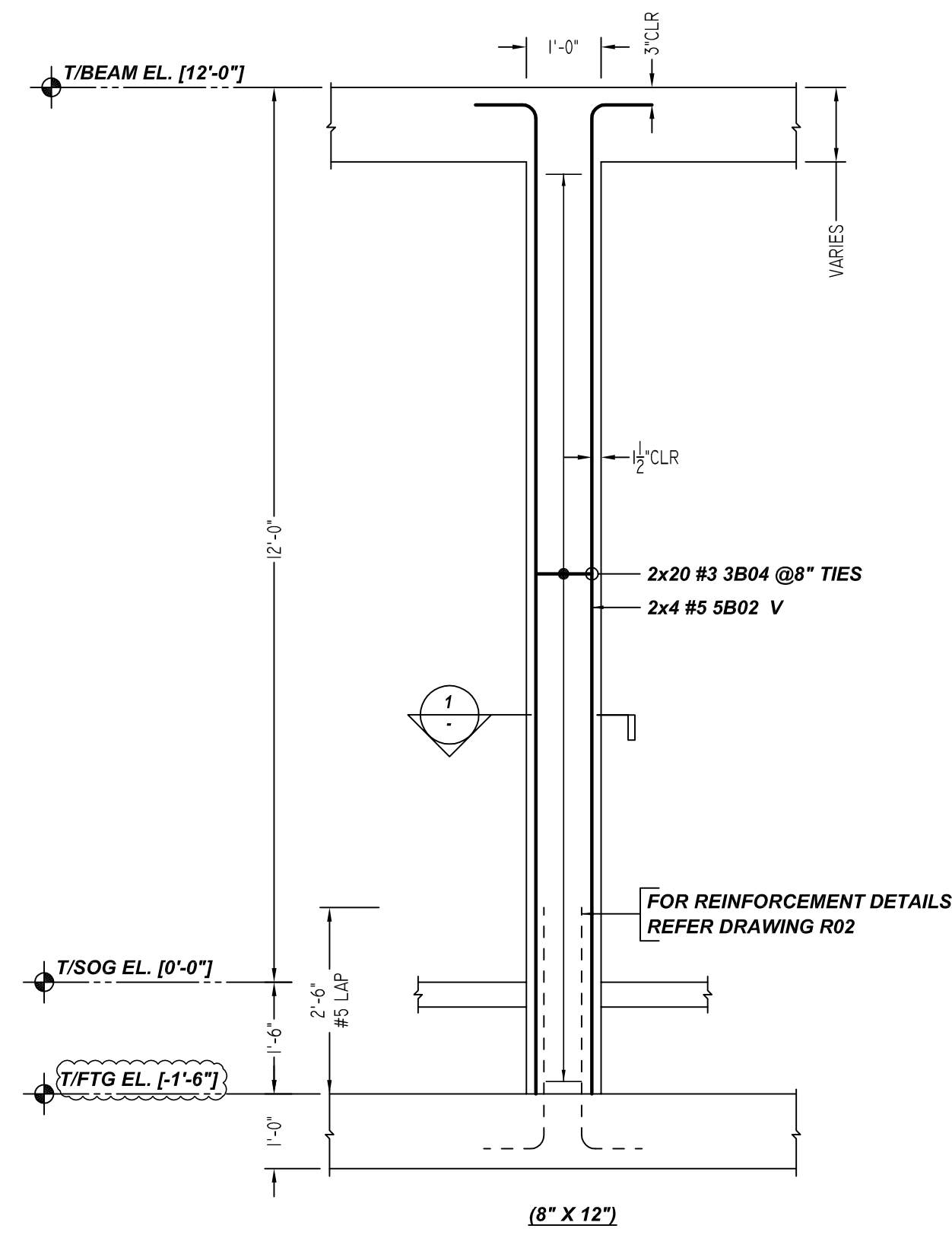
COLUMN - 12

SCALE - 1/2"=1'-0"
REF: S1.0 & S1.2



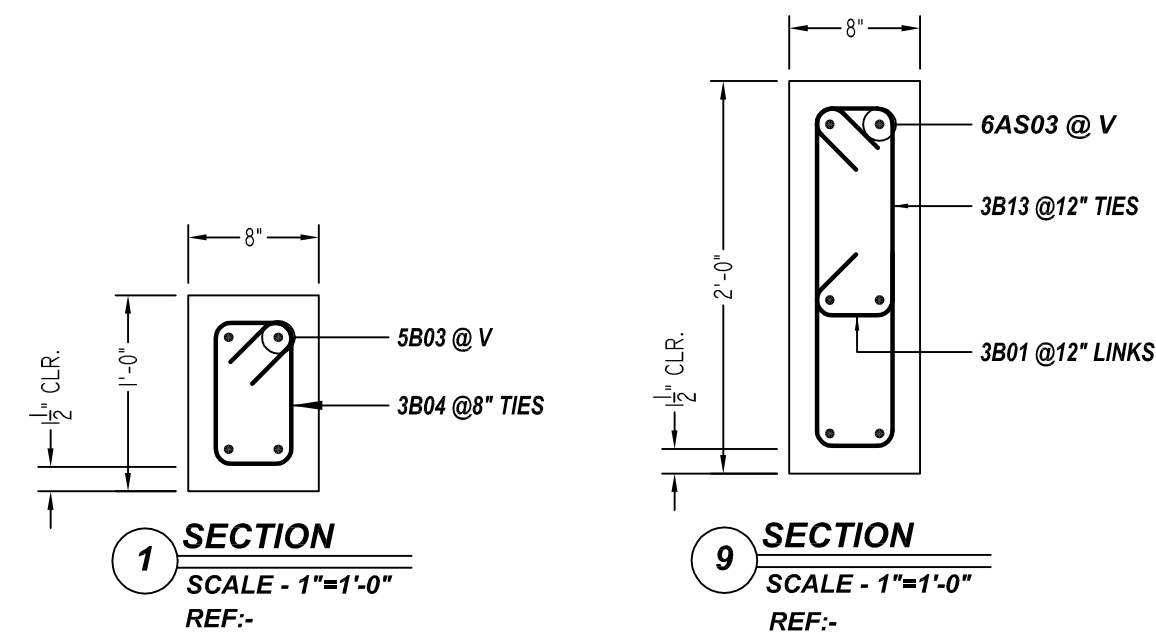
COLUMN - 15

SCALE - 1/2"=1'-0"
REF: S1.0 & S1.2
(@ 2 LOCATIONS)



COLUMN - 25

SCALE - 1/2"=1'-0"
REF: S1.0 & S1.2
(@ 2 LOCATIONS)

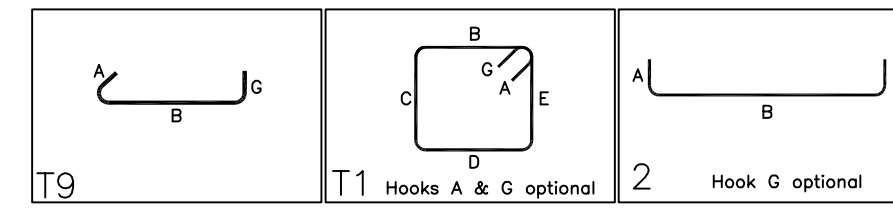


SECTION 1
SCALE - 1"=1'-0"
REF:-

SECTION 9
SCALE - 1"=1'-0"
REF:-

Release Number: R06

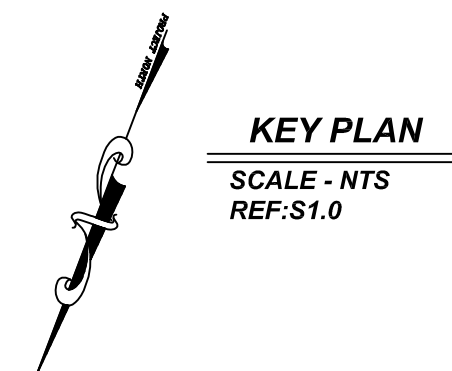
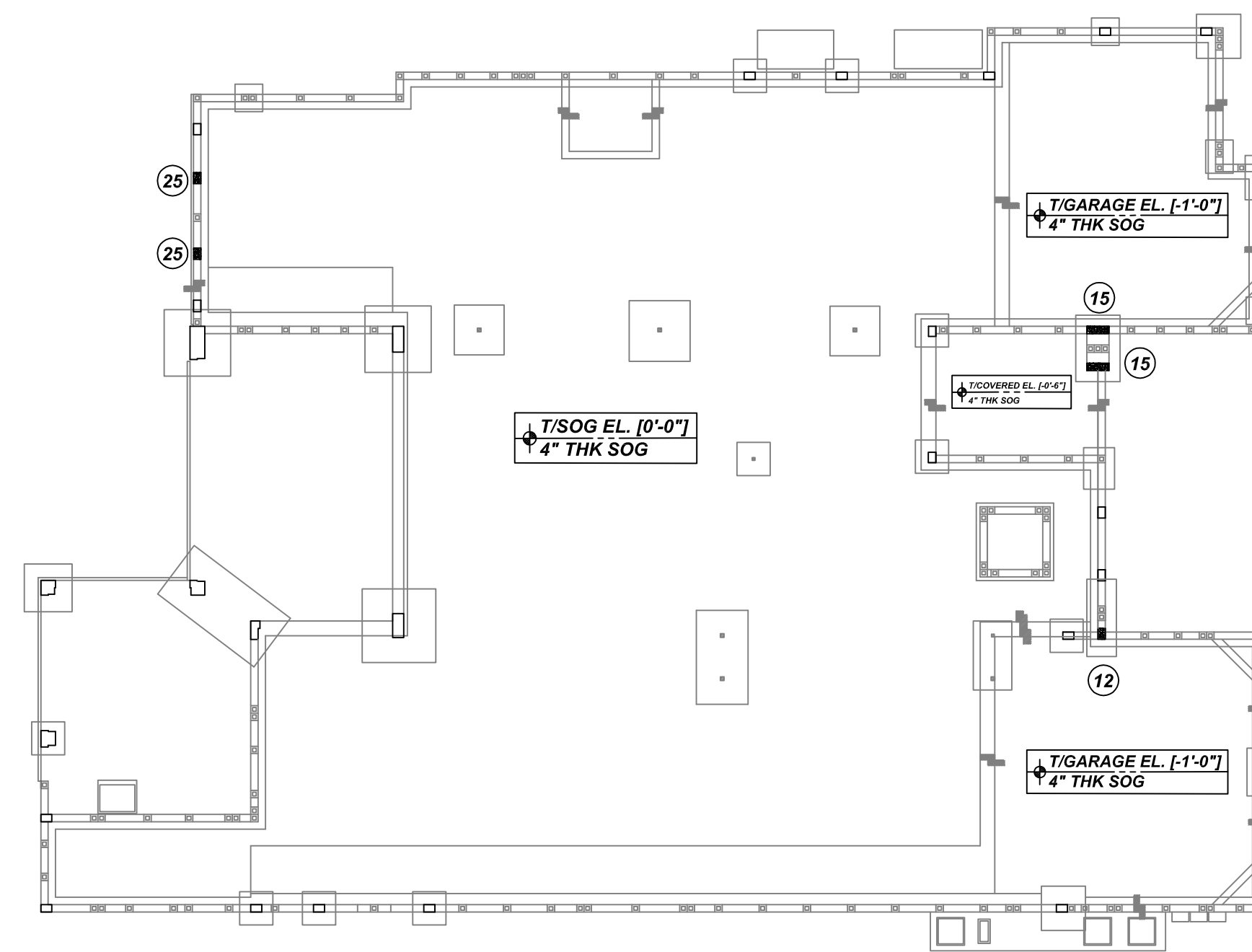
Bar Mark	Qty	Size	Total Length	Type	X'	Y'	Z'	X'	Y'	Z'	X'	Y'	Z'	X'	Y'	Z'
3B01	30	#3	1'-1 X'	T9	0'-4 X'	0'-5"		0'-5"	0'-9"	0'-5"	0'-4 X'					
3B04	63	#3	3'-0 X'	T1	0'-4 X'	0'-5"	0'-9"	0'-5"	0'-9"	0'-4 X'						
3B13	30	#3	5'-0 X'	T1	0'-4 X'	0'-5"	1'-9"	0'-5"	1'-9"	0'-4 X'						
5B01	4	#5	16'-1 X'	Z	0'-10"	15'-3 X'										
5B02	8	#5	14'-1 X'	Z	0'-10"	13'-3 X'										



FOR COLUMN

SIZE	48 Ø LAP
#3	18"
#4	24"
#5	30"
#6	36"
#7	42"
#8	48"
#9	55"
#10	61"
#11	68"

LOCATION	MIN. COVER
FOOTING BOTTOM	3" CLR
FOOTING SIDE	3" CLR
COLUMN TIES	1/2" CLR



GRADE	60 A615	PRINT RECORD	
PREFIX		NO.	TO FOR DATE
BAR LIST NOS.			
MK	REVISION	DATE	
0	FOR APPROVAL	10/28/21	
FIRST FLOOR COLUMN REINFORCEMENT DETAILS			
CUSTOMER		STUBER CONSTRUCTION	
JOB		SHINN PLANS	
LOCATION		DELRAY BEACH, FLORIDA 33445	
DRAWN	DATE	CONTROL CODE	DWG. NO.
SRN/MET	10/28/21	-	R06