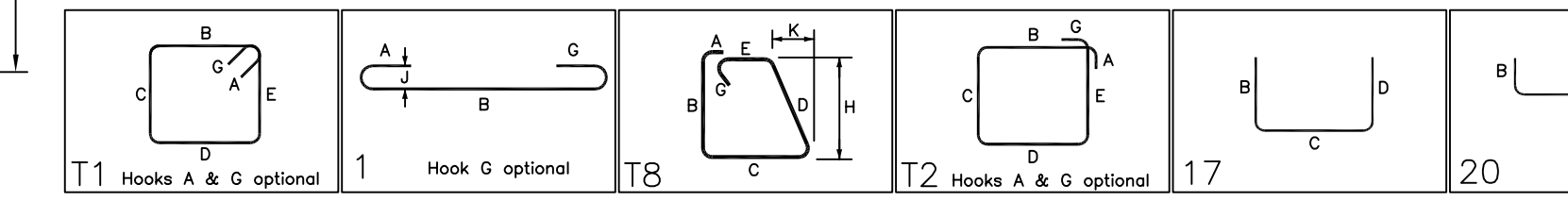


Bar Mark Qty Size Total Length Type X' Y' Z' W' V' U' T' S' R' Q' P' O' N' M' L' K' J' I' H' G' F' E' D' C' B' A'

Bar Mark	Qty	Size	Total Length	Type	X'	Y'	Z'	W'	V'	U'	T'	S'	R'	Q'	P'	O'	N'	M'	L'	K'	J'	I'	H'	G'	F'	E'	D'	C'	B'	A'
3B01	42	#3	3'-0"	T1	0'-4"	0'-9"	0'-5"	0'-9"	0'-5"																					
3B02	16	#3	1'-3"	1	0'-5"	0'-5"	0'-5"	0'-5"	0'-5"																					
3B03	16	#3	4'-0"	T1	0'-4"	1'-3"	0'-5"	1'-3"	0'-5"																					
3B04	32	#3	3'-3"	T8	0'-4"	0'-5"	1'-0"	0'-5"	0'-5"																					
3B05	56	#3	3'-6"	T2	0'-4"	0'-9"	0'-9"	0'-9"	0'-9"																					
3B06	56	#3	5'-0"	T2	0'-4"	1'-1"	1'-1"	1'-1"	1'-1"																					
3B07	9	#3	3'-0"	T1	0'-4"	0'-9"	0'-5"	0'-9"	0'-5"																					
3B08	18	#5	6'-0"	T1		3'-0"	3'-0"																							
3B09	14	#5	3'-6"	T2		0'-4"	2'-5"	0'-9"																						
3B10	40	#5	4'-1"	T2		0'-5"	2'-11"	0'-9"																						
3B11	4	#5	5'-6"	2		0'-10"	3'-10"																							
3B12	3	#5	6'-11"	3		2'-6"	1'-5"	3'-0"																						
3B13	3	#5	6'-5"	3		2'-6"	1'-5"	2'-6"																						
3B14	3	#5	10'-10"	17		3'-0"	7'-10"																							
3B15	3	#5	9'-4"	20		3'-0"	3'-4"	3'-0"																						
3B16	3	#5	9'-4"	3		2'-6"	1'-5"	5'-6"																						
3B17	10	#5	7'-11"	3		2'-6"	2'-11"	2'-6"																						
3B18	3	#5	10'-0"	3		2'-6"	5'-0"	2'-6"																						
3B19	4	#5	11'-1"	3		2'-8"	5'-11"	2'-6"																						
3B20	3	#5	9'-6"	3		2'-5"	3'-6"	3'-5"																						
3B21	4	#5	8'-6"	3		2'-6"	2'-11"	3'-9"																						
3B22	4	#5	8'-6"	3		3'-0"	2'-11"	2'-6"																						
3B23	6	#5	4'-7"	2		0'-10"	3'-9"																							
3B24	12	#5	13'-0"	2		0'-10"	12'-2"																							
3B25	8	#5	15'-11"	2		0'-10"	15'-1"																							
3B26	1	#5	8'-4"	17		3'-0"	5'-4"																							
3B27	38	#6	5'-0"	2		1'-0"	4'-0"																							
3B28	1	#6	4'-6"	8		1'-0"	2'-6"																							



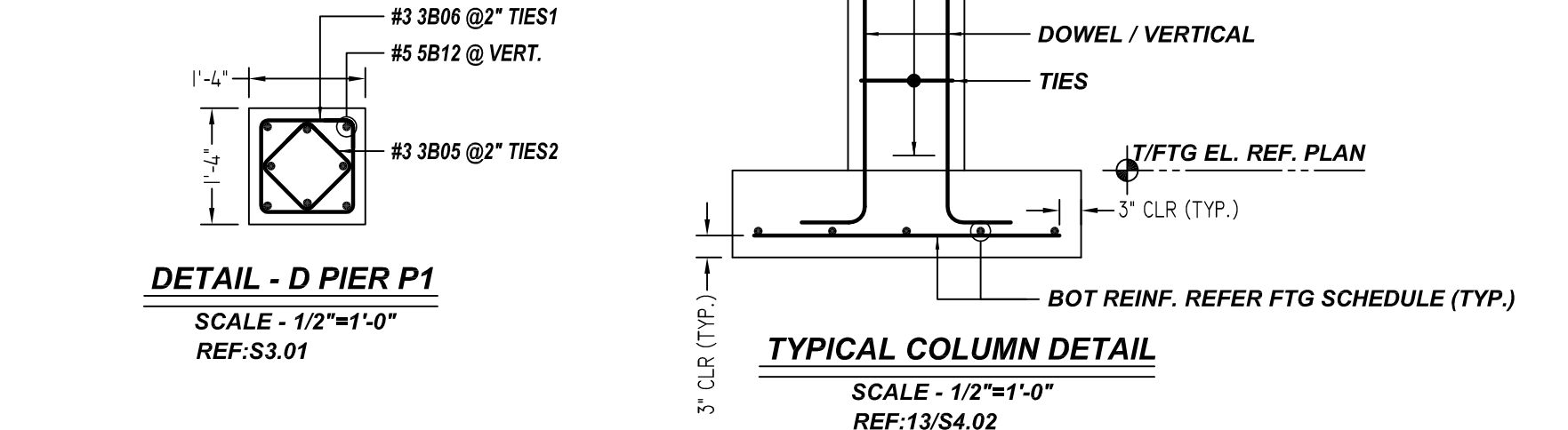
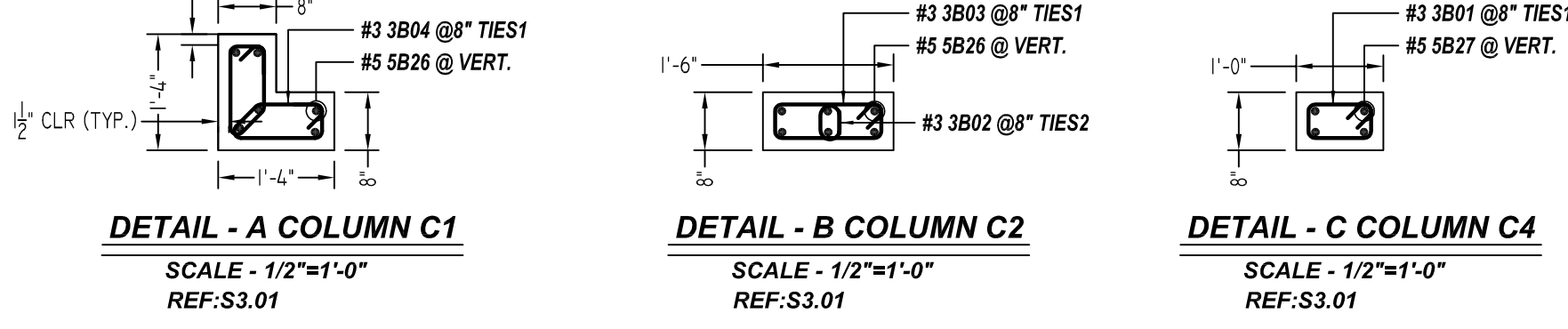
LAP SCHEDULE
3000 PSI

SIZE	TOP	OTHERS
#3	28"	22"
#4	37"	29"
#5	47"	36"
#6	56"	43"
#7	81"	63"
#8	93"	72"
#9	105"	81"
#10	118"	91"
#11	131"	101"

TYPICAL REINFORCING BAR CLEARANCE TABLE

LOCATION	MIN. COVER
FOUNDATION	3" CLR
SLAB	3/4" CLR
END COVER	2" CLR
COLUMN COVER	1 1/2" CLR

**ALL BARS IN THIS DRAWING
ASTM A615 GRADE 60
BLACK UNCOATED**



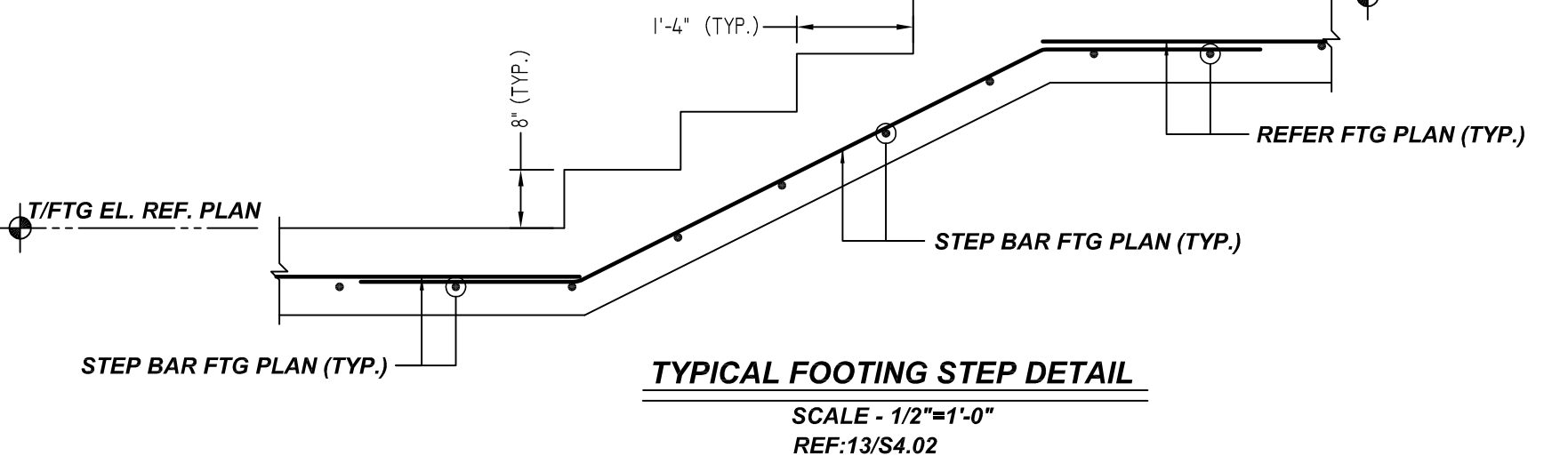
PIER SCHEDULE

MARK	QTY	SIZE	T/ COLUMN	VERTS	TIES & ADD'L TIES	REMARK
P1	5	16" X 16"	EL.0'-0"	5x8 #5 SB12 VERT.	4x14 #3 3B06 @2" TIES1 4x14 #3 3B05 @2" TIES2	DETAIL-D
C1	1	8" X 16" X 16"	EL.10'-0"	6 #5 SB25 VERT. 6 #5 SB26 VERT.	2x16 #3 3B04 @8" TIES1	DETAIL-A
C2	1	8" X 18"	EL.10'-0"	6 #5 SB03 VERT. 6 #5 SB26 VERT.	16 #3 3B03 @8" TIES1 16 #3 3B02 @8" TIES2	DETAIL-B
C4	2	16" X 16"	EL.13'-3"	2x4 #5 SB03 VERT. 2x4 #5 SB27 VERT.	2x21 #3 3B01 @8" TIES1	DETAIL-C

A/E PLEASE VERIFY THE COLUMN LEVEL WE PROVIDED (TYP.)

FOOTING SCHEDULE

MARK	QTY	SIZE	REINFORCING	REMARK
F30	4	3'-0" X 3'-0" X 12"	4x2x4 #5 X 2'-6" B EW	-
F40	4	4'-0" X 4'-0" X 12"	4x2x5 #5 X 3'-6" B EW	-
F60	1	6'-0" X 6'-0" X 15"	2x7 #6 X 5'-6" B EW	-
GB1	1	14" X 12"	2x2 #5 SB13 T&B 9 #3 3B07 @6" TIES	-



GRADE 60 A615

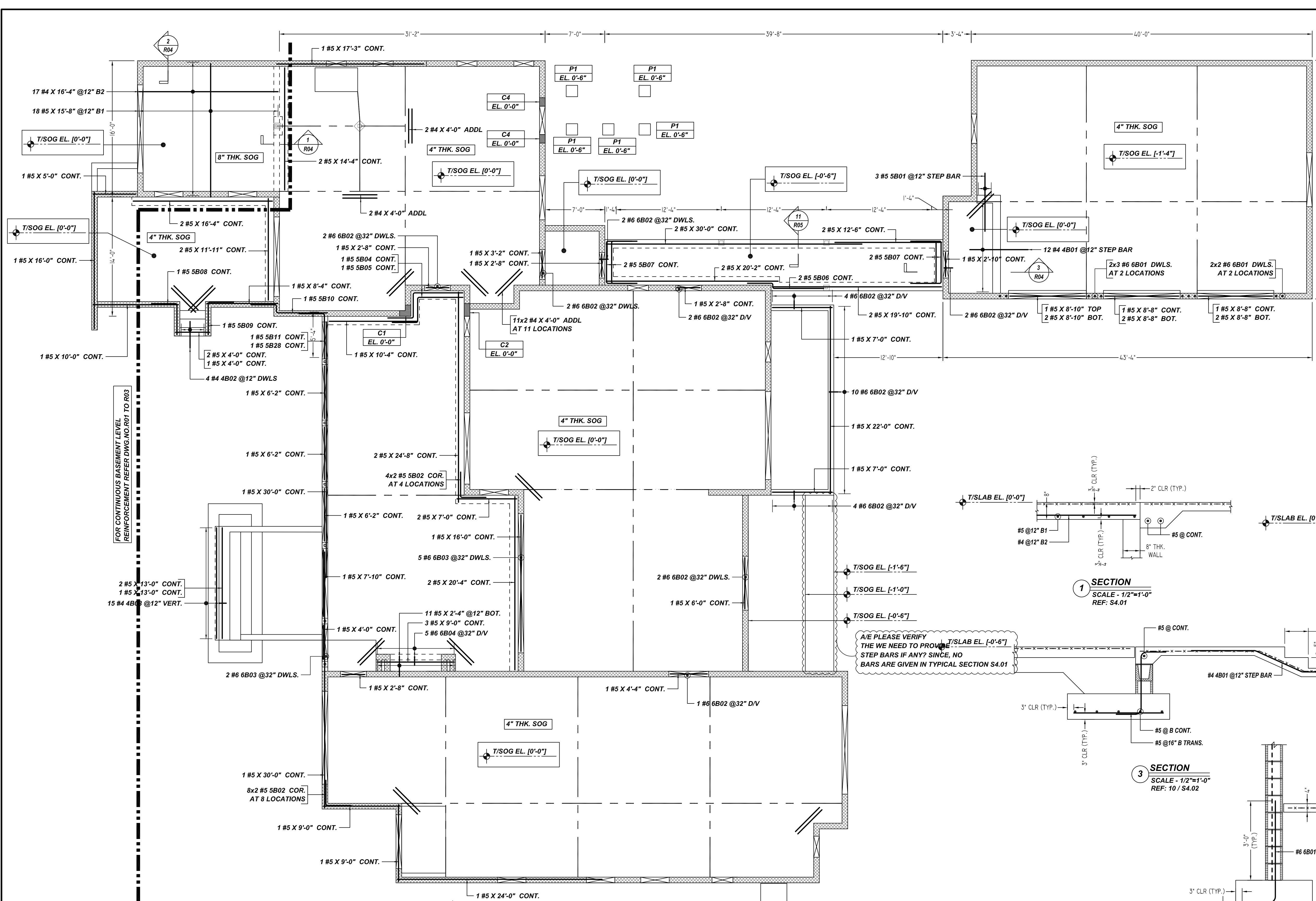
PRINT RECORD

NO.	TO	FOR	DATE

FOUNDATION REINFORCEMENT DETAILS

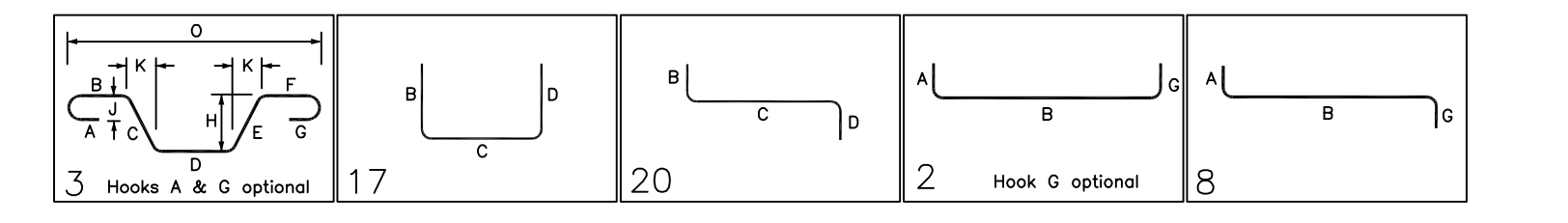
CUSTOMER MR. AND MRS. DARREN AND PAIGE RIOPELLE
JOB RIOPELLE RESIDENCE SEAWALL'S POINT
LOCATION 79 S RIVER ROAD, SEAWALL'S POINT, FL 34996

DRAWN DATE CONTROL CODE DWG. NO.
RPR/MET 10/20/2021 - R04



Drawing Sheet: R05

Bar Mark	Qty	Size	Total Length	Type	X'	Y'	Z'	BENDING DETAILS
8001	12	#4	7'-0"	3				
8002	12	#4	5'-4"	3				
8003	12	#4	3'-3"	3				
8004	3	#5	7'-0"	3				
8005	60	#5	6'-0"	17				
8006	1	#5	11'-4"	20				
8007	1	#5	11'-0"	20				
8008	2	#5	3'-8"	20				
8009	4	#5	11'-0"	17				
8010	1	#5	6'-4"	17				
8011	1	#5	10'-0"	20				
8012	1	#5	7'-0"	17				
8013	20	#6	5'-0"	2				
8014	30	#6	4'-8"	8				
8015	7	#6	7'-4"	8				
8016	3	#6	5'-0"	2				



**ALL BARS IN THIS DRAWING
ASTM A615 GRADE 60
BLACK UNCOATED**

LAP SCHEDULE

SIZE	48 Ø LAP
#3	18"
#4	24"
#5	30"
#6	36"
#7	42"
#8	48"
#9	55"
#10	61"
#11	68"

LAP SCHEDULE

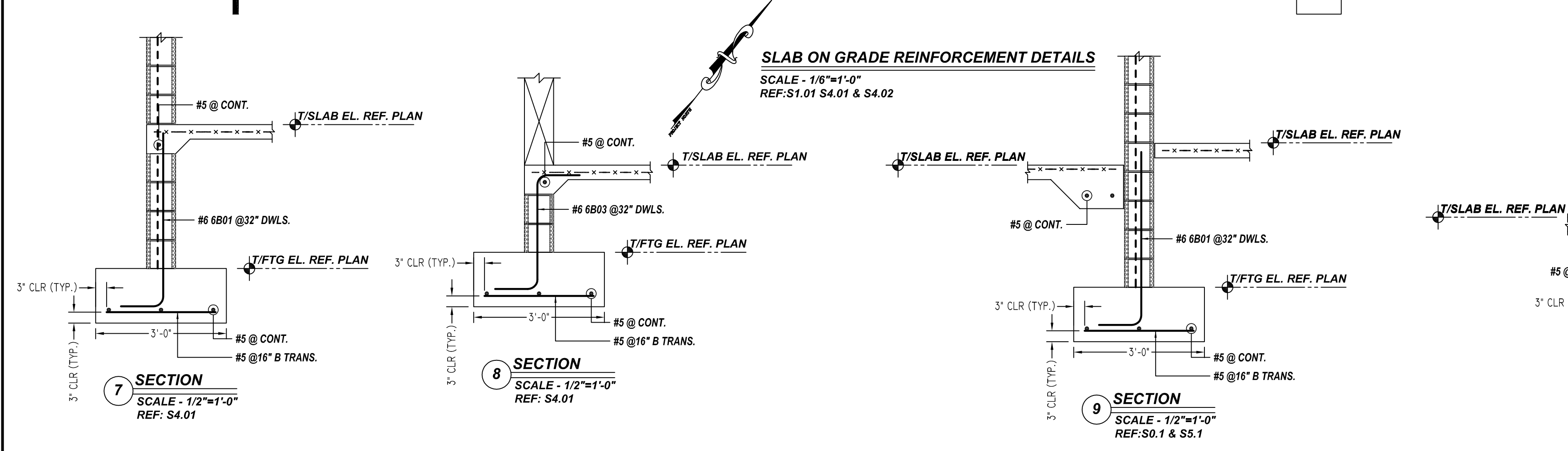
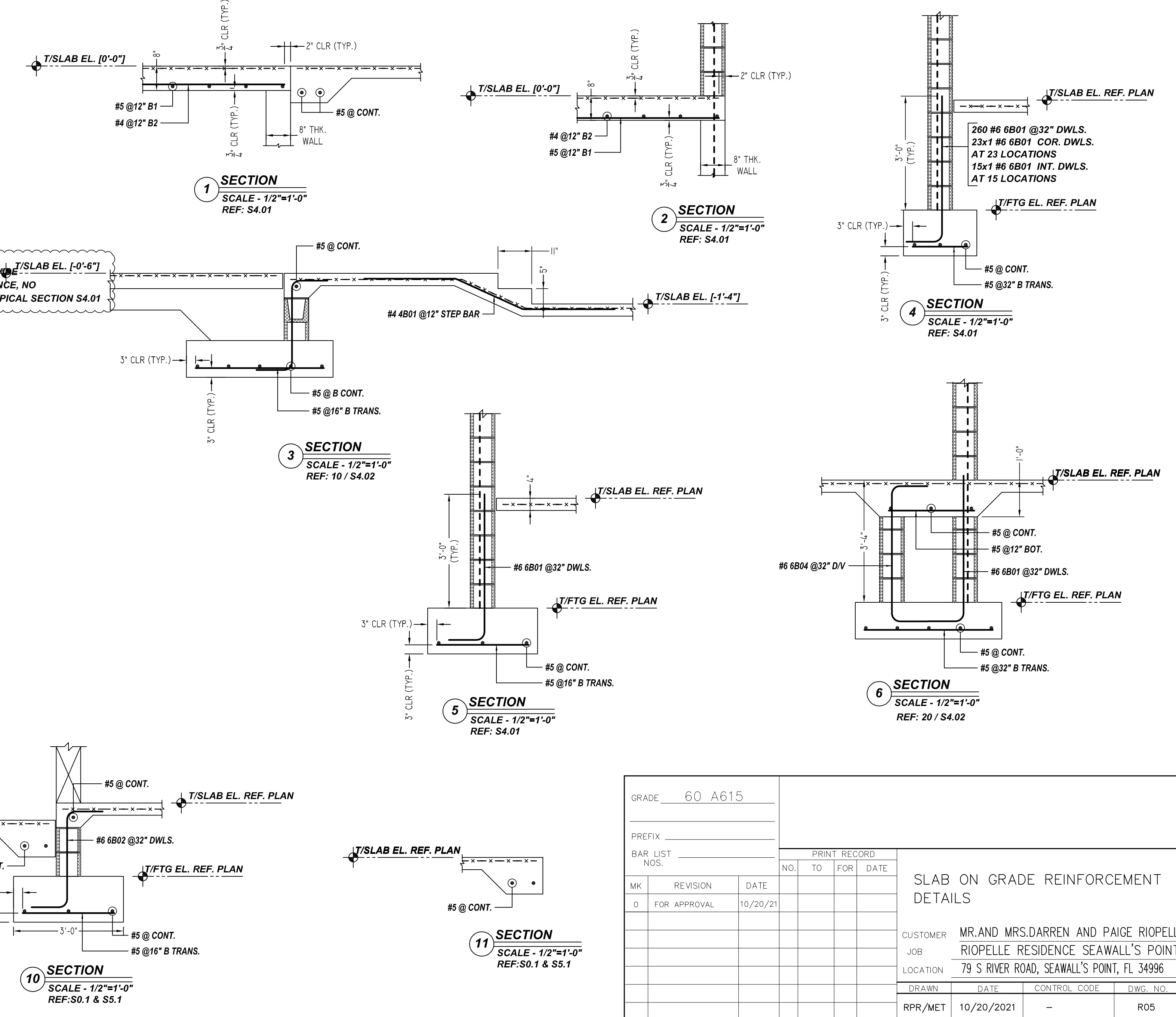
SIZE	3000 PSI	OTHERS
#3	28"	22"
#4	37"	29"
#5	47"	36"
#6	56"	43"
#7	61"	63"
#8	93"	72"
#9	105"	81"
#10	118"	91"
#11	131"	101"

TYPICAL REINFORCING BAR CLEARANCE TABLE

LOCATION	MIN. COVER
FOUNDATION	3" CLR
SLAB	3/4" CLR
END COVER	2" CLR
COLUMN COVER	1 1/2" CLR

MESH DETAILS

S. NO	ELEMENT	MESH SIZE	SHEETS	AREA	REMARK
1	5" THK SLAB ON GRADE	6x6 - W2.1XW2.1 WWF	60	7200 SQ.FT	8'-0" X 15'-0" SHEET SIZE (15% LAP ADDED)



GRADE 60 A615

PRINT RECORD

NO.	TO	FOR	DATE

SLAB ON GRADE REINFORCEMENT DETAILS

CUSTOMER: MR. AND MRS. DARREN AND PAIGE RIOPELLE
 JOB: RIOPELLE RESIDENCE SEAWALL'S POINT
 LOCATION: 79 S RIVER ROAD, SEAWALL'S POINT, FL 34996

DRAWN: RPR/MET DATE: 10/20/2021 CONTROL CODE: - DWG. NO.: R05