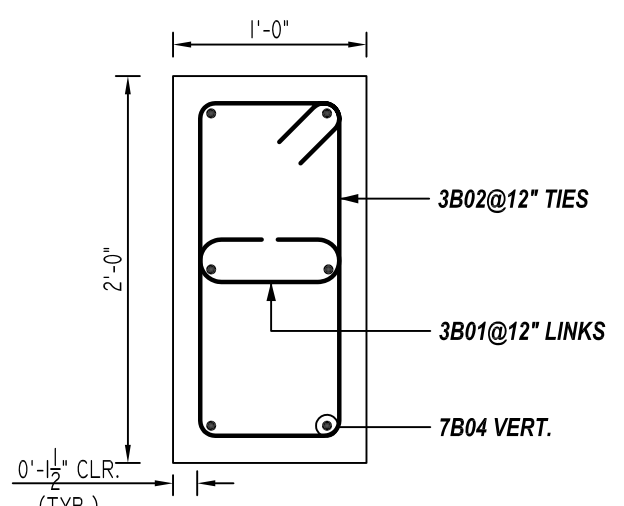
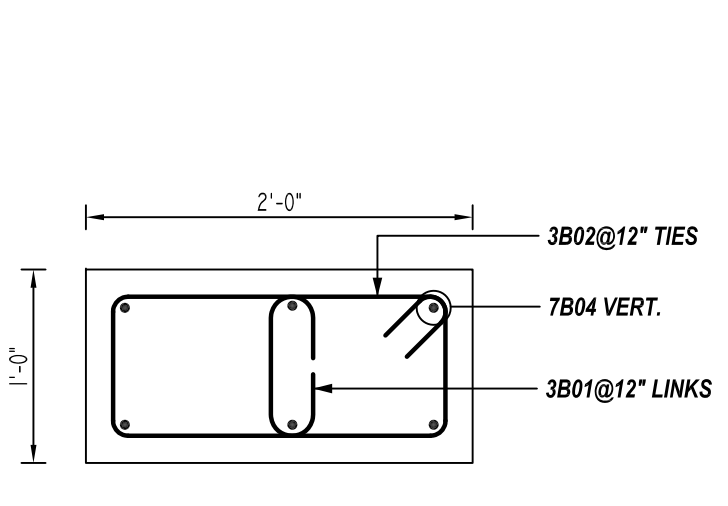


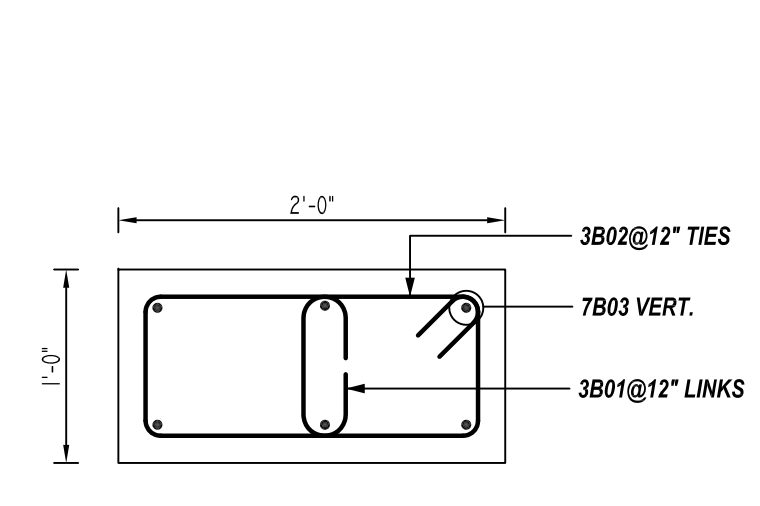
1 ST FLOOR SLAB REINFORCEMENT DETAILS
 REF: S-101.00(DT.05/19/22)
 SCALE: 1/8" = 1'-0"



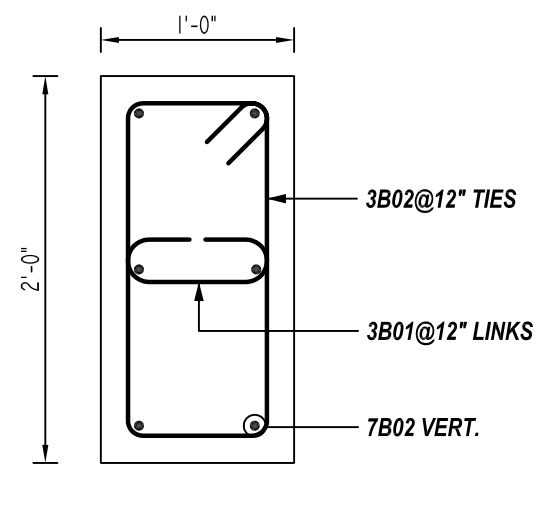
SECTION 1
 REF: S-302.00
 SCALE: 1/1" = 1'-0"



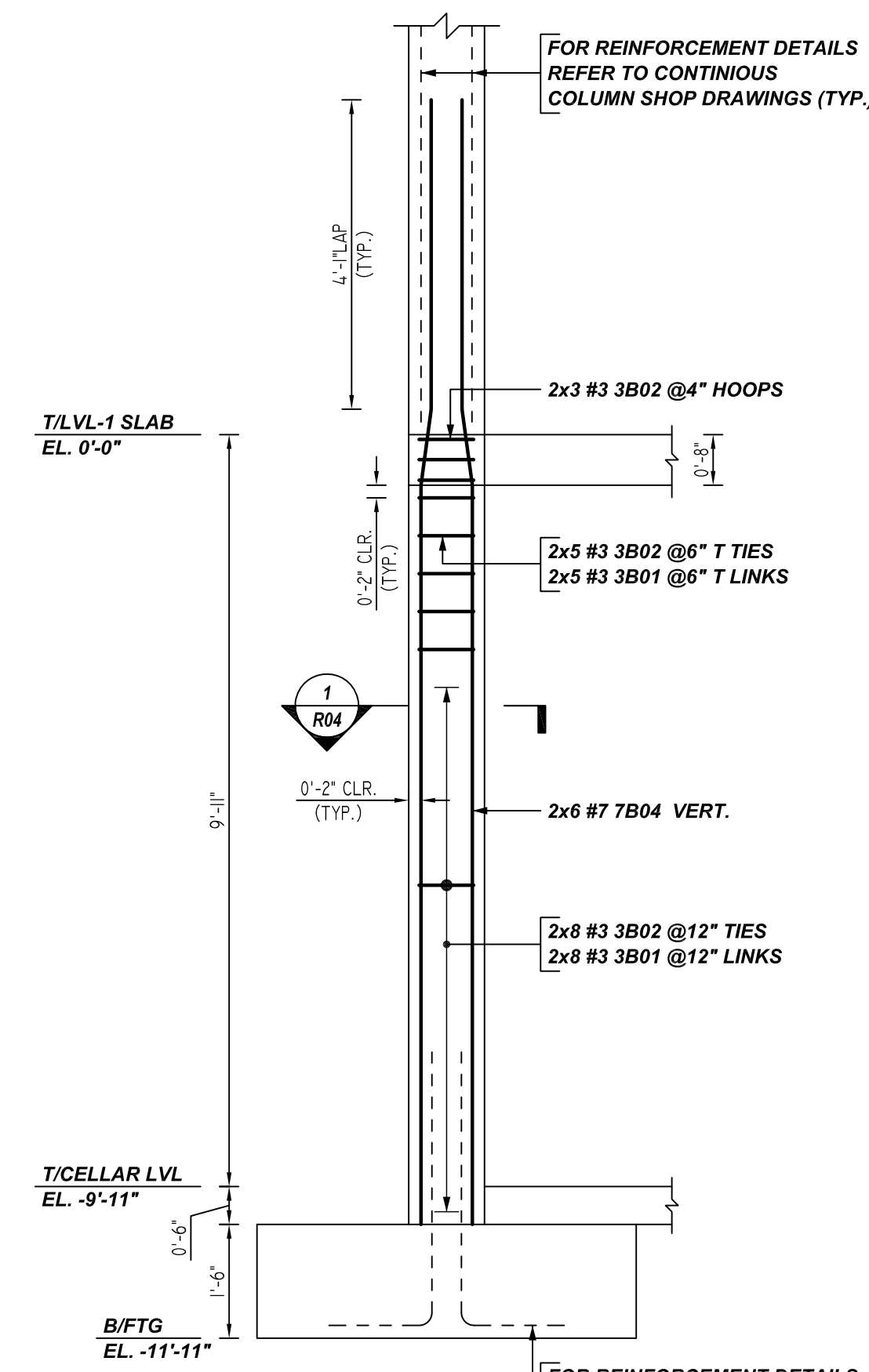
SECTION 2
 REF: S-302.00
 SCALE: 1/1" = 1'-0"



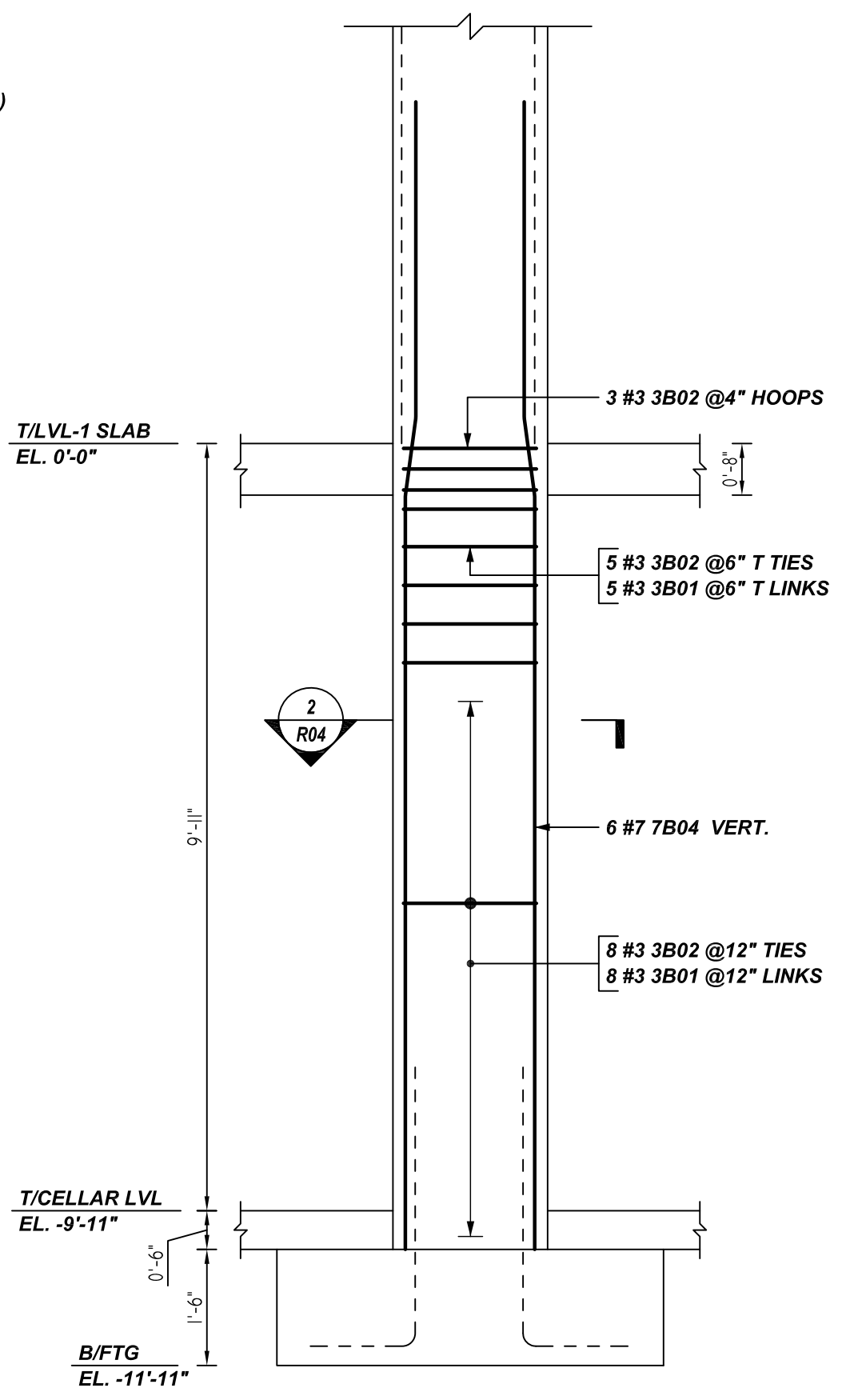
SECTION 3
 REF: S-302.00
 SCALE: 1/1" = 1'-0"



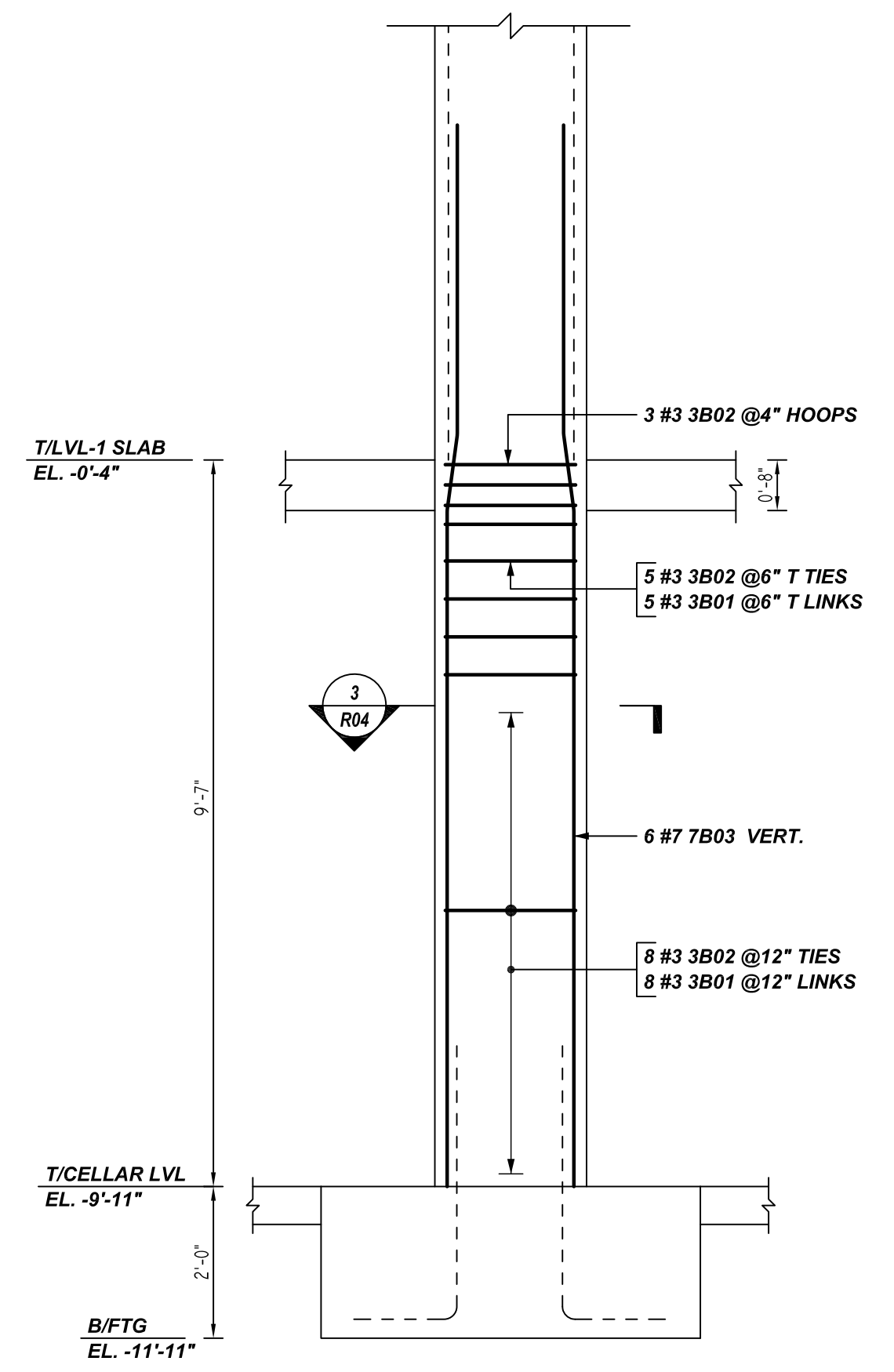
SECTION 4
 REF: S-302.00
 SCALE: 1/1" = 1'-0"



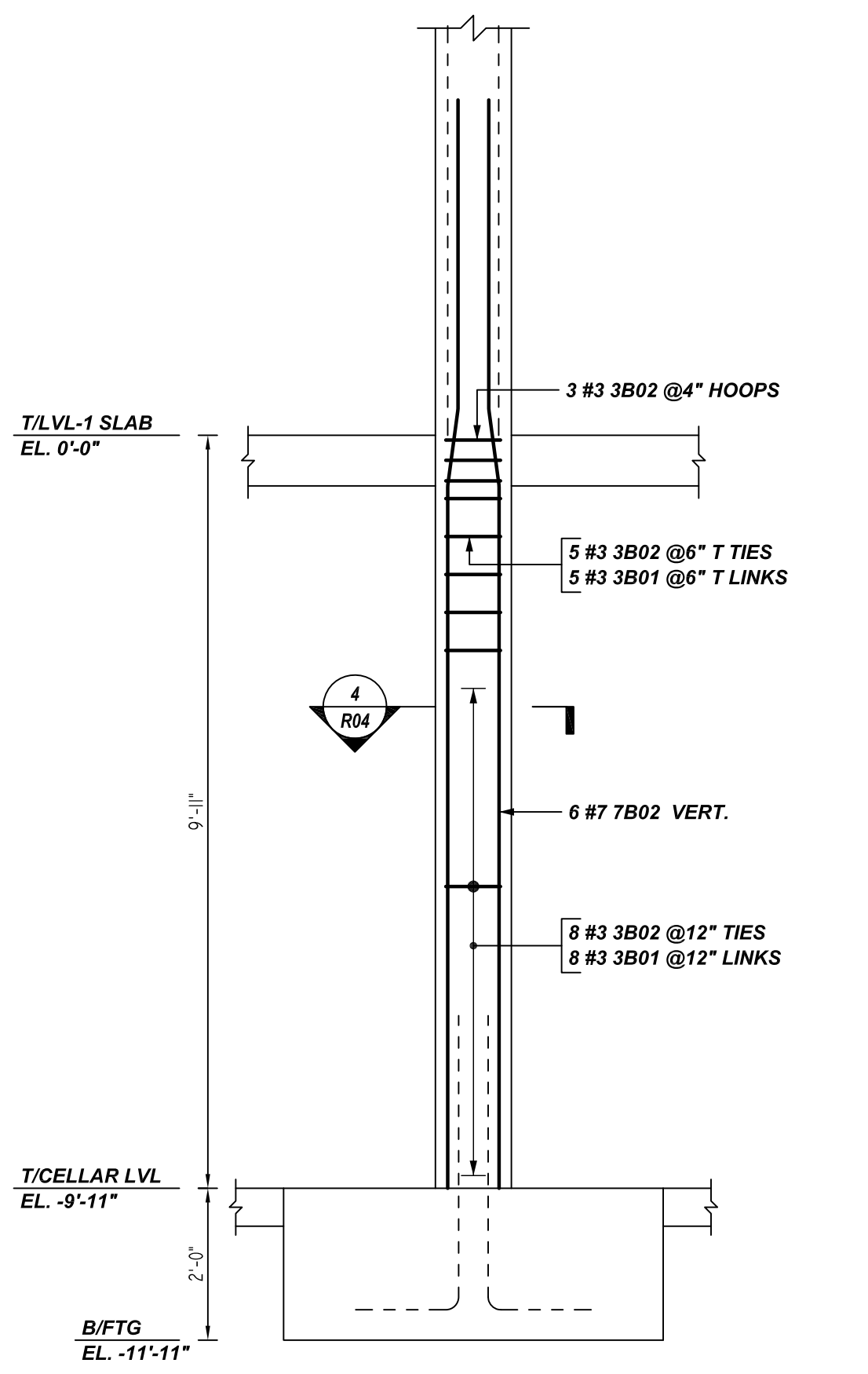
COLUMN-1 & 5
 REF: F0-101.00 & S-101.00
 SCALE: 1/2" = 1'-0"
 (@ 2 LOCATIONS)



COLUMN-2
 REF: F0-101.00 & S-101.00
 SCALE: 1/2" = 1'-0"



COLUMN-3
 REF: F0-101.00 & S-101.00
 SCALE: 1/2" = 1'-0"



COLUMN-6
 REF: F0-101.00 & S-101.00
 SCALE: 1/2" = 1'-0"

LAP SCHEDULE

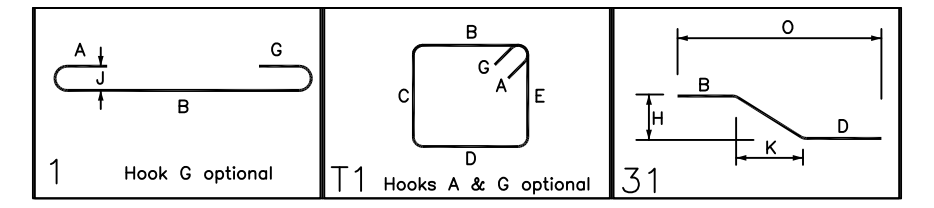
5000 PSI (CLASS-B) CASE-1
 Per ACI 318 (12.2.2)

BAR#	LENGTHS	
	TOP	OTHERS
#3	22"	17"
#4	29"	22"
#5	36"	28"
#6	54"	42"
#7	63"	49"
#8	72"	56"
#9	81"	63"
#10	92"	71"
#11	127"	98"

LOCATION	MIN. COVER
COLUMN TIES	1 1/2" CLR

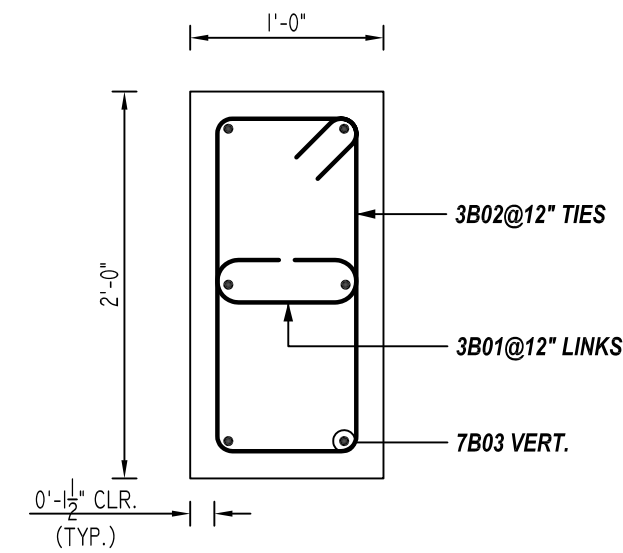
**ALL BARS IN THIS DRAWING
 ASTM A615 GRADE 60
 BLACK UNCOATED**

Bar Mark	Qty	Size	Total Length	Type	X	Y	Z	W	V	U	T	S	R	Q	P	O	N	M	L	K	J	I	H	G	F	E	D	C	B	A			
3B01	65	#3	1'-7"	1	0'-5"	0'-9"																											
3B02	80	#3	5'-8 1/2"	11	0'-4 1/2"	0'-9"	1'-9"	0'-9"	1'-9"																								
7B02	6	#7	14'-4 1/2"	31		9'-3"	1'-0 1/2"	4'-1"																									
7B03	6	#7	14'-0 1/2"	31		8'-11"	1'-0 1/2"	4'-1"																									
7B04	18	#7	14'-10 1/2"	31		9'-9"	1'-0 1/2"	4'-1"																									

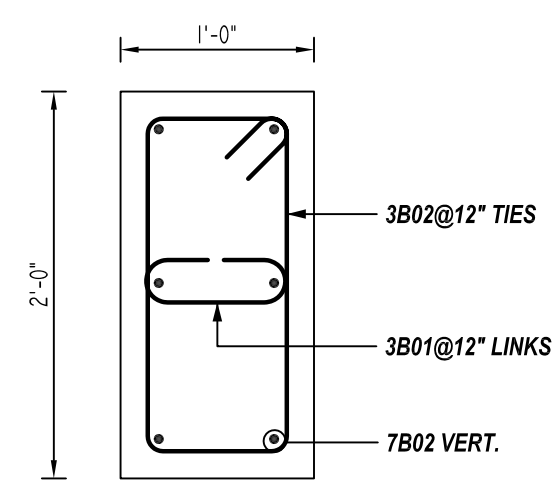


FOR APPROVAL

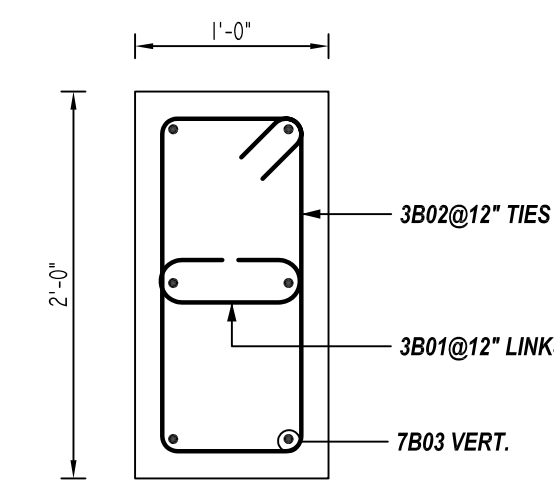
GRADE	A615/60(UNO)				
PREFIX	B				
BAR LIST NOS.					
REV	DESCRIPTION	ISSUED DATE	ISSUED FOR	STRUCTURE	COLUMN REINFORCEMENT DETAILS
0	IFA	09/20/2022	APPROVAL	FLOOR	CELLAR TO 1ST FLOOR (-9'-11" TO 0'-0")
				JOB NO	
				CUSTOMER	
				JOB	31-27 CRESCENT ST
				LOCATION	LONG ISLAND, NY 11106
				DRAWN	
				DATE	
				CONTROL CODE	
				DWG. NO.	
				MRS	09/20/2020
					-
					R04



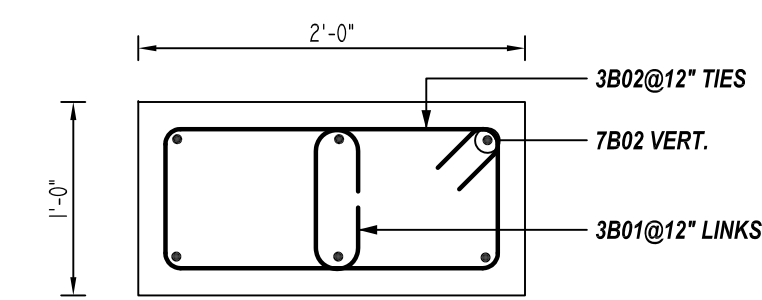
5 SECTION
REF: S-302.00
SCALE: 1/1" = 1'-0"



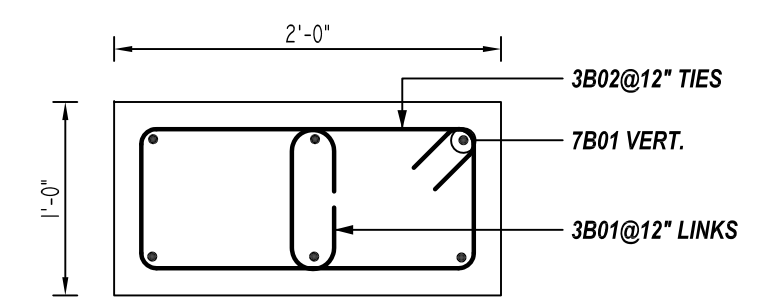
6 SECTION
REF: S-302.00
SCALE: 1/1" = 1'-0"



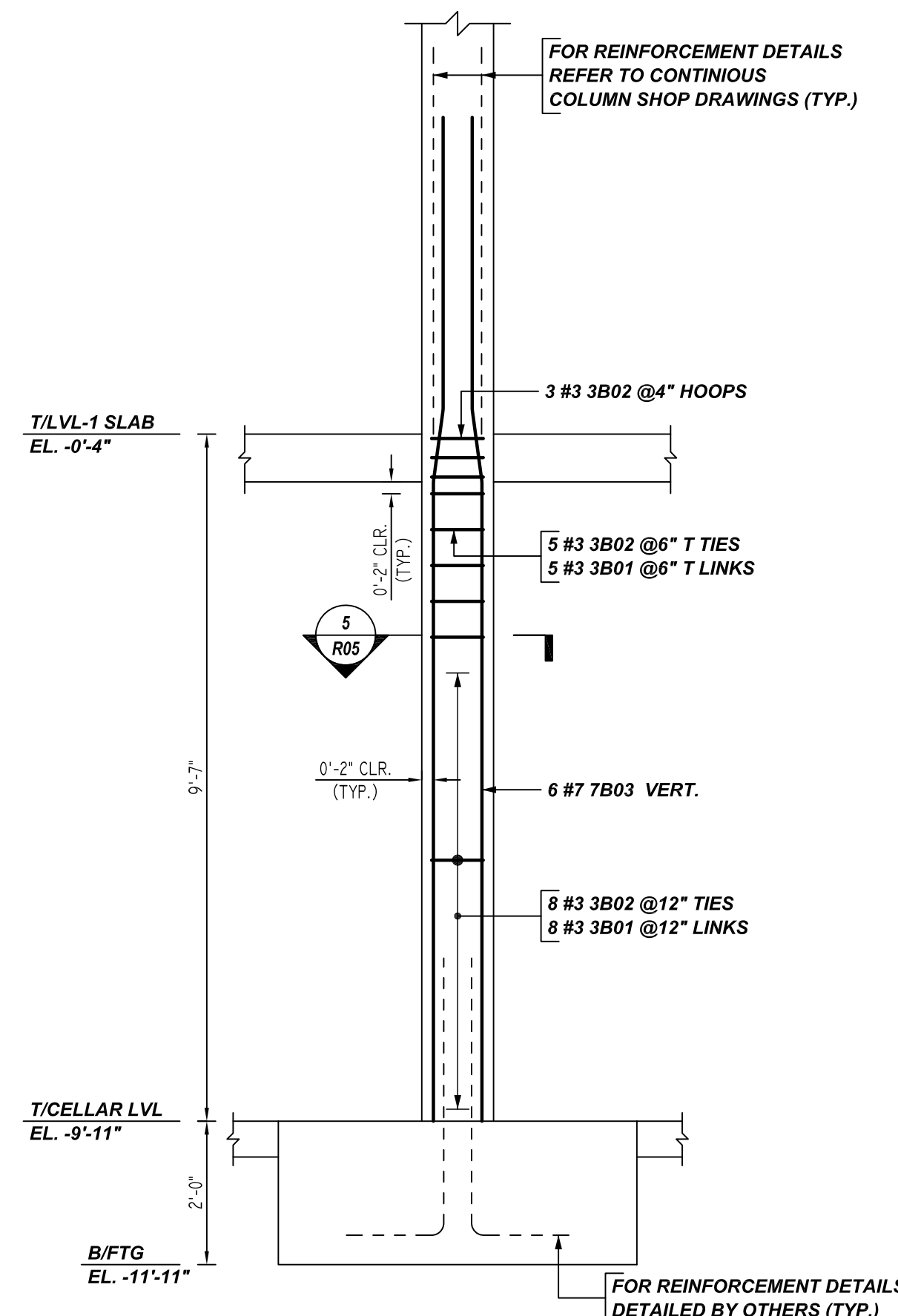
7 SECTION
REF: S-302.00
SCALE: 1/1" = 1'-0"



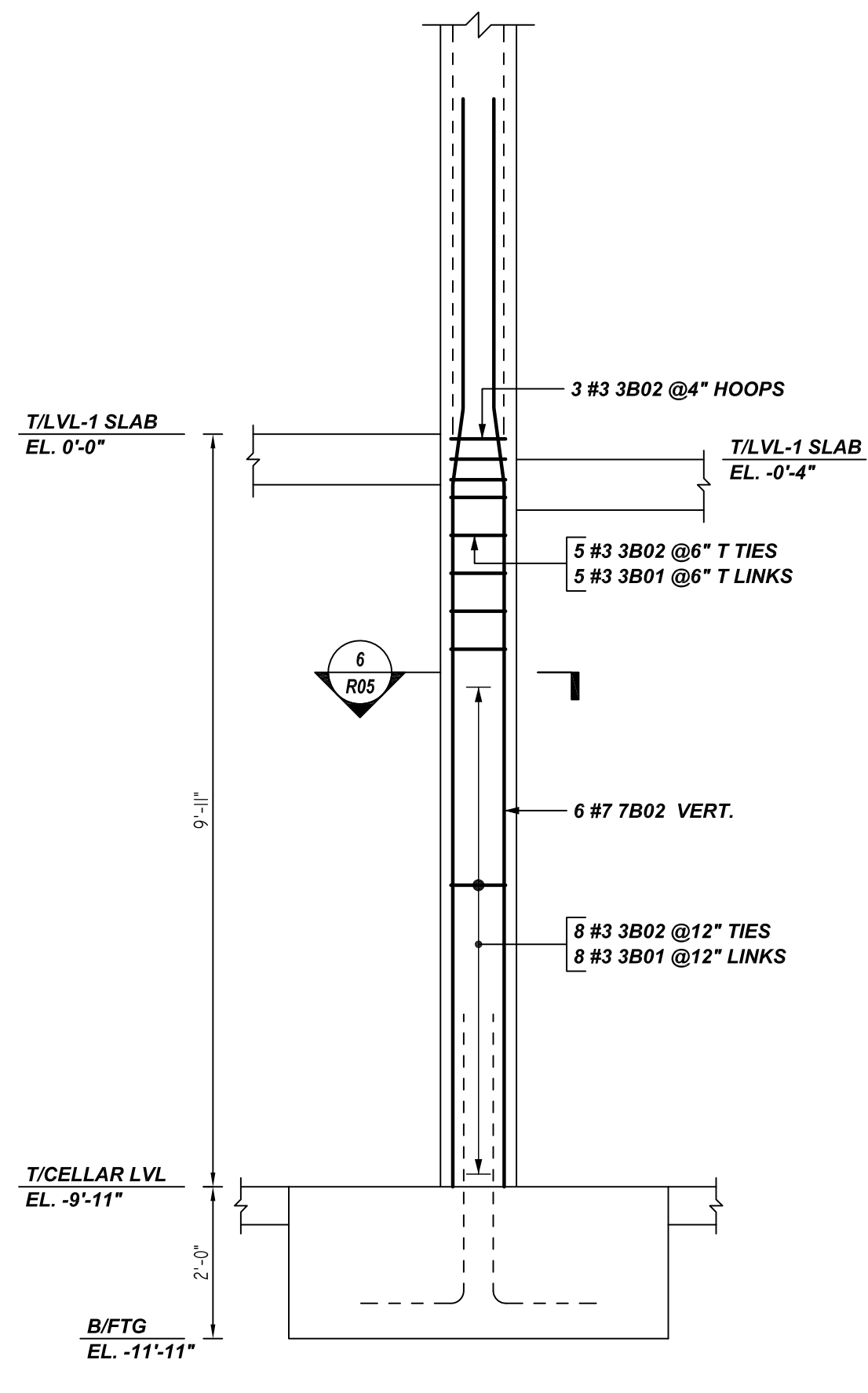
8 SECTION
REF: S-302.00
SCALE: 1/1" = 1'-0"



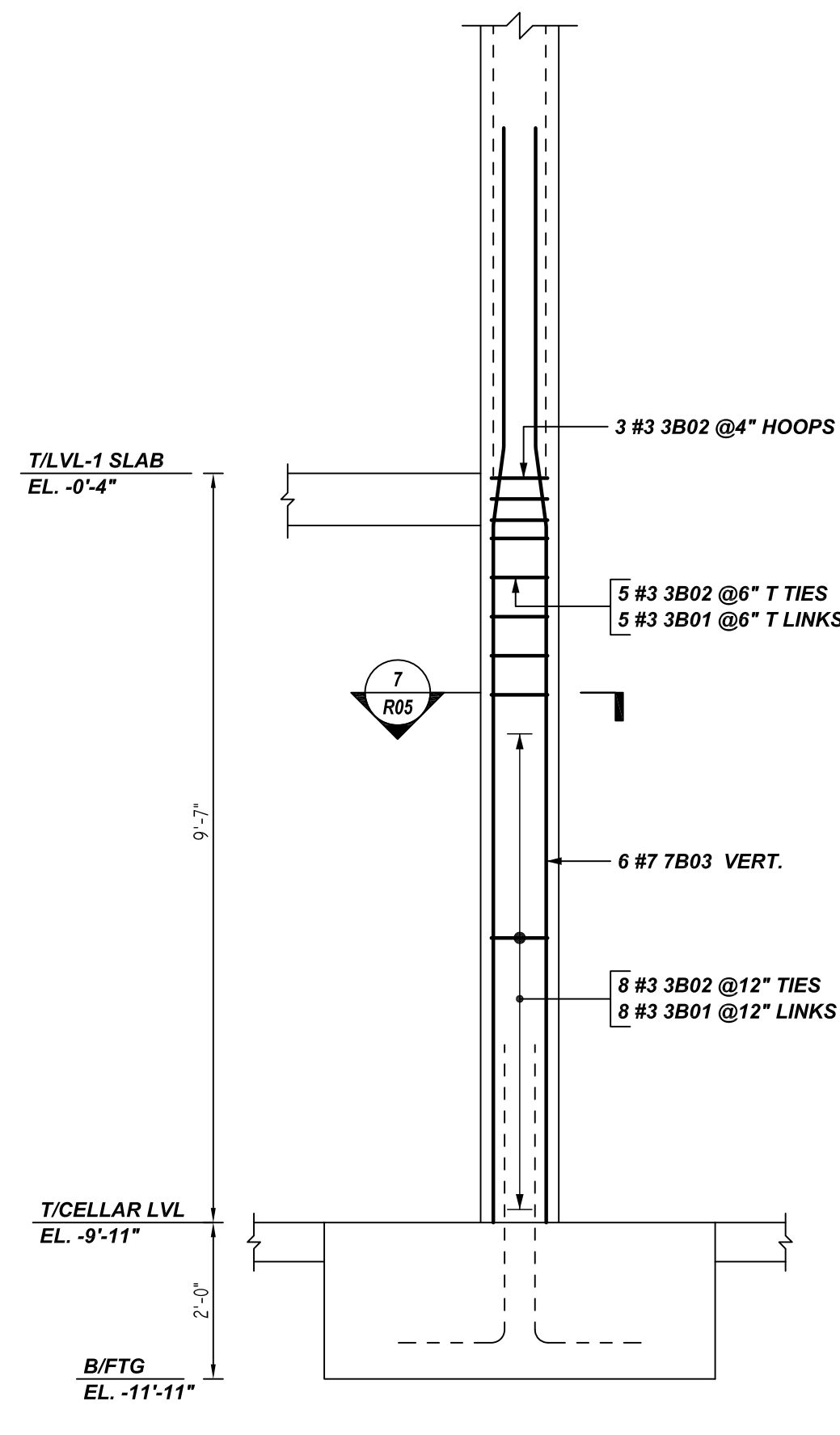
9 SECTION
REF: S-302.00
SCALE: 1/1" = 1'-0"



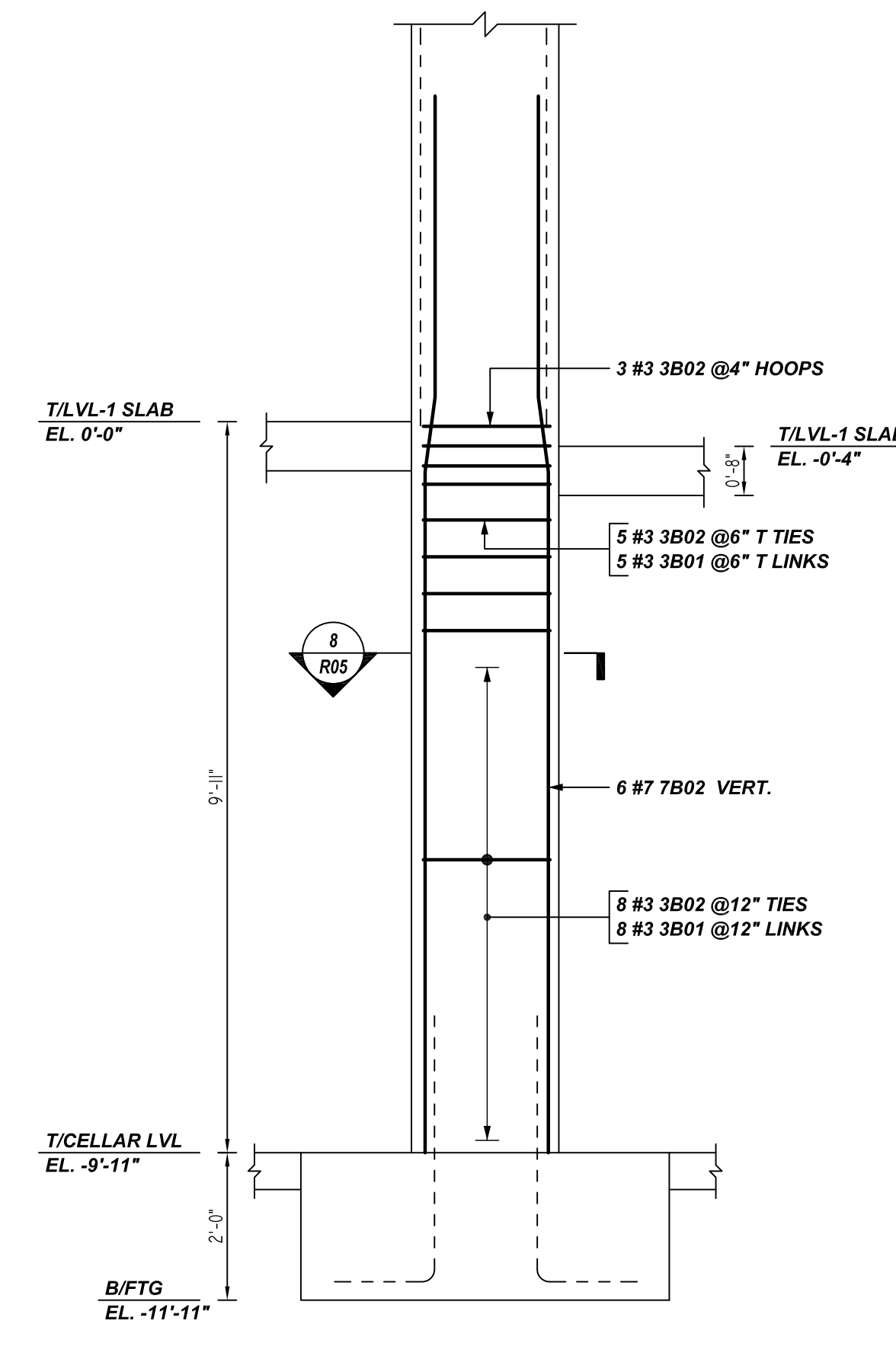
COLUMN-7
REF: F0-101.00 & S-101.00
SCALE: 1/2" = 1'-0"



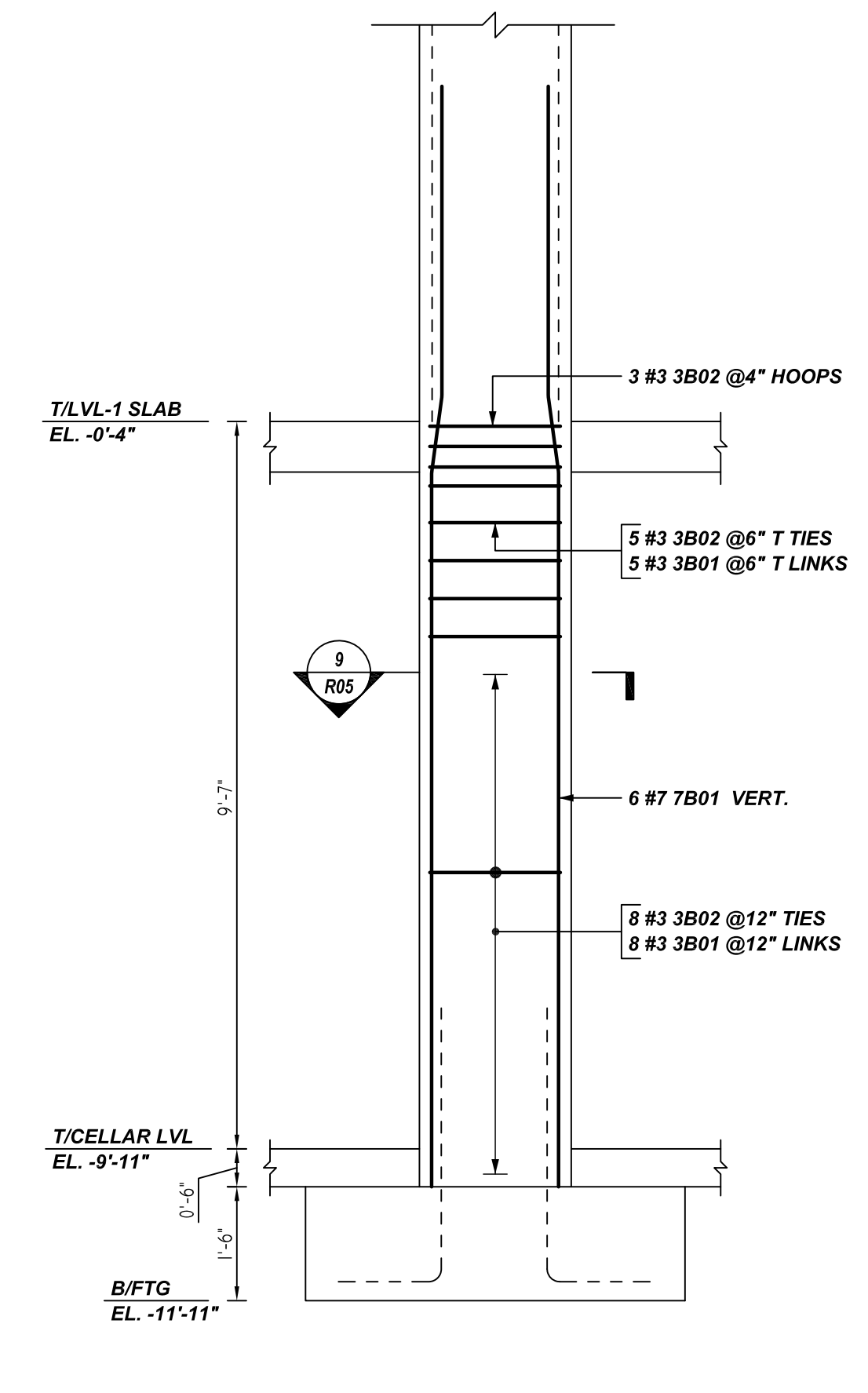
COLUMN-9
REF: F0-101.00 & S-101.00
SCALE: 1/2" = 1'-0"



COLUMN-10
REF: F0-101.00 & S-101.00
SCALE: 1/2" = 1'-0"



COLUMN-12
REF: F0-101.00 & S-101.00
SCALE: 1/2" = 1'-0"



COLUMN-13
REF: F0-101.00 & S-101.00
SCALE: 1/2" = 1'-0"

LAP SCHEDULE

5000 PSI (CLASS-B) CASE - 1
Per ACI 318 (12.2.2)

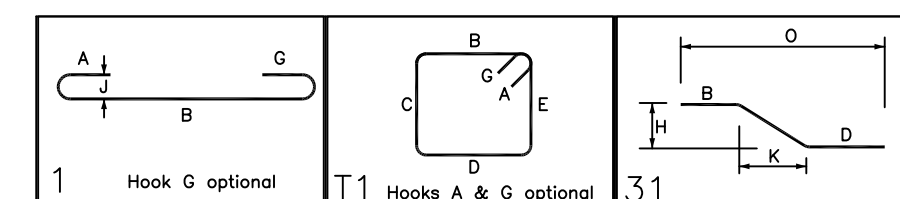
BAR#	LENGTHS	
	TOP	OTHERS
#3	22"	17"
#4	29"	22"
#5	36"	28"
#6	54"	42"
#7	63"	49"
#8	72"	56"
#9	81"	63"
#10	92"	71"
#11	127"	98"

ALL TOP BARS ARE DEFINED AS HORIZ BARS WITH MORE THAN 12" OF CONCRETE BELOW BARS.

TYPICAL REINFORCING BAR CLEARANCE TABLE	
LOCATION	MIN. COVER
COLUMN SIDE	2" CLR
COLUMN TIES	1 1/2" CLR

**ALL BARS IN THIS DRAWING
ASTM A615 GRADE 60
BLACK UNCOATED**

Release Number: R05		BENDING DETAILS													
Bar Mark	Qty	Size	Total Length	Type	X	Y	Z	W	V	U	T	S	R	Q	P
3B01	65	#3	1'-7"	1	0'-5"	0'-5"									
3B02	80	#3	5'-8 3/4"	11	0'-4 1/2"	0'-5"	1'-9"	0'-9"	1'-9"			0'-4 1/2"			
7B01	6	#7	14'-8 1/2"	31			9'-5"	1'-0 1/2"	4'-1"			0'-2 1/2"		1'-0"	14'-6"
7B02	12	#7	14'-4 1/2"	31			9'-5"	1'-0 1/2"	4'-1"			0'-2 1/2"		1'-0"	14'-4"
7B03	12	#7	14'-0 1/2"	31			8'-11"	1'-0 1/2"	4'-1"			0'-2 1/2"		1'-0"	14'-0"



FOR APPROVAL

GRADE	A615/60(UNO)			
PREFIX	B			
BAR LIST NOS.				
REV	DESCRIPTION	ISSUED DATE	ISSUED FOR	STRUCTURE COLUMN REINFORCEMENT DETAILS
0	IFA	09/20/2022	APPROVAL	
				FLOOR CELLAR TO 1ST FLOOR (-9'-11" TO 0'-0")
				JOB NO -
				CUSTOMER -
				JOB 31-27 CRESCENT ST
				LOCATION LONG ISLAND, NY 11106
				DRAWN MRS
				DATE 09/20/2020
				CONTROL CODE -
				DWG. NO. R05