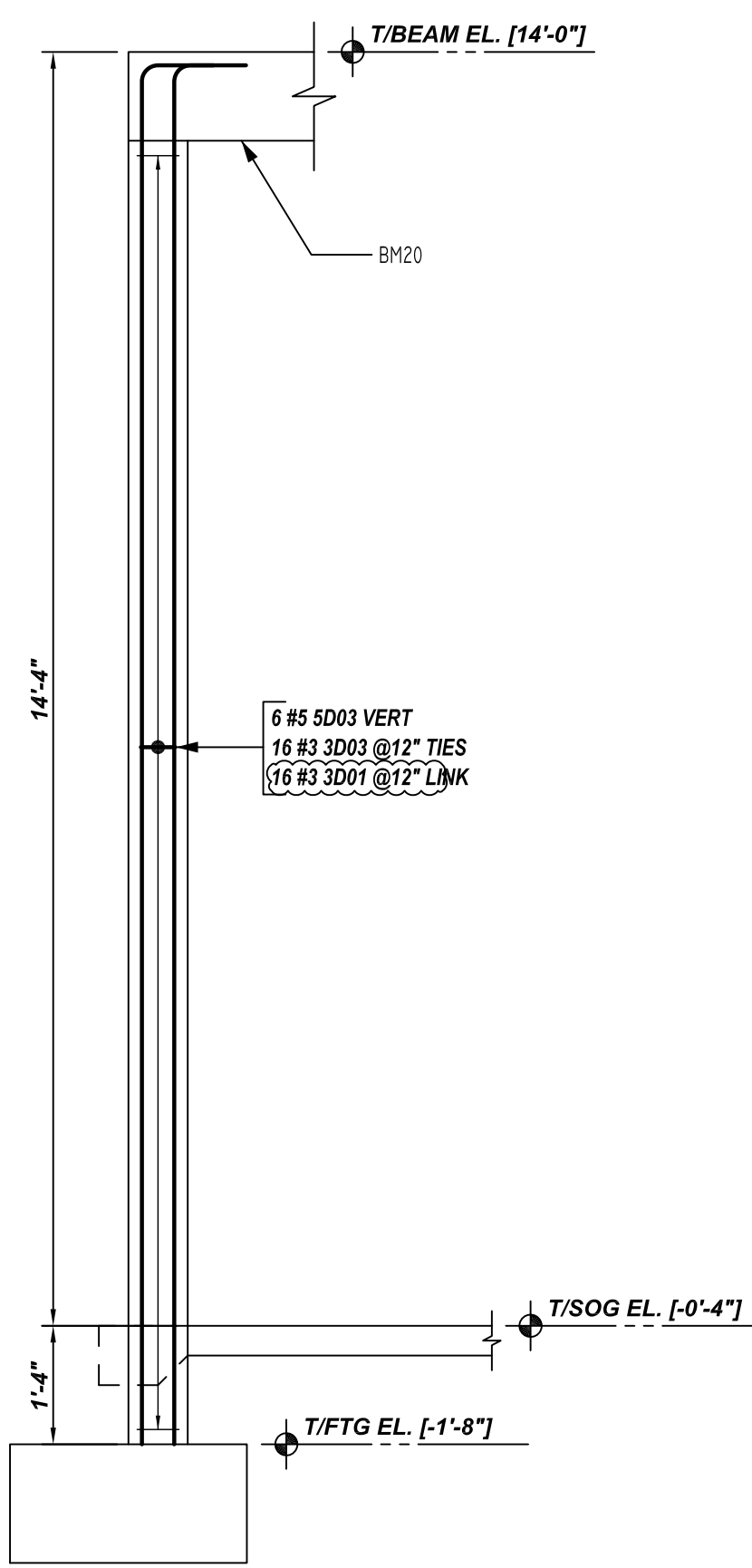
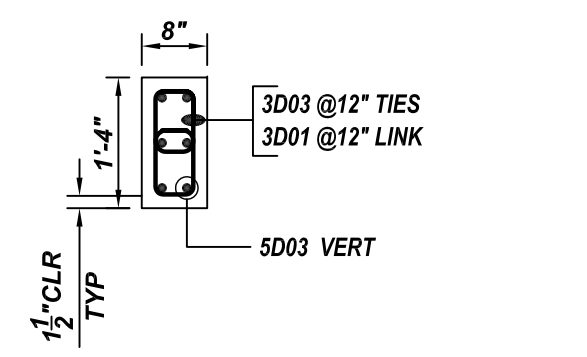


FOR COLUMN LAP

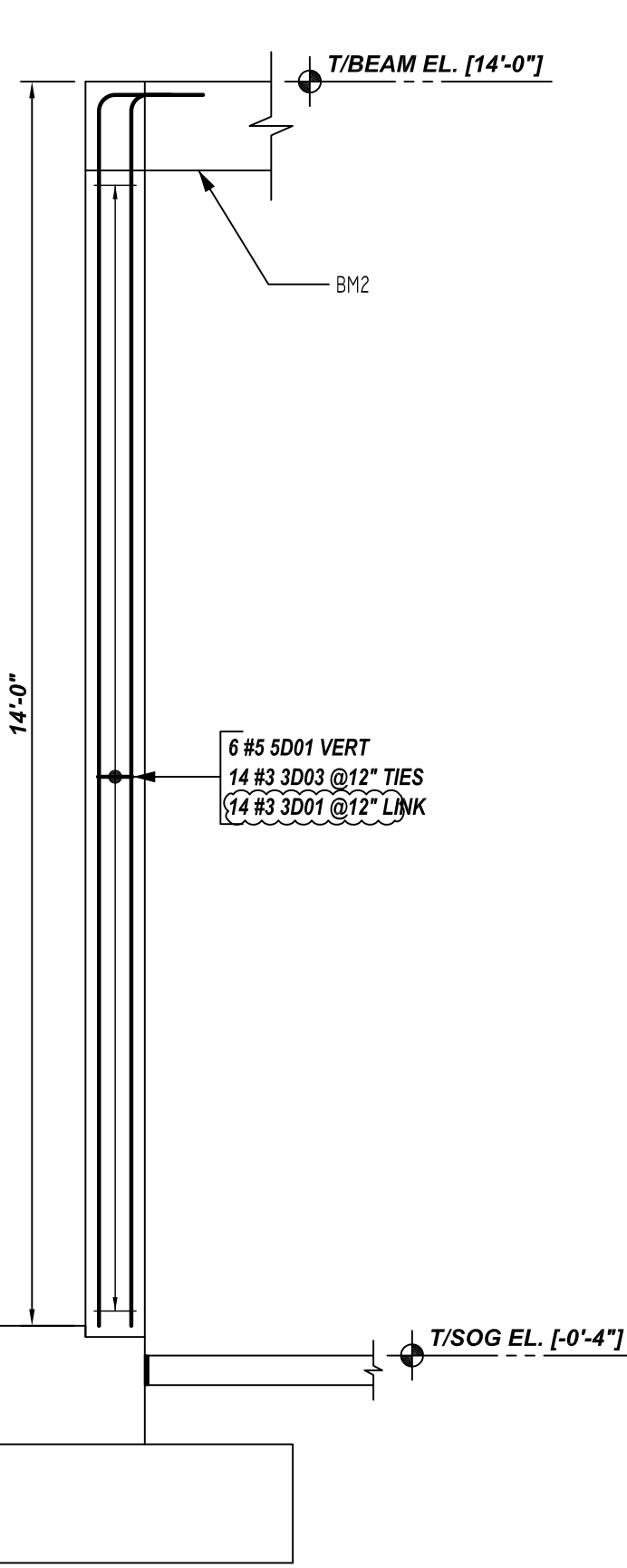
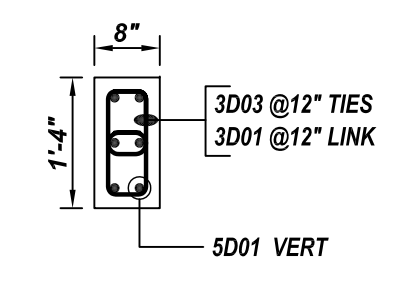
SIZE	36 Ø LAP
#3	14"
#4	18"
#5	23"
#6	27"
#7	32"
#8	36"
#9	41"
#10	46"
#11	51"

**ALL BARS IN THIS DRAWING  
 ASTM A615 GRADE 60  
 BLACK UNCOATED**

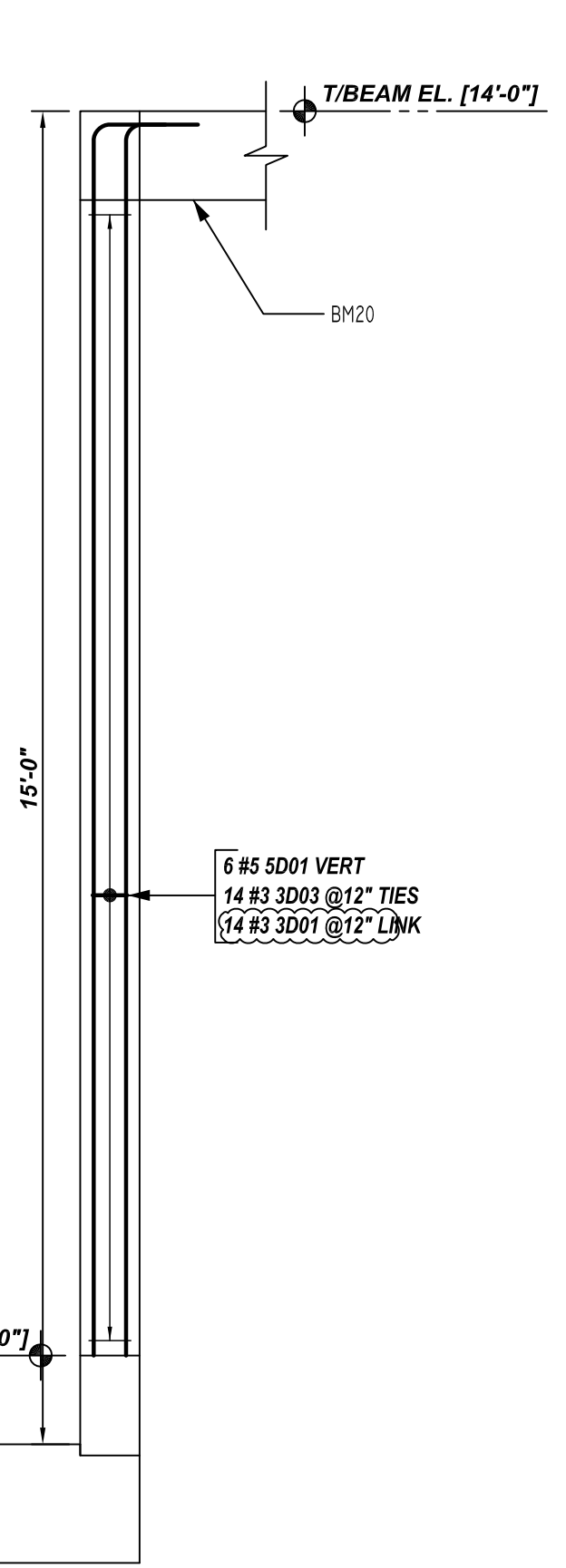
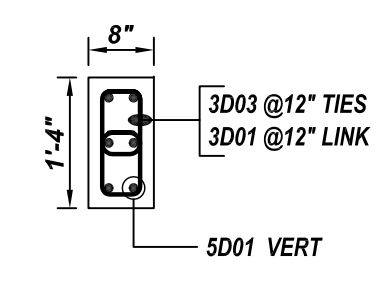
GRADE	60 A615		
PREFIX			
BAR LIST NOS.			
	PRINT RECORD		
	NO.	TO	FOR DATE
MK	REVISION	DATE	
0	FOR APPROVAL	07/27/21	
COLUMN REINFORCEMENT DETAILS			
CUSTOMER	664 BOCA MARINA COURT		
JOB	BOCA RATON, FLORIDA		
LOCATION			
DRAWN	DATE	CONTROL CODE	DWG. NO.
RPR/MET	07/27/2021	-	R05



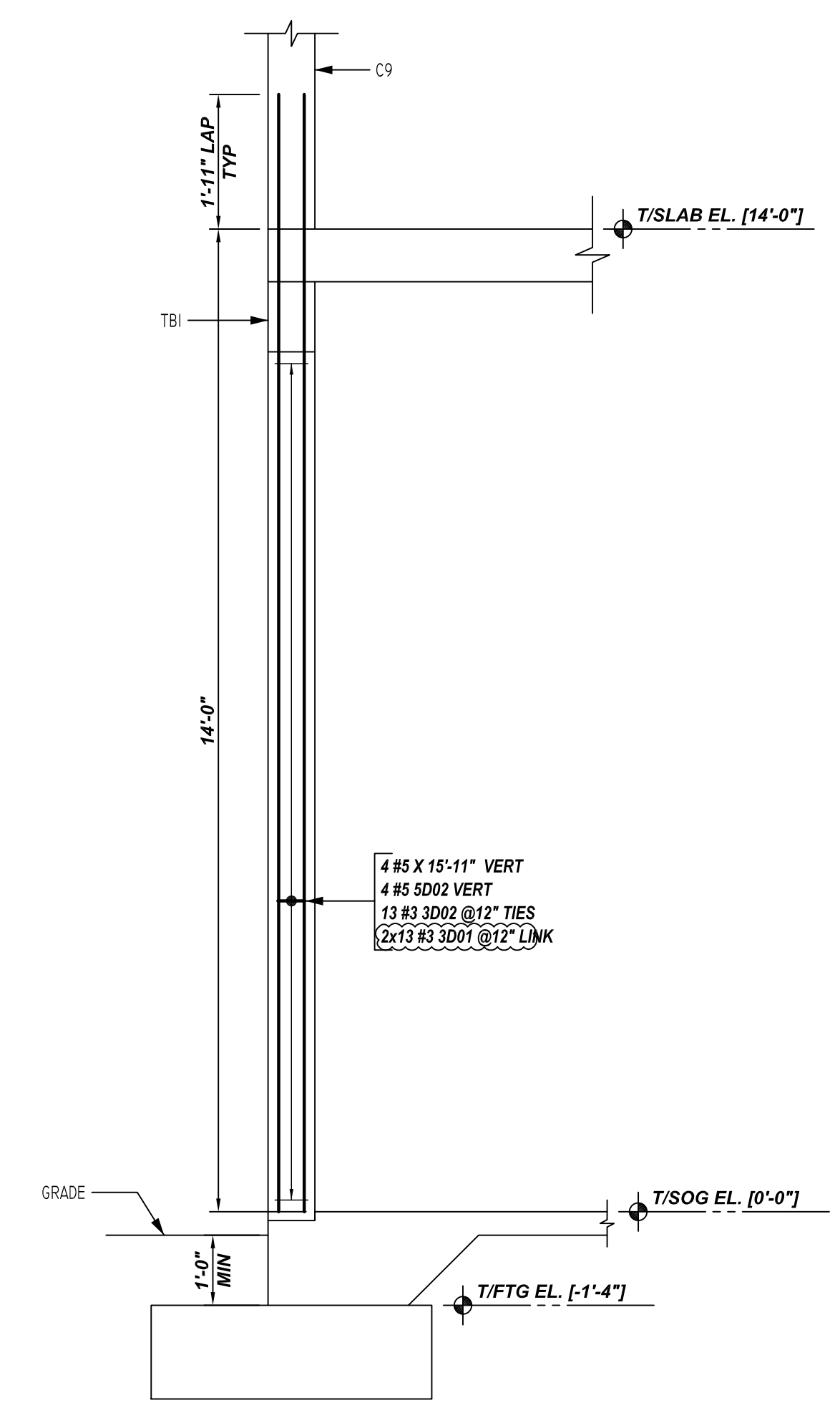
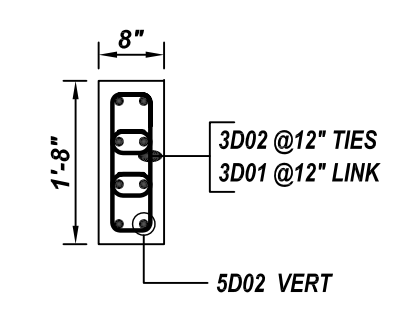
**COLUMN-C9**  
SCALE - 1/2"=1'-0"  
REF:-  
(LOCATION-1)



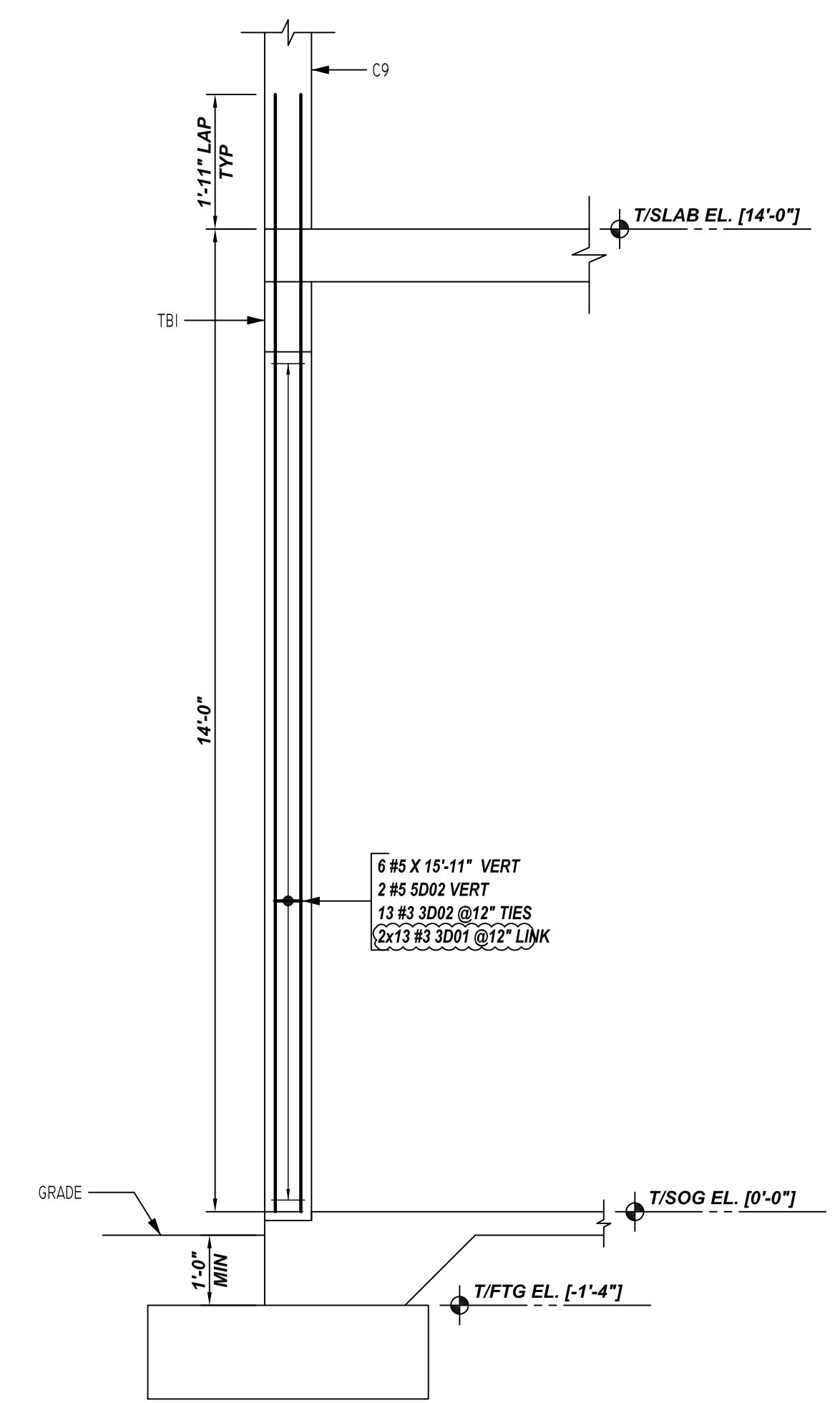
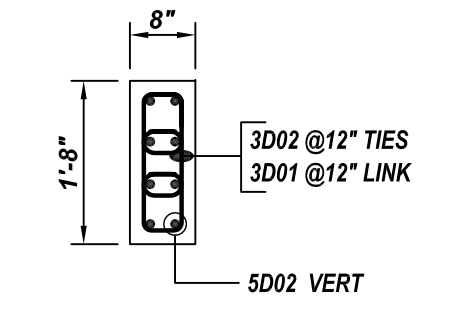
**COLUMN-C9A**  
SCALE - 1/2"=1'-0"  
REF:-  
(LOCATION-1)



**COLUMN-C9B**  
SCALE - 1/2"=1'-0"  
REF:-  
(LOCATION-1)



**COLUMN-C10**  
SCALE - 1/2"=1'-0"  
REF:-  
(LOCATION-1)



**COLUMN-C10A**  
SCALE - 1/2"=1'-0"  
REF:-  
(LOCATION-1)

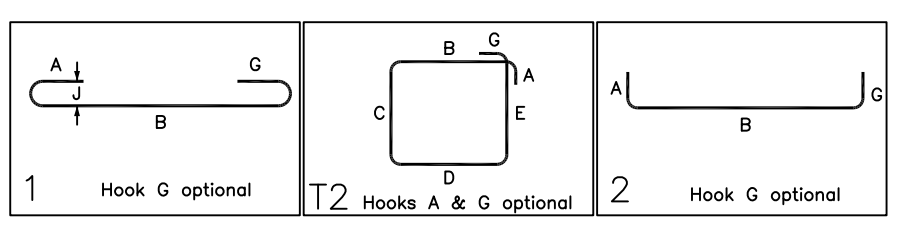
Release Number: R06

Bar Mark	Qty	Size	Total Length	Type	X'	Y'	Z'	X''	Y''	Z''	X'''	Y'''	Z'''
3001	86	#3	1'-3"	1	0'-5"	0'-5"							
3002	28	#3	4'-4"	12	0'-4"	0'-5"	1'-5"	0'-5"	1'-5"	0'-5"			
3003	44	#3	3'-4"	12	0'-4"	0'-5"	1'-1"	0'-5"	1'-1"	0'-5"			
5001	12	#5	14'-8 1/2"	2	0'-10"	15'-10 1/2"							
5002	8	#5	13'-11 1/2"	2	0'-10"	13'-1 1/2"							
5003	8	#5	16'-4 1/2"	2	0'-10"	15'-8 1/2"							

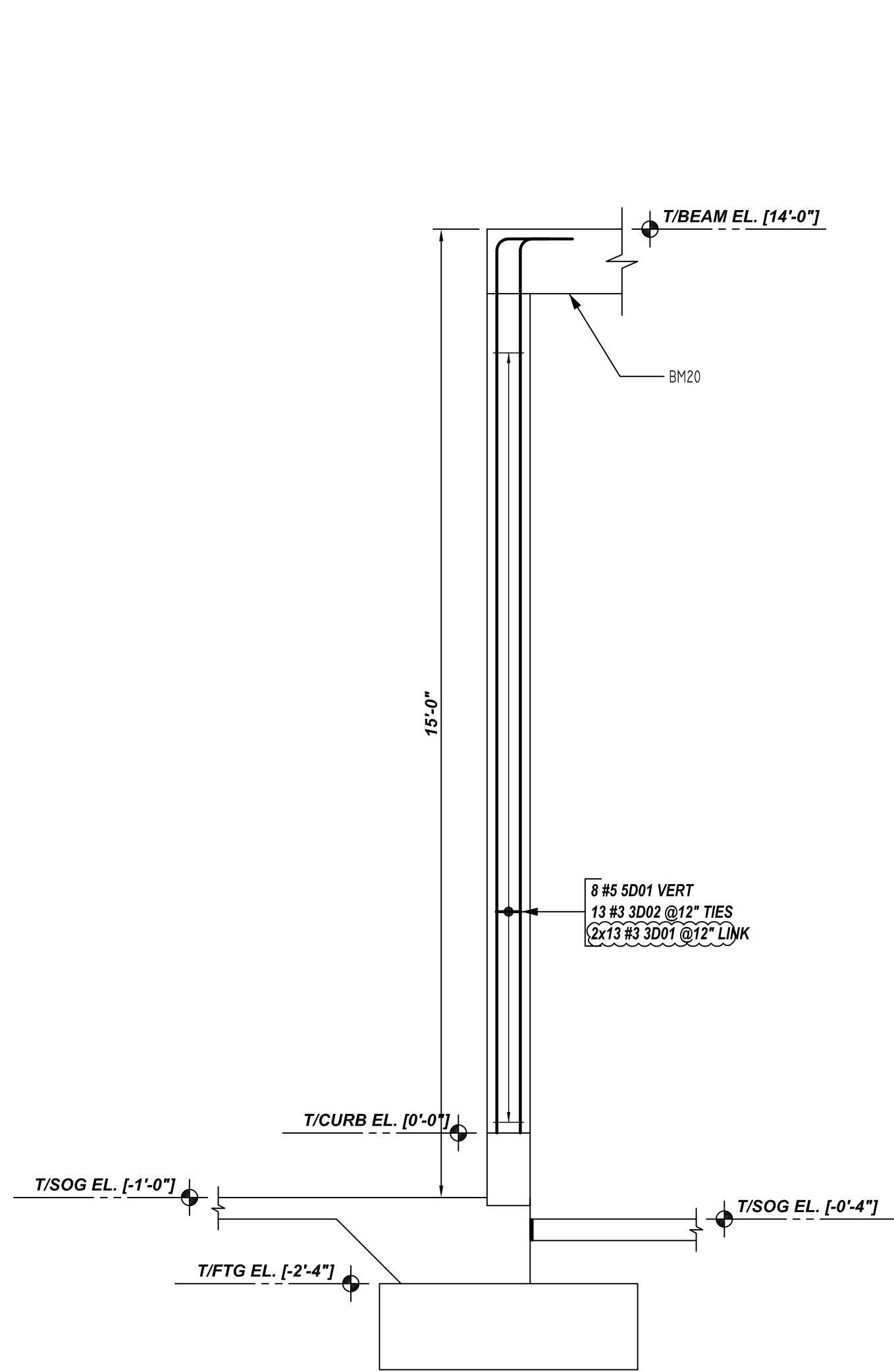
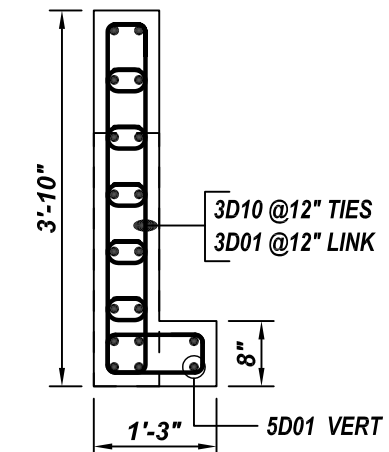
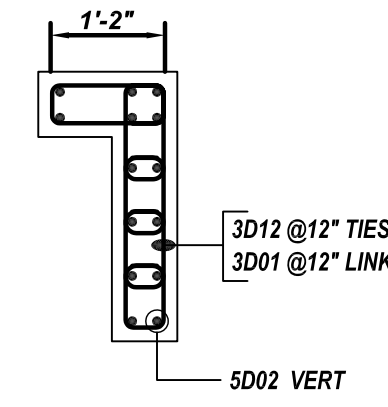
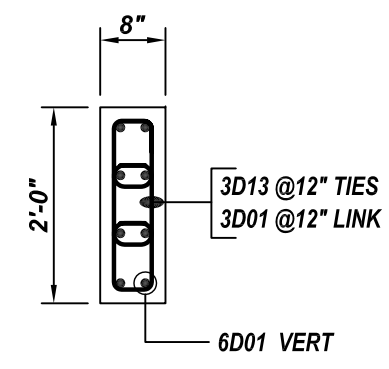
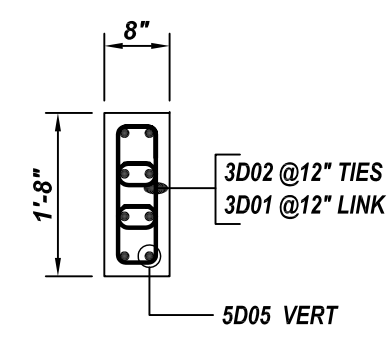
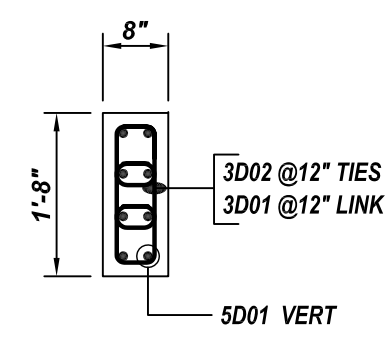
FOR COLUMN LAP

SIZE	36 Ø LAP
#3	14"
#4	18"
#5	23"
#6	27"
#7	32"
#8	36"
#9	41"
#10	46"
#11	51"

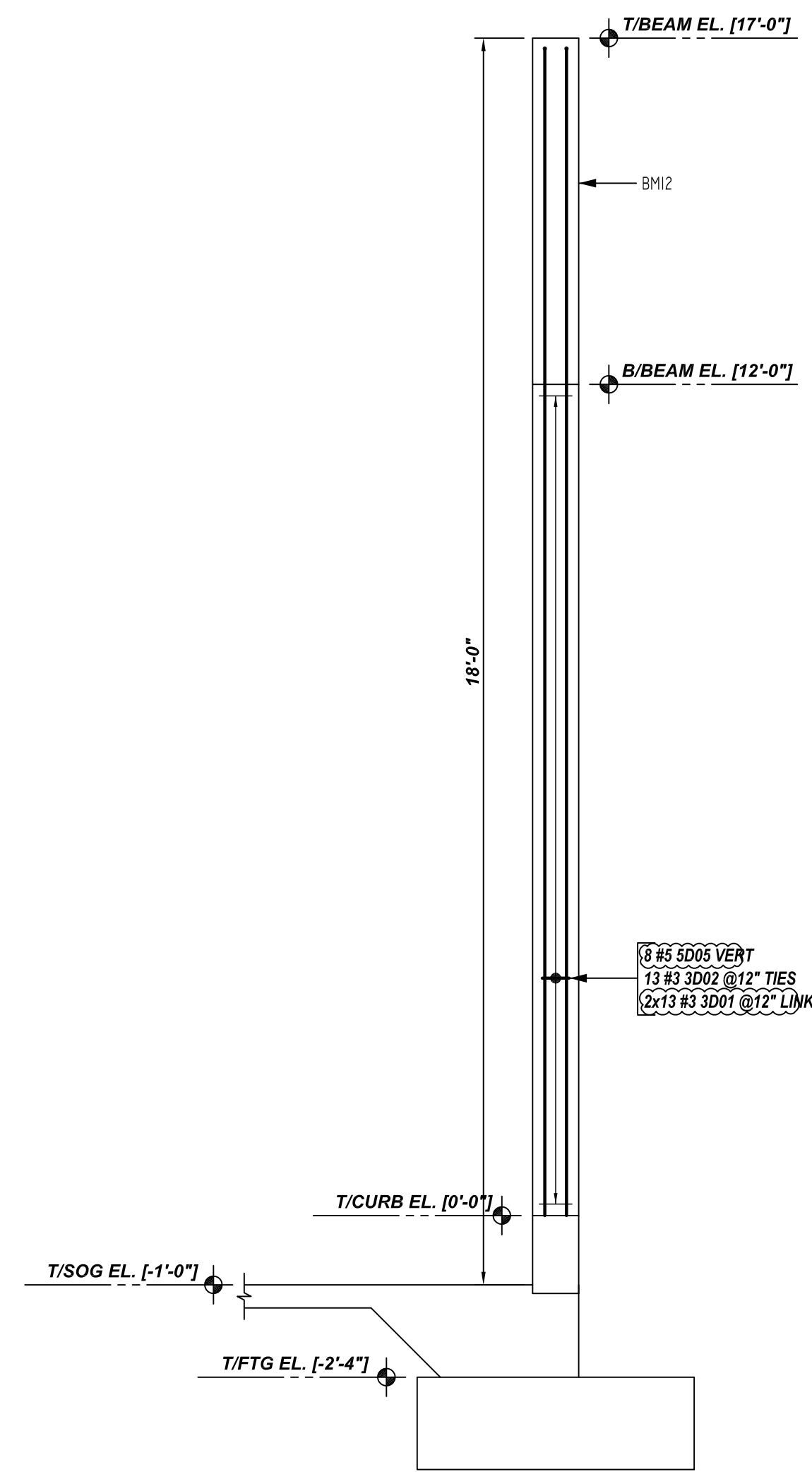
**ALL BARS IN THIS DRAWING  
ASTM A615 GRADE 60  
BLACK UNCOATED**



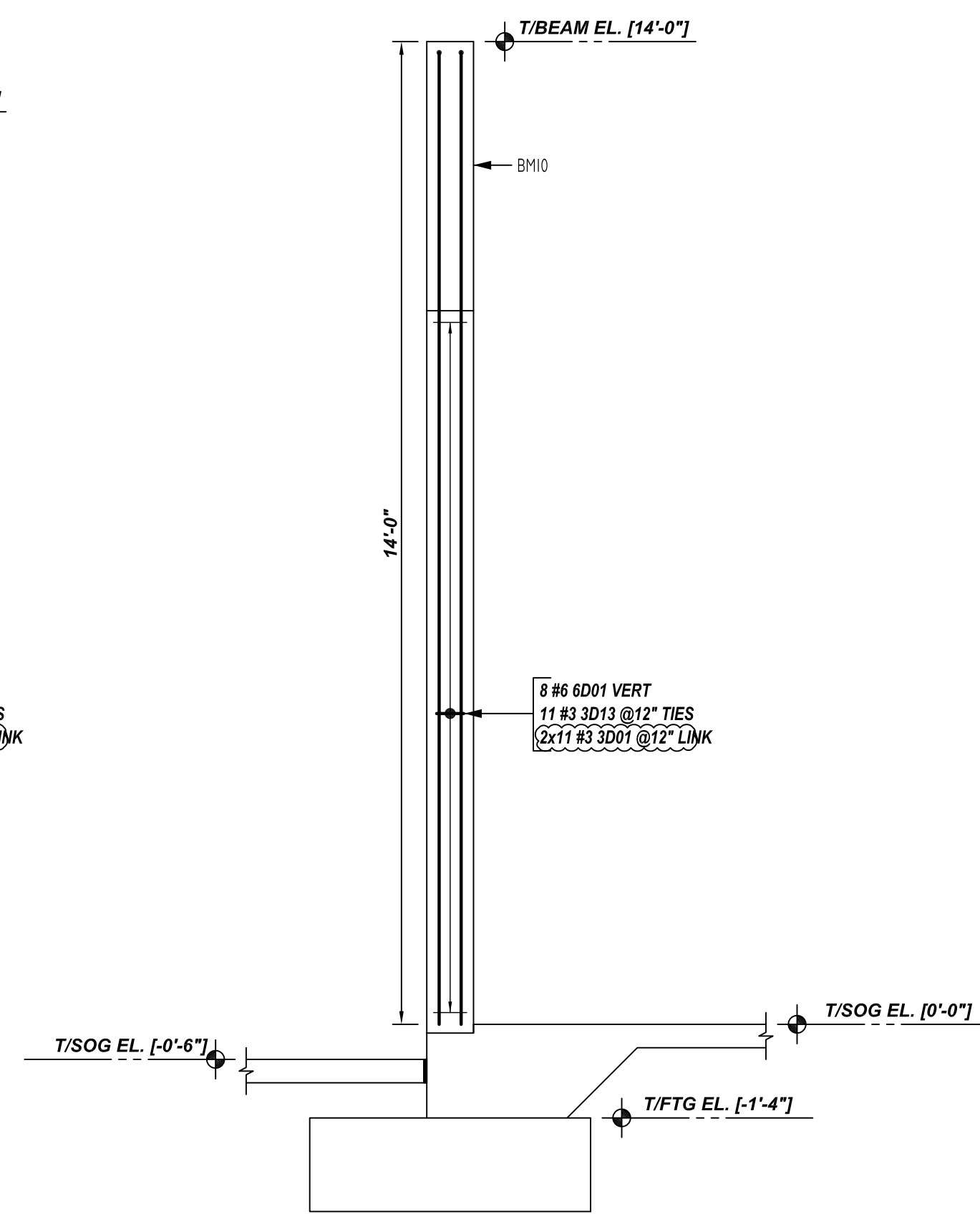
GRADE	60 A615	PRINT RECORD	
PREFIX		NO.	TO FOR DATE
BAR LIST NOS.			
MK	REVISION	DATE	
0	FOR APPROVAL	07/27/21	
COLUMN REINFORCEMENT DETAILS			
CUSTOMER	664 BOCA MARINA COURT		
JOB	BOCA RATON, FLORIDA		
LOCATION			
DRAWN	DATE	CONTROL CODE	DWG. NO.
RPR/MET	07/27/2021	-	R06



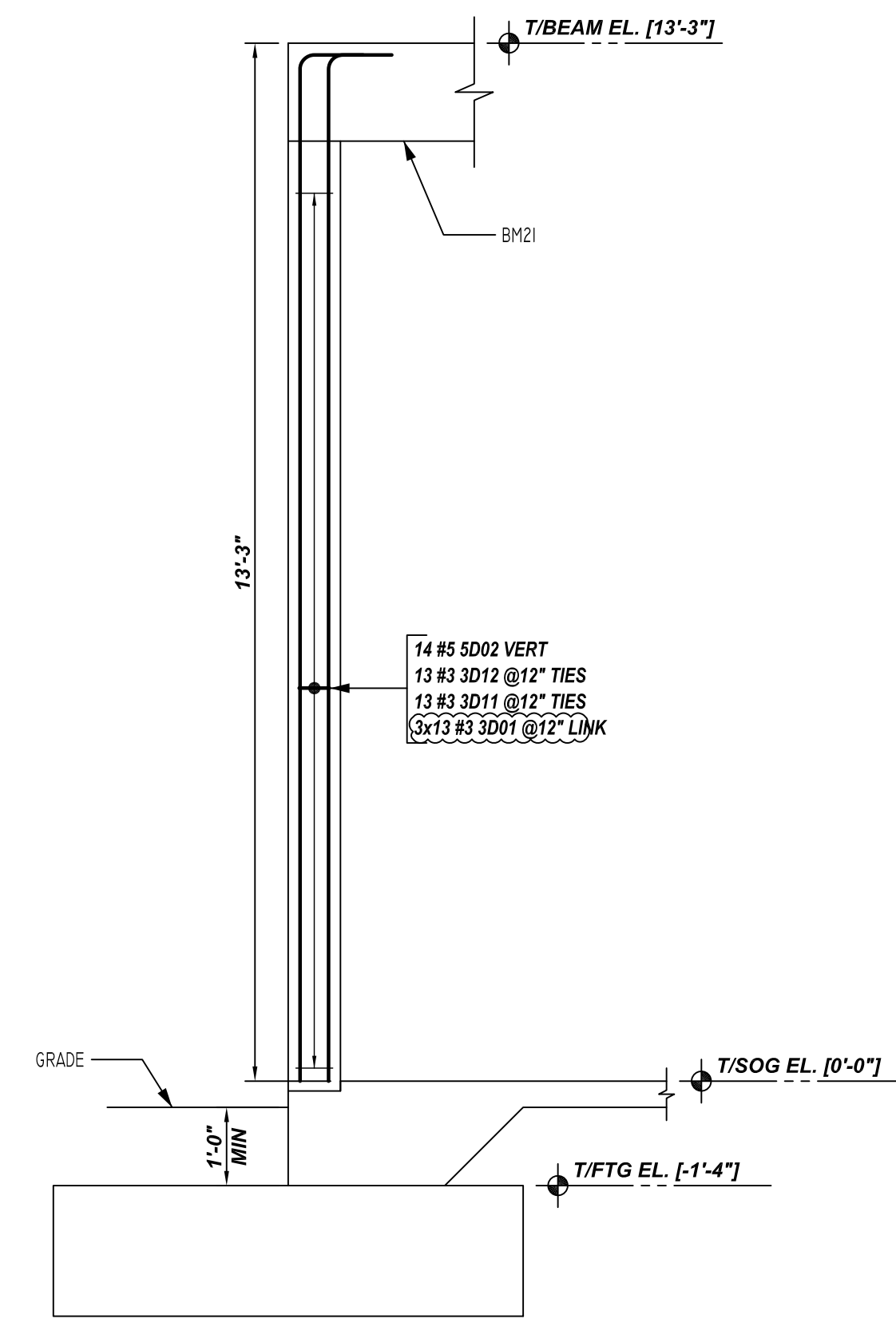
**COLUMN-C10B**  
SCALE - 1/2"=1'-0"  
REF: (LOCATION-1)



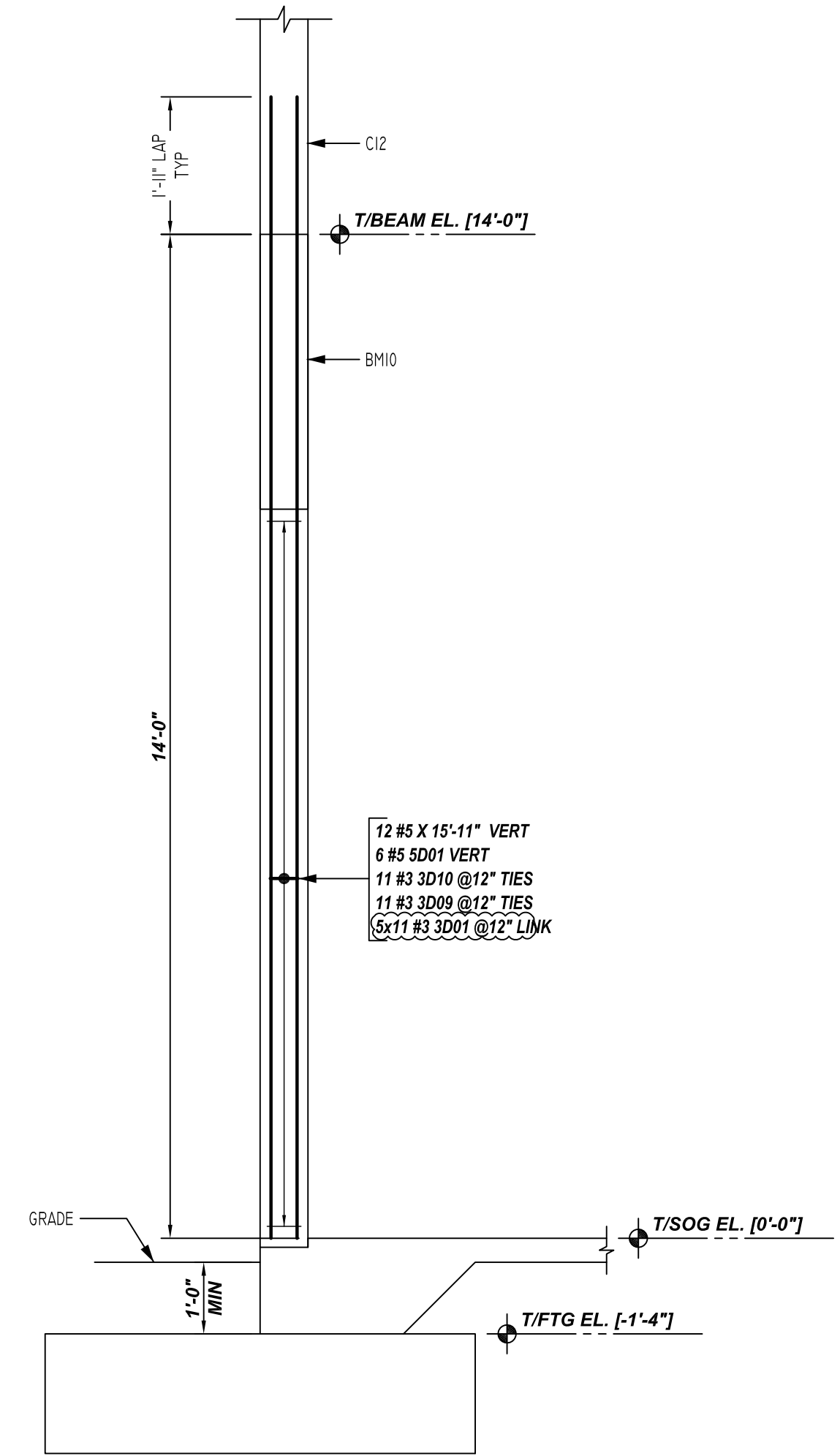
**COLUMN-C10C**  
SCALE - 1/2"=1'-0"  
REF: (LOCATION-1)



**COLUMN-C11**  
SCALE - 1/2"=1'-0"  
REF: (LOCATION-1)



**COLUMN-C13**  
SCALE - 1/2"=1'-0"  
REF: (LOCATION-1)



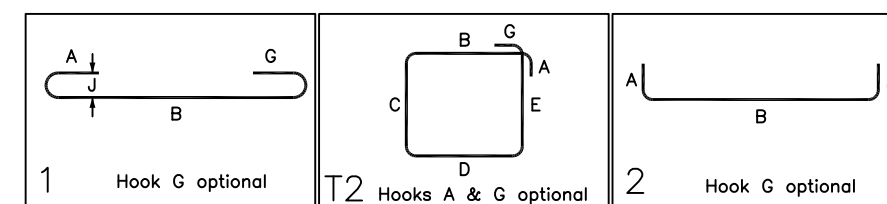
**COLUMN-C14**  
SCALE - 1/2"=1'-0"  
REF: (LOCATION-1)

Bar Mark	Qty	Size	Total Length	Type	X'	Y'	Z'	U'	V'	W'	X'	Y'	Z'	U'	V'
3001	168	#3	1'-3"	1	0'-5"	0'-5"									
3002	26	#3	4'-4"	T2	0'-4"	0'-5"	1'-5"	0'-5"	1'-5"	0'-5"					
3009	11	#3	2'-8"	T2	0'-4"	0'-5"	1'-0"	0'-5"	1'-0"	0'-5"					
3010	11	#3	2'-8"	T2	0'-4"	0'-5"	3'-7"	0'-5"	3'-7"	0'-5"					
3011	13	#3	3'-10"	T2	0'-4"	0'-5"	1'-2"	0'-5"	1'-2"	0'-5"					
3012	13	#3	6'-8"	T2	0'-4"	0'-5"	2'-8"	0'-5"	2'-8"	0'-5"					
3013	11	#3	5'-0"	T2	0'-4"	0'-5"	1'-9"	0'-5"	1'-9"	0'-5"					
5001	14	#5	14'-8 1/2"	2	0'-10"	15'-10 1/2"									
5002	14	#5	15'-11 1/2"	2	0'-10"	15'-1 1/2"									
5005	8	#5	17'-8 1/2"	2	0'-10"	16'-10 1/2"									
6001	8	#6	14'-10 1/2"	2	1'-0"	15'-10 1/2"									

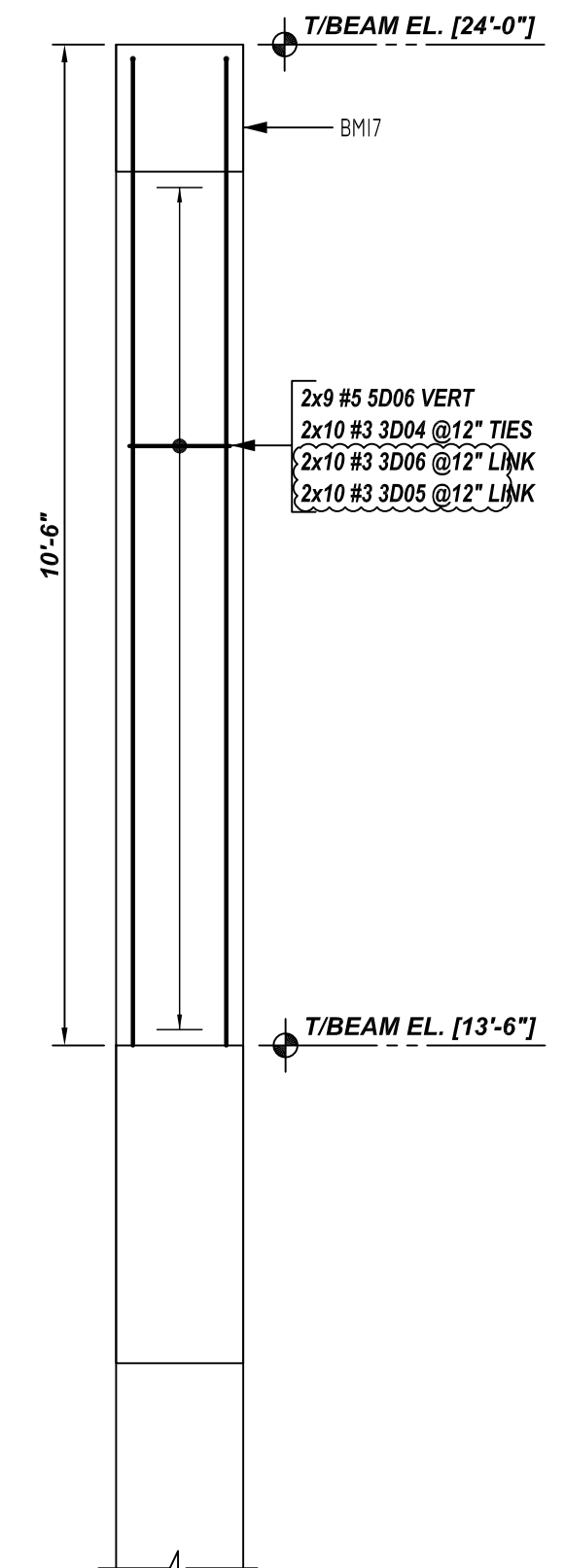
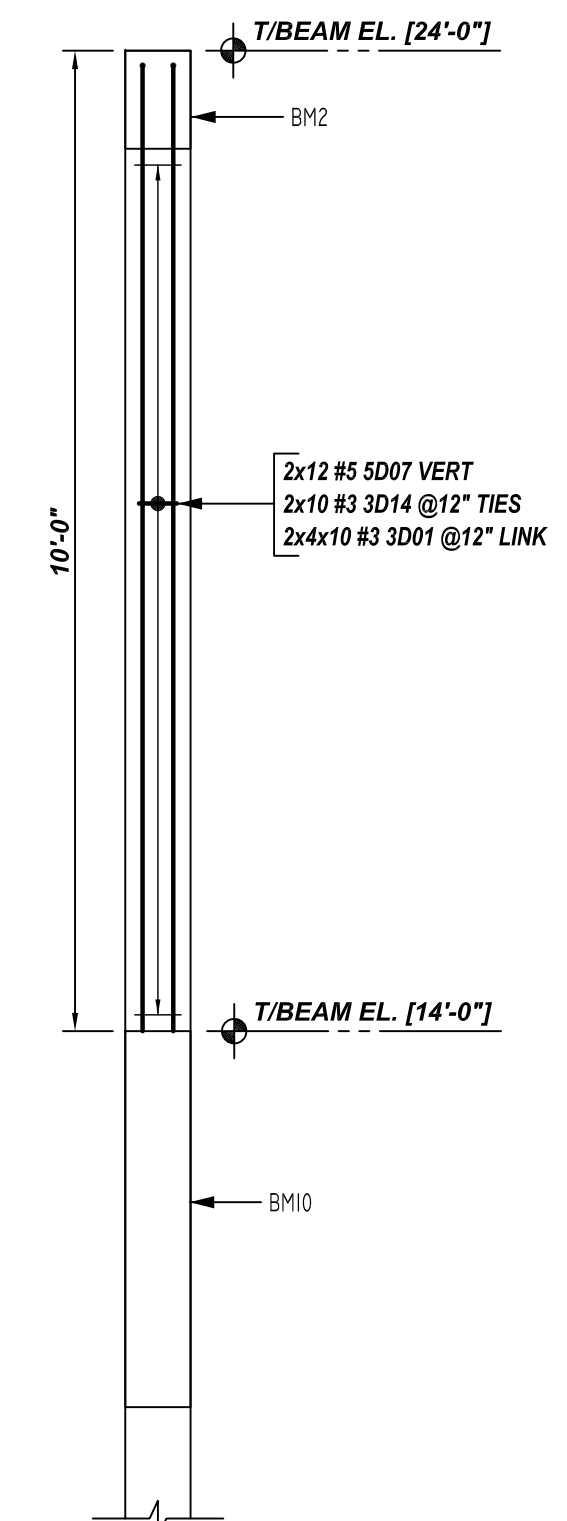
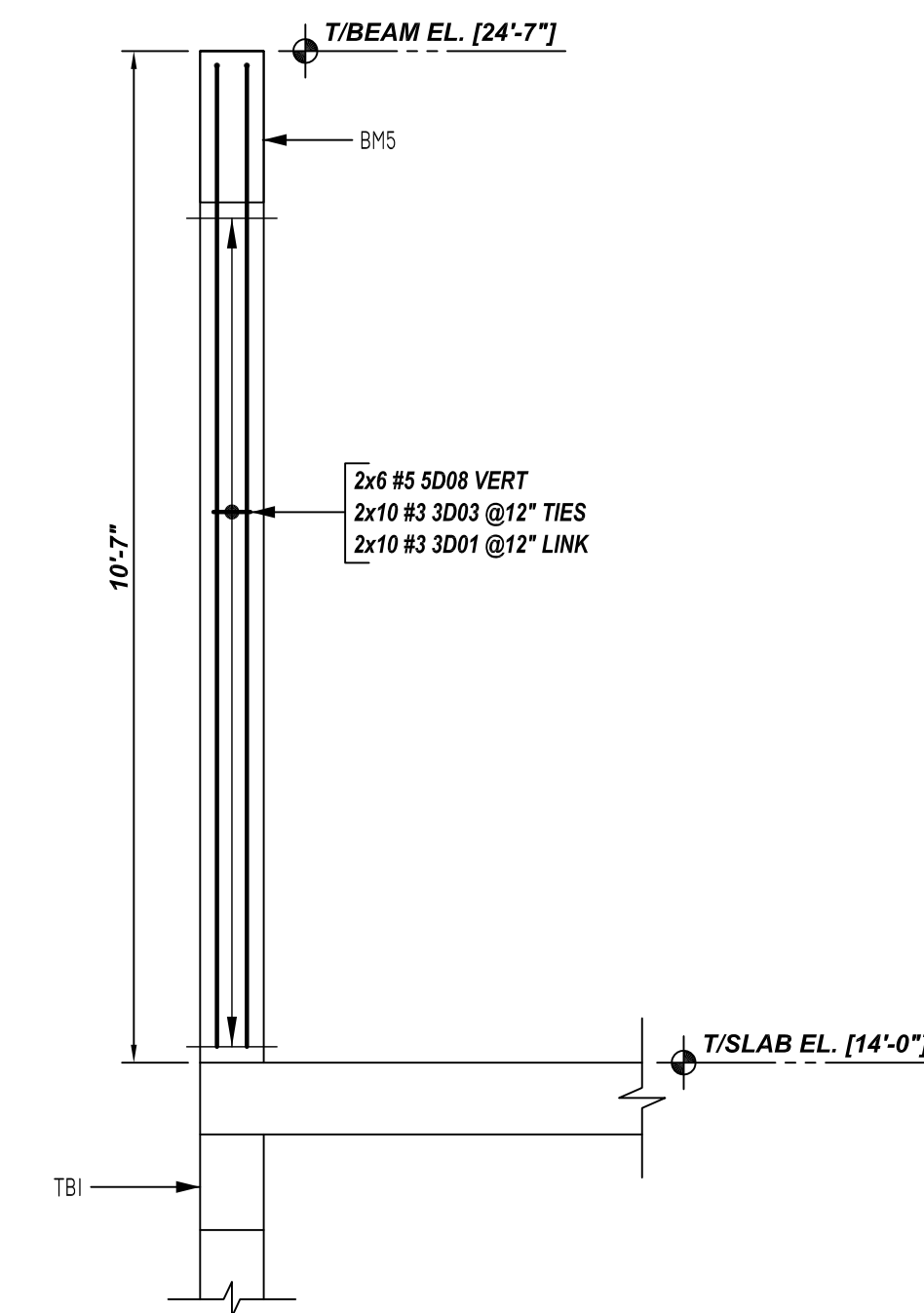
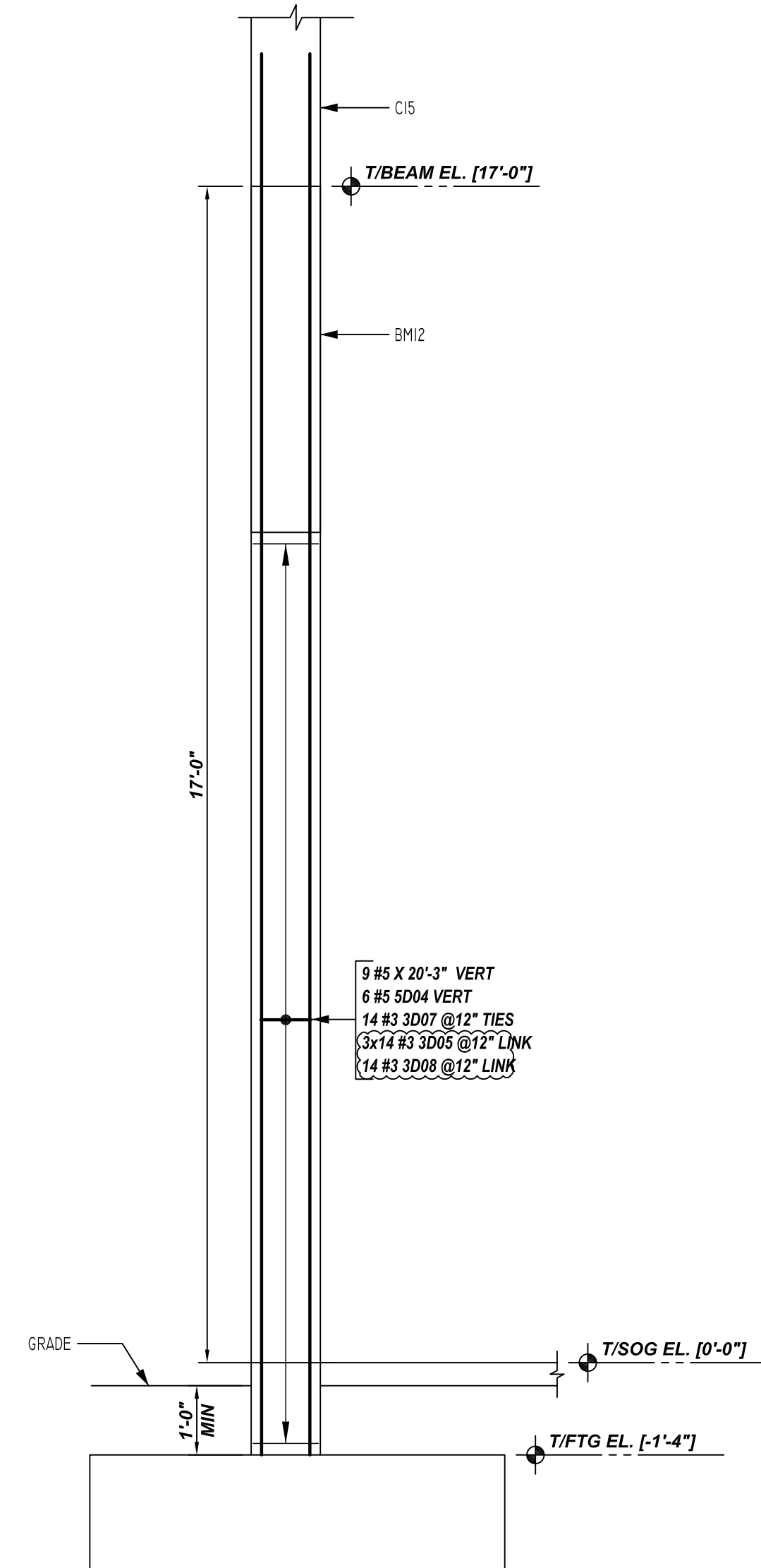
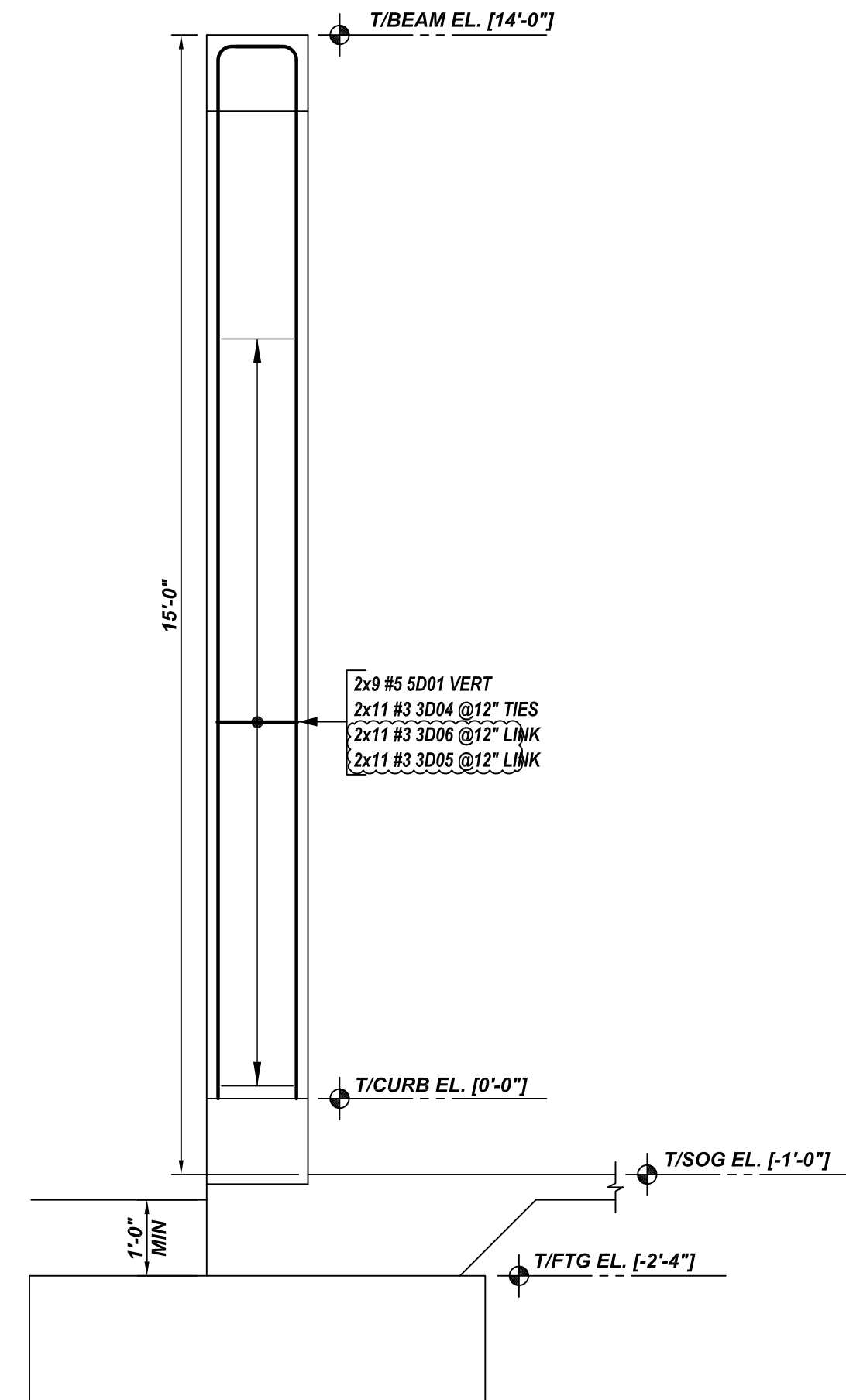
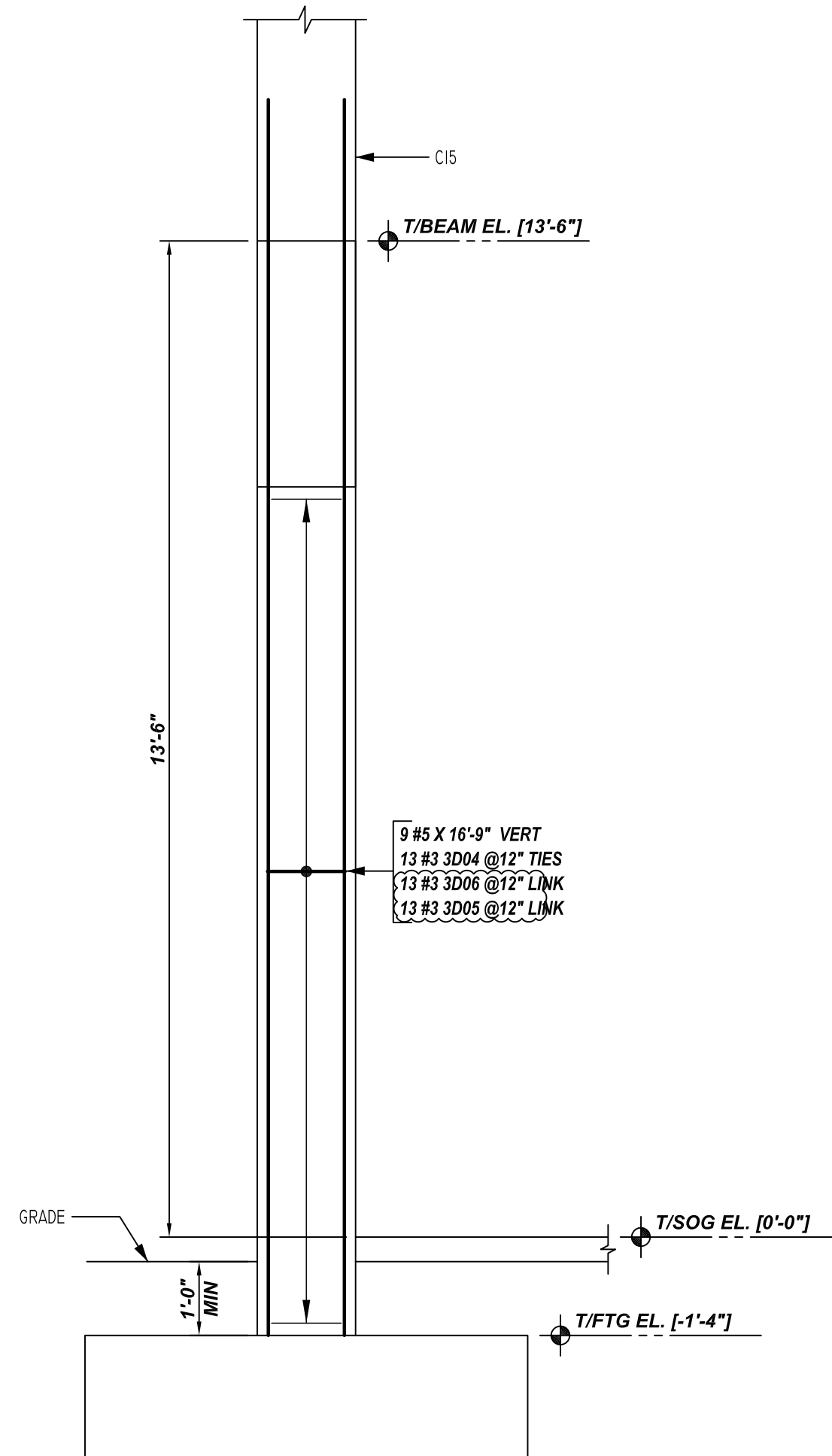
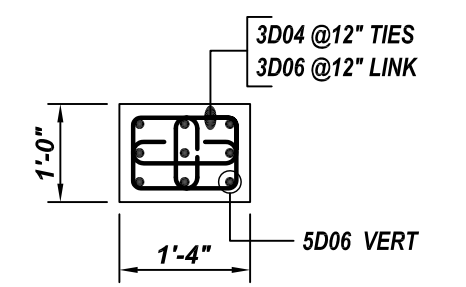
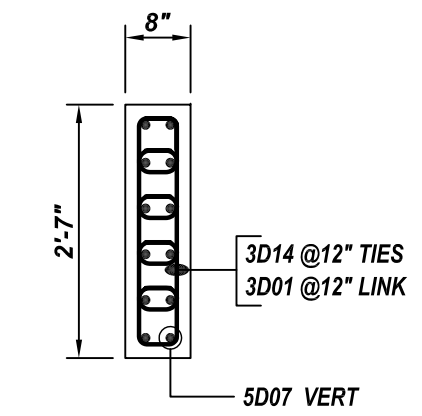
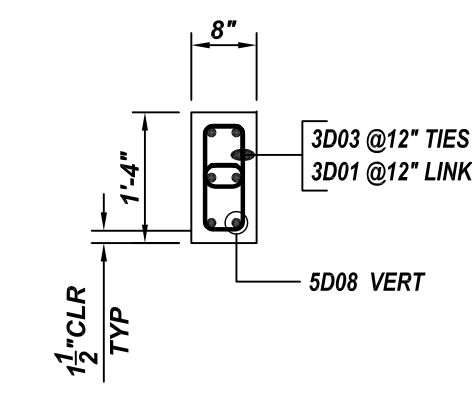
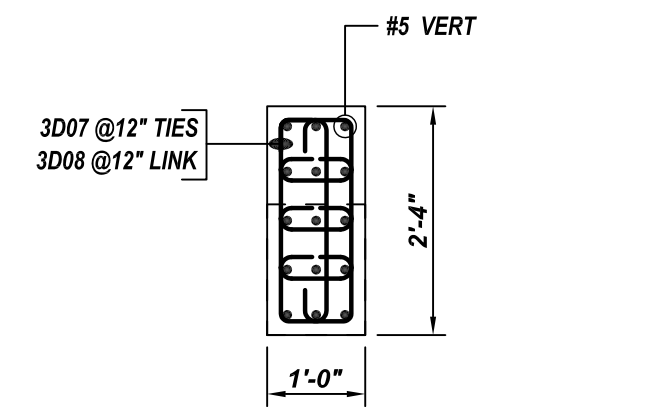
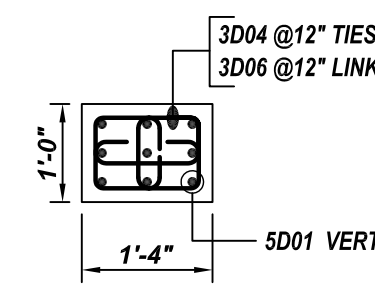
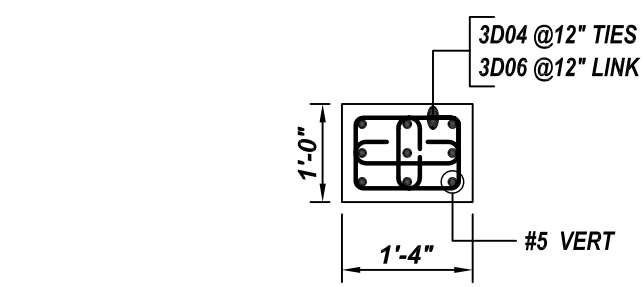
FOR COLUMN LAP

SIZE	36 Ø LAP
#3	14"
#4	18"
#5	23"
#6	27"
#7	32"
#8	36"
#9	41"
#10	46"
#11	51"

**ALL BARS IN THIS DRAWING  
ASTM A615 GRADE 60  
BLACK UNCOATED**



GRADE	60 A615		
PREFIX			
BAR LIST NOS.	PRINT RECORD		
	NO.	TO	FOR DATE
0	FOR APPROVAL	07/27/21	
<b>COLUMN REINFORCEMENT DETAILS</b>			
CUSTOMER	664 BOCA MARINA COURT		
LOCATION	BOCA RATON, FLORIDA		
DRAWN	DATE	CONTROL CODE	DWG. NO.
RPR/MET	07/27/2021	-	R07



**COLUMN-C15**  
SCALE - 1/2"=1'-0"  
REF:-  
(LOCATION-1)

**COLUMN-C15A**  
SCALE - 1/2"=1'-0"  
REF:-  
(LOCATION-2)

**COLUMN-C16**  
SCALE - 1/2"=1'-0"  
REF:-  
(LOCATION-1)

**COLUMN-C9C**  
SCALE - 1/2"=1'-0"  
REF:-  
(LOCATION-2)

**COLUMN-C12**  
SCALE - 1/2"=1'-0"  
REF:-  
(LOCATION-2)

**COLUMN-C15B**  
SCALE - 1/2"=1'-0"  
REF:-  
(LOCATION-2)

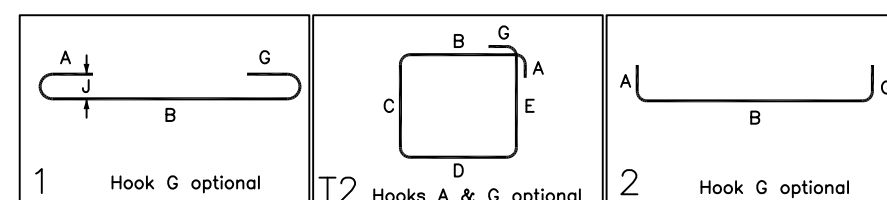
Release Number: R08

Bar Mark	Qty	Size	Total Length	Type	X'	Y'	Z'	X''	Y''	Z''	X'''	Y'''	Z'''
3001	100	#3	1'-3"	1	0'-5"	0'-5"							
3003	20	#3	3'-8"	12	0'-4"	0'-5"	1'-1"	0'-5"	1'-1"			0'-3"	
3004	55	#3	4'-4"	12	0'-4"	1'-1"	0'-9"	1'-1"	0'-9"				
3005	97	#3	1'-7"	1	0'-5"	0'-9"						0'-3"	
3006	55	#3	1'-11"	1	0'-5"	1'-1"							
3007	14	#3	6'-4"	12	0'-4"	2'-1"	0'-9"	2'-1"	0'-9"			0'-4"	
3008	14	#3	2'-11"	1	0'-5"	2'-1"						0'-3"	
3014	20	#3	6'-2"	12	0'-4"	0'-5"	2'-4"	0'-5"	2'-4"			0'-4"	
5001	18	#5	14'-8 3/4"	2	0'-10"	15'-10 3/4"							
5004	6	#5	19'-0 3/4"	2	0'-10"	18'-2 3/4"							
5006	18	#5	11'-2 3/4"	2	0'-10"	10'-4 3/4"							
5007	24	#5	10'-8 3/4"	2	0'-10"	9'-10 3/4"							
5008	12	#5	11'-1 3/4"	2	0'-10"	10'-3 3/4"							

FOR COLUMN LAP

SIZE	36 Ø LAP
#3	14"
#4	18"
#5	23"
#6	27"
#7	32"
#8	36"
#9	41"
#10	46"
#11	51"

**ALL BARS IN THIS DRAWING  
ASTM A615 GRADE 60  
BLACK UNCOATED**



GRADE	60 A615	PRINT RECORD	
PREFIX		NO.	TO FOR DATE
BAR LIST NOS.			
MK	REVISION	DATE	
0	FOR APPROVAL	07/27/21	
COLUMN REINFORCEMENT DETAILS			
CUSTOMER	664 BOCA MARINA COURT		
JOB	BOCA RATION, FLORIDA		
LOCATION			
DRAWN	DATE	CONTROL CODE	DWG. NO.
RPR/MET	07/27/2021	-	R08