

BUILDING-A PANEL KEYPLAN
 REF: SA111 (DT.02/07/22)
 SCALE: 1/16" = 1'-0"



LEGEND	
P	PANEL

TYPICAL REINFORCING BAR CLEARANCE TABLE	
LOCATION	MIN. COVER
PANEL	1 1/2" CLR

**ALL BARS IN THIS DRAWING
 ASTM A615 GRADE 60
 BLACK UNCOATED**

FOR APPROVAL

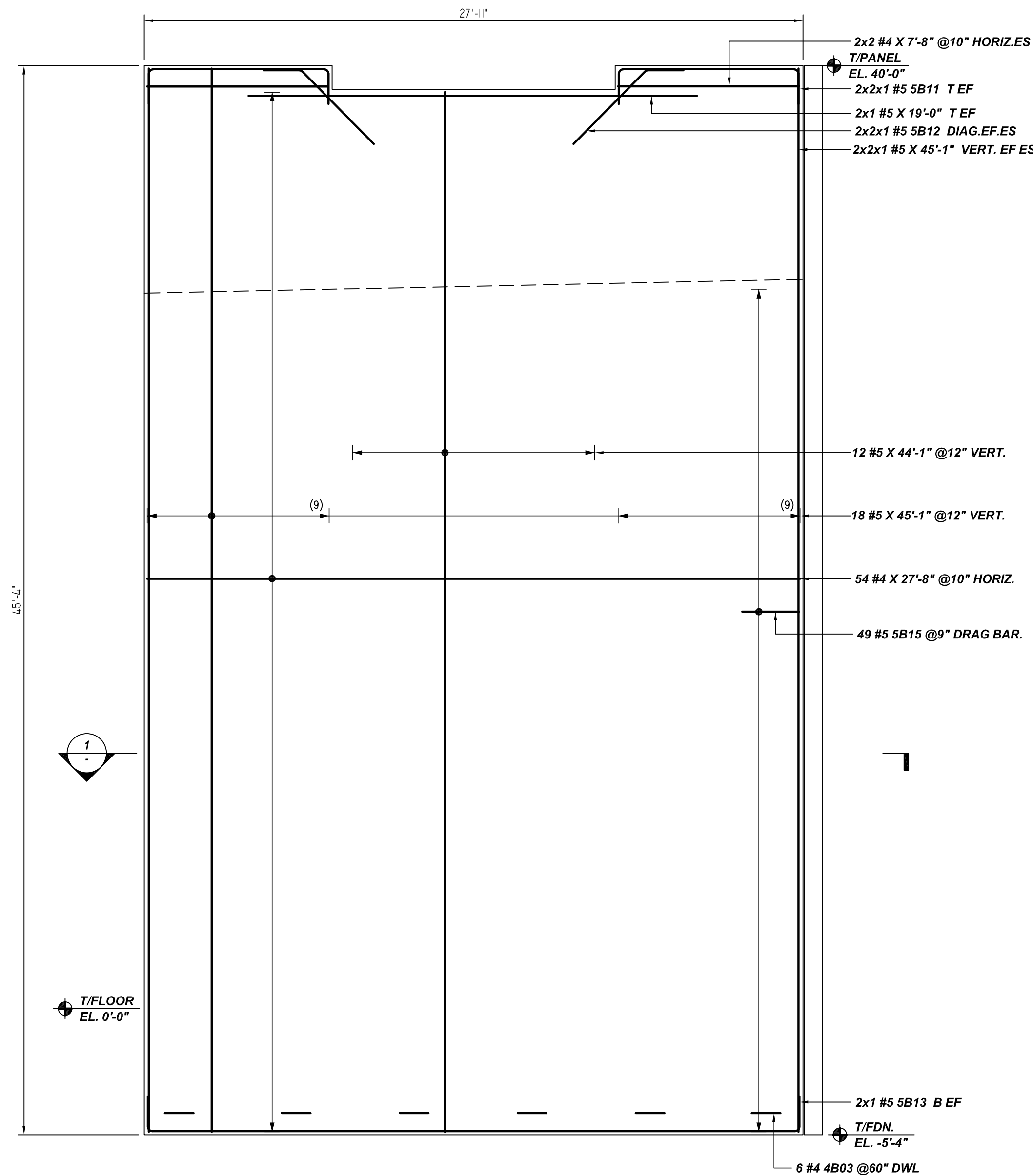
LAP SCHEDULE

4000 PSI (CLASS-B) CASE - 1
 Per SS.01/3

BAR#	LENGTHS	
	TOP	OTHERS
#3	24"	19"
#4	33"	25"
#5	41"	31"
#6	49"	37"
#7	71"	54"
#8	81"	62"
#9	91"	70"
#10	102"	79"
#11	113"	87"

ALL TOP BARS ARE DEFINED AS
 HORIZ BARS WITH MORE THAN
 12" OF CONCRETE BELOW BARS.

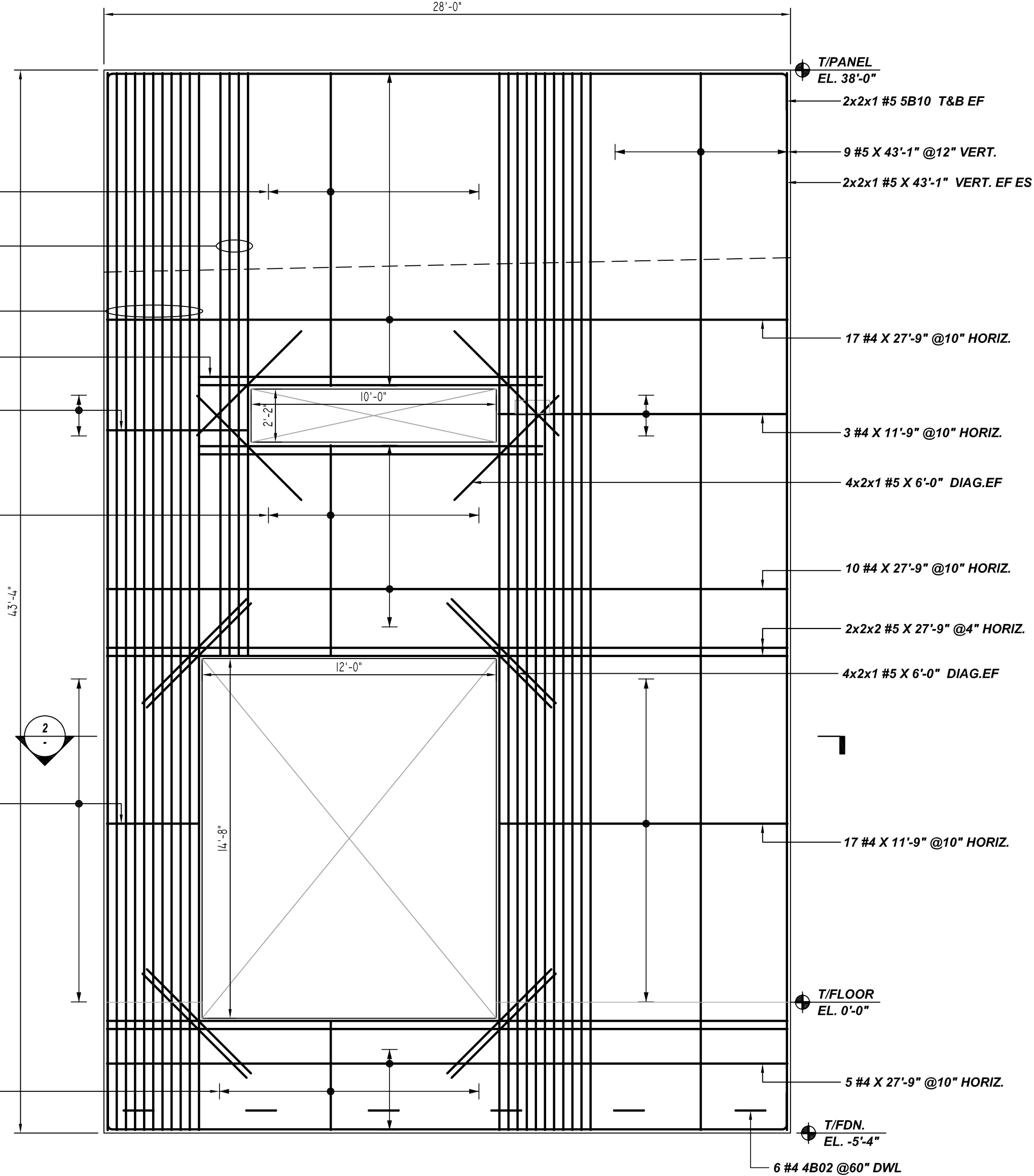
GRADE	A615/60(UNO)		
PREFIX	B		
BAR LIST NOS.			
REV	DESCRIPTION	ISSUED DATE	ISSUED FOR
0	IFA	09/20/2022	APPROVAL
STRUCTURE BUILDING-A PANEL REINFORCEMENT DETAILS			
FLOOR A1 TO A20 PANEL (EL: -5'-4" TO 40')			
JOB NO. --			
CUSTOMER --			
JOB ELLIOT GATEWAY TECH CENTER			
LOCATION 10650 E. ELLIOT ROAD.			
DRAWN	DATE	CONTROL CODE	DWG. NO.
MRS	09/20/2022	-	R05



9" THK PANEL

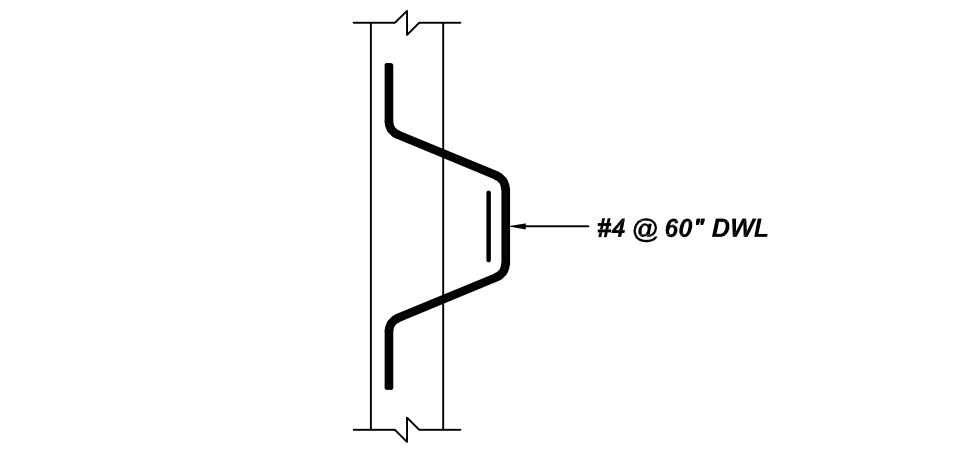
PANEL A1
 REF: TYPE-1/S-303(DT.02/07/22)
 REF: SA111, SA301(DT.02/07/22)
 SCALE: 1/4" = 1'-0"

A/E PLEASE VERIFY STOCK LENGTH EXCEED 40'-0" PLEASE CONFIRM (TYP.)

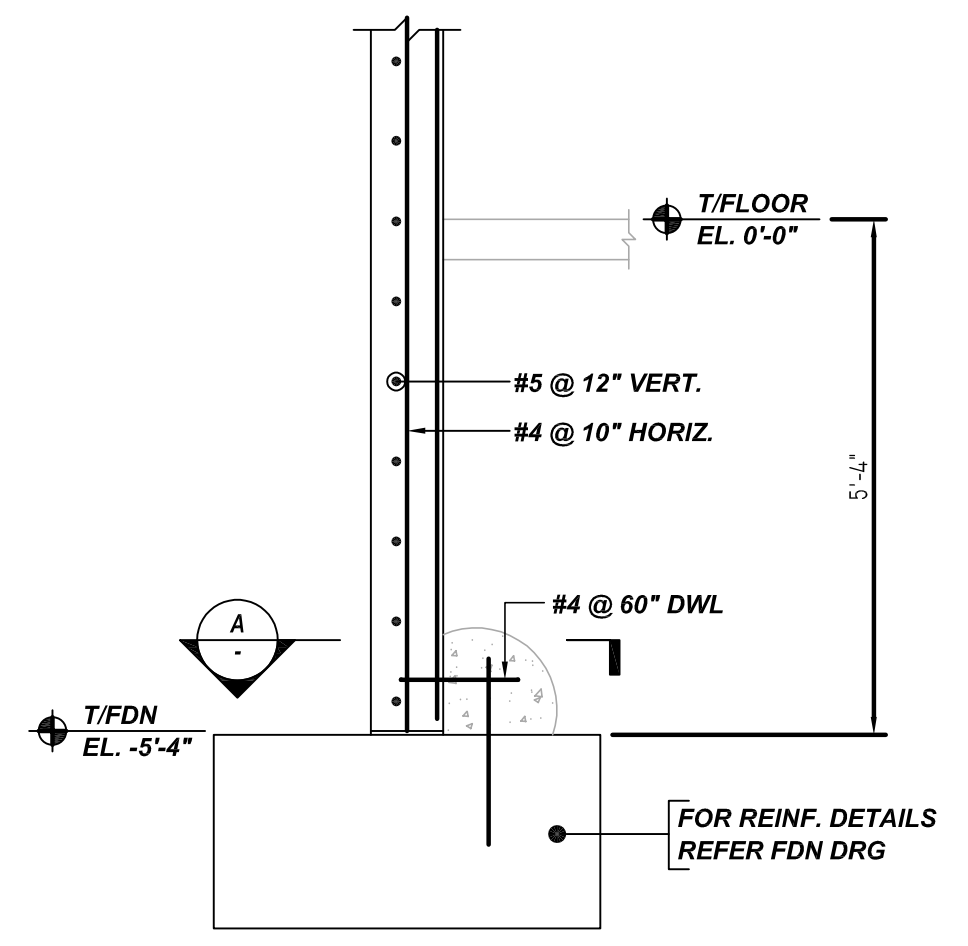


9" THK PANEL

PANEL A2
 REF: TYPE-6/S-304(DT.02/07/22)
 REF: SA111, SA301(DT.02/07/22)
 SCALE: 1/4" = 1'-0"

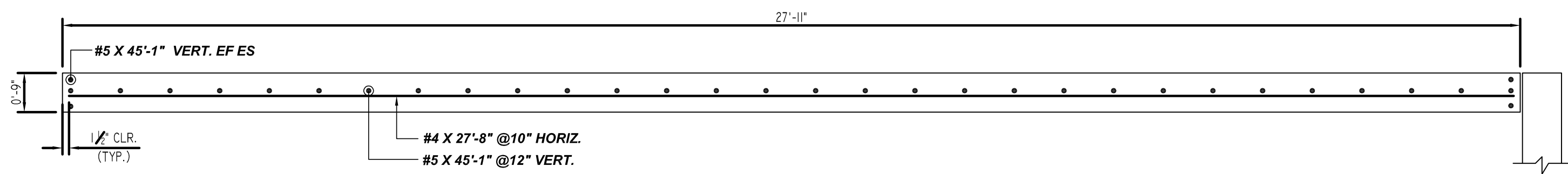


A SECTION
 REF: S-401/102 (DT.02/07/22)
 SCALE: 1/2" = 1'-0"



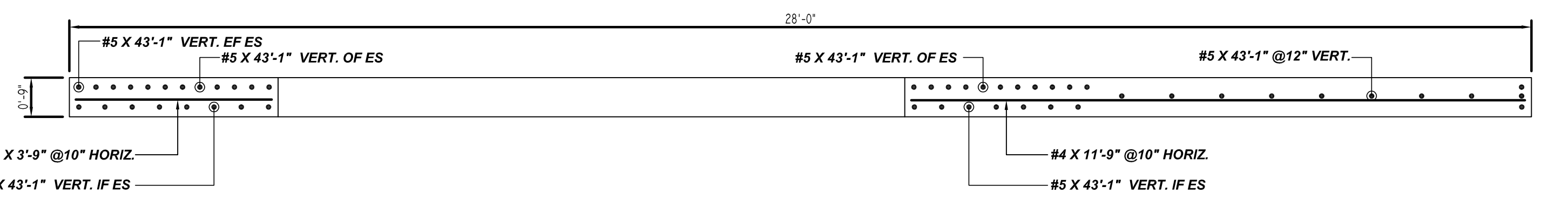
REF: S-401/102 (DT.02/07/22)
 SCALE: 1/2" = 1'-0"

TYPICAL PRECAST CONCRETE PANEL AT CONCRETE FOOTING



1 SECTION

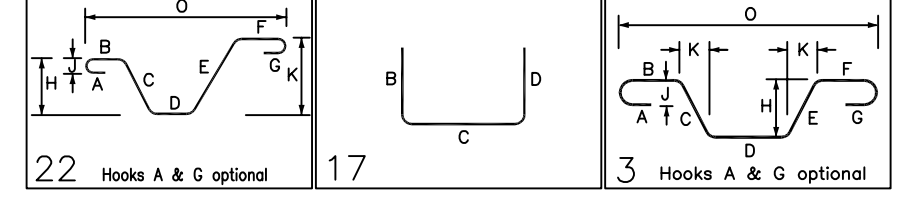
REF: SA111, SA301 & S303 (DT.02/07/22)
 SCALE: 1/2" = 1'-0"



2 SECTION

REF: SA111, SA301 & S304 (DT.02/07/22)
 SCALE: 1/2" = 1'-0"

Bar No.	Qty	Size	Total Length	Type	X	Y	Z	X	Y	Z	X	Y	Z
4802	6	#4	5'-0"	22		0'-8"	1'-4"	1'-0"	1'-4"	0'-8"	1'-3"	1'-3"	3'-3"
4803	6	#4	5'-0"	22		0'-8"	1'-4"	1'-0"	1'-4"	0'-8"	1'-3"	1'-3"	3'-3"
5810	4	#5	30'-8"	17		1'-8"	27'-9"	1'-8"					
5811	4	#5	10'-8"	17		1'-8"	7'-8"	1'-8"					
5812	4	#5	5'-11"	3		1'-7"	4'-4"				3'-2"	3'-0"	4'-7"
5813	2	#5	30'-8"	17		1'-8"	27'-9"	1'-8"					
5815	4	#5	2'-5"	3		0'-5"	2'-0"				0'-3"	1'-11"	2'-4"



LAP SCHEDULE

4000 PSI (CLASS-B) CASE - 1
 Per S5.01/3

BAR#	LENGTHS	
	TOP	OTHERS
#3	24"	19"
#4	33"	25"
#5	41"	31"
#6	49"	37"
#7	71"	54"
#8	81"	62"
#9	91"	70"
#10	102"	79"
#11	113"	87"

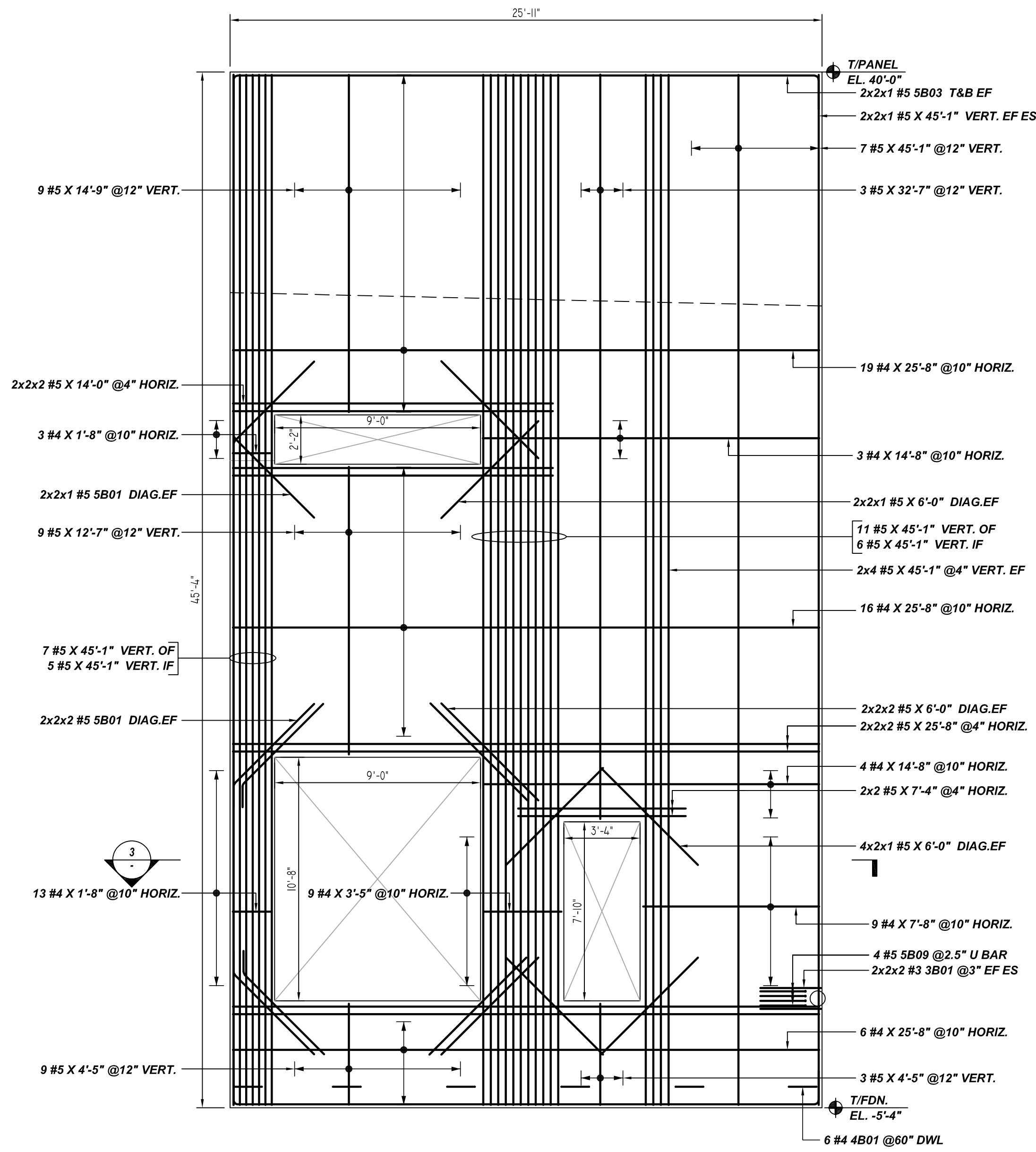
ALL TOP BARS ARE DEFINED AS HORIZ BARS WITH MORE THAN 12" OF CONCRETE BELOW BARS.

TYPICAL REINFORCING BAR CLEARANCE TABLE	
LOCATION	MIN. COVER
PANEL	1 1/2" CLR

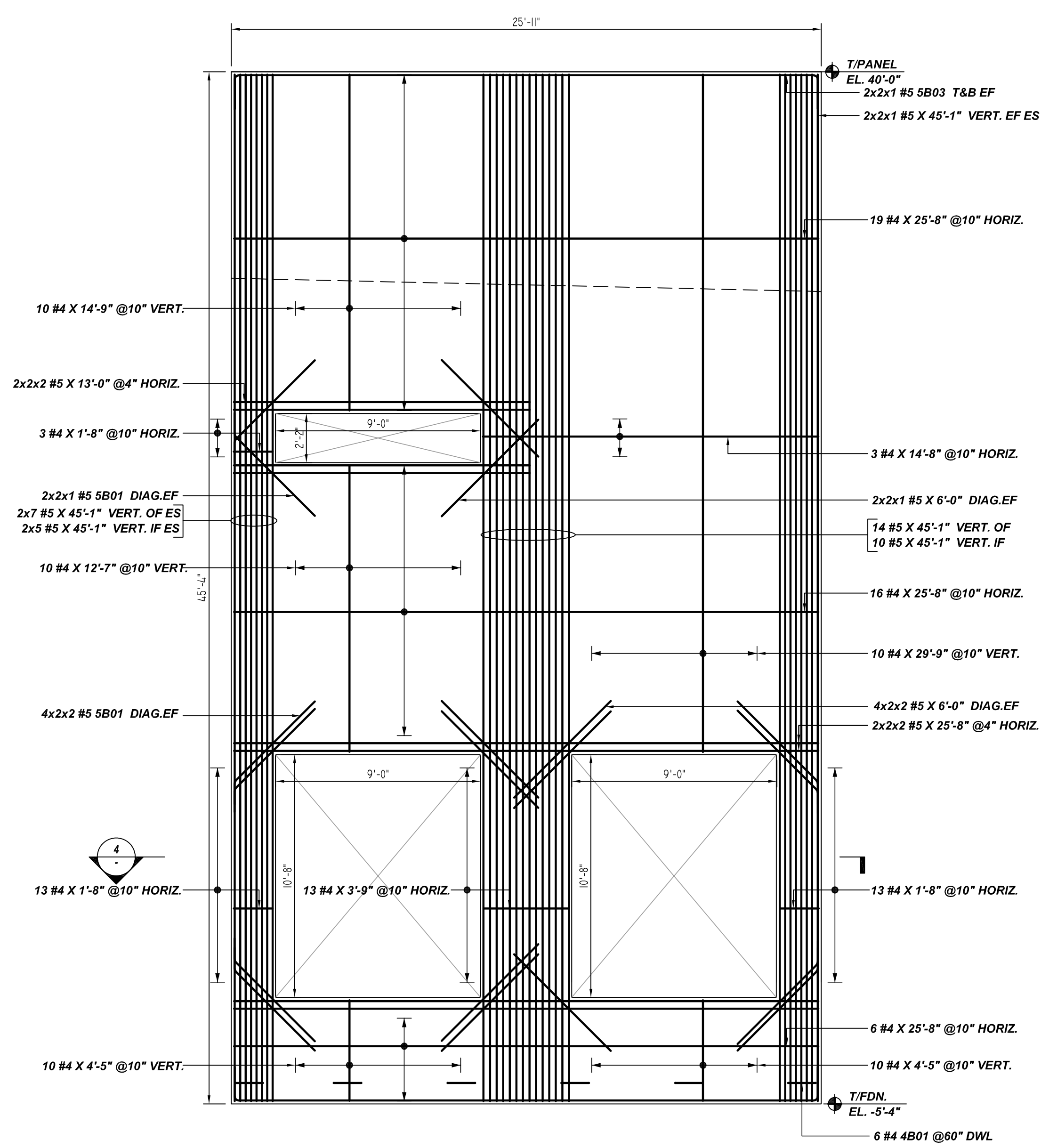
**ALL BARS IN THIS DRAWING
 ASTM A615 GRADE 60
 BLACK UNCOATED**

FOR APPROVAL

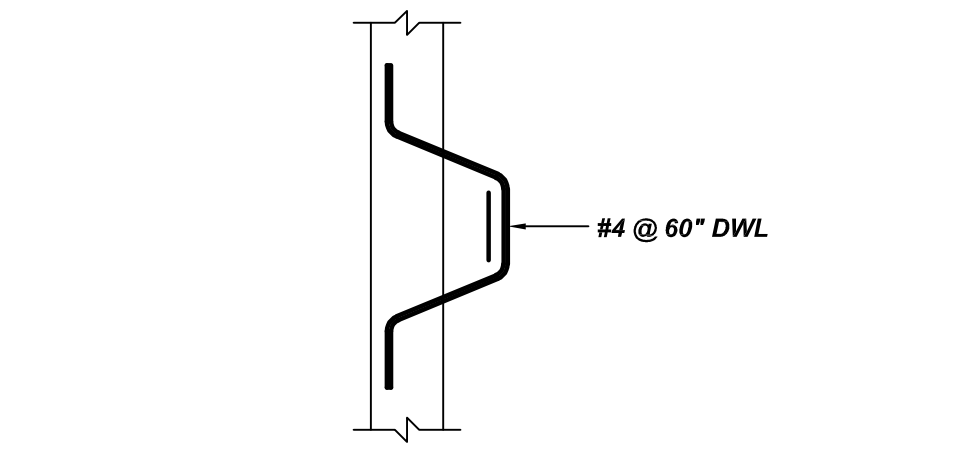
GRADE	A615/60(UNO)		
PREFIX	B		
BAR LIST NOS.			
REV	DESCRIPTION	ISSUED DATE	ISSUED FOR
0	IFA	09/20/2022	APPROVAL
STRUCTURE	BUILDING-A PANEL REINFORCEMENT DETAILS		
FLOOR	A1&A2 PANEL (EL: -5'-4" TO 40'-0")		
JOB NO	-		
CUSTOMER	-		
JOB	ELLIOT GATEWAY TECH CENTER		
LOCATION	10650 E. ELLIOT ROAD.		
DRAWN	DATE	CONTROL CODE	DWG. NO.
MRS	09/20/2022	-	R06



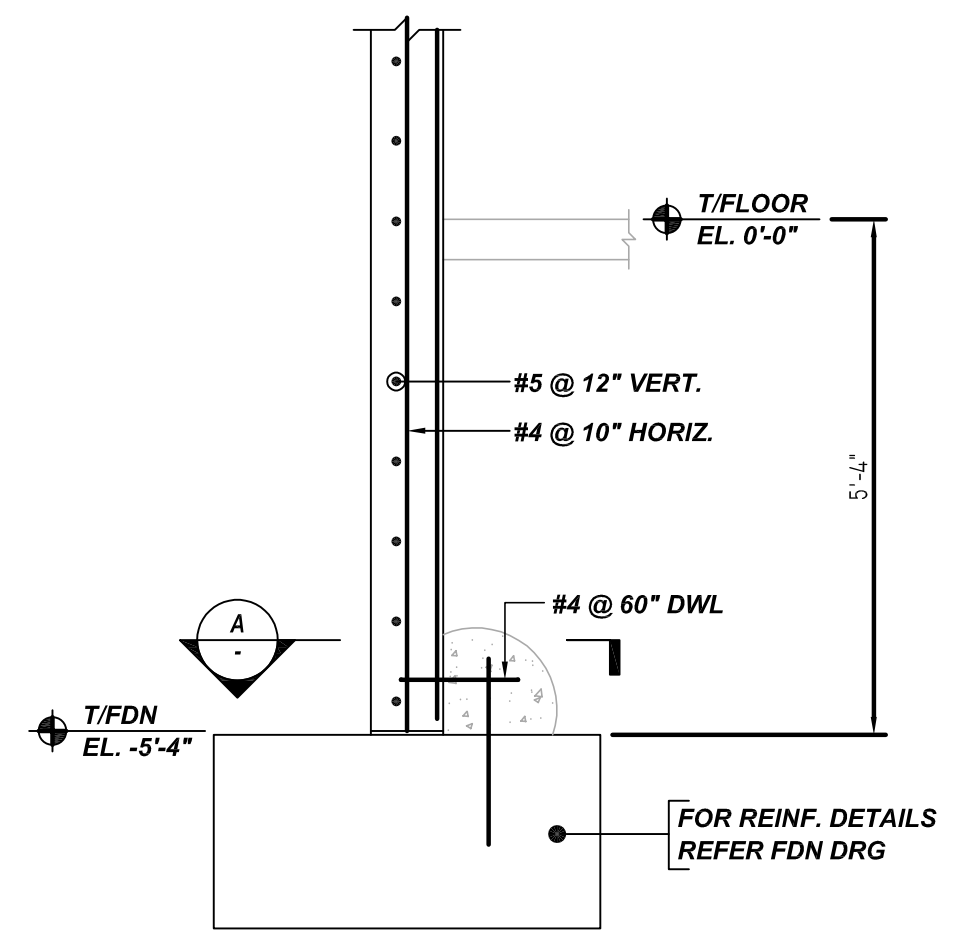
PANEL A3
 REF:TYPE-4/S-303(DT.02/07/22)
 REF:SA111, SA301(DT.02/07/22)
 SCALE: 1/4" = 1'-0"
 A/E PLEASE VERIFY STOCK LENGTH EXCEED 40'-0" PLEASE CONFIRM (TYP.)



PANEL A4
 REF:TYPE-3/S-303(DT.02/07/22)
 REF:SA111, SA301(DT.02/07/22)
 SCALE: 1/4" = 1'-0"

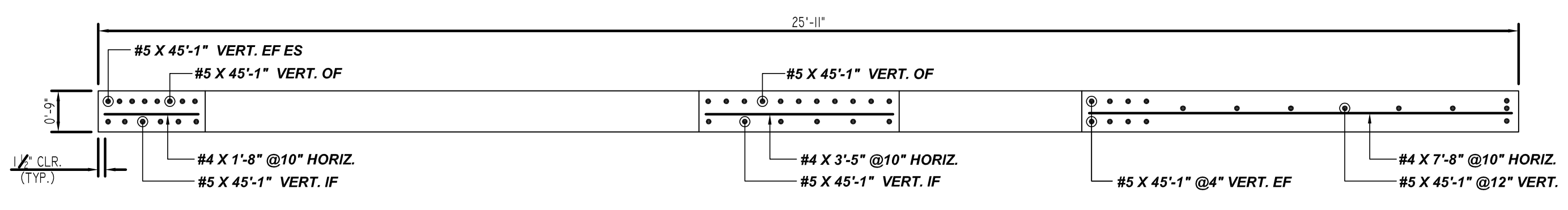


A SECTION
 REF:S-401/102 (DT.02/07/22)
 SCALE: 1/2" = 1'-0"

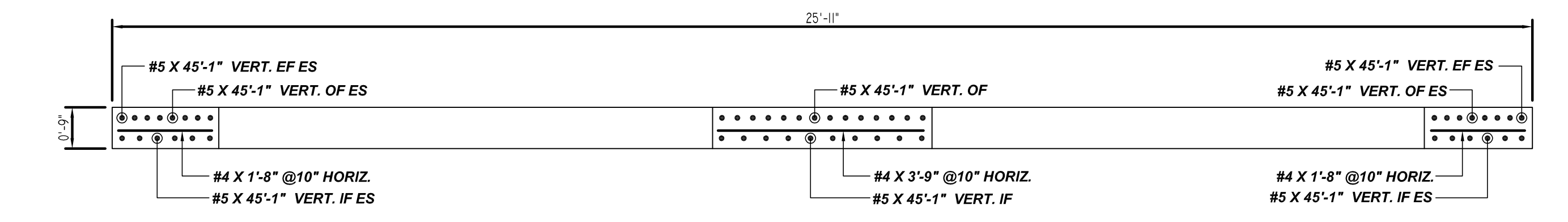


REF:S-401/102 (DT.02/07/22)
 SCALE: 1/2" = 1'-0"

TYPICAL PRECAST CONCRETE PANEL AT CONCRETE FOOTING

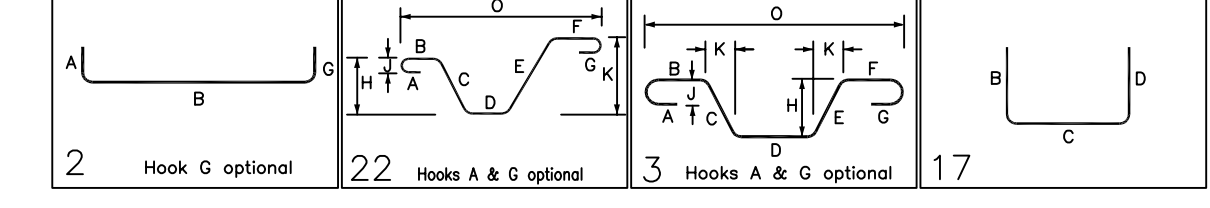


3 SECTION
 REF:SA111, SA301 & S303(DT.02/07/22)
 SCALE: 1/2" = 1'-0"



4 SECTION
 REF:SA111, SA301 & S303 (DT.02/07/22)
 SCALE: 1/2" = 1'-0"

Bar Mark	Qty	Size	Total Length	Type	X	Y	Z	W	V	U	T	S	R	Q	P	O	N	M	L	K	J	I	H	G	F	E	D	C	B	A		
5B01	8	#5	3'-11"	2	0'-5"	2'-3"																										
4B01	12	#4	5'-0"	22	0'-8"	1'-4"	1'-0"	1'-4"	0'-8"																							
5B01	30	#5	5'-11"	3	1'-0"	4'-11"																										
5B03	8	#5	28'-8"	17	1'-8"	25'-8"	1'-8"																									
5B09	4	#5	4'-8"	17	2'-0"	0'-8"	2'-0"																									



LAP SCHEDULE
 4000 PSI (CLASS-B) CASE - 1
 Per S5.01/3

BAR#	LENGTHS	
	TOP	OTHERS
#3	24"	19"
#4	33"	25"
#5	41"	31"
#6	49"	37"
#7	71"	54"
#8	81"	62"
#9	91"	70"
#10	102"	79"
#11	113"	87"

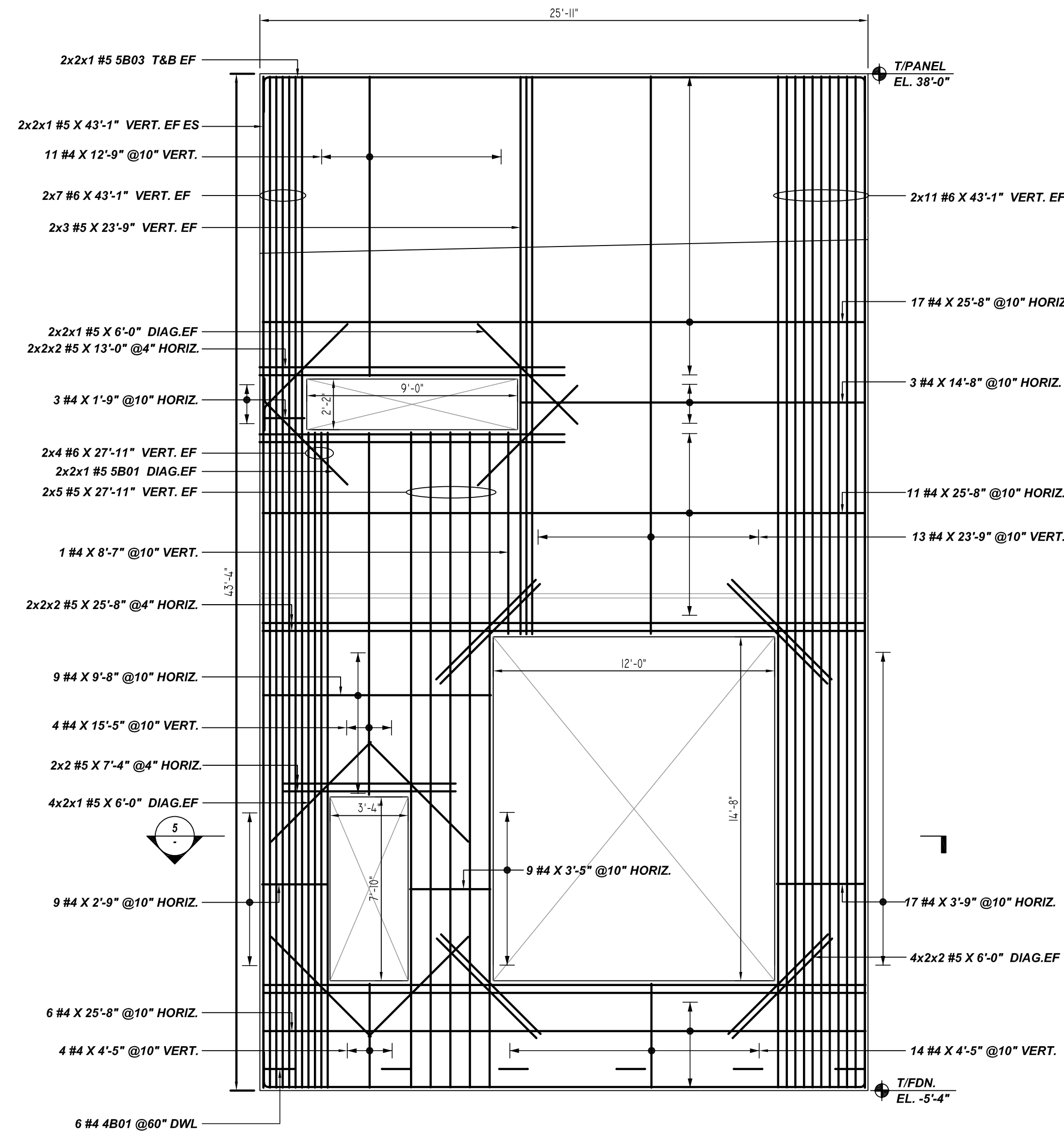
TYPICAL REINFORCING BAR CLEARANCE TABLE	
LOCATION	MIN. COVER
PANEL	1 1/2" CLR

**ALL BARS IN THIS DRAWING
 ASTM A615 GRADE 60
 BLACK UNCOATED**

ALL TOP BARS ARE DEFINED AS HORIZ BARS WITH MORE THAN 12" OF CONCRETE BELOW BARS.

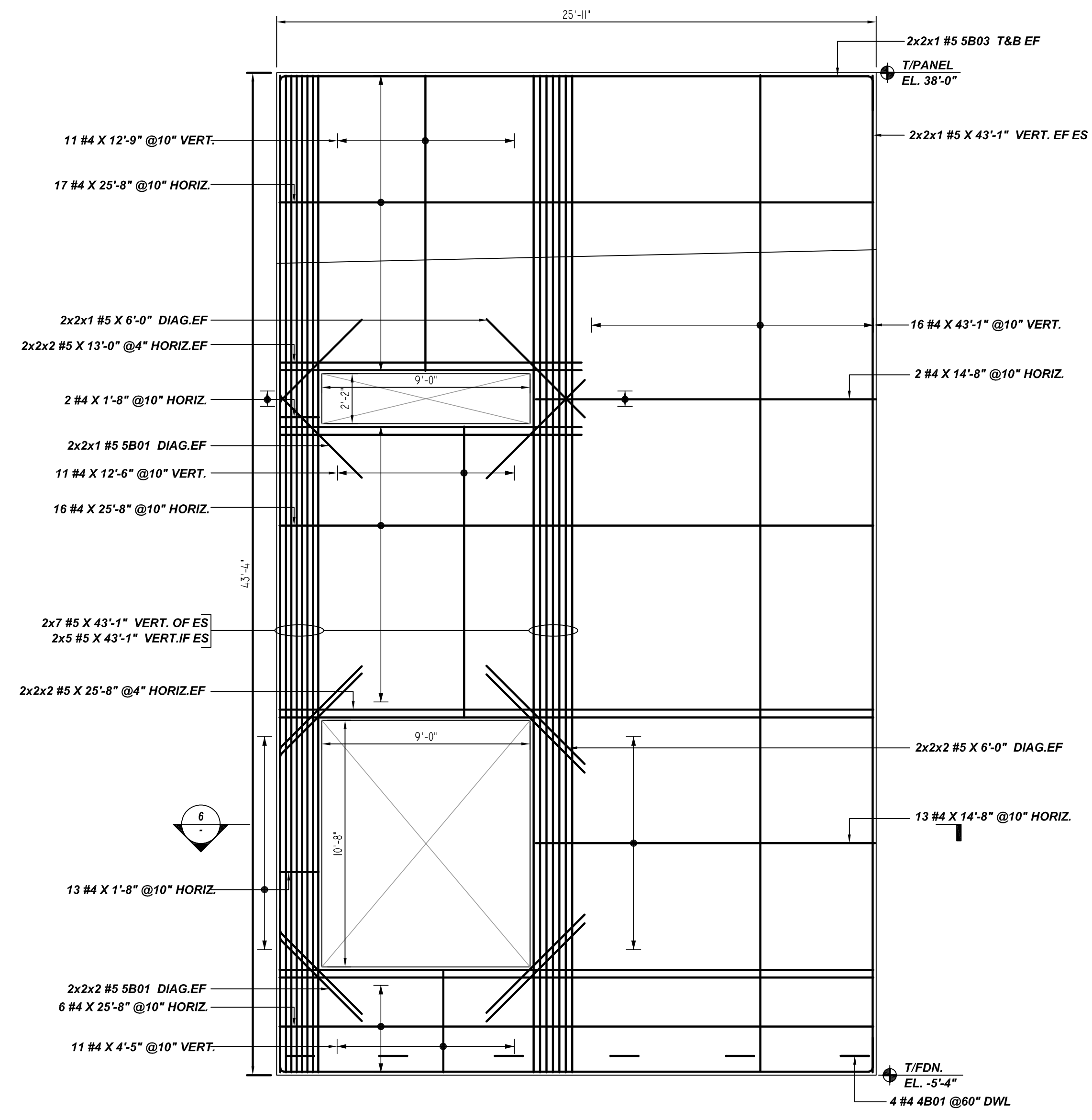
FOR APPROVAL

GRADE	A615/60(UNO)		
PREFIX	B		
BAR LIST NOS.			
REV	DESCRIPTION	ISSUED DATE	ISSUED FOR
0	IFA	09/20/2022	APPROVAL
STRUCTURE	BUILDING-A PANEL REINFORCEMENT DETAILS		
FLOOR	A3&A4 PANEL (EL: -5'-4" TO 40'-0")		
JOB NO	-		
CUSTOMER	-		
JOB	ELLIOT GATEWAY TECH CENTER		
LOCATION	10650 E. ELLIOT ROAD.		
DRAWN	DATE	CONTROL CODE	DWG. NO.
MRS	09/20/2022	-	R07

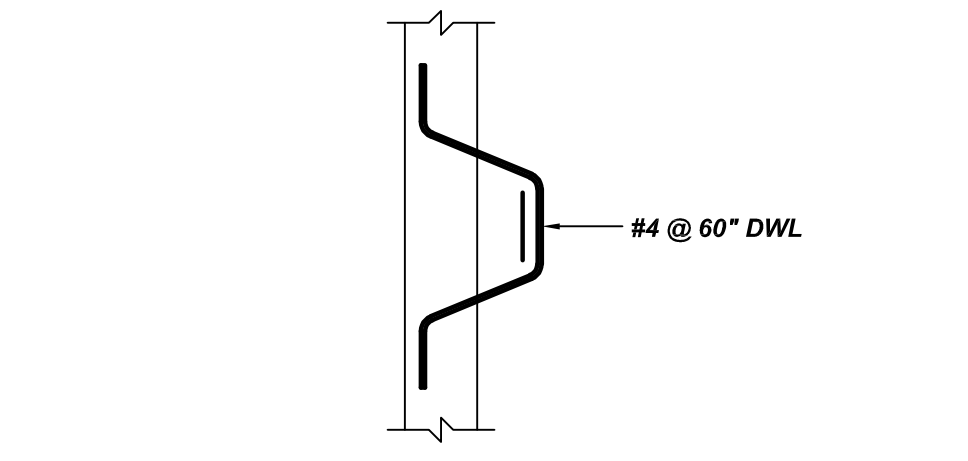


PANEL A5
 REF: TYPE-11/S-305 (DT.02/07/22)
 REF: SA111, SA301 (DT.02/07/22)
 SCALE: 1/4" = 1'-0"

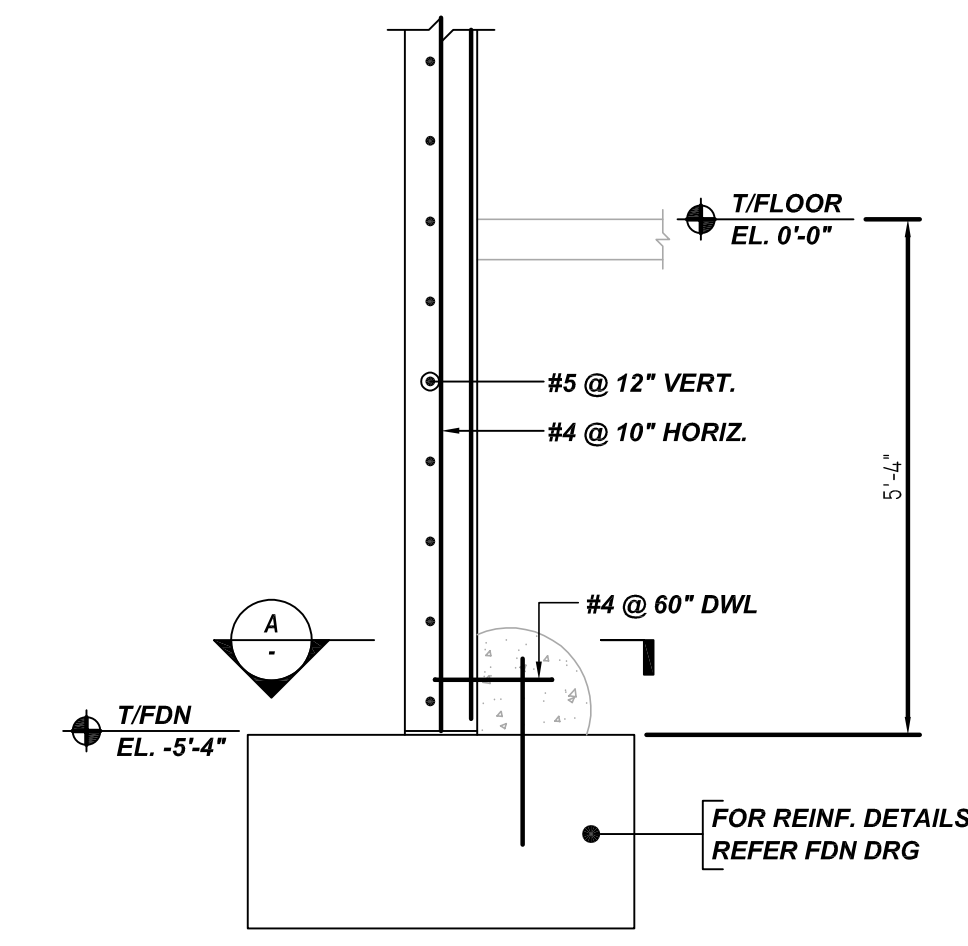
A/E PLEASE VERIFY STOCK LENGTH EXCEED 40'-0" PLEASE CONFIRM (TYP.)



PANEL A6
 REF: TYPE-3A/S-303 (DT.02/07/22)
 REF: SA111, SA301 (DT.02/07/22)
 SCALE: 1/4" = 1'-0"

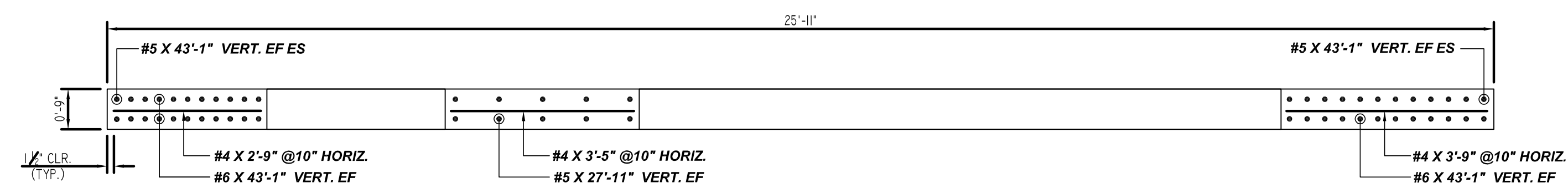


A SECTION
 REF: S-401/102 (DT.02/07/22)
 SCALE: 1/2" = 1'-0"

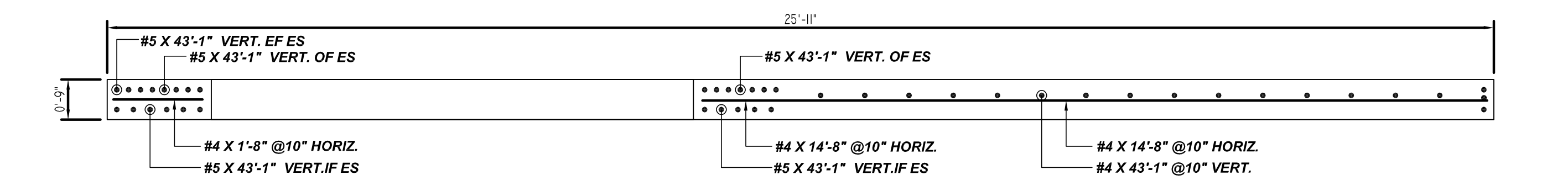


REF: S-401/102 (DT.02/07/22)
 SCALE: 1/2" = 1'-0"

TYPICAL PRECAST CONCRETE PANEL AT CONCRETE FOOTING

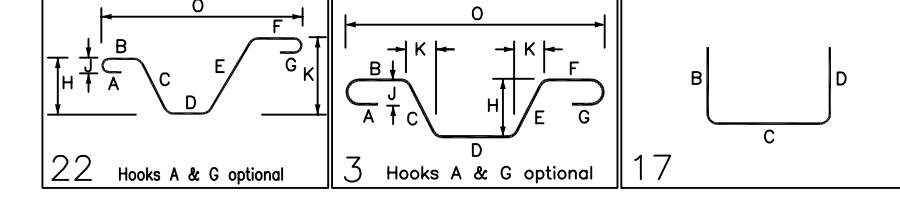


5 SECTION
 REF: SA111, SA301 & S304 (DT.02/07/22)
 SCALE: 1/2" = 1'-0"



6 SECTION
 REF: SA111, SA301 & S303 (DT.02/07/22)
 SCALE: 1/2" = 1'-0"

Bar Mark	Qty	Size	Total Length	Type	X	Y	Z	W	V	U	T	S	R	Q	P	O	N	M	L	K	J	I	H	G	F	E	D	C	B	A
4801	10	#4	5'-0 X	22																										
5801	16	#5	5'-11 X	3																										
5803	8	#5	28'-8	17																										



LOCATION	MIN. COVER
PANEL	1 1/2" CLR

LAP SCHEDULE
 4000 PSI (CLASS-B) CASE - 1
 Per S5.01/3

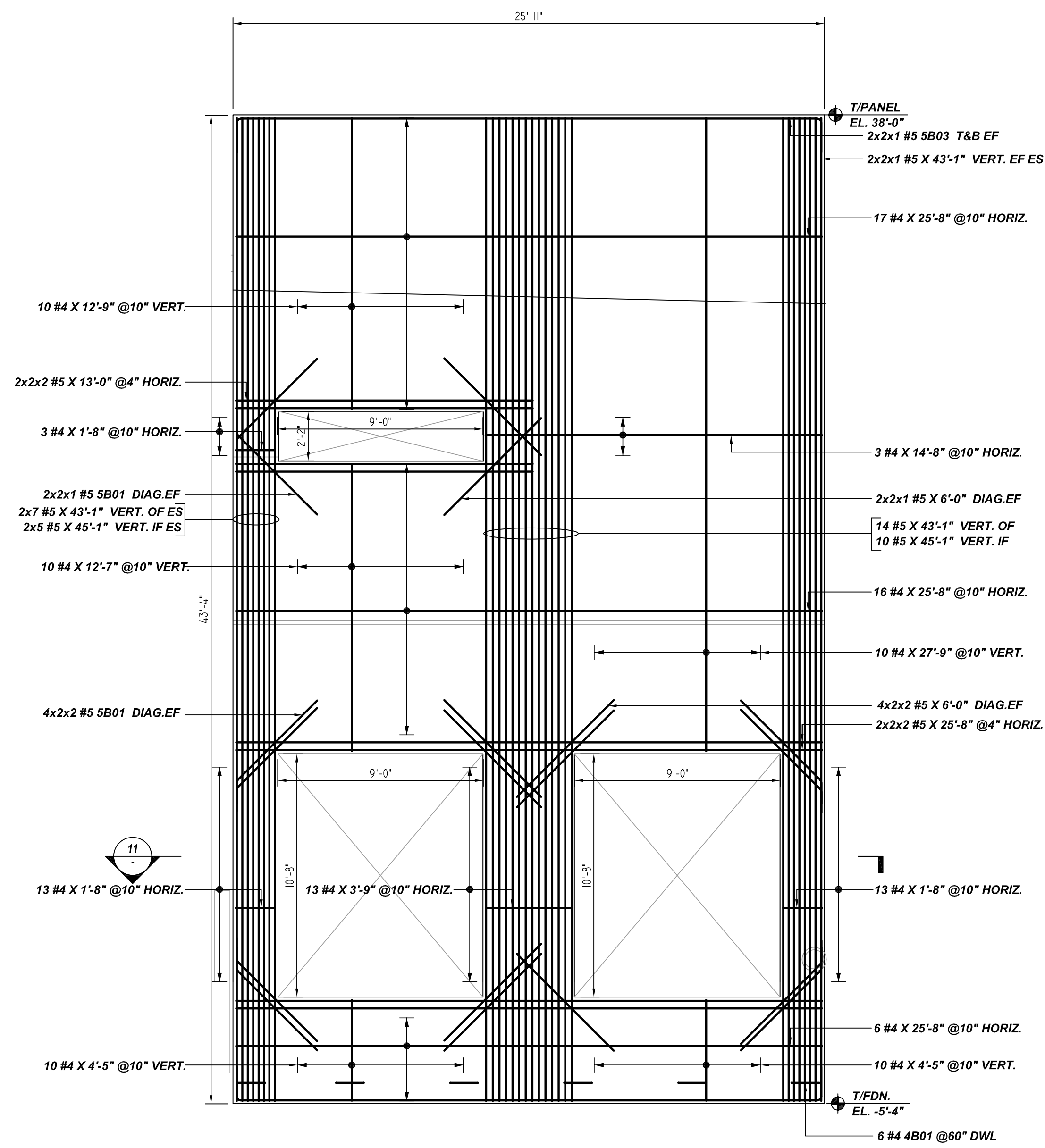
BAR#	LENGTHS	
	TOP	OTHERS
#3	24"	19"
#4	33"	25"
#5	41"	31"
#6	49"	37"
#7	71"	54"
#8	81"	62"
#9	91"	70"
#10	102"	79"
#11	113"	87"

**ALL BARS IN THIS DRAWING
 ASTM A615 GRADE 60
 BLACK UNCOATED**

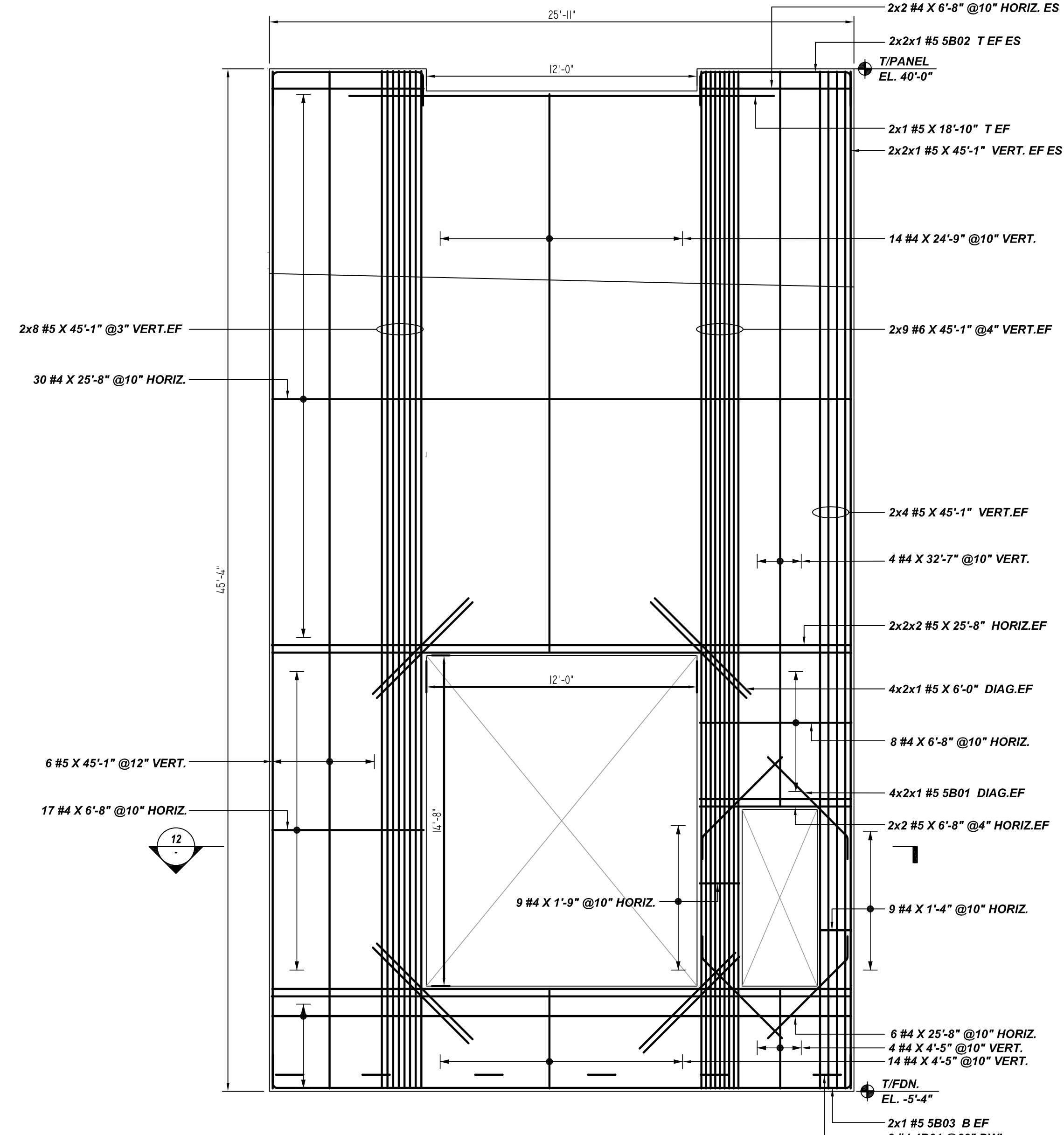
FOR APPROVAL

ALL TOP BARS ARE DEFINED AS HORIZ BARS WITH MORE THAN 12" OF CONCRETE BELOW BARS.

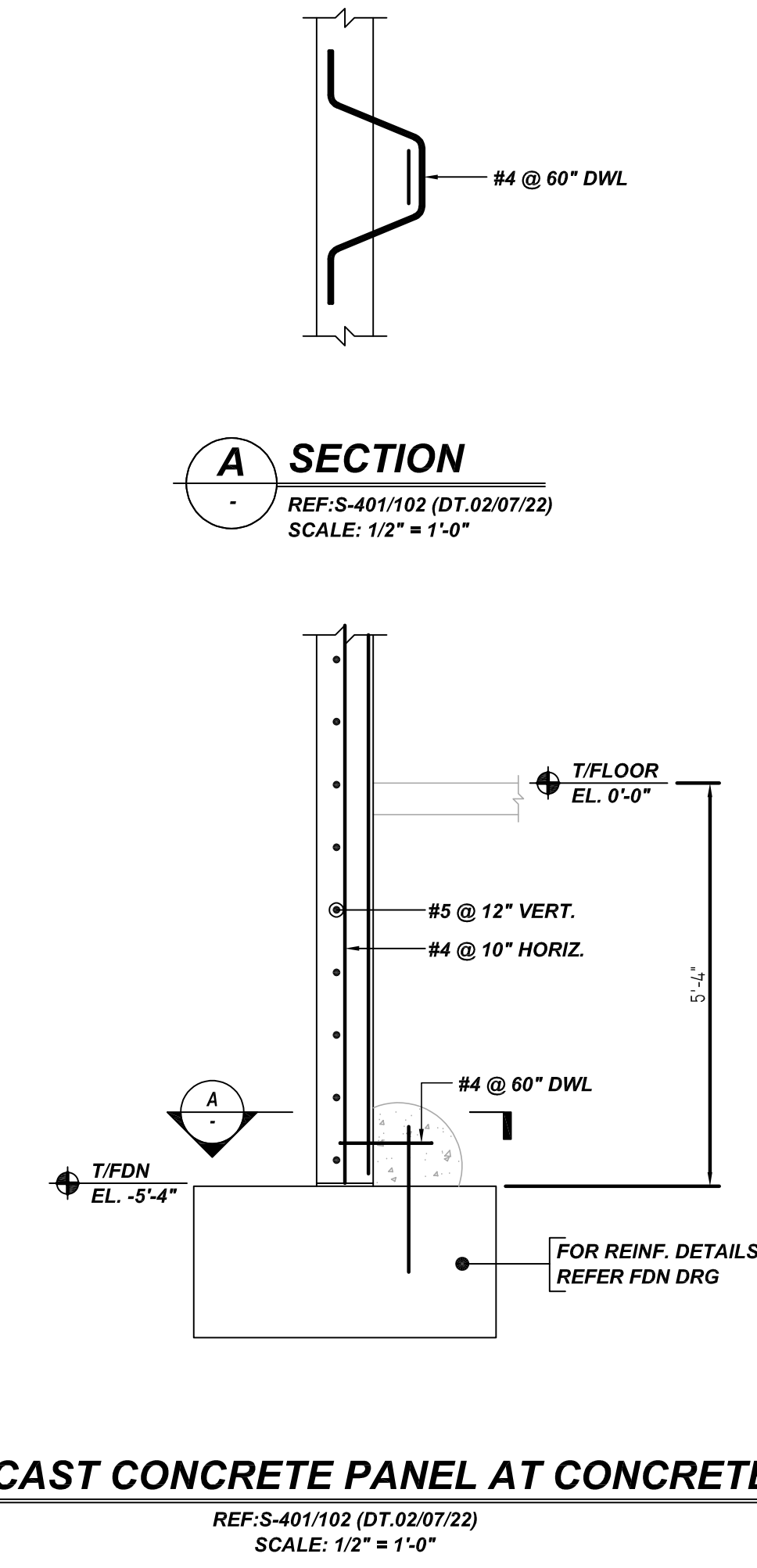
GRADE	A615/60(UNO)		
PREFIX	B		
BAR LIST NOS.			
REV	DESCRIPTION	ISSUED DATE	ISSUED FOR
0	IFA	09/20/2022	APPROVAL
STRUCTURE	BUILDING-A PANEL REINFORCEMENT DETAILS		
FLOOR	A5&A6 PANEL (EL: -5'-4" TO 40'-0")		
JOB NO	-		
CUSTOMER	-		
JOB	ELLIOT GATEWAY TECH CENTER		
LOCATION	10650 E. ELLIOT ROAD.		
DRAWN	DATE	CONTROL CODE	DWG. NO.
MRS	09/20/2022	-	R08



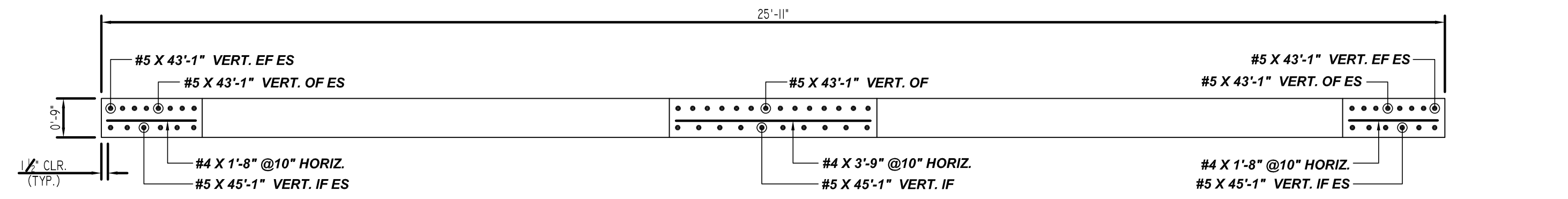
PANEL A11
 REF:TYPE-3/S-303(DT.02/07/22)
 REF:SA111, SA301(DT.02/07/22)
 SCALE: 1/4" = 1'-0"
 A/E PLEASE VERIFY STOCK LENGTH EXCEED 40'-0" PLEASE CONFIRM (TYP.)



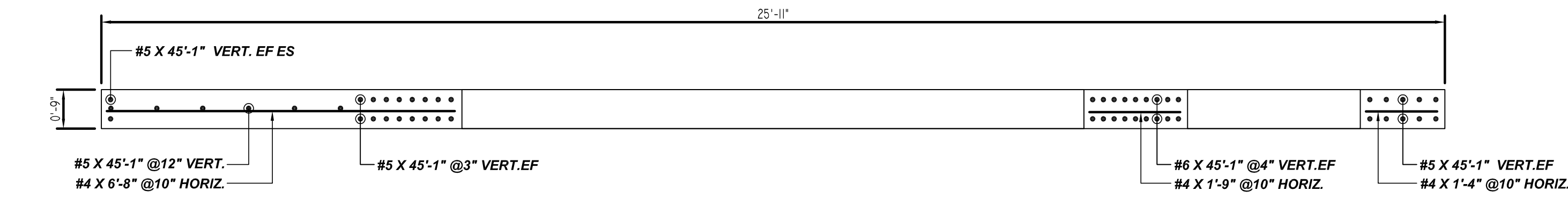
PANEL A12
 REF:TYPE-5/S-304(DT.02/07/22)
 REF:SA111, SA301(DT.02/07/22)
 SCALE: 1/4" = 1'-0"



TYPICAL PRECAST CONCRETE PANEL AT CONCRETE FOOTING
 REF:S-401/102 (DT.02/07/22)
 SCALE: 1/2" = 1'-0"



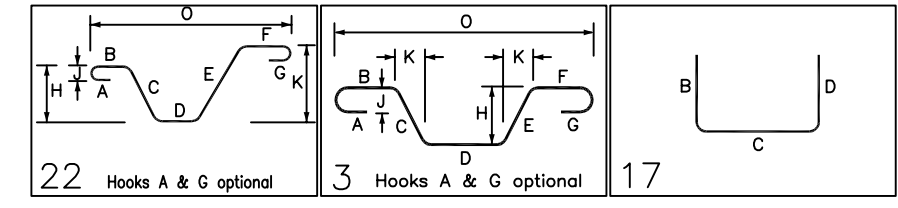
11 SECTION
 REF:SA111, SA301 & S303 (DT.02/07/22)
 SCALE: 1/2" = 1'-0"



12 SECTION
 REF:SA111, SA301 & S304 (DT.02/07/22)
 SCALE: 1/2" = 1'-0"

Release Number: R11

Bar Mark	Qty	Size	Total Length	Type	X	Y	Z	W	V	U	T	S	R	Q	P	O	N	M	L	K	J	I	H	G	F	E	D	C	B	A				
4B01	12	#4	5'-0 X	22																														
5B01	28	#5	5'-11 X	3																														
5B02	4	#5	9'-8 X	17																														
5B03	6	#5	28'-8	17																														



TYPICAL REINFORCING BAR CLEARANCE TABLE

LOCATION	MIN. COVER
PANEL	1 1/2" CLR

LAP SCHEDULE
 4000 PSI (CLASS-B) CASE - 1
 Per SS.01/3

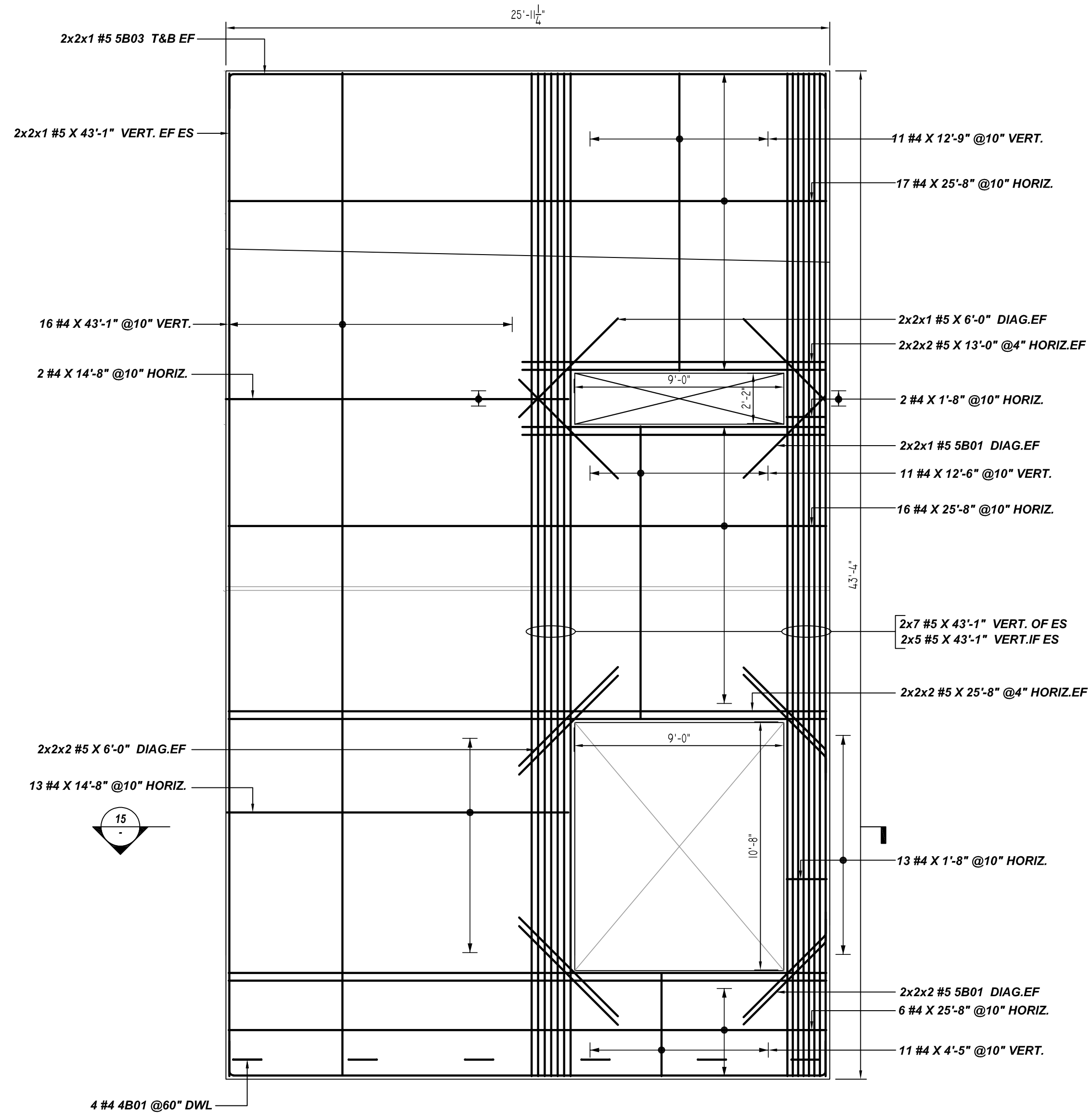
BAR#	LENGTHS	
	TOP	OTHERS
#3	24"	19"
#4	33"	25"
#5	41"	31"
#6	49"	37"
#7	71"	54"
#8	81"	62"
#9	91"	70"
#10	102"	79"
#11	113"	87"

**ALL BARS IN THIS DRAWING
 ASTM A615 GRADE 60
 BLACK UNCOATED**

ALL TOP BARS ARE DEFINED AS
 HORIZ BARS WITH MORE THAN
 12" OF CONCRETE BELOW BARS.

FOR APPROVAL

GRADE	A615/60(UNO)				
PREFIX	B				
BAR LIST NOS.					
REV	DESCRIPTION	ISSUED DATE	ISSUED FOR	STRUCTURE	BUILDING-A PANEL REINFORCEMENT DETAILS
0	IFA	09/20/2022	APPROVAL	FLOOR	A11&A12 PANEL (EL. -5'-4" TO 40')
				JOB NO	--
				CUSTOMER	--
				JOB	ELLIOT GATEWAY TECH CENTER
				LOCATION	10650 E. ELLIOT ROAD.
DRAWN	DATE	CONTROL CODE	DWG. NO.		
MRS	09/20/2022	-	R11		

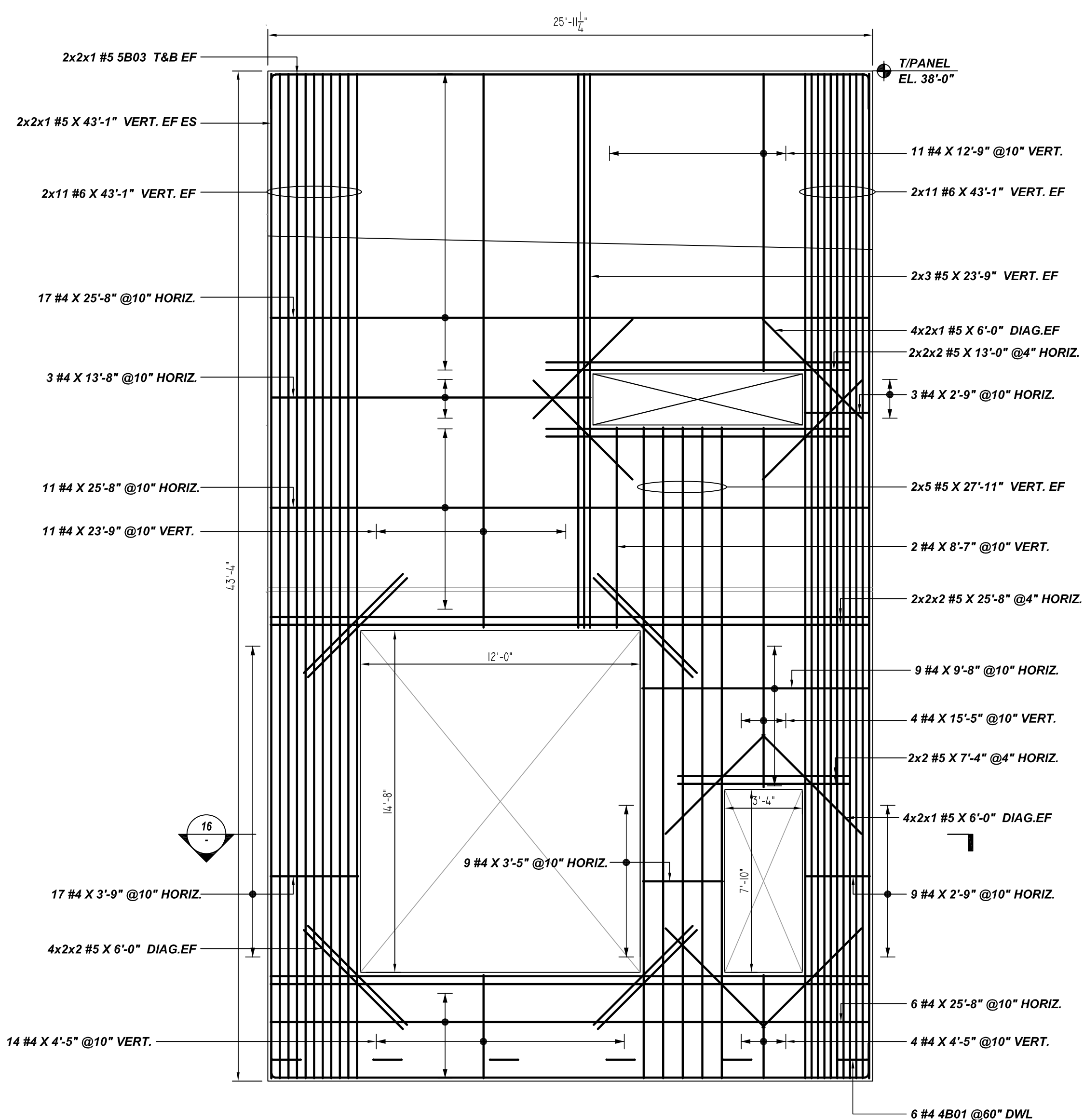


9" THK PANEL

PANEL A15

REF:TYPE-3A/S-303(DT.02/07/22)
REF:SA111, SA301(DT.02/07/22)
SCALE: 1/4" = 1'-0"

A/E PLEASE VERIFY STOCK LENGTH EXCEED 40'-0" PLEASE CONFIRM (TYP.)

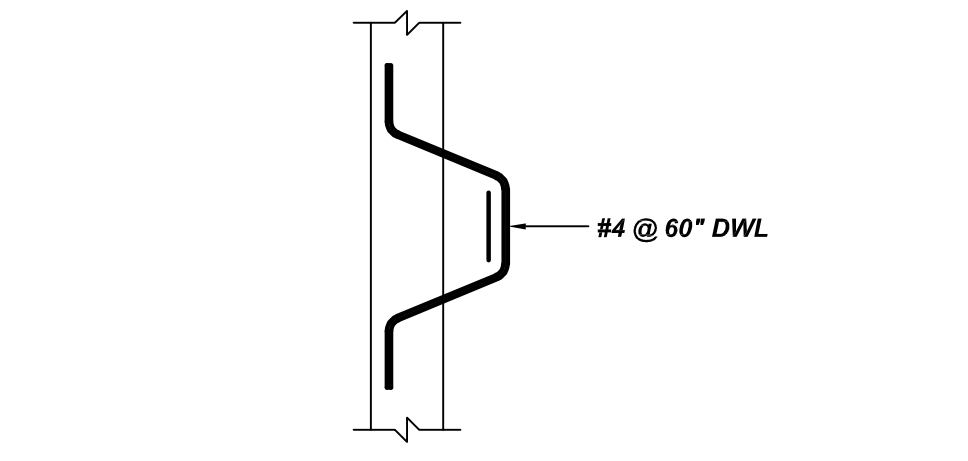


9" THK PANEL

PANEL A16

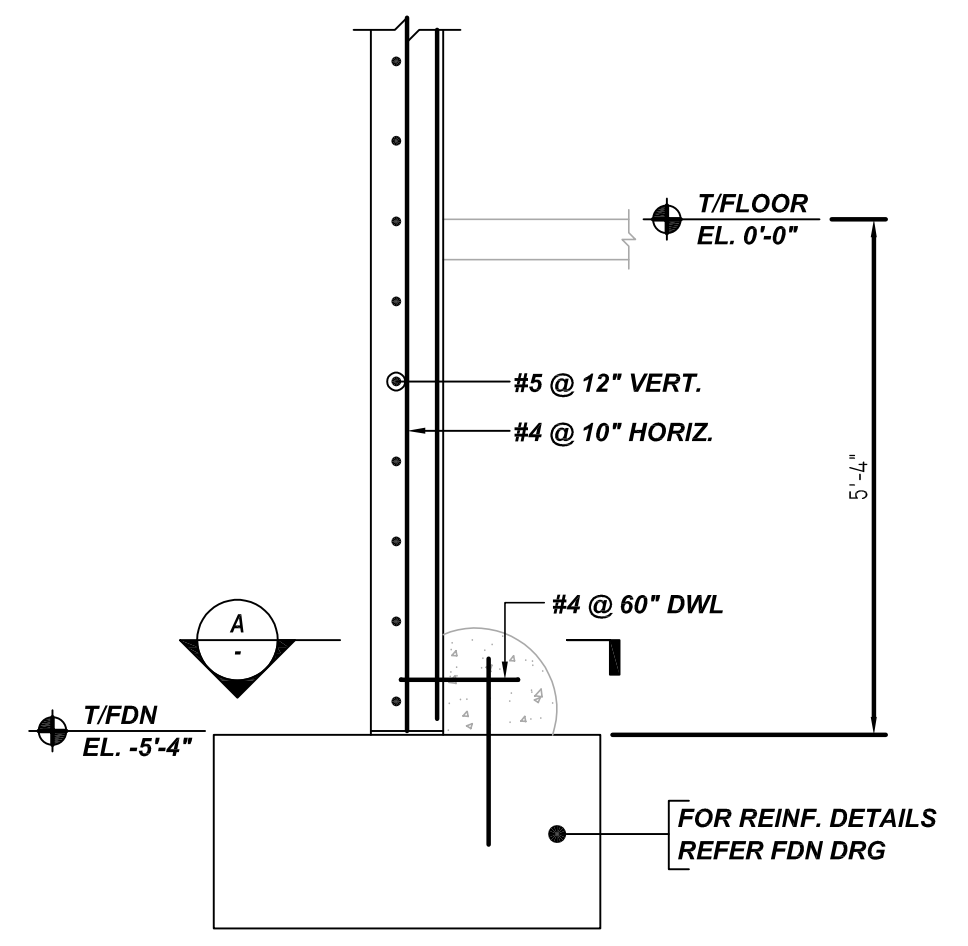
REF:TYPE-11/S-305(DT.02/07/22)
REF:SA111, SA301(DT.02/07/22)
SCALE: 1/4" = 1'-0"

A/E PLEASE VERIFY STOCK LENGTH EXCEED 40'-0" PLEASE CONFIRM (TYP.)



A SECTION

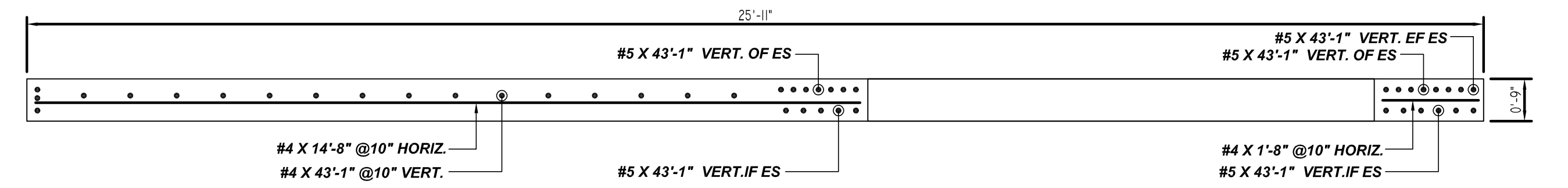
REF:S-401/102 (DT.02/07/22)
SCALE: 1/2" = 1'-0"



TYPICAL PRECAST CONCRETE PANEL AT CONCRETE FOOTING

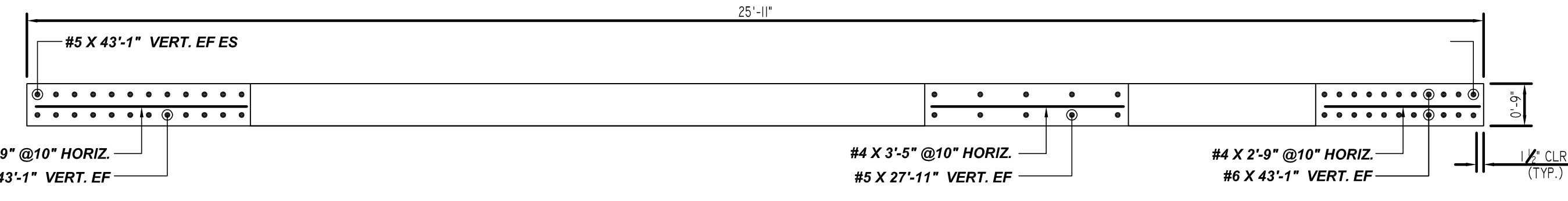
REF:S-401/102 (DT.02/07/22)
SCALE: 1/2" = 1'-0"

FOR REINF. DETAILS REFER FDN DRG



15 SECTION

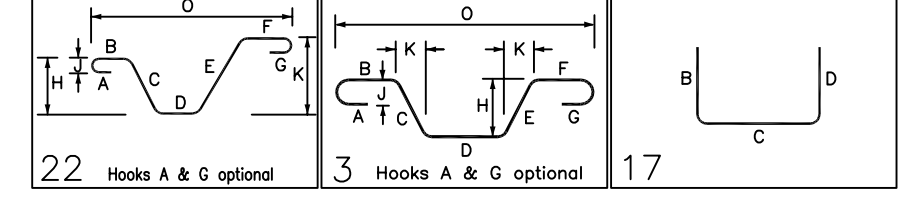
REF:SA111, SA301 & S303 (DT.02/07/22)
SCALE: 1/2" = 1'-0"



16 SECTION

REF:SA111, SA301 & S305 (DT.02/07/22)
SCALE: 1/2" = 1'-0"

Bar Mark	Qty	Size	Total Length	Type	X	Y	Z	W	V	U	T	S	R	Q	P	O	N	M	L	K	J	I	H	G	F	E	D	C	B	A
4B01	10	#4	5'-9.3"	22																										
5B01	12	#5	5'-11.3"	3																										
5B03	8	#5	28'-9"	17																										



LOCATION	MIN. COVER
PANEL	1 1/2" CLR

LAP SCHEDULE

4000 PSI (CLASS-B) CASE - 1
Per S5.01/3

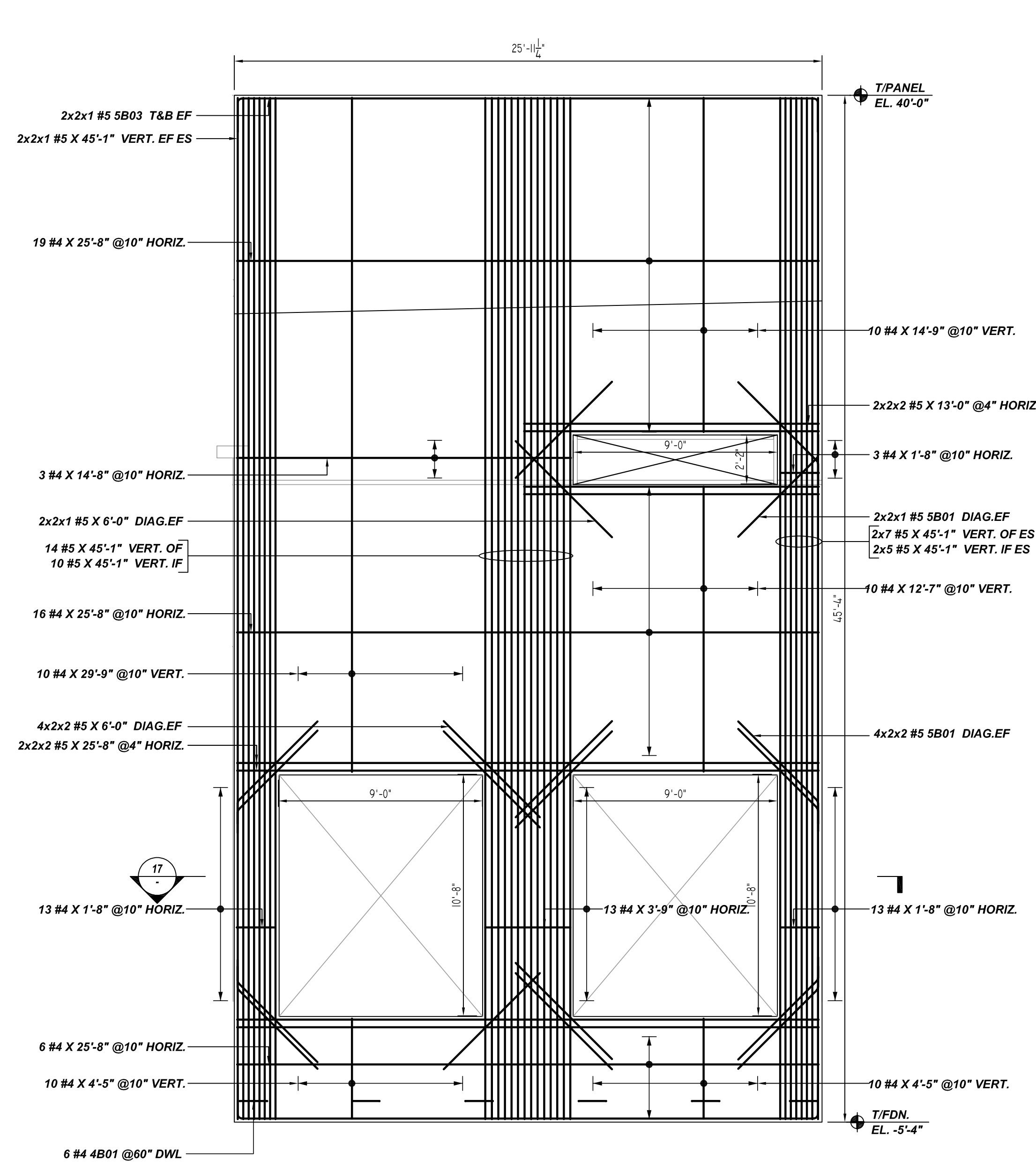
BAR#	LENGTHS	
	TOP	OTHERS
#3	24"	19"
#4	33"	25"
#5	41"	31"
#6	49"	37"
#7	71"	54"
#8	81"	62"
#9	91"	70"
#10	102"	79"
#11	113"	87"

ALL TOP BARS ARE DEFINED AS HORIZ BARS WITH MORE THAN 12" OF CONCRETE BELOW BARS.

**ALL BARS IN THIS DRAWING
ASTM A615 GRADE 60
BLACK UNCOATED**

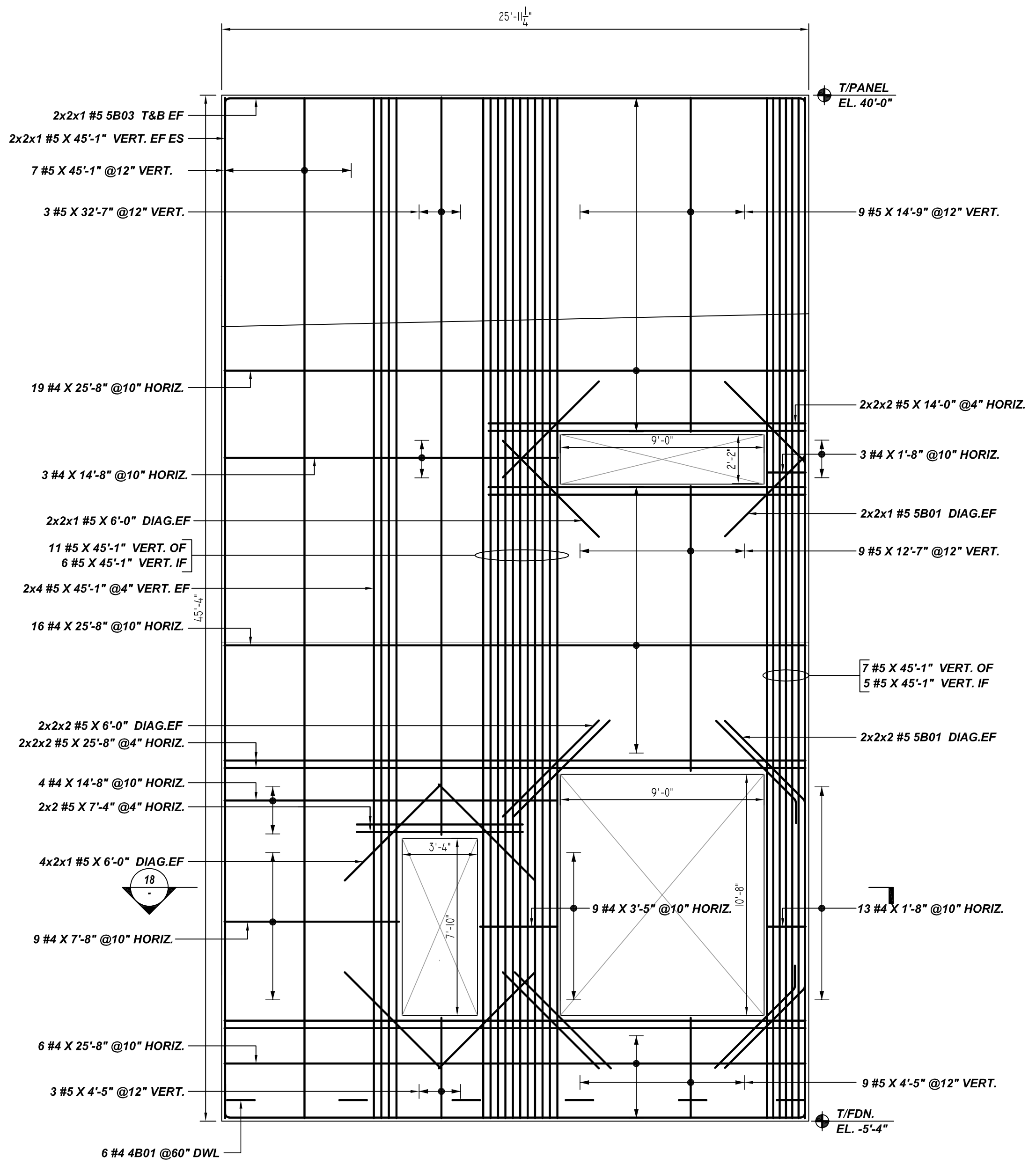
FOR APPROVAL

GRADE	A615/60(UNO)						
PREFIX	B						
BAR LIST NOS.							
REV	DESCRIPTION	ISSUED DATE	ISSUED FOR	STRUCTURE	BUILDING-A PANEL REINFORCEMENT DETAILS		
0	IFA	09/20/2022	APPROVAL	FLOOR	A15&A16 PANEL (EL: -5'-4" TO 40")		
				JOB NO	--		
				CUSTOMER	--		
				JOB	ELLIOT GATEWAY TECH CENTER		
				LOCATION	10650 E. ELLIOT ROAD.		
				DRAWN	DATE	CONTROL CODE	DWG. NO.
	MRS	09/20/2022	--				R13

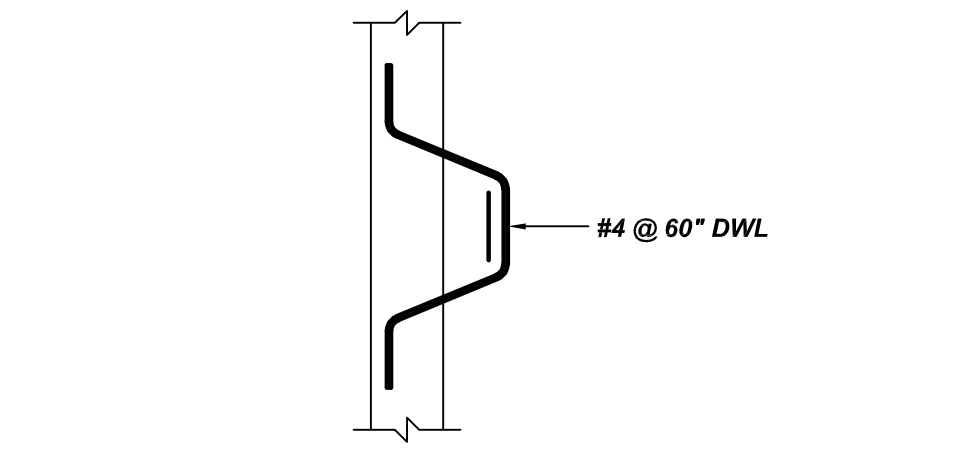


PANEL A17
 REF: TYPE-3/S-303(DT.02/07/22)
 REF: SA111, SA301(DT.02/07/22)
 SCALE: 1/4" = 1'-0"

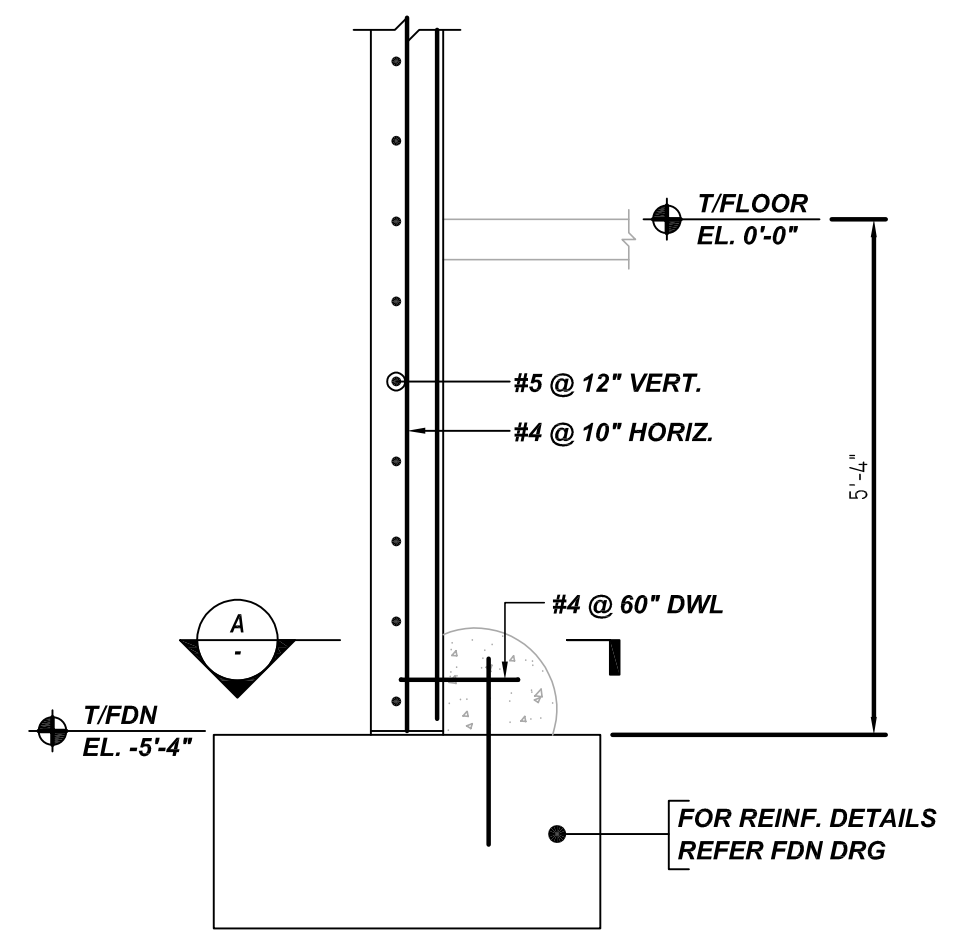
A/E PLEASE VERIFY STOCK LENGTH EXCEED 40'-0" PLEASE CONFIRM (TYP.)



PANEL A18
 REF: TYPE-4/S-303(DT.02/07/22)
 REF: SA111, SA301(DT.02/07/22)
 SCALE: 1/4" = 1'-0"

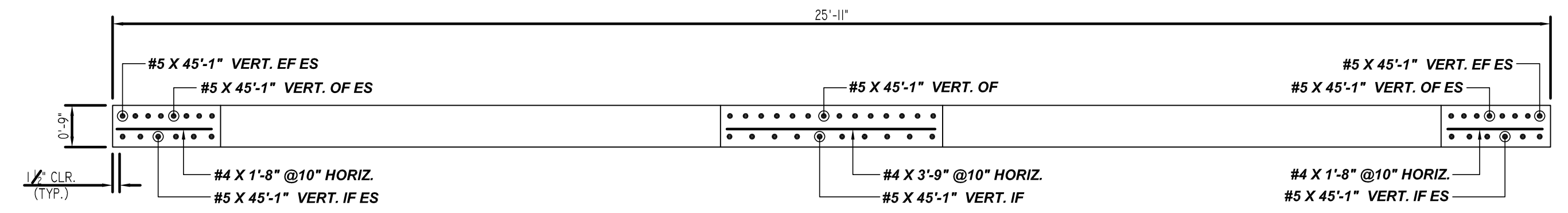


A SECTION
 REF: S-401/102 (DT.02/07/22)
 SCALE: 1/2" = 1'-0"

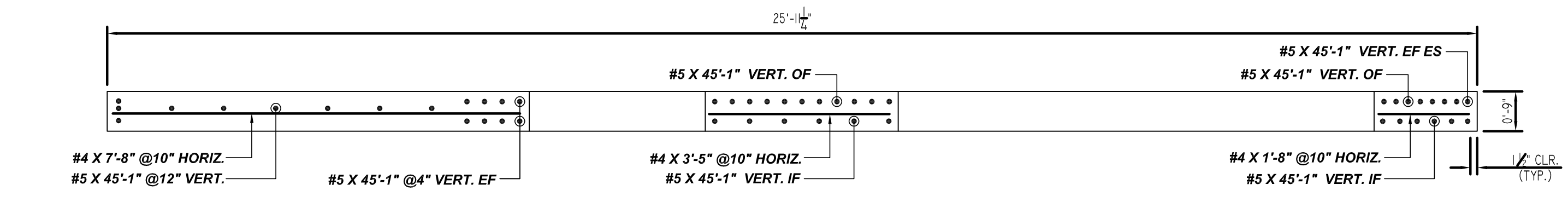


REF: S-401/102 (DT.02/07/22)
 SCALE: 1/2" = 1'-0"

TYPICAL PRECAST CONCRETE PANEL AT CONCRETE FOOTING

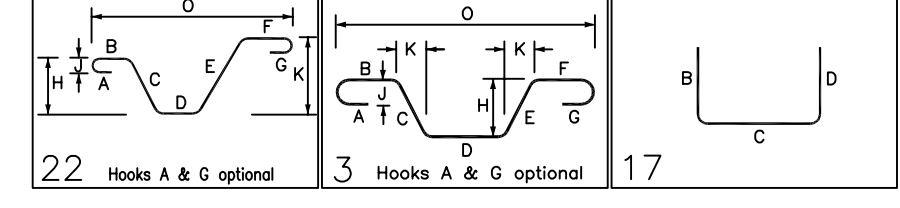


17 SECTION
 REF: SA111, SA301 & S303 (DT.02/07/22)
 SCALE: 1/2" = 1'-0"



18 SECTION
 REF: SA111, SA301 & S303 (DT.02/07/22)
 SCALE: 1/2" = 1'-0"

Bar Mark	Qty	Size	Total Length	Type	X	Y	Z	W	V	U	T	S	R	Q	P	O	N	M	L	K	J	I	H	G	F	E	D	C	B	A
4B01	12	#4	5'-0.8"	22																										
5B01	20	#5	5'-11.8"	3																										
5B03	8	#5	28'-8"	17																										



TYPICAL REINFORCING BAR CLEARANCE TABLE

LOCATION	MIN. COVER
PANEL	1 1/2" CLR

LAP SCHEDULE
 4000 PSI (CLASS-B) CASE - 1
 Per S5.01/3

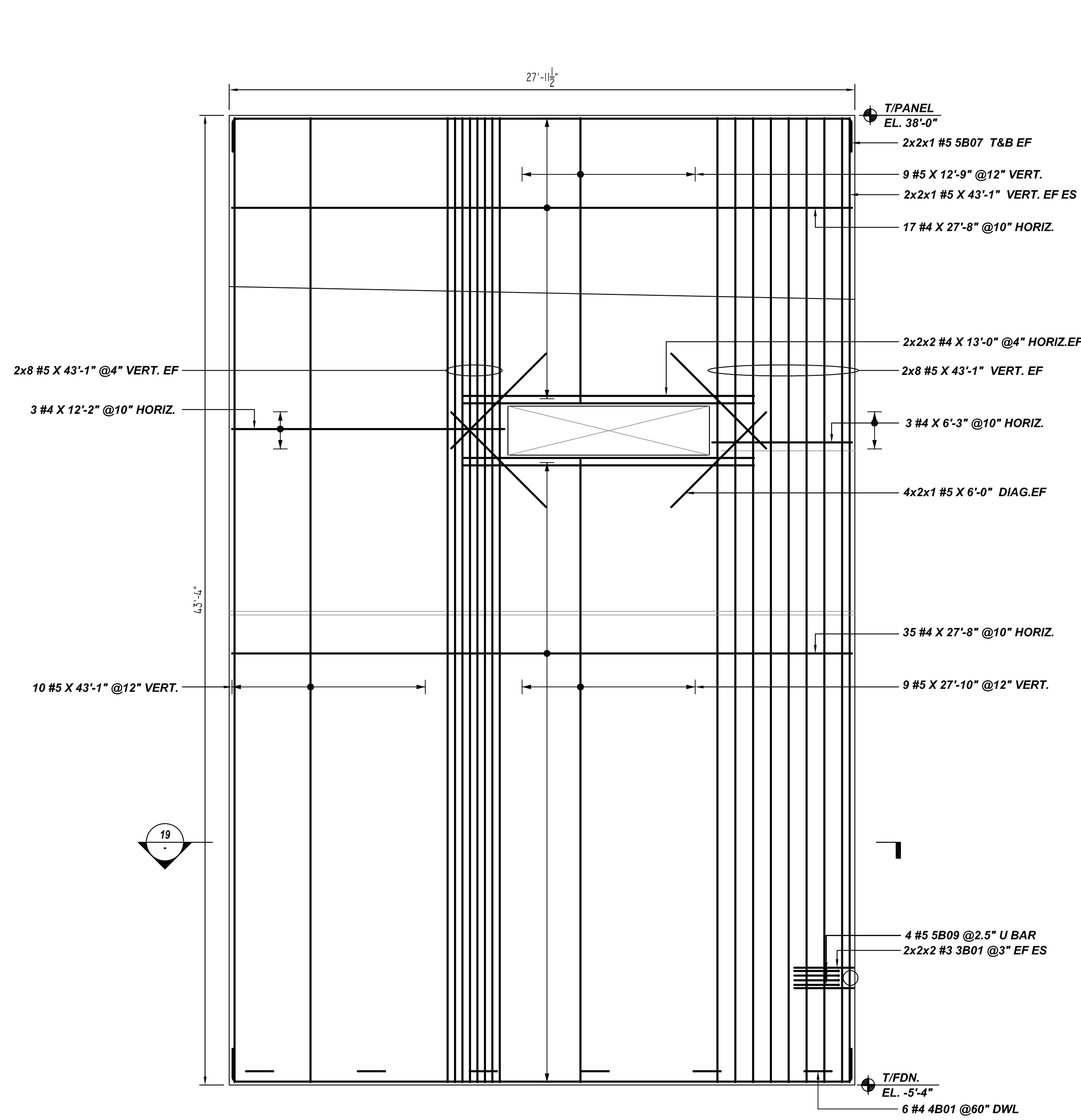
BAR#	LENGTHS	
	TOP	OTHERS
#3	24"	19"
#4	33"	25"
#5	41"	31"
#6	49"	37"
#7	71"	54"
#8	81"	62"
#9	91"	70"
#10	102"	79"
#11	113"	87"

ALL TOP BARS ARE DEFINED AS HORIZ BARS WITH MORE THAN 12" OF CONCRETE BELOW BARS.

**ALL BARS IN THIS DRAWING
 ASTM A615 GRADE 60
 BLACK UNCOATED**

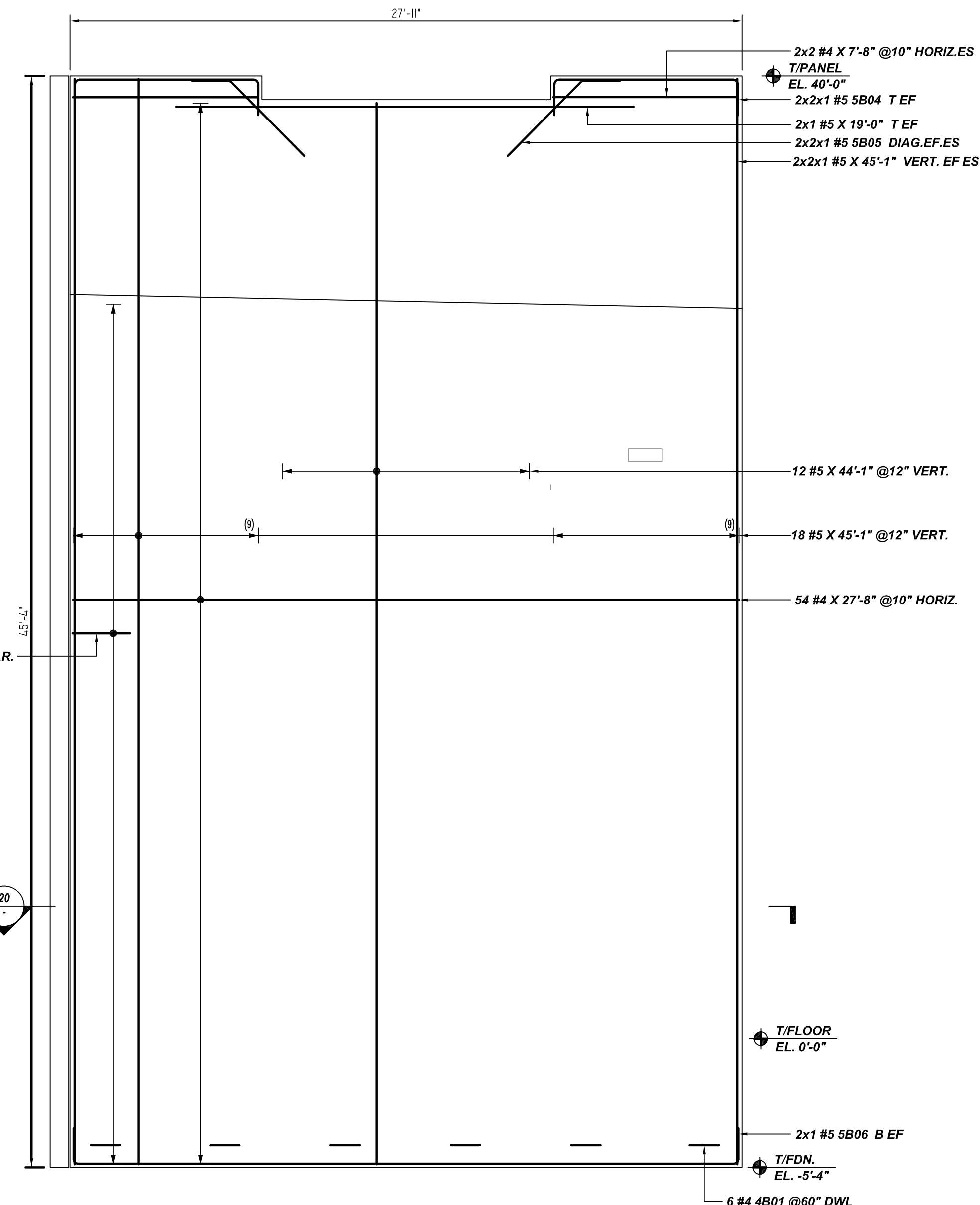
FOR APPROVAL

GRADE	A615/60(UNO)		
PREFIX	B		
BAR LIST NOS.			
REV	DESCRIPTION	ISSUED DATE	ISSUED FOR
0	IFA	09/20/2022	APPROVAL
STRUCTURE	BUILDING-A PANEL REINFORCEMENT DETAILS		
FLOOR	A17&A18 PANEL (EL. -5'-4" TO 40")		
JOB NO	-		
CUSTOMER	-		
JOB	ELLIOT GATEWAY TECH CENTER		
LOCATION	10650 E. ELLIOT ROAD.		
DRAWN	DATE	CONTROL CODE	DWG. NO.
MRS	09/20/2022	-	R14

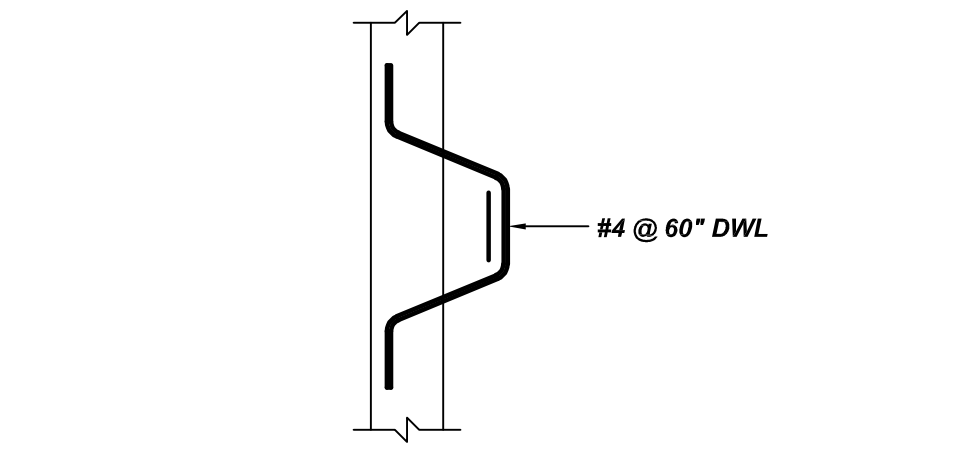


PANEL A19
 REF: TYPE-8/S-304(DT.02/07/22)
 REF: SA111, SA301(DT.02/07/22)
 SCALE: 1/4" = 1'-0"

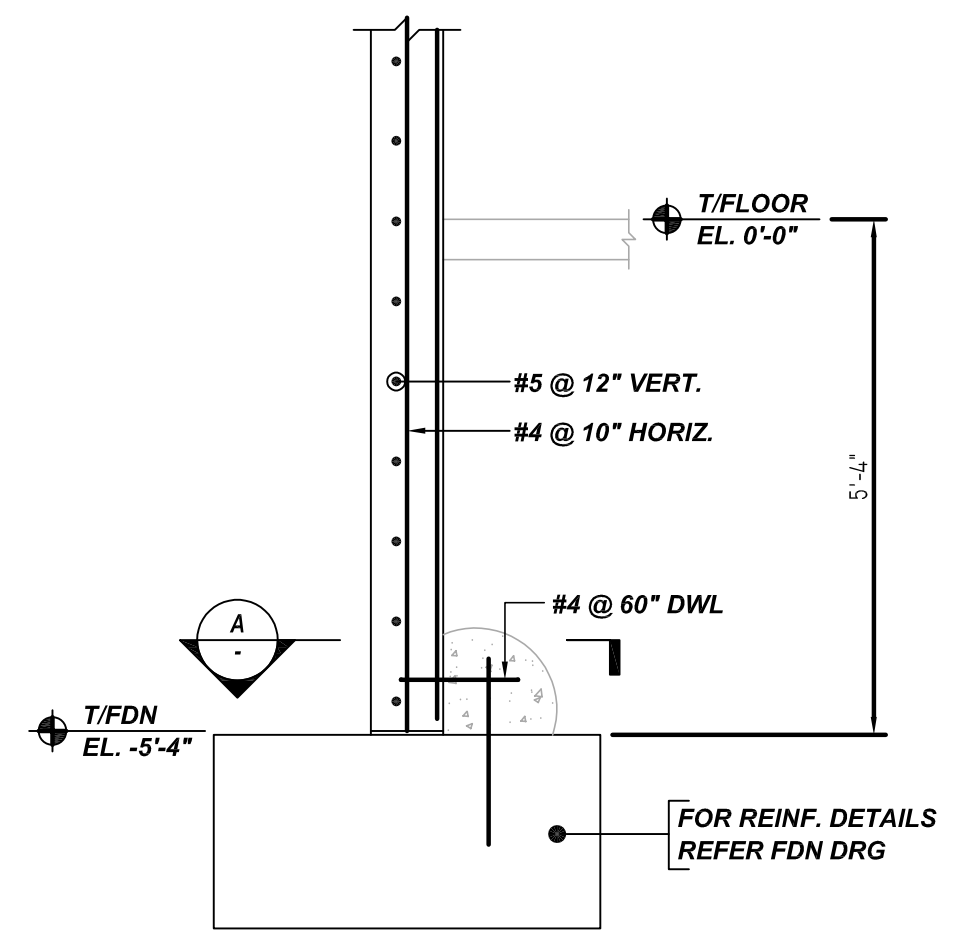
A/E PLEASE VERIFY STOCK LENGTH EXCEED 40'-0" PLEASE CONFIRM (TYP.)



PANEL A20
 REF: TYPE-1/S-303(DT.02/07/22)
 REF: SA111, SA301(DT.02/07/22)
 SCALE: 1/4" = 1'-0"

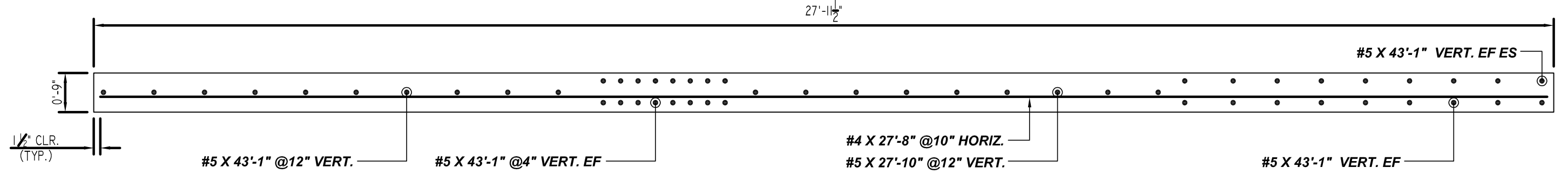


A SECTION
 REF: S-401/102 (DT.02/07/22)
 SCALE: 1/2" = 1'-0"



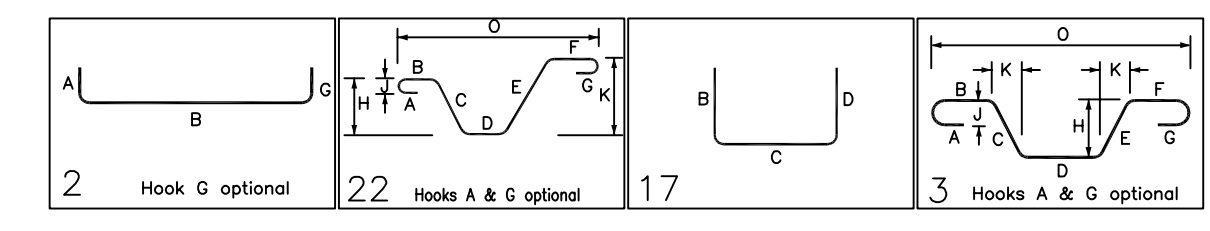
REF: S-401/102 (DT.02/07/22)
 SCALE: 1/2" = 1'-0"

TYPICAL PRECAST CONCRETE PANEL AT CONCRETE FOOTING



19 SECTION
 REF: SA111, SA301 & S304 (DT.02/07/22)
 SCALE: 1/2" = 1'-0"

Bar Mark	Qty	Size	Total Length	Type	X	Y	Z	W	V	U	T	S	R	Q	P	O	N	M	L	K	J	I	H	G	F	E	D	C	B	A					
3001	6	#3	3'-1.5"	2	0'-6"	2'-3.5"																													
4901	12	#4	5'-0.5"	22	0'-8.5"	2'-3.5"																													
5804	4	#5	10'-8"	17		1'-8"	7'-8"	1'-8"																											
5805	4	#5	5'-11.5"	3		1'-7"	4'-4.5"																												
5806	2	#5	30'-8"	17		1'-8"	27'-8"	1'-8"																											
5807	4	#5	30'-8"	17		1'-8"	27'-8"	1'-8"																											
5809	4	#5	4'-8"	17		2'-0"	0'-8"	2'-0"																											
5814	49	#5	2'-5"	3		0'-5"	2'-0"																												



LAP SCHEDULE
 4000 PSI (CLASS-B) CASE - 1
 Per S5.01/3

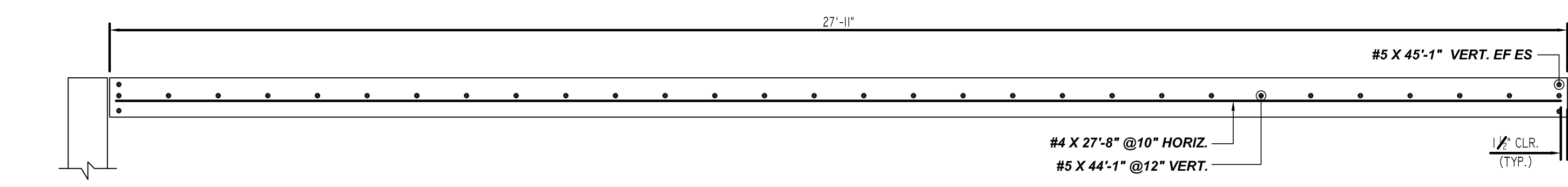
BAR#	LENGTHS	
	TOP	OTHERS
#3	24"	19"
#4	33"	25"
#5	41"	31"
#6	49"	37"
#7	71"	54"
#8	81"	62"
#9	91"	70"
#10	102"	79"
#11	113"	87"

ALL TOP BARS ARE DEFINED AS HORIZ BARS WITH MORE THAN 12" OF CONCRETE BELOW BARS.

TYPICAL REINFORCING BAR CLEARANCE TABLE	
LOCATION	MIN. COVER
PANEL	1 1/2" CLR

**ALL BARS IN THIS DRAWING
 ASTM A615 GRADE 60
 BLACK UNCOATED**

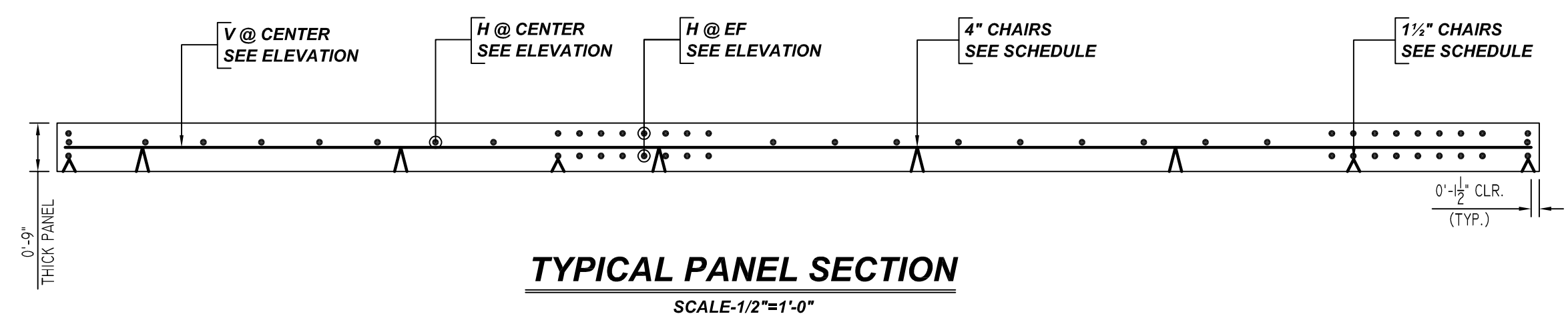
FOR APPROVAL



20 SECTION
 REF: SA111, SA301 & S303 (DT.02/07/22)
 SCALE: 1/2" = 1'-0"

GRADE	A615/60(UNO)				
PREFIX	B				
BAR LIST NOS.					
REV	DESCRIPTION	ISSUED DATE	ISSUED FOR	STRUCTURE	BUILDING-A PANEL REINFORCEMENT DETAILS
0	IFA	09/20/2022	APPROVAL	FLOOR	A19&A20 PANEL (EL: -5'-4" TO 40")
				JOB NO	--
				CUSTOMER	--
				JOB	ELLIOT GATEWAY TECH CENTER
				LOCATION	10650 E. ELLIOT ROAD.
				DRAWN	
				DATE	
				CONTROL CODE	
				DWG. NO.	
				MRS	09/20/2022
					-
					R15

ACCESSORIES SCHEDULE						
S.NO	ELEMENT	DESCRIPTION	HEIGHT	QTY	LFT	REMARK
1	PANEL-A1 9" THICK PANEL	4" CHAIRS @4'-0" C/C	4"	81	-	CHAIR TO MID SUPPORT
2	PANEL-A2 9" THICK PANEL	1 1/2" CHAIRS @4'-0" C/C	1 1/2"	22	-	CHAIR TO BOTTOM SUPPORT
		4" CHAIRS @4'-0" C/C	4"	65	-	CHAIR TO MID SUPPORT
3	PANEL-A3 9" THICK PANEL	1 1/2" CHAIRS @4'-0" C/C	1 1/2"	36	-	CHAIR TO BOTTOM SUPPORT
		4" CHAIRS @4'-0" C/C	4"	76	-	CHAIR TO MID SUPPORT
4	PANEL-A4 9" THICK PANEL	1 1/2" CHAIRS @4'-0" C/C	1 1/2"	36	-	CHAIR TO BOTTOM SUPPORT
		4" CHAIRS @4'-0" C/C	4"	72	-	CHAIR TO MID SUPPORT
5	PANEL-A5 9" THICK PANEL	1 1/2" CHAIRS @4'-0" C/C	1 1/2"	24	-	CHAIR TO BOTTOM SUPPORT
		4" CHAIRS @4'-0" C/C	4"	76	-	CHAIR TO MID SUPPORT
6	PANEL-A6 9" THICK PANEL	1 1/2" CHAIRS @4'-0" C/C	1 1/2"	24	-	CHAIR TO BOTTOM SUPPORT
		4" CHAIRS @4'-0" C/C	4"	78	-	CHAIR TO MID SUPPORT
7	PANEL-A7 9" THICK PANEL	1 1/2" CHAIRS @4'-0" C/C	1 1/2"	36	-	CHAIR TO BOTTOM SUPPORT
		4" CHAIRS @4'-0" C/C	4"	72	-	CHAIR TO MID SUPPORT
8	PANEL-A8 9" THICK PANEL	1 1/2" CHAIRS @4'-0" C/C	1 1/2"	36	-	CHAIR TO BOTTOM SUPPORT
		4" CHAIRS @4'-0" C/C	4"	72	-	CHAIR TO MID SUPPORT
9	PANEL-A9 9" THICK PANEL	1 1/2" CHAIRS @4'-0" C/C	1 1/2"	36	-	CHAIR TO BOTTOM SUPPORT
		4" CHAIRS @4'-0" C/C	4"	72	-	CHAIR TO MID SUPPORT
10	PANEL-A10 9" THICK PANEL	1 1/2" CHAIRS @4'-0" C/C	1 1/2"	36	-	CHAIR TO BOTTOM SUPPORT
		4" CHAIRS @4'-0" C/C	4"	78	-	CHAIR TO MID SUPPORT
11	PANEL-A11 9" THICK PANEL	1 1/2" CHAIRS @4'-0" C/C	1 1/2"	36	-	CHAIR TO BOTTOM SUPPORT
		4" CHAIRS @4'-0" C/C	4"	72	-	CHAIR TO MID SUPPORT
12	PANEL-A12 9" THICK PANEL	1 1/2" CHAIRS @4'-0" C/C	1 1/2"	36	-	CHAIR TO BOTTOM SUPPORT
		4" CHAIRS @4'-0" C/C	4"	72	-	CHAIR TO MID SUPPORT
13	PANEL-A13 9" THICK PANEL	1 1/2" CHAIRS @4'-0" C/C	1 1/2"	36	-	CHAIR TO BOTTOM SUPPORT
		4" CHAIRS @4'-0" C/C	4"	72	-	CHAIR TO MID SUPPORT
14	PANEL-A14 9" THICK PANEL	1 1/2" CHAIRS @4'-0" C/C	1 1/2"	36	-	CHAIR TO BOTTOM SUPPORT
		4" CHAIRS @4'-0" C/C	4"	72	-	CHAIR TO MID SUPPORT
15	PANEL-A15 9" THICK PANEL	1 1/2" CHAIRS @4'-0" C/C	1 1/2"	24	-	CHAIR TO BOTTOM SUPPORT
		4" CHAIRS @4'-0" C/C	4"	78	-	CHAIR TO MID SUPPORT
16	PANEL-A16 9" THICK PANEL	1 1/2" CHAIRS @4'-0" C/C	1 1/2"	36	-	CHAIR TO BOTTOM SUPPORT
		4" CHAIRS @4'-0" C/C	4"	78	-	CHAIR TO MID SUPPORT
17	PANEL-A17 9" THICK PANEL	1 1/2" CHAIRS @4'-0" C/C	1 1/2"	36	-	CHAIR TO BOTTOM SUPPORT
		4" CHAIRS @4'-0" C/C	4"	72	-	CHAIR TO MID SUPPORT
18	PANEL-A18 9" THICK PANEL	1 1/2" CHAIRS @4'-0" C/C	1 1/2"	36	-	CHAIR TO BOTTOM SUPPORT
		4" CHAIRS @4'-0" C/C	4"	72	-	CHAIR TO MID SUPPORT
19	PANEL-A19 9" THICK PANEL	1 1/2" CHAIRS @4'-0" C/C	1 1/2"	36	-	CHAIR TO BOTTOM SUPPORT
		4" CHAIRS @4'-0" C/C	4"	81	-	CHAIR TO MID SUPPORT
20	PANEL-A20 9" THICK PANEL	4" CHAIRS @4'-0" C/C	4"	81	-	CHAIR TO MID SUPPORT



FOR APPROVAL

GRADE: A615/60(UNO)					
PREFIX: B					
BAR LIST NOS.					
REV	DESCRIPTION	ISSUED DATE	ISSUED FOR	STRUCTURE	BUILDING-A PANEL REINFORCEMENT DETAILS
0	IFA	09/20/2022	APPROVAL	FLOOR	A1 TO A20 PANEL (EL: -5'-4" TO 40')
				JOB NO	--
				CUSTOMER	--
				JOB	ELLIOT GATEWAY TECH CENTER
				LOCATION	10650 E. ELLIOT ROAD.
				DRAWN	DATE
				MRS	09/20/2022
				CONTROL CODE	-
				DWG. NO.	R15A