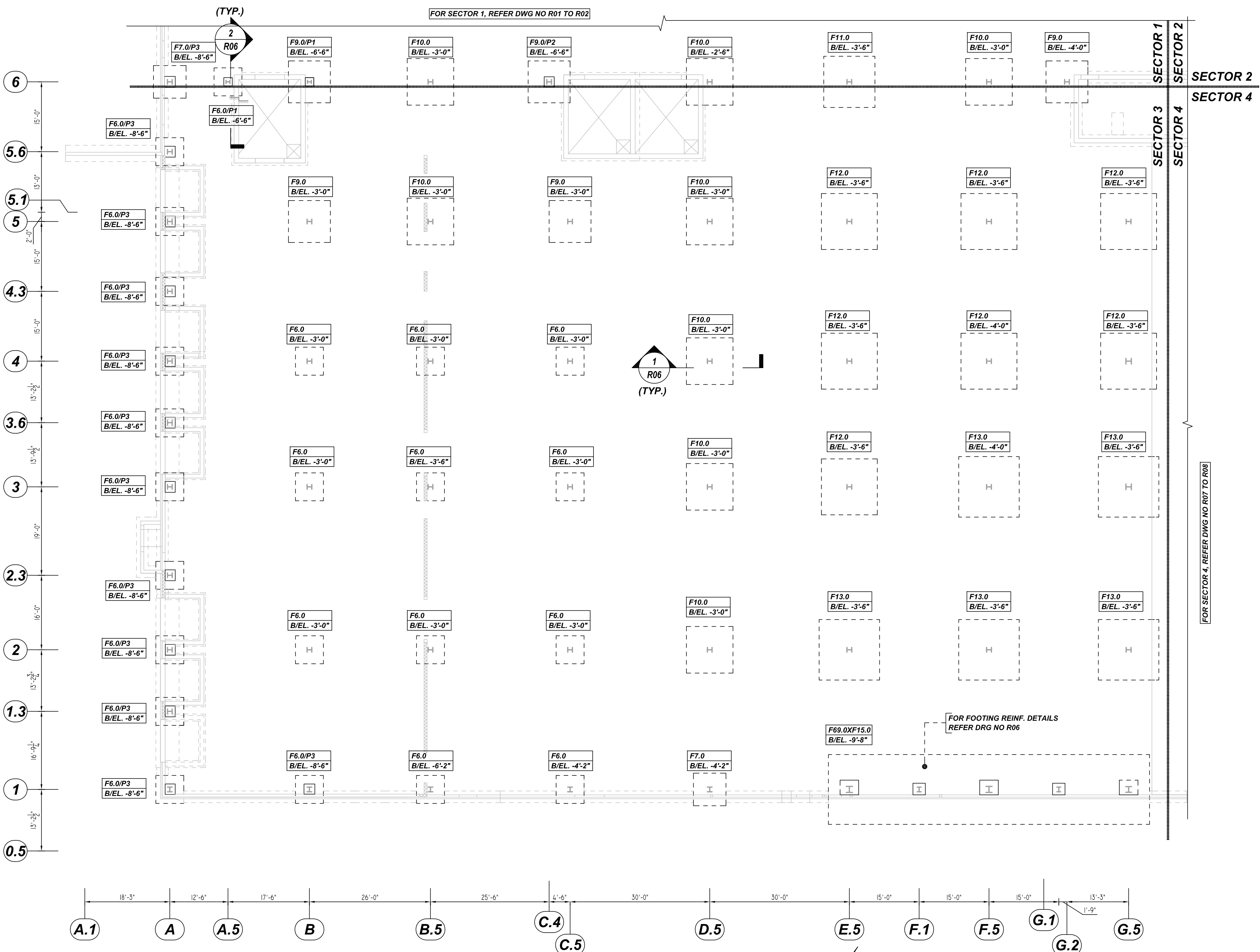


**NOTICE**  
 SHORTAGES, IMPROPER FABRICATION OR CLAIMS FOR ANY OTHER REASON MUST BE REPORTED TO THIS COMPANY WITHIN 10 DAYS FROM ORIGINAL DELIVERY. THIS COMPANY ALSO RESERVES THE RIGHT TO FIELD INSPECT MATERIALS PRIOR TO REPLACEMENT OR RECONDITIONING OF MATERIALS AND WILL NOT BE LIABLE FOR CHARGES FROM WORK DONE IN THE FIELD WITHOUT PRIOR AUTHORIZATION FROM THIS COMPANY.

REINFORCING STEEL PLACING DRAWING ONLY. USE IN CONJUNCTION WITH CONTRACT DRAWINGS & SPECIFICATIONS. ELEVATIONS & DIMENSIONS SHOWN ON DRAWING ARE FOR DETAILING PURPOSES ONLY AND SHOULD NOT BE USED FOR CONSTRUCTION UNLESS VERIFIED BY ENGINEER OR CONTRACTOR.

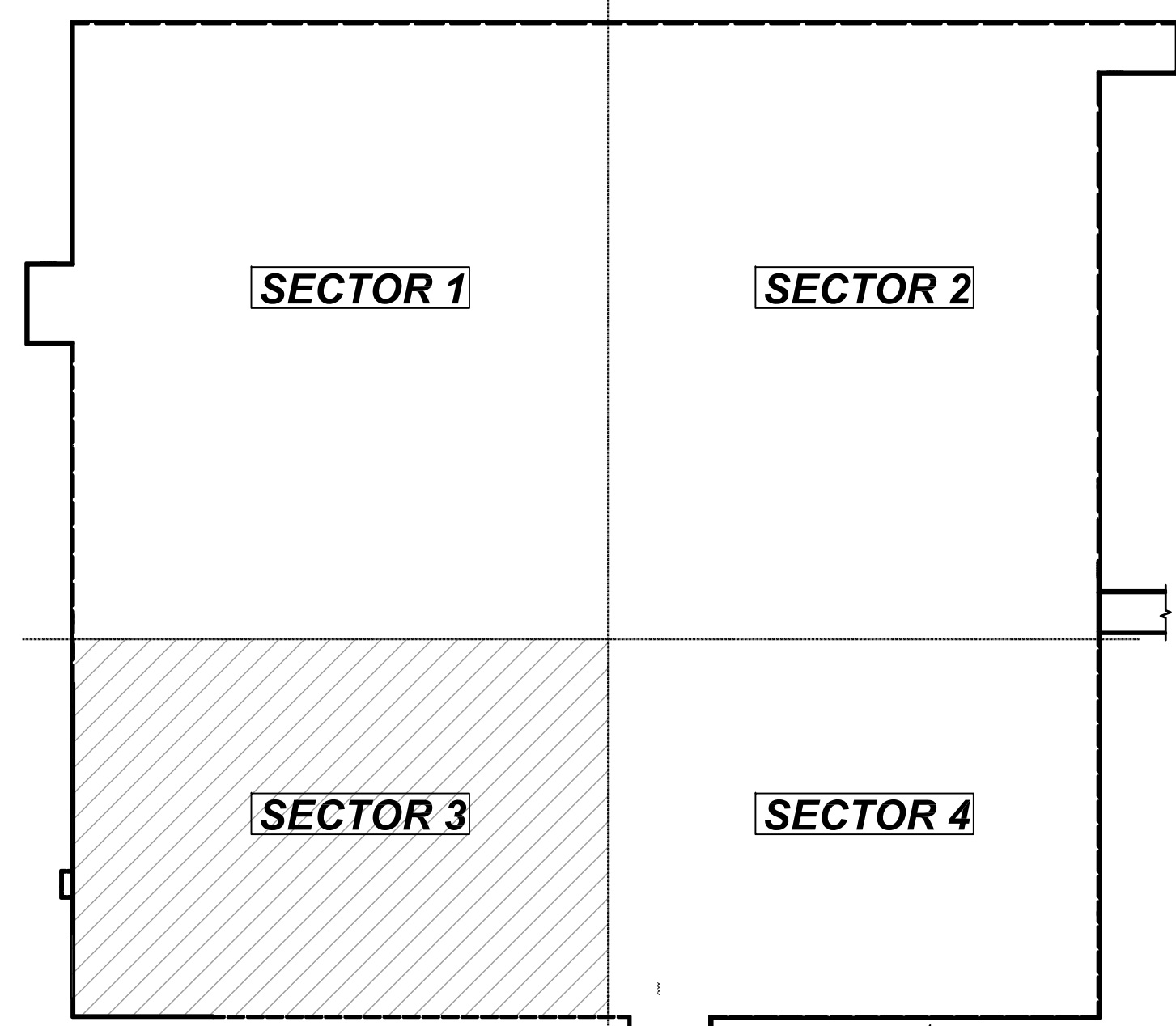


**PAD FOOTING SCHEDULE**

MARK	QTY	SIZE	GRID LOCATION	REINFORCING	REMARK
F6.0	23	6'-0" x 6'-0" x 1'-6"	A/1,1.3,2.2,3.3,3.6,4.4,3.5,5.6 A.5/6, B/1,2,3,4, B.5/1,2,3,4 C.5/1,2,3,4	23x2x8 #6 X 5'-6" BOT.EW	SECTION 1/R06
F7.0	2	7'-0" x 7'-0" x 1'-6"	A/6, D.5/1	2x2x9 #6 X 6'-6" BOT.EW	SECTION 1/R06
F9.0	5	9'-0" x 9'-0" x 1'-6"	D/5/6, C.4/6, C.5/5, G.2/6	5x2x11 #6 X 8'-6" BOT.EW	SECTION 1/R06
F10.0	8	10'-0" x 10'-0" x 1'-6"	B.5/5,6, D.5/2,3,4,5,6, F.5/6	8x2x12 #6 X 9'-6" BOT.EW	SECTION 1/R06
F11.0	1	11'-0" x 11'-0" x 2'-0"	E.5/6	2x13 #6 X 10'-6" BOT.EW	SECTION 1/R06
F12.0	7	12'-0" x 12'-0" x 2'-0"	E.5/3,4,5, F.5/4,5, G.5/4,5	7x2x14 #8 X 11'-6" BOT.EW	SECTION 1/R06
F13.0	5	13'-0" x 13'-0" x 2'-0"	E.5/2, F.5/2,3, G.5/2,3	5x2x15 #8 X 12'-6" BOT.EW	SECTION 1/R06

**PIER SCHEDULE**

MARK	QTY	SIZE	GRID LOCATION	VERTS	TIES & ADD'L TIES	REMARK
P1	2	22"x22"	A.5/6, B/6	2x12 #6 6C03 D/V	2x3 #4 4C12 @12" TIES 2x2x3 #4 4C13 @12" INNER TIES 2x4 #4 4C12 @3" TIES @TOP 2x2x4 #4 4C13 @3" INNER TIES @TOP	SECTION 2/R06
P2	1	26"x26"	C.4/6	16 #6 6C03 D/V	3 #4 4C10 @12" TIES 2x3 #4 4C11 @12" INNER TIES 4 #4 4C10 @3" TIES @TOP 2x4 #4 4C11 @3" INNER TIES @TOP	SECTION 2/R06
P3	12	28"x28"	A/1,1.3,2.2,3.3,3.6,4.4,3.5,5.6,A/6, B/1,	12x20 #6 6C02 D/V	12x2x5 #4 4C09 @12" TIES 12x2x5 #4 4C08 @12" INNER TIES 12x2x4 #4 4C09 @3" TIES @TOP 12x2x4 #4 4C08 @3" INNER TIES @TOP	SECTION 2/R06



**DP1 BUILDING KEYPLAN**  
 REF: S1.1 (DT. 07/29/22)  
 N.T.S.

**DP-1 BUILDING SECTOR 3 PAD FOOTING REINFORCEMENT DETAILS**  
 REF: S2.1.3 (DT. 07/29/22)  
 SCALE: 1/16" = 1'-0"

**TYPICAL REINFORCING BAR CLEARANCE TABLE**

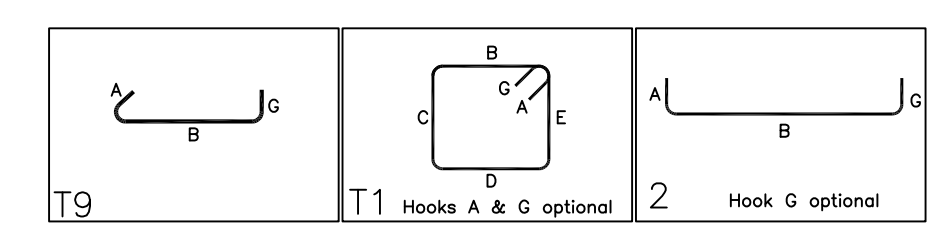
LOCATION	MIN. COVER
FOOTING SIDE & BOTTOM	3" CLR
FOOTING TOP	2" CLR
PIER ALL SIDES	2" CLR

A/E PLEASE VERIFY FOOTING TOP COVER

Release Number: R05

Bar Mark	Qty	Size	Total Length	Type	X	Y	Z	W	V	U	T	S	R	Q	P	O	N	M	L	K	J	I	H	G	F	E	D	C	B	A	
4038	218	#4	7'-3"	T1	0'-4.5"	2'-0"																									
4039	218	#4	7'-3"	T1	0'-4.5"	1'-3"	2'-0"	1'-3"	2'-0"																						
4010	7	#4	8'-1"	T1	0'-4.5"	1'-10"	1'-10"	1'-10"	1'-10"																						
4011	14	#4	2'-7"	T9	0'-4.5"	1'-10"																									
4012	14	#4	6'-9"	T1	0'-4.5"	1'-6"	1'-6"	1'-6"	1'-6"																						
4013	28	#4	2'-5"	T9	0'-4.5"	1'-6"																									
6002	240	#6	7'-3"	T2	1'-0"	6'-5"																									
6003	40	#6	5'-3"	T2	1'-0"	4'-5"																									

**ALL BARS IN THIS DRAWING  
 ASTM A615 GRADE 60  
 BLACK UNCOATED**



**REBAR GRADE 60 ASTM A-615**

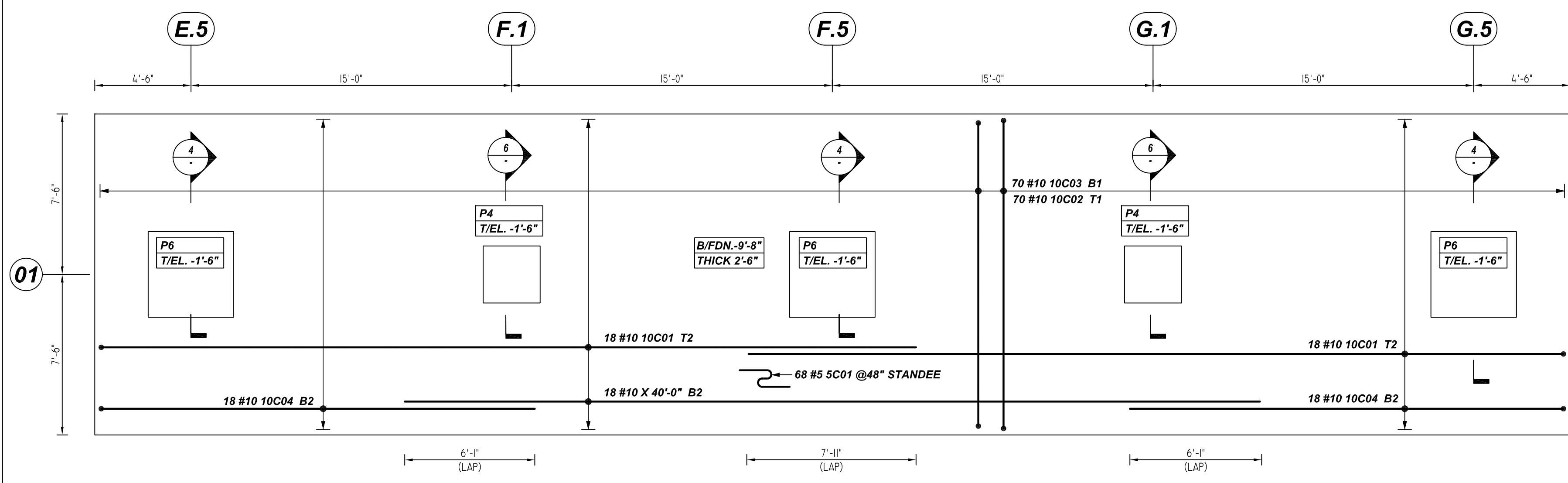
SPLICES USED		ABBREVIATIONS		BAR MARK SIZE EQUIVALENT	
CLASS B 4,500 psi UNO				Imperial	Soft Metric
TOP BARS	OTHER BARS	ADD.	= Additional	#3	#10
#3 24"	#3 19"	B.O.W.	= Bottom of wall	#4	#13
#4 32"	#4 24"	C.B.	= Corner Bars	#5	#16
#5 39"	#5 30"	DIAG.	= Diagonal	#6	#19
#6 46"	#6 36"	D.O.	= Door Opening	#7	#22
#7 67"	#7 52"	D.WLS.	= Dowels	#8	#25
#8 77"	#8 59"	E.F.	= Each Face	#9	#29
#9 86"	#9 67"	E.S.	= Each Side	#10	#32
#10 95"	#10 73"	E.W.	= Each Way	#11	#36
#11 104"	#11 81"	FTG.	= Footing		
#14	#14	F.F.	= Far Face		
		HORIZ.	= Horizontal		
		I.F.	= Inside Face		
		INTERS.	= Intersection		
		L.W.	= long Way		
		N.F.	= Near Face		
		O.F.	= Outside Face		
		S.W.	= Short Way		
		T&B	= Top & Bottom		
		T.O.W.	= Top of Wall		
		Trans.	= Transverse		
		VERT.	= Vertical		

**STA PHARMACEUTICAL MIDDLETOWN EXPANSION DP-1**  
 DP-1 BUILDING SECTOR 3 PAD FOOTING & PIER REINFORCEMENT DETAILS  
**MIDDLETOWN, DE 19709**

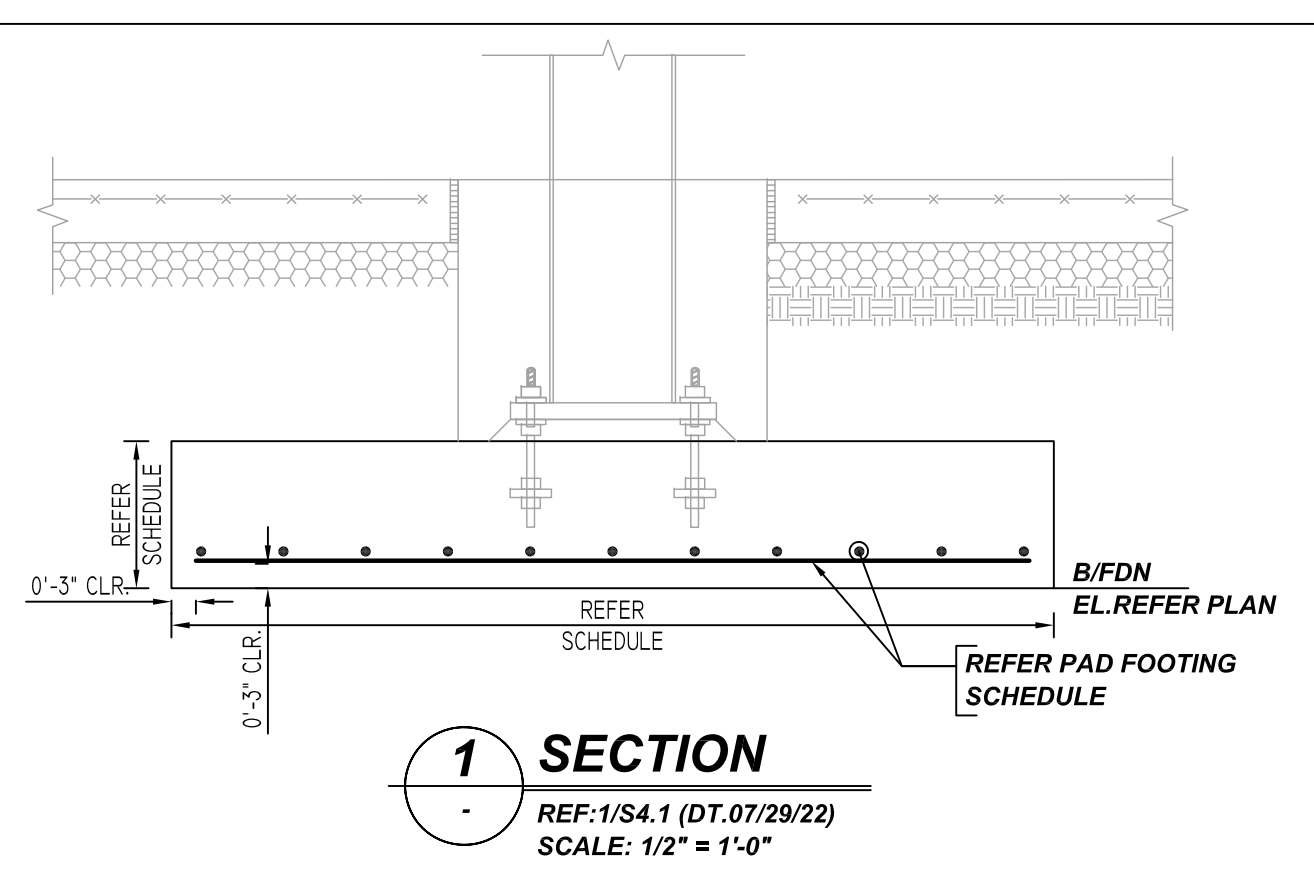
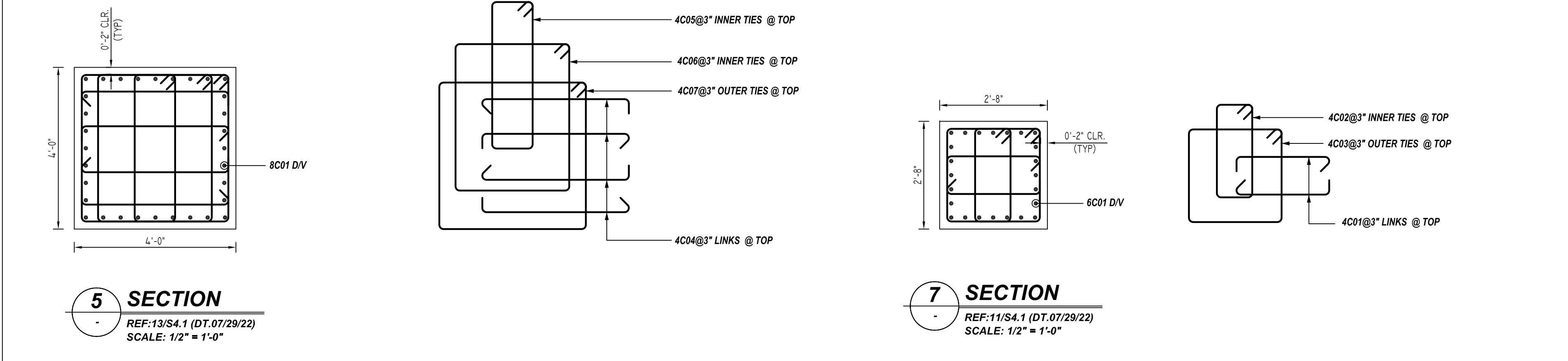
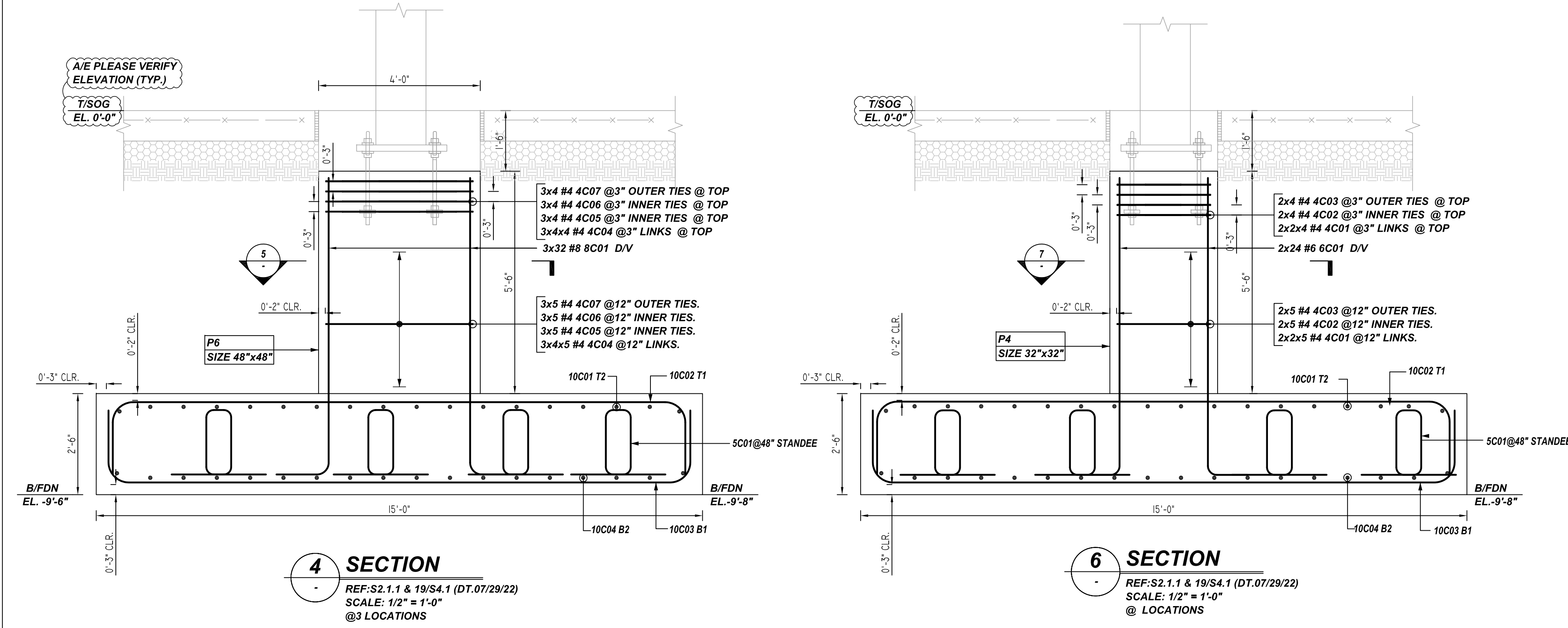
CUSTOMER: -  
 DESIGNER: -

DRAWN BY	DATE	JOB NO	SHEET NO.
JSN/MET	08.08.22	-	<b>R05</b>

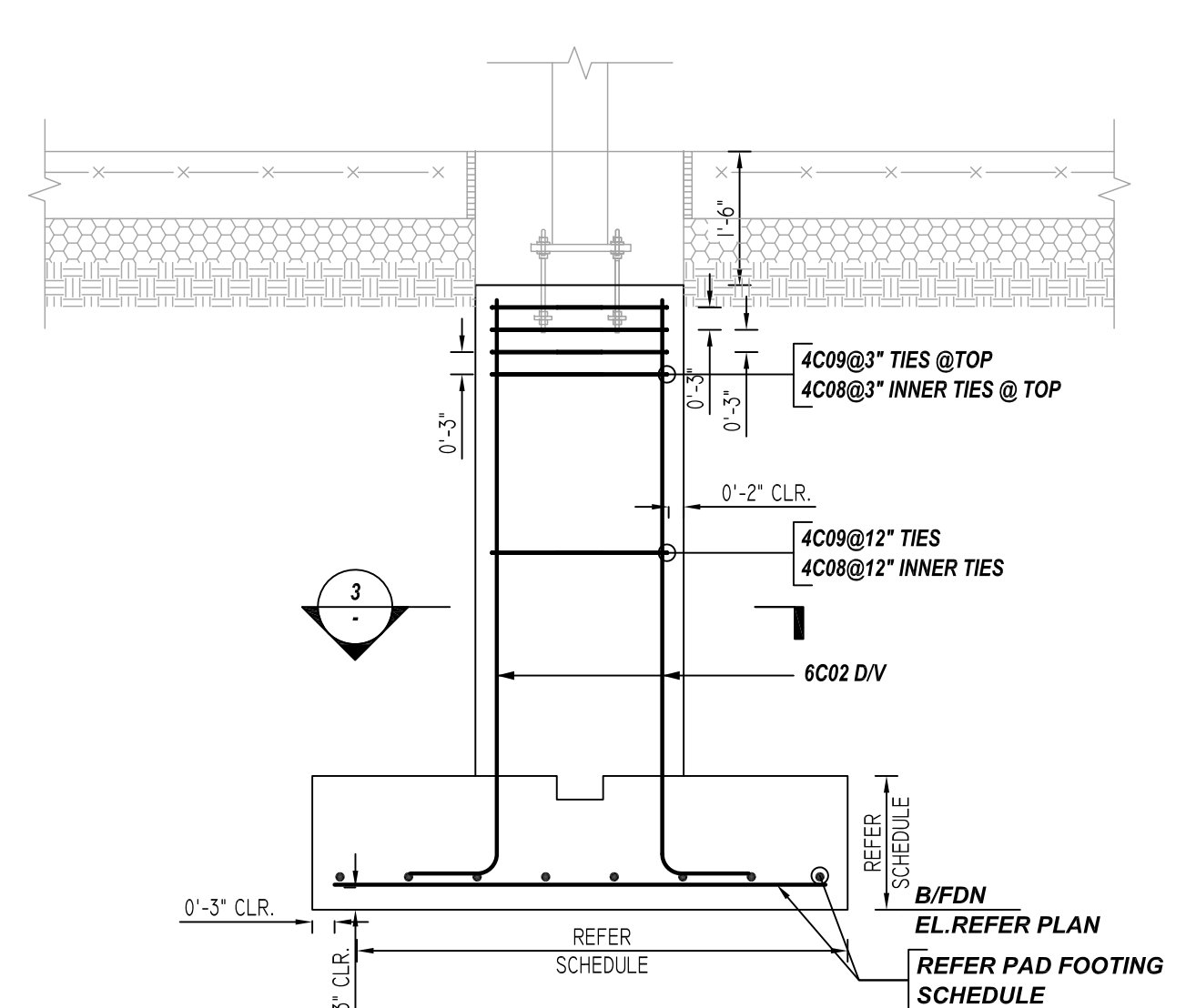
REV NO	DATE	APPROVAL	SENT FOR	REV NO	DATE	SENT FOR
0	08.08.22					



**COMBINED FOOTING F69.0X15.0 REINF. DETAILS**  
 REF: 20/S4.1 & S2.1.3 (DT.07/29/22)  
 SCALE: 1/4" = 1'-0"

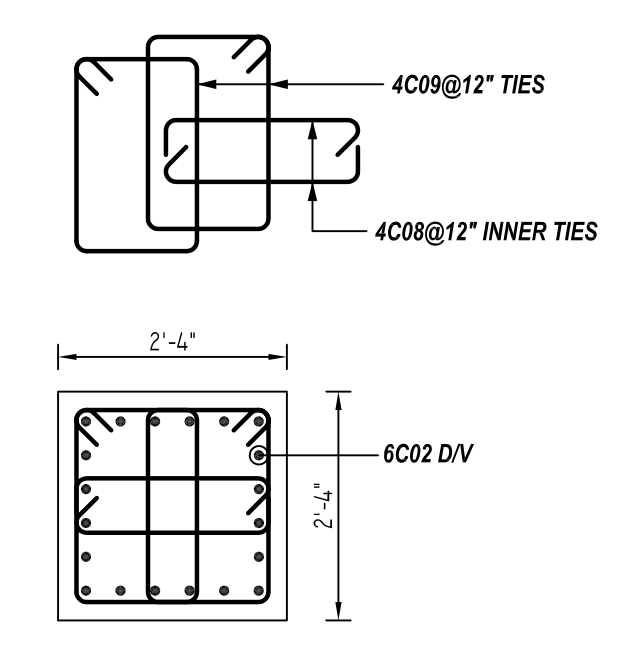


**1 SECTION**  
 REF: 1/S4.1 (DT.07/29/22)  
 SCALE: 1/2" = 1'-0"



**2 SECTION**  
 REF: 2/S4.1 (DT.07/29/22)  
 SCALE: 1/2" = 1'-0"

**NOTICE**  
 SHORTAGES, IMPROPER FABRICATION OR CLAIMS FOR ANY OTHER REASON MUST BE REPORTED TO THIS COMPANY WITHIN 10 DAYS FROM ORIGINAL DELIVERY. THIS COMPANY ALSO RESERVES THE RIGHT TO FIELD INSPECT MATERIALS PRIOR TO REPLACEMENT OR RECONDITIONING OF MATERIALS AND WILL NOT BE LIABLE FOR CHARGES FROM WORK DONE IN THE FIELD WITHOUT PRIOR AUTHORIZATION FROM THIS COMPANY.  
 REINFORCING STEEL PLACING DRAWING ONLY. USE IN CONJUNCTION WITH CONTRACT DRAWINGS & SPECIFICATIONS. ELEVATIONS & DIMENSIONS SHOWN ON DRAWING ARE FOR DETAILING PURPOSES ONLY AND SHOULD NOT BE USED FOR CONSTRUCTION UNLESS VERIFIED BY ENGINEER OR CONTRACTOR.



**3 SECTION**  
 REF: 10/S4.1 (DT.07/29/22)  
 SCALE: 1/2" = 1'-0"

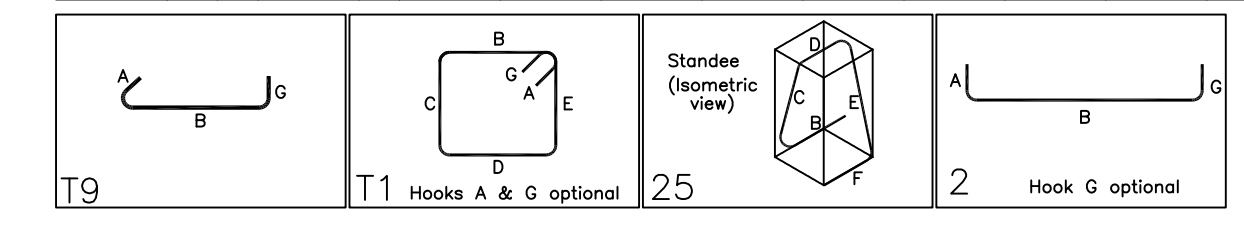
A/E PLEASE VERIFY TIES ARRANGEMENT FOLLOWED

TYPICAL REINFORCING BAR CLEARANCE TABLE	
LOCATION	MIN. COVER
FOOTING SIDE & BOTTOM	3" CLR
FOOTING TOP	2" CLR
PIER ALL SIDES	2" CLR

A/E PLEASE VERIFY FOOTING TOP COVER

**ALL BARS IN THIS DRAWING  
 ASTM A615 GRADE 60  
 BLACK UNCOATED**

Bar Mark	Qty	Size	Total Length	Type	X	Y	Z	W	V	U	T	S	R	Q	P	O	N	M	L	K	J	I	H	G	F	E	D	C	B	A	
4C01	36	#4	3'-11"	19	0'-4 1/2"	2'-4"																									
4C02	18	#4	7'-3"	11	0'-4 1/2"	0'-11"	2'-4"	0'-11"	2'-4"																						
4C03	18	#4	10'-1"	11	0'-4 1/2"	2'-4"	2'-4"	2'-4"	2'-4"																						
4C04	108	#4	4'-5"	19	0'-4 1/2"	3'-5"																									
4C05	27	#4	10'-2"	11	0'-4 1/2"	1'-0 1/2"	3'-8"	1'-0 1/2"	3'-8"																						
4C06	27	#4	15'-9 1/2"	11	0'-4 1/2"	2'-10 1/2"	3'-8"	2'-10 1/2"	3'-8"																						
4C07	27	#4	15'-5"	11	0'-4 1/2"	3'-8"	3'-8"	3'-8"	3'-8"																						
5C01	68	#5	7'-0 1/2"	25	1'-5"	1'-8 1/2"	0'-8"	1'-8 1/2"	1'-8"	1'-8"																					
6C01	48	#6	8'-4 1/2"	2	1'-8"	7'-4 1/2"																									
6C02	36	#6	8'-8 1/2"	2	1'-4"	7'-4 1/2"																									
10C01	36	#10	40'-0"	2	1'-10"	38'-2"																									
10C03	70	#10	17'-11 1/2"	2	1'-10"	14'-3 1/2"																									
10C04	70	#10	18'-2"	2	1'-10"	14'-5"																									
10C05	36	#10	22'-2"	2	1'-10"	20'-4"																									



CLASS B 4,500 psi UNO		OTHER BARS	
#3	24"	#3	19"
#4	32"	#4	24"
#5	39"	#5	30"
#6	46"	#6	36"
#7	67"	#7	52"
#8	77"	#8	59"
#9	86"	#9	67"
#10	95"	#10	73"
#11	104"	#11	81"
#14		#14	

REV NO	DATE	SENT FOR	REV NO	DATE	SENT FOR
0	08.08.22	APPROVAL			

**REBAR GRADE 60 ASTM A-615**

**SPLICES USED**

**ABBREVIATIONS**

**BAR MARK SIZE EQUIVALENT**

Imperial	Soft Metric
#3	#10
#4	#13
#5	#16
#6	#19
#7	#22
#8	#25
#9	#29
#10	#32
#11	#36

**STA PHARMACEUTICAL MIDDLETOWN EXPANSION DP-1**  
 DP-1 BUILDING SECTOR 3 PAD FOOTING & PIER REINFORCEMENT DETAILS  
**MIDDLETOWN, DE 19709**

CUSTOMER: -  
 DESIGNER: -

DRAWN BY	DATE	JOB NO	SHEET NO.
JSN/MET	08.08.22	-	R06