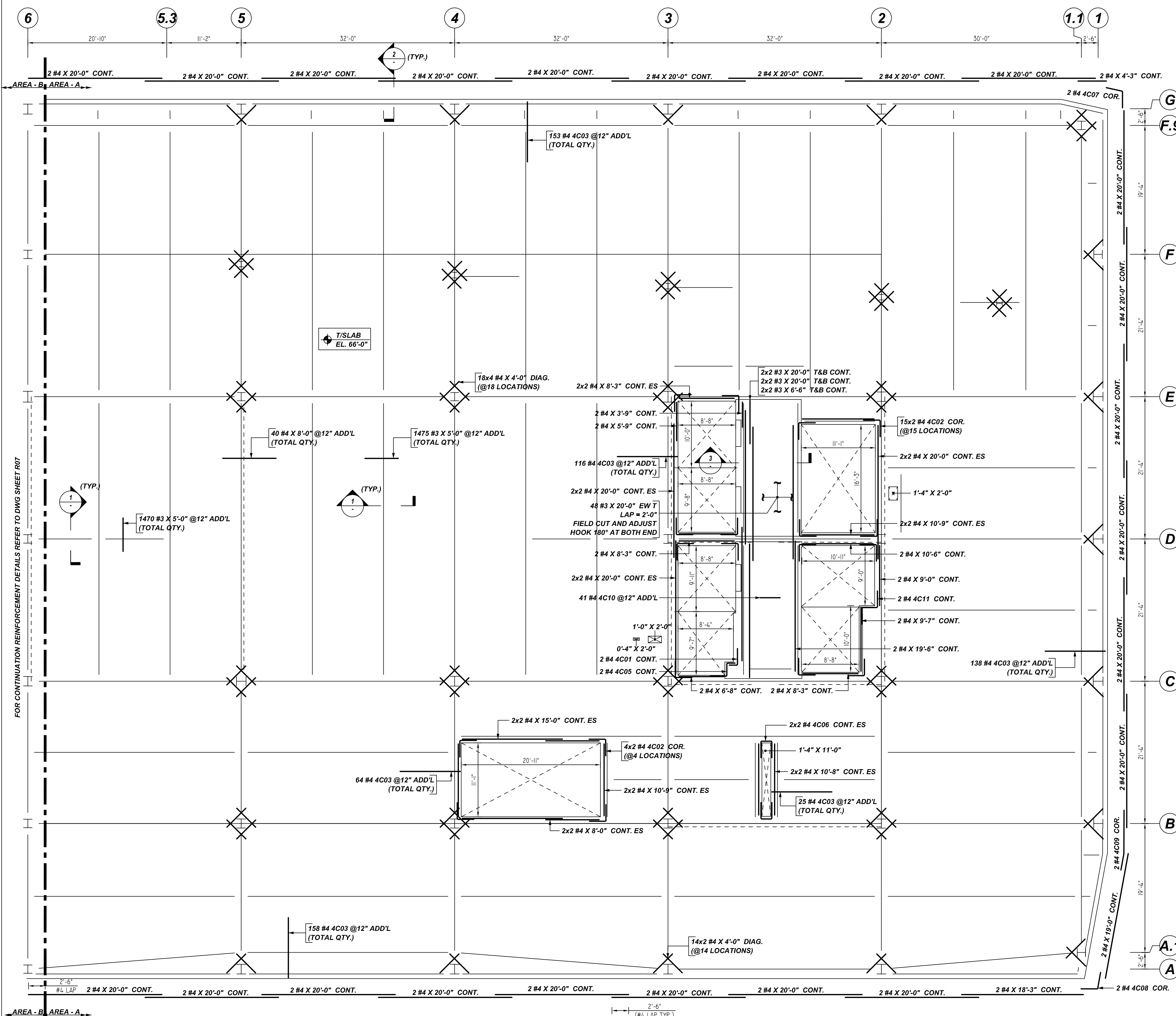


NOTICE

SHORTAGES, IMPROPER FABRICATION OR CLAIMS FOR ANY OTHER REASON MUST BE REPORTED TO THIS COMPANY WITHIN 10 DAYS FROM ORIGINAL DELIVERY. THIS COMPANY ALSO RESERVES THE RIGHT TO FIELD INSPECT MATERIALS PRIOR TO REPLACEMENT OR RECONDITIONING OF MATERIALS AND WILL NOT BE LIABLE FOR CHARGES FROM WORK DONE IN THE FIELD WITHOUT PRIOR AUTHORIZATION FROM THIS COMPANY.

REINFORCING STEEL PLACING DRAWING ONLY. USE IN CONJUNCTION WITH CONTRACT DRAWINGS & SPECIFICATIONS. ELEVATIONS & DIMENSIONS SHOWN ON DRAWING ARE FOR DETAILING PURPOSES ONLY AND SHOULD NOT BE USED FOR CONSTRUCTION UNLESS VERIFIED BY ENGINEER OR CONTRACTOR.



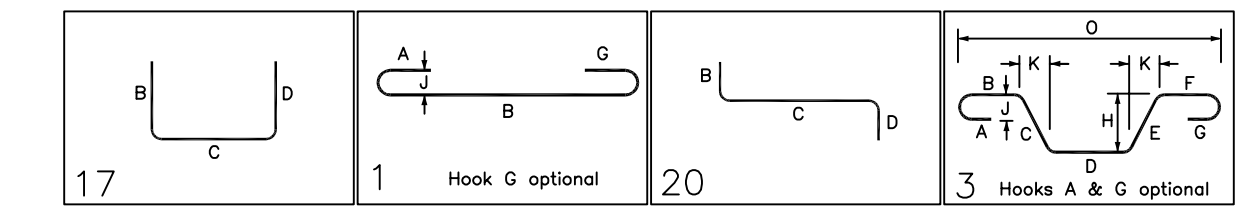
FOR CONTINUATION REINFORCEMENT DETAILS REFER TO DWG SHEET R07

LEVEL-3 AREA-A SLAB ON DECK REINFORCEMENT DETAILS

REF: S2.2.3A & S4.0.4
SCALE: 1/8"=1'-0"

A/E PLEASE VERIFY BAR ARRANGEMENT FIELD CUT & ADJUST

Bar Mark	Qty	Size	Total Length	Type	X'	Y'	X''	Y''	X'''	Y'''	X''''	Y''''
4001	2	#4	3'-9"	17			2'-6"	1'-3"				
4002	38	#4	5'-0"	17			2'-6"	2'-6"				
4003	654	#4	9'-6"	1			0'-6"	9'-0"				
4005	2	#4	5'-9"	20			2'-6"	2'-0"	1'-3"			
4006	4	#4	5'-9"	17			2'-6"	1'-3"	2'-6"			
4007	2	#4	4'-11 1/2"	3			2'-6"	2'-5 1/2"			2'-5 1/2"	0'-4 1/2"
4008	2	#4	4'-11 1/2"	3			2'-6"	2'-5 1/2"			2'-5 1/2"	0'-4 1/2"
4009	2	#4	8'-11 1/2"	3			6'-6"	2'-5 1/2"			0'-5 1/2"	2'-5 1/2"
4010	4	#4	3'-6"	1			0'-6"	3'-0"			0'-4"	
4011	2	#4	7'-4"	20			2'-6"	2'-4"	2'-6"			



A/E PLEASE VERIFY COVER VALUE (TYP.)

TYPICAL REINFORCING BAR CLEARANCE TABLE	
LOCATION	MIN. COVER
SLAB TOP & BOTTOM	2" CLR
SLAB EDGE	2" CLR

A/E PLEASE VERIFY LAP VALUE (TYP.)

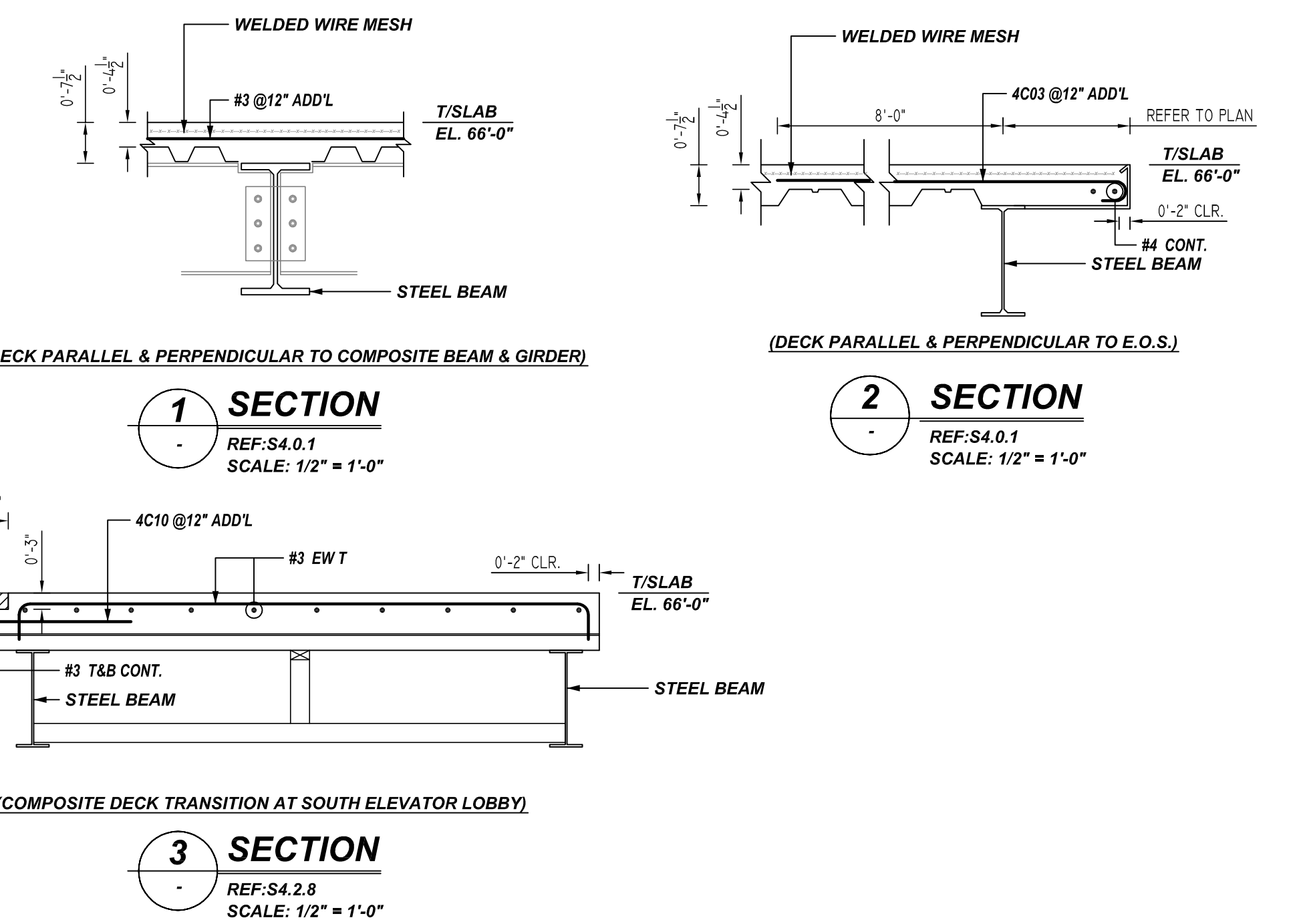
LAP SCHEDULE

4000 PSI (CLASS-B) CASE - 1
Per ACI 318 (12.2.2)

BAR#	LENGTHS	
	TOP	OTHERS
#3	2'-0"	1'-7"
#4	2'-8"	2'-1"
#5	3'-4"	2'-7"
#6	4'-0"	3'-1"
#7	5'-10"	4'-6"
#8	6'-8"	5'-2"
#9	7'-7"	5'-10"
#10	8'-6"	6'-7"
#11	9'-5"	7'-3"

ALL TOP BARS ARE DEFINED AS HORIZ BARS WITH MORE THAN 12" OF CONCRETE BELOW BARS.

**ALL BARS IN THIS DRAWING
ASTM A615 GRADE 60
BLACK UNCOATED**



REBAR GRADE 60 ASTM A-615

SPLICES USED		ABBREVIATIONS		BAR MARK SIZE EQUIVALENT	
CLASS B 4,000 psi UNO				Imperial	Soft Metric
TOP BARS	OTHER BARS	ADD.	Additional	#3	#10
#3	#3	B.O.W.	Bottom of wall	#4	#13
#4	#4	C.B.	Corner Bars	#5	#16
#5	#5	DIAG.	Diagonal	#6	#19
#6	#6	D.O.	Door Opening	#7	#22
#7	#7	D.W.L.S.	Dowels	#8	#25
#8	#8	E.F.	Each Face	#9	#29
#9	#9	E.S.	Each Side	#10	#32
#10	#10	E.W.	Each Way	#11	#36
#11	#11	FTG.	Footing		
#14	#14	F.F.	Far Face		
		HORIZ.	Horizontal		
		I.F.	Inside Face		
		INTERS.	Intersection		
		L.W.	long Way		
		N.F.	Near Face		
		O.F.	Outside Face		
		S.W.	Short Way		
		T&B	Top & Bottom		
		T.O.W.	Top of Wall		
		Trans.	Transverse		
		VERT.	Vertical		

VIRGINIA TECH
LEVEL-3 AREA-A SLAB ON DECK REINFORCEMENT DETAILS
ALEXANDRIA, VIRGINIA

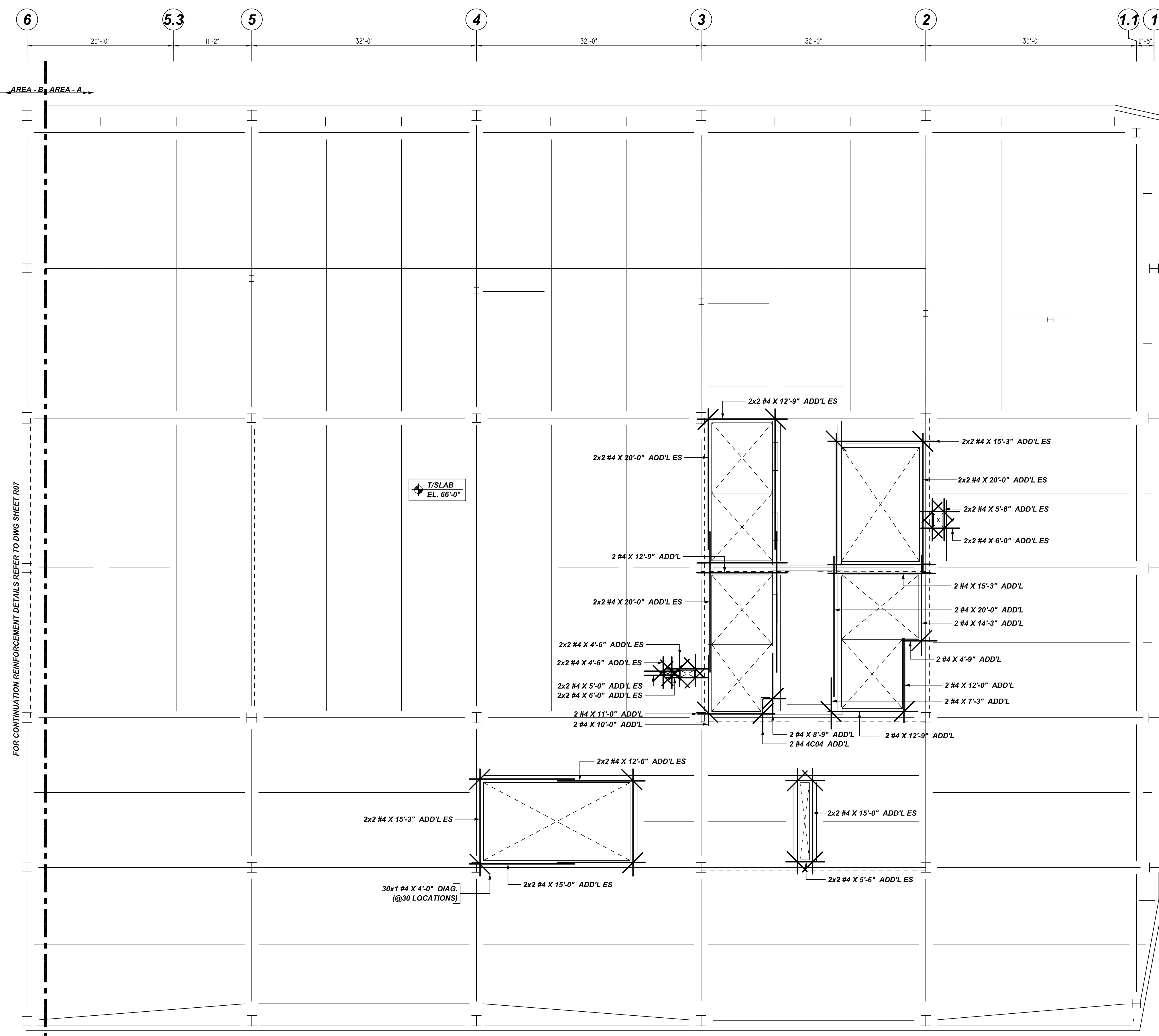
CUSTOMER: -
DESIGNER: A&F ENGINEERS

REV NO	DATE	APPROVAL	REV NO	DATE	SENT FOR	DRAWN BY	DATE	JOB NO	SHEET NO.
0	04.13.22	APPROVAL				GOM/MET	04.13.22	-	R05

NOTICE

SHORTAGES, IMPROPER FABRICATION OR CLAIMS FOR ANY OTHER REASON MUST BE REPORTED TO THIS COMPANY WITHIN 10 DAYS FROM ORIGINAL DELIVERY. THIS COMPANY ALSO RESERVES THE RIGHT TO FIELD INSPECT MATERIALS PRIOR TO REPLACEMENT OR RECONDITIONING OF MATERIALS AND WILL NOT BE LIABLE FOR CHARGES FROM WORK DONE IN THE FIELD WITHOUT PRIOR AUTHORIZATION FROM THIS COMPANY.

REINFORCING STEEL PLACING DRAWING ONLY. USE IN CONJUNCTION WITH CONTRACT DRAWINGS & SPECIFICATIONS. ELEVATIONS & DIMENSIONS SHOWN ON DRAWING ARE FOR DETAILING PURPOSES ONLY AND SHOULD NOT BE USED FOR CONSTRUCTION UNLESS VERIFIED BY ENGINEER OR CONTRACTOR.



Release Number: R06

Bar Mark	Qty	Size	Total Length	Type	X	Y	Z	W	V	U	T	S	R	Q	P	O	N	M	L	K	J	I	H	G	F	E	D	C	B	A
4004	2	#4	7'-8"	17				4'-5"																						

A/E PLEASE VERIFY COVER VALUE (TYP.)

TYPICAL REINFORCING BAR CLEARANCE TABLE	
LOCATION	MIN. COVER
SLAB TOP & BOTTOM	2" CLR
SLAB EDGE	2" CLR

**ALL BARS IN THIS DRAWING
ASTM A615 GRADE 60
BLACK UNCOATED**

A/E PLEASE VERIFY LAP VALUE (TYP.)

LAP SCHEDULE
4000 PSI (CLASS-B) CASE - 1
Per ACI 318 (12.2.2)

BAR#	LENGTHS	
	TOP	OTHERS
#3	2'-0"	1'-7"
#4	2'-8"	2'-1"
#5	3'-4"	2'-7"
#6	4'-0"	3'-1"
#7	5'-10"	4'-6"
#8	6'-8"	5'-2"
#9	7'-7"	5'-10"
#10	8'-6"	6'-7"
#11	9'-5"	7'-3"

ALL TOP BARS ARE DEFINED AS HORIZ BARS WITH MORE THAN 12" OF CONCRETE BELOW BARS.

FOR CONTINUATION REINFORCEMENT DETAILS REFER TO DWG SHEET R07

LEVEL-3 AREA-A SLAB ON DECK REINFORCEMENT DETAILS
REF: S2.2.3A & S4.0.4
SCALE: 1/8"=1'-0"

A/E PLEASE VERIFY BAR ARRANGEMENT FIELD CUT & ADJUST

REBAR GRADE 60 ASTM A-615

SPLICES USED		ABBREVIATIONS		BAR MARK SIZE EQUIVALENT	
CLASS B 4,000 psi UNO				Imperial	Soft Metric
TOP BARS	OTHER BARS	ADD.	= Additional	#3	#10
#3	#3	B.O.W.	= Bottom of wall	#4	#13
#4	#4	C.B.	= Corner Bars	#5	#16
#5	#5	DIAG.	= Diagonal	#6	#19
#6	#6	D.O.	= Door Opening	#7	#22
#7	#7	DWLS.	= Dowels	#8	#25
#8	#8	E.F.	= Each Face	#9	#29
#9	#9	E.S.	= Each Side	#10	#32
#10	#10	E.W.	= Each Way	#11	#36
#11	#11	FTG.	= Footing		
#14	#14	F.F.	= Far Face		
		HORIZ.	= Horizontal		
		I.F.	= Inside Face		
		INTERS.	= Intersection		
		L.W.	= long Way		
		N.F.	= Near Face		
		O.F.	= Outside Face		
		S.W.	= Short Way		
		T&B	= Top & Bottom		
		T.O.W.	= Top of Wall		
		Trans.	= Transverse		
		VERT.	= Vertical		

VIRGINIA TECH
LEVEL-3 AREA-A SLAB ON DECK REINFORCEMENT DETAILS
ALEXANDRIA, VIRGINIA

CUSTOMER: -
DESIGNER: A&F ENGINEERS

REV NO	DATE	SENT FOR	REV NO	DATE	SENT FOR
0	04.13.22	APPROVAL			

DRAWN BY	DATE	JOB NO	SHEET NO.
GOM/MET	04.13.22	-	R06